

TESLA

COMBI FRIDGE FREEZER NO-FROST

RC2600ME
RC2600MXE

User Manual

ENG

AL

BG

HR

HU

MK

RO

SLO

SRB



Product images are for illustrative purposes only and may differ from the actual product.

SAFETY WARNINGS

- THIS appliance is intended to be used in household and similar applications such as staff kitchen areas in shops, offices and other working environments; farm houses and by clients in hotels, motels and other residential type environments; bed and breakfast type environments; catering and similar nonretail applications.
- THIS appliance is not intended for use by persons (including children) with reduced physical, sensory or mental capabilities, or lack of experience and knowledge, unless they have been given supervision or instruction concerning use of the appliance by a person responsible for their safety.)
- CHILDREN should be supervised to ensure that they do not play with the appliance. If the supply cord is damaged, it must be replaced by the manufacturer, its service agent or similarly qualified persons in order to avoid a hazard.
- DO not store explosive substances such as aerosol cans with a flammable propellant in this appliance.
- THE appliance has to be unplugged after use and before carrying out user maintenance on the appliance.
- Keep ventilation openings, in the appliance enclosure or in the built-in structure, clear of obstruction.
- Do not use mechanical devices or other means to accelerate the defrosting process, other than those recommended by the manufacturer.
- Do not damage the refrigerant circuit.
- Do not use electrical appliances inside the food storage compartments of the appliance, unless they are of the type recommended by the manufacturer.
- Please abandon the refrigerator according to local regulators for its use flammable blowing gas and refrigerant.
- When positioning the appliance, ensure the supply cord is not trapped or damaged.
- Do not locate multiple portable socket-outlets or portable power supplies at the rear of the appliance.
- DO not use extension cords or ungrounded (two prong) adapters.
- Risk of child entrapment. Before you throw away your old refrigerator or freezer:
 - Take off the doors.
 - Leave the shelves in place so that children may not easily climb inside.
- THE refrigerator must be disconnected from the source of electrical supply before attempting the installation of accessory.
- REFRIGERANT and cyclopentane foaming material used for the appliance are flammable. Therefore, when the appliance is scrapped, it shall be kept away from any fire source and be recovered by a special recovering company with corresponding qualification other than be disposed by combustion, so as to prevent damage to the environment or any other harm.
- This appliance can be used by children aged from 8 years and above and persons with reduce physical sensory or mental capabilities or lack of experience and knowledge if they have been given supervision or instruction concerning use of the appliance in a safe way and understand the hazards involved. Children shall not play with the appliance. Cleaning and user maintenance shall not be made by children without supervision. Children aged from 3 to 8 years are allowed to load and unload refrigerating appliances.
- THE necessity that, for doors or lids fitted with locks and keys, the keys be kept out of the reach of children and not in the vicinity of the refrigerating appliance, in order to prevent children from being locked inside .
- TO avoid contamination of food, please respect the following instructions:
 - Opening the door for long periods can cause a significant increase of the temperature in the compartments of the appliance.
 - Clean regularly surfaces that can come in contact with food and accessible drainage systems.
 - Clean water tanks if they have not been used for 48 h; flush the water system connected to a water supply if water has not been drawn for 5 days. (note 1)
 - Store raw meat and fish in suitable containers in the refrigerator, so that it is not in contact with or drip onto other food.
 - Two-star frozen-food compartments are suitable for storing pre-frozen food, storing or making ice-cream and making ice cubes. (note 2)
 - One-, two- and three-star compartments are not suitable for the freezing of fresh food. (note 3)
 - For appliances without a 4-star compartment: this refrigerating appliance is not suitable for freezing foodstuffs.(note 4)
 - If the refrigerating appliance is left empty for long periods, switch off, defrost, clean, dry, and leave the door open to prevent mould developing within the appliance.
- Note 1,2,3,4: Please confirm whether it is applicable according to your product compartment type.
- FOR a freestanding appliance: this refrigerating appliance is not intended to be used as a built-in appliance.
- ANY replacement or maintenance of the LED lamps is intended to be made by the manufacturer, its service agent or similar qualified person.
- This product contains a light source of energy efficiency class (F).

Meaning of safety warning symbols



This is a prohibition symbol. Any incomppliance with instructions marked with this symbol may result in damage to the product or endanger the personal safety of the user.



This is a warning symbol. It is required to operate in strict observance of instructions marked with this symbol; or otherwise damage to the product or personal injury may be caused.



This is a cautioning symbol. Instructions marked with this symbol require special caution. Insufficient caution may result in slight or moderate injury, or damage to the product.

This manual contains lots of important safety information which shall be observed by the users.

Electricity related warnings

- Do not pull the power cord when pulling the power plug of the refrigerator. Please firmly grasp the plug and pull out it from the socket directly.
- To ensure safe use, do not damage the power cord or use the power cord when it is damaged or worn.
- Please use a dedicated power socket and the power socket shall not be shared with other electrical appliances.
The power plug should be firmly contacted with the socket or else fires might be caused.
- Please ensure that the grounding electrode of the power socket is equipped with a reliable grounding line.
- Please turn off the valve of the leaking gas and then open the doors and windows in case of leakage of gas and other flammable gases. Do not unplug the refrigerator and other electrical appliances considering that spark may cause a fire.
- Do not use electrical appliances on the top of the appliance, unless they are of the type recommended by the manufacturer.

Warnings for using

- Do not arbitrarily disassemble or reconstruct the refrigerator, nor damage the refrigerant circuit; maintenance of the appliance must be conducted by a specialist.
- Damaged power cord must be replaced by the manufacturer, its maintenance department or related professionals in order to avoid danger.
- The gaps between refrigerator doors and between doors and refrigerator body are small, be noted not to put your hand in these areas to prevent from squeezing the finger. Please be gentle when open the refrigerator door to avoid falling articles.
- Do not pick foods or containers with wet hands in the freezing chamber when the refrigerator is running, especially metal containers in order to avoid frostbite.
- Do not allow any child to get into or climb the refrigerator; otherwise suffocation or falling injury of the child may be caused.
- Do not place heavy objects on the top of the refrigerator considering that objectives may fall when close or open the door, and accidental injuries might be caused.
- Please pull out the plug in case of power failure or cleaning. Do not connect the freezer to power supply within five minutes to prevent damages to the compressor due to successive starts.

Warnings for placement

- Do not put flammable, explosive, volatile and highly corrosive items in the refrigerator to prevent damages to the product or fire accidents.
- Do not place flammable items near the refrigerator to avoid fires.
- The refrigerator is intended for household use, such as storage of foods; it shall not be used for other purposes, such as storage of blood, drugs or biological products, etc.
- Do not store beer, beverage or other fluid contained in bottles or enclosed containers in the freezing chamber of the refrigerator; otherwise the bottles or enclosed containers may crack due to freezing to cause damages.

Warnings for energy

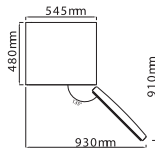
1. Refrigerating appliances might not operate consistently (possibility of defrosting of contents or temperature becoming too warm in the frozen food compartment) when sited for an extended period of time below the cold end of the range of temperatures for which the refrigerating appliance is designed.
2. The fact that effervescent drinks should not be stored in food freezer compartments or cabinets or in low-temperature compartments or cabinets, and that some products such as water ices should not be consumed too cold;
3. The need to not exceed the storage time(s) recommended by the food manufacturers for any kind of food and particularly for commercially quick-frozen food in food-freezer and frozen-food storage compartments or cabinets;
4. The precautions necessary to prevent an undue rise in the temperature of the frozen food while defrosting the refrigerating appliance, such as wrapping the frozen food in several layers of newspaper.
5. The fact that a rise in temperature of the frozen food during manual defrosting, maintenance or cleaning could shorten the storage life.

PROPER USE OF REFRIGERATORS

Placement

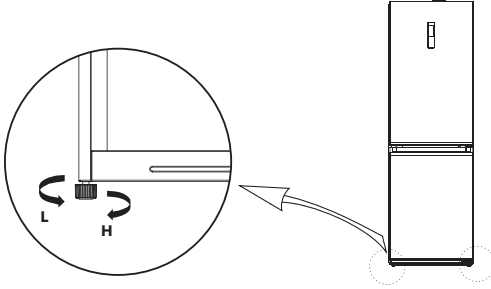
- Before use, remove all packing materials, including bottom cushions, foam pads and tapes inside of the refrigerator; tear off the protective film on the doors and the refrigerator body.
- Keep away from heat and avoid direct sunlight. Do not place the freezer in moist or watery places to prevent rust or reduction of insulating effect.
- Do not spray or wash the refrigerator; do not put the refrigerator in moist places easy to be splashed with water so as not to affect the electrical insulation properties of the refrigerator.
- The refrigerator is placed in a well-ventilated indoor place; the ground shall be flat, and sturdy (rotate left or right to adjust the wheel for leveling if unstable).
- The top space of the refrigerator shall be greater than 30cm, and The refrigerator should be placed against a wall with a free distance more than 10cm to facilitate heat dissipation.

- Spare enough space for convenient opening of the doors and drawers.



The picture above is only for reference. The actual configuration will depend on the physical product or statement by the distributor.

Levelling feet







The picture above is only for reference. The actual configuration will depend on the physical product or statement by the distributor.

Adjusting procedures:

- Turn the feet clockwise to raise the refrigerator;
- Turn the feet counterclockwise to lower the refrigerator;
- Adjust the right and left feet based on the procedures above to a horizontal level.

Door right-left change

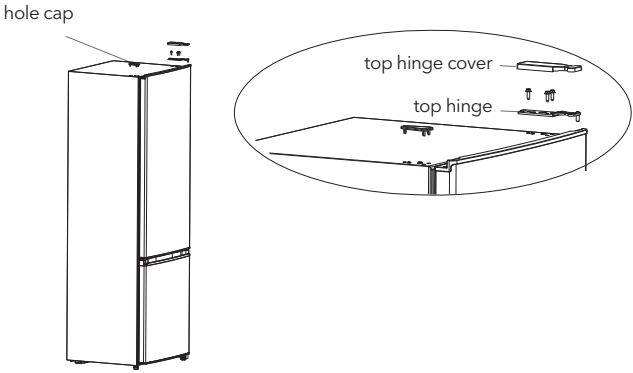
List of tools to be provided by the user

	Cross screwdriver		Putty knife thin-blade screwdriver
	5/16" socket and ratchet		Masking tape

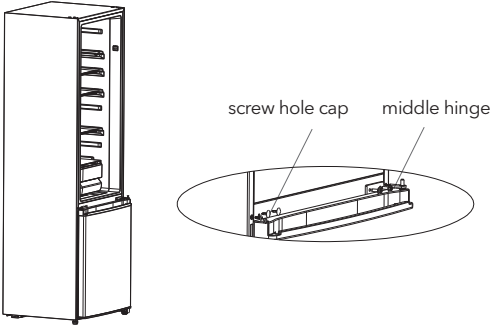
Parts to be used for door reverse

SN	Part	Quantity	Notes
1	Right upper hinge	1	Pre-installed on the refrigerator, still used when door is reversed
2	Upper hinge screw	3	Pre-installed on the refrigerator and to be used when changing the door
3	Middle hinge screw	2	Pre-installed on the refrigerator and to be used when changing the door
4	Middle hinge	1	Pre-installed on the refrigerator and to be used when changing the door
5	Hole plug	2	Pre-installed on the refrigerator and to be used when changing the door
6	Adjustable foot	1	Pre-installed on the refrigerator and to be used when changing the door
7	Lower hinge screw	3	Pre-installed on the refrigerator and to be used when changing the door
8	Lower hinge assembly	1	Pre-installed on the refrigerator and to be used when changing the door
9	Lower end cover screw of freezing door	1	Pre-installed on the refrigerator and to be used when changing the door
10	Lower end cover limiting block of freezing door	1	Pre-installed on the refrigerator and to be used when changing the door
11	Lower end cover screw of refrigerator door	1	Pre-installed on the refrigerator and to be used when changing the door
12	Refrigerator door right stopper	1	Pre-installed on the refrigerator and to be used when changing the door
13	Refrigerator door left stopper	1	In the attached plastic bag, take them out for use when door is reversed

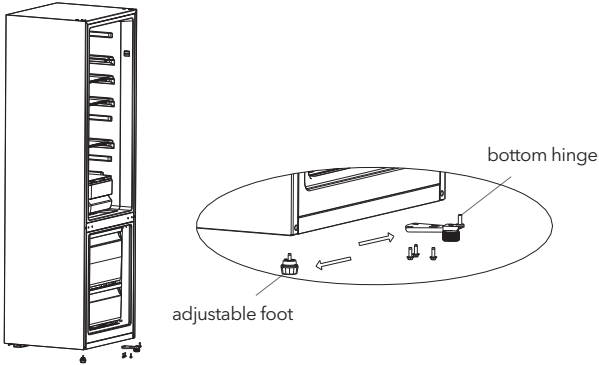
- 1. Remove all food from the inner door liner.
- 2. Dismantle top hinge cover, top hinge and hole cap of the other side



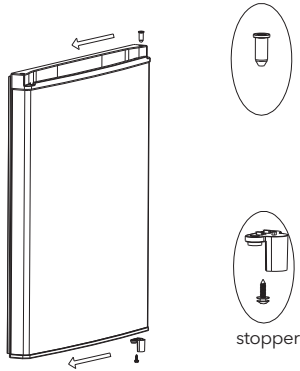
- 3. Remove the refrigerator door, middle hinge, and screw hole caps of the other side.



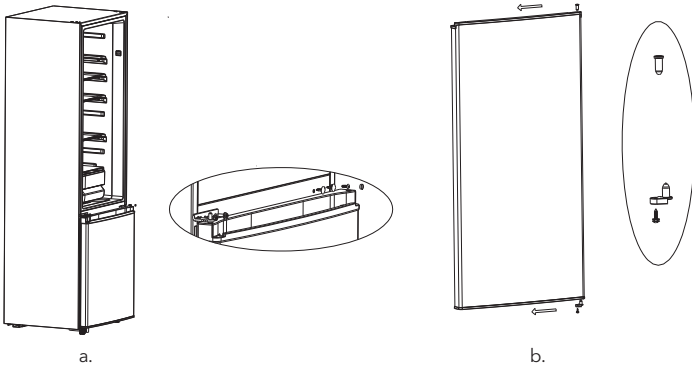
- 4. Remove the freezer door and dismantle bottom hinge and left adjustable foot. Exchange the installation position of bottom hinge and adjustable foot, and fix the bottom hinge by fitting screws.



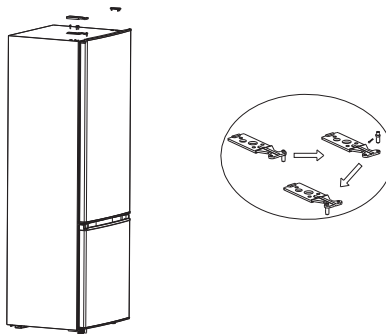
5. Dismantle the door stopper of freezer door, and install it on other side by fitting screw.



6. Put the freezer door on bottom hinge, then install the middle hinge and screw hole caps (a). Dismantle the door stopper of refrigerator door, and install it on other side by fitting screw (b).



7. Change the installation position of top hinge shaft as shown as below, then put the refrigerator door on middle hinge, and fix the top hinge by fitting screws, finally to install the top hinge cover and hole cap.



Changing the Light

Any replacement or maintenance of the LED lamps is intended to be made by the manufacturer, its service agent or similar qualified person.

Starting

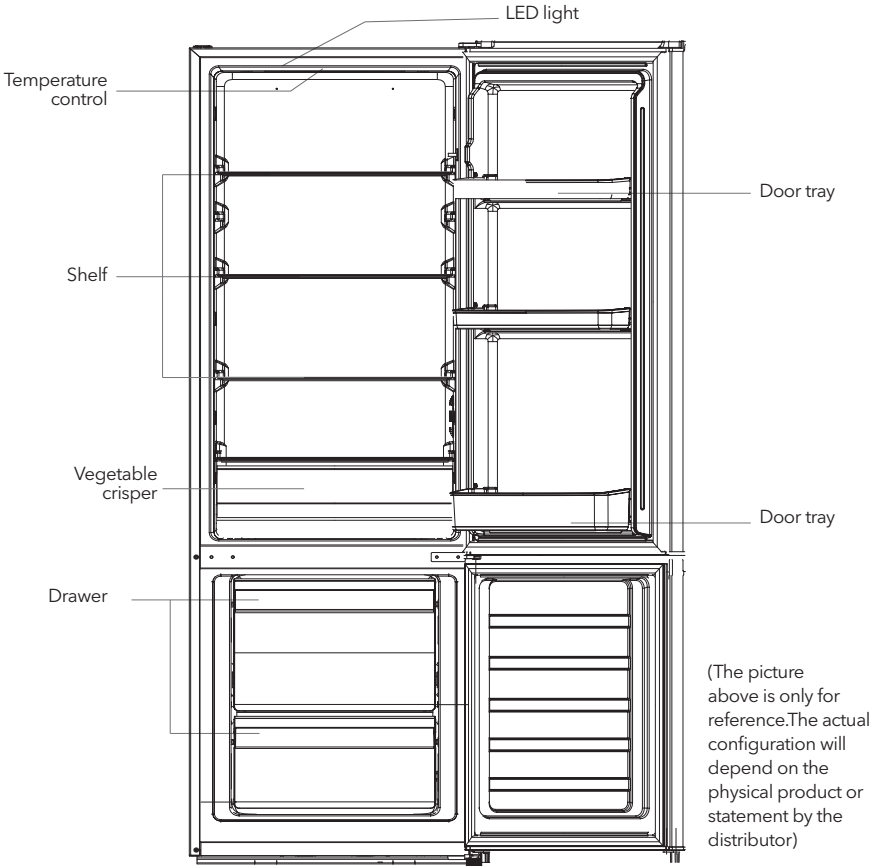
- After transportation, please let the product stay for more than 2 hours before turning on the power, otherwise it will lead to a decrease in cooling capacity or a damage to the product.
- Before putting any fresh or frozen foods, the refrigerator shall have run for 2-3 hours, or for above 4 hours in summer when the ambient temperature is high.
- Please pull out the plug in case of power failure or cleaning. Do not connect the freezer to power supply within five minutes to prevent damages to the compressor due to successive starts.

Energy saving tips

- The appliance should be located in the coolest area of the room, away from heat producing appliances or heating ducts, and out of the direct sunlight.
- Let hot foods cool to room temperature before placing in the appliance. Overloading the appliance forces the compressor to run longer. Foods that freeze too slowly may lose quality, or spoil.
- Be sure to wrap foods properly, and wipe containers dry before placing them in the appliance. This cuts down on frost build-up inside the appliance.
- Appliance storage bin should not be lined with aluminum foil, wax paper, or paper toweling. Liners interfere with cold air circulation, making the appliance less efficient.
- Organize and label food to reduce door openings and extended searches. Remove as many items as needed at one time, and close the door as soon as possible.

STRUCTURE AND FUNCTIONS

Key components



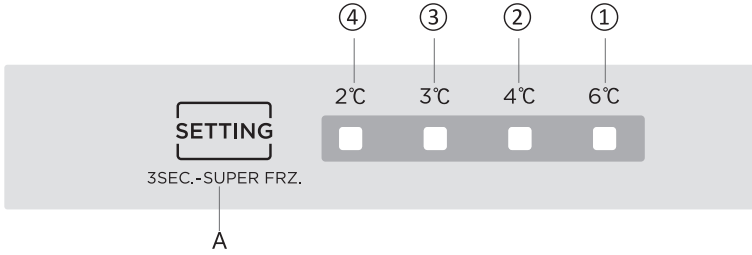
Refrigerating chamber

- The Refrigerating Chamber is suitable for storage of a variety of fruits, vegetables, beverages and other food consumed in the short term. Suggested storage time 3 days to 5 days.
- Cooking foods shall not be put in the refrigerating chamber until cooled to room temperature.
- Foods are recommended to be sealed up before putting into the refrigerator.
- The glass shelves can be adjusted up or down for a reasonable amount of storage space and easy use.

Freezing chamber

- The low temperature freezing chamber may keep food fresh for a long time and it is mainly used to store frozen foods and making ice.
- The freezing chamber is suitable for storage of meat, fish, rice balls and other foods not to be consumed in short term.
- Chunks of meat are preferably to be divided into small pieces for easy access. Please be noted food shall be consumed within the shelf time.
- Drawers, food boxes, shelves, etc. placed according to the position in the picture above are the most energy efficient.

Functions



The picture above is only for reference. The actual configuration will depend on the physical product or statement by the distributor.

1. Key

A. Set key (Temperature setting button of refrigerator compartment)

2. Display screen

LED ① setting 1: 6°C

LED ② setting 2: 4°C

LED ③ setting 3: 4°C

LED ④ setting 4: 2°C

3. Display

Once initially powered on, the display screen is on full display for 3s. and then the refrigerator runs according to setting 2 (4°C).

In case of a failure, the corresponding LED blinks.

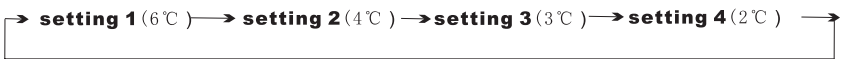
In case of no failures, it shows the actual temperature setting of refrigerator.

Fault Code	Fault Description
LED ①	Ambient temperature sensor
LED ③	Refrigerator defrost sensor
LED ④	Refrigerator temperature sensor circuit

4. Temperature setting

Each time the temperature setting button A is pressed once, the temperature setting changes one time. After the temperature setting has been completed, the refrigerator will run according to the set value after 30s.

The shift regulation is:

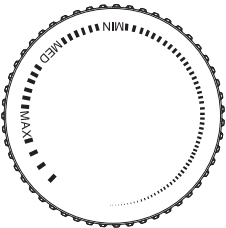


5. Super freeze mode

Long press temperature setting key for 3s, after the LED ② and LED ③ lighting for 30s, it will enter into Super freeze mode.

Long press temperature setting key for 3s could cancel Super freeze mode.

Temperature control



- Turn the temperature control knob to MAX, the internal temperature of the refrigerator becomes lower.
- Turn the temperature control knob to MIX, the internal temperature of the refrigerator becomes higher.
- Please adjust the temperature between "MAX" and "MIN".

MAINTENANCE AND CARE OF THE REFRIGERATOR

Overall cleaning

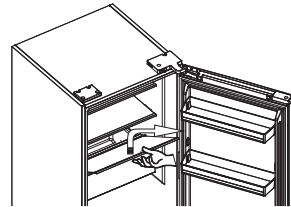
- Dusts behind the refrigerator and on the ground shall be timely cleaned to improve the cooling effect and energy saving.
- Check the door gasket regularly to make sure there are no debris. Clean the door gasket with a soft cloth dampened with soapy water or diluted detergent.
- The interior of the refrigerator should be cleaned regularly to avoid odor.
- Please turn off the power before cleaning interior, remove all foods, drinks ,shelves, drawers, etc.
- Use a soft cloth or sponge to clean the inside of the refrigerator, with two tablespoons of baking soda and a quart of warm water. Then rinse with water and wipe clean. After cleaning, open the door and let it dry naturally before turning on the power.
- For areas that are difficult to clean in the refrigerator (such as narrow sandwiches, gaps or corners), it is recommended to wipe them regularly with a soft rag, soft brush, etc. and when necessary, combined with some auxiliary tools (such as thin sticks) to ensure no contaminants or bacterials accumulation in these areas.
- Do not use soap, detergent, scrub powder, spray cleaner, etc., as these may cause odors in the interior of the refrigerator or contaminated food.
- Clean the bottle frame, shelves and drawers with a soft cloth dampened with soapy water or diluted detergent. Dry with a soft cloth or dry naturally.
- Wipe the outer surface of the refrigerator with a soft cloth dampened with soapy water, detergent, etc., and then wipe dry.
- Do not use hard brushes, clean steel balls, wire brushes, abrasives (such as toothpastes), organic solvents (such as alcohol, acetone, banana oil, etc.), boiling water, acid or alkaline items, which may damage the fridge surface and interior. Boiling water and organic solvents such as benzene may deform or damage plastic parts.
- Do not rinse directly with water or other liquids during cleaning to avoid short circuits or affect electrical insulation after immersion.



Please unplug the refrigerator for defrost and cleaning.

Cleaning the glass shelf

- Remove the drawer on the glass shelf;
- Lift up the front of glass shelf (about 60°), and then pull out;
- Remove the glass shelf and clean as needed;
- The reverse operation is for installation of glass shelf.



Defrosting

- Power off the refrigerator.
- Remove the food from the refrigerator and place it properly to prevent food from melting.
- Clear the drain pipe (to use soft materials to prevent damage to the liner), Prepare the water containers for defrosting.(pay attention to clean the compressor compartment water draining tray,Avoding overflow to the ground).
- You can use the natural temperature for the natural defrost, you can also use the ice shovel to eliminate the frost (to use plastic or wooden ice shovel, for avoding damage to the liner or pipe) You can also use the appropriate amount of hot water to speed up the defrost, with a dry towel to dry the water after defrosting.
- After defrosting, put back the foods in cabinet , and power on the refrigerator.

Out of operation

- Power failure: In case of power failure, even if it is in summer, foods inside the appliance can be kept for several hours; during the power failure, the times of door opening shall be reduced, and no more fresh food shall be put into the appliance.
- Long-time nonuse: The appliance shall be unplugged and then cleaned; then the doors are left open to prevent odor.
- Moving: Before the refrigerator is moved, take all objects inside out, fix the glass partitions, vegetable holder, freezing chamber drawers and etc. with tape, and tighten the levelling feet; close the doors and fix them with tape. During moving, the appliance shall not be laid upside down or horizontally, or be vibrated; the inclination during movement shall be no more than 45°.



The appliance shall run continuously once it is started. Generally, the operation of the appliance shall not be interrupted; otherwise the service life may be impaired.

TROUBLESHOOTING

You may try to solve the following simple problems by yourself.
If them cannot be solved, please contact the after-sales department.

Failed operation	Check whether the appliance is connected to power or whether the plug is in well contact Check whether the voltage is too low Check whether there is a power failure or partial circuits have tripped
Odor	Odorous foods shall be tightly wrapped Check whether there is any rotten food Clean the inside of the refrigerator
Long-time operation of the compressor	Long operation of the refrigerator is normal in summer when the ambient temperature is high It is not suggestible having too much food in the appliance at the same time Food shall get cool before being put into the appliance The doors are opened too frequently
Light fails to get lit	Check whether the refrigerator is connected to power supply and whether the illuminating light is damaged
Doors cannot be properly closed	The door is stuck by food packages The refrigerator is tilted
Loud noise	Check whether the floor is level and whether the refrigerator is placed stably Check whether accessories are placed at proper locations
Door seal fails to be tight	Remove foreign matters on the door seal Heat the door seal and then cool it for restoration (or blow it with an electrical drier or use a hot towel for heating)
Water pan overflows	There is too much food in the chamber or food stored contains too much water, resulting in heavy defrosting The doors are not closed properly, resulting in frosting due to entry of air and increased water due to defrosting
Hot housing	Heat dissipation of the built-in condenser via the housing, which is normal. When housing becomes hot due to high ambient temperature and storage of too much food, it is recommended to provide sound ventilation to facilitate heat dissipation.

Surface condensation	Condensation on the exterior surface and door seals of the refrigerator is normal when the ambient humidity is too high. Just wipe the condensate with a clean towel.
Abnormal noise	Buzz: The compressor may produce buzzes during operation, and the buzzes are loud particularly upon start or stop. This is normal. Creak: Refrigerant flowing inside of the appliance may produce creak, which is normal.

Warnings for disposal



Refrigerant and cyclopentane foaming material used for the refrigerator are flammable. Therefore, when the refrigerator is scraped, it shall be kept away from any fire source and \ be recovered by a special recovering company with corresponding qualification other than be disposed by combustion, so as to prevent damage to the environment or any other harm.



When the refrigerator is scraped, disassemble the doors, and remove gasket of door and shelves; put the doors and shelves in a proper place, so as to prevent trapping of any child.



Correct Disposal of this product:

This marking indicates that this product should not be disposed with other household wastes throughout the EU. To prevent possible harm to the environment or human health from uncontrolled waste disposal, recycle it responsibly to promote the sustainable reuse of material resources. To return your used device, please use the return and collection systems or contact the retailer where the product was purchased. They can take this product for environmental safe recycling.

PARALAJMËRIME TË SIGURISË

- KJO pajisje është menduar për po gjithçka përdor në anvisëri dhe të ngjashme aplikuar si çfarë gjithçka kuzhinat për Stafin në dyqane, zyra dhe të tjera duke punuar mjedise ; fermë shtëpitë dhe nga klientët në hotele, motele dhe të tjera mjedise nga banimi lloji; mjedise nga Lloji qëndrimi i natës dhe mëngjesi; katering dhe të ngjashme e pashitshme aplikacionet.
- KJO pajisje nuk është menduar për përdorni nga personat (përfshirë fëmijët) me reduktuar fizike, shqisore ose mendore aftësitë ose me mangësi në përvojë dhe dituria, përveç nëse nr marrë mbikëqyrjen ose udhëzimet në marrëdhënie me perdorimi në pajisja nga person përgjegjës për e tyre siguria.)
- FËMIJËT duhet po gjithçka mbikëqyrin për po gjithçka siguroj se nr ju jeni duke luajtur me pajisja. Nëse kabllon për furnizimi me energji elektrike është dëmtuar, ai duhet po të jetë zëvendësohet nga prodhuesi, i tij ushtaraku ose i ngjashëm i kualifikuar persona për po gjithçka shmangni rrezik.
- Nr mbaj eksplozive substancave si çfarë gjithçka aerosolet kanaçe me të ndezshme karburant në këtë pajisje.
- Pajisja duhet po gjithçka fik nga elektricitet pas përdorimi dhe më parë po gjithçka kryejnë miqësore për përdoruesit mirëmbajtjen në pajisja.
- Mbani ato hapjet për ventilim , në strehimin në pajisja ose në e integruara strukturë, pa pengesat.
- Nr përdorni mekanike pajisje ose të tjerët do të thotë për po atë shpejtoj procesi në shkrija, përveç ato rekomandohet nga prodhuesi.
- Nr atë dëmtimi qarku në lëngun për ftohje.
- Nr përdorni elektrike aparate në e brendshme në ndarjet për magazinimit ushqimi në pajisjen , përveç nëse nr gjithçka nga Lloji rekomandohet nga prodhuesi.
- Ve ju lutem largohen atë frigoriferi sipas ato lokale rregullatorët prandaj çfarë ai përdor u ndeza gazit çfarë goditjet dhe mjetet për ftohje.
- Kur atë ju vendosni pajisje, kontrolllo bëj kabllon për furnizimi me energji elektrike nuk është mbërthyer ose i dëmtuar.
- Nr ngritur më shumë portative shtojcat ose portative furnizimet me energji elektrike në shpina pjesë nga pajisja.
- Nr përdorni vazhdojnë kabllot ose e pabazuar adaptorë (dy këmbë).
- Rreziku nga kapjen në fëmijë. Përpara po atë flak tutje e vjetra frigorifer ose frigorifer:
 - Largohu ato dyert.
 - Lëreni ato raftet në vend për po nr ata munden fëmijet lehtë po gjithçka ata ngjiten brenda.
- Frigoriferi duhet po gjithçka fik nga burimi në elektrike energji përpara po gjithçka provoni po ngritur shtesë pajisje.
- Ftohësi (Freon) dhe materiali për shumë nga ciklopentani çfarë gjithçka ata perdorin për pajisja gjithçka i ndezshëm. Prandaj , kur pajisja është refuzuar, ai duhet po gjithçka mban larg nga çfarë lloj qoftë burimi në zjarri dhe po të jetë rinovuar nga e veçantë kompania për rikuperimi me të përshtatshme kualifikim përveç po gjithçka heq me djegie , për po gjithçka parandalojnë dëmtimi në kafsha mjedisi ose çfarë lloj qoftë një tjetër keqardhje.
- Këtë pajisje mund po atë ata perdorin fëmijët në mosha nga 8 vjeç e lart dhe persona me reduktuar fizikisht shqisore ose mendore aftësitë ose mangësi përvojë dhe njohuri nëse u jepet atyre mbikëqyrjen ose udhëzimet në marrëdhënie me perdorimi në pajisja në i sigurt mënyrë dhe nëse ato ata kuptojnë ata që janë të përfshirë rreziqet. Fëmijet nr qeshni po ju jeni duke luajtur me pajisja . Pastrimi dhe mirëmbajtja në perdoruesi nr qeshni po atë kryejnë fëmijët pa mbikëqyrje . Fëmijët në mosha nga 3 deri në 8 vjet ato lejohen _ po ngarkojnë dhe shkarkojnë aparate për ftohje.
- Domosdoshmëria, për kthimi ose kapakët të pajisura me bravat dhe çelësat, çelësat po gjithçka ata mbajnë larg nga arrinjë në fëmijë, dhe jo në afërsia në pajisja për ftohje, për po gjithçka parandalojnë mbyllje në fëmijet brenda.
- Për të shmangni ndotje në ushqimi , ve ju lutem respekt ato në vijim udhëzime:
 - Hapja në dera gjatë koha mund po shkaktuar në mënyrë të konsiderueshme rrit në temperatura në ndarjet në pajisja.
 - Rregullisht pastroj ato sipërfaqet çfarë ata munden po ejani në prekje me ushqim dhe në dispozicion sistemeve për kullimi.
 - Pastroni ato tanket për ujë nëse nr gjithçka përdorni 48 orë ; shpëlarje atë hidraulikun sistemi lidhur në hidraulik nëse nr gjithçka tërheq ujë për 5 ditë. (shënimi 1)
 - Të papërpunuara mish dhe peshk mbaj ato në të përshtatshme kontejnerët në frigorifer , për po nr erdhi në prekje ose po pikon në një tjetër ushqim.
 - Ndarjet për i ngrirë ushqimi me dy jetë gjithçka i përshtatshëm për magazinimit në më parë i ngrirë ushqim , ruajtje ose duke bërë akullore dhe duke bërë kube akull. (shënimi 2)
 - Ndarjet me një , dy dhe tre vjet nr gjithçka i përshtatshëm për ngrirjes të freskëta ushqim. (shënimi 3)
 - Rreth aparate pa ndarje me 4 vje: ky pajisje për ftohje nuk është i përshtatshëm për ngrirjes në ushqimi produkte. (shënimi 4)
 - Nëse pajisja për ftohje qëndrojnë bosh gjatë periudhat , fiket , shkrija , pastrohet thajeni _ _ lëre asaj _ saj dera hapur për po parandalojnë dukuri në myk në pajisja.
- Shënim 1,2,3,4: Ve ju lutem konfirmoj a është e zbatueshme sipas Lloji në ndarjen në produktin .
- PËR të pavarur aparati: ky pajisje për ftohje nuk është menduar po gjithçka përdor si të ngulitura pajisje.
- ÇDO zëvendësim ose mirëmbajtjen është menduar për llambat LED po saj kryejnë prodhuesi, i tij ushtaraku ose i ngjashëm i kualifikuar person.
- Këtë produkt përmban burimi në dritë me klasës në energji efikasiteti (F) .

Kuptimi në sigurinë paralajmërim simbolet



Ky është një simbol për ndalim. Çdo mosrespektimi në udhëzimet e shënuar me këtë simbol mund po rezultatet me dëmtimi në produktin ose po saj kërcënuar personale sigurinë në përdoruesi.



Ky është një paralajmërim simbol. Është e nevojshme që gjithçka punon me në mënyrë rigorozë respekt në udhëzimet e shënuar me këtë simbol; ose në një tjetër mënyrë mund po gjithçka shkaktuar dëmtimi në produktin ose personale lëndim.



Ky është një paralajmërim simbol . Udhëzimet e shënuar me këtë simbol duke kërkuar e veçantë kujdes. e pamjaftueshme kujdes mund po sjellë te peshë e lehtë ose i moderuar një lëndim ose dëmtimi në produktin.

Këtë manual përmban shumë e rëndësishme sigurinë informacion çfarë duhet po ato ata respektojnë përdoruesit.

Paralajmërimet lidhur me elektrike energji

- Nr zvarrit atë kabllon për furnizimi me energji elektrike kur atë zvarrit shtojca për furnizimi me energji elektrike në frigoriferi. Ve ju lutem në mënyrë të vendosur kapeni atë atë prize dhe nxirre jashtë atë drejtpërdrejt nga priza.
- Për po gjithçka ofrojnë i sigurt duke përdorur , nr atë dëmtimi kabllon për furnizimi me energji elektrike dhe jo përdorni atë kabllon për furnizimi me energji elektrike kur demtohet _ ose i lodhur.
- Ve ju lutem përdorni e veçantë prizë dhe prizë nr qesh po gjithçka aksionet me të tjerët elektrike aparate.
Spina për elektricitet duhet po të jetë në mënyrë të vendosur kontaktuar me priza ose në e kundërta mund po gjithçka shkaku zjarret.
- Ve ju lutem kontrolljo bëj elektroda për tokëzimi në priza është e pajisur me me siguri linjë për tokëzim.
- Ve ju lutem fik atë valvula në gazi çfarë skadon edhe më pas hapur ato dyer dhe dritare në rast në rrjedhje në gazi dhe të tjerët të ndezshme gazet . Nr fik atë frigoriferin dhe të tjerët elektrike aparate duke pasur konsideratë se shkëndijë mund po shkaktuar zjarr.
- Nr përdorni elektrike aparate në e sipërme pjesë nga pajisjen , përveç nëse nr gjithçka nga Lloji rekomandohet nga prodhuesi.

Paralajmërimet për përdorni

- Mos në mënyrë arbitrare po atë ju çmontoni ose rindërtojnë as frigoriferin _ po atë ju dëmtoni qarku në lëngun për ftohje; mirëmbajtjen në pajisja duhet po atë kryejnë specialist.
- Pala e dëmtuar kabllor për furnizimi me energji elektrike duhet po atë zëvendësojnë prodhuesi, i tij departamenti për mirëmbajtjen ose të afërmit profesionistët për po gjithçka shmagngni rrezik.
- Boshllëqet ndërmjet dyert në frigoriferin dhe në mes dyert dhe trupin në frigoriferi gjithçka të vegjël, i keni ato konsideratë po nr saj ju vendosni dora në këto zonave për po parandalojnë duke shtrydhur në gishti . Ve ju lutem të jetë i butë kur saj ju hapni dera nga frigoriferi për po shmagngni duke rënë në lëndët.
- Nr zgjidhni ushqimi ose enët me i lagur armëve në dhoma për ngrirjes kur punon frigoriferin , veçanërisht metalike kontejnerët për po shmagngni akullore.
- Nr lejojnë as një fëmijë po hyr brenda ose po gjithçka ngjitet në frigoriferi; në e kundërta mund po gjithçka shkaktuar mbytje ose një lëndim nga duke rënë në fëmijë.
- Nr vënë vështirë lëndët në e sipërme pjesë nga frigoriferi duke pasur konsideratë se objektet mund po i rënë në mbyllje ose hapje në dera mund _ po gjithçka shkaku e rastit lëndimet .
- Ve ju lutem tërheq atë shtojca në rast në ndërprerje në elektricitet ose pastrim. Nr lidh atë ngrirësin në furnizimi me energji elektrike në Afati i fundit nga pesë minuta për po parandalojnë dëmtimi në kompresori për arsye të të njëpasnjëshme startups.

Paralajmërimet për duke ngritur

- Nr vënë i ndezshëm , shpërthyes , i paqëndrueshëm dhe i lartë gërryes lëndët në frigoriferi për po parandalojnë dëmtimi në produktin ose aksidentet nga zjarr.
- Nr vënë të ndezshme lëndët në afërsia në frigoriferi për po shmagngni zjarret.
- Frigoriferi është i destinuar për përdorni në familja, si çfarë është ruajtja në ushqim; nr qesh po gjithçka përdor për të tjerët golat, si çfarë gjithçka magazinimit në gjaku , droga ose biologjikisht produkteve etj _
- Nr mbaj berrë, pije ose të tjerët lëngjeve të përmbajtura në shishe ose mbyllur enët në dhoma për ngrirjes në frigoriferi; ndryshe shisheet ose ato të mbyllura kontejnerët mund po i plasaritur për arsye të ngrirjes dhe po shkaku keqardhje .

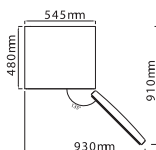
Paralajmërimet për energji

1. Pajisjet për ftohje mund po nr Ata punojnë vazhdimisht (mundësi për shkrije në përbajtjen ose temperatura po ngrihu shume nxehtë në ndarjen për i ngrirë ushqim) kur gjithçka vendosur më gjatë përkohësisht periudhë nën atë të ftohtë fund në shtrirjen në temperaturat për e cila është projektuar pajisja për ftohje.
2. Fakti se ato të nxehta pijet nr duhet po gjithçka ata mbajnë në ndarjet ose kabinete për ngrirjes ushqimi ose në ndarjet ose kabinete me të ulëta temperaturën dhe atë disa produkteve si çfarë gjithçka ato ujore ngricat nr duhet po gjithçka konsumojnë shume ftohtë;
3. Nevoja po nr gjithçka tejkalon koha (et) e magazinimit rekomandohet nga prodhuesit në ushqimi për ndonjë specie ushqimi, veçanërisht për komercialisht shpejt i ngrirë ushqimi në ndarjet ose kabinete për magazinimit ushqimi për ngrirje dhe ngrirje ushqim;
4. Masat e kujdes e nevojshme për po gjithçka parandalojnë të panevojshme rrit në temperatura në atë të ngrirë ushqimi në shkrije në pajisja për ftohje, si e cila është duke u mbështjellë në atë të ngrirë ushqimi në pak shtresat Gazete.
5. Fakti se rritja në temperatura në atë të ngrirë ushqimi për koha në me dorë shkrije, mirëmbajtje ose pastrimi mund po atë preje shkurt afatin në ruajtje.

PËRDORIMI I DREJTË I FRIGORIFERËVE

Konfigurimi

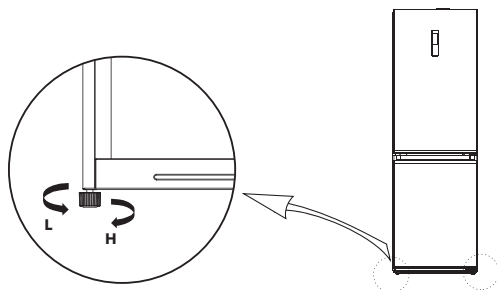
- Përpara përdorni , hiqni ato të gjitha Materiale për paketimi , duke përfshirë ato ato më të ulëta justëkë , justëkë nga shkuma dhe shiritat në e brendshme në frigoriferi ; shkëput saj atë mbrojtëse fletë metalike në dyert dhe trupin në frigoriferi.
- Mbaje atë larg nga ngrohni dhe shmangni e drejtpërdrejtë me diell dritë . Nr vënë atë ngrirësin në i lagur ose i drejtuar vende për po parandaloni ndryshkun _ ose reduktim në atë izolues efekt.
- Nr llak ose lani atë frigoriferi; nr atë vënë frigoriferi në i lagur vende çfarë lehtë mund po gjithçka spërkat me ujë për po nr ndikim në ato elektrike izolues Vetitë në frigoriferi.
- Frigoriferi gjithçka vë në mirë të ajrosura nga brenda vend _ Vendi duhet po të jetë e sheshtë dhe e ngurtë (rrotullohen në të majtë ose në të djathtë për po atë rregulloj rrota për nivelim nëse është e paqëndrueshme).
- E sipërme hapësirë në frigoriferi duhet po të jetë më i madh prej 30 cm, dhe frigoriferin duhet po të jetë vendosur te një mur me lirisht largësia më shumë prej 10 cm për po gjithçka e bëjnë më të lehtë shpërndarjen në nxehtësi.



- Rezervoni hapësirë të mjaftueshme për hapje komode të dyerve dhe sirtarëve.

Piktura sipër është vetëm për referencë . E verteta konfigurimi do varet nga fizike produkt ose Deklarata në distributori.

Me bateri nivelimi _







Fotografia e mësipërme është vetëm për referencë. Konfigurimi aktual do të varet nga produkti fizik ose deklarata e shpërndarësit.

Procedurat për rregullimi:

- Kthehuni ato këmbët në drejtim në shigjetat në Ora për po atë ngre lart frigoriferi;
- Kthehuni ato këmbët e kundërta nga shigjetat në Ora për po atë vënë poshtë frigoriferi;
- Rregullo ato e djathta dhe e majta këmbët në bazë në të përmendura më sipër procedurat në horizontalisht nivel .

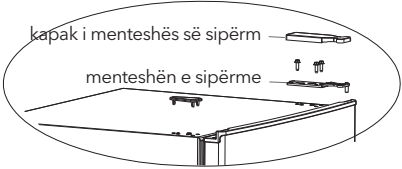
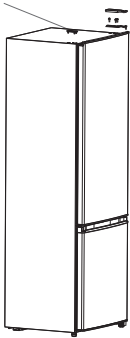
Ndryshimi në dera djathtas majtas

Listë në mjetet çfarë duhet po ato ofrojnë perdoruesi			
	kryq kaçavidë		kaçavidë stuko me i hollë teh
	5/16" fole dhe çelës me arpion		Shirit krep

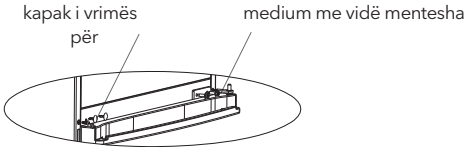
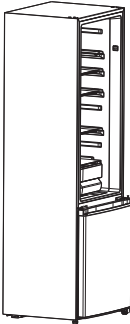
Pjesë çfarë duhet po gjithëcka ata perdorin për e kundërta në dera			
SN	Pjesë	sasi	Vërejtje
1	E drejta sipërme mentesha	1	Para-instaluar në frigoriferin , gjithëcka ende gjithëcka përdor kur dera është mbrapsht
2	Vidhos për e sipërme mentesha	3	Është i instaluar paraprakisht në frigoriferin dhe gjithëcka përdor në duke ndryshuar në dera
3	Vidhos për e mesme mentesha	2	Është i instaluar paraprakisht në frigoriferin dhe gjithëcka përdor në duke ndryshuar në dera
4	E mesme mentesha	1	Është i instaluar paraprakisht në frigoriferin dhe gjithëcka përdor në duke ndryshuar në dera
5	Prizë për vrimë	2	Është i instaluar paraprakisht në frigoriferin dhe gjithëcka përdor në duke ndryshuar në dera
6	E rregullueshme këmbën	1	Është i instaluar paraprakisht në frigoriferin dhe gjithëcka përdor në duke ndryshuar në dera
7	Vidhos për më të ulëta mentesha	3	Është i instaluar paraprakisht në frigoriferin dhe gjithëcka përdor në duke ndryshuar në dera
8	Kuvendi në më të ulëta mentesha	1	Është i instaluar paraprakisht në frigoriferin dhe gjithëcka përdor në duke ndryshuar në dera
9	Vidhos në ajo e poshtme fund në kapaku në dera për ngrirjes	1	Është i instaluar paraprakisht në frigoriferin dhe gjithëcka përdor në duke ndryshuar në dera
10	Blloko për kufizim në ajo e poshtme fund në kapaku në dera për ngrirjes	1	Është i instaluar paraprakisht në frigoriferin dhe gjithëcka përdor në duke ndryshuar në dera
11	Vidhos në ajo e poshtme fund në kapaku në dera në frigoriferi	1	Është i instaluar paraprakisht në frigoriferin dhe gjithëcka përdor në duke ndryshuar në dera
12	E drejta mbyllje në dera në frigoriferi	1	Është i instaluar paraprakisht në frigoriferin dhe gjithëcka përdor në duke ndryshuar në dera
13	Lev mbyllje në dera në frigoriferi	1	Në të bashkangjitur plastike çantë, merrni ato jashtë për përdorni kur dera është i kundërt

- 1. Hiq saj e gjitha ushqimi nga ajo e brendshme zorrë në dera.
- 2. Zbritja atë kapaku në e sipërme mentesha , sipërme mentesha dhe kapak në vrimë nga tjetri anësor

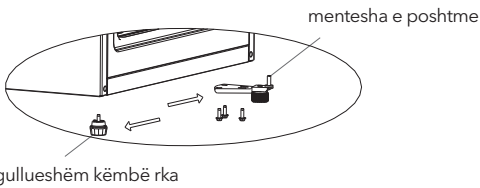
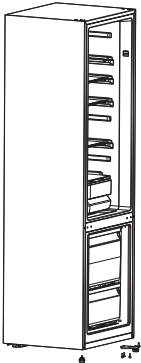
kapak vrimë



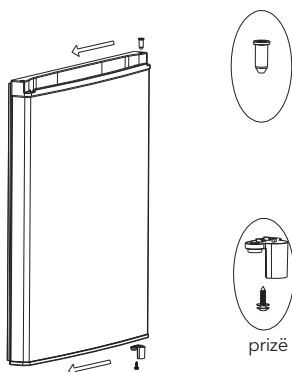
- 3. Hiq saj dera nga frigorigjeri , ai i mesëm mentesha dhe kapele në hapjet për vida nga tjetri anë.



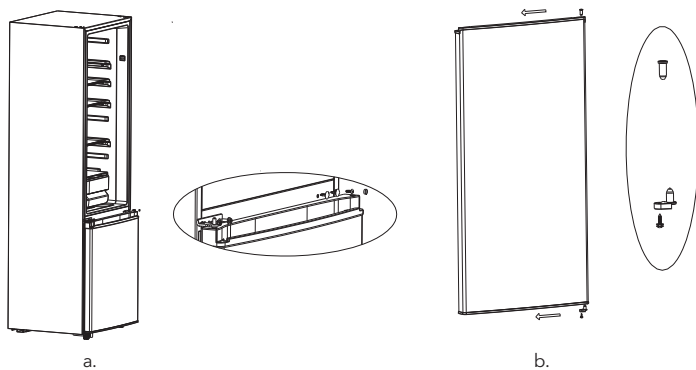
- 4. Hiqni derën e ngrirësit dhe çmontoni menteshën e poshtme dhe këmbën e majtë të rregullueshme. Zëvendësoni pozicionin e montimit të menteshës së poshtme dhe këmbës së rregullueshme dhe rregulloni menteshën e poshtme duke vendosur vida.



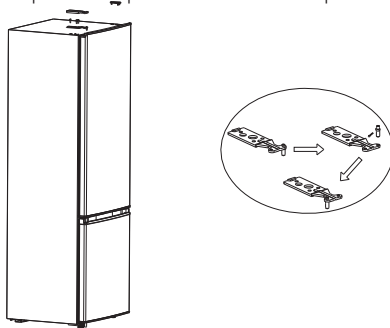
5. Hiqeni tapën e derës nga dera e ngrirësit dhe vendoseni në anën tjetër me një vidë.



6. Vendose saj dera në ngrirësin në ajo e poshtme varet , dhe pastaj ngritur saj e mesme mentesha dhe kapele në hapja për vida (a). Zbritja atë grila në dera nga dera në frigoriferin dhe montimin atë nga tjetri anësor me fiksimit në vidhos (b).



7. Ndryshimi saj pozicioni për ngulitje në boshti në e sipërme mentesha si e cila tregohet më poshtë, atëherë vënë saj dera nga frigoriferi në e mesme varet dhe rregulloni saj e sipërme mentesha me vida, për në fund po atë instaloni kapaku në e sipërme mentesha dhe kapak në vrimë



Ndryshimi në dritë a

Çdo zëvendësim ose mirëmbajtjen është menduar për llambat LED po saj kryejnë prodhuesi, i tij ushtaraku ose i ngjashëm i kualifikuar person.

Ndezja e ngrirësit

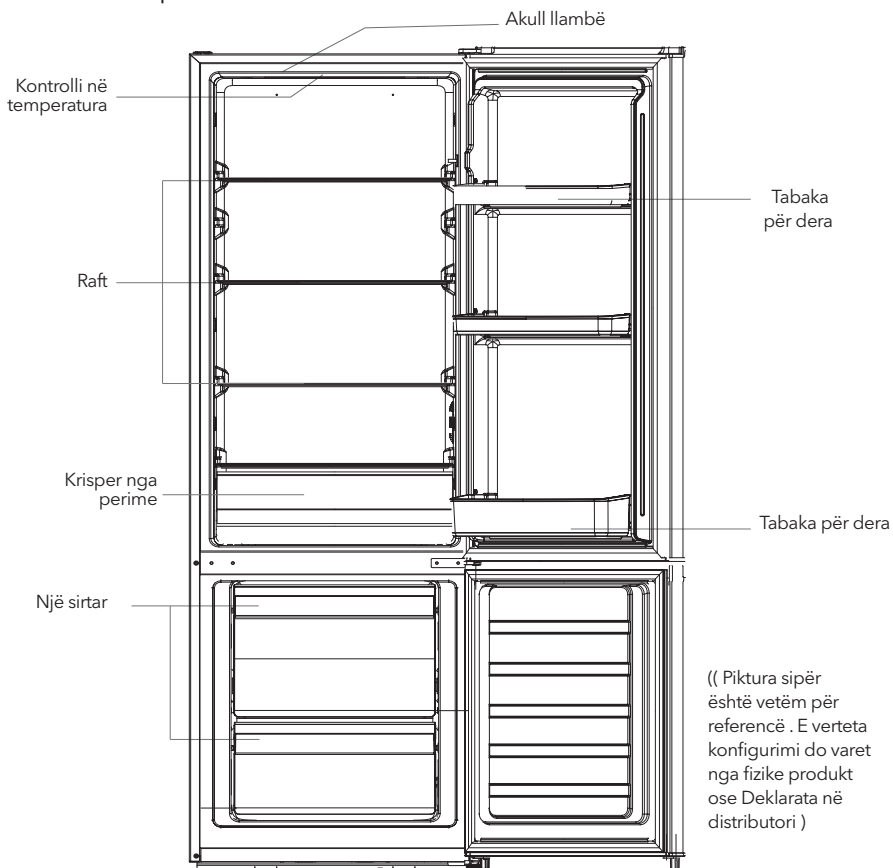
- Pas transport, largohu atë produktin po qëndroj më shumë nga 2 orë përpara po atë ndez furnizimi me energji elektrike, në e kundërta se do sjellë te reduktim në kapacitetin për ftohje ose dëmtimi në produktin.
- Përpara duke vënë të freskëta ose i ngrirë ushqimi , frigoriferi duhet po funksionon për 2-3 orë ose mbi 4 orë në verës kur temperatura në mjedisi është i lartë.
- Ve ju lutem tërheq atë shtojca në rast në ndërprerje në elektricitet ose pastrim. Nr lidh atë ngrirësin në furnizimi me energji elektrike në Afati i fundit nga pesë minuta për po parandalojnë dëmtimi në kompresori për arsye të të njëpasnjëshme startups.

Këshilla për kursimet në energji

- Pajisja duhet po gjithçka gjen në me i ftohti vend nga dhoma , më larg nga aparate çfarë prodhojnë ngrohjes ose ngrohje kanalet dhe më gjerë nga e drejtpërdrejtë me diell dritë.
- Lëreni atë saj atë të ngrohtë ushqimi po gjithçka qetësohu në dhomë temperatura përpara po saj vënë në pajisja. Mbingarkesa në pajisja atë forcat kompresori po punon më gjatë. Ushqimi e cila shume ngadalë ngrin mund po atë humbur kualiteti ose po gjithçka i prishur.
- Kujdesu gjithçka saktë po saj përfundoj ushqimin dhe fshij ato kontejnerët thatë përpara po ato vënë në pajisja. Kjo atë më të ulëta depozitimi akull në e brendshme në pajisja.
- Shporta për magazinimit në pajisja nr duhet po të jetë të veshura me alumini fletë metalike, dyll letër ose letër pëlhurë . Veshjet saj ndërhyjnë qarkullimin në atë të ftohtë ajri , çfarë atë bën pajisja më pak efikas.
- Organizoni dhe etiketoni saj Ushqimi për po ato reduktuar hapjet në dyert dhe zgjerimi kërkko. Hiq kaç shume lëndët sa shumë Çfarë nevojitet _ dhe mbyllet në të njëjtën kohë saj dera çfarë është e mundur më shpejt.

STRUKTURA DHE FUNKSIONET

Celës komponentët



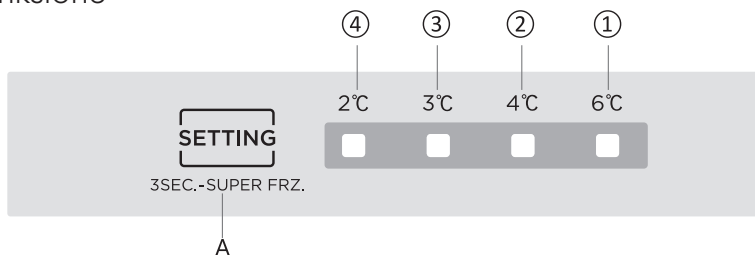
Dhoma për ftohje

- Dhoma për ftohje është e përshtatshme për magazinimit në të ndryshme fruta , perime , pije dhe të tjera ushqimi çfarë gjithçka konsumojnë në i shkurtër Afati i fundit . Sugjeruar koha në magazinimit nga 3 ditë deri në 5 ditë.
- Ushqimi për gatim nr qesh po gjithçka vë në dhoma për ftohje derisa nr gjithçka qetësohu në dhomë temperatura.
- Ushqimi gjithçka rekomandon po gjithçka mbyll gojën përpara po gjithçka vënë në frigorifer.
- Ato prej xhami raftet mund po gjithçka përshtaten lart ose poshtë për e arsyeshme hapësirë për ruajtje dhe e lehtë përdorni.

Dhoma për ngrirjes

- Dhoma për ngrirjes me të ulëta temperatura mund po saj mban Ushqimi të freskëta gjatë kohë dhe kryesisht gjithçka përdor për magazinimit në i ngrirë ushqimin dhe bëjnë akull.
- Dhoma për ngrirja është e përshtatshme për magazinimit në mish , peshk , oriz topa dhe të tjerë ushqimi çfarë nr duhet po gjithçka konsumojnë në i shkurtër Afati i fundit.
- Copat Mish mundësisht po _ gjithçka ndajnë në i vogël copa për lehtë akses. Ve ju lutem kanë konsideratë se Ushqimi duhet po gjithçka konsumojnë në afatin në kohëzgjatja.
- Sirtarë, kuti për ushqim, raftet etj _ vendosur sipas pozicioni në imazhin sipër gjithçka energji më efikase.

Funksione



Piktura sipër është vetëm për referencë . E verteta konfigurimi do varet nga fizike produkt ose Deklarata në distributori.

1. Një buton

A. Një buton për konfigurimi (Butoni për vendosjen në temperatura në Departamenti për frigorifer)

2. Ekranit i ekranit

Cilësimi LED ① 1: 6°C

Cilësimi LED ② 2: 4°C

Cilësimi LED ③ 3: 4°C

Cilësimi LED ④ 4: 2°C

3. Ekranit

Pas fillimisht do gjithçka ndizni , ekranit është plot shfaqet për 3 sekonda . dhe pastaj frigoriferi punon sipas vendosja 2 (4°C).

Në rast në dështimi , LED përkatës pulson.

Në rast po nuk ka asnjë defekte , po shfaq e duhura temperatura në frigoriferi.

Kodi për gabim Përshkrim në defekt

LED ① Sensori për ambienti temperatura

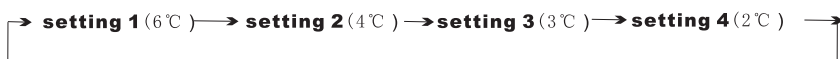
LED ③ rreth në sensor për temperatura në frigoriferi

LED ④ rreth në sensor për temperatura në frigoriferi

4. Konfigurimi në temperatura

Gjithmonë kur butonin për vendosjen në temperatura A do të gjithçka shtyp një herë, vendosja për temperatura gjithçka ndryshim një herë. Pas do përfunduar konfigurimin në temperatura, frigoriferi do punon sipas ngritja vlerë pas 30 sekondash.

Regullorja për ndërrimi është:

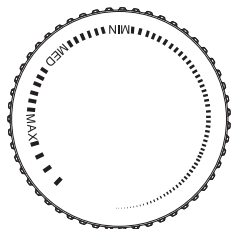


5. Modaliteti në i madh ngrirjes

E gjatë duke shtypur në butonin për duke ngritur temperatura për 3 sekonda , pas ndriçimit LED ② dhe LED ③ në 30 sekonda , do ta bëni hyr brenda në modaliteti në i madh ngrirje .

E gjatë duke shtypur në butonin për duke ngritur temperatura në 3 sekonda mund po atë anuloni regjimit për i madh ngrirje.

Temperature control



- Turn the temperature control knob to MAX, the internal temperature of the refrigerator becomes lower.
- Turn the temperature control knob to MIX, the internal temperature of the refrigerator becomes higher.
- Please adjust the temperature between "MAX" and "MIN".

MIRËMBAJTJA DHE KUJDESI I FRIGORIFERIT

Në përgjithësi pastrimi

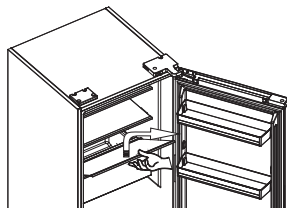
- Pluhuri mbrapa frigoriferin dhe _ terren duhet në kohë po gjithçka ato pastrojnë për po gjithçka përmirësuar efekti në ftohje dhe kursim në energji.
- Rregullisht kontrolloni saj vulën në dera për po të jetë me siguri se nuk ka asnjë Mbetet. Pastroni saj vulën në dera me i butë pëlhurë i njomur me ujë me sapun ose holluar detergjent.
- E brendshme në frigoriferi duhet rregullisht po gjithçka pastër për po gjithçka shmangni erë.
- Ve ju lutem fik atë furnizimi me energji elektrike përpara po saj ju pastroni e brendshme, hiqni saj e gjitha ushqim, piqe, rafte, sirtarë etj _
- Përdorni i butë pëlhurë ose sfungjer për pastrimi në e brendshme në frigoriferin, me dy lugët sodë bikarbonat dhe 1 litër nxehtë ujë. Pastaj shpëlarje me ujë dhe fshij atë. Pas pastrim, i hapur saj derën dhe largohu saj natyrshëm po gjithçka thahen përpara po atë ndez furnizimi me energji elektrike.
- Për vende OBSH vështrë gjithçka ato pastrojnë në frigorifer (si i ngushtë sandiuce , boshllëqe ose kënde), të gjitha rekomandon rregullisht po gjithçka fshij me i butë pëlhurë , e butë furçë etj _ dhe kur është e nevojshme, në _ kombinim me disa ndihmëse mjetet (si si i hollë shkopinj) për po gjithçka siguroj se nuk ka asnjë akumulimi në ndotësve ose bakteret në këto zona.
- Nr përdorni sapun , detergjent, pluhur për pastrim, do të thotë për pastrimi llak etj., sepse ata mund po shkakë erë në e brendshme në frigoriferi ose të kontaminuara ushqim.
- Pastroni saj Korniza nga shishe, raftet dhe sirtarët me i butë pëlhurë i njomur me ujë me sapun ose holluar detergjent. Gjithçka sushi me i butë pëlhurë ose gjithçka sushi natyrshëm.
- Fshije saj ajo e jashme sipërfaqe në frigoriferi me i butë pëlhurë i njomur me ujë me ujë me sapun, detergjent, etj., dhe më pas fshij saj në i thatë.
- Nr përdorni pretendimet brushat, të pastra çeliku topa, me tela furça , gërryes (si p.sh pastat për dhëmbë), organike tretës (si p.sh alkool, acetone, vaj nga banane etj.), të nxehtë ujë, acid ose alkaline lëndët, të cilat mund po atë dëmtimi frigoriferi sipërfaqe dhe të brendshme. Uji çfarë zihen edhe ato organike tretës si çfarë është benzeni mund po ato deformoj ose dëmtimi ato plastike pjesë.
- Nr shpëlarje drejtpërdrejt me ujë ose të tjerët lëngjeve për koha në pastrim për po shmangni i shkurtër nyjet ose po ndikim në atë elektrike izolim pas zhytje.



Ve ju lutem fik frigoriferin _ për shkrija dhe pastrimi.

Pastrimi në atë të xhamit raft

- Hiq saj sirtarin në atë të xhamit raft _
- Merr saj pjesën e përparme anësor në atë të xhamit raft
- (rreth 60°), dhe më pas tërheq saj
- Hiq saj atë të xhamit raft dhe të pastër saj pas nevoja;
- Përmbysët kirurgjia është për ngulitje në xhami raft.



Shkrija

- Fikeni atë frigoriferi .
- Nxirreni saj Ushqimi nga frigoriferin dhe kompletin saj saktë për po parandalojnë shkrija në Ushqimi.
- Pastroni saj kullimi tub (për po ju përdorni i butë Materiale për po parandalojnë dëmtimi në rreshtimi), përgatiteni ato kontejnerët për ujë për shkrije. (paguaj vëmendje po saj pastroj sirtarin për kulloj në ujë në ndarjen në kompresor , Shmangni vërshoj në terren) .
- Ti mundesh po saj ju përdorni ai natyral temperatura për natyrshëm shkrija, e njëjta gjë si ajo ti mundesh po saj ju përdorni lopatë për akull për po atë eliminojnë akulli (po ju përdorni plastike ose druri lopatë për akull, për po shmangni dëmtimi në formacionin ose tubi) Ju mundeni e njëjta si ajo po ju përdorni të përshtatshme sasi nxehtë ujë për po gjithçka shpejtoj shkrija , me thatë pëlhurë për po gjithçka thahen uji pas shkrije.
- Pas shkrije, rivendos saj Ushqimi në kabinetin dhe ndizeni atë frigoriferi.

Jashtë nga puna

- Ndërprerje në aktuale: Në rast në ndërprerje në energji elektrike , edhe nëse është në verës , ushqimit në pajisja mund po gjithçka mban pak orë ; për koha në ndërprerje në atë elektrike energji , kohë në hapje në dera duhet po gjithçka zvogëloni dhe po nr gjithçka vë më shumë të freskëta ushqimi në pajisja.
- Qëndrueshmëri të gjatë mospërdorimi : pajisja duhet po gjithçka fik nga aktuale dhe më pas po gjithçka pastroj _ pastaj dyert gjithçka ata largohen hapur për po gjithçka parandalojnë erë.
- Zhvendosja: Më parë po gjithçka lëvizin frigoriferin, nxirreni ato të gjitha lëndët brenda , rregulloni ato ato prej xhami ndarëse , mbajtës për perimet , sirtarët në dhoma për ngrirje dhe të ngjashme me shirit dhe shtrëngojeni ato këmbët për nivelim; mbyll ato kthehu dhe rregullo ato me kasetë. Për koha në lëvizja , pajisja nr duhet po gjithçka krijon me kokë poshtë ose horizontalisht , as po gjithçka vibron; shpatin për koha në Lëvizja nr duhet po të jetë më i madh prej 45°.



Pajisja do të funksionojë vazhdimisht pasi të jetë ndezur. Në përgjithësi, funksionimi i aparatit nuk duhet të ndërpritet; përndryshe jeta e punës mund të dëmtohet .

ZGJIDHJA E PROBLEMEVE

Ti mundesh po gjithçka provoni vetëm po ato vendosin tjetër thjeshtë probleme.

Nëse nr ata munden po gjithçka zgjidh, ve ju lutem merrni kontakt atë Departament për pas shitjeve

E pasuksesshme operacion	Kontrolloje bëj pajisja është e lidhur në elektricitet ose bëj spina është futur mirë futur Kontrolloje bëj voltazhi është shumë i madh të ulëta Kontrolloje bëj ka ndërprerje në atë elektrike energji ose i pjesshëm makinë gjithçka shkëputur
Erë	Ushqim me erë të fortë duhet po të jetë në mënyrë të vendosur i mbështjellë Kontrolloje bëj ka i prishur ushqimi Pastroni saj e brendshme në frigoriferi
jetëgjatë puna në kompresori	E gjata operacion në frigoriferi eshte normal në verës kur temperatura në mjedisi është i lartë Nuk sugjerohet _ po ju keni shume ushqimi në pajisja njëkohësisht Ushqimi duhet po gjithçka qetësohu përpara po gjithçka vënë në pajisja Dyert gjithçka ato hapen shume shpesh
Me petalet nr ka sukses në po ndez _	Kontrolloje bëj frigoriferi është i kyçur në prizë në furnizimi me energji elektrike dhe nëse lamba është e dëmtuar
Dyert nr ata munden po gjithçka mbyllen saktë	Dera është mbërthyer nga paketat me ushqimi Frigoriferi është i anuar
Me zë të lartë zhurma	Kontrolloje bëj dyshemeja është në nivel dhe nëse frigoriferi është i qëndrueshëm vendosur Kontrolloje bëj aksesoret gjithçka vendosur në të përshtatshme vendndodhjet
Vula në dera nuk është e ngushtë	Hiq ato ato të jashtme substancave në vulën në dera Ngroheni saj vulën në dera dhe më pas qetësohu saj për restaurimi (ose goditej atë me elektrike tharese flokesh ose përdorni nxehtë pëlhurë për ngrohu)
Enë ruajtëse e kondensimit dhe shkrires gjithçka ajo vërshon	Ka shume ushqimi në dhoma ose të ruajtura ushqimi përmban shume ujë, çfarë rezultatet me vështirë shkrije Dyert nr gjithçka mbyllur drejtë, çfarë rezultatet me ngrirjes për arsye të hyrje në ajrit dhe të rritur ujë për arsye të shkrije
E nxehtë strehimit	Shpërndarja në ngrohjes në e integruara kondensator përmes rasti , i cili është normal. Kur strehimin bëhet nxehtë për arsye të i gjati temperatura në mjedisi dhe ruajtja në shume ushqim , gjithçka rekomandon po gjithçka ofrojnë të dëgjueshme ventilim për po gjithçka e bëjnë më të lehtë shpërndarjen në nxehtesia.

Sipërfaqe kondensimi	Kondensimi në ajo e jashtme sipërfaqe dhe vula në dyert në frigoriferi është normal kur lagështia në mjedisi është shumë i lartë. Vetëm fshij atë kondensata me pastër pëlthurë.
Jonormal zhurma	Tingulli: Kompresori mund po duke prodhuar gumëzhimë për koha në puna dhe zhurma: gjithçka me zë të lartë sidomos në fillimin ose duke u ndalur. Kjo është normale. Xhirimi: Frigoriferi aktiv e cila rrjedhat në e brendshme në pajisja mund po shkaktuar kërcitje, që është normale.

Paralajmërimet për duke hedhur



Frigoriferi aseteve dhe materialeve për shkumë nga ciklopentani çfarë gjithçka ata perdorin për frigoriferi gjithçka i ndezshëm. Prandaj, kur frigoriferi gjithçka torno, ai duhet po gjithçka mban larg nga OBSH qoftë burimi në zjarri dhe po të jetë nxorrën jashtë nga e veçantë kompania për rikuperimi me të përshtatshme kualifikim përveç po gjithçka heq me djegie , për po gjithçka parandalojnë dëmtimi në kafsha mjedisi ose çfarë lloj qoftë një tjetër keqardhje



Kur frigoriferi është gërvishur, çmontoni atë ato dyert dhe nxirni jashtë saj vulën nga dera dhe raftet; vënë ato dyer dhe raftet në përkatësisht vend , për po parandalojnë kapjen në e cila qoftë fëmijë.



E sakte heqjen në këtë produkt:

Këtë shenjë tregon se këtë produkt nr duhet po gjithçka hedh me një tjetër humbje nga amvisëria në të gjithë BE-në. Për po parandalojnë të mundshme keqardhje në kafsha mjedisi ose në Njeri shëndetin nga të pakontrolluara depozitimi mbeturina, riciklohen atë përgjegjës për po promovojnë të qëndrueshme të përsëritura përdorni në ato materiale burimet. Për po atë dyert atë të përdorur pajisje, përdorim ato sistemet për kthimet dhe faturimi ose merrni kontakt me shitesi ku që është blerë produktin. Ata ata munden po atë ata marrin këtë produkt për miqësore me mjedisin i sigurt riciklimi.

ПРЕДУПРЕЖДЕНИЯ ЗА БЕЗОПАСНОСТ

- ТОЗИ уред е предназначен за битова употреба и подобни приложения, като музически помещения за персонала в магазини, офиси и други работни помещения; ферми и от гости в хотели, мотели и други жилищни среди; места за нощувка и закуска и подобни места; кетъринг и подобни нетърговски приложения.
- ТОЗИ уред не е предназначен за използване от лица (включително деца) с намалени физически, сетивни или умствени способности или с липса на опит и познания, освен ако не са под надзор или са инструктирани относно използването на уреда от лице, отговорно за тяхната безопасност.
- ДЕЦАТА трябва да бъдат наблюдавани, за да се гарантира, че няма да си играят с уреда. Ако захранващият кабел е повреден, той трябва да бъде заменен от производителя, неговия сервизен представител или от лица с подобна квалификация, за да се избегне опасност.
- НЕ съхранявайте в този уред взривоопасни вещества, например аерозолни флакони, съдържащи запалими горива.
- Уредът трябва да бъде изключен от електрическата мрежа след употреба и преди потребителят да извърши каквато и да е поддръжка по него.
- Поддържайте вентилационните отвори в корпуса на уреда или вградената конструкция свободни от препятствия.
- Не използвайте механични устройства или други средства за ускоряване на процеса на размразяване, различни от препоръчаните от производителя.
- Не повреждайте кръга на хладилния агент.
- Не използвайте електрически уреди в отделенията за съхранение на храна на уреда, освен ако те не са от типа, препоръчан от производителя.
- Моля, изхвърляйте хладилника в съответствие с местните разпоредби, тъй като в него се използват запалими горивни материали и хладилен агент.
- Когато поставяте уреда, се уверете, че захранващият кабел не е заклещен или повреден.
- Не поставяйте няколко разклонителя или преносими захранващи устройства в задната част на уреда.
- НЕ използвайте удължители или адаптери, които не са заземени (с два извода).
- Риск от заклещване на деца. Преди да изхвърлите стария си хладилник или фризер:
 - Сваляте вратите.
 - Оставете рафтовете на място, така че децата да не могат лесно да се катерят вътре.
- Хладилникът трябва да бъде изключен от електрическата мрежа, преди да се опитате да монтирате аксесоар.
- Използваните в уреда ХЛАДИЛЕН АГЕНТ и разпенващият агент на циклопентанова основа са запалими. Поради това, когато уредът се изхвърля, той трябва да се премести далеч от всякакви източници на огън и да се събере от специализирана фирма със съответната квалификация, а не да се унищожава чрез изгаряне, за да се избегне причиняването на щети на околната среда или други щети.
- Този уред може да се използва от деца на възраст 8 и повече години и от лица с намалени физически, сетивни или умствени способности или с липса на опит и познания, ако са под надзор или са инструктирани за безопасното използване на уреда и разбират свързаните с него рискове. Децата не трябва да си играят с уреда. Почистването и поддръжката от страна на потребителя не трябва да се извършва от деца без надзор. Деца на възраст от 3 до 8 години се разрешава да пълнят и изпразват с храна хладилни уреди.
- В случай на врати или капаци, снабдени с ключалки и ключове, ключовете трябва да се съхраняват на места, недостъпни за деца, и да не са в обсега на деца в близост до хладилния уред, за да се предотврати попадането на деца в него.
- ЗА да избегнете замърсяване на храната, следвайте инструкциите по-долу:
 - Продължителното отваряне на вратата може да доведе до значително повишаване на температурата в отделенията на уреда.
 - Редовно почиствайте повърхностите, които могат да влязат в контакт с храна, и достъпните системи за оттичане.
 - Почистете резервоарите за вода, ако не са били използвани в продължение на 48 часа; изплакнете водната система, свързана с водоснабдяването, ако водата не е била източвана в продължение на 5 дни. (Забележка 1)
 - Съхранявайте суровото месо и риба в подходящи съдове в хладилника, така че да не влизат в контакт с други храни и да не капят върху тях.
 - Отделенията с две звезди за замразени храни са подходящи за съхраняване на предварително замразени храни, съхраняване или приготвяне на сладолед и приготвяне на кубчета лед. (Забележка 2)
 - Отделенията с една, две и три звезди не са подходящи за замразяване на пресни храни. (Забележка 3)
 - За уреди без отделение с четири звезди: този хладилен уред не е подходящ за замразяване на хранителни продукти (Забележка 4).
 - Ако хладилният уред е оставен празен за дълъг период от време, изключете го, размразете го, почистете го, подсушете го и оставете вратата отворена, за да предотвратите образуването на мухъл в уреда.
- Забележка 1, 2, 3, 4: Моля, проверете дали това е приложимо в зависимост от типа на отделението на вашия уред.
- ЗА свободността на уред: този хладилен уред не е предназначен за използване като уред за враждане.
- ВСЯКА подмяна или обслужване на светлодни лампи трябва да се извършва от производителя, неговия сервизен представител или лице с подобна квалификация.
- Този продукт съдържа светлинен източник с клас на енергийна ефективност (F).

Значение на предупредителните символи за безопасност



Това е символ за забрана. Всяко неспазване на инструкциите, маркирани с този символ, може да доведе до повреда на уреда или да застраши личната безопасност на потребителя.



Това е символ за предупреждение. Необходимо е да се работи при стриктно спазване на инструкциите, отбелязани с този символ; или по друг начин може да причини повреда на уреда или нараняване.



Това е символ за внимание. Инструкциите, маркирани с този символ, изискват специално внимание. Недостатъчното внимание може да доведе до леко или умерено нараняване, или повреда на уреда.

Това ръководство съдържа много важна информация за безопасност, която трябва да се спазва от потребителите.

Предупреждения относно електричеството

- Не издърпайте захранващия кабел, когато изваждате щепсела, за да изключите хладилника. Хванете здраво щепсела и го извадете директно от контакта.
- За да осигурите безопасна употреба, не допускайте повреждане на захранващия кабел и не използвайте захранващия кабел, ако е повреден или износен.
- Използвайте отделен контакт, към който не трябва да бъдат свързани други електрически уреди. Щепселът на захранващия кабел трябва да бъде здраво свързан с контакта, в противен случай може да възникне пожар.
- Уверете се, че заземителната клема на захранващия контакт е снабден с надеждна заземяваща линия.
- В случай на изтичане на газ, изключете вентила на изтичащия газ, след което отворете вратите и прозорците. Не се опитвайте да изключвате хладилника или други електрически уреди от електрическата мрежа, тъй като искрите могат да причинят пожар.
- Не използвайте електрически уреди върху хладилника, освен ако те не са от типа, препоръчан от производителя.

Предупреждения при употреба

- Не разглобявайте и не преустройвайте произволно хладилника и не повреждайте хладилния кръг; уредът трябва да се обслужва от специалист.
- Повреденият захранващ кабел трябва да бъде заменен от производителя, неговия следпродажбен сервиз или квалифицирани специалисти, за да се избегне опасност.
- Пространствата между вратите на хладилника и между вратите и корпуса на хладилника са тесни, така че внимавайте да не поставяте ръка в тези области, за да избегнете притискане на пръсти. Бъдете внимателни, когато отваряте вратата на хладилника, за да избегнете изпадането на предмети.
- Не вземайте храна или съдове с мокри ръце във фризерната камера, когато хладилникът работи, особено метални съдове, за да избегнете измръзване.
- Не позволявайте на деца да влизат или да се катерят по хладилника, тъй като това може да доведе до задушаване или нараняване, ако детето падне.
- Не поставяйте тежки предмети в горната част на хладилника, тъй като те могат да паднат при затваряне или отваряне на вратата и да причинят случайно нараняване.
- Моля, извадете щепсела на уреда от контакта в случай на прекъсване на електрозахранването или при почистване. Не включвайте фризера към захранването до пет минути след изключването му, за да не се повреди компресорът при последователните пускания.

Предупреждения относно съхранението на храна в уреда

- Не поставяйте запалими, експлозивни, летливи и силно корозивни вещества в хладилника, за да предотвратите повреда на продукта или инцидентен пожар.
- Не поставяйте запалими предмети близо до хладилника, за да избегнете възникването на пожар.
- Този хладилник е предназначен за битова употреба за съхранение на храни и не трябва да бъде използван за други цели, например съхранение на кръв, лекарства или биологични продукти и др.
- Не съхранявайте бира, напитки или други течности в бутилки или затворени съдове във фризерното отделение на този хладилник; в противен случай бутилките или затворените контейнери могат да се напукат поради замръзването и да причинят щети.

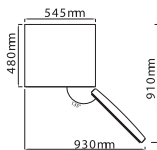
Предупреждения относно енергоспестяването

1. Хладилните уреди може да не работят стабилно (съдържанието може да се размрази или температурата в отделението за замразени храни да стане твърде висока), ако са настроени за продължителен период от време под температурния диапазон, за който е проектиран хладилният уред.
2. Не е препоръчително да се съхраняват газирани напитки в отделения или чекмеджета за замразяване на храни, или в отделения или шкафове с ниска температура, а някои продукти, например кубчета лед, не трябва да се консумират твърде студени;
3. Важно е да не се превишава времето за съхранение, препоръчано от производителите на храни за всички видове храни, особено за бързо замразените храни в търговската мрежа във фризерните отделения и чекмеджетата за съхранение на замразени храни;
4. Вземете необходимите предпазни мерки, за да избегнете прекомерно повишаване на температурата на замразената храна при размразяване на уреда, като опаковате замразената храна в няколко слоя вестник.
5. Повишаването на температурата на замразената храна по време на ръчно размразяване, поддръжка или почистване може да намали нейния срок на годност.

ПРАВИЛНА УПОТРЕБА НА ХЛАДИЛНИКА

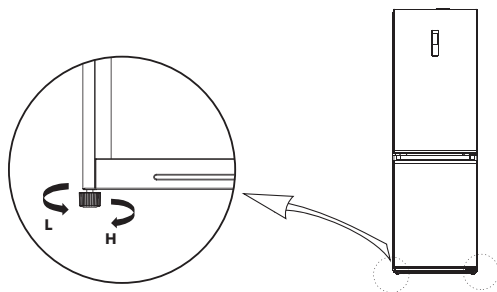
Позициониране

- Преди да използвате уреда, отстранете всички опаковъчни материали, включително подложката на дъното, блоковете от пяна и лепенките вътре; отстранете защитното фолио от вратите и корпуса на хладилника.
 - Пазете уреда от топлина и пряка слънчева светлина. Не го поставяйте на влажно място или в близост до вода, тъй като това може да доведе до ръжда или да намали изолационния ефект.
 - Не пръскайте и не мийте хладилника с вода; не поставяйте хладилника на влажни места, където той лесно ще влезе в контакт с вода, това може да повлияе неблагоприятно на характеристиките на електрическата изолация на хладилника.
 - Хладилникът трябва да бъде поставен на добре проветриво място на закрито; повърхността трябва да е равна и твърда (ако уредът е нестабилен, завъртете нивелиращото краче наляво или надясно, за да го регулирате).
 - Над горната повърхност на хладилника трябва да се остави поне 30 см пространство. Хладилникът да се постави до стената, като между стената и уреда се остави разстояние от поне 10 см, което улеснява процеса на разсейване на топлината.
- Оставете достатъчно място за лесно отваряне на вратите и чекмеджетата.



Изображението по-горе е само с илюстративна цел. Действителната конфигурация ще зависи от физическия продукт или от информацията, предоставена от дистрибутора.

Нивелираци крачета


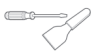




Изображението по-горе е само с илюстративна цел. Действителната конфигурация ще зависи от физическия продукт или от информацията, предоставена от дистрибутора.

Процедури за регулиране:

- Завъртете крачетата по посока на часовниковата стрелка, за да повдигнете (П) хладилника;
- Завъртете крачетата обратно на часовниковата стрелка, за да спуснете (С) хладилника;
- Регулирайте дясното и лявото краче, както е описано по-горе, докато уредът се нивелира.

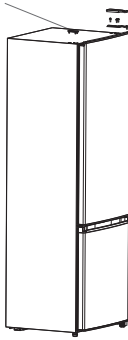
Промяна на посоката на отваряне на вратата

Списък с инструменти, които трябва да се осигурят от потребителя			
	Кръстата отвертка		Шпатула и плоска отвертка
	Гаечен ключ 5/16"		Самозалепваща лента

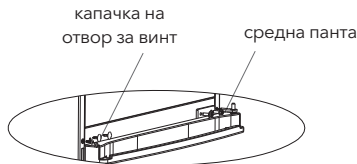
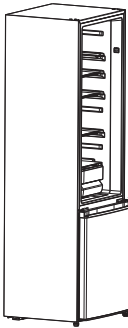
Части, използвани за обръщане на посоката на отваряне на вратата			
№	Част	Количество	Забележки
1	Дясна горна панта	1	Предварително монтирана на хладилника, като също се използва при смяна на посоката на отваряне на вратата
2	Винт на горната панта	3	Предварително монтиран на хладилника и използван при смяна на посоката на отваряне на вратата
3	Винт на средната панта	2	Предварително монтиран на хладилника и използван при смяна на посоката на отваряне на вратата
4	Средна панта	1	Предварително монтирана на хладилника и използвана при смяна на посоката на отваряне на вратата
5	Капачка за отвор	2	Предварително монтирана на хладилника и използвана при смяна на посоката на отваряне на вратата
6	Регулируемо краче	1	Предварително монтирано на хладилника и използвано при смяна на посоката на отваряне на вратата
7	Винт на долната панта	3	Предварително монтиран на хладилника и използван при смяна на посоката на отваряне на вратата
8	Долна панта	1	Предварително монтирана на хладилника и използвана при смяна на посоката на отваряне на вратата
9	Винт за долния край на капачката на вратата на фризера	1	Предварително монтиран на хладилника и използван при смяна на посоката на отваряне на вратата
10	Ограничителен блок на долния край на капачката на вратата на фризера	1	Предварително монтиран на хладилника и използван при смяна на посоката на отваряне на вратата
11	Винт за долния край на капачката на вратата на хладилника	1	Предварително монтиран на хладилника и използван при смяна на посоката на отваряне на вратата
12	Десен ограничител на вратата на хладилника	1	Предварително монтиран на хладилника и използван при смяна на посоката на отваряне на вратата
13	Лвя ограничител на вратата на хладилника	1	В приложената найлонова торбичка, извадете го за употреба при смяна на посоката на отваряне на вратата

1. Извадете всички хранителни продукти от вътрешната част на вратата.
2. Демонтирайте капака на горната панта, горната панта и капачката на отвора от другата страна

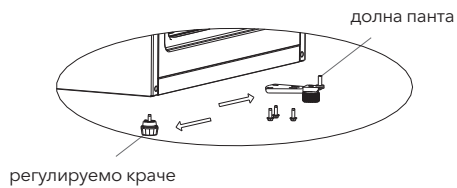
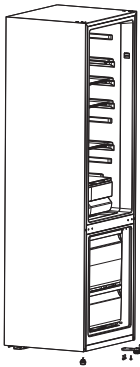
капачка на отвора



3. Свалете вратата на хладилника, средната панта и капачките на отворите за винтове от другата страна.



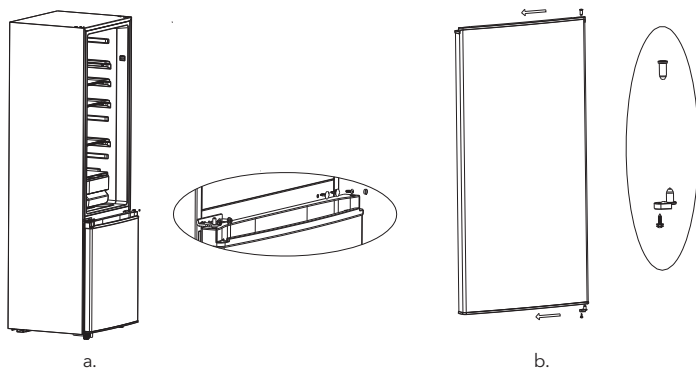
4. Свалете вратата на фризера, демонтирайте долната панта и лявото регулируемо краче. Променете позицията на монтиране на долната панта и регулируемото краче и фиксирайте долната панта с винтове.



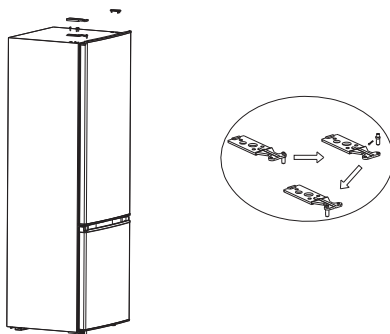
5. Демонтирайте ограничителя на вратата на фризера и го монтирайте от другата страна с винт.



6. Поставете вратата на фризера върху долната панта, след което монтирайте средната панта и капачките на отворите за винтове (а). Демонтирайте ограничителя на вратата на хладилника и го монтирайте от другата страна с винт (б).



7. Променете позицията на монтиране на горната панта, както е показано по-долу, след това поставете вратата на хладилника върху средната панта и фиксирайте горната панта с винтове, накрая монтирайте капачка на горната панта и капачката на отвора.



Смяна на осветителната крушка

Подмяната или поддръжката на светодиодните лампи трябва да се извършва от производителя, неговия сервизен представител или лице с подходяща квалификация.

Първоначална употреба

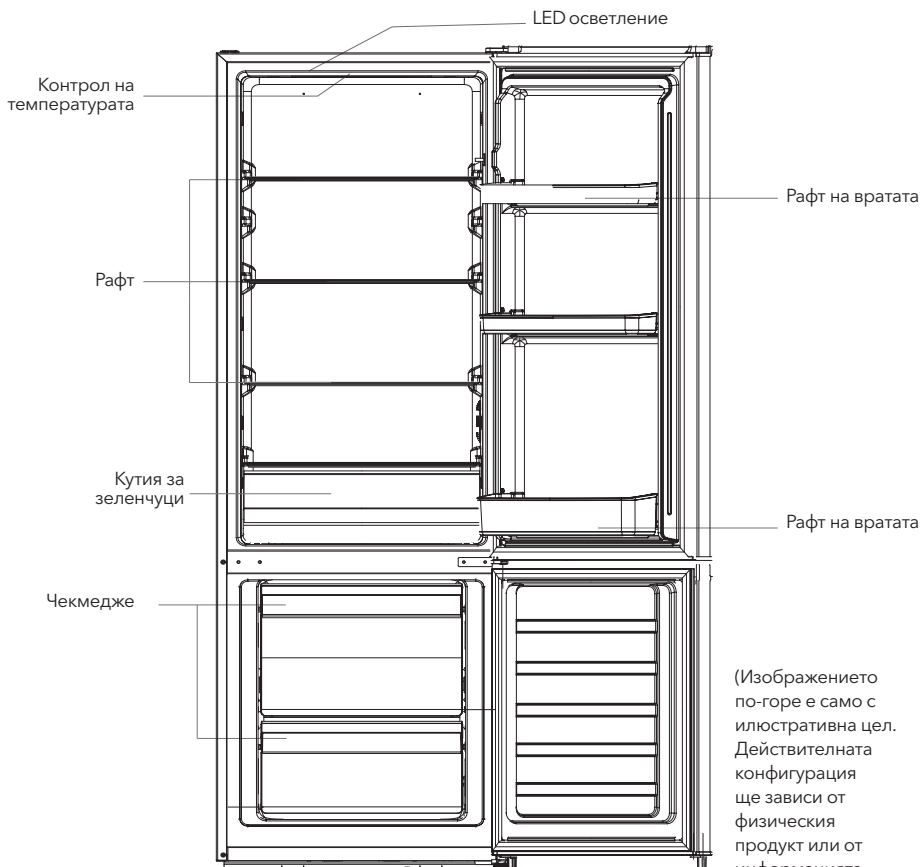
- След транспортиране изчакайте поне 2 часа, преди да включите уреда, в противен случай рискувате да намалите капацитета на охлаждане или да повредите уреда.
- Преди да съхранявате прясна или замразена храна в хладилника, трябва да го оставите да работи в продължение на 2 до 3 часа или повече от 4 часа през лятото, когато температурата на околната среда е висока.
- Извадете щепсела от контакта в случай на прекъсване на електрозахранването или при почистване. Изчакайте 5 минути, преди да включите уреда към електрическата мрежа, за да предотвратите повреждането на компресора при последователни пускания.

Съвети за пестене на енергия

- Уредът трябва да бъде поставен в най-хладната част на помещението, без пряка слънчева светлина, и не трябва да се намира в близост до отоплителни уреди или отоплителни тръби.
- Оставете горещата храна да се охлади до стайна температура, преди да я съхранявате в уреда. Ако претоварите уреда, компресорът ще трябва да работи по-дълго. Ако храната се замразява твърде бавно, качеството ѝ може да се влоши или храната да се развали.
- Уверете се, че храната е опакована правилно, и извършете съветите, за да са напълно сухи, преди да ги поставите в уреда. Това ще ограничи натрупването на скреж във вътрешността на уреда.
- Кутиите за съхранение не трябва да бъдат обвивани с алуминиево фолио, восъчна хартия или хартиена тъкан. Обвиването на съдовете възпрепятства циркулацията на студен въздух, което прави уреда по-малко ефективен.
- Подредете и етиктирайте храната, така че по-рядко да отваряте вратата и да намирате по-бързо храната, която търсите. Вземете наведнъж всичко необходимо и затворете вратата възможно най-скоро.

КОНСТРУКЦИЯ И ФУНКЦИИ

Основни компоненти



(Изображението по-горе е само с илюстративна цел. Действителната конфигурация ще зависи от физическия продукт или от информацията, предоставена от дистрибутора)

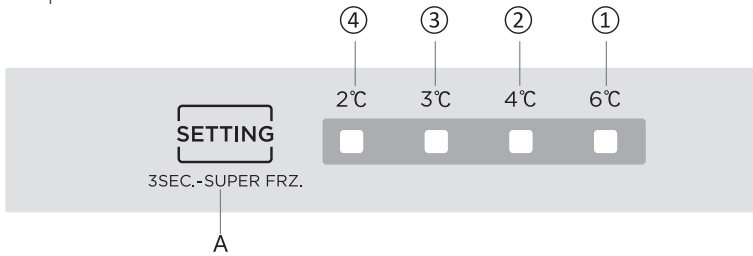
Хладилно отделение

- Хладилното отделение е подходящо за съхранение на различни плодове, зеленчуци, напитки и други храни, които се консумират в кратък период. Препоръчително време за съхранение от 3 до 5 дни.
- Сготвените храни не трябва да се поставят в хладилното отделение, докато не се охладят до стайна температура.
- Препоръчително е храните да бъдат опаковани херметично, преди да бъдат поставени в хладилника.
- Стъклените рафове могат да се преместват нагоре или надолу за осигуряване на достатъчно място за съхранение и лесно използване на уреда.

Фризерно отделение

- Фризерното отделение с ниска температура запазва храната свежа за дълго време и се използва главно за съхранение на замразени продукти и за приготвяне на кубчета лед.
- Фризерното отделение е подходящо за съхранение на месо, риба, оризови топчета и други храни, които няма да се консумират в кратък срок.
- За предпочитане е месото да се нареже на малки парчета, за да се ускори замразяването и да се използва по-лесно. Моля, имайте предвид, че храната трябва да се консумира преди изтичане на срока ѝ на годност.
- Разположението на чекмеджетата, кошниците, рафтовете и т.н., показано на схемата, е най-енергийно ефективно.

Функции



Изображението по-горе е само с илюстративна цел. Действителната конфигурация ще зависи от физическия продукт или от информацията, предоставена от дистрибутора.

1. Бутон

A. Бутон за настройка (Бутон за настройка на температурата в хладилното отделение)

2. Екран на дисплея

LED ① настройка 1: 6°C

LED ② настройка 2: 4°C

LED ③ настройка 3: 4°C

LED ④ настройка 4: 2°C

3. Дисплей

След първоначалното включване, всички светодиоди на дисплея ще светнат за 3 секунди и след това хладилникът работи според настройка 2 (4°C).

В случай на неизправност съответният светодиод (LED) мига.

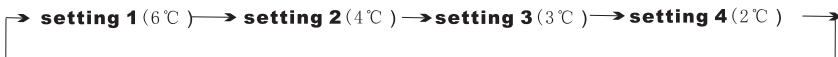
В случай, че няма неизправности се показва действителната температура на хладилника.

Код на неизправността	Описание на неизправността
LED ①	Сензор за околна температура
LED ③	Сензор за обезскрежаване на хладилника
LED ④	Сензор за температура в хладилника

4. Настройка на температурата

При всяко едно натискане на бутона за настройка на температурата A, настройката на температурата се променя еднократно. След приключване на настройката на температурата, хладилникът ще работи според зададената стойност след 30 секунди.

Промяната на настройката е:

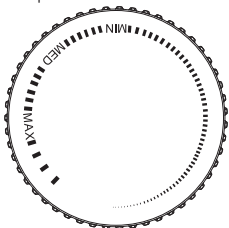


5. Режим на бързо замразяване

Уредът ще премина в режим на бързо замразяване при натискане на бутона за настройка на температурата в продължение на 3 секунди, след като ② и LED ③ светнат за 30 секунди.

Натискането на бутона за настройка на температурата в продължение на 3 секунди може да отмени режима на бързо замразяване.

Temperature control



- Turn the temperature control knob to MAX, the internal temperature of the refrigerator becomes lower.
- Turn the temperature control knob to MIX, the internal temperature of the refrigerator becomes higher.
- Please adjust the temperature between "MAX" and "MIN".

ПОДДРЪЖКА И ГРИЖА ЗА ХЛАДИЛНИКА

Общо почистване

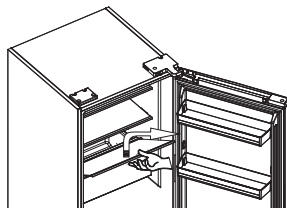
- Прахът в задната част на хладилника и на пода трябва да се почиства периодично, за да се подобрят охлаждащите свойства на уреда и да се пести енергия.
- Редовно проверявайте уплътнението на вратата, за да се уверите, че по него няма остатъци. Почиствайте уплътнението на вратата с мека кърпа, навлажнена със сапунена вода или разреден разтвор на почистващ препарат.
- Вътрешността на хладилника също трябва да се почиства редовно, за да се предотврати появата на миризми.
- Преди да почиствате вътрешността на уреда, изключете електрозахранването и извадете всички храни, напитки, рафтове и кошници.
- За да почистите вътрешността на хладилника, използвайте мека кърпа или гъба, напоена с разтвор, съдържащ две супени лъжици сода бикарбонат и един литър топла вода. Изплакнете с чиста вода и подсушете. След като почиствате, отворете вратата и оставете вътрешността да изсъхне на въздух, преди да включите уреда отново.
- За трудно почистващите се вътрешни части (като жлебове, тесни пространства или ъгли) препоръчваме да ги избърсвате редовно с мека кърпа, четка и т.н., а ако е необходимо, да използвате помощни инструменти (напр. фини пръчици), за да предотвратите натрупването на замърсители или бактерии.
- Не използвайте сапун, почистващ препарат, прах за почистване, спрей за почистване и т.н., тъй като те могат да предизвикат миризми в хладилника или да замърсят храната.
- Почиствайте стойката за бутилки, рафтовете и кошниците с мека кърпа, навлажнена със сапунена вода или разреден препарат. Подсушете с мека кърпа или на въздух.
- Избършете външната повърхност на хладилника с мека кърпа, навлажнена например със сапунена вода или почистващ препарат, след което я подсушете.
- Не използвайте твърди четки, метални телчета за почистване, телени четки, абразивни продукти (като паста за зъби), органични разтворители (като алкохол, ацетон, амилацетат и др.), вряла вода, киселинни или алкални вещества: те могат да повредят повърхността и вътрешността на уреда. Врящата вода и органичните разтворители, като бензол, могат да деформират или повредят пластмасовите части.
- Не изплаквайте уреда директно с вода или други течности при почистване, тъй като това може да доведе до късо съединение или да засегне електрическата изолация, ако уредът се залее.



Извадете щепсела от контакта преди размразяване или почистване.

Почистване на стъкления рафт

- Извадете чекмеджето, намиращо се върху стъкления рафт;
- Повдигнете предната част на стъкления рафт (около 60°), след което я издърпайте;
- Извадете стъкления рафт и го почистете ако е необходимо;
- Изпълнете процедурата в обратен ред, за да монтирате отново стъкления рафт.



Обезскрежаване

- Изключете захранването на хладилника.
- Извадете храната от хладилника и я поставете правилно, за да не се разтопи.
- Почистете тръбата за източване (използвайте меки материали, за да предотвратите повреда на облицовката), Подгответе съдове за водата от обезскрежаването (обърнете внимание на почистването на тавата за източване на вода в компресорното отделение. Избягвайте преливане на вода на пода).
- Можете да използвате естествената температура за естествено обезскрежаване, можете също така да използвате стъргалка за лед, за да премахнете скрежа (да използвате пластмасова или дървена стъргалка за лед, за да не повредите облицовката или тръбата) Можете също така да използвате подходящо количество гореща вода, за да ускорите обезскрежаването. Подсушете водата след обезскрежаването със суха кърпа.
- След обезскрежаването поставете обратно храните в хладилника и го включете.

Прекъсване на работата

- Прекъсване на електрозахранването: в такъв случай, дори през лятото, храната в уреда може да се запази за няколко часа. По време на прекъсване на електрозахранването ограничете броя на отварянията на вратата и не добавяйте повече прясна храна в уреда.
- Продължително неизползване: уредът трябва да се изключи от електрическата мрежа и да се почисти. След това вратите трябва да се оставят отворени, за да се предотврати образуването на миризми.
- Преместване: преди да преместите уреда, изпразнете го от съдържанието му и закрепете. със самозалепваща се лента стъклените рафтове, чекмеджето за зеленчуци, чекмеджетата на фризера и др., и затегнете отново нивелиращите крачета. Затворете вратите и ги закрепете със самозалепваща се лента. Когато премествате уреда, не го поставяйте преобърнат с горната част надолу, не го поставяйте в хоризонтално положение и не го подлагайте на вибрации; при преместване уредът не трябва да се накланя на повече от 45°.



След пускане уредът трябва да работи непрекъснато. По принцип работата на уреда не трябва да се прекъсва, в противен случай може да се намали експлоатационният му живот.

ОТСТРАНЯВАНЕ НА НЕИЗПРАВНОСТИ

Можете да се опитате сами да решите следните несложни неизправности.

Ако не можете да се справите, моля, свържете се с отдела за следпродажбено обслужване.

Уредът не работи	Проверете дали уредът е включен към захранването или дали щепселът е включен в изправен контакт Проверете дали напрежението е твърде ниско Проверете дали има прекъсване на електрозахранването или частични изключения на токовете кръгове
Неприятен мирис	Храните със силен мирис трябва да са плътно опаковани Проверете дали няма развалена храна Почистете вътрешността на хладилника.
Продължителна работа на компресора	Продължителната работа на хладилника е нормална през лятото, когато температурата на околната среда е висока Не е препоръчително в уреда да се съхранява едновременно твърде много храна Храната трябва да се охлади, преди да бъде поставена в уреда Вратите се отварят твърде често
Осветлението не светва	Проверете дали хладилникът е свързан към електрозахранването и дали осветителната лампа не е повредена.
Вратите не се затварят плътно	Вратата е блокирана от опаковки с храна Хладилникът е наклонен
Силни шумове	Проверете дали подът е равен и дали хладилникът е поставен стабилно Проверете дали аксесоарите са поставени на правилните места
Уплътненията на вратата не осигуряват херметичност	Отстранете всички чужди тела върху уплътненията на вратата Нагрейте уплътнението на вратата и след това го охладете, за да възстановите първоначалната си форма (за нагриване използвайте електрически сешоар или гореща кърпа)
Тавичката за вода прелива	В уреда има твърде много храна или съхраняваната храна съдържа твърде много вода, което води до интензивно размразяване. Вратите не са затворени плътно, което води до замръзване поради навлизането на въздух и увеличаване на водата поради обезскрежаването
Корпусът е горещ	Разсейването на топлината от вградения кондензатор се осъществява чрез корпуса, което е нормално. Когато корпусът се нагорещи поради висока околна температура и съхранение на твърде много храна, се препоръчва да се осигури добра вентилация, за да се улесни разсейването на топлината.

Конденз по повърхността	Кондензът по външната повърхност и уплътненията на вратата на хладилника е нормална, когато влажността на околната среда е твърде висока. Просто избършете конденза с чиста кърпа.
Необичайни шумове	Бръмчене: Компресорът може да издава бръмчене по време на работа, като бръмченето е особено силно при пускане или спиране. Това е нормално. Скърцане: Хладилният агент, който циркулира във вътрешността на уреда, може да издава скърцащ шум, което е нормално.

Предупреждения при изхвърляне



Използваните в уреда хладилен агент и разпенващият агент на циклопентанова основа са запалими. Поради това, когато уредът се изхвърля, той трябва да се премести далеч от всякакви източници на огън и да се събере от специализирана фирма със съответната квалификация, а не да се унищожава чрез изгаряне, за да се избегне причиняването на щети на околната среда или други щети.



Когато изхвърляте хладилника, разглобете вратите и отстранете уплътнението на вратите и рафтовете; поставете вратите и рафтовете на подходящо място, така че да предотвратите затварянето на деца вътре.



Правилно изхвърляне на този продукт:

Тази маркировка указва, че този продукт не трябва да се изхвърля заедно с други битови отпадъци в целия ЕС. За да предотвратите възможни щети за околната среда или човешкото здраве от неконтролирано изхвърляне на отпадъци, рециклирайте го отговорно, за да насърчите устойчивото повторно използване на материалните ресурси. За да върнете използвания уред, моля, използвайте системите за връщане и събиране или се свържете с търговеца на дребно, където е закупен продуктът. Те могат да приемат този продукт за безопасно за околната среда рециклиране.

SIGURNOSNA UPOZORENJA

- OVAJ uređaj je namijenjen za korištenje u kućanstvu i sličnim aplikacijama kao što su kuhinje za osoblje u trgovinama, uređima i drugim radnim okruženjima; seoskim kućama i od strane klijenata u hotelima, motelima i drugim stambenim okruženjima; okruženja tipa noćenje i doručak; ugostiteljstvo i slične nemaloprodajne primjene.
- OVAJ uređaj nije namijenjen za korištenje od strane osoba (uključujući djecu) sa smanjenim fizičkim, osjetilnim ili mentalnim sposobnostima, ili nedostatkom iskustva i znanja, osim ako nisu pod nadzorom ili su dobili upute o korištenju uređaja od strane osobe odgovorne za njihovu sigurnost.)
- DJECU treba nadzirati kako se ne bi igrala s uređajem. Ako je kabel za napajanje oštećen, mora ga zamijeniti proizvođač, njegov serviser ili slično kvalificirana osoba kako bi se izbjegla opasnost.
- U ovom uređaju nemojte pohranjivati eksplozivne tvari poput limenki aerosola sa zapaljivim pogonskim plinom.
- Aparat se mora isključiti iz utičnice nakon uporabe i prije održavanja uređaja od strane korisnika.
- Otvore za ventilaciju, u kućištu uređaja ili u ugradbenoj strukturi, držite slobodnima od prepreka.
- Nemojte koristiti mehaničke uređaje ili druga sredstva za ubrzavanje procesa odmrzavanja, osim onih koje preporučuje proizvođač.
- Nemojte oštetiti krug rashladnog sredstva.
- Ne koristite električne uređaje unutar odjeljaka za pohranu hrane u uređaju, osim ako nisu one vrste koju preporučuje proizvođač.
- Napustite hladnjak u skladu s lokalnim propisima jer koristi zapaljivi plin i rashladno sredstvo.
- Prilikom postavljanja uređaja, pazite da kabel za napajanje nije uklješten ili oštećen.
- Nemojte locirati više prijenosnih utičnica ili prijenosnih izvora napajanja na stražnjoj strani uređaja.
- Nemojte koristiti produžne kabele ili neuzemljene adaptere (s dva zupca).
- Opasnost od uklještenja djeteta. Prije nego što bacite svoj stari hladnjak ili zamrzivač:
 - Skinite vrata.
 - Ostavite police na mjestu kako djeca ne bi mogla lako ući unutra.
- Hladnjak mora biti isključen iz izvora električne energije prije pokušaja ugradnje dodatnog pribora.
- RASHLADNO SREDSTVO i materijal za pjenjenje ciklopentan koji se koristi za uređaj su zapaljivi. Stoga, kada se uređaj rashoduje, treba ga držati dalje od bilo kakvog izvora vatre i vratiti ga posebna tvrtka za oporabu s odgovarajućom kvalifikacijom osim zbrinuti spaljivanjem, kako bi se spriječila šteta za okoliš ili bilo koja druga šteta.
- Ovaj uređaj mogu koristiti djeca starija od 8 godina i osobe sa smanjenim fizičkim osjetilnim ili mentalnim sposobnostima ili nedostatkom iskustva i znanja ako su pod nadzorom ili su ih dobili upute u vezi s korištenjem uređaja na siguran način i razumiju opasnosti uključeni. Djeca se ne smiju igrati s uređajem. Čišćenje i korisničko održavanje ne smiju obavljati djeca bez nadzor. Djeci od 3 do 8 godina dopušten je utovar i istovar rashladnih uređaja.
- Potreba da se, za vrata ili poklopce opremljene bravama i ključevima, ključevi drže izvan dohvata djece, a ne u blizini rashladnog uređaja, kako bi se spriječio da se djeca zaključaju unutra.
- DA biste izbjegli kontaminaciju hrane pridržavajte se sljedećih uputa:
 - Dugotrajno otvaranje vrata može uzrokovati značajno povećanje temperature u odjeljcima uređaja.
 - Redovito čistite površine koje mogu doći u dodir s hranom i dostupne odvodne sustave.
 - Očistite spremnike za vodu ako nisu korišteni 48 h; isperite vodovodni sustav spojen na vodovod ako voda nije crpljena 5 dana. (bilješka 1)
 - Store raw meat and fish in suitable containers in the refrigerator, so that it is not in contact with or drip onto other food.
 - Sirovo meso i ribu čuvajte u prikladnim posudama u hladnjaku, tako da ne dolaze u dodir s drugom hranom ili kapaju po njoj.
 - Odjeljci za smrznutu hranu s dvije zvjezdice prikladni su za spremanje prethodno smrznute hrane, spremanje ili izradu sladoleda i izradu kockica leda. (Napomena 2)
 - Odjeljci s jednom, dvije i tri zvjezdice nisu prikladni za zamrzavanje svježe hrane. (bilješka 3)
 - Ako je rashladni uređaj dulje vrijeme prazan, isključite ga, odmrznite, očistite, osušite i ostavite otvorena vrata kako biste spriječili stvaranje plijesni unutar uređaja.
- Napomena 1,2,3,4: Molimo potvrdite je li primjenjivo prema vrsti odjeljka vašeg proizvoda.
- ZA samostojeći uređaj: ovaj rashladni uređaj nije namijenjen za korištenje kao ugradbeni uređaj
- BILO KAKVU zamjenu ili održavanje LED svjetiljki treba izvršiti proizvođač, njegov serviser ili slična kvalificirana osoba.
- Ovaj proizvod sadrži izvor svjetla klase energetske učinkovitosti (F).

Značenje sigurnosnih simbola upozorenja



Ovo je simbol zabrane. Svaka neusklađenost s upute označene ovim simbolom mogu dovesti do oštećenja proizvoda ili ugroziti osobnu sigurnost korisnika.



Ovo je simbol upozorenja. Potrebno je raditi uz strogo poštivanje uputa označenih ovim simbolom; ili na drugi način može doći do oštećenja proizvoda ili osobne ozljede.



Ovo je simbol upozorenja. Upute označene ovim simbolom zahtijevaju poseban oprez. Nedovoljan oprez može rezultirati lakšom ili srednje teškom ozljedom ili oštećenjem proizvoda.

Ovaj priručnik sadrži puno važnih sigurnosnih informacija kojih se korisnici moraju pridržavati.

Upozorenja vezana uz struju

- Nemojte povlačiti kabel za napajanje kada izvlačite utikač hladnjaka. Čvrsto uhvatite utikač i izravno ga izvucite iz utičnice.
- Kako biste osigurali sigurnu uporabu, nemojte oštetiti kabel za napajanje ili koristiti kabel za napajanje ako je oštećen ili istrošen.
- Koristite namjensku utičnicu, a utičnica se ne smije dijeliti s drugim električnim uređajima.
- Utikač mora biti čvrsto u kontaktu s utičnicom jer inače može doći do požara.
- Provjerite je li elektroda za uzemljenje utičnice opremljena pouzdanim uzemljenjem.
- Zatvorite ventil ispuštanja plina i otvorite vrata i prozore u slučaju istjecanja plina i drugih zapaljivih plinova. Ne isključujte hladnjak i druge električne uređaje jer iskra može izazvati požar.
- Ne koristite električne uređaje na vrhu uređaja, osim ako nisu one vrste koju preporučuje proizvođač.

Upozorenja za korištenje

- Nemojte samovoljno rastavljati ili rekonstruirati hladnjak, niti oštetiti krug rashladnog sredstva; održavanje uređaja mora provoditi stručnjak.
- Oštećeni kabel za napajanje mora zamijeniti proizvođač, njegov odjel za održavanje ili srodni stručnjaci kako bi se izbjegla opasnost.
- Razmaci između vrata hladnjaka i između vrata i kućišta hladnjaka su mali, imajte na umu da ne stavljate ruku u ta područja kako biste spriječili stiskanje prsta. Budite pažljivi kada otvarate vrata hladnjaka kako biste izbjegli pad predmeta.
- Ne birajte hranu ili posude mokrim rukama u komori za zamrzavanje dok hladnjak radi, posebno metalne posude kako biste izbjegli ozebline.
- Ne dopustite nijednom djetetu da uđe ili se popne na hladnjak; u protivnom može doći do gušenja ili ozljeda djeteta pri padu.
- Ne stavljajte teške predmete na vrh hladnjaka s obzirom na to da bi objekti mogli pasti kada se zatvaraju ili otvaraju vrata, što može uzrokovati slučajne ozljede.
- Isključite utikač u slučaju nestanka struje ili čišćenja. Ne spajajte zamrzivač na napajanje unutar pet minuta kako biste spriječili oštećenje kompresora uslijed uzastopnih pokretanja.

Upozorenja za plasman

- Ne stavljajte zapaljive, eksplozivne, hlapljive i visoko korozivne predmete u hladnjak kako biste spriječili oštećenje proizvoda ili požar.
- Ne stavljajte zapaljive predmete blizu hladnjaka kako biste izbjegli požar.
- Hladnjak je namijenjen za korištenje u kućanstvu, kao što je skladištenje namirnica; ne smije se koristiti u druge svrhe, kao što je skladištenje krvi, lijekova ili bioloških proizvoda itd.
- Nemojte spremati pivo, piće ili drugu tekućinu sadržanu u bocama ili zatvorenim posudama u komoru za zamrzavanje hladnjaka; inače bi boce ili zatvoreni spremnici mogli puknuti zbog smrzavanja i uzrokovati oštećenja.

Upozorenja za energiju

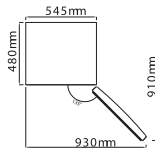
1. Rashladni uređaji možda neće raditi dosljedno (mogućnost odmrzavanja sadržaja ili temperatura koja postaje previsoka u odjeljku za smrznutu hranu) ako se dulje vrijeme nalaze ispod hladnog kraja raspona temperatura za koje je rashladni uređaj dizajniran.
2. Činjenica da se gazirana pića ne smiju čuvati u odjeljcima ili ormarima za zamrzavanje hrane ili u odjeljcima ili ormarima s niskom temperaturom, te da se neki proizvodi poput vodenog leda ne smiju konzumirati prehladni;
3. Potreba da se ne prekorači vrijeme(a) skladištenja koje preporučuju proizvođači hrane za bilo koju vrstu hrane, a posebno za komercijalno brzo smrznutu hranu u zamrzivaču hrane i odjeljcima ili ormarima za skladištenje smrznute hrane;
4. Mjere opreza potrebne za sprječavanje nepotrebnog porasta temperature smrznute hrane tijekom odmrzavanja rashladnog uređaja, kao što je umatanje smrznute hrane u nekoliko slojeva novina.
5. Činjenica da porast temperature zamrznute hrane tijekom ručnog odmrzavanja, održavanja ili čišćenja može skratiti vijek trajanja.

PRAVILNO KORIŠTENJE HLADNJAKA

Plasman

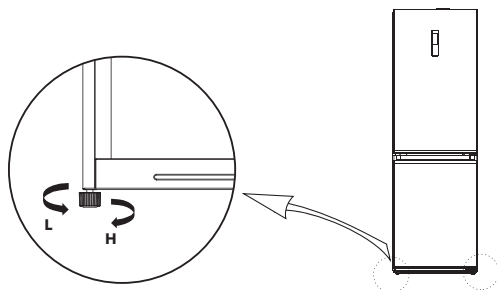
- Prije uporabe uklonite sav materijal za pakiranje, uključujući donje jastuke, pjenaste jastučice i trake unutar hladnjaka; skinite zaštitnu foliju na vratima i kućištu hladnjaka.
- Držite podalje od topline i izbjegavajte izravnu sunčevu svjetlost. Ne stavljajte zamrzivač na vlažna ili vodena mjesta kako biste spriječili hrđu ili smanjenje izolacijskog učinka.
- Nemojte prskati ili prati hladnjak; nemojte stavljati hladnjak na vlažna mjesta koja se lako mogu poprskati vodom kako ne biste utjecali na svojstva električne izolacije hladnjaka.
- Hladnjak je smješten u dobro prozračenom zatvorenom prostoru; tlo mora biti ravno i čvrsto (okrenite lijevo ili desno kako biste podesili kotač za izravnavanje ako je nestabilno).
- Gornji prostor hladnjaka mora biti veći od 30 cm, a hladnjak treba postaviti uza zid sa slobodnim razmakom većim od 10 cm kako bi se olakšala disipacija topline.

- Ostavite dovoljno prostora za praktično otvaranje vrata i ladica.



Slika iznad je samo za referencu. Stvarna konfiguracija ovisit će o fizičkom proizvodu ili izjavi distributera.

Noge za izravnavanje


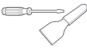




Slika iznad je samo za referencu. Stvarna konfiguracija ovisit će o fizičkom proizvodu ili izjavi distributera.

Postupci prilagodbe:

- Okrenite nožice u smjeru kazaljke na satu kako biste podigli hladnjak;
- Okrenite nožice u smjeru suprotnom od kazaljke na satu kako biste spustili hladnjak;
- Namjestite desnu i lijevu nogu na vodoravnu razinu prema gore navedenim postupcima.

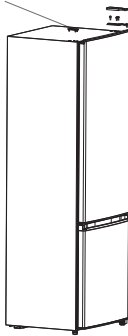
Promjena vrata desno-lijevo

Popis potrebnog alata			
	Križni odvijač		Nož za kit odvijač s tankom oštricom
	5/16" ključ		Samoljepljiva traka

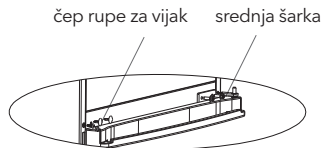
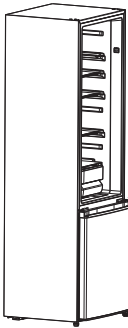
Dijelovi koji će se koristiti za obrnuto vrata			
SN	Dio	Količina	Bilješke
1	Desna gornja šarka	1	Unaprijed instaliran na hladnjaku, i dalje se koristi kada su vrata okrenuta
2	Gornji vijak šarke	3	Unaprijed ugrađen na hladnjak i koristi se prilikom mijenjanja vrata
3	Vijak srednjeg zgloba	2	Unaprijed ugrađen na hladnjak i koristi se prilikom mijenjanja vrata
4	Srednji zglob	1	Unaprijed ugrađen na hladnjak i koristi se prilikom mijenjanja vrata
5	Čep za rupe	2	Unaprijed ugrađen na hladnjak i koristi se prilikom mijenjanja vrata
6	Podesiva noga	1	Unaprijed ugrađen na hladnjak i koristi se prilikom mijenjanja vrata
7	Vijak donjeg zgloba	3	Unaprijed ugrađen na hladnjak i koristi se prilikom mijenjanja vrata
8	Sklop donjeg zgloba	1	Unaprijed ugrađen na hladnjak i koristi se prilikom mijenjanja vrata
9	Vijak donjeg kraja poklopca vrata za zamrzavanje	1	Unaprijed ugrađen na hladnjak i koristi se prilikom mijenjanja vrata
10	Donji krajnji poklopac ograničavajući blok vrata za zamrzavanje	1	Unaprijed ugrađen na hladnjak i koristi se prilikom mijenjanja vrata
11	Vijak donjeg kraja poklopca vrata hladnjaka	1	Unaprijed ugrađen na hladnjak i koristi se prilikom mijenjanja vrata
12	Držač vrata hladnjaka desni	1	Unaprijed ugrađen na hladnjak i koristi se prilikom mijenjanja vrata
13	Vrata hladnjaka lijevo čep	1	U priloženoj plastičnoj vrećici, izvadite ih za upotrebu kada su vrata okrenuta

1. Uklonite svu hranu iz unutarnje obloge vrata.
2. Skinite poklopac gornje šarke, gornju šarku i poklopac rupe s druge strane

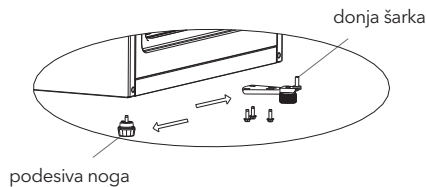
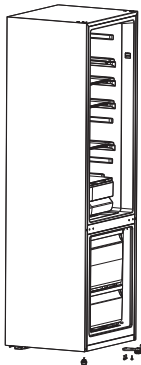
kapa za rupu



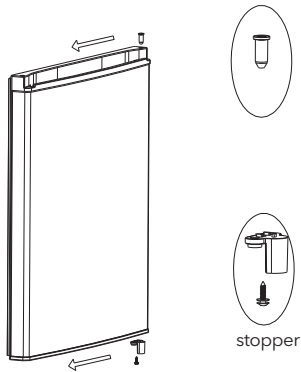
3. Uklonite vrata hladnjaka, srednju šarku i kapice otvora za vijake s druge strane.



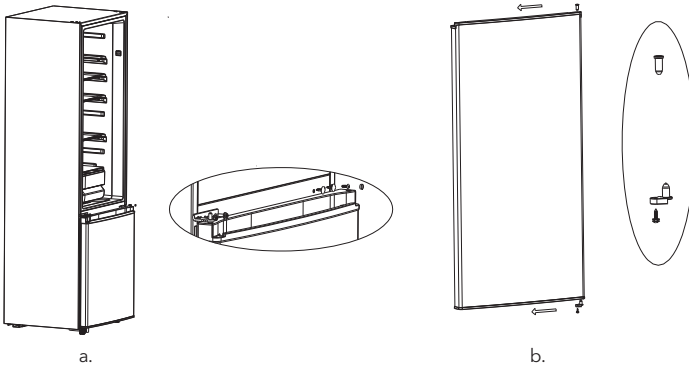
4. Uklonite vrata zamrzivača i rastavite donju šarku i lijevu podesivu nogu. Promijenite položaj ugradnje donje šarke i podesive stopice i pričvrstite donju šarku pričvršćivanjem vijaka.



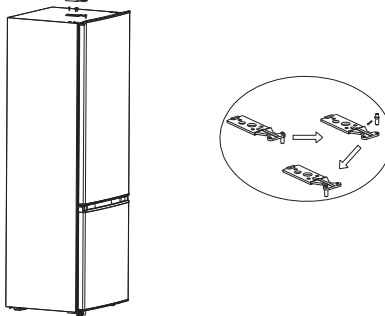
5. Rastavite graničnik vrata zamrzivača i postavite ga na drugu stranu pričvršćivanjem vijka.



6. Stavite vrata zamrzivača na donju šarku, zatim postavite srednju šarku i zavijte kapice rupa (a).
Demontirajte graničnik vrata hladnjaka i postavite ga na drugu stranu pričvršćivanjem vijka (b).



7. Promijenite položaj ugradnje osovine gornje šarke kao što je prikazano u nastavku, zatim stavite vrata hladnjaka na srednju šarku i pričvrstite gornju šarku pričvršćivanjem vijaka, kako biste na kraju postavili poklopac gornje šarke i poklopac otvora.



Mijenjanje svjetla

Svaku zamjenu ili održavanje LED svjetiljki treba izvršiti proizvođač, njegov serviser ili slična kvalificirana osoba.

Početak rada

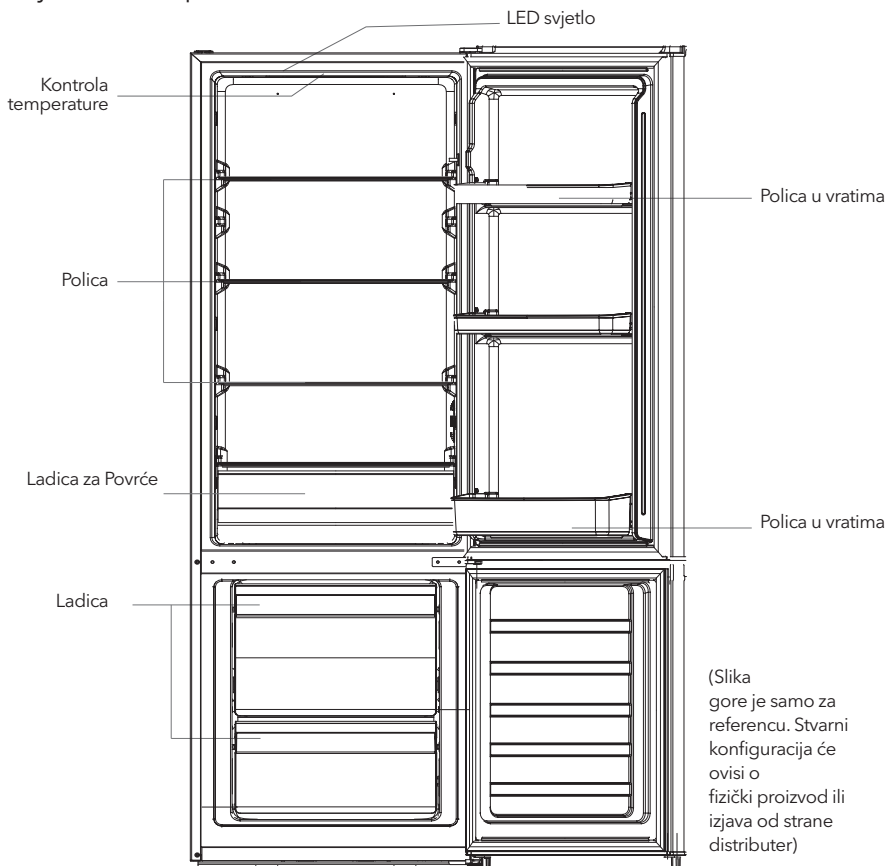
- Nakon transporta, ostavite proizvod da odstoji više od 2 sata prije uključivanja napajanja, inače će doći do smanjenja kapaciteta hlađenja ili oštećenja proizvoda.
- Prije stavljanja bilo kakve svježe ili zamrznute hrane, hladnjak mora raditi 2-3 sata, ili više od 4 sata ljeti kada je temperatura okoline visoka.
- Isključite utikač u slučaju nestanka struje ili čišćenja. Ne spajajte zamrzivač na napajanje unutar pet minuta kako biste spriječili oštećenje kompresora uslijed uzastopnih pokretanja.

Savjeti za uštedu energije

- Aparat bi trebao biti smješten u najhladnijem dijelu prostorije, dalje od uređaja koji proizvode toplinu ili grijaćih kanala i izvan izravne sunčeve svjetlosti.
- Neka se topla hrana ohladi na sobnu temperaturu prije stavljanja u uređaj. Preopterećenje uređaja prisiljava kompresor da radi duže. Hrana koja se presporo zamrzava može izgubiti kvalitetu ili se pokvariti.
- Obavezno pravilno zamotajte hranu i obrišite posude suhom prije nego ih stavite u uređaj. Time se smanjuje nakupljanje leda unutar uređaja.
- Posuda za pohranjivanje u uređaju ne smije biti obložena aluminijskom folijom, voštanim papirom ili papirnatim ručnicima. Obloge ometaju cirkulaciju hladnog zraka, čineći uređaj manje učinkovitim.
- Organizirajte i označite hranu kako biste smanjili otvaranje vrata i duže pretrage. Uklonite onoliko predmeta koliko je potrebno odjednom i zatvorite vrata što je prije moguće.

GRAĐA I FUNKCIJE

Ključne komponente



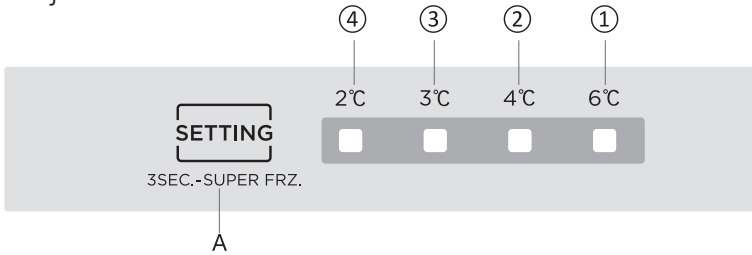
Rashladna komora

- Rashladna komora je pogodna za skladištenje raznovrsnog voća, povrća, pića i druge hrane koja se konzumira u kratkom roku. Preporučeno vrijeme skladištenja 3 do 5 dana.
- Hrana za kuhanje ne smije se stavljati u rashladnu komoru dok se ne ohladi na sobnu temperaturu.
- Preporuča se da se hrana zatvori prije stavljanja u hladnjak.
- Staklene police mogu se podesiti gore ili dolje za razumnu količinu prostora za pohranu i jednostavnu upotrebu.

Komora za zamrzavanje

- Komora za zamrzavanje na niskim temperaturama može dugo zadržati svježinu hrane i uglavnom se koristi za pohranjivanje smrznute hrane i izradu leda.
- Komora za zamrzavanje prikladna je za skladištenje mesa, ribe, rižinih okruglica i drugih namirnica koje se ne planiraju konzumirati u kratkom roku.
- Komade mesa poželjno je podijeliti na male komade radi lakšeg pristupa. Napominjemo da se hrana mora konzumirati unutar preporučenog vremena boravka na polici.
- Ladice, kutije za hranu, police itd. postavljene prema položaju na gornjoj slici su energetske najučinkovitije.

Funkcije



Slika iznad je samo za referencu. Stvarna konfiguracija ovisit će o fizičkom proizvodu ili izjavi distributera.

1. Ključ

A. Tipka za podešavanje (gumb za podešavanje temperature u odjeljku hladnjaka)

2. Zaslون

LED ① postavka 1: 6°C

LED ② postavka 2: 4°C

LED ③ postavka 3: 4°C

LED ④ postavka 4: 2°C

3. Prikaz

Nakon što se prvi put uključi, zaslon je u punom prikazu 3 sekunde, a zatim hladnjak radi prema postavci 2 (4°C).

U slučaju kvara, odgovarajuća LED lampica treperi.

U slučaju da nema kvarova, prikazuje stvarnu postavku temperature hladnjaka.

Šifra greške Opis greške

LED ① Senzor temperature okoline

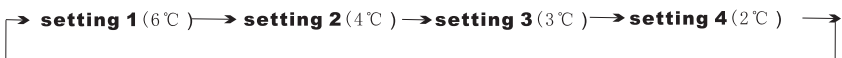
LED ③ Senzor za odleđivanje hladnjaka

LED ④ Krug osjetnika temperature hladnjaka

4. Podešavanje temperature

Svaki put kad se jednom pritisne tipka za podešavanje temperature A, postavka temperature se mijenja jednom. Nakon što je podešavanje temperature završeno, hladnjak će raditi prema postavljenoj vrijednosti nakon 30 sekundi.

Regulacija smjene je:

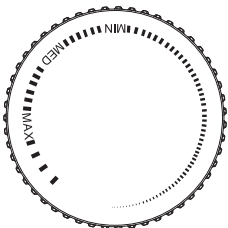


5. Super zamrzavanje

Dugo pritisnite tipku za podešavanje temperature 3 s, nakon LED ② i LED ③ rasvjeta za 30s, te ćete ući u funkciju Super zamrzavanja.

Dugi pritisak na tipku za podešavanje temperature 3 sekunde mogao bi otkazati način super zamrzavanja.

Kontrola temperature



- Okrenite regulator temperature na MAX, unutarnja temperatura hladnjaka postaje niža.
- Okrenite regulator temperature na MIX, unutarnja temperatura hladnjaka postaje viša.
- Podesite temperaturu između "MAX" i "MIN".

ODRŽAVANJE I NJEGA HLADNJAKA

Generalno čišćenje

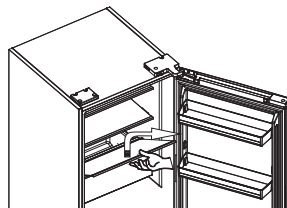
- Prašina iza hladnjaka i na tlu mora se pravovremeno očistiti kako bi se poboljšao učinak hlađenja i ušteda energije.
- Redovito provjeravajte brtvu na vratima kako biste bili sigurni da nema nečistoća. Očistite brtvu vrata mekom krpom navlaženom sapunicom ili razrijeđenim deterdžentom.
- Unutrašnjost hladnjaka treba redovito čistiti kako biste izbjegli neugodne mirise.
- Isključite struju prije čišćenja unutrašnjosti, uklonite svu hranu, pića, police, ladice itd.
- Za čišćenje unutrašnjosti hladnjaka koristite meku krpu ili spužvu, s dvije žlice sode bikarbone i litrom tople vode. Zatim isperite vodom i obrišite. Nakon čišćenja, otvorite vrata i ostavite da se osuši prirodnim putem prije uključivanja napajanja.
- Za područja koja je teško čistiti u hladnjaku (kao što su uski sendviči, praznine ili kutovi), preporuča se redovito brisanje mekom krpom, mekom četkom itd., a po potrebi i u kombinaciji s nekim pomoćnim alatom (npr. kao tanke štapiće) kako bi se spriječilo nakupljanje kontaminata ili bakterija u tim područjima.
- Nemojte koristiti sapun, deterdžent, prašak za ribanje, sredstvo za čišćenje u spreju itd., jer oni mogu uzrokovati mirise u unutrašnjosti hladnjaka ili kontaminirane hrane.
- Očistite okvir boce, police i ladice mekom krpom navlaženom sapunicom ili razrijeđenim deterdžentom. Osušite mekom krpom ili osušite prirodnim putem.
- Obrišite vanjsku površinu hladnjaka mekom krpom navlaženom sapunicom, deterdžentom itd., a zatim obrišite suhom.
- Nemojte koristiti tvrde četke, čiste čelične kuglice, žičane četke, abrazive (kao što su paste za zube), organska otapala (kao što su alkohol, aceton, ulje banane itd.), kipuću vodu, kisele ili alkalne predmete, koji mogu oštetiti hladnjak površine i unutrašnjosti. Kipuća voda i organska otapala poput benzena mogu deformirati ili oštetiti plastične dijelove.
- Nemojte ispirati izravno vodom ili drugim tekućinama tijekom čišćenja kako biste izbjegli kratke spojeve ili utjecali na električnu izolaciju nakon uranjanja.



Isključite hladnjak radi odmrzavanja i čišćenja.

Čišćenje staklene police

- Izvadite ladicu na staklenoj polici;
- Podignite prednji dio staklene police (oko 60°), a zatim izvucite;
- Uklonite staklenu policu i očistite je po potrebi;
- Obrnuti postupak je za postavljanje staklene police.



Odmrzavanje

- Isključite hladnjak.
- Izvadite hranu iz hladnjaka i pravilno je postavite kako biste spriječili topljenje hrane.
- Očistite odvodnu cijev (kako biste upotrijebili mekane materijale kako biste spriječili oštećenje obloge), pripremite posude s vodom za odmrzavanje. (obratite pažnju na čišćenje ladice za odvod vode u odjeljku kompresora, izbjegavajući prelijevanje na tlo).
- Možete koristiti prirodnu temperaturu za prirodno odmrzavanje, također možete koristiti lopatu za led za uklanjanjeinja (koristite plastičnu ili drvenu lopatu za led, kako biste izbjegli oštećenje košuljice ili cijevi) Također možete koristiti odgovarajuću količinu vruće vode za ubrzanje odmrzavanja, suhim ručnikom za sušenje vode nakon odmrzavanja.
- Nakon odmrzavanja, vratite hranu u ormarić i uključite hladnjak.

Izvan pogona

- Nestanak struje: U slučaju nestanka struje, čak i ako je ljeti, hrana se unutar uređaja može zadržati nekoliko sati; tijekom nestanka struje vrijeme otvaranja vrata mora se smanjiti i više se ne smije stavljati svježja hrana u uređaj.
- Dugotrajna neuporaba: Aparat treba isključiti iz struje i zatim očistiti; tada se vrata ostavljaju otvorena kako bi se spriječio miris.
- Premještanje: Prije premještanja hladnjaka, izvadite sve predmete iznutra prema van, pričvrstite staklene pregrade, držač povrća, ladice komore za zamrzavanje itd. s trakom i zategnite nožice za izravnavanje; zatvorite vrata i popravite ih trakom. Tijekom premještanja uređaj ne smije biti položen naopako ili vodoravno, niti se smije vibrirati; nagib tijekom kretanja ne smije biti veći od 45°.



Uređaj mora raditi neprekidno nakon što se pokrene. Općenito, rad uređaja ne smije se prekidati; u protivnom može doći do smanjenja radnog vijeka.

RJEŠAVANJE PROBLEMA

Možete pokušati sami riješiti sljedeće jednostavne probleme. Ako ih nije moguće riješiti, obratite se postprodajnom odjelu.

Neuspješna operacija	Provjerite je li uređaj priključen na struju i je li utikač u dobrom kontaktu Provjerite je li napon prenizak Provjerite je li došlo do nestanka struje ili je došlo do okidanja djelomičnih strujnih krugova
Miris	Mirisna hrana mora biti čvrsto zamotana Provjerite ima li pokvarene hrane Očistite unutrašnjost hladnjaka
Dugotrajano djelovanje kompresora	Dugi rad hladnjaka je normalan ljeti kada je temperatura okoline visoka Nije preporučljivo imati previše hrane u uređaju u isto vrijeme Hrana se mora ohladiti prije stavljanja u uređaj Vrata se otvaraju prečesto
Svjetlo se ne pali	Provjerite da li je hladnjak priključen na struju i da li je lampica oštećena
Vrata ne mogu biti pravilno zatvorena	Vrata su zaglavljena paketima hrane Hladnjak je nagnut
Glasna buka	Provjerite je li pod ravan i je li hladnjak stabilno. Provjerite jesu li dodaci postavljeni na ispravna mjesta
Brtva na vratima nije čvrsta	Uklonite strane predmete s brtve vrata. Zagrijte brtvu vrata, a zatim je ohladite za obnavljanje (ili ispuhajte električnim sušilom ili upotrijebite vrući ručnik za grijanje)
Posuda za vodu se prelijeva	U komori ima previše hrane ili pohranjena hrana sadrži previše vode, što dovodi do jakog odmrzavanja Vrata nisu dobro zatvorena, što rezultira smrzavanjem zbog ulaska zraka i povećanom količinom vode zbog odmrzavanja
Vruće kućište	Odvođenje topline ugrađenog kondenzatora preko kućišta, što je normalno. Kada se kućište zagrije zbog visoke temperature okoline i skladištenja previše hrane, preporučuje se osigurati zvučnu ventilaciju kako bi se olakšala disipacija topline.

Površinska kondenzacija	Kondenzacija na vanjskoj površini i brtvama vrata hladnjaka je normalna kada je vlažnost zraka previsoka. Samo obrišite kondenzat čistim ručnikom.
Nenormalna buka	Zujanje: Kompresor može proizvoditi zujanje tijekom rada, a zujanje je glasno posebno nakon pokretanja ili zaustavljanja. Ovo je normalno. Škripa: Rashladno sredstvo koje teče unutar uređaja može izazvati škripu, što je normalno.

Upozorenja za odlaganje



Rashladno sredstvo i ciklopentanski pjenasti materijal koji se koristi za hladnjak su zapaljivi. Stoga, kada se hladnjak struže, treba ga držati podalje od bilo kakvog izvora vatre i treba ga oporaviti posebna tvrtka za oporabu s odgovarajućom kvalifikacijom, osim zbrinjavanja izgaranjem, kako bi se spriječila šteta za okoliš ili bilo kakva druga šteta.



Kada je hladnjak ostrugan, rastavite vrata i uklonite brtvu vrata i polica; postavite vrata i police na odgovarajuće mjesto kako biste spriječili zarobljavanje djeteta.



Ispravno odlaganje ovog proizvoda:

Ova oznaka označava da se ovaj proizvod ne smije odlagati s ostalim kućnim otpadom u cijeloj EU. Kako biste spriječili moguću štetu okolišu ili ljudskom zdravlju zbog nekontroliranog odlaganja otpada, reciklirajte ga odgovorno kako biste promicali održivu ponovnu upotrebu materijalnih resursa. Za vraćanje rabljenog uređaja upotrijebite sustave povrata i prikupljanja ili se obratite prodavaču kod kojeg je proizvod kupljen. Oni mogu odnijeti ovaj proizvod na ekološki prihvatljivo recikliranje.

BIZTONSÁGI FIGYELMEZTETÉSEK

- Ezt a készüléket háztartási célokra tervezték. Irodák és egyéb munkahelyek személyzeti konyháiban, családi házakban, szállodákban és motelekben, egyéb lakóhely jellegű környezetekben, panziókban, vendéglátóhelyeken és hasonló, nem kiskereskedelmi célú helyiségekben.
- A készüléket 8 éven aluli gyermekek, valamint fizikai, érzékszervi vagy értelmi képességeikben korlátozott, illetve a készüléket és annak használatát nem ismerő személyek csak olyan felügyelete mellett használhatják, aki a berendezés biztonságos módon történő használatára és az ezzel járó veszélyekre vonatkozó szabályokat megismerte.
- Ügyeljen rá, hogy gyermekei ne játszanak a készülékkel.
- Ha a tápkábel megsérül, a további veszélyek elkerülése érdekében azt csak a gyártó, annak szakszervize, vagy egy megfelelő végzettséggel rendelkező szakember cserélheti ki.
- Ne tároljon robbanásveszélyes anyagokat, például gyúlékony hajtóanyagot tartalmazó aeroszolos dobozokat a készülékben.
- A készüléket karbantartás és tisztítás idejére áramtalanítani kell.
- Tartsa szabadon a szellőzőnyílásokat.
- A leolvasztási folyamat felgyorsítására ne használjon a gyártó által nem javasolt mechanikus, vagy más eszközöket.
- Ne rongálja meg a hűtőközeg kört.
- Ne használjon elektromos készülékeket a készülék élelmiszer tároló rekeszeiben kivéve, ha azokat a gyártó kifejezetten ajánlja.
- A készüléket a helyi előírásoknak megfelelően ártalmatlanítsa a gyúlékony hűtőközeg miatt.
- A készülék elhelyezésekor ügyeljen arra, hogy a tápkábel ne akadjon be vagy sérüljön meg.
- Ne tároljon hosszabbítót a készülék mögött.
- Ne használjon hosszabbítót vagy földetlen (kétágú) adaptereket.
- Gyermekek csapdába esésének veszélye. Mielőtt kidobja régi hűtőszekrényét vagy fagyasztóját:
 - Vegye le az ajtókat.
 - Hagyja a polcokat a helyükön, hogy a gyerekek ne tudjanak könnyen bemászni a készülékbe.
- Áramtalanítsa a készüléket a tartozékok behelyezésekor.
- A hűtőszekrényhez használt hűtőközeg és a ciklopentán habosító anyag rendkívül gyúlékony. A nem használt hűtőszekrényt mindenféle tűzforrástól távol kell tartani, és a megfelelő képesítéssel rendelkező vállalkozásnak kell ártalmatlanítania.
- EN szabványhoz: A készüléket 8 éven aluli gyermekek, valamint fizikai, érzékszervi vagy értelmi képességeikben korlátozott, illetve a készüléket és annak használatát nem ismerő személyek csak olyan felügyelete mellett használhatják, aki a berendezés biztonságos módon történő használatára és az ezzel járó veszélyekre vonatkozó szabályokat megismerte.
- A zárral és kulccsal ellátott ajtók vagy fedelek esetében a kulcsokat a gyermekek számára elérhetetlen helyen és nem a hűtőkészülék közelében kell tartani annak érdekében, hogy senkit ne lehessen bezárni a készülékbe.
- Az élelmiszerek szennyeződésének elkerülése érdekében kérjük, tartsa be az alábbi utasításokat:
 - Az ajtó hosszú időre történő kinyitása a készülék rekeszeinek hőmérsékletének jelentős emelkedését okozhatja.
 - Rendszeresen tisztítsa meg az élelmiszerral érintkező felületeket és a hozzáférhető vízelvezető rendszereket.
 - Tisztítsa meg a víztartályokat, ha 48 órán keresztül nem használták őket; 5 nap után öblítse át a vízellátáshoz csatlakoztatott vízhálózatot
 - A nyers húst és halat megfelelő tárolóedényekben tárolja a hűtőszekrényben úgy, hogy ne érintkezzen más élelmiszerekkel.
 - A kétszintes fagyasztórekeszek alkalmasak előfagyasztott élelmiszerek tárolására, jégkrém tárolására vagy készítésére, valamint jégkockák készítésére.
 - A kétszintes fagyasztórekeszek alkalmasak előfagyasztott élelmiszerek tárolására, jégkrém tárolására vagy készítésére, valamint jégkockák készítésére.
 - A 4 csillagos rekesz nélküli készülékek esetében: ez a hűtőkészülék nem alkalmas élelmiszerek fagyasztására.
- Ha hosszabb ideig nem használja a készüléket, kapcsolja ki, olvassza le, tisztítsa és szárítsa meg, majd hagyja nyitva az ajtót, hogy megelőzze a készülékben a penész kialakulását.
- A szabadon álló készülékek nem alkalmasak beépítésre.
- A LED-lámpák cseréjét MINDEN esetben csak a gyártó, annak szervize vagy hasonló képesítéssel rendelkező személy végezheti.
- Ez a termék (F) energiahatékonysági osztályú fényforrást tartalmaz.

A figyelmeztető szimbólumok jelentése



Ez egy tiltó szimbólum. Az ezzel a szimbólummal jelölt utasítások be nem tartása a termék károsodását eredményezheti, vagy veszélyeztetheti a felhasználó épségét.



Ez egy figyelmeztető szimbólum. Az ezzel a szimbólummal jelölt utasításokat szigorúan be kell tartani; ellenkező esetben a termék károsodása vagy személyi sérülés következhet be.



Ez egy figyelmeztető szimbólum. Megfelelő óvintézkedésekre van szükség, különben kisebb vagy közepes mértékű sérülések vagy a termék károsodása következhet be.

Ez a kézikönyv számos fontos biztonsági információt tartalmaz, amelyeket a felhasználóknak be kell tartaniuk.

Elektromossággal kapcsolatos figyelmeztetések

- Soha ne a tápkábelnél fogva húzza ki a fagyasztó hálózati csatlakozóját. Fogja meg határozottan a villásdugót, és úgy húzza ki azt a konnektorból.
- A biztonságos használat érdekében semmilyen körülmények között ne rongálja meg a tápkábel, ne használja, ha az megsérült.
- A készülék üzemeltetéséhez önálló konnektort használjon, ne ossza meg más készülékkel. A hálózati csatlakozónak stabilan kell érintkeznie a konnektorral, különben tüzet okozhat.
- Ügyeljen arra, hogy a hálózati aljzat földelő elektródája megbízható földelő vezetékkel legyen ellátva.
- Zárja el a biztonsági szelepet, majd nyissa ki az ajtókat és ablakokat, ha gáz és más gyúlékony gázok szivárgását észleli. Ne húzza ki a hűtőszekrényt és más elektromos készülékeket, tekintettel arra, hogy az esetlegesen keletkező szikra tüzet okozhat.
- A biztonság érdekében nem ajánlott a fagyasztó tetejére műszaki eszközöket és egyéb, a gyártó által nem ajánlott készülékeket elhelyezni. Ne használjon elektromos készülékeket az ételtartó edényben.

Figyelmeztetések a használatra vonatkozóan

- Ne szerelje szét vagy építse át a hűtőszekrényt, és ne rongálja meg a hűtőkört; a készülék karbantartását minden esetben szakembernek kell elvégeznie.
- Ha a tápkábel megsérül, a további veszélyek elkerülése érdekében azt csak a gyártó, annak szakszervize, vagy egy megfelelő végzettséggel rendelkező szakember cserélheti ki.
- A hűtőszekrény ajtajai között, valamint az ajtók és a hűtőszekrényttest között a rések kicsik, ügyeljen arra, hogy ne tegye a kezét ezekre a területekre. Kérjük, legyen óvatos, amikor becsukja a hűtőszekrény ajtaját.
- Ne érjen a fagyasztórekeszben lévő élelmiszerekhez nedves, vizes kézzel, mert fagyási sérüléseket szenvedhet.
- Ne engedje, hogy gyermeke a hűtőszekrénybe másszon vagy felmásszon rá, mert súlyos sérüléseket szenvedhet.
- Ne helyezzen nehéz tárgyakat a hűtőszekrény tetejére, mert az ajtó becsukásakor vagy kinyitásakor azok leeshetnek, és balesetet okozhatnak.
- Áramszünet vagy tisztítás esetén húzza ki a villásdugót. Öt percen belül ne csatlakoztassa újra a hűtőszekrényt az áramforráshoz, hogy elkerülje a kompresszor károsodását.

Figyelmeztetések az elhelyezéshez

- Ne tegyen gyúlékony, robbanásveszélyes, illékony, vagy erősen maró dolgokat a hűtőszekrénybe.
- A tüzesetek elkerülése érdekében ne helyezzen gyúlékony tárgyakat a hűtőszekrény közelébe.
- A hűtőszekrény háztartási használatra, például élelmiszerek tárolására szolgál; nem használható más célra, például vér, gyógyszerek vagy biológiai termékek stb. tárolására.
- Ne tároljon sört, italt vagy más, palackokban vagy zárt tartályokban lévő folyadékot a hűtőszekrény fagyasztórekeszében, ellenkező esetben a palackok a fagyás következtében megrepedhetnek és kárt okozhatnak.

Egyéb figyelmeztetések

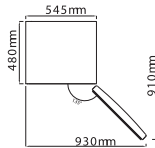
1. Előfordulhat, hogy a hűtőkészülék nem hűt egyenletesen a fagyaszttóba helyezett, még meleg élelmiszerek miatt, vagy ha hosszabb időn keresztül, magasabb hőmérsékleti viszonyok között üzemelteti a készüléket.
2. A pezsgőitalokat nem szabad a fagyasztó rekeszekben, illetve alacsony hőmérsékletű rekeszekben tárolni. Ügyeljen rá, hogy egyes italokat, például a jeges vizet nem szabad túl hidegen fagyasztani.
3. Javasoljuk, hogy az élelmiszer-gyártók által ajánlott tárolási idő(ke)t semmilyen élelmiszer esetében, különösen a kereskedelmi forgalomban kapható gyorsfagyasztott élelmiszerek esetében ne lépje túl. Rendszeresen ellenőrizze az ételek lejárat dátumát;
4. Leolvasztás idejére a fagyaszttóban tárolt élelmiszereket érdemes több rétegnyi újságpapírba tekerni, hogy lelassítsa azok felolvasztását.
5. A fagyasztott élelmiszerek tárolhatósági ideje a leolvasztási folyamat közben csökken.

A HŪTŐSZEKRÉNY HELYES HASZNÁLATA

Elhelyezés

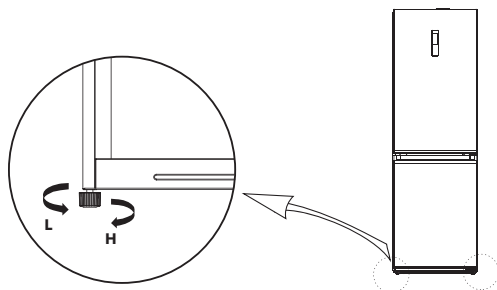
- A készülék használata előtt távolítsa el az összes csomagolóanyagot, beleértve az alsó habszivacs párnákat, valamint a készülék belsejében lévő szalagokat is, tépje le az ajtón és a készülékházon lévő védőfóliát.
- Tartsa távol hőforrásoktól és a közvetlen napfénytől. Ne tegye a készüléket nedves vagy vizes helyre, hogy elkerülje a rozsdásodást vagy a szigetelőhatás csökkenését.
- A fagyasztót jól szellőző, zárt helyen kell elhelyezni; a talajnak vízszintesnek és szilárdnak kell lennie.
- A fagyasztó tetejétől legalább 30 cm, és a hőelvezetés megkönnyítése érdekében a két oldaltól és a hátsó oldaltól való távolságnak legalább 10 cm-nek kell lennie.
- Ügyeljen rá, hogy a készüléket ne érje semmilyen folyadék.

- Biztosítson elegendő helyet az ajtó kinyitásához.



A kép csak illusztráció, a termék ettől eltérő lehet.

Szintezés







A fenti kép csak illusztráció, a termék ettől eltérő lehet.

Beállítási folyamat

- A hűtőszekrény felemeléséhez forgassa el a lábakat az óramutató járásával megegyező irányba;
- A hűtőszekrény leengedéséhez fordítsa el a lábakat az óramutató járásával ellentétes irányba;
- Állítsa a jobb és a bal lábat a fenti leírások alapján úgy, hogy a készülék vízszintesen álljon

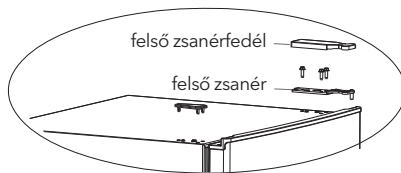
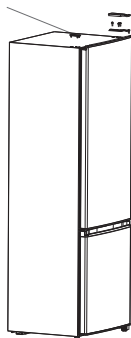
Ajtónyitás irányának megváltoztatása

A szükséges eszközök			
	Csillagcsavarhúzó		Lapos fejű csavarhúzó Spakli
	5/16" dugókulcs		Maszkolószalag

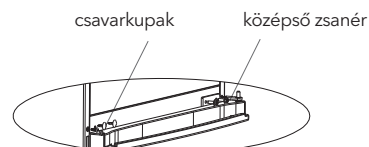
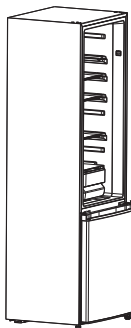
Ajtófordításhoz használandó alkatrészek			
Szsz	Alkatrész	Menny.	Megjegyzés
1	Jobb felső zsanér	1	Előre telepítve a hűtőszekrényre, és az ajtó cseréjekor kell használni.
2	Felső zsanércsavar	3	Előre telepítve a hűtőszekrényre, és az ajtó cseréjekor kell használni.
3	Középső zsanércsavar	2	Előre telepítve a hűtőszekrényre, és az ajtó cseréjekor kell használni.
4	Középső zsanér	1	Előre telepítve a hűtőszekrényre, és az ajtó cseréjekor kell használni.
5	Takaródugó	2	Előre telepítve a hűtőszekrényre, és az ajtó cseréjekor kell használni.
6	Állítható láb	1	Előre telepítve a hűtőszekrényre, és az ajtó cseréjekor kell használni.
7	Alsó zsanércsavar	3	Előre telepítve a hűtőszekrényre, és az ajtó cseréjekor kell használni.
8	Alsó zsanér szerelvény	1	Előre telepítve a hűtőszekrényre, és az ajtó cseréjekor kell használni.
9	A fagyasztóajtó alsó zárófedél csavarja	1	Előre telepítve a hűtőszekrényre, és az ajtó cseréjekor kell használni.
10	A fagyasztó ajtó alsó zárófedele, ajtóhatároló	1	Előre telepítve a hűtőszekrényre, és az ajtó cseréjekor kell használni.
11	A hűtőszekrény ajtajának alsó zárófedél csavarja	1	Előre telepítve a hűtőszekrényre, és az ajtó cseréjekor kell használni.
12	Hűtőszekrény ajtó jobb oldali ütköző	1	Előre telepítve a hűtőszekrényre, és az ajtó cseréjekor kell használni.
13	Hűtőszekrény ajtó bal oldali ütköző	1	A mellékelt tasakból vegye ki őket, amikor az ajtót átszereli.

1. Kapcsolja ki a hűtőszekrényt, és távolítsa el minden tárgyat az ajtótálcákról.
2. Szedje le a felső zsanérfedelelet, a felső zsanért és a másik oldali takarófedelelet.

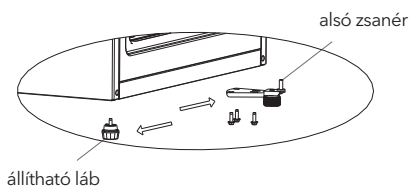
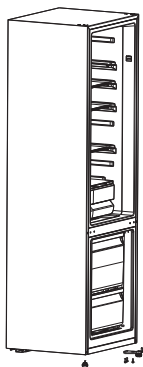
takarófedél



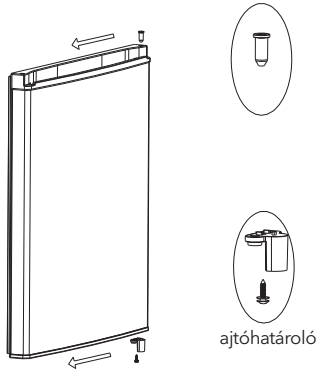
3. Távolítsa el a hűtőszekrény ajtaját, a középső zsanért és a másik oldal csavarfuratainak kupakjait.



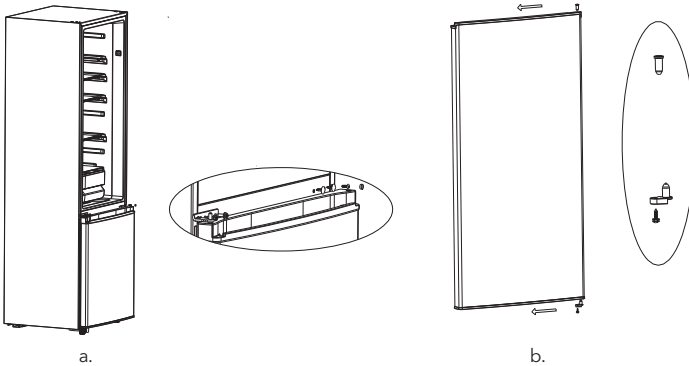
4. Vegye ki a fagyasztó ajtaját, szerelje le az alsó zsanért és a bal oldali állítható lábat. Cserélje meg az alsó zsanért és az állítható lábat és rögzítse az alsó zsanért a csavarok segítségével.



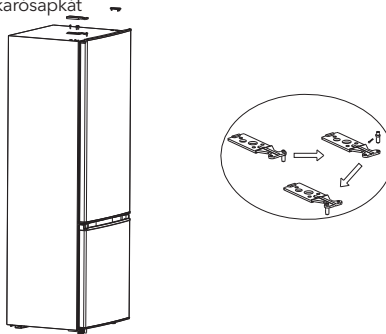
5. Szerelje le a fagyasztó ajtajának takaródugóját, és egy csavarral szerelje fel a másik oldalra.



6. Szerelje fel a fagyasztóajtót az alsó zsanérra, majd szerelje fel a középső zsanért, és fedje le a zsanérnyílást. Szerelje le a hűtőszekrény ajtajának ajtó dugóját, és szerelje fel a másik oldalra egy csavarral (b).



7. Cserélje meg a felső zsanértengely beépítési pozícióját az alábbiakban látható módon, majd helyezze a hűtőszekrény ajtaját a középső zsanérra, és rögzítse a felső zsanért a csavarokkal, végül szerelje fel a felső zsanérfedelelet és a takarósapkát



Az izzók cseréje

A LED-lámpák cseréjét vagy karbantartását csak a gyártó, annak szervize vagy hasonló képesítéssel rendelkező személy végezheti el.

Használatba vétel

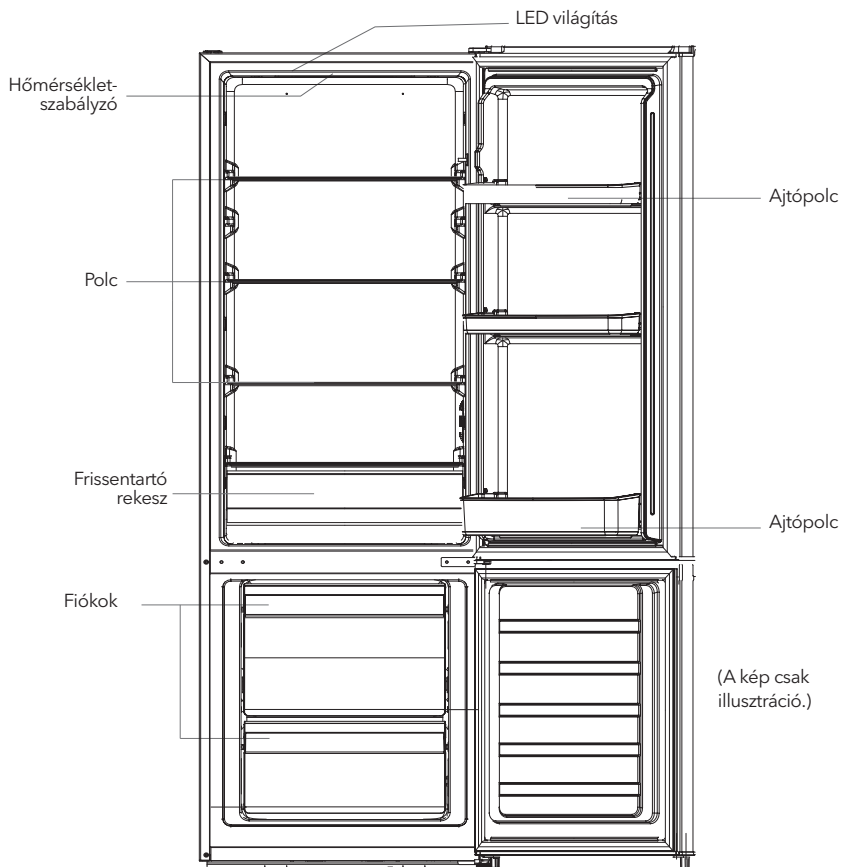
- Szállítás után hagyja a készüléket 2 óránál hosszabb ideig állni, mielőtt bekapcsolja, különben a hűtési teljesítmény csökkenéséhez vagy a termék károsodásához vezet.
- Működtesse a készüléket 2-3 órát mielőtt bepakolja a friss vagy fagyasztott élelmiszereket; magasabb környezeti hőmérsékletben ez 4 órát vesz igénybe.
- Áramszünet, vagy tisztítás idejére húzza ki a csatlakozót a konnektorból.

Energiatakarékossági tippek

- A készüléket a helyiség leghűvösebb részén kell elhelyezni, távol a hőleadó készülékektől, fűtőcsövektől és a közvetlen napfénytől.
- A forró ételeket előbb hűtse szobahőmérsékletűre, mielőtt hűtőbe teszi. A készülék túlterhelése miatt a kompresszor hosszabb ideig működik és több energiát fogyaszt.
- Ügyeljen arra, hogy az élelmiszerek megfelelően be legyenek csomagolva, törölje szárazra a tárolóedényeket, mielőtt a készülékbe helyezi azokat. Ez csökkenti a jégképződést a készülék belsejében.
- A készülék rekeszeit nem szabad alumíniumfóliával, viaszpapírral vagy papírtörölővel kibélelni. A különböző bélések akadályozzák a hideg levegő megfelelő áramlását és így a készülék kevésbé lesz hatékony.
- Rendszerezze és címkézzé fel az élelmiszereket, hogy csökkentse az ajtónyitások és a hosszú keresgélések számát. Egyszerre csak annyi terméket vegyen ki, amennyire szükség van, és a lehető leghamarabb zárja be az ajtót.

A KÉSZÜLÉK HELYES HASZNÁLATA

Főbb alkatrészek



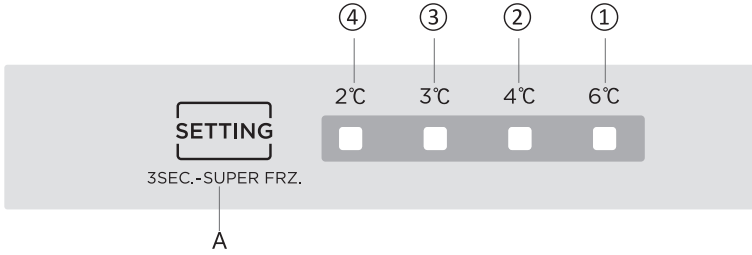
Hűtőrekesz

- A hűtőrekesz alkalmas különféle gyümölcsök, zöldségek, italok és egyéb rövid távon fogyasztott élelmiszerek tárolására.
- A frissen főzött zánt élelmiszereket nem szabad a hűtőbe helyezni, amíg szobahőmérsékletre le nem hűlnek.
- Az élelmiszereket ajánlott lezárni, mielőtt a hűtőszekrénybe kerülnének.
- Az üvegpolcok felfelé vagy lefelé állíthatók a megfelelő tárolóhely és a könnyű használat érdekében.

Fagyasztórekesz

- Az alacsony hőmérsékletű fagyasztókamra hosszú ideig frissen tarthatja az élelmiszereket, és elsősorban fagyasztott élelmiszerek tárolására és jég készítésére használható.
- A fagyasztókamra alkalmas húсок, halak, rizsgolyók és más, rövid távon nem fogyasztható élelmiszerek tárolására.
- A húсокat lehetőleg kisebb adagokra kell osztani, hogy könnyen kezelhetők legyenek. Vegye figyelembe, hogy az élelmiszereket a tárolási időn belül el kell fogyasztani.
- A fenti képen látható elhelyezés (fiókok, élelmiszerdobozok, polcok stb.) a legenergiatakarékosabb.

Funkciók



A kép csak illusztráció, a termék ettől eltérő lehet.

1. Gomb

A. SETTING gomb (A hűtőter hőmérsékletének beállító gombja)

2. Kijelző

LED ① beállítás 1: 6°C

LED ② beállítás 2: 4°C

LED ③ beállítás 3: 4°C

LED ④ beállítás 4: 2°C

3. Kijelző

A kezdeti bekapcsolás után a kijelző minden visszajelzője 3 másodpercig világít, majd a hűtőszekrény a 2. beállítás szerint működik (4°C).

Hiba esetén a megfelelő LED villog.

Ha nincs meghibásodás, akkor a hűtőszekrény aktuális hőmérsékleti beállítását mutatja.

Hibakód Hiba Leírás

LED ① Környezeti hőmérséklet érzékelő

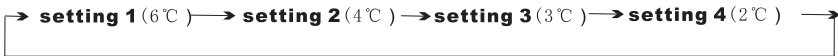
LED ③ Hűtőszekrény leolvasztó érzékelője

LED ④ Hűtőszekrény hőmérséklet-érzékelő áramköre

4. A hőmérséklet beállítása

Minden egyes alkalommal, amikor az "A" hőmérséklet-beállító gombot megnyomja, a hőmérséklet-beállítás eggyel változik. A hőmérséklet beállítása után a hűtőszekrény 30 másodperc elteltével a beállított értéknek megfelelően működik tovább

A beállítás sorrend:

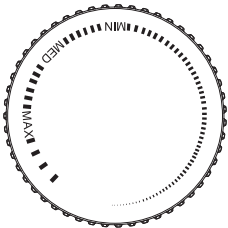


5. Szuper fagyasztási mód

Tartsa nyomva a hőmérséklet-beállító gombot 3 másodpercig, miután a LED ② és a LED ③ 1 másodpercig világít, a készülék szuperfagyasztás üzemmódba lép.

Tartsa nyomva ismét a gombot 3 másodpercig, hogy kilépjen a funkcióból.

Temperature control



- Turn the temperature control knob to MAX, the internal temperature of the refrigerator becomes lower.
- Turn the temperature control knob to MIX, the internal temperature of the refrigerator becomes higher.
- Please adjust the temperature between "MAX" and "MIN".

A KÉSZÜLÉK KARBANTARTÁSA ÉS ÁPOLÁSA

Tisztítás

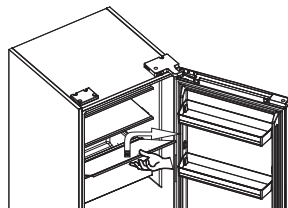
- A hűtőszekrény mögötti és a földön lévő port időben takarítsa fel a hűtési hatás és az energiatakarékosság javítása érdekében.
- Rendszeresen ellenőrizze az ajtótomítést, hogy ne legyenek benne ételmaradványok. Tisztítsa meg az ajtótomítést szappanos vízzel vagy hígított mosószerrel megnedvesített puha ruhával.
- A hűtőszekrény belsejét rendszeresen tisztítani kell a szagok kialakulásának elkerülése érdekében.
- Kérjük, a belső tér tisztítása előtt kapcsolja ki a készüléket, távolítsa el az összes ételt, italt, polcot, fiókot stb.
- Egy puha ruhával vagy szivaccsal tisztítsa meg a hűtőszekrény belsejét, két evőkanál szódobikarbóna és egy liter meleg víz segítségével. Ezután öblítse le vízzel, és törölje tisztára. A tisztítás után nyissa ki az ajtót, és hagyja természetesen megszáradni, mielőtt bekapcsolja a készüléket.
- A hűtőszekrényben nehezen tisztítható területeket (például szűk illesztések, rések vagy sarkok) ajánlott rendszeresen áttörölni egy puha rongyal, puha kefével stb. és szükség esetén néhány segédeszközzel (például vékony pálcikával) kombinálva, hogy ezeken a területeken ne halmozódjanak fel szennyeződések vagy baktériumok.
- Ne használjon szappant, mosószert, súrolóport, tisztítóspray-t stb., mivel ezek kellemetlen szagokat hagynak maguk után a hűtőszekrény belsejében és beszennyezhetik az élelmiszereket is.
- Tisztítsa meg az üveg tartozásokat, a polcokat és a fiókokat szappanos vízzel vagy hígított mosószerrel megnedvesített puha ruhával. Törölje szárazra egy puha ruhával vagy szárítsa meg természetes úton.
- Törölje át a hűtőszekrény külső felületét szappanos vízzel, mosószerrel stb. megnedvesített puha ruhával, majd törölje szárazra.
- Ne használjon kemény keféket, acélgyapotot, drótkeféket, csiszolóanyagokat, például fogkrémetek, szerves oldószereket (például alkohol, aceton, stb.), forró vizet, savas vagy lúgos elemeket a hűtőszekrény tisztítására, tekintettel arra, hogy ez károsíthatja a hűtőszekrény felületét és belsejét. A forrásban lévő víz és a szerves oldószerek, mint például a benzol, deformálhatják vagy károsíthatják a műanyag alkatrészeket.
- Ne öblítse le közvetlenül vízzel vagy más folyadékkal a készüléket a tisztítás során, hogy ezzel elkerülje a rövidzárlatot.



A tisztítás idejére áramtalanítsa a készüléket.

Üvegpolc tisztítása

- Vegye ki az üvegpolcon lévő fiókot;
- Emelje fel az üvegpolc elejét (kb. 60°-ban), majd húzza ki;
- Vegye ki az üvegpolcot és tisztítsa meg;
- Helyezze vissza a polcot



Leolvasztás

- Kapcsolja ki a hűtőszekrényt.
- egye ki az ételt a hűtőszekrényből, és helyezze el megfelelően, hogy az ételek ne olvadjanak el.
- Tisztítsa meg a lefolyócsövet (puha anyagokat használjon, hogy megakadályozza a bélés sérülését), Készítse elő a víztartályokat a leolvasztáshoz (figyeljen a kompresszorrekesz vízelvezető tálcájának tisztítására, hogy elkerülje a földre történő túlfolyást).
- Használhatja a környezeti hőmérsékletet a természetes leolvasztáshoz, használhat a jéglapátot (műanyag vagy fa) is a jég lekaparásához. Megfelelő mennyiségű forró vizet is használhat a leolvasztás felgyorsításához, a leolvasztás után pedig törölje szárazra a készüléket.
- A leolvasztás után tegye vissza az élelmiszereket a szekrénybe, és kapcsolja be a készüléket.

Használaton kívül

- Áramkimaradás: A készülékben lévő ételek több órán át eltarthatók áramszünet esetén, még nyáron is; áramszünet idején az ajtónyitások számát csökkenteni kell, és a készülékbe nem szabad több friss élelmiszert betenni.
- Ha a készüléket hosszabb ideig nem használja, akkor áramtalanítsa, ürítse ki és tisztítsa meg. Az ajtót hagyja nyitva, hogy elkerülje a kellemetlen szagok kialakulását.
- Mozgatás esetén: az üveg tartozékokat, a zöldségtartót, a fagyasztó kamra fiókjait stb. szalaggal rögzítse, és csavarja be színtező lábakat. Zárja be az ajtókat, és rögzítse őket szalaggal. Mozgatás közben a készüléket nem szabad fejjel lefelé vagy vízszintesen lefektetni, illetve rázni; a mozgás közbeni dőlés nem lehet 45°-nál nagyobb.



A készüléket a beüzemelést követően folyamatosan működtesse. A sűrű be- és kikapcsolás és áramtalanítás csökkenti az élettartamot.

HIBAELHÁRÍTÁS

A következő egyszerű problémákat a felhasználó is kezelheti. Kérjük, hívja a szervizt, ha a ezek nem oldják meg a problémát.

A készülék nem működik	Ellenőrizze, hogy a készülék be van-e dugva és van-e áram. Alacsony feszültség. A hőmérsékletszabályozó gomb jól van-e beállítva. Tápellátás meghibásodása vagy kioldó áramkör.
Különös szagok	A szagos élelmiszereket szorosan be kell csomagolni. Akár rothadó élelmiszerek. Ellenőrizze, hogy a belsejét meg kell-e tisztítani?
A kompresszor hosszantartó működése	Normális, hogy a kompresszor hosszabb ideig működik nyáron, amikor a környezeti hőmérséklet magasabb. Ne tegyen egyszerre túl sok élelmiszert a fagyasztóba. Ne tegye be az élelmiszereket, amíg azok le nem hűlnek. A fagyasztó ajtajának gyakori kinyitása.
A világítás nem működik	Ellenőrizze, hogy a fagyasztó csatlakoztatva van-e a tápegységhez, vagy a lámpa nem sérült-e meg. Cseréltesse ki a lámpát szakemberrel.
A készülék ajtaja nem záródik megfelelően	Az ajtó elakadt az étel miatt A hűtőszekrény megdőlt.
Hangos üzemelés	Sík-e a padló, stabilan van-e elhelyezve a fagyasztó? Megfelelően vannak-e elhelyezve a fagyasztó tartozékai?
Az ajtószigetelés nem zár megfelelően	Távolítsa el az idegen anyagokat a gumitömítésből. Melegítse fel a szigetelést és igazítsa be megfelelően. A művelethez használjon egy hajszáritót, de vigyázzon, hogy nem melegítse túl!
A víztálca túlcserél	Túl sok élelmiszer van a rekeszekben, vagy a tárolt élelmiszer túl sok vizet tartalmaz, ami erős leolvastást eredményez. Az ajtók nem záródnak megfelelően, ami jegesedéshez és a leolvastás miatt megnövekedett vízmennyiséghez vezet.
Meleg készülékház	A beépített kondenzátor hőelvezetése a házon keresztül történik, ami normális. Ha a ház a magas környezeti hőmérséklet és a túl sok élelmiszer tárolása miatt felforrósodik, a hőelvezetés megkönnyítése érdekében ajánlott megfelelő szellőzésről gondoskodni.

Felületi páralecsapódás	A hűtőszekrény külső felületén és ajtótomítésein jelentkező páralecsapódás normális, ha a környezeti páratartalom túl magas. Csak törölje le a vizet egy tiszta törülközővel.
Rendellenes zaj	Zúgás: A kompresszor működés közben zúgó hangot adhat ki, ami különösen indításkor vagy leállításakor hangos. Ez normális. Nyikorgás: A készülék belsejében áramló hűtőközeg nyikorgó hangot hallat, ami normális.

Figyelmeztetések az ártalmatlanításra vonatkozóan



A fagyasztószekrényhez használt hűtőközeg és a ciklopentán habosító anyag rendkívül gyúlékony. A nem használt hűtőszekrényt mindenféle tűzforrástól távol kell tartani, és a megfelelő képesítéssel rendelkező vállalkozásnak kell ártalmatlanítania.



Mielőtt kidobja régi hűtőszekrényét vagy fagyasztóját vegye le az ajtókat és hagyja a polcokat a helyükön, hogy a gyerekek ne tudjanak könnyen bemászni a készülékbe



A szimbólum azt jelzi, hogy a helyi törvényeknek és előírásoknak megfelelően a készüléket a háztartási hulladéktól elkülönítve kell a hulladékba helyezni. Ha a termék eléri élettartama végét, vigye a helyi hatóságok által kijelölt gyűjtőpontra. A készülék elkülönített módon történő gyűjtése és újrahasznosítása segít megóvni a természeti erőforrásokat, és biztosítja, hogy az újrahasznosítás az emberi egészség és a környezet védelmével összhangban történjen. A termék újrahasznosítása érdekében további információért forduljon az illetékesekhez, a helyi hulladékgyűjtő szolgáltatóhoz vagy ahhoz az üzlethez, ahol a terméket megvásárolta.

БЕЗБЕДНОСНИ ПРЕДУПРЕДУВАЊА

- ОВОЈ апарат е наменет да се користи во домаќинството и слични примени како што се кујните за персоналот во продавници, канцеларии и други работни средини; фармски куќи и од клиенти во хотели, мотели и други средини од резиденцијален тип; средини од типот ноќевање и појадок; угостителски и слични непродажни апликации.
- ОВОЈ апарат не е наменет за употреба од лица (вклучувајќи деца) со намалени физички, сетилни или ментални способности или со недостаток на искуство и знаење, освен ако не добиле надзор или инструкции во врска со употребата на апаратот од лице одговорно за нивната безбедност.)
- ДЕЦАТА треба да се надгледуваат за да се осигура дека не си играат со апаратот. Ако кабелот за напојување е оштетен, тој мора да биде заменет од производителот, неговиот сервисер или слично квалификувани лица за да се избегне опасност.
- Не чувајте експлозивни материи како што се аеросолни лименки со запаливо гориво во овој апарат.
- Апаратот треба да се исклучи од струја по употреба и пред да се изврши корисничко одржување на апаратот.
- Чувајте ги отворите за вентилација, во куќиштето на апаратот или во вградената структура, без пречки.
- Не користете механички уреди или други средства за да го забрзате процесот на одржување, освен оние препорачани од производителот.
- Не го оштетувајте колото на течноста за ладење.
- Не користете електрични апарати во внатрешноста на преградите за складирање храна на апаратот, освен ако не се од типот препорачан од производителот.
- Ве молиме оставете го фрижидерот според локалните регулатори затоа што тој користи запалив гас што дува и средство за ладење.
- Кога го поставувате апаратот, проверете дали кабелот за напојување не е заглавен или оштетен.
- Не поставувајте повеќе преносни приклучоци или преносни напојувања на задниот дел од апаратот.
- Не користете продолжни кабли или незаземјени адаптери (два крака).
- Ризик од заробување на детето. Пред да го фрлите стариот фрижидер или замрзнувач:
 - Тргни ги вратите.
 - Оставете ги полиците на место за да не можат децата лесно да се качуваат внатре.
- Фрижидерот мора да се исклучи од изворот на електрична енергија пред да се обиде да поставите дополнителна опрема.
- Средството за ладење (фреон) и материјалот за пена од циклопентан што се користат за апаратот се запаливи. Затоа, кога апаратот е отфрлен, тој треба да се чува подалеку од каков било извор на пожар и да биде обновен од специјална компанија за опоравување со соодветна квалификација освен да се отстранува со согорување, за да се спречи оштетување на животната средина или каква било друга штета.
- Овој апарат може да го користат деца на возраст од 8 години и повеќе и лица со намалени физички сетилни или ментални способности или недостаток на искуство и знаење доколку им е даден надзор или инструкции во врска со користењето на апаратот на безбеден начин и ако ги разберат вклучените опасности. Децата не смеат да си играат со апаратот. Чистењето и одржувањето на корисникот не смеат да го вршат деца без надзор. Деца на возраст од 3 до 8 години им е дозволено да товараат и растовараат апарати за ладење.
- Неопходноста, за врати или капацити опремени со брави и клучеви, клучевите да се чуваат подалеку од дофат на деца, а не во близина на апаратот за ладење, за да се спречи заклучување на децата внатре.
- За да избегнете контаминација на храната, ве молиме почитувајте ги следниве упатства:
 - Отворањето на вратата долго време може да предизвика значително зголемување на температурата во преградите на апаратот.
 - Редовно чистете ги површините што можат да дојдат во допир со храна и достапни системи за одводнување.
 - Исклучете ги резервоарите за вода доколку не се користат 48 часа; исплакнете го водоводниот систем приклучен на водовод ако не се влече вода 5 дена. (забелешка 1)
 - Суровото месо и рибата чувајте ги во соодветни контејнери во фрижидер, за да не дојде во допир или да капе на друга храна.
 - Преградите за замрзната храна со две ѕвезди се погодни за складирање на претходно замрзната храна, складирање или правене сладолед и правене коцки мраз. (забелешка 2)
 - Преградите со една, две и три ѕвезди не се погодни за замрзнување свежа храна. (забелешка 3)
 - За апарати без преграда со 4 ѕвезди: овој апарат за ладење не е погоден за замрзнување на прехранбени производи. (забелешка 4)
 - Ако апаратот за ладење остане празен долги периоди, исклучете, одмрзнете, исклучете ја, исушете ја и оставете ја вратата отворена за да спречите појава на мувла во апаратот.
- Забелешка 1,2,3,4: Ве молиме потврдете дали е применливо според типот на преградата на производот.
- За самостоен апарат: овој апарат за ладење не е наменет да се користи како вграден апарат.
- СЕКОЈА замена или одржување на LED светилките е наменета да ја изврши производителот, неговиот сервисер или слично квалификувано лице.
- Овој производ содржи извор на светлина со класа на енергетска ефикасност (F).

Значењето на безбедносните предупредувачки симболи



Ова е симбол за забрана. Секое непочитување на упатствата означени со овој симбол може да резултира со оштетување на производот или да ја загрози личната безбедност на корисникот.



Ова е предупредувачки симбол. Потребно е да се работи со строго почитување на упатствата означени со овој симбол; или на друг начин може да се предизвика оштетување на производот или лична повреда.



Ова е предупредувачки симбол. Упатствата означени со овој симбол бараат посебна претпазливост. Недоволната претпазливост може да доведе до лесна или умерена повреда или оштетување на производот.

Овој прирачник содржи многу важни безбедносни информации што треба да ги почитуваат корисниците.

Предупредувања поврзани со електрична енергија

- Не влечете го кабелот за напојување кога го влечете приклучокот за напојување на фрижидерот. Ве молиме цврсто фатете го приклучокот и извлечете го директно од штекерот.
- За да се обезбеди безбедно користење, не го оштетувајте кабелот за напојување и не користете го кабелот за напојување кога е оштетен или истрошен.
- Ве молиме користете посебен штекер и штекерот не смее да се дели со други електрични апарати. Приклучокот за струја треба да биде цврсто контактиран со штекерот или во спротивно може да се предизвикаат пожари.
- Ве молиме проверете дали електродата за заземјување на штекерот е опремена со сигурна линија за заземјување.
- Ве молиме исклучете го вентилот на гасот што истекува и потоа отворете ги вратите и прозорците во случај на истекување на гас и други запаливи гасови. Не исклучувајте го фрижидерот и другите електрични апарати имајќи предвид дека искра може да предизвика пожар.
- Не користете електрични апарати на горниот дел од апаратот, освен ако не се од типот препорачан од производителот.

Предупредувања за употреба

- Немојте произволно да го расклопувате или реконструирате фрижидерот, ниту да го оштетувате колото на течноста за ладење; одржувањето на апаратот мора да го изврши специјалист.
- Оштетениот кабел за напојување мора да го замени производителот, неговиот оддел за одржување или сродните професионалци за да се избегне опасност.
- Празните помеѓу вратите на фрижидерот и помеѓу вратите и телото на фрижидерот се мали, имајте предвид да не ја ставате раката во овие области за да спречите стискање на прстот. Ве молиме бидете нежни кога ја отворате вратата од фрижидерот за да избегнете паѓање на предмети.
- Не бирајте храна или садови со влажни раце во комората за замрзнување кога работи фрижидерот, особено метални контејнери за да избегнете смрзнатини.
- Не дозволувајте ниту едно дете да влезе или да качува во фрижидерот; во спротивно може да се предизвика гушење или повреда од паѓање на детето.
- Не ставајте тешки предмети на горниот дел од фрижидерот имајќи предвид дека објектите може да паднат при затворање или отворање на вратата и може да се предизвикаат случајни повреди.
- Ве молиме извлечете го приклучокот во случај на прекин на струја или чистење. Не поврзувајте го замрзнувачот на напојување во рок од пет минути за да спречите оштетување на компресорот поради последователни стартувања.

Предупредувања за поставување

- Не ставајте запаливи, експлозивни, испарливи и високо корозивни предмети во фрижидерот за да спречите оштетување на производот или несреќи од пожар.
- Не ставајте запаливи предмети во близина на фрижидерот за да избегнете пожари.
- Фрижидерот е наменет за употреба во домаќинството, како што е складирање на храна; не смее да се користи за други цели, како што се складирање на крв, лекови или биолошки производи итн.
- Не чувајте пиво, пијалоци или други течности содржани во шишиња или затворени садови во комората за замрзнување на фрижидерот; инаку шишињата или затворените контејнери може да напукнат поради замрзнување и да предизвикаат штета.

Предупредувања за енергија

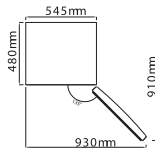
1. Апаратите за ладење може да не работат постојано (можност за одмрзнување на содржината или температурата да стане премногу топла во преградата за замрзната храна) кога се поставени подолг временски период под студениот крај на опсегот на температури за кој е дизајниран апаратот за ладење.
2. Фактот дека шумливите пијалоци не треба да се чуваат во прегради или кабинети за замрзнување храна или во прегради или кабинети со ниска температура и дека некои производи како што се водените мразови не треба да се конзумираат премногу ладни;
3. Потребата да не се надминува времето(ите) на складирање препорачано од производителите на храна за секаков вид храна, а особено за комерцијално брзо замрзната храна во прегради или кабинети за складирање храна за замрзнување и замрзната храна;
4. Мерки на претпазливост неопходни за да се спречи непотребно зголемување на температурата на замрзнатата храна при одмрзнување на апаратот за ладење, како што е завиткување на замрзнатата храна во неколку слоеви весник.
5. Фактот дека зголемувањето на температурата на замрзнатата храна за време на рачно одмрзнување, одржување или чистење може да го скрати рокот на складирање.

ПРАВИЛНА УПОТРЕБА НА ФРИЖИДЕРИ

Поставување

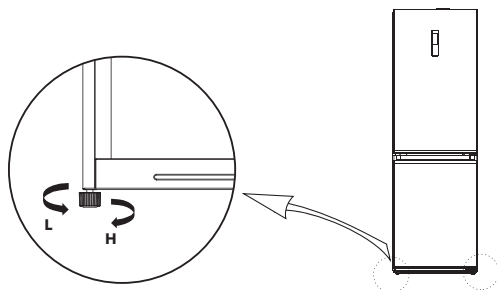
- Пред употреба, отстранете ги сите материјали за пакување, вклучувајќи ги долните перничкиња, перничкињата од пена и лентите во внатрешноста на фрижидерот; откинете ја заштитната фолија на вратите и телото на фрижидерот.
- Чувајте го подалеку од топлина и избегнувајте директна сончева светлина. Не ставајте го замрзнувачот на влажни или водени места за да спречите рѓа или намалување на изолациониот ефект.
- Не прскајте или мијте го фрижидерот; не го ставајте фрижидерот на влажни места што лесно може да се попрскаат со вода за да не влијаат на електричните изолациски својства на фрижидерот.
- Фрижидерот се става на добро проветрено внатрешно место; земјата треба да биде рамна и цврста (ротирајте лево или десно за да го прилагодите тркалото за израмнување доколку е нестабилно).
- Горниот простор на фрижидерот треба да биде поголем од 30 cm, а фрижидерот треба да биде поставен до ѕид со слободно растојание повеќе од 10 cm за да се олесни дисипацијата на топлина.

- Резервирајте доволно простор за удобно отворање на вратите и фиоките.



Сликата погоре е само за референца. Вистинската конфигурација ќе зависи од физичкиот производ или изјавата на дистрибутерот.

Стапала за израмнување



Сликата погоре е само за референца. Вистинската конфигурација ќе зависи од физичкиот производ или изјавата на дистрибутерот.

Процедури за прилагодување:

- Свртете ги стапалата во насока на стрелките на часовникот за да го подигнете фрижидерот;
- Свртете ги стапалата спротивно од стрелките на часовникот за да го спуштите фрижидерот;
- Прилагодете ги десните и левите стапала врз основа на горенаведените процедури на хоризонтално ниво.

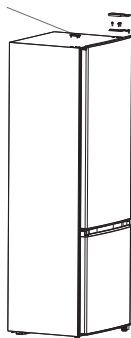
Промена на вратата десно-лево

Список на алатки што треба да ги обезбеди корисникот			
	Крст шрафцигер		шпакла шрафцигер со тенко сечило
	5/16" штекер и клуч крцкалка		Креп трака

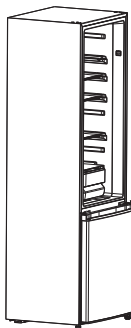
Делови што треба да се користат за рикверц на вратата			
SN	Дел	Количина	Забелешки
1	Десна горна шарка	1	Пред-инсталиран на фрижидерот, сè уште се користи кога вратата е обратна
2	Завртка за горната шарка	3	Претходно е инсталиран на фрижидерот и се користи при менување на вратата
3	Завртка за средна шарка	2	Претходно е инсталиран на фрижидерот и се користи при менување на вратата
4	Средна шарка	1	Претходно е инсталиран на фрижидерот и се користи при менување на вратата
5	Прикладлива нога	1	Претходно е инсталиран на фрижидерот и се користи при менување на вратата
7	Завртка за долна шарка	3	Претходно е инсталиран на фрижидерот и се користи при менување на вратата
8	Склоп на долна шарка	1	Претходно е инсталиран на фрижидерот и се користи при менување на вратата
9	Завртка на долниот крај на капакот на вратата за замрзнување	1	Претходно е инсталиран на фрижидерот и се користи при менување на вратата
10	Блок за ограничување на долниот крај на капакот на вратата за замрзнување	1	Претходно е инсталиран на фрижидерот и се користи при менување на вратата
11	Завртка на долниот крај на капакот на вратата на фрижидерот	1	Претходно е инсталиран на фрижидерот и се користи при менување на вратата
12	Десен затворач на вратата на фрижидерот	1	Претходно е инсталиран на фрижидерот и се користи при менување на вратата
13	Лев затворач на вратата на фрижидерот	1	In the attached plastic bag, take them out for use when door is reversed

1. Отстранете ја целата храна од внатрешната обвивка на вратата.
2. Демонтирајте го капакот на горната шарка, горната шарка и капачето на дупката од другата страна

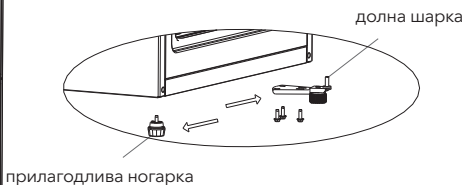
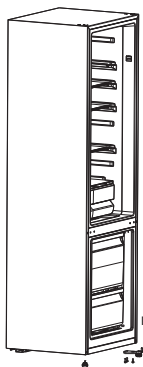
капа на дупка



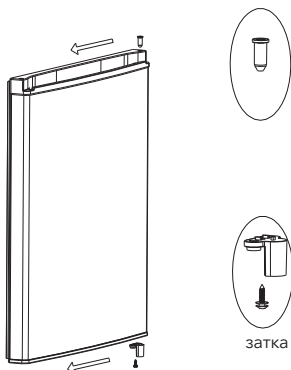
3. Отстранете ја вратата од фрижидерот, средната шарка и капачињата на отворите за завртки од другата страна.



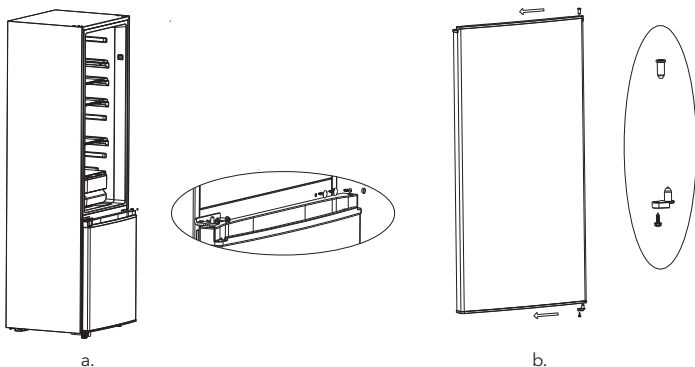
4. Отстранете ја вратата од замрзнувачот и расклопете ја долната шарка и левата прилагодлива нога. Заменете ја позицијата за вградување на долната шарка и прилагодливото стапало и фиксирајте ја долната шарка со монтирање завртки.



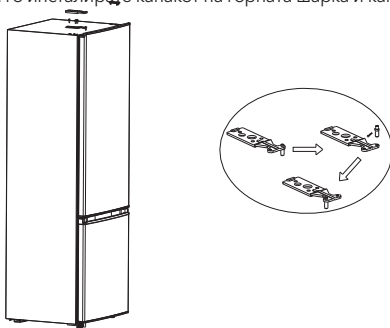
5. Демонтирајте го затвораот на вратата од вратата на замрзнувачот и монтирајте го од другата страна со завртка.



6. Ставете ја вратата на замрзнувачот на долната шарка, а потоа поставете ја средната шарка и капачињата на отворот за завртки (а). Демонтирајте го затвораот на вратата од вратата на фрижидерот и монтирајте го од другата страна со прицврстување на завртката (б).



7. Променете ја положбата за вградување на вратилото на горната шарка како што е прикажано подолу, потоа ставете ја вратата од фрижидерот на средната шарка и фиксирајте ја горната шарка со завртки, за на крајот да го инсталирате капакот на горната шарка и капачето на дупката



Промена на светла

Секоја замена или одржување на LED светилките е наменета да ја изврши производителот, неговиот сервисер или слично квалификувано лице.

Вклучување

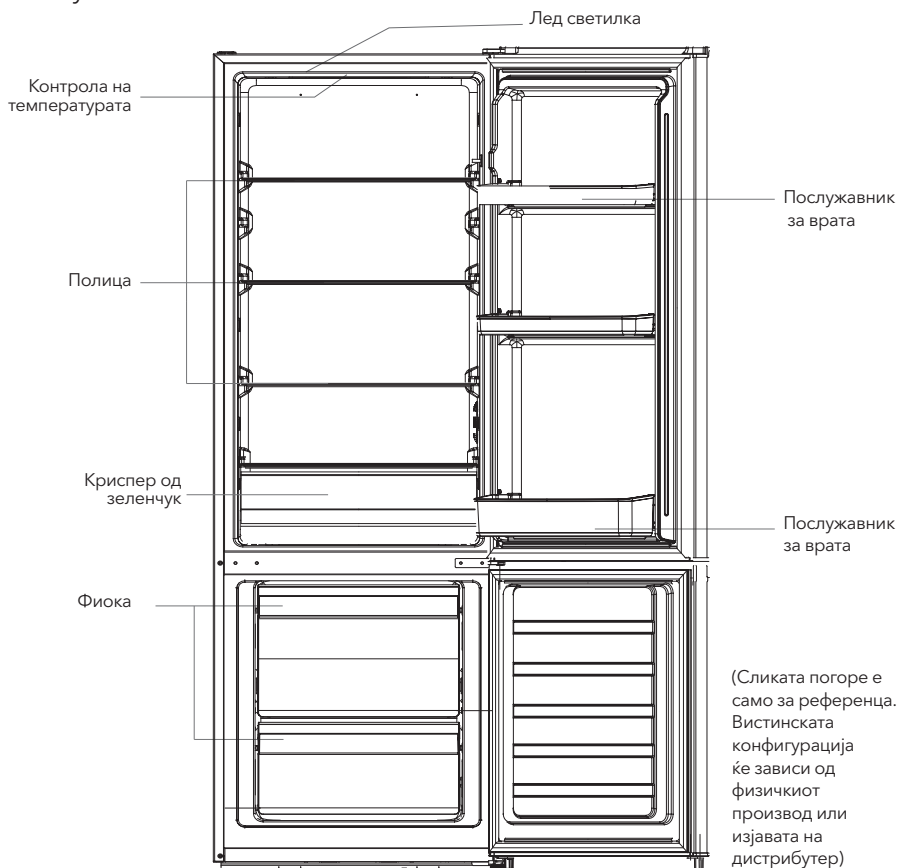
- По транспортот, оставете го производот да остане повеќе од 2 часа пред да го вклучите напојувањето, во спротивно тоа ќе доведе до намалување на капацитетот за ладење или оштетување на производот.
- Пред ставање свежа или замрзната храна, фрижидерот треба да работи 2-3 часа или над 4 часа во лето кога температурата на околината е висока.
- Ве молиме извлекете го приклучокот во случај на прекин на струја или чистење. Не поврзувајте го замрзнувачот на напојување во рок од пет минути за да спречите оштетување на компресорот поради последователни стартувања.

Совети за заштеда на енергија

- Апаратот треба да се наоѓа на најладното место од просторијата, подалеку од апарати што произведуваат топлина или грејни канали и подалеку од директна сончева светлина.
- Оставете ја топлата храна да се излади на собна температура пред да ја ставите во апаратот. Преоптоварувањето на апаратот го принудува компресорот да работи подолго. Храната која премногу бавно замрзнува може да го изгуби квалитетот или да се расипе.
- Погрижете се правилно да ја завиткате храната и избришете ги контејнерите суви пред да ги ставите во апаратот. Ова го намалува таложењето мраз во внатрешноста на апаратот.
- Корпата за складирање на апаратот не треба да биде обложена со алуминиумска фолија, восочна хартија или хартиена крпа. Облогите ја попречуваат циркулацијата на ладниот воздух, што го прави апаратот помалку ефикасен.
- Организирајте и означете ја храната за да ги намалите отворите на вратите и продолженото пребарување. Отстранете онолку предмети колку што е потребно истовремено и затворете ја вратата што е можно поскоро.

СТРУКТУРА И ФУНКЦИИ

Клучни компоненти



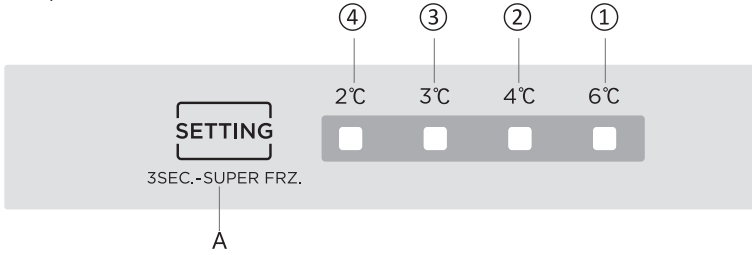
Комора за ладење

- Комората за ладење е погодна за складирање на различни овошја, зеленчук, пијалоци и друга храна што се конзумира на краток рок. Предложено време на складирање од 3 дена до 5 дена.
- Храната за готвење не смее да се става во комората за ладење додека не се излади на собна температура.
- Храната се препорачува да се затвори пред да се стави во фрижидер.
- Стаклените полица може да се прилагодат нагоре или надолу за разумен простор за складирање и лесна употреба.

Комора за замрзнување

- Комората за замрзнување со ниска температура може да ја одржува храната свежа долго време и главно се користи за складирање на замрзната храна и правење мраз.
- Комората за замрзнување е погодна за складирање на месо, риба, оризови топчиња и друга храна што не треба да се конзумира на краток рок.
- Парчињата месо пожелно е да се поделат на мали парчиња за лесен пристап. Ве молиме имајте предвид дека храната треба да се конзумира во рокот на траење.
- Фиоки, кутии за храна, полица итн. поставени според положбата на сликата погоре се енергетски најефикасни.

Функции



Сликата погоре е само за референца. Вистинската конфигурација ќе зависи од физичкиот производ или изјавата на дистрибутерот.

1. Копче

A. Копче за поставување (Копче за подесување на температурата на одделот за фрижидер)

2. Приказ на екран

LED ① setting 1: 6°C

LED ② setting 2: 4°C

LED ③ setting 3: 4°C

LED ④ setting 4: 2°C

3. Display

Откако првично ќе се вклучи, екранот е целосно прикажан 3 секунди, а потоа фрижидерот работи според поставката 2 (4°C).

Во случај на дефект, соодветната ЛЕД трепка.

Во случај да нема дефекти, ја прикажува вистинската температура на фрижидерот.

Код за грешка Опис на дефект

LED ① Сензор за амбиентална температура

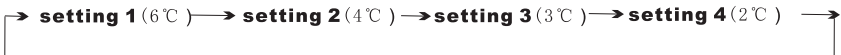
LED ③ Коло на сензор за температура на фрижидерот

LED ④ Коло на сензор за температура на фрижидерот

4. Поставување на температурата

Секогаш кога копчето за подесување на температурата A ќе се притисне еднаш, поставката за температурата се менува еднаш. Откако ќе заврши поставувањето на температурата, фрижидерот ќе работи според поставената вредност по 30 секунди.

Регулативата за смена е:

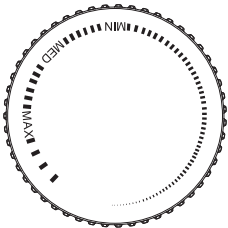


5. Режим на супер замрзнување

Долго притискање на копчето за поставување температура за 3 секунди, по LED ② и LED ③ осветлувањето за 30 секунди, ќе влезе во режим на супер замрзнување.

Долго притискање на копчето за поставување температура за 3 секунди може да го откаже режимот за супер замрзнување.

Temperature control



- Turn the temperature control knob to MAX, the internal temperature of the refrigerator becomes lower.
- Turn the temperature control knob to MIX, the internal temperature of the refrigerator becomes higher.
- Please adjust the temperature between "MAX" and "MIN".

ОДРЖУВАЊЕ И НЕГА НА ФРИЖИДЕРОТ

Целокупно чистење

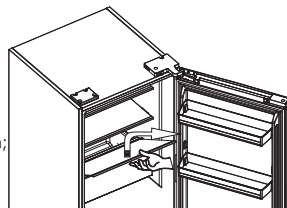
- Прашината зад фрижидерот и на земја треба навремено да се чистат за да се подобри ефектот на ладење и заштедата на енергија.
- Редовно проверувајте ја заптивката на вратата за да бидете сигурни дека нема остатоци. Исклучете ја заптивката на вратата со мека крпа натопена со вода со сапуница или разреден детергент.
- Внатрешноста на фрижидерот треба редовно да се чисти за да се избегне мирис.
- Ве молиме исклучете го напојувањето пред да ја чистите внатрешноста, отстранете ја целата храна, пијалоци .полици, фиоки итн.
- Користете мека крпа или сунѓер за чистење на внатрешноста на фрижидерот, со две лажици сода бикарбона и 1 литар топла вода. Потоа исплакнете со вода и избришете го. По чистењето, отворете ја вратата и оставете ја природно да се исуши пред да го вклучите напојувањето.
- За места кои тешко се чистат во фрижидер (како тесни сендвичи, празнини или англи), се препорачува редовно да се бришат со мека крпа, мека четка итн. и кога е потребно, во комбинација со некои помошни алатки (како како тенки стапчиња) за да се осигура дека нема акумулација на загадувачи или бактерии во овие области.
- Не користете сапун, детергент, прашок за чистење, средство за чистење спреј итн., бидејќи тие може да предизвикаат мирис во внатрешноста на фрижидерот или контаминирана храна.
- Исклучете ја рамката од шишето, полиците и фиоките со мека крпа натопена со вода со сапуница или разреден детергент. Се суши со мека крпа или се суши природно.
- Избришете ја надворешната површина на фрижидерот со мека крпа натопена со вода со сапуница, детергент и сл., а потоа избришете ја на суво.
- Не користете тврди четки, чисти челични топчиња, жичени четки, абразиви (како пасти за заби), органски растворувачи (како алкохол, ацетон, масло од банана итн.), врела вода, киселински или алкални предмети, кои може да го оштетат фрижидерот површината и внатрешноста. Водата што врие и органските растворувачи како што е бензенот може да ги деформираат или оштетат пластичните делови.
- Не плакнете директно со вода или други течности за време на чистењето за да избегнете кратки споеви или да влијаете на електричната изолација по потопување.



Ве молиме исклучете го фрижидерот за одмрзување и чистење.

Чистење на стаклената полица

- Отстранете ја фиоката на стаклената полица;
- Подигнете ја предната страна на стаклената полица (околу 60°), а потоа извлечете ја
- Отстранете ја стаклената полица и исчистете ја по потреба;
- Обратна операција е за вградување на стаклена полица.



Одмрзување

- Исклучете го фрижидерот.
- Извадете ја храната од фрижидерот и поставете ја правилно за да спречите топење на храната.
- Исклучете ја одводната цевка (за да користите меки материјали за да спречите оштетување на облогата), подгответе ги контејнерите за вода за одмрзување. (обрнете внимание да ја исчистите фиоката за одвод на вода во преградата на компресорот, Избегнувајте прелевање на земја).
- Можете да ја користите природната температура за природно одмрзување, исто така можете да ја користите лопата за мраз за да го елиминирате мразот (да користите пластична или дрвена лопата за мраз, за да избегнете оштетување на поставата или цевката) Можете исто така да користите соодветна количина топла вода за да се забрза одмрзувањето, со сува крпа за да се исуши водата по одмрзувањето.
- По одмрзувањето, вратете ја храната во кабинетот и вклучете го фрижидерот.

Надвор од работа

- Прекин на струја: Во случај на прекин на струја, дури и ако е во лето, храната во апаратот може да се чува неколку часа; за време на прекин на електричната енергија, времето на отворање на вратата треба да се намали и да не се става повеќе свежа храна во апаратот.
- Долготрајна неупотреба: Апаратот треба да се исклучи од струја и потоа да се исчисти; тогаш вратите се оставаат отворени за да се спречи мирис.
- Преместување: Пред да се помести фрижидерот, извадете ги сите предмети внатре, фиксирајте ги стаклените прегради, држачот за зеленчук, фиоките на комората за замрзнување и слично со лента, и затегнете ги стапалата за израмнување; затворете ги вратите и поправете ги со лента. За време на движењето, апаратот не треба да се поставува наопаку или хоризонтално, ниту да се вибрира; наклонот за време на движењето не треба да биде поголем од 45°.



Апаратот ќе работи непрекинато откако ќе се вклучи. Општо земено, работата на апаратот не треба да се прекинува; во спротивно може да се наруши работниот век.

РЕШАВАЊЕ НА ПРОБЛЕМИ

Може да се обидете сами да ги решите следните едноставни проблеми.

Доколку не можат да се решат, ве молиме контактирајте го одделот за постпродажба

Неуспешна операција	Проверете дали апаратот е приклучен на струја или дали приклучокот е во добро вметнат Проверете дали напонот е премногу низок Проверете дали има прекин на електричната енергија или делумни кола се исклучени
Мирис	Храната со јак мирис треба да биде цврсто завиткана Проверете дали има расипана храна Исчистете ја внатрешноста на фрижидерот
Долготрајна работа на компресорот	Долгото работење на фрижидерот е нормално во лето кога температурата на околината е висока Не е сугерирано да имате премногу храна во апаратот истовремено Храната треба да се излади пред да се стави во апаратот Вратите се отвораат премногу често
Светилките не успеваат да се уклучат	Проверете дали фрижидерот е приклучен на напојување и дали светилката е оштетена
Вратите не можат да се затворат правилно	Вратата е заглавена од пакети со храна Фрижидерот е навален
Гласна бучава	Проверете дали подот е на ниво и дали фрижидерот е стабилно поставен Проверете дали додатоците се поставени на соодветни локации
Заптивката на вратата не е затегната	Отстранете ги надворешните материи на заптивката на вратата Загрејте ја заптивката на вратата и потоа изладете ја за реставрација (или дувајте го со електричен фен или користете топла крпа за загревање)
Сад за складирање на кондензација и отопување се прелева	Има премногу храна во комората или складираната храна содржи премногу вода, што резултира со тешко одмрзнување Вратите не се затворени правилно, што резултира со замрзнување поради влез на воздух и зголемена вода поради одмрзнување
Топло кукиште	Дисипација на топлина на вградениот кондензатор преку кукиштето, што е нормално. Кога кукиштето станува жешко поради високата температура на околината и складирањето на премногу храна, се препорачува да се обезбеди звучна вентилација за да се олесни дисипацијата на топлината.

Површинска кондензација	Кондензацијата на надворешната површина и заптивките на вратите на фрижидерот е нормална кога влажноста на околината е превисока. Само избришете го кондензатот со чиста крпа.
Абнормален шум	Звук: Компресорот може да произведува зуми за време на работата, а зуењето: се гласни особено при стартување или запирање. Ова е нормално. Пукање: Ладилното средство кое тече во внатрешноста на апаратот може да предизвика крцкање, што е нормално.

Предупредувања за фрлање



Ладилното средство и материјалот за пена од циклопентан што се користат за фрижидерот се запаливи. Затоа, кога ладилникот се струга, тој треба да се чува подалеку од кој било извор на пожар и да биде извлечен од специјална компанија за опоравување со соодветна квалификација освен да се отстранува со согорување, за да се спречи оштетување на животната средина или каква било друга штета



Кога фрижидерот е изгребан, расклопете ги вратите и извадете ја заптивката од вратата и полиците; ставете ги вратите и полиците на соодветно место, за да спречите заробување на кое било дете.



Правилно отстранување на овој производ:

Оваа ознака покажува дека овој производ не треба да се фрла со друг отпад од домаќинството низ ЕУ. За да спречите можна штета на животната средина или на човековото здравје од неконтролирано депонирање отпад, рециклирајте го одговорно за да промовирате одржлива повторна употреба на материјалните ресурси. За да го вратите користениот уред, користете ги системите за враќање и наплата или контактирајте со продавачот каде што е купен производот. Тие можат да го земат овој производ за еколошки безбедно рециклирање.

MĂSURI DE SIGURANȚĂ

- Acest aparat este destinat să fie utilizat în aplicații casnice și similare, cum ar fi zonele de bucătărie pentru personal din magazine, birouri și alte medii de lucru; ferme și de către clienți în hoteluri, moteluri și alte medii de tip rezidențial; medii tip pensiune; catering și aplicații similare non-retail.
- Acest aparat nu este destinat utilizării de către persoane (inclusiv copiii) cu capacități fizice, senzoriale sau mentale reduse sau cu lipsă de experiență și cunoștințe, cu excepția cazului în care acestea au fost supravegheate sau instruite cu privire la utilizarea aparatului de către o persoană responsabilă pentru siguranța lor.
- Copiii trebuie supravegheați pentru a se asigura că nu se joacă cu aparatul.
- Dacă cablul de alimentare este deteriorat, acesta trebuie înlocuit de către producător, agentul său de service sau persoane calificate pentru a evita un pericol.
- Nu depozitați în acest aparat substanțe explozive, cum ar fi cutii de aerosoli cu propulsor inflamabil.
- Aparatul trebuie scos din priză după utilizare și înainte de a efectua întreținerea de către utilizator.
- Păstrați orificiile de ventilație, în carcasa aparatului sau în structura încorporată, libere de obstacole.
- Nu folosiți dispozitive mecanice sau alte mijloace pentru a accelera procesul de dezghețare, altele decât cele recomandate de producător.
- Nu deteriorați circuitul de agent frigorific.
- Nu folosiți aparate electrice în interiorul compartimentelor de depozitare a alimentelor ale aparatului, decât dacă sunt de tipul recomandat de producător.
- Vă rugăm aruncați aparatul în conformitate cu reglementările locale, deoarece utilizează gaz inflamabil și agent frigorific.
- Când poziționați aparatul, asigurați-vă că cablul de alimentare nu este blocat sau deteriorat.
- Nu localizați mai multe prize portabile sau surse de alimentare portabile în partea din spate a aparatului.
- Nu utilizați prelungitoare sau adaptoare fără împământare (cu doi pini).
- Risc de blocare a copiilor. Înainte de a arunca aparatul:
 - Scoateți ușile.
 - Lăsați rafturile la locul lor, astfel încât copiii să nu se urce cu ușurință înăuntru
- Aparatul trebuie deconectat de la sursa de alimentare electrică înainte de a încerca instalarea accesoriilor.
- Refrigerantul și materialul spumant de ciclopentan folosit pentru frigider sunt inflamabile. Prin urmare, atunci când frigiderul este casat, acesta trebuie ținut departe de orice sursă de foc și recuperat de o firmă specială de recuperare cu calificare corespunzătoare, altfel decât să fie eliminat prin ardere, pentru a preveni deteriorarea mediului sau orice alte daune.
- Acest aparat poate fi folosit de copii cu vârsta de la 8 ani și peste și de persoane cu capacități fizice senzoriale sau mentale reduse sau cu lipsă de experiență și cunoștințe, dacă au primit supraveghere sau instrucțiuni privind utilizarea aparatului într-un mod sigur și înțeleg pericolele implicate. Copiii nu se vor juca cu aparatul. Curățarea și întreținerea utilizatorului nu trebuie efectuate de copii fără supraveghere. Copiii cu vârsta cuprinsă între 3 și 8 ani au voie să încarce și să descarce aparatele frigorifice.
- Ușile trebuie să aibă încuietori și chei pentru a preveni blocarea copiilor în interior.
- Pentru a evita contaminarea alimentelor, vă rugăm să respectați următoarele instrucțiuni:
 - Curățați în mod regulat suprafețele care pot intra în contact cu alimentele și sistemele de drenaj accesibile.
 - Curățați rezervoarele de apă dacă nu au fost folosite timp de 48 de ore; spălați sistemul de apă conectat la o sursă de apă dacă apa nu a fost extrasă timp de 5 zile. (nota 1)
 - Păstrați carnea și peștele crud în recipiente adecvate în frigider, astfel încât să nu intre în contact cu alte alimente sau să picure peste acestea.
 - Compartimentele pentru alimente congelate cu sunt potrivite pentru depozitarea alimentelor precongolate, depozitarea sau prepararea înghețatei și prepararea cuburilor de gheață. (nota 2)
 - Compartimentele cu una, două și trei stele nu sunt potrivite pentru congelarea alimentelor proaspete. (nota 3)
 - Dacă aparatul frigorific este lăsat gol pentru perioade lungi de timp, opriți, dezghețați, curățați, uscați și lăsați ușa deschisă pentru a preveni formarea mușgaiului în interiorul aparatului. Nota 1,2,3: Vă rugăm să confirmați dacă este aplicabil în funcție de tipul de compartiment al produsului dumneavoastră.
- Acest dispozitiv de răcire nu este destinat utilizării ca dispozitiv încorporat
- Orice înlocuire sau întreținere a becurilor LED trebuie efectuată de către producător, tehnicianul său de service sau o persoană calificată similar.
- Acest produs conține o lampă din categoria de eficiență (F).

Sensul atribuit simbolurilor de siguranță



Acesta este un simbol de interdicție. Orice nerespectare a instrucțiunilor marcate cu acest simbol poate duce la deteriorarea produsului sau poate pune în pericol siguranța personală a utilizatorului.



Acesta este un simbol de avertizare. Este necesar să se opereze cu respectarea strictă a instrucțiunilor marcate cu acest simbol; sau în alt mod poate fi cauzată deteriorarea produsului sau vătămări corporale.



Acesta este un simbol de avertizare. Instrucțiunile marcate cu acest simbol necesită o atenție specială. Atenția insuficientă poate duce la răni ușoare sau moderate sau deteriorarea produsului.

Acest manual conține informații importante privind siguranța, care trebuie respectate de către utilizatori.

Avertismente referitoare la electricitate

- Nu trageți de cablul de alimentare când trageți de ștecherul frigiderului. Vă rugăm să prindeți ferm ștecherul și să-l scoateți direct din priză.
- Pentru a asigura o utilizare în siguranță, nu deteriorați cablul de alimentare și nu utilizați cablul de alimentare atunci când este deteriorat sau uzat.
- Vă rugăm să utilizați o priză de alimentare dedicată, iar priza de alimentare nu trebuie să fie partajată cu alte aparate electrice. Ștecherul trebuie să fie ferm în contact cu priza, altfel ar putea fi provocate incendii.
- Vă rugăm să vă asigurați că electrodul de împământare al prizei de alimentare este echipat cu o linie de împământare fiabilă.
- Vă rugăm să închideți robinetul de scurgere a gazului și apoi deschideți ușile și ferestrele în caz de scurgere de gaz și alte gaze inflamabile. Nu deconectați frigiderul și alte aparate electrice, având în vedere că scântea poate provoca un incendiu.
- Nu folosiți aparate electrice pe partea superioară a aparatului, decât dacă sunt de tipul recomandat de producător.

Atenționări de utilizare

- Nu dezamblați sau reconstruiți în mod arbitrar frigiderul și nici nu deteriorați circuitul de agent frigorific; întreținerea aparatului trebuie efectuată de un specialist.
- Cablul de alimentare deteriorat trebuie înlocuit de către producător, departamentul de întreținere sau profesioniști pentru a evita pericolul.
- Decalajele dintre ușile frigiderului și dintre uși și corpul frigiderului sunt mici, rețineți că nu puneți mâna în aceste zone pentru a preveni strângerea degetului. Vă rugăm să fiți atent când deschideți ușa frigiderului pentru a evita căderea articolelor.
- Nu ridicați alimente sau recipiente cu mâinile ude în camera de congelare când frigiderul este în funcțiune, în special recipiente metalice pentru a evita degerăturile.
- Nu permiteți niciunui copil să intre sau să se urce în frigider; în caz contrar, poate fi provocată rănirea copilului prin sufocare sau cădere.
- Nu așezați obiecte grele pe partea superioară a frigiderului, având în vedere că pot cădea atunci când închideți sau deschideți ușa și pot fi cauzate răni accidentale.
- Vă rugăm să scoateți ștecherul în caz de pană de curent sau de curățare. Nu conectați congelatorul la sursa de alimentare în decurs de cinci minute pentru a preveni deteriorarea compresorului din cauza pornirilor succesive.

Avertismente privind amplasarea

- Nu introduceți în frigider obiecte inflamabile, explozive, volatile și foarte corozive pentru a preveni deteriorarea produsului sau producerea incendiilor.
- Nu amplasați obiecte inflamabile în apropierea frigiderului pentru a evita incendii.
- Frigiderul este destinat uzului casnic, cum ar fi depozitarea alimentelor; acesta nu trebuie utilizat în alte scopuri, cum ar fi depozitarea sângelui, a medicamentelor sau a produselor biologice etc.
- Nu depozitați berea, băutura sau alte lichide din sticle sau recipientele închise în camera de congelare a frigiderului; în caz contrar, sticlele sau recipientele închise se pot crăpa din cauza înghețului și pot provoca daune.

Avertismente pentru energie

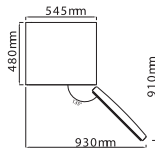
1. Este posibil ca aparatele frigorifice să nu funcționeze în mod constant (posibilitatea dezghețării conținutului sau temperatura să devină prea caldă în compartimentul pentru alimente congelate) atunci când sunt amplasate pentru o perioadă lungă de timp sub limita rece a intervalului de temperaturi pentru care este proiectat aparatul frigorific.
2. Faptul că băuturile efervescente nu trebuie depozitate în compartimente sau rafturi congelatoare pentru alimente sau în compartimente sau dulapuri cu temperatură scăzută și că unele produse precum gheața nu trebuie consumate prea reci.
3. Necesitatea de a nu depăși timpul de păstrare recomandat de producătorii de alimente pentru orice fel de alimente și în special pentru alimentele congelate rapid din comerț în compartimente sau dulapuri de depozitare a alimentelor congelate;
4. Măsurile de precauție necesare pentru a preveni o creștere nejustificată a temperaturii alimentelor congelate în timpul dezghețării aparatului frigorific, cum ar fi ambalarea alimentelor congelate în multe straturi de ziar.
5. Faptul ca o creștere a temperaturii alimentelor congelate în timpul dezghețării manuale, întreținerii sau curățării ar putea scurta durata de viață.

UTILIZAREA ADECVATĂ A CONGELATORULUI

Așezare

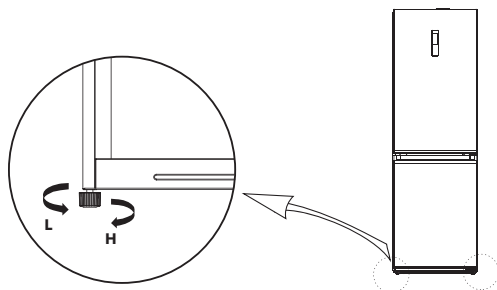
- Înainte de utilizare, îndepărtați toate materialele de ambalare, inclusiv pernele inferioare, tamponurile de spumă și benzile din interiorul frigiderului; rupeți folia de protecție de pe uși și corpul frigiderului.
- A se ține departe de căldură și evita lumina directă a soarelui. Nu așezați congelatorul în locuri umede pentru a preveni rugină sau reducerea efectului de izolare.
- Nu pulverizați sau spălați frigiderul; nu puneți frigiderul în locuri umede ușor de stropit cu apă pentru a nu afecta proprietățile de izolare electrică ale frigiderului.
- Frigiderul se așează într-un loc interior bine ventilat; solul trebuie să fie plat și robust (roțiți-vă la stânga sau la dreapta pentru a regla roata pentru nivelare dacă este instabilă).
- Spațiul superior al frigiderului trebuie să fie mai mare de 30 cm, iar frigiderul trebuie așezat pe un perete cu o distanță liberă mai mare de 10 cm pentru a facilita disiparea căldurii.

- Spațiu suficient pentru deschiderea ușilor și a sertarelor.



Imaginea de mai sus este orientativă. Configurația reală depinde de produsul fizic sau declarația producătorului.

Poziționarea picioarelor







Imaginea de mai sus este doar orientativă. Configurația depinde de starea fizică a produsului sau declarația distribuitorului.

Proceduri de ajustare:

- Rotiți picioarele în sensul acelor de ceasornic pentru a ridica frigiderul;
- Rotiți picioarele în sens invers acelor de ceasornic pentru a coborî frigiderul;
- Reglați picioarele drepte și stânga pe baza procedurilor de mai sus la un nivel orizontal.

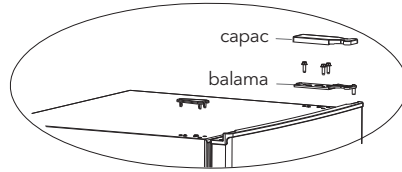
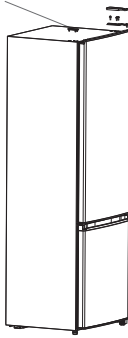
Mutarea ușii de pe stânga pe dreapta

Sculele vor fi asigurate de către utilizator.			
	Șurubelniță în cruce		Șpaclu Șurubelniță cu lamă subțire
	5/16" Priză și rachetă		Bandă adezivă

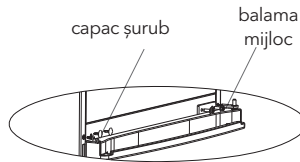
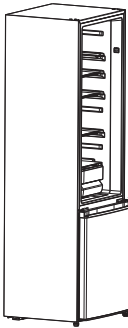
Parts to be used for door reverse			
SN	Part	Quantity	Notes
1	Balama superioară	1	Preinstalat pe frigider, scos și păstrat la schimbarea ușii
2	Șurub balama superioară	3	Preinstalat pe frigider, scos și păstrat la schimbarea ușii
3	Șurub balama mijloc	2	Preinstalat pe frigider, scos și păstrat la schimbarea ușii
4	Balama mijloc	1	Preinstalat pe frigider, scos și păstrat la schimbarea ușii
5	Capac orificiu	2	Preinstalat pe frigider, scos și păstrat la schimbarea ușii
6	Picior ajustabil	1	Preinstalat pe frigider, scos și păstrat la schimbarea ușii
7	Șurub balama inferoară	3	Preinstalat pe frigider, scos și păstrat la schimbarea ușii
8	Ansamblu balama inferoară	1	Preinstalat pe frigider, scos și păstrat la schimbarea ușii
9	Șurub capac inferior ușă congelator	1	Preinstalat pe frigider, scos și păstrat la schimbarea ușii
10	Limitator capac inferior ușă congelator	1	Preinstalat pe frigider, scos și păstrat la schimbarea ușii
11	Șurub capac ușă congelator	1	Preinstalat pe frigider, scos și păstrat la schimbarea ușii
12	Opritor congelator dreapta	1	Preinstalat pe frigider, scos și păstrat la schimbarea ușii
13	Opritor congelator stânga	1	În punga de plastic atașată, scoateți-le pentru utilizare când ușa este inversată

1. Scoateți toate alimentele de pe rafturile interioare.
2. Demontați capacul balamalei superioare, balamaua superioară și capacul orificiului de pe cealaltă

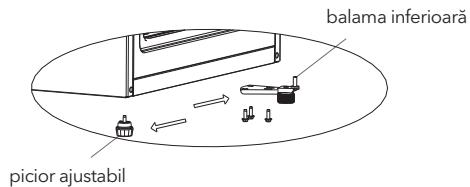
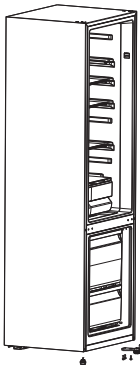
parte capac



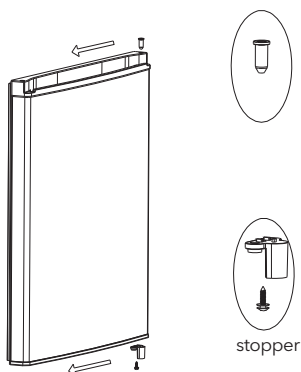
3. Scoateți ușa frigiderului, balamaua din mijloc și capacele orificiilor pentru șuruburi de pe cealaltă parte.



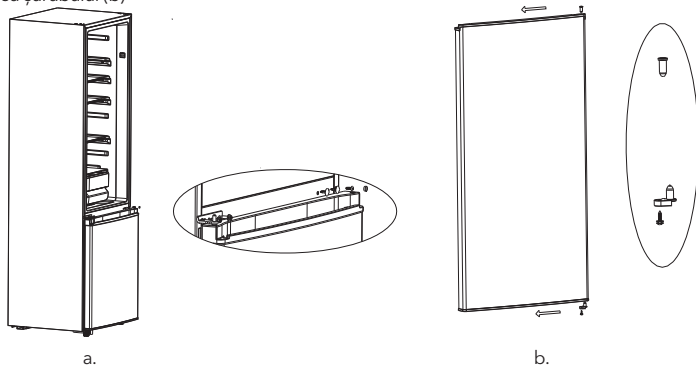
4. Scoateți ușa congelatorului și demontați balamaua inferioară și piciorul reglabil stâng. Schimbați poziția de instalare a balamalei inferioare și a piciorului reglabil și fixați balamaua inferioară prin montarea șuruburilor.



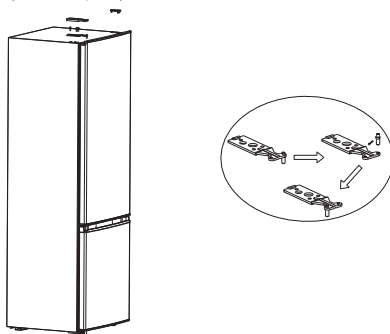
5. Demontați opritorul ușii congelatorului și instalați-l pe cealaltă parte prin montarea șurubului.



6. Puneți ușa congelatorului pe balamaua inferioară, apoi instalați balamaua din mijloc și capacele orificiilor pentru șuruburi (a). Demontați opritorul ușii frigiderului și instalați-l pe cealaltă parte prin montarea șurubului (b)



7. Schimbați poziția de instalare a arborelui balamalei superioare așa cum se arată mai jos, apoi puneți ușa frigiderului pe balamaua din mijloc și fixați balamaua superioară prin șuruburi, în cele din urmă pentru a instala capacul balamalei superioare și capacul orificiului.



Schimbarea becurilor

Orice înlocuire sau întreținere a lămpilor LED trebuie făcută de producător, agentul de service sau o persoană calificată.

Pornire

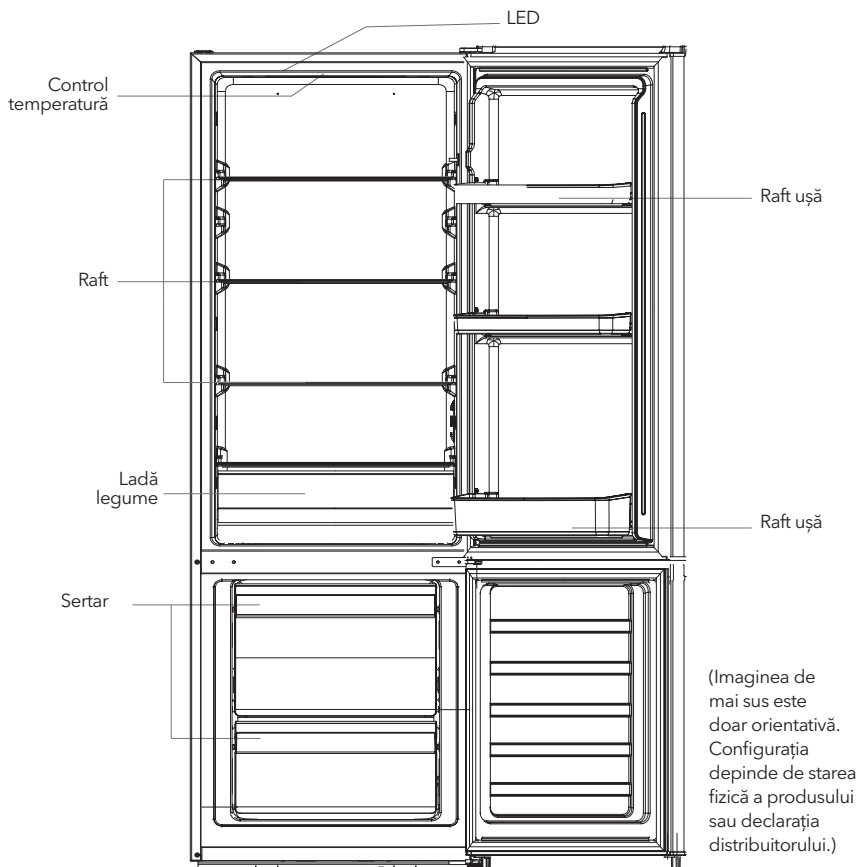
- După transport, vă rugăm să lăsați produsul să stea mai mult de 2 ore înainte de a porni alimentarea, altfel va duce la o scădere a capacității de răcire sau la deteriorarea produsului.
- Înainte de a pune alimente proaspete sau congelate, frigiderul trebuie să funcționeze timp de 2-3 ore, sau mai mult de 4 ore vara când temperatura ambientală este ridicată.
- Vă rugăm să scoateți ștecherul în caz de pană de curent sau de curățare. Nu conectați congelatorul la sursa de alimentare în decurs de cinci minute pentru a preveni deteriorarea compresorului din cauza pornirilor succesive.

Recomandări pentru economisirea energiei

- Aparatul trebuie amplasat în cea mai răcoasă zonă a încăperii, departe de aparatele care produc căldură sau de conductele de încălzire și ferit de lumina directă a soarelui.
- Lăsați alimentele fierbinți să se răcească la temperatura camerei înainte de a le introduce în aparat. Supraîncărcarea aparatului forțează compresorul să funcționeze mai mult. Alimentele care îngheață prea încet pot pierde calitatea sau se pot strica.
- Asigurați-vă că împachetați alimentele în mod corespunzător și ștergeți recipientele înainte de a le introduce în aparat. Acest lucru reduce acumularea de îngheț în interiorul aparatului.
- Recipientul de depozitare a aparatului nu trebuie acoperit cu folie de aluminiu, hârtie sau prosoape de hârtie. Căptușelile interferează cu circulația aerului rece, făcând aparatul mai puțin eficient.
- Organizați și etichetați alimentele pentru a reduce deschiderile ușilor și căutărilor extinse. Scoateți cât mai multe articole necesare simultan și închideți ușa cât mai curând posibil.

STRUCTURĂ ȘI FUNCȚII

Elemente-cheie



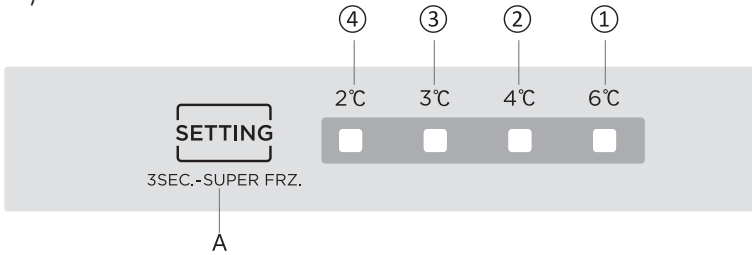
Cameră frigorifică

- Camera frigorifică este potrivită pentru depozitarea unei varietăți de fructe, legume, băuturi și alte alimente consumate pe termen scurt. Timp de depozitare recomandat de la 3 la 5 zile.
- Alimentele nu trebuie introduse în camera frigorifică până când nu se răcesc la temperatura camerei.
- Alimentele se recomandă să fie sigilate înainte de a le pune în frigider.
- Răfurile din sticlă pot fi reglate în sus sau în jos pentru un spațiu rezonabil de depozitare și o utilizare ușoară.

Camera de congelare

- Camera de congelare la temperatură joasă poate păstra alimentele proaspete pentru o perioadă lungă de timp și este folosită în principal pentru a păstra alimente congelate și pentru a face gheață.
- Camera de congelare este potrivită pentru depozitarea cărnii, peștelui și a altor alimente care nu trebuie consumate pe termen scurt.
- Bucățile de carne sunt de preferat să fie în bucăți mici pentru un acces ușor. Vă rugăm să rețineți că alimentele vor fi consumate în timpul de depozitare.
- Sertarele, cutiile pentru alimente, rafturile etc. amplasate conform poziției din imaginea de mai sus sunt cele mai eficiente energetic.

Funcții



Imaginea de mai sus este doar orientativă. Configurația depinde de starea fizică a produsului sau declarația distribuitorului.

1. Tastă

A. Tasta Set (Setează temperatura)

2. Ecran afișaj

LED ① setting 1: 6°C

LED ② setting 2: 4°C

LED ③ setting 3: 4°C

LED ④ setting 4: 2°C

3. Afișaj

Odată pornit inițial, ecranul de afișare este afișat complet timp de 3 secunde.

Iar apoi frigiderul funcționează conform setării 2 (4°C).

În cazul unei defecțiuni, LED-ul corespunzător clipește.

În cazul în care nu există defecțiuni, arată setarea reală a temperaturii frigiderului.

Cod eroare Descriere eroare

LED ① Senzor temperatura ambientală

LED ③ Senzor deszghețare congelator

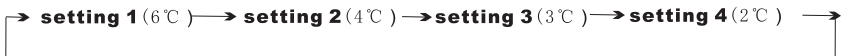
LED ④ Circuit senzor temperatură frigider

4. Setare temperatură

De fiecare dată când butonul de setare a temperaturii A este apăsat o dată, setarea temperaturii se schimbă o dată.

După ce setarea temperaturii a fost finalizată, frigiderul va funcționa după valoarea setată după 30 de secunde.

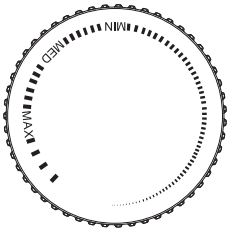
Procedura de schimb este:



5. Mod super congelare

Apăsăți lung tasta de setare a temperaturii timp de 3 secunde, după ce LED ② urile și LED ③ urile se aprind timp de 30 de secunde, va intra în modul Super congelare. Apăsarea lungă a tastei de setare a temperaturii timp de 3 secunde ar putea anula modul Super congelare.

Controlul temperaturii



- Rotiți butonul de control al temperaturii la MAX, temperatura internă a frigiderului devine mai scăzută.
- Rotiți butonul de control al temperaturii pe MAX, temperatura internă a frigiderului devine mai ridicată
- Vă rugăm să reglați temperatura între "MAX" și "MIN"

ÎNTREȚINEREA FRIGIDERULUI

Curățare generală

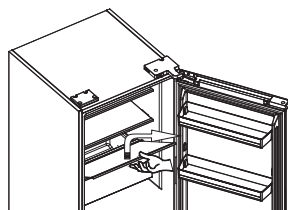
- Praful din spatele frigiderului și de pe sol trebuie curățat în timp util pentru a îmbunătăți efectul de răcire și a economisi energie.
- Verificați în mod regulat garnitura ușii pentru a vă asigura că nu există resturi. Curățați garnitura ușii cu o cârpă moale umezită cu apă cu săpun sau detergent diluat.
- Interiorul frigiderului trebuie curățat regulat pentru a evita mirosul.
- Vă rugăm să opriți alimentarea înainte de a curăța interiorul, îndepărtați toate alimentele, băuturile, rafturile, sertarele etc.
- Folosiți o cârpă moale sau un burete pentru a curăța interiorul frigiderului, cu două linguri de bicarbonat de sodiu și un litru de apă caldă. Apoi clătiți cu apă și ștergeți. După curățare, deschideți ușa și lăsați-o să se usuce natural înainte de a porni.
- Pentru zonele greu de curățat în frigider (cum ar fi porțiuni înguste, goluri sau colțuri), se recomandă să le ștergeți în mod regulat cu o cârpă moale, perie moale etc. și atunci când este necesar, combinate cu unele unelte auxiliare (cum ar fi ca bețișoare subțiri) pentru a asigura o bună acumulare de contaminanți sau bacterii în aceste zone.
- Nu folosiți săpun, detergent, praf pentru spălat, spray de curățat etc., deoarece acestea pot provoca mirosuri în interiorul frigiderului sau alimente contaminate.
- Curățați cadrul sticlei, rafturile și sertarele cu o cârpă moale umezită cu apă cu săpun sau detergent diluat. Uscați cu o cârpă moale sau uscați în mod natural.
- Ștergeți suprafața exterioară a frigiderului cu o cârpă moale umezită cu apă cu săpun, detergent etc., apoi ștergeți-l.
- Nu utilizați perii dure, bile de oțel, perii de sârmă, abrazive (cum ar fi paste de dinți), solvenți organici (cum ar fi alcool, acetonă, ulei de banane etc.), apă clocotită, articole acide sau alcaline, care pot deteriora frigiderul, suprafața și interiorul. Apa clocotită și solvenții organici, cum ar fi benzenul, pot deforma sau deteriora piesele din plastic.
- Nu clătiți direct cu apă sau alte lichide în timpul curățării pentru a evita scurtcircuitele sau pentru a afecta izolația electrică după imersare.



Scoateți din priză înainte de curățare.

Curățarea rafturilor din sticlă

- Scoateți sertarul de pe raftul de sticlă;
- Ridicați partea din față a raftului de sticlă (aproximativ 60°), apoi trageți-l afară;
- Scoateți raftul de sticlă și curățați după cum este necesar
- Operația inversă este pentru instalarea raftului de sticlă.



Dezghețare

- Opriți frigiderul.
- Scoateți alimentele din frigider și așezați-le corect pentru a preveni topirea alimentelor.
- Curățați conducta de scurgere (pentru a folosi materiale moi pentru a preveni deteriorarea căptușelii), Pregătiți recipientele de apă pentru dezghețare. (Acordați atenție curățării tăvii de scurgere a apei din compartimentul compresorului, Evitarea revărsării la sol).
- Puteți folosi temperatura naturală pentru dezghețarea naturală, puteți folosi și lopata de gheață pentru a elimina înghețul (folosiți o lopată de gheață din plastic sau lemn, pentru a evita deteriorarea căptușelii sau țevii). Puteți folosi și cantitatea adecvată de fierbinte. apă pentru a grăbi dezghețarea, cu un prosop uscat pentru a usca apa după dezghețare.
- După decongelare, puneți înapoi alimentele în dulap și porniți frigiderul.

Nefuncționare

- **Pana de curent:** În caz de pană de curent, chiar dacă este vară, alimentele din interiorul aparatului pot fi păstrate câteva ore; în timpul căderii de curent, timpul de deschidere a ușii va fi redus și nu se vor mai introduce alimente proaspete în aparat.
- **Neutilizare îndelungată:** Aparatul trebuie scos din priză și apoi curățat; apoi ușile vor fi lăsate deschise pentru a preveni mirosul.
- **Mutare:** Înainte de mutarea frigiderului, scoateți toate obiectele, fixați pereții despărțitori de sticlă, suportul pentru legume, sertarele camerei de congelare etc. cu bandă adezivă și strângeți picioarele de nivelare; închideți ușile și fixați-le cu bandă adezivă. În timpul deplasării, aparatul nu trebuie așezat cu capul în jos sau orizontal și nici să fie vibrat; înclinarea în timpul mișcării nu trebuie să fie mai mare de 45°.



Aparatul va funcționa continuu odată ce este pornit. În general, funcționarea aparatului nu trebuie întreruptă; în caz contrar, durata de viață poate fi afectată.

DEPANARE

Puteți încerca să rezolvați singur următoarele probleme simple.

Dacă acestea nu pot fi rezolvate, vă rugăm să contactați departamentul post-vânzare.

Nefuncționare	Verificați dacă aparatul este conectat la curent sau dacă ștecherul este bine în contact Verificați dacă tensiunea este prea scăzută Verificați dacă există o întrerupere a curentului sau s-au declanșat circuite parțiale
Miros	Alimentele mirositoare trebuie să fie etanș împachetate Verificați dacă există alimente stricate Curățați interiorul frigiderului
Funcționare îndelungată a compresorului	Funcționarea îndelungată a frigiderului este normală vara când temperatura ambientală este ridicată Nu este recomandat să aveți prea multă mâncare în aparat în același timp Mâncarea se va răci înainte de a fi introdusă în aparat. Ușile sunt deschise prea des
Becurile nu se aprind	Verificați dacă frigiderul este conectat la sursa de alimentare și dacă lumina de iluminare este deteriorată
Ușile nu se închid rapid	Ușa este blocată de pachetele alimentare. Frigiderul este înclinat
Zgomot	Verificați dacă podeaua este nivelată și dacă frigiderul este așezat stabil Verificați dacă accesoriile sunt amplasate în locuri adecvate
Garnitura ușii nu se închide	Îndepărtați corpurile străine de pe garnitura ușii Încălziți garnitura ușii și apoi răciți-o pentru restaurare (sau suflați-l cu un uscător electric sau folosiți un prosop fierbinte pentru încălzire)
Containerul de apă este plin	Există prea multă mâncare în cameră sau alimentele depozitate conțin prea multă apă, ceea ce duce la o dezghețare puternică Ușile nu sunt închise corespunzător, rezultând îngheț din cauza intrării de aer și creșterea apei din cauza dezghețului
Carcasă fierbinte	Disiparea căldurii condensatorului încorporat prin carcasă, ceea ce este normal. Când carcasa devine fierbinte din cauza temperaturii ambientale ridicate și a depozitării prea multor alimente, se recomandă asigurarea unei ventilații sonore pentru a facilita disiparea căldurii.

Consens pe suprafață	Condensul pe suprafața exterioară și pe garniturile ușilor frigiderului este normal când umiditatea ambientală este prea mare. Doar ștergeți condensul cu un prosop curat.
Zgomot anormal	Băzâit: compresorul poate produce zgomot în timpul funcționării, iar zgomotul: sunt puternic, în special la pornire sau oprire. Asta este normal. Scârțâit: agentul frigorific care curge în interiorul aparatului poate produce scârțâit, ceea ce este normal.

Recomandări pentru eliminare



Refrigerantul și materialul spumant ciclopentan utilizat pentru frigider sunt inflamabile. Prin urmare, atunci când frigiderul este răzuit, acesta trebuie ținut departe de orice sursă de foc și recuperat de către o firmă de recuperare cu calificare corespunzătoare, nu eliminate prin ardere, astfel încât să se prevină deteriorarea mediului sau orice alte daune.



Când frigiderul este răzuit, dezamblați ușile și îndepărtați garnitura ușii și a raftului; puneți ușile și rafturile într-un loc corespunzător, astfel încât să preveniți blocarea copiilor.



Eliminarea corectă a acestui produs:

Acest marcaj indică faptul că acest produs nu trebuie aruncat împreună cu alte deșeuri menajere în întreaga UE. Pentru a preveni posibilele daune aduse mediului sau sănătății umane prin eliminarea necontrolată a deșeurilor, reciclați-le în mod responsabil pentru a promova reutilizarea durabilă a resurselor materiale. Pentru a returna dispozitivul folosit, vă rugăm să utilizați sistemele de returnare și colectare sau contactați comerciantul de unde a fost achiziționat produsul. Ei pot lua acest produs pentru reciclare sigură pentru mediu.

VARNOSTNA OPOZORILA

- Ta naprava je namenjena uporabi v gospodinjstvu in podobnih prostorih, kot so kuhinje za osebe v trgovinah, pisarnah in drugih delovnih okoljih, na kmetijah ter za stranke v hotelih, motelih in drugih stanovanjskih okoljih, v gostinskih lokalih in podobnih okoljih, kot so prenočišča in zajtrki, v gostinstvu in podobnih prostorih, ki niso namenjeni prodaji na drobno.
- Ta naprava ni namenjena za uporabo osebam (vključno z otroki) z zmanjšanimi fizičnimi, senzoričnimi ali duševnimi sposobnostmi ali s pomanjkanjem izkušenj in znanja, razen če jih oseba, odgovorna za njihovo varnost, nadzoruje ali jih pouči o uporabi aparata).
- Otroke je treba nadzorovati, da se ne igrajo z napravo. Če je napajalni kabel poškodovan, ga mora zamenjati proizvajalec, njegov servisni zastopnik ali podobno usposobljene osebe, da bi se izognili nevarnosti.
- V tej napravi ne shranjujte eksplozivnih snovi, kot so aerosolne pločevinke z vnetljivim pogonskim gorivom.
- NAPRAVA mora biti po uporabi in pred izvajanjem uporabniškega vzdrževanja na napravi izključena iz električnega omrežja.
- Prezračevalne odprtine v ohišju aparata ali v vgrajeni konstrukciji naj ne bodo ovirane.
- Ne uporabljajte mehanskih naprav ali drugih sredstev za pospeševanje postopka odmrzovanja, razen tistih, ki jih priporoča proizvajalec.
- Ne poškodujte hladilnega kroga.
- Ne uporabljajte električnih aparatov v prostorih za shranjevanje živil v aparatu, razen če gre za tip, ki ga priporoča proizvajalec.
- Hladilnik opustite v skladu z lokalnimi predpisi, saj uporablja vnetljiv pihalni plin in hladilno sredstvo.
- Pri nameščanju aparata poskrbite, da se napajalni kabel ne zatakne ali poškoduje.
- Na zadnji strani aparata ne nameščajte več prenosnih vtičnic ali prenosnih napajalnikov.
- Ne uporabljajte podaljškov ali neozemljenih (dvožilnih) adapterjev.
- Nevarnost ujetja otrok. Preden zavržete star hladilnik ali zamrzovalnik:
 - Odstranite vrata.
 - Police pustite na mestu, tako da otroci ne morejo zlahka splezati v notranjost.
- Hladilnik je treba odklopiti od vira električnega napajanja, preden se lotite namestitve dodatne opreme.
- Hladilno sredstvo in ciklopentan za penjenje, ki se uporabljata za napravo, sta vnetljiva. Zato je treba aparat pri razgradnji hraniti stran od vira ognja in ga predelati pri posebnem podjetju za predelavo z ustrežno usposobljenostjo, ne pa ga odstraniti z zgorevanjem, da se prepreči škoda za okolje ali kakršna koli druga škoda.
- To napravo lahko uporabljajo otroci, stari od 8 let naprej, in osebe z zmanjšanimi fizičnimi, senzoričnimi ali duševnimi sposobnostmi ali osebe brez izkušenj in znanja, če so bile nadzorovane ali poučene o uporabi naprave na varen način in če razumejo nevarnosti, ki so s tem povezane. Otroci se z napravo ne smejo igrati. Otroci ne smejo čistiti in vzdrževati naprave brez nadzora. Otroci, stari od 3 do 8 let lahko nalagajo in odlagajo hladilne aparate.
- V primeru vrat ali pokrovov, opremljenih s ključavnicami in ključi, je treba ključ hraniti zunaj dosega otrok in ne v bližini hladilnega aparata, da se prepreči, da bi se otroci zaklenili v notranjost.
- Da bi se izognili kontaminaciji živil, upoštevajte naslednja navodila:
 - Dolgotrajno odpiranje vrat lahko povzroči znatno povišanje temperature v prostorih aparata.
 - Redno čistite površine, ki lahko pridejo v stik z žvili, in dostopne odtočne sisteme.
 - Očistite rezervoarje za vodo, če jih niste uporabljali 48 ur; izpraznite vodovodni sistem, priključen na vodovod, če vode niste črpali 5 dni. (opomba 1)
 - Surovo meso in ribe shranjujte v ustreznih posodah v hladilniku, tako da ne pridejo v stik z drugimi žvili ali ne kapljajo nanje.
 - Predelki za zamrznjena živila z dvema zvezdicama so primerni za shranjevanje vnaprej zamrznjenih živil, shranjevanje ali pripravo sladoleada in izdelavo ledenih kock. (opomba 2)
 - Predelki z eno, dvema in tremi zvezdicami niso primerni za zamrzovanje svežih živil. (opomba 3)
 - Za aparate brez predela s štirimi zvezdicami: ta hladilni aparat ni primeren za zamrzovanje živil (opomba 4).
 - Če hladilni aparat ostane prazen dlje časa prazen, ga izklopite, odmrznete, očistite, posušite in pustite vrata odprta, da v aparatu ne nastane plesen.
- Opomba 1, 2, 3, 4: Preverite, ali je to primerno glede na tip predelka vašega izdelka.
- ZA samostojeci aparat: ta hladilni aparat ni namenjen za uporabo kot vgradni aparat.
- Kakršno koli zamenjavo ali vzdrževanje LED-sijalk naj opravi proizvajalec, njegov servisler ali podobno usposobljena oseba.
- Ta izdelek vsebuje svetlobni vir razreda energijske učinkovitosti (F).

Pomen varnostnih opozorilnih simbolov



To je simbol prepovedi. Vsako neupoštevanje navodil, označenih s tem simbolom, lahko povzroči poškodbe izdelka ali ogrozi osebno varnost uporabnika.



To je opozorilni simbol. Pri uporabi je treba dosledno upoštevati navodila, označena s tem simbolom, sicer lahko pride do poškodb izdelka ali telesnih poškodb.



To je opozorilni simbol. Navodila, označena s tem simbolom, zahtevajo posebno previdnost. Nezaostna previdnost lahko povzroči lahko pride do lahkih ali zmernih poškodb ali poškodb izdelka.

Ta priročnik vsebuje veliko pomembnih varnostnih informacij, ki jih morajo uporabniki upoštevati

Opozorila v zvezi z električno energijo

- Med vlečenjem vtiča hladilnika za napajalni kabel ne potegnite za napajalni kabel. Vtič trdno primite in ga neposredno izvlecite iz vtičnice.
- Za zagotovitev varne uporabe ne poškodujte napajalnega kabla in ga ne uporabljajte, če je poškodovan ali obrabljen.
- Uporabljajte namensko vtičnico in vtičnice ne smete deliti z drugimi električnimi napravami.
- Napajalni vtič se mora trdno dotikati vtičnice, sicer lahko pride do požara.
- Prepričajte se, da je ozemljitvena elektroda vtičnice opremljena z zanesljivo ozemljitveno linijo.
- V primeru uhajanja plina in drugih vnetljivih plinov zaprite ventil uhajajočega plina in nato odprite vrata in okna. Hladilnika in drugih električnih naprav ne izključite iz električnega omrežja, saj lahko iskre povzročijo požar.
- Ne uporabljajte električnih naprav na vrhu aparata, razen če gre za tip, ki ga priporoča proizvajalec..

Opozorila za uporabo

- Hladilnika ne razstavljajte in ne predelujte samovoljno ter ne poškodujte hladilnega kroga; vzdrževanje naprave mora opraviti strokovnjak.
- Poškodovan napajalni kabel mora zamenjati proizvajalec, njegov oddelek za vzdrževanje ali sorodni strokovnjaki, da bi se izognili nevarnosti.
- Vrzeli med vrati hladilnika ter med vrati in ohišjem hladilnika so majhne, bodite pozorni, da na ta območja ne položite roke, da ne bi stisnili prsta. Pri odpiranju vrat hladilnika bodite previdni, da ne bi prišlo do padca predmetov.
- V zamrzovalni komori med delovanjem hladilnika z mokrimi rokami ne pobirajte živil ali posod, zlasti in kovinskih posod, da se izognete omrzlinam.
- Otrokom ne dovolite, da bi vstopili v hladilnik ali se nanj povzpeli, sicer lahko pride do zadušitve ali poškodbe otroka zaradi padca.
- Na vrh hladilnika ne postavljajte težkih predmetov, saj lahko cilji pri zapiranju ali odpiranju vrat padejo, kar lahko povzroči nenamerne poškodbe.
- V primeru izpada električne energije ali čiščenja izvlecite vtič. V petih minutah zamrzovalnika ne priključite na električno omrežje, da preprečite poškodbe kompresorja zaradi zaporednih zagonov.

Opozorila za namestitvev

- V hladilnik ne polagajte vnetljivih, eksplozivnih, hlapljivih in zelo jedkih predmetov, da preprečite poškodbe izdelka ali požar.
- Vnetljivih predmetov ne postavljajte v bližino hladilnika, da preprečite požar.
- Hladilnik je namenjen za uporabo v gospodinjstvu, na primer za shranjevanje živil; ne sme se uporabljati v druge namene, na primer za shranjevanje krvi, zdravil ali bioloških izdelkov itd.
- V zamrzovalni komori hladilnika ne shranjujte piva, pijač ali drugih tekočin v steklenicah ali zaprtih posodah; sicer lahko steklenice ali zaprte posode zaradi zamrzovanja popokajo in povzročijo škodo.

Opozorila za energijo

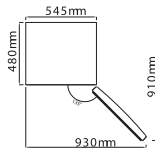
1. Hladilni aparati morda ne bodo delovali dosledno (možnost odmrzovanja vsebine ali prevroče temperature v predelu za zamrznjena živila), če bodo dlje časa nameščeni pod mrzlim koncem temperaturnega območja, za katerega je hladilni aparat zasnovan.
2. Dejstvo, da šumečih pijač ne smemo shranjevati v zamrzovalnih prostorih ali omarah za živila ali v prostorih ali omarah z nizko temperaturo in da nekaterih izdelkov, kot so vodni sladoledi, ne smemo uživati prehladne;
3. Ne smemo prekoračiti časa(-ov) skladiščenja, ki ga(-ih) priporočajo proizvajalci živil za vse vrste živil, zlasti za komercialno hitro zamrznjena živila v zamrzovalnikih in omarah za shranjevanje zamrznjenih živil;
4. Previdnostni ukrepi, ki so potrebni za preprečitev nepotrebne dviga temperature zamrznjenih živil med odmrzovanjem hladilnega aparata, kot je zavijanje zamrznjenih živil v več plasti časopisa.
5. Dejstvo, da lahko povišanje temperature zamrznjenih živil med ročnim odmrzovanjem, vzdrževanjem ali čiščenjem skrajša čas skladiščenja.
6. Pri vratih ali pokrovi, opremljenih s ključavnicami in ključi, je treba ključe hraniti zunaj dosega otrok in ne v bližini hladilnega aparata, da se prepreči zaklepanje otrok v notranjost.

PRAVILNA UPORABA HLADILNIKOV

Umestitev

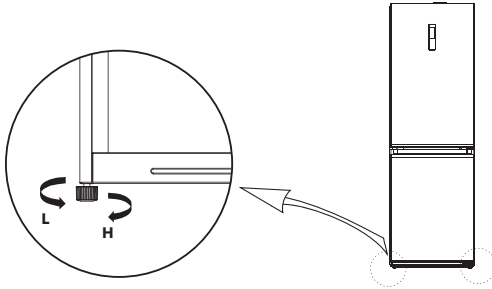
- Pred uporabo odstranite ves embalažni material, vključno z blazinami na dnu, penastimi blazinicami in trakovi v notranjosti hladilnika; odtrgajte zaščitno folijo na vratih in ohišju hladilnika.
- Hranite stran od toplote in se izogibajte neposredni sončni svetlobi. Zamrzovalnika ne postavljajte na vlažna ali vodnata mesta, da preprečite rjavenje ali zmanjšanje izolacijskega učinka.
- Hladilnika ne pršite ali umivajte; hladilnika ne postavljajte na vlažna mesta, ki jih zlahka poškrapi voda, da ne bi vplivali na električne izolacijske lastnosti hladilnika.
- Hladilnik postavite v dobro prezračen notranji prostor; tla morajo biti ravna in stabilna (obračajte levo ali desno, da prilagodite kolo za izravnavo, če je nestabilno).
- Zgornji prostor hladilnika mora biti večji od 30 cm in Hladilnik mora biti postavljen ob steno s prosto razdaljo več kot 10 cm, da se olajša odvajanje toplote.

- Prihranite dovolj prostora za udobno odpiranje vrat in predalov.



Zgornja slika je samo za referenco. Dejanska konfiguracija bo odvisna od fizičnega izdelka ali izjave distributerja.

Noge za izravnavo



Zgornja slika je le referenčna. Dejanska konfiguracija je odvisna od fizičnega izdelka ali izjave distributerja

Postopki prilagajanja::

- Obrnite noge v smeri urinega kazalca, da dvignete hladilnik;
- Obrnite nogice v nasprotni smeri urinega kazalca, da spustite hladilnik;
- Nastavite desno in levo nogo glede na zgornje postopke na vodoravno raven.

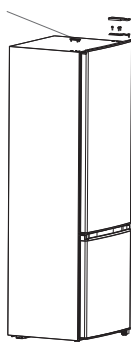
Menjava vrat desno-levo

Seznam trikov, ki jih zagotovi uporabnik			
	Križni izvijač		Nož za kiti izvijač s tankim rezilom
	5/16" vtičnica in ralchet		Lepilni trak

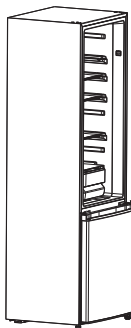
Parts to be used for door reverse			
SN	Part	Quantity	Notes
1	Desni zgornji tečaj	1	Vnaprej nameščen na hladilniku, še vedno se uporablja, ko so vrata obrnjena
2	Vijak zgornjega tečaja	3	Prednameščeno na hladilniku in za uporabo pri menjavi vrat
3	Srednji tečajni vijak	2	Prednameščeno na hladilniku in za uporabo pri menjavi vrat
4	Srednji tečaj	1	Prednameščeno na hladilniku in za uporabo pri menjavi vrat
5	Čep za luknje	2	Prednameščeno na hladilniku in za uporabo pri menjavi vrat
6	Nastavljiva noga	1	Prednameščeno na hladilniku in za uporabo pri menjavi vrat
7	Vijak spodnjega tečaja	3	Prednameščeno na hladilniku in za uporabo pri menjavi vrat
8	Sklop spodnjega tečaja	1	Prednameščeno na hladilniku in za uporabo pri menjavi vrat
9	zamrzovalnih vrat	1	Prednameščeno na hladilniku in za uporabo pri menjavi vrat
10	Spodnji končni vijak pokrova Spodnji končni pokrov omejevalni blok zamrzovalnih vrat	1	Prednameščeno na hladilniku in za uporabo pri menjavi vrat
11	Vijak spodnjega pokrova vrat hladilnika	1	Prednameščeno na hladilniku in za uporabo pri menjavi vrat
12	Desni zamašek vrat hladilnika	1	Prednameščeno na hladilniku in za uporabo pri menjavi vrat
13	Levi zamašek vrat hladilnika	1	V priloženi plastični vrečki jih vzemite ven za uporabo, ko so vrata obrnjena

1. Izklopite hladilnik in odstranite vse predmete s podstavkov na vratih.
2. Odstranite pokrov zgornjega tečaja, odklopite signalne žice, zgornji tečaj in pokrov luknje na drugi strani, odstranite vrata hladilnika.

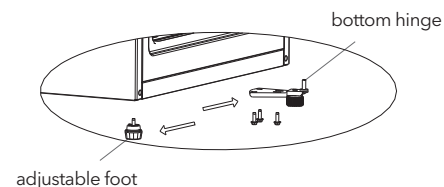
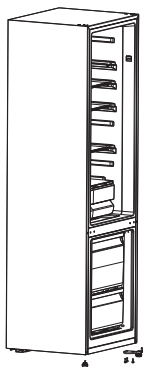
pokrov zgornjega tečaja



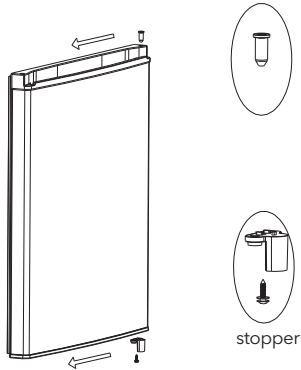
Odstranite vrata hladilnika, srednji tečaj in pokrovčke lukenj za vijake na drugi strani.



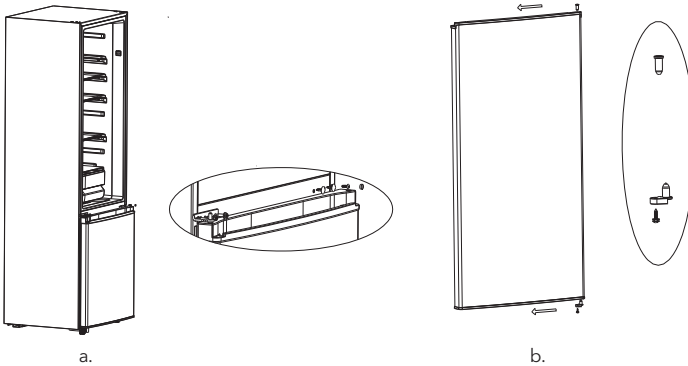
4. Odstranite vrata zamrzovalnika in razstavite spodnji tečaj ter levo nastavljivo nogo. Zamenjajte namestitveni položaj spodnjega tečaja in nastavljive noge ter pritrdite spodnji tečaj z vijaki.



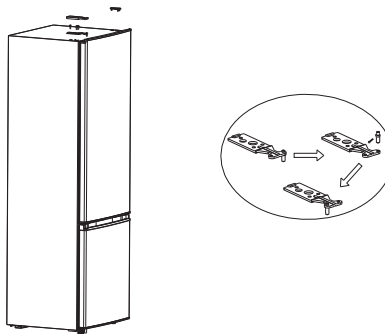
5. Odstranite zamašek vrat zamrzovalnika in ga namestite na drugo stran z vijakom.



6. Namestite vrata zamrzovalnika na spodnji tečaj, nato namestite srednji tečaj in privijte pokrovčke lukenj (a). Odstranite zamašek vrat hladilnika in ga namestite na drugo stran s pritrditvijo vijaka (b)



7. Spremenite položaj namestitve gredi zgornjega tečaja, kot je prikazano spodaj, nato postavite vrata hladilnika na srednji tečaj in pritrdite zgornji tečaj z vijaki, da končno namestite pokrov zgornjega tečaja in pokrov luknje.



Spreminjanje svetlobe

Kakršno koli zamenjavo ali vzdrževanje LED sijalke naj izvede proizvajalec, njegov serviser ali podobno usposobljena oseba.

Začetek

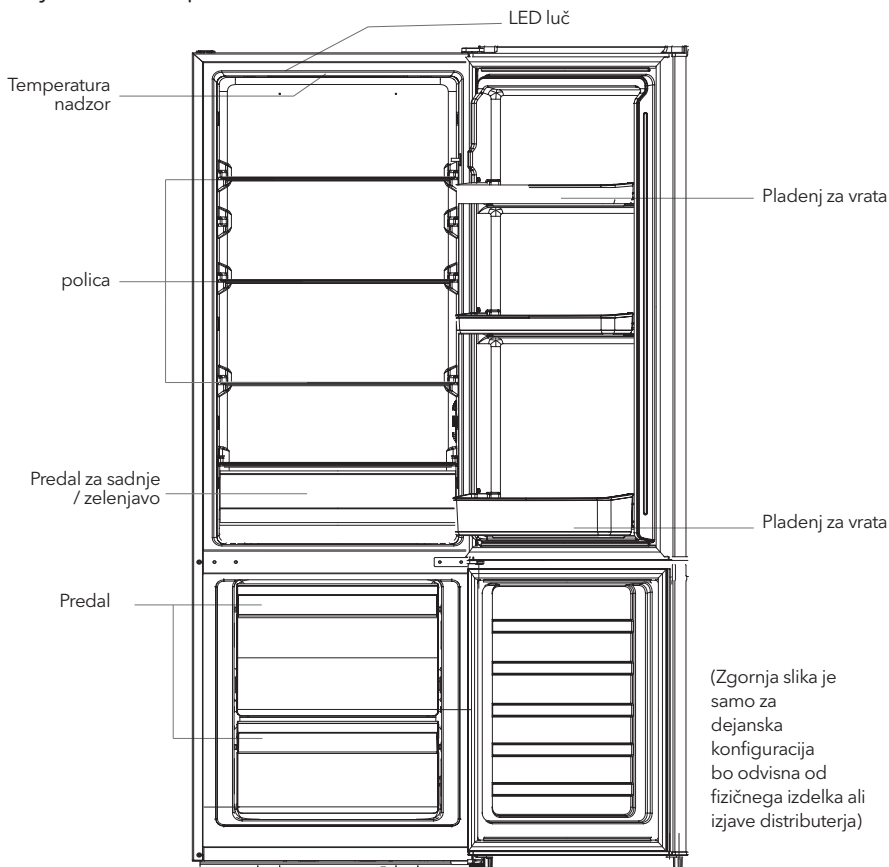
- Po transportu pustite izdelek stati več kot 2 uri, preden vključite napajanje, sicer lahko pride do zmanjšanja hladilne zmogljivosti ali poškodbe izdelka.
- Preden vstavite svežo ali zamrznjeno živilo, mora hladilnik delovati 2-3 ure ali več kot 4 ure poleti, ko je temperatura okoli visoka.
- V primeru izpada električne energije ali čiščenja izvlecite vtič. Zamrzovalnika ne priključite na napajanje v petih minutah, da preprečite poškodbe kompresorja zaradi zaporednih zagonov.

Nasveti za varčevanje z energijo

- Naprava mora biti nameščena v najhladnejšem delu prostora, stran od naprave, ki proizvaja toploto, ali ogrevalnih kanalov ter stran od neposredne sončne svetlobe.
- Vroča živila naj se ohladijo na sobno temperaturo, preden jih daste v aparat. Preobremenjenih naprav povzroči nadaljnje delovanje kompresorja. Živila, ki zamrznejo prepočasi, lahko izgubijo kakovost ali se pokvarijo.
- Živila pravilno zavijte in posode obrišite do suhega, preden jih postavite v aparat. Za zmanjšanje nabiranja ledu v notranjosti naprave.
- Posoda za shranjevanje naprave ne sme biti obložena z aluminijasto folijo, voščenim papirjem ali papirnatimi brisačami. Podloge ovirajo kroženje hladnega zraka, zaradi česar je naprava manj učinkovita.
- Organizirajte in označite hrano, da zmanjšate število odpiranja vrat in daljšega iskanja. Odstranite čim več predmetov, ki jih potrebujete, in čim prej zaprite vrata.

ZGRADBA IN FUNKCIJE

Ključne komponente



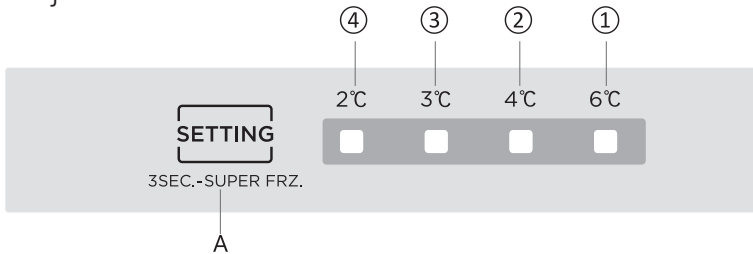
Hladilna komora

- Hladilna komora je primerna za shranjevanje raznovrstnega sadja, zelenjave, pijače in druge hrane, ki jo porabimo za kratek rok. Predlagani čas shranjevanja 3 dni do 5 dni.
- Živila za kuhanje ne dajajte v hladilno komoro, dokler se ne ohladi na sobno temperaturo.
- Živila je priporočljivo zapreti, preden jih postavite v hladilnik.
- Steklene police lahko nastavite navzgor ali navzdol za razumno količino prostora za shranjevanje in preprosto uporabo.

Zamrzovalna komora

- Nizkotemperaturna zamrzovalna komora lahko ohrani hrano svežo dlje časa in se uporablja predvsem za shranjevanje zamrznjene hrane in izdelavo ledu.
- Zamrzovalna komora je primerna za shranjevanje mesa, rib, riževih kroglic in drugih živil, ki jih ne smete porabiti v kratkem času.
- Kose mesa je najbolje razdeliti na majhne koščke za lažji dostop. Upoštevajte, da je treba hrano zaužiti v času skladiščenja.
- Energijsko najučinkovitejši so predali, škatle za hrano, police itd., ki so nameščeni glede na položaj na zgornji sliki.

Funkcije



Zgornja slika je samo za referenco. Dejanska konfiguracija bo odvisna od fizičnega izdelka ali izjave distributerja.

1. Ključ

A. Tipka za nastavitve (gumb za nastavitve temperature v hladilnem delu)

2. Prikazni zaslon

LED ① setting 1: 6°C

LED ② setting 2: 4°C

LED ③ setting 3: 4°C

LED ④ setting 4: 2°C

3. Zaslon

Po prvem vklopu je zaslon na celotnem zaslonu 3 s. nato pa hladilnik deluje v skladu z nastavitvijo 2 (4°C). V primeru okvare ustrezná LED dioda utripa.

V primeru, da ni napak, prikazuje dejansko nastavljeno temperaturo hladilnika.

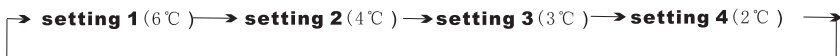
Koda napake	Opis napake
LED ①	Senzor temperature okolja
LED ③	Senzor za odmrzovanje hladilnika
LED ④	Vezje senzorja temperature hladilnika

4. Nastavitve temperature

Vsakič, ko enkrat pritisnete gumb za nastavitve temperature A, se nastavitve temperature enkrat spremeni.

Po končani nastavitvi temperature bo hladilnik po 30 sekundah deloval po nastavljeni vrednosti.

Regulacija izmene je:

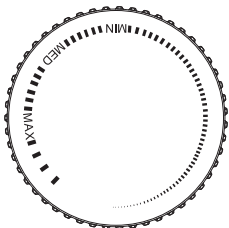


5. Način super zamrzovanja

Dolgo pritisnete tipko za nastavitve temperature za 3 s, po LED ② in LED ③ osvetlitvi za 30 s, bo prešel v način super zamrzovanja.

Dolg pritisk na tipko za nastavitve temperature za 3 sekunde lahko preklopi način super zamrzovanja.

Temperature control



- Obrnite temperaturo regulatorja na MAX, notranja temperatura hladilnika postane nižja.
- Obrnite regulator temperature na MIX, notranja temperatura hladilnika postane višja.
- Nastavite temperaturo med »MAX« in »MIN«.

VZDRŽEVANJE IN NEGA HLADILNIKA

Generalno čiščenje

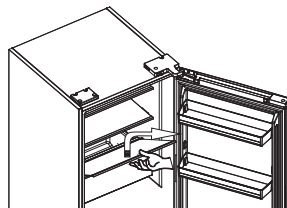
- Prah za hladilnikom in na tleh je treba pravočasno očistiti, da se izboljša učinek hlajenja in varčevanje z energijo.
- Redno preverjajte tesnilo vrat, da se prepričate, da ni smeti. Očistite tesnilo vrat z mehko krpo, navlaženo z milnico ali razredčenim detergentom.
- Notranjost hladilnika je treba redno čistiti, da se izognete neprijetnemu vonju.
- Pred čiščenjem notranjosti izklopite napajanje, odstranite vso hrano, pijačo, police, predale itd.
- Za čiščenje notranjosti hladilnika uporabite mehko krpo ali gobo z dvema žlicama sode bikarbone in litrom tople vode. Nato sperite z vodo in obrišite. Po čiščenju odprite vrata in pustite, da se naravno posušijo, preden vklopite napajanje.
- Za predele, ki jih je v hladilniku težko očistiti (kot so ozki sendviči, reže ali vogali), je priporočljivo, da jih redno obrišete z mehko krpo, mehko krtačo ipd. in po potrebi v kombinaciji z nekaterimi pomožnimi pripomočki (npr. kot tanke palčke), da preprečite kopičenje kontaminantov ali bakterij na teh območjih.
- Ne uporabljajte mila, detergenta, čistilnega praška, čistila v razpršilu itd., ker lahko povzročijo vonjave v notranjosti hladilnika ali onesaženi hrani.
- Očistite okvir steklenice, police in predale z mehko krpo, navlaženo z milnico ali razredčenim detergentom. Posušite z mehko krpo ali posušite na naraven način.
- Zunanjo površino hladilnika obrišite z mehko krpo, navlaženo z milnico, detergentom itd., in nato obrišite do suhega.
- Ne uporabljajte trdih ščetk, čistih jeklenih kroglic, žičnih ščetk, abrazivov (kot so zobne paste), organskih topil (kot so alkohol, aceton, bananino olje itd.), vrele vode, kislih ali alkalnih predmetov, ki lahko poškodujejo hladilnik. površina in notranjost. Vrela voda in organska topila, kot je benzen, lahko deformirajo ali poškodujejo plastične dele.
- Med čiščenjem ne izpirajte neposredno z vodo ali drugimi tekočinami, da preprečite kratke stike ali vplivate na električno izolacijo po potopitvi.



Za odmrzovanje in čiščenje izklopite hladilnik.

Čiščenje steklene police

- Odstranite predal na stekleni polici;
- Dvignite sprednji del steklene police (približno 60°) in nato izvlecite;
- Odstranite stekleno polico in jo po potrebi očistite;
- Obratna operacija je za namestitev steklene police.



Odtaljevanje

- Izklopite hladilnik.
- Živila vzemite iz hladilnika in jih pravilno postavite, da se hrana ne stopi.
- Očistite odtočno cev (uporabite mehke materiale, da preprečite poškodbe obloge), pripravite posode z vodo za odtaljevanje. (bodite pozorni na čiščenje pladnja za odtok vode v predelu kompresorja, izogibajte se prelivanju na tla).
- Za naravno odtaljevanje lahko uporabite naravno temperaturo, za odstranitev ledu lahko uporabite tudi lopato za led (uporabite plastično ali leseno lopato za led, da preprečite poškodbe obloge ali cevi) Uporabite lahko tudi ustrezno količino vročega vode, da pospešite odtaljevanje, s suho brisačo, da po odtaljevanju posušite vodo.
- Po odmrzovanju postavite živila nazaj v omarico in vklopite hladilnik.

Ne obratuje

- Izpad električne energije: V primeru izpada električne energije, tudi če je poleti, lahko živila v napravi ostanejo več ur; med izpadom električne energije se skrajšajo časi odpiranja vrat in v aparat ne dajate več svežih živil.
- Dolgotrajna neuporaba: Aparat izključite iz električnega omrežja in ga nato očistite; potem ostanejo vrata odprta, da se prepreči vonj.
- Premikanje: Preden hladilnik premaknete, vzemite vse predmete navzven, pritrdite steklene predelne stene, držalo za zelenjavo, predale zamrzovalne komore itd. s trakom in zategnite izravnalne noge; zaprite vrata in jih pritrdite s trakom. Med premikanjem aparata ne smete položiti na glavo ali vodoravno ali ga vibrirati; naklon med premikanjem ne sme biti večji od 45°.



Po zagonu mora naprava neprekinjeno delovati. Na splošno se delovanje naprave ne sme prekiniti, sicer se lahko skrajša življenjska doba.

ODPRAVLJANJE TEŽAV

Naslednje preproste težave lahko poskusite rešiti sami.
Če jih ni mogoče rešiti, se obrnite na poprodajni oddelek.

Neuspešna operacija	Preverite, ali je naprava priključena na električno omrežje oziroma ali je vtič v dobrem stiku Preverite, ali je napetost prenizka Preverite, ali je prišlo do izpada električne energije ali delnih tokokrogov
Neprijeten vonj	Hrana z neprijetnim vonjem mora biti tesno zavita. Preverite, ali je kakšna gnila hrana. Očistite notranjost hladilnika.
Dolgotrajno delovanje kompresorja	Dolgotrajno delovanje hladilnika je normalno poleti, ko je temperatura okolja visoka Ni priporočljivo imeti preveč hrane v aparatu hkrati. Živila se morajo ohladiti, preden jih vstavite v aparat. Vrata se odpirajo prepogosto
Lučka se ne prižge	Preverite, ali je hladilnik priključen na električno omrežje in ali je osvetlitev poškodovana
Vrata ni mogoče pravilo zapreti	Vrata so zataknjena s paketi hrane Hladilnik je nagnjen
Glasen hrup	Preverite, ali so tla ravna in ali je hladilnik stabilen. Preverite, ali so pripomočki nameščeni na ustreznih mestih.
Tesnilo na vratih ni tesno	Odstranite tujke na tesnilu vrat Tesnilo vrat segrejte in nato ohladite za obnovo (ali spihajte z električnim sušilnikom ali uporabite vročo brisačo za ogrevanje)
Posoda za vodo se preliva	V komori je preveč hrane ali pa shranjena hrana vsebuje preveč vode, kar povzroči močno odtaljevanje Vrata niso pravilno zaprta, kar povzroči zmrzal zaradi vstopa zraka in povečano količino vode zaradi odtaljevanja
Vročje ohišje	Odvajanje toplote vgrajenega kondenzatorja preko ohišja, kar je normalno. Kadar se ohišje segreje zaradi visoke temperature okolja in shranjevanja preveč hrane, je priporočljivo zagotoviti zvočno prezračevanje za lažje odvajanje toplote.

Površinska kondenzacija	Kondenzacija na zunanji površini in tesnilih vrat hladilnika je normalna, če je vlaga v okolju previsoka. Samo obrišite kondenzat s čisto brisačo.
Nenormalen hrup	Brnenje: kompresor lahko med delovanjem brni, brnenje: je glasno zlasti ob zagonu ali zaustavitvi. To je normalno. Škripanje: hladilno sredstvo, ki teče v notranjost aparata, lahko povzroči škripanje, kar je normalno.

Opozorila za odlaganje



Hladilno sredstvo in material za penjenje ciklopentana, ki se uporabljata za hladilnik, sta vnetljiva. Ko hladilnik postrgamo, ga zato ne približujte virom ognja in ga odstranite s strani posebnega podjetja za predelavo z ustrežno usposobljenostjo, razen za odstranitev s sežigom, da se prepreči škoda za okolje ali kakršna koli druga škoda.



Ko je hladilnik strgan, razstavite vrata in odstranite tesnilo vrat in polic; vrata in police postavite na pravo mesto, da preprečite ujetje katerega koli otroka.



Pravilno odstranjevanje tega izdelka:

Ta oznaka pomeni, da tega izdelka ne smete odlagati skupaj z drugimi gospodinjstvi odpadki po vsej EU. Da bi preprečili morebitno škodo okolju ali zdravju ljudi zaradi nenadzorovanega odlaganja odpadkov, ga odgovorno reciklirajte in spodbujajte trajnostno ponovno uporabo materialnih virov. Če želite vrniti rabljeno napravo, uporabite sisteme za vračilo in zbiranje ali se obrnite na prodajalca, kjer ste izdelek kupili. Ta izdelek lahko odnesejo v okolju varno recikliranje.

BEZBEDNOSNA UPOZORENJA

- Ovaj uređaj je namenjen za kućnu upotrebu i slične primene, poput kuhinjskih prostora u prodavnicama, kancelarijama i drugim radnim okruženjima; seoskih kuća i od strane gostiju u hotelima, motelima i drugim stambenim okruženjima; smeštajima tipa "noćenje s doručkom"; u ugostiteljstvu i sličnim neprodajnim aplikacijama.
- Ovaj uređaj nije namenjen za upotrebu od strane osoba (uključujući decu) sa smanjenim fizičkim, senzornim ili mentalnim sposobnostima, ili nedostatkom iskustva i znanja, osim ako im nije obezbeđen nadzor ili obuka o korišćenju uređaja od strane odgovorne osobe za njihovu sigurnost.
- Decu treba nadzirati kako ne bi igrala se s uređajem. Ako je priključni kabl oštećen, mora ga zameniti proizvođač, ovlašćeni serviser ili druga kvalifikovana osoba kako bi se izbegla opasnost.
- Nemojte skladištiti eksplozivne materije poput limenki sa zapaljivim prskalicama u ovom uređaju.
- Uređaj se mora isključiti nakon upotrebe i pre nego što se obavi korisničko održavanje uređaja.
- Održavajte otvore za ventilaciju u kućištu uređaja ili u ugrađenoj strukturi slobodnima od prepreka.
- Ne koristite mehaničke uređaje ili druge metode za ubrzanje procesa odmrzavanja osim onih preporučenih od strane proizvođača.
- Ne oštećujte krug rashladnog sredstva.
- Ne koristite električne aparate unutar odjeljaka za čuvanje hrane u uređaju, osim ako su od tipa preporučenog od strane proizvođača.
- Molimo vas da uređaj odbacite prema lokalnim propisima jer koristi zapaljive gasove i rashladna sredstva.
- Pri postavljanju uređaja, pobrinite se da priključni kabl nije zaglavljen ili oštećen.
- Ne postavljajte više utičnica ili prenosnih napajanja na zadnjoj strani uređaja.
- Ne koristite produžne kablove ili adaptere bez uzemljenja (sa dva štipaljka).
- Rizik od zatvaranja dece. Pre nego što se rešite ovog starog frižidera ili zamrzivača:
 - Skinuti vrata.
 - Ostaviti police na mestu kako deca ne bi lako ulazila unutra.
- Frižider se mora isključiti iz izvora električne energije pre nego što se pokuša instalacija dodatne opreme.
- Rashladno sredstvo i materijal za penjenje na bazi ciklopentana koji se koristi za uređaj su zapaljivi. Stoga, kada se uređaj odbacuje, mora se držati podalje od izvora vatre i mora se odstraniti od strane specijalizovane firme za reciklažu sa odgovarajućim kvalifikacijama, a ne spaljivati, kako bi se sprečila šteta za okolinu ili bilo koje drugo oštećenje.
- Ovaj uređaj mogu koristiti deca stara 8 i iznad i osobe sa smanjenim fizičkim, senzornim ili mentalnim sposobnostima ili nedostatkom iskustva i znanja, ako su dobile nadzor ili uputstva u vezi s bezbednim korišćenjem uređaja i razumeju opasnosti uključene. Deca ne smeju da se igraju sa uređajem. Čišćenje i održavanje uređaja ne smeju obavljati deca bez nadzora. Deca uzrasta od 3 do 8 godina mogu puniti i prazniti rashladne uređaje.
- NEOPHODNOST da se, kod vrata ili klopaca opremljenih bravama i ključevima, ključevi čuvaju van domašaja dece i ne u blizini rashladnog uređaja, kako bi se sprečilo zaključavanje dece unutar njega.
- DA biste izbegli kontaminaciju hrane, molimo vas da poštuete sledeće upute:
 - Otvorenje vrata tokom dugih perioda može uzrokovati značajan porast temperature u delovima uređaja.
 - Redovno čistite površine koje mogu doći u kontakt sa hranom i pristupačne odvođe.
 - Čistite rezervoare vode ako se nisu koristili 48 sati; isperite vodovodni sistem povezan sa izvorom vode ako voda nije korišćena 5 dana. (napomena 1)
 - Čuvajte sirovo meso i ribu u odgovarajućim posudama u frižideru, tako da ne dode u kontakt sa drugom hranom ili ne kaplje na nju.
 - Komore za zamrzavanje sa dve zvezdice pogodne su za čuvanje prethodno zamrznute hrane, čuvanje ili pravljenje sladoleda i pravljenje kockica leda. (napomena 2)
 - Komore sa jednom, dve i tri zvezdice nisu pogodne za zamrzavanje sveže hrane. (napomena 3)
 - Za uređaje bez komore sa četiri zvezdice: ovaj rashladni uređaj nije pogodan za zamrzavanje namirnica. (napomena 4)
 - Ako se rashladni uređaj ostavi prazan na duže vreme, isključite ga, odmrznite ga, očistite, osušite i ostavite vrata otvorenim kako biste sprečili razvoj plesni u uređaju.
- Napomena 1, 2, 3, 4: Molimo da potvrdite da li važi prema tipu komore vašeg proizvoda.
- ZA slobodnostojeći uređaj: ovaj rashladni uređaj nije namenjen za ugradnju.
- SVAKA zamena ili održavanje LED sijalica namenjeno je proizvođaču, njegovom servisnom agentu ili slično kvalifikovanoj osobi.
- Ovaj proizvod sadrži izvor svetlosti klase energetske efikasnosti (F).

Značenje simbola za bezbednosna upozorenja



Ovo je simbol zabrane. Svako nepoštovanje uputstava obeleženih ovim simbolom može rezultirati oštećenjem proizvoda ili ugrožavanjem lične bezbednosti korisnika.



Ovo je simbol upozorenja. Potrebno je strogo poštovati upute označene ovim simbolom; inače može doći do oštećenja proizvoda ili povreda osobe.



Ovo je simbol upozorenja. Uputstva označena ovim simbolom zahtevaju poseban oprez. Nedovoljan oprez može rezultirati blagim ili umjerenim povredama ili oštećenjem proizvoda.

Ovo uputstvo sadrži mnogo važnih bezbednosnih informacija koje korisnici moraju da poštuju.

Upozorenja u vezi sa električnom energijom

- Nemojte povlačiti kabl za napajanje kada vučete utikač frižidera. Čvrsto uhvatite utikač i izvucite ga direktno iz utičnice.
- Da biste osigurali bezbednu upotrebu, nemojte oštetiti kabl za napajanje niti koristiti kabl za napajanje ako je oštećen ili istrošen.
- Koristite namensku utičnicu za struju i utičnicu ne smete deliti sa drugim električnim uređajima.
- Utikač za napajanje treba da bude čvrsto u kontaktu sa utičnicom ili u suprotnom može doći do požara.
- Uverite se da je elektroda za uzemljenje utičnice opremljena pouzdanom linijom za uzemljenje.
- Isključite ventil gasa koji curi, a zatim otvorite vrata i prozore u slučaju curenja gasa i drugih zapaljivih gasova. Ne isključujte frižider i druge električne uređaje s obzirom da varnica može izazvati požar.
- Ne koristite električne uređaje na vrhu uređaja, osim ako nisu tipa koje preporučuje proizvođač.

Upozorenja u vezi sa korišćenjem

- Nemojte proizvoljno rastavljati ili rekonstruisati frižider, niti oštetiti rashladni krug; održavanje aparata mora vršiti stručnjak.
- Oštećeni strujni kabl mora zameniti proizvođač, njegovo odeljenje za održavanje ili odgovarajući stručnjaci kako bi se izbegla opasnost.
- Razmaci između vrata frižidera i između vrata i tela frižidera su mali, obratite pažnju da ne stavljate ruke u ove prostore kako biste sprečili stiskanje prsta. Budite nežni prilikom otvaranja vrata frižidera kako biste izbegli padanje predmeta.
- Ne uzimajte hranu ili posude mokrim rukama u zamrzivaču dok frižider radi, posebno metalne posude, kako biste izbegli smrzavanje.
- Ne dozvolite deci da ulaze ili se penju na frižider; inače može doći do gušenja ili pada deteta.
- Ne stavljajte teške predmete na vrh frižidera, s obzirom da se predmeti mogu srušiti prilikom zatvaranja ili otvaranja vrata, i mogući su slučajni povredi.
- Molimo vas da izvadite utikač u slučaju nestanka struje ili čišćenja. Ne povežite zamrzivač sa napajanjem u roku od pet minuta kako biste sprečili oštećenje kompresora zbog uzastopnih startova.

Upozorenja u vezi sa postavljanjem

- Ne stavljajte zapaljive, eksplozivne, lako isparljive i visoko korozivne predmete u frižider kako biste sprečili oštećenje proizvoda ili požare.
- Ne postavljajte zapaljive predmete blizu frižidera kako biste izbegli požare.
- Frižider je namenjen kućnoj upotrebi, poput skladištenja hrane; ne sme se koristiti za druge svrhe, kao što je skladištenje krvi, lekova ili bioloških proizvoda, itd.
- Ne čuvajte pivo, napitke ili druge tečnosti sadržane u bocama ili zatvorenim kontejnerima u zamrzivaču frižidera; inače, boce ili zatvoreni kontejneri mogu puknuti usled smrzavanja.

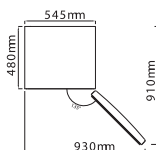
Upozorenja u vezi sa energetsom efikasnošću

1. Frižideri se mogu ponašati nesavršeno (postoji mogućnost da se sadržaj odmrzne ili da temperatura postane previsoka u odeljku za smrznutu hranu) kada su smešteni duže vreme ispod niske granice temperatura za koje je frižider dizajniran.
2. Važno je napomenuti da gazirani napici ne smeju biti skladišteni u prehrambenim odeljcima ili komorama za zamrzavanje hrane, niti u komorama sa niskim temperaturama, i da određeni proizvodi, kao što su voćni ledovi, ne smeju biti konzumirani previše hladni;
3. Potrebno je poštovati preporučeno vreme skladištenja koje su naveli proizvođači hrane za sve vrste namirnica, posebno za komercijalno brzo smrznutu hranu, u prehrambenim odeljcima ili komorama za zamrzavanje hrane;
4. Preduzimanje opreza kako bi se sprečilo prekomerno povećanje temperature smrznute hrane tokom odmrzavanja frižidera, kao što je omotavanje smrznute hrane u nekoliko slojeva novina.
5. Važno je znati da porast temperature smrznute hrane tokom ručnog odmrzavanja, održavanja ili čišćenja može skratiti vreme skladištenja.

ISPRAVNA UPOTREBA FRIŽIDERA

Postavljanje

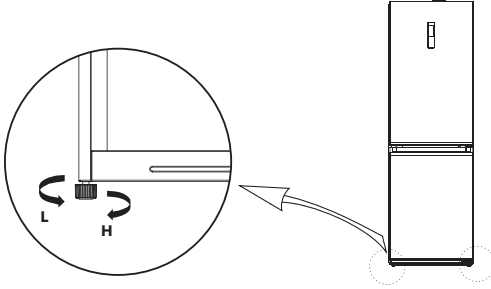
- Pre upotrebe uklonite sav materijal za pakovanje, uključujući donje jastuke, jastučice od pene i trake unutar frižidera; otkinuti zaštitnu foliju na vratima i kućištu frižidera.
- Čuvajte dalje od toplote i izbegavajte direktnu sunčevu svetlost. Ne postavljajte zamrzivač na vlažna ili vodena mesta kako biste sprečili rđu ili smanjenje izolacionog efekta.
- Nemojte prskati ili prati frižider; ne stavljajte frižider na vlažna mesta koja se lako poprskaju vodom kako ne biste uticali na električnu izolaciju frižidera.
- Frižider se postavlja u dobro provetreno zatvoreno mesto; podloga treba da bude ravna i čvrsta (rotirajte levo ili desno da podesite točak za nivelisanje ako je nestabilno).
- Gornji prostor frižidera treba da bude veći od 30 cm, a frižider treba da bude postavljen uza zid sa slobodnim rastojanjem većim od 10 cm kako bi se olakšalo rasipanje toplote.



- Ostavite dovoljno prostora za udobno otvaranje vrata i fioka.

Slika iznad je samo za referencu. Stvarna konfiguracija zavisiće od fizičkog proizvoda ili izjave distributera.

Nivelisanje nožica







Slika iznad je samo za referencu. Stvarna konfiguracija zavisice od fizičkog proizvoda ili izjave distributera.

Procedure podešavanja:

- Okrenite noge u smeru kazaljke na satu da podignete frižider;
- Okrenite noge u smeru suprotnom od kazaljke na satu da biste spustili frižider;
- Podesite desnu i levu nogu na osnovu gornjih procedura na horizontalni nivo.

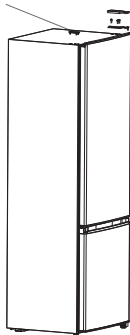
Promena orijentacije vrata sa leve / desne strane

List of tools to be provided by the user			
	Krstasti šrafciğer		Nož za kit šrafciğer sa tankim sečivom
	5/16" utičnica i čegrtaljka		Samolepljiva traka

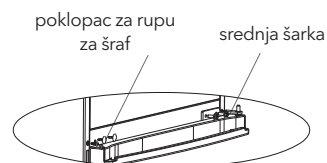
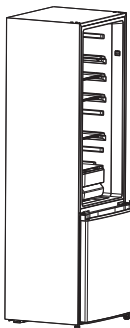
Neophodni delovi da se promeni smer otvaranja vrata			
SN	Deo	Količina	Napomene
1	Desna gornja šarka	1	Unapred instaliran na frižideru, i dalje se koristi kada su vrata okrenuta unazad
2	Gornji vijak šarke	3	Unapred instaliran na frižideru i koristi se prilikom mijenjanja vrata
3	Srednji vijak šarke	2	Unapred instaliran na frižideru i koristi se prilikom mijenjanja vrata
4	Srednja šarka	1	Unapred instaliran na frižideru i koristi se prilikom mijenjanja vrata
5	Čep za rupu	2	Unapred instaliran na frižideru i koristi se prilikom mijenjanja vrata
6	Podesiva noga	1	Unapred instaliran na frižideru i koristi se prilikom mijenjanja vrata
7	Donji vijak šarke	3	Unapred instaliran na frižideru i koristi se prilikom mijenjanja vrata
8	Donji sklop šarke	1	Unapred instaliran na frižideru i koristi se prilikom mijenjanja vrata
9	Donji zavrtanj poklopca vrata za zamrzavanje	1	Unapred instaliran na frižideru i koristi se prilikom mijenjanja vrata
10	Donji poklopac ograničava blok vrata za zamrzavanje	1	Unapred instaliran na frižideru i koristi se prilikom mijenjanja vrata
11	Donji zavrtanj poklopca vrata frižidera	1	Unapred instaliran na frižideru i koristi se prilikom mijenjanja vrata
12	Desni zatvarač vrata frižidera	1	Unapred instaliran na frižideru i koristi se prilikom mijenjanja vrata
13	Levi zatvarač vrata frižidera	1	U priloženoj plastičnoj kesi, izvadite ih za upotrebu kada su vrata okrenuta unazad

1. Isključite napajanje frižidera i uklonite sve predmete sa polica na vratima.
2. Rastavite poklopce za rupe šrafova, šrafove i ručku, i uklonite plastične poklopce rupa za šrafove.

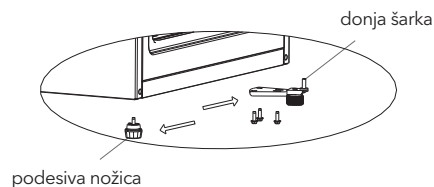
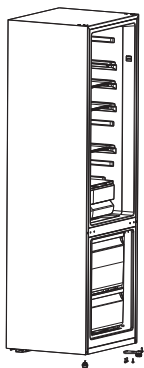
hole cap



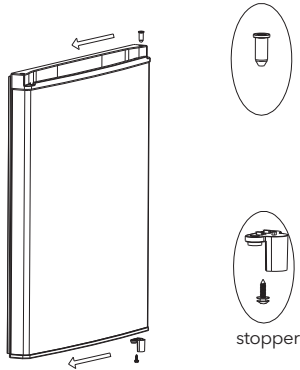
3. Uklonite vrata frižidera, srednju šarku i poklopce rupa za šrafove sa druge strane



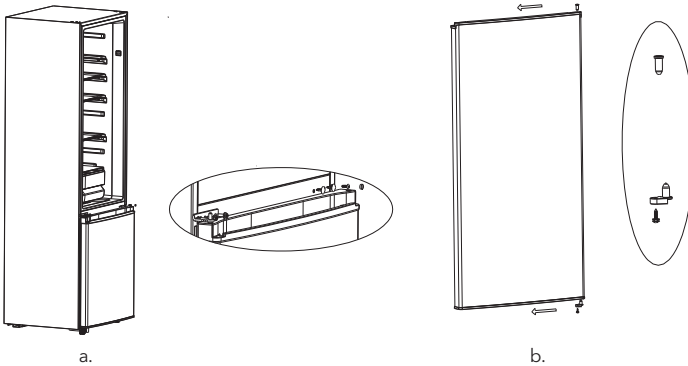
4. Uklonite vrata zamrzivača i demontirajte donju šarku i levu podesivu nogu. Zamenite položaj ugradnje donje šarke i podesive stope i pričvrstite donju šarku šrafovima.



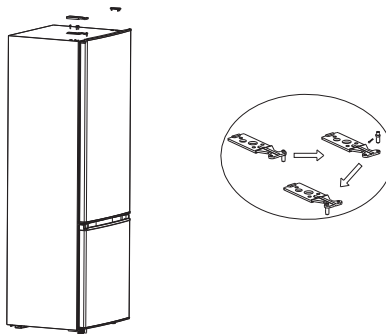
5. Demontirajte graničnik vrata zamrzivača i postavite ga na drugu stranu pomoću šrafa.



6. Postavite vrata zamrzivača na donju šarku, zatim postavite srednju šarku i zavrtnite poklopce za rupe (a). Demontirajte graničnik vrata frižidera i postavite ga na drugu stranu pomoću šrafa (b).



7. Promenite položaj ugradnje osovine gornje šarke kao što je prikazano ispod, zatim stavite vrata frižidera na srednju šarku i pričvrstite gornju šarku zavrtnjima, na kraju da biste instalirali poklopac gornje šarke i poklopac otvora.



Promena svetla

Bilo kakvu zamenu ili održavanje LED lampi treba da izvrši proizvođač, njegov serviser ili slična kvalifikovana osoba.

Početak upotrebe

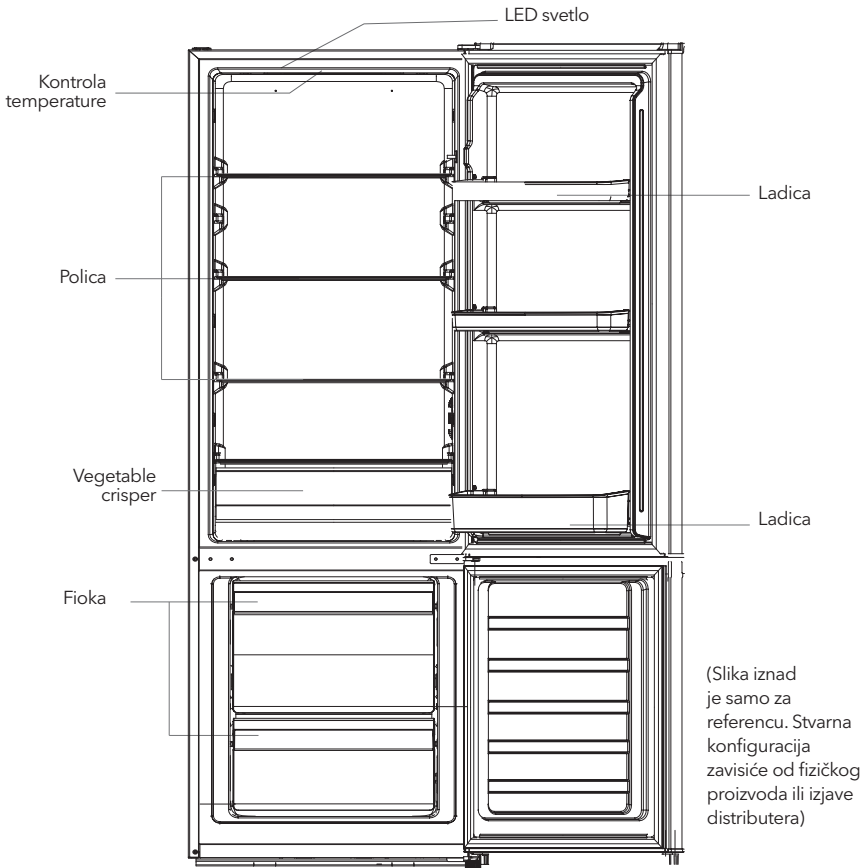
- Nakon transporta, molimo vas da ostavite proizvod da stoji više od 2 sata pre nego što ga uključite, inače će doći do smanjenja kapaciteta hlađenja ili oštećenja proizvoda.
- Pre nego što stavite bilo koje sveže ili smrznute namirnice, frižider treba da radi 2-3 sata, ili više od 4 sata leti kada je temperatura okoline visoka.
- Molimo vas da izvadite utikač u slučaju nestanka struje ili čišćenja. Ne povezujte zamrzivač na napajanje u roku od pet minuta kako biste sprečili oštećenje kompresora usled uzastopnih pokretanja.

Saveti za uštedu energije

- Aparat treba da bude smešten u najhladnijem delu prostorije, dalje od uređaja koji proizvode toplotu ili grejnih kanala, i van direktne sunčeve svetlosti.
- Pustite da se vruća hrana ohladi na sobnu temperaturu pre nego što stavite u uređaj. Preopterećenje uređaja prisiljava kompresor da radi duže. Hrana koja se previše sporo zamrzava može izgubiti kvalitet ili se pokvariti.
- Uverite se da ste pravilno umotali hranu i osušite posude pre nego što ih stavite u uređaj. Ovo smanjuje nakupljanje mraza unutar uređaja.
- Kanta za odlaganje uređaja ne bi trebalo da bude obložena aluminijumskom folijom, voštanim papirom ili papirnim ubrusom. Obloge ometaju cirkulaciju hladnog vazduha, čineći uređaj manje efikasnim.
- Organizujte i označite hranu da biste smanjili otvaranje vrata i produžene pretrage. Uklonite onoliko predmeta koliko je potrebno odjednom i zatvorite vrata što je pre moguće.

STRUKTURA I FUNKCIJE

Glavne komponente



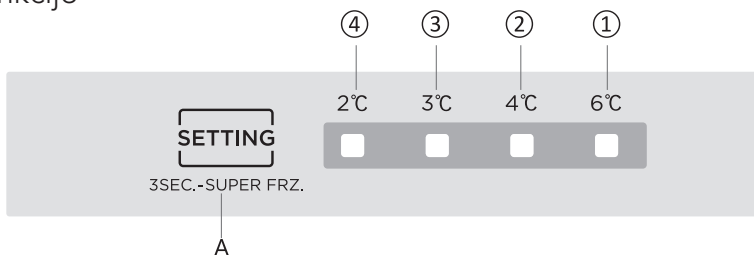
Rashladna komora

- Refrigeratorska komora je pogodna za čuvanje različitih vrsta voća, povrća, napitaka i drugih namirnica koje se konzumiraju u kratkom roku. Predloženo vreme čuvanja je od 3 do 5 dana.
- Hrana koja se kuva ne sme se stavljati u refrigeratorsku komoru dok se potpuno ne ohladi na sobnu temperaturu.
- Predlaže se da se hrana zatvori pre nego što se stavi u frižider.
- Staklene police mogu se podesiti gore ili dole radi optimalnog prostora za čuvanje i lakšeg korišćenja.

Komora za zamrzavanje

- Komora za zamrzavanje niske temperature može očuvati svežinu hrane dugi vremenski period i koristi se uglavnom za čuvanje smrznute hrane i pravljenje leda.
- Komora za zamrzavanje je pogodna za čuvanje mesa, ribe, optica od pirinča i drugih namirnica koje se ne konzumiraju u kratkom roku.
- Komadi mesa bi trebalo da budu razdeljeni na manje komade radi lakšeg pristupa.
Napomena: Hrana treba da se konzumira u roku naznačenom na polici.
- Fioke, kutije za hranu, police, itd. postavljene prema poziciji na slici iznad su najefikasniji energetski.

Funkcije



Slika iznad je samo za referencu. Stvarna konfiguracija zavisice od fizičkog proizvoda ili izjave distributera.

1. Ključ

A. ključ za podešavanje (Dugme za podešavanje temperature u odeljku frižidera)

2. Display ekran

LED ① setting 1: 6°C

LED ② setting 2: 4°C

LED ③ setting 3: 4°C

LED ④ setting 4: 2°C

3. Ekran

Jednom kada se inicijalno uključi, ekran je u punom prikazu 3s. a zatim frižider radi u skladu sa podešavanjem 2 (4°C).

U slučaju kvara, odgovarajuća LED lampica treperi.

In case of no failures, it shows the actual temperature setting of refrigerator.

Kod za grešku Opis greške

LED ① Senzor temperature okoline

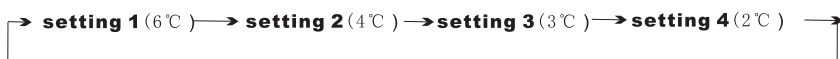
LED ③ Senzor za odmrzavanje frižidera

LED ④ Krug senzora temperature frižidera

4. Podešavanje temperature

Svaki put kada se dugme za podešavanje temperature A pritisne jednom, podešavanje temperature se menja jednom. Nakon što je podešavanje temperature završeno, frižider će raditi prema podešenoj vrednosti nakon 30 sekundi.

Podešavanje smene:

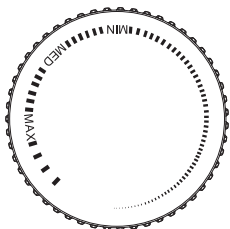


5. Režim super zamrzavanja

Dugi pritisak na taster za podešavanje temperature za 3s, nakon LED ② i LED ③ osvetljenja za 30s, ući će u režim super zamrzavanja.

Dugi pritisak na taster za podešavanje temperature za 3 s može da poništi režim super zamrzavanja.

Temperature control



- Turn the temperature control knob to MAX, the internal temperature of the refrigerator becomes lower.
- Turn the temperature control knob to MIX, the internal temperature of the refrigerator becomes higher.
- Please adjust the temperature between "MAX" and "MIN".

ODRŽAVANJE I NEGA UREĐAJA

Sveukupno čišćenje

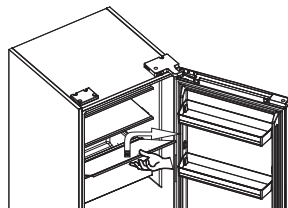
- Prašina iza frižidera i na tlu će se blagovremeno čistiti kako bi se poboljšao efekat hlađenja i ušteda energije.
- Redovno proveravajte zaptivku vrata da biste bili sigurni da nema ostataka. Očistite zaptivku vrata mekom krpom navlaženom vodom sa sapunom ili razblaženim deterdžentom.
- Unutrašnjost frižidera treba redovno čistiti kako bi se izbegli mirisi.
- Isključite struju pre čišćenja unutrašnjosti, uklonite svu hranu, piće, police, fioke itd.
- Unutrašnjost frižidera očistite mekom krpom ili sunderom, sa dve kašike sode bikarbone i litrom tople vode. Zatim isperite vodom i obrišite. Nakon čišćenja, otvorite vrata i pustite da se prirodno osuše pre nego što uključite napajanje.
- Za područja koja se teško čiste u frižideru (kao što su uski sendviči, praznine ili uglovi), preporučuje se redovno brisanje mekom krpom, mekom četkom i sl., a kada je potrebno, u kombinaciji sa nekim pomoćnim alatima (npr. kao tanki štapići) kako bi se osiguralo da u ovim oblastima nema akumulacije загаđivača ili bakterija.
- Nemojte koristiti sapun, deterdžent, prašak za ribanje, sredstvo za čišćenje u spreju itd., jer oni mogu izazvati mirise u unutrašnjosti frižidera ili kontaminiranu hranu.
- Okvir flaše, police i fioke očistite mekom krpom navlaženom vodom sa sapunom ili razblaženim deterdžentom. Osušite mekom krpom ili osušite prirodnim putem.
- Obrišite spoljnu površinu frižidera mekom krpom navlaženom vodom sa sapunom, deterdžentom itd., a zatim obrišite suvom.
- Nemojte koristiti čvrste četke, čiste čelične kuglice, žičane četke, abrazivna sredstva (kao što su paste za zube), organske rastvarače (kao što su alkohol, aceton, ulje banane, itd.), ključalu vodu, kiselinu ili alkalne predmete, koji mogu oštetiti frižider površina i unutrašnjost. Kipuća voda i organski rastvarači kao što je benzol mogu deformisati ili oštetiti plastične delove.
- Nemojte ispirati direktno vodom ili drugim tečnostima tokom čišćenja da biste izbegli kratke spojeve ili uticali na električnu izolaciju nakon potapanja.



Isključite frižider iz struje radi odmravanja i čišćenja.

Čišćenje staklene posude

- Uklonite fioku sa staklene police;
- Podignite prednji deo staklene police (oko 60°), a zatim je izvucite;
- Uklonite staklenu policu i očistite prema potrebi;
- Postupak unazad se primenjuje prilikom postavljanja staklene police.



Odmrzavanje

- Isključite zamrzivač.
- Izvadite hranu iz zamrzivača i stavite je kako biste sprečili topljenje hrane.
- Očistite odvodnu cev (da biste koristili meke materijale kako biste sprečili oštećenje obloge), pripremite posude za vodu za odmravanje. (obratite pažnju da očistite posudu za ispuštanje vode u odeljku kompresora, izbegavajući prelivanje na tlo).
- Možete koristiti prirodnu temperaturu za prirodno odmravanje, takođe možete koristiti lopatu za led da eliminišete mraz (da koristite plastičnu ili drvenu lopatu za led, da biste izbegli oštećenje košuljice ili cevi)
- Takođe možete koristiti odgovarajuću količinu tople vode da biste ubrzali odmravanje, sa svim peškirom da osušite vodu nakon odmravanja.
- Nakon odmravanja, vratite hranu u ormarić i uključite zamrzivač.

Van rada

- Nestanak struje: U slučaju nestanka struje, čak i tokom leta, namirnice u uređaju mogu da se drže nekoliko sati; tokom nestanka struje, vreme otvaranja vrata će se smanjiti i više se ne sme stavljati sveža hrana u uređaj.
- Dugotrajno nekorišćenje: Aparat se mora isključiti iz struje, a zatim očistiti; onda se vrata ostavljaju otvorena kako bi se sprečio miris.
- Premeštanje: Pre premeštanja frižidera, izvadite sve predmete naoplačke, fiksirajte staklene pregrade, držač povrća, fioke komore za zamrzavanje itd. trakom i zategnite nožice za nivelisanje; zatvorite vrata i popravite ih trakom. Tokom pomeranja, uređaj ne sme da bude položen naopako ili horizontalno, niti da bude vibriran; nagib tokom kretanja ne sme biti veći od 45°.



Uređaj će neprekidno raditi nakon što bude pokrenut. Generalno, rad uređaja ne bi trebalo prekidati; inače, to može narušiti životni vek uređaja.

REŠAVANJE PROBLEMA

Možete pokušati sami da rešite sledeće jednostavne probleme.

Ako ih ne možete rešiti, obratite se službi za postprodaju.

Neuspela operacija	Proverite da li je uređaj priključen na struju ili je utikač dobro u kontaktu Proverite da li je napon prenizak Proverite da li je došlo do nestanka struje ili su se iskočila delimična kola
Miris	Hrana sa mirisom mora biti dobro umotana. Proverite da li ima pokvarenih namirnica. Očistite unutrašnjost frižidera
Dugotrajn rad kompresora	Dug rad frižidera je normalan leti kada je temperatura okoline visoka Nije preporučljivo imati previše hrane u uređaju u isto vreme Hrana će se ohladiti pre nego što se stavi u uređaj Vrata se prečesto otvaraju
Svetlost ne uspeva da se upali	Proverite da li je frižider priključen na napajanje i da li je osvetljeno svetlo oštećeno Neka vam svetlo zameni specijalista
Vrata se ne mogu pravilno zatvoriti	Vrata su zaglavljena paketima hrane. Frižider je nagnut
Glasan zvuk	Proverite da li je pod ravan i da li je frižider stabilno postavljen Proverite da li su dodaci postavljeni na odgovarajuća mesta
Zaptivka na vratima nije pričvršćena	Uklonite strane materije sa zaptivke vrata Zagrejte zaptivku vrata, a zatim je ohladite za restauraciju (ili ga duvajte električnim sušačem ili koristite vrući peškir za grejanje)
Posuda za vodu se preliva	U komori je previše hrane ili hrana sadži previše vode, što dovodi do jakog odmrzavanja Vrata nisu dobro zatvorena, što dovodi do smrzavanja usled ulaska vazduha i povećane količine vode usled odmrzavanja
Toplo stanovanje	Odvođenje toplote ugrađenog kondenzatora preko kućišta, što je normalno. Kada se kućište zagreje zbog visoke temperature okoline i skladištenja previše hrane, preporučuje se obezbediti zvučnu ventilaciju kako bi se olakšalo rasipanje toplote

Površinska kondenzacija	Kondenzacija na spoljašnjoj površini i zaptivkama na vratima frižidera je normalna kada je vlažnost okoline previsoka. Samo obrišite kondenzat čistim peškirom.
Abnormalna buka	Zujanje: Kompresor može proizvesti zujanje tokom rada, a zujanje je glasno posebno pri pokretanju ili zaustavljanju. To je normalno. Škripanje: Rashladno sredstvo koje teče unutar uređaja može izazvati škripanje, što je normalno.

Upozorenja za odlaganje



Rashladno sredstvo i ciklopentan koji se peni koji se koristi za frižider su zapaljivi. Stoga, kada se frižider ostruže, treba ga držati dalje od izvora vatre i biti vraćen od strane posebne kompanije za oporavak sa odgovarajućom kvalifikacijom osim da se odlaže sagorevanjem, kako bi se sprečila šteta po životnu sredinu ili bilo koja druga šteta.



Kada je frižider ostrugan, rastavite vrata i uklonite zaptivku vrata i polica; postavite vrata i police na odgovarajuće mesto, kako biste sprečili da se dete zaglavi.



Pravilno odlaganje ovog proizvoda:

Ova oznaka ukazuje da ovaj proizvod ne treba odlagati sa drugim kućnim otpadom širom EU. Da biste sprečili moguću štetu po životnu sredinu ili ljudsko zdravlje usled nekontrolisanog odlaganja otpada, reciklirajte ga odgovorno kako biste promovisali održivu ponovnu upotrebu materijalnih resursa. Da biste vratili korišćeni uređaj, koristite sisteme za vraćanje i prikupljanje ili kontaktirajte prodavca kod koga je proizvod kupljen. Oni mogu odneti ovaj proizvod za recikliranje bezbedno po životnu sredinu.

TESLA

tesla.info

