

TESLA

UPRIGHT FREEZER

RU2700FM
RU2700FMX

User Manual

ENG

FIN

RO

SLO

SRB

SWE



Product images are for illustrative purposes only and may differ from the actual product.

SAFETY WARNINGS

WARNING:



Warning: risk of fire / flammable materials

RECOMMENDATIONS:

- This appliance is intended to be used in household and similar applications such as staff kitchen areas in shops, offices and other working environments; farm houses and by clients in hotels, motels and other residential type environments; bed and breakfast type environments; catering and similar non-retail applications.
 - If the supply cord is damaged, it must be replaced by the manufacturer, its service agent or similarly qualified persons in order to avoid a hazard.
 - Do not store explosive substances such as aerosol cans with a flammable propellant in this appliance.
 - The appliance has to be unplugged after use and before carrying out user maintenance on the appliance.
 - **WARNING:** Keep ventilation openings, in the appliance enclosure or in the built-in structure, clear of obstruction.
 - **WARNING:** Do not use mechanical devices or other means to accelerate the defrosting process, other than those recommended by the manufacturer.
 - **WARNING:** Do not damage the refrigerant circuit.
 - **WARNING:** Do not use electrical appliances inside the food storage compartments of the appliance, unless they are of the type recommended by the manufacturer.
 - **WARNING:** Please abandon the appliance according to local regulators for it use flammable blowing gas and refrigerant.
 - **WARNING:** When positioning the appliance, ensure the supply cord is not trapped or damaged.
 - **WARNING:** Do not locate multiple portable socket-outlets or portable power supplies at the rear of the appliance.
 - Do not use extension cords or ungrounded (two prong) adapters.
 - **DANGER:** Risk of child entrapment. Before you throw away the appliance:
 - Take off the doors.
 - Leave the shelves in place so that children may not easily climb inside.
 - The appliance must be disconnected from the source of electrical supply before attempting the installation of accessory.
 - Refrigerant and cyclopentane foaming material used for the refrigerator are flammable. Therefore, when the refrigerator is scrapped, it shall be kept away from any fire source and be recovered by a special recovering company with corresponding qualification other than be disposed by combustion, so as to prevent damage to the environment or any other harm.
 - For EN standard: This appliance can be used by children aged from 8 years and above and persons with reduced physical sensory or mental capabilities or lack of experience and knowledge if they have been given supervision or instruction concerning use of the appliance in a safe way and understand the hazards involved. Children shall not play with the appliance. Cleaning and user maintenance shall not be made by children without supervision. Children aged from 3 to 8 years are allowed to load and unload refrigerating appliances.
 - For IEC standard: This appliance is not intended for use by persons (including children) with reduced physical, sensory or mental capabilities, or lack of experience and knowledge, unless they have been given supervision or instruction concerning use of the appliance by a person responsible for their safety.)
 - Children should be supervised to ensure that they do not play with the appliance.
 - The instructions shall include the substance of the following: To avoid contamination of food, please respect the following instructions:
 - Opening the door for long periods can cause a significant increase of the temperature in the compartments of the appliance.
 - Clean regularly surfaces that can come in contact with food and accessible drainage systems.
 - Clean water tanks if they have not been used for 48 h; flush the water system connected to a water supply if water has not been drawn for 5 days. (note 1)
 - Store raw meat and fish in suitable containers in the refrigerator, so that it is not in contact with or drip onto other food.
 - Two-star [x x] frozen-food compartments are suitable for storing pre-frozen food, storing or making ice-cream and making ice cubes. (note 2)
 - One [x], two [x x] and three-star [x x x] compartments are not suitable for the freezing of fresh food. (note 3)
 - If the refrigerating appliance is left empty for long periods, switch off, defrost, clean, dry, and leave the door open to prevent mould developing within the appliance.
- Note 1,2,3: Please confirm whether it is applicable according to your product compartment type.

Meaning of safety warning symbols



This is a prohibition symbol. Any incompilance with instructions marked with this symbol may result in damage to the product or endanger the personal safety of the user.



This is a warning symbol. It is required to operate in strict observance of instructions marked with this symbol; or otherwise damage to the product or personal injury may be caused.



This is a cautioning symbol. Instructions marked with this symbol require special caution. Insufficient caution may result in slight or moderate injury, or damage to the product.

This manual contains lots of important safety information which shall be observed by the users.

Electricity related warnings

- Do not pull the power cord when pulling the power plug of the refrigerator. Please firmly grasp the plug and pull out it from the socket directly.
- To ensure safe use, do not damage the power cord or use the power cord when it is damaged or worn.
- Please use a dedicated power socket and the power socket shall not be shared with other electrical appliances.
The power plug should be firmly contacted with the socket or else fires might be caused.
- Please ensure that the grounding electrode of the power socket is equipped with a reliable grounding line.
- Please turn off the valve of the leaking gas and then open the doors and windows in case of leakage of gas and other flammable gases. Do not unplug the refrigerator and other electrical appliances considering that spark may cause a fire.
- Do not use electrical appliances on the top of the appliance, unless they are of the type recommended by the manufacturer.

Warnings for using

- Do not arbitrarily disassemble or reconstruct the refrigerator, nor damage the refrigerant circuit; maintenance of the appliance must be conducted by a specialist.
- Damaged power cord must be replaced by the manufacturer, its maintenance department or related professionals in order to avoid danger.
- The gaps between refrigerator doors and between doors and refrigerator body are small, be noted not to put your hand in these areas to prevent from squeezing the finger. Please be gentle when open the refrigerator door to avoid falling articles.
- Do not pick foods or containers with wet hands in the freezing chamber when the refrigerator is running, especially metal containers in order to avoid frostbite.
- Do not allow any child to get into or climb the refrigerator; otherwise suffocation or falling injury of the child may be caused.
- Do not place heavy objects on the top of the refrigerator considering that objectives may fall when close or open the door, and accidental injuries might be caused.
- Please pull out the plug in case of power failure or cleaning. Do not connect the freezer to power supply within five minutes to prevent damages to the compressor due to successive starts.

Warnings for placement

- Do not put flammable, explosive, volatile and highly corrosive items in the refrigerator to prevent damages to the product or fire accidents.
- Do not place flammable items near the refrigerator to avoid fires.
- The refrigerator is intended for household use, such as storage of foods; it shall not be used for other purposes, such as storage of blood, drugs or biological products, etc.
- Do not store beer, beverage or other fluid contained in bottles or enclosed containers in the freezing chamber of the refrigerator; otherwise the bottles or enclosed containers may crack due to freezing to cause damages.

Warnings for energy

1. Refrigerating appliances might not operate consistently (possibility of defrosting of contents or temperature becoming too warm in the frozen food compartment) when sited for an extended period of time below the cold end of the range of temperatures for which the refrigerating appliance is designed.
2. The fact that effervescent drinks should not be stored in food freezer compartments or cabinets or in low-temperature compartments or cabinets, and that some products such as water ices should not be consumed too cold;
3. The need to not exceed the storage time(s) recommended by the food manufacturers for any kind of food and particularly for commercially quick-frozen food in food-freezer and frozen-food storage compartments or cabinets;
4. The precautions necessary to prevent an undue rise in the temperature of the frozen food while defrosting the refrigerating appliance, such as wrapping the frozen food in several layers of newspaper.
5. The fact that a rise in temperature of the frozen food during manual defrosting, maintenance or cleaning could shorten the storage life.
6. The necessity that, for doors or lids fitted with locks and keys, the keys be kept out of the reach of children and not in the vicinity of the refrigerating appliance, in order to prevent children from being locked inside

Warnings for disposal



Refrigerant and cyclopentane foaming material used for the refrigerator are flammable. Therefore, when the refrigerator is scraped, it shall be kept away from any fire source and \ be recovered by a special recovering company with corresponding qualification other than be disposed by combustion, so as to prevent damage to the environment or any other harm.



When the refrigerator is scraped, disassemble the doors, and remove gasket of door and shelves; put the doors and shelves in a proper place, so as to prevent trapping of any child.



Correct Disposal of this product:

This marking indicates that this product should not be disposed with other household wastes throughout the EU. To prevent possible harm to the environment or human health from uncontrolled waste disposal, recycle it responsibly to promote the sustainable reuse of material resources. To return your used device, please use the return and collection systems or contact the retailer where the product was purchased. They can take this product for environmental safe recycling.

PROPER USE OF REFRIGERATORS

Placement

- Before use, remove all packing materials, including bottom cushions, foam pads and tapes inside of the refrigerator; tear off the protective film on the doors and the refrigerator body.
- Keep away from heat and avoid direct sunlight. Do not place the freezer in moist or watery places to prevent rust or reduction of insulating effect.
- Do not spray or wash the refrigerator; do not put the refrigerator in moist places easy to be splashed with water so as not to affect the electrical insulation properties of the refrigerator.
- The refrigerator is placed in a well-ventilated indoor place; the ground shall be flat, and sturdy (rotate left or right to adjust the wheel for leveling if unstable).
- The top space of the refrigerator shall be greater than 30cm, and The refrigerator should be placed against a wall with a free distance more than 10cm to facilitate heat dissipation.

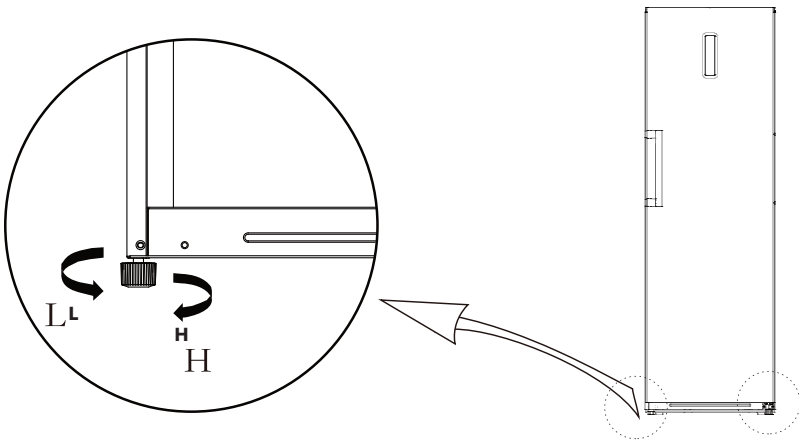
Levelling feet

1. Precautions before operation:

Before operation of accessories, it shall be ensured that the refrigerator is disconnected from power.

Before adjusting the leveling feet, precautions shall be taken to prevent any personal injury.

2. Schematic diagram of the leveling feet



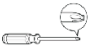



The picture above is only for reference. The actual configuration will depend on the physical product or statement by the distributor.

3. Adjusting procedures:

- Turn the feet clockwise to raise the refrigerator;
- Turn the feet counterclockwise to lower the refrigerator;
- Adjust the right and left feet based on the procedures above to a horizontal level.

Door Right-Left Change

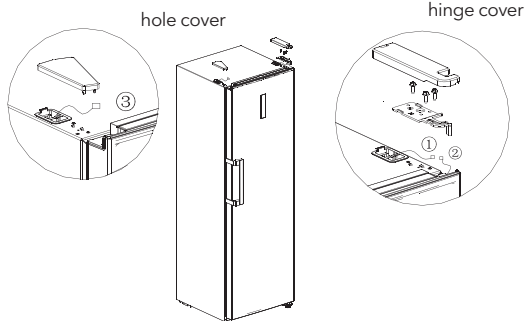
List of tools to be provided by the user

	Cross screwdriver		Putty knife thin-blade screwdriver
	5/16" socket and ratchet		Masking tape

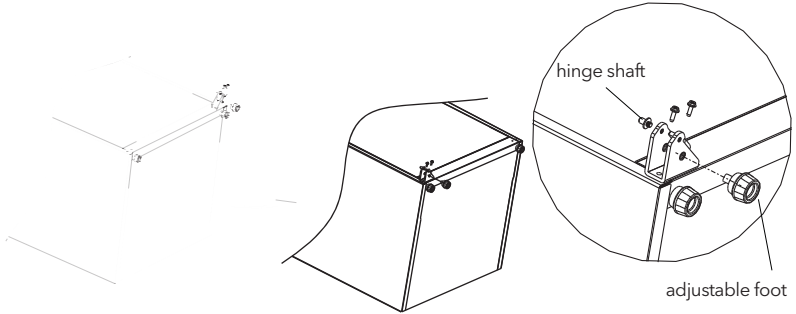
Parts to be used for door reverse

Number	Name	Number	Note
1	Upper hinge axle sleeve	1	Pre-installed on the door, removed when the door, and kept for future use
2	Upper hinge screw	3	Pre-installed on the refrigerator and to be used when changing the door
3	Right upper hinge	1	Pre-installed on the refrigerator, removed when the door is reversed, and kept for future use
4	Right upper hinge cover	1	Pre-installed on the refrigerator, removed when the door is reversed, and kept for future use
5	Hole cover	1	Pre-installed on the refrigerator and to be used when changing the door
6	Cap of cover	1	Pre-installed on the door, removed when the door, and kept for future use
7	Adjustable foot	1	Pre-installed on the refrigerator and to be used when changing the door
8	Stopper Lower hinge	1	Pre-installed on the refrigerator and to be used when changing the door
9	Lower hinge screw	2	Pre-installed on the refrigerator and to be used when changing the door
10	Stopper	1	Pre-installed on the door, removed when the door, and kept for future use
11	Lower hinge axle sleeve	1	Pre-installed on the door, removed when the door, and kept for future use
12	Stopper screw	1	Pre-installed on the door, removed when the door, and kept for future use
13	Left upper hinge	1	In the attached plastic bag, take them out for use when door is reversed
14	Left upper hinge cover	1	In the attached plastic bag, take them out for use when door is reversed

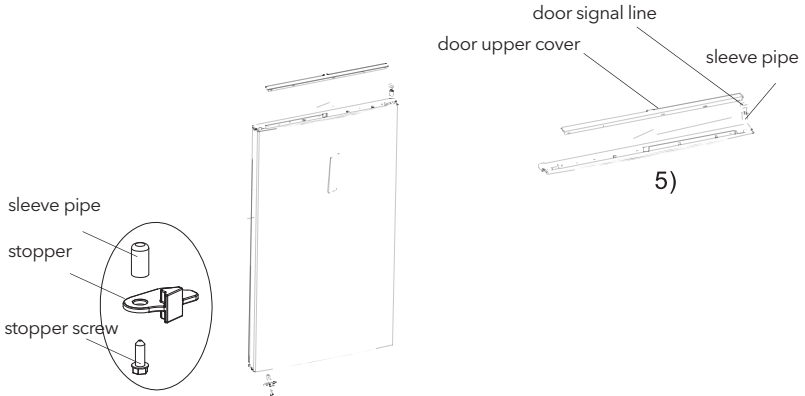
1. Power off the refrigerator, and remove all objects from the door trays.
2. Dismantle the screw hole caps, screws and handle, and remove the plastic screw hole caps from the other side.
3. Dismantle the upper hinge cover, screws and upper hinge, and remove the hole cover from the other side.
Unplug the wiring connector on the right side of refrigerator top (1 ,2 wiring connector)



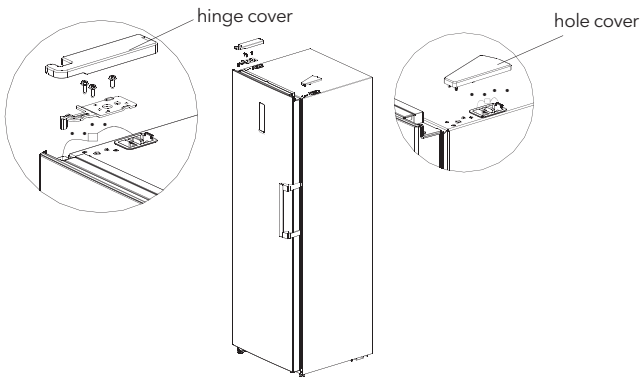
4. Dismantle the door and right bottom hinge assembly(hinge shaft&adjustable foot&hinge), disassemble the right bottom hinge assembly,and assemble the hinge shaft and adjustable foot on the other side of hinge, then assemble the whole hinge assembly on the other side of refrigerator.



5. Remove the door upper cover, install the upper hinge sleeve , door signal line to the other side and install the door upper cover. Remove the stop block and shaft sleeve and install them on the other side of the door body.

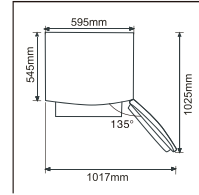


6. Take out the left top hinge , left top hinge cover from accessories package,place the door on bottom hinge , and mount left top hinge. Connect signal line terminal 3 with signal line terminal 2,connect signal line terminal 1 with signal line terminal 4 mount top hinge cover and hole cover.



Starting to use

- Before initial start, keep the refrigerator still for half an hour before connecting it to power supply.
- Before putting any fresh or frozen foods, the refrigerator shall have run for 2-3 hours, or for above 4 hours in summer when the ambient temperature is high.
- Spare enough space for convenient opening of the doors and drawers.
- The picture above is only for reference. The actual configuration will depend on the physical product or statement by the distributor

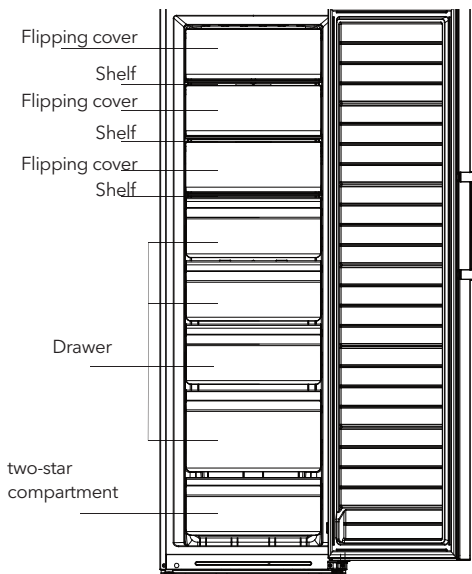


Energy saving tips

- The appliance should be located in the coolest area of the room, away from heat producing appliances or heating ducts, and out of the direct sunlight.
- Let hot foods cool to room temperature before placing in the appliance. Overloading the appliance forces the compressor to run longer. Foods that freeze too slowly may lose quality, or spoil.
- Be sure to wrap foods properly, and wipe containers dry before placing them in the appliance. This cuts down on frost build-up inside the appliance.
- Appliance storage bin should not be lined with aluminum foil, wax paper, or paper toweling. Liners interfere with cold air circulation, making the appliance less efficient.
- Organize and label food to reduce door openings and extended searches. Remove as many items as needed at one time, and close the door as soon as possible.

STRUCTURE AND FUNCTIONS

Key components



The picture above is only for reference. The actual configuration will depend on the physical product or statement by the distributor.

Refrigerator

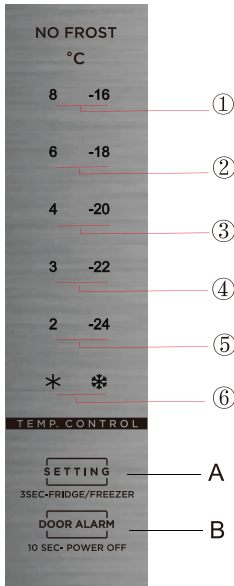
- The Refrigerating Chamber is suitable for storage of a variety of fruits, vegetables, beverages and other food consumed in the short term.
- Cooking foods shall not be put in the refrigerating chamber until cooled to room temperature.
- Foods are recommended to be sealed up before putting into the refrigerator.
- The glass shelves can be adjusted up or down for a proper storage space and easy use.

Freezer

- The low temperature freezing chamber may keep food fresh for a long time and it is mainly used to store frozen foods and making ice.
- The freezing chamber is suitable for storage of meat, fish, rice balls and other foods not to be consumed in short term.
- Chunks of meat are preferably to be divided into small pieces for easy access. Please be noted food shall be consumed within the shelf time.

Note: Storage of too much food during operation after the initial connection to power may adversely affect the freezing effect of the refrigerator. Foods stored shall not block the air outlet; or otherwise the freezing effect will also be adversely affected.

Functions



1. Key

- A. Temperature setting button and Fridge/Freezer switch button
- B. Standby button

2. Temperature icon

1. Setting 1: the setting temperature is 8°C or -16°C
2. Setting 2: the setting temperature is 6°C or -18°C
3. Setting 3: the setting temperature is 4°C or -20°C
4. Setting 4: the setting temperature is 3°C or -22°C
5. Setting 5: the setting temperature is 2°C or -24°C
6. Setting 6: quick cooling or quick freezing

The picture above is only for reference. The actual configuration will depend on the physical product or statement by the distributor.

3. When the fridge power is on:

All temperature icons shine within 3s after power on, for power on at the first time, the default set temperature is -20°C.

After that, every time you start the fridge, it will run in accordance with the set temperature before last power off.

4. Opening warning and alarm control:

There is no door opening prompt tone; there is an open door alarm tone: when the refrigerator door is not closed for two minutes after it is opened, the buzzer will sound until the door is closed. Press the B button to cancel the buzzer alarm, it is recommended to close the door in time.

Display of normal running

On the occurrence of a failure, the corresponding icons will give a combined blink : the error codes and types are shown as follows:

Refrigerator:

Error Code	Error Description	Display
E1	Temperature sensor of Refrigerator room fail	Icon "❄" & Icon "2" shine at same time
E5	Defrosting sensor of Refrigerator room fail	Icon "❄" & Icon "3" shine at same time
E6	Communication error	Icon "2" & Icon "4" shine at same time
E7	Ambient temperature sensor fail	Icon "❄" & Icon "4" shine at same time
E10	Sticking problem with Button	Icon "2" & Icon "3" shine at same time

Freezer:

Error Code	Error Description	Display
E1	Temperature sensor of Freezer room fail	Icon "❄" & Icon "-24" shine at same time
E5	Defrosting sensor of Freezer room fail	Icon "❄" & Icon "-22" shine at same time
E6	Communication error	Icon "-24" & Icon "-20" shine at same time
E7	Ambient temperature sensor fail	Icon "❄" & Icon "-20" shine at same time
E9	High temperature alarm in freezing chamber	Icon "-24" & Icon "-18" shine at same time
E10	Sticking problem with Button	Icon "-24" & Icon "-22" shine at same time

If no failure, the screen displays the setting temperature of the refrigerator room.


Fridge/Freezer conversion

Press the button  for 3 seconds to achieve Fridge/Freezer conversion, the corresponding temperature icons shine.

Standby function


Long press the standby button  for 10 seconds to set the standby function.

Temperature setting

The temperature setting will be changed once you press button(). Then, the refrigerator will run according to the new temperature setting after 15s.



Quick cooling mode

Enter: under refrigerator mode, press the button() until the icon ❄ lightens.
 During quick cooling mode, the refrigerator runs according to the temperatures set at 2°C, and it will exit this mode automatically after running for 150 minutes or temperature setting or mode setting.

Quick freezing mode

Enter: Enter: under freezer mode, press the button() until the icon ❄ lightens.
 During quick freeze mode, the freezer runs according to the temperature set at -24°, (it will exit this mode automatically after running for 24 hours or temperature setting or mode setting).

MAINTENANCE AND CARE OF THE APPLIANCE

Overall cleaning

- Dusts behind the refrigerator and on the ground shall be timely cleaned to improve the cooling effect and energy saving.
- Check the door gasket regularly to make sure there are no debris. Clean the door gasket with a soft cloth dampened with soapy water or diluted detergent.
- The interior of the refrigerator should be cleaned regularly to avoid odor.
- Please turn off the power before cleaning interior, remove all foods, drinks, shelves, drawers, etc.
- Use a soft cloth or sponge to clean the inside of the refrigerator, with two tablespoons of baking soda and a quart of warm water. Then rinse with water and wipe clean. After cleaning, open the door and let it dry naturally before turning on the power.
- For areas that are difficult to clean in the refrigerator (such as narrow sandwiches, gaps or corners), it is recommended to wipe them regularly with a soft rag, soft brush, etc. and when necessary, combined with some auxiliary tools (such as thin sticks) to ensure no contaminants or bacterials accumulation in these areas.
- Do not use soap, detergent, scrub powder, spray cleaner, etc., as these may cause odors in the interior of the refrigerator or contaminated food.
- Clean the bottle frame, shelves and drawers with a soft cloth dampened with soapy water or diluted detergent. Dry with a soft cloth or dry naturally.
- Wipe the outer surface of the refrigerator with a soft cloth dampened with soapy water, detergent, etc., and then wipe dry.
- Do not use hard brushes, clean steel balls, wire brushes, abrasives (such as toothpastes), organic solvents (such as alcohol, acetone, banana oil, etc.), boiling water, acid or alkaline items, which may damage the fridge surface and interior. Boiling water and organic solvents such as benzene may deform or damage plastic parts.
- Do not rinse directly with water or other liquids during cleaning to avoid short circuits or affect electrical insulation after immersion.



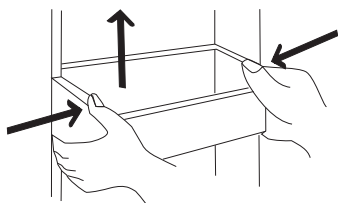
Please unplug the refrigerator for defrost and cleaning.

Cleaning of door tray, Fruits and vegetables box and drawer

- According to the direction arrow in the figure below, use both hands to squeeze the tray, and push it upward, then you can take it out.
- After washing the tray having been taken out, you can adjust its installing height in accordance with your requirement.

Soft towels or sponge dipped in water and non-corrosive neutral detergents are suggested for cleaning. The freezer of shall be finally cleaned with clean water and dry cloth. Open the door for natural drying before the power is turned on.

Do not use hard brushes, clean steel balls, wire brushes, abrasives, such as toothpastes, organic solvents (such as alcohol, acetone, banana oil, etc.), boiling water, acid or alkaline items clean refrigerator considering that this may damage the fridge surface and interior.



The picture above is only for reference. The actual configuration will depend on the physical product or statement by the distributor.

Cleaning of Glass shelf

- As the innermost part of the refrigerator liner where contacting the shelves has a backstop, you shall raise the shelves upward, then you can be able to take it out.
- Adjust or clean the shelves according to your requirement.
Soft towels or sponge dipped in water and non-corrosive neutral detergents are suggested for cleaning. The freezer of shall be finally cleaned with clean water and dry cloth. Open the door for natural drying before the power is turned on.
Do not use hard brushes, clean steel balls, wire brushes, abrasives, such as toothpastes, organic solvents (such as alcohol, acetone, banana oil, etc.), boiling water, acid or alkaline items clean refrigerator considering that this may damage the fridge surface and interior.

Defrosting

- The refrigerator is made based on the air-cooling principle and thus has automatic defrosting function. Frost formed due to change of season or temperature may also be manually removed by disconnection of the appliance from power supply or by wiping with a dry towel.

Out of operation

- Power failure: In case of power failure, even if it is in summer, foods inside the appliance can be kept for several hours; during the power failure, the times of door opening shall be reduced, and no more fresh food shall be put into the appliance.
- Long-time nonuse: The appliance shall be unplugged and then cleaned; then the doors are left open to prevent odor.
- Moving: Before the refrigerator is moved, take all objects inside out, fix the glass partitions, vegetable holder, freezing chamber drawers and etc. with tape, and tighten the leveling feet; close the doors and fix them with tape. During moving, the appliance shall not be laid upside down or horizontally, or be vibrated; the inclination during movement shall be no more than 45°.



The appliance shall run continuously once it is started. Generally, the operation of the appliance shall not be interrupted; otherwise the service life may be impaired.

TROUBLESHOOTING

You may try to solve the following simple problems by yourself.
If them cannot be solved, please contact the after-sales department.

Failed operation	<p>Check whether the appliance is connected to power or whether the plug is in well contact</p> <p>Check whether the voltage is too low</p> <p>Check whether there is a power failure or partial circuits have tripped</p>
Odor	<p>Odorous foods shall be tightly wrapped</p> <p>Check whether there is any rotten food</p> <p>Clean the inside of the refrigerator</p>
Long-time operation of the compressor	<p>Long operation of the refrigerator is normal in summer when the ambient temperature is high</p> <p>It is not suggestible having too much food in the appliance at the same time</p> <p>Food shall get cool before being put into the appliance</p> <p>The doors are opened too frequently</p>
Light fails to get lit	<p>Check whether the refrigerator is connected to power supply and whether the illuminating light is damaged</p> <p>Have the light replaced by a specialist</p>
Doors cannot be properly closed	<p>The door is stuck by food packages</p> <p>The refrigerator is tilted</p>
Loud noise	<p>Check whether the floor is level and whether the refrigerator is placed stably</p> <p>Check whether accessories are placed at proper locations</p>
Door seal fails to be tight	<p>Remove foreign matters on the door seal</p> <p>Heat the door seal and then cool it for restoration (or blow it with an electrical drier or use a hot towel for heating)</p>
Water pan overflows	<p>There is too much food in the chamber or food stored contains too much water, resulting in heavy defrosting</p> <p>The doors are not closed properly, resulting in frosting due to entry of air and increased water due to defrosting</p>
Hot housing	<p>Heat dissipation of the built-in condenser via the housing, which is normal.</p> <p>When housing becomes hot due to high ambient temperature and storage of too much food, it is recommended to provide sound ventilation to facilitate heat dissipation.</p>
Surface condensation	<p>Condensation on the exterior surface and door seals of the refrigerator is normal when the ambient humidity is too high. Just wipe the condensate with a clean towel.</p>
Abnormal noise	<p>Buzz: The compressor may produce buzzes during operation, and the buzzes: are loud particularly upon start or stop. This is normal.</p> <p>Creak: Refrigerant flowing inside of the appliance may produce creak, which is normal.</p>

Product Information Sheet

COMMISSION DELEGATED REGULATION (EU) 2019/2016 with regard to energy labelling of refrigerating appliances

Supplier's name or trade mark: Tesla

Supplier's address: Tesla Electronics, Litijaska 47, 1000 Ljubljana, SI

Model identifier: RU2700FM

Type of refrigerating appliance:

Low-noise appliance:	No	Design type:	freestanding
Wine storage appliance:	No	Other refrigerating appliance:	Yes

General product parameters:

Parameter	Value	Parameter	Value	
Overall dimensions (millimetre)	Height	1 850	Total volume (dm ³ or l)	273
	Width	595		
	Depth	618		
EEL	100	Energy efficiency class	E	
Airborne acoustical noise emissions (dB(A) re 1 pW)	41	Airborne acoustical noise emission class	C	
Annual energy consumption (kWh/a)	245	Climate class:	extended temperate, temperate, subtropical, tropical	
Minimum ambient temperature (°C), for which the refrigerating appliance is suitable	10	Maximum ambient temperature (°C), for which the refrigerating appliance is suitable	43	
Winter setting	No			

Compartment Parameters:

Compartment parameters and values				
Compartment type	Compartment Volume (dm ³ or l)	Recommended temperature setting for optimised food storage (°C)	Freezing capacity (kg/24h)	Defrosting type (auto-defrost=A, manual defrost=M)
		These settings shall not contradict the storage conditions set out in Annex IV, Table 3		

Pantry	No	-	-	-	-
Wine storage	No	-	-	-	-
Cellar	No	-	-	-	-
Fresh food	No	-	-	-	-
Chill	No	-	-	-	-
0-star or ice-making	No	-	-	-	-
1-star	No	-	-	-	-
2-star	No	-	-	-	-
3-star	No	-	-	-	-
4-star	No	-	-	-	-
2-star section	No	-	-	-	-
Variable temperature compartment	4-star	259,0	-	12,4	A
Variable temperature compartment	4-star	14,0	-	-	A
For 4-star compartments					
Fast freeze facility			Yes		
Light source parameters:					
Type of light source			-		
Energy efficiency class			-		
Minimum duration of the guarantee offered by the manufacturer: 24 months					
Additional information:					
Weblink to the supplier's website, where the information in point 4 of Annex II of Commission Regulation (EU) 2019/2019 is found: tesla.info					

EU DECLARATION OF CONFORMITY

Manufacturer business name: TESLA/COMTRADE DISTRIBUTION D.O.O. BEOGRAD

Manufacturer address: BULEVAR ZORANA ĐINĐIĆA 125i, 11000 BEOGRAD

WE, MANUFACTURER OF BELOW DESCRIBED PRODUCTS, HEREBY DECLARE UNDER OUR SOLE RESPONSIBILITY, THAT THE PRODUCTS TO WHICH THIS DECLARATION RELATES:

product description:

Brand	Model	Type of products
TESLA	RU2700FM	Freezer

ARE IN CONFORMITY WITH THE FOLLOWING STANDARDS AND LEGISLATIVE ACTS:

Harmonised standard	Legislative act
EN IEC 55014-1:2017+A11 EN IEC 55014-2:2015 EN IEC 61000-3-2:2019 EN 61000-3-3:2013+A1	<i>Electromagnetic Compatibility (EMC)</i> 2014/30/EU
IEC 60335-2-24:2010,AMD 1:2012,AMD 2:2017 in conjunction with IEC 60335-1:2010, COR1:2010,COR2:2010,AMD1:2013,COR1:2014,AMD 2:2016,COR1:2016	<i>Low Voltage Directive (LVD)</i> 2014/35/EU

Place and date of issue: Belgrade, 01.07.2023.

Signed for and on behalf of manufacturer:

(Signature and stamp)

Name of authorised person: Nebojša Lozo
 Function of authorised person: General manager

TURVALLISUUSVAROITUKSET

VAROITUS:



Varoitus: palovaara / syttyvä materiaali

SUOSITUKSET:

- Tämä laite on tarkoitettu käytettäväksi kotitalouksissa ja vastaavissa ovelluksissa, kuten henkilökunnan keittiöalueilla kaupoissa, toimistoissa ja muissa työympäristöissä; maatiloissa ja asiakkaiden toimesta hotelleissa, motelleissa tai muissa asuinympäristöissä ympäristöissä; makuuhuoneen ja aamiaisen tyyppiset ympäristöt; catering ja vastaavat muut kuin vähittäiskaupan sovellukset.
- Jos syöttökaapeli on vaurioitunut, sen on vaihdettava valmistajan, sen huoltovirkailijan tai vastaavalla tavalla pätevän henkilön toimesta vaaran välttämiseksi.
- Älä säilytä räjähtäviä aineita, kuten aerosoliastioita, joissa on syttyvä moottori tässä laitteessa.
- Laitte on irrotettava käytön jälkeen ja ennen laitteen käyttäjän huoltoa.
- VAROITUS:** Pidä ilmanvaihtoaukot laitteen sisällä tai sisäänrakennetussa rakenteessa esteettöminä.
- VAROITUS:** Älä käytä mekaanisia laitteita tai muita keinoja jäädyttämisen nopeuttamiseksi muut kuin valmistajan suosittelemat menetelmät.
- VAROITUS:** Älä vahingoita jäähdytysjärjestelmää.
- VAROITUS:** Älä käytä sähkölaitteita laitteen elintarvikkevarastojen sisällä, ellei ne ole valmistajan suosittelemia.
- VAROITUS:** Jätä laite paikallisten sääntelyviranomaisten mukaan, koska siinä käytetään syttyviä tuuletuskaasuja ja jäähdytysnestettä.
- VAROITUS:** Kun asennat laitteen, varmista, että syöttökaapeli ei ole jumissa tai vaurioitunut.
- VAROITUS:** Älä aseta useita kannettavia pistorasioita tai kannettavaa virtalähteitä laitteen takaosaan.
- Älä käytä laajennuskaapeleita tai maadoittamattomia (kaksi piikkiä) sovitimia.
- VAARA:** Lapsen loukkaantumisen riski. Ennen kuin heität laitteen pois: Ota ovet pois.
- Jätä hyllyt paikoilleen, jotta lapset eivät pääse helposti sisään.
- Laitte on irrotettava virtalähteestä ennen lisälaitteen asennusta.
- Jäähdytys- ja syklopentaanivaahdot materiaali, jota käytetään jääkaapissa, ovat syttyviä. Kun jääkaappi hävitetään, se on säilytettävä kaukana tulipalon lähteestä ja sen on palautettava erityisellä talteenottoyhtiöllä, jolla on vastaava pätevyys, joka

ei ole hävittäminen polttamalla, jotta vältetään ympäristövahinko tai muu vahinko.

- EN-standardi: Tätä laitetta voivat käyttää yli 8-vuotiaat lapset ja henkilöt, joilla on heikentynyt fyysinen aisti- tai mielenterveys kyvyt tai kokemuksen ja tietämyksen puute, jos heille on annettu valvontaa tai ohjeita laitteen turvallisesta käytöstä ja he ymmärtävät siihen liittyvät vaarat. Lapset eivät saa leikkiä laitteen kanssa. Puhdistusta ja huoltoa ei saa tehdä ilman lasten valvontaa. 3-8-vuotiaat lapset saavat ladata ja purkaa jääkaappia.
- Tämä laite ei ole tarkoitettu sellaisten henkilöiden (myös lasten) käyttöön, joilla on heikentynyt fyysinen, aisti- tai henkinen kyky tai kokemuksen ja tietämyksen puute, ellei heille ole annettu valvontaa tai ohjeita laitteen käytöstä heidän turvallisuudestaan vastaavan henkilön toimesta.
- Lapsia on valvottava sen varmistamiseksi, että he eivät leiki laitteen kanssa.
 - Ohjeiden tulee sisältää seuraavat aineet: Elintarvikkeiden saastumisen välttämiseksi noudata seuraavia ohjeita:
 - Oven avaaminen pitkään voi aiheuttaa merkittävän lämpötilan nousun laitteen tiloissa.
 - Puhdista säännöllisesti pinnat, jotka voivat joutua kosketuksiin elintarvikkeiden kanssa ja helposti saatavilla olevat viemärintyjärjestelmät.
 - Puhdista vesisäiliöt, jos niitä ei ole käytetty 48 tuntia; huuhtelee vesijärjestelmä, joka on liitetty vesihuoltoon, jos vettä ei ole vedetty 5 päivän ajan. (note 1)
 - Säilytä raakaa lihaa ja kalaa asianmukaisissa säiliöissä jääkaapissa, jotta se ei joudu kosketuksiin muiden elintarvikkeiden kanssa
 - Kaksi tähteä jäähdytettyjen elintarvikkeiden tilat soveltuvat ennalta jäähdytetyn ruoan säilyttämiseen, jäätelön varastointiin tai valmistukseen sekä jääkiekkojen valmistukseen. (note 2)
 - Yksi , kaksi ja kolme-tähteä compartments are not suitable for the freezing of fresh food. (note 3)
 - Jos jääkaappi on jätetty tyhjäksi pitkään aikaan, sammuta, irrota, puhdista, kuivaa ja jätä ovi auki estämään muotin kehittymistä laitteen sisällä.

Huomautus 1,2,3: Varmista, että se on sovellettavissa tuotteen tilatyypin mukaa.

Turvallisuusvaroitusymbolien merkitys



Se on kiellon symboli. Tämän symbolin merkittyjen ohjeiden noudattamatta jättäminen voi aiheuttaa tuotteen vaurioitumista tai vaarantaa käyttäjän henkilökohtaisen turvallisuuden.



Tämä on varoitusmerkki. Se on velvollinen toimimaan tiukasti noudattaen ohjeita, jotka on merkitty tällä symbolilla; tai muutoin vahinkoa tuotteeseen tai henkilövahinko voi aiheutua.



Tämä on varoitusmerkki. Ohjeet, jotka on merkitty tällä symbolilla, vaativat erityistä varovaisuutta Riittämätön varovaisuus voi aiheuttaa lieviä tai kohtalaisia vammoja tai vahingoittaa tuotetta.

Tämä käsikirja sisältää monia tärkeitä turvallisuustietoja, joita käyttäjän on noudatettava.

Sähköön liittyvät varoitukset

- Älä vedä virtajohtoa, kun vedät jääkaapin virtalähteen. Ota kytkin tiukasti kiinni ja vedä se suoraan ulos kytkimestä.
- Turvallisen käytön varmistamiseksi älä vahingoita virtajohtoa tai käytä virtalähteä, kun se on vaurioitunut tai kulunut.
- Käytä erityistä virtalähteä, eikä sitä saa jakaa muiden sähkölaitteiden kanssa.
- Virtalähteen on oltava tiukassa kosketuksessa pistorasian kanssa, muuten tulipalot voivat aiheutua.
- Varmista, että virtalähteen maadoituselektrodi on varustettu luotettavalla maadoituksen linjalla.
- Sammuta vuotavan kaasun venttiili ja avaa sitten ovet ja ikkunat kaasun ja muiden syttyvien kaasujen vuotamisen yhteydessä. Älä irrota jääkaappia tai muita sähkölaitteita, koska kipinä voi aiheuttaa tulipalon.
- Älä käytä laitteen yläosassa sähkölaitteita, paitsi jos ne ovat valmistajan suosittelema.

Varoitukset käytöstä

- Älä irrota tai uudelleenrakenna jääkaappia mielivaltaisesti, äläkä vahingoita jäähdytysnesteen piiriä; laitteen huolto on suoritettava asiantuntijan toimesta.
- Vaurioitunut virtajohto on vaihdettava valmistajan, sen huolto-osaston tai siihen liittyvien ammattilaisten toimesta vaaran välttämiseksi.
- Jääkaapin ovien sekä ovien ja jääkaapin rungon väliset aukot ovat pieniä, huomaa, ettei laita kättä näihin alueisiin estääksesi sormen puristamista. Ole varovainen, kun avaat jääkaapin oven, jotta tuotteet eivät putoa.
- Älä poimi elintarvikkeita tai säiliöitä mairillä käsillä pakastimessa, kun jääkaappi on käynnissä, erityisesti metallisäiliöitä, jotta vältetään pakkaspurkaukset.
- Älä anna lapsen päästä tai kiivetä jääkaappiin; muutoin lapsen tukehtuminen tai putoaminen voi aiheuttaa vammoja.
- Älä aseta raskaita esineitä jääkaapin yläosaan ottaen huomioon, että linssit voivat pudota, kun ovi suljetaan tai avataan, ja vahingossa voi aiheutua vammoja.
- Poista kytkin virtalähteestä virrankatkoksen tai puhdistuksen sattuessa. Älä kytkä pakastinta virtalähteeseen viiden minuutin kuluessa, jotta kompressori ei vahingoitu peräkkäisten käynnistysten vuoksi.

Varoitus sijoittamisesta

- Älä laita syttyviä, räjähtäviä, haihtuvia ja erittäin syövyttäviä esineitä jääkaappiin tuotteen vahingoittumisen tai tulipalon estämiseksi.
- Älä aseta syttyviä esineitä jääkaapin lähelle tulipalojen välttämiseksi.
- Jääkaappi on tarkoitettu kotitalouskäyttöön, kuten elintarvikkeiden varastointiin; sitä ei saa käyttää muihin tarkoituksiin, kuten veren, lääkkeiden tai biologisten tuotteiden säilytykseen jne.
- Älä säilytä pulloissa tai suljetuissa säiliöissä olevaa olutta, juomaa tai muuta nestettä jääkaapin pakastimessa; muutoin pullojen ja suljettujen säiliöiden purkautuminen voi aiheuttaa vaurioita.

Varoitukset energiasta

1. Jäähdytyslaitteet eivät välttämättä toimi johdonmukaisesti (sisällön jäädyttämisen mahdollisuus tai lämpötila, joka jäädytetyssä elintarvikehuoneistossa muuttuu liian kuumaksi), jos ne istuvat pitkään lämpötilan alapuolella, joka on jäähdytyslämpötila-alueen kylmä.
2. Faktaa, että kuohuviiniä ei pidä säilyttää elintarvikkeiden pakastimissa tai kaapissa tai matalassa lämpötilassa ja että joitakin tuotteita, kuten vesijäätelöä, ei pitäisi kuluttaa liian kylmänä;
3. Elintarvikkeiden tuottajien suosittelemia säilytysaikoja ja erityisesti kaupallisesti pakastettujen pikaruokien varastointiaikoja tai kaappeja ei saa ylittää;
4. Varoitimet, jotka ovat välttämättömiä jäädytetyn ruoan lämpötilan kohtuuttoman nousun estämiseksi jäädytyslaitteen purkamisen aikana, kuten pakastettujen elintarvikkeiden käärittäminen useisiin sanomalehtikerroksiin.
5. Jäädytetyn ruoan lämpötilan nousu manuaalisen pakastamisen, huollon tai puhdistuksen aikana voi lyhentää säilytysaikaa.
6. Tarve, että lukkoilla ja avaimilla varustettujen ovien tai kannen avaimet on pidettävä lasten ulottumattomissa eikä jäädytyslaitteen läheisyydessä, jotta lapset eivät joudu lukkoon.

Varoitus hävittämisestä



Jäähdytys- ja syklopentaanivaahdomateriaali, jota käytetään jääkaapissa, ovat syttyviä. Siksi, kun jääkaappi on kaapattu, se on pidettävä poissa mistä tahansa tulen lähteestä ja \ on palautettava sellaisen erityisen talteenottoyhtiön toimesta, jolla on vastaava pätevyys, joka ei liity polttamiseen, jotta vältetään ympäristövahinko tai muu vahinko.



Kun jääkaappi on irrotettu, irrota ovet, poista ovet ja hyllyt, aseta ovet tai hylly sopivaan paikkaan, jotta lapset eivät joudu loukkuun.



Tämän tuotteen oikea hävittäminen:

Tämä merkintä osoittaa, että tätä tuotetta ei saa hävittää muiden kotitalousjätteen kanssa kaikkialla EU:ssa. Jotta voitaisiin estää mahdolliset haitat ympäristölle tai ihmisten terveydelle hallitsemattomasta jätteiden hävittämisestä, kierrättää se vastuullisesti edistääkseen aineellisten resurssien kestävää uudelleenkäyttöä. Voit palauttaa käytetyn laitteen käyttämällä palautus- ja keruujärjestelmiä tai ottamalla yhteyttä jälleenmyyjään, jossa tuote on ostettu. He voivat käyttää tätä tuotetta ympäristöystävälliseen kierrätykseen.

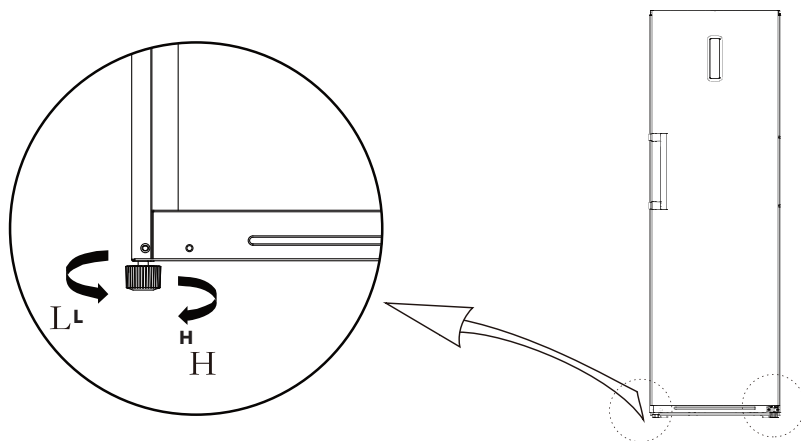
JÄÄKAAPPIEN OIKEA KÄYTTÖ

Sijainti

- Ennen käyttöä poista kaikki pakkausmateriaalit, mukaan lukien pohjapussit, vaahdonmuovipussit ja nauha jääkaapin sisällä; irrota suojaava kalvo ovista ja jääkaapissa.
- Pidä kaukana lämmöstä ja vältä suoraa auringonvaloa. Älä aseta pakastinta kosteisiin tai vedellisiin paikkoihin ruosteen estämiseksi tai eristysvaikutuksen vähentämiseksi.
- Älä suihkuta tai pese jääkaappia; älä aseta jääkaappi kosteisiin paikkoihin, joita on helppo ruiskuttaa vedellä, jotta se ei vaikuta jääkaapin sähköeristysominaisuuksiin.
- Jääkaappi on sijoitettava hyvin tuuletettuun sisäiseen paikkaan; maaperän on oltava tasainen ja kiinteä (rotate left or right to adjust the wheel for leveling if unstable).
- Jääkaapin yläosan on oltava yli 30 cm, ja jääkaappi on sijoitettava seinää vasten yli 10 cm:n vapaalla etäisyydellä lämmön hajottamisen helpottamiseksi.

Jalkojen tasoittaminen

1. Varotoimet ennen käyttöä: Ennen lisävarusteiden käyttöä on varmistettava, että jääkaappi on katkaistu virtalähteestä. Ennen jalkojen tasoittamista on ryhdyttävä varotoimiin henkilökohtaisten vammojen estämiseksi.
2. Schemaattinen kaavio tasoittavat jalat







Yllä oleva kuva on vain viitteenä. Todellinen kokoonpano riippuu fyysisestä tuotteesta tai jakelijan ilmoituksesta.

3. Menettelyjen mukauttaminen:

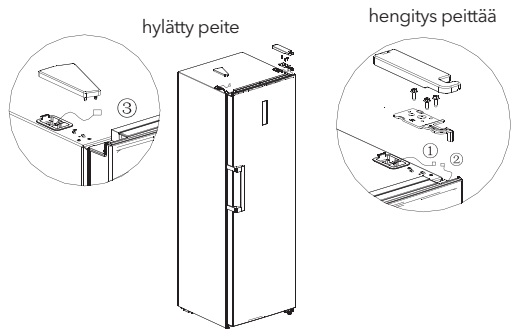
- a. Käänä jalat kellon ympäri nostamaan jääkaappia;
- b. Käänä jalat kelloa vasten jääkaapin laskemiseksi;
- c. Säädä oikea ja vasen jalka yllä olevien menettelyjen perusteella vaakasuuntaiselle tasolle.

Vasemmanpuoleinen muutos

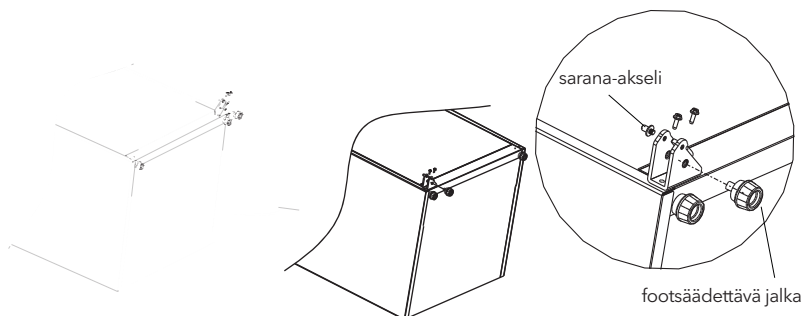
Luettelo käyttäjän tarjoamista työkaluista			
	Ristiriitainen kääpiö		Putty veitsi thin-blade
	5/16" socket ja ratchet		Maskeerauslevy

Osien, joita käytetään ovien kääntämiseen			
Määrä	Nimeä	Määrä	Huomautus
1	Yläosat Axle Sleeve	1	Ennakoasennettu ovele, poistettu, kun ovi, ja säilytetään tulevaa käyttöä varten
2	Yläkerroksi nen huivi	3	Ennakoasennettu jääkaappiin ja käytettävä ovet vaihdettaessa
3	Oikea ylemmäinen hinge	1	Ennakoasennettu jääkaappiin, poistettu, kun ovi käännetään ja säilytetty tulevaa käyttöä varten
4	Oikeanpuoleinen huippu peittää	1	Ennakoasennettu jääkaappiin, poistettu, kun ovi käännetään ja säilytetty tulevaa käyttöä varten
5	Hullun peitto	1	Ennakoasennettu jääkaappiin ja käytettävä ovet vaihdettaessa
6	Päällystys Cover	1	Ennakoasennettu ovele, poistettu, kun ovi, ja säilytetään tulevaa käyttöä varten
7	Säädettävä jalka	1	Ennakoasennettu jääkaappiin ja käytettävä ovet vaihdettaessa
8	Pysäytä alempi hinge	1	Ennakoasennettu jääkaappiin ja käytettävä ovet vaihdettaessa
9	Lower hinge ruuvi	2	Ennakoasennettu jääkaappiin ja käytettävä ovet vaihdettaessa
10	Pysäytä	1	Ennakoasennettu ovele, poistettu, kun ovi, ja säilytetään tulevaa käyttöä varten
11	Lower hinge axle kädensija	1	Ennakoasennettu ovele, poistettu, kun ovi, ja säilytetään tulevaa käyttöä varten
12	Pysäytä ruuvi	1	Ennakoasennettu ovele, poistettu, kun ovi, ja säilytetään tulevaa käyttöä varten
13	Vasemmanpuoleinen ylhäältä	1	Liitetyssä muovipussissa, poista ne käytettäväksi, kun ovi käännetään
14	Vasemmanpuoleinen ylemmäinen peite	1	Liitetyssä muovipussissa, poista ne käytettäväksi, kun ovi käännetään

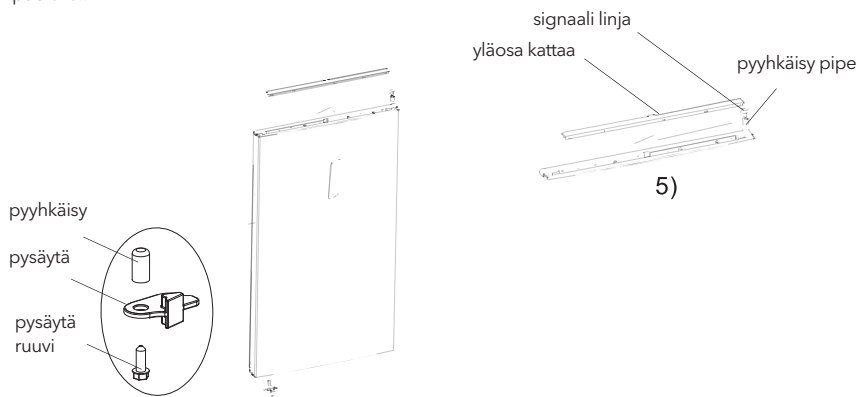
- Lataa jääkaappi ja poista kaikki esineet ovealta.
- Poista ruuvin reiän korkit, ruuvit ja kädensijat ja poista muovin reiä korkit toiselta puolelta.
- Irrota ylemmän liuskekattilan kansi, ruuvit ja ylemmäinen liuskekaari ja poista reiän kansi toiselta puolelta. irrota johdinliitäntä jääkaappin oikealla puolella (1 ,2 wiring connector)



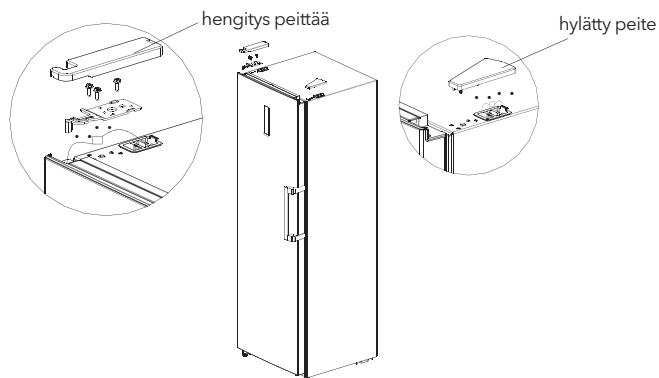
4. Irrota ovi ja oikea pohja hinge kokoonpano (hinge akselia & säädettävä jalka & hinge), irrota oikea alareuna kokoonpanon, ja koota hinge akseli ja säädettävissä jalka toisella puolella hinge, sitten koota koko hinge assembly toiselle puolelle jääkaappi



5. Poista oven yläpäällyste, asenna ylimmäinen ripustuskyppä, ovi-signaali-linja toiselle puolelle ja asenna oven ylemmäinen päällyste. Poista pysähdyspaikka ja akselin kahva ja asenna ne oven rungon toiselle puolelle..

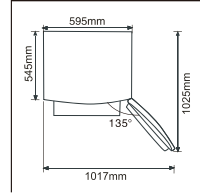


6. Poista vasen ylähuivi, vasemman ylähuivin kansi lisävarustepakkauksesta, aseta ovi pohjahuiviin ja asenna vasen ylimmäinen huivi. Liitä signaalilinjan terminaali 3 signaaliivian terminaaliin 2, liitä signaalilinjan terminaaliin 1 signaalien terminaaliin 4 kiinnityspinnan yläosaan ja reiän peittoon.



Aloita käyttämällä

- Pidä jääkaappi tyhjänä puoli tuntia ennen kuin kytket sen virtalähteeseen.
- Ennen tuoreiden tai jäädytettyjen elintarvikkeiden asettamista jääkaappiin on oltava käynnissä 2-3 tuntia tai yli 4 tuntia kesällä, kun ympäristön lämpötila on korkea.
- Säästä riittävästi tilaa ovien ja laatikoiden mukavaan avaamiseen.
- Yllä oleva kuva on vain viitteenä. Todellinen kokoonpano riippuu fyysisestä tuotteesta tai jakelijan ilmoituksesta.

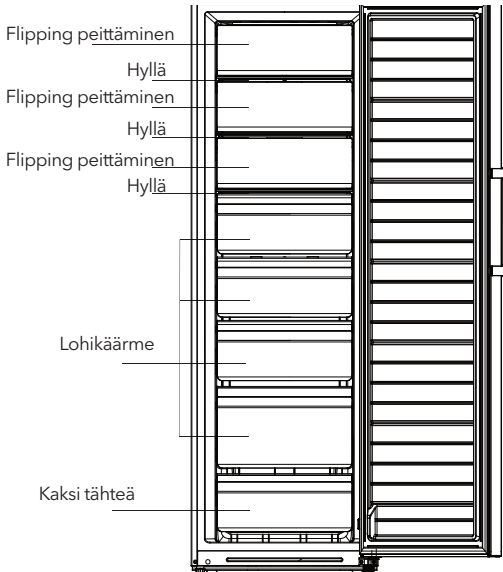


Energiaa säästäviä vinkkejä

- Laite on sijoitettava huoneen viileimmälle alueelle, kaukana lämpöä tuottavista laitteista tai lämmitysputkista ja suorasta auringonvalosta.
- Anna kuumien elintarvikkeiden jäähtyä huoneenlämpötilaan ennen laitteeseen sijoittamista. Laitteen ylikuormitus pakottaa kompressorin toimimaan pidempään. Ruoka, joka jäätyy liian hitaasti voi menettää laatua tai pilata.
- Muista kääriä elintarvikkeet kunnolla ja pyyhi säiliöt kuivaksi ennen niiden asettamista laitteeseen. Tämä vähentää jäätymistä laitteen sisällä.
- Laitteen säilytysastiaa ei saa kääriä alumiinikalvolla, vaha-paperilla tai paperipyyhkeillä. Liners häiritsevät kylmän ilmankiertoa, mikä tekee laitteesta vähemmän tehokkaan.
- Järjestää ja merkitä ruokaa vähentääkseen ovien avautumista ja laajennettuja hakuja. Poista niin monta kohdetta kuin tarvitset kerralla ja sulje ovi mahdollisimman pian.

RAKENNE JA TOIMINNOT

Keskeiset komponentit



Yllä oleva kuva on vain viitteenä. Todellinen kokoonpano riippuu fyysisestä tuotteesta tai jakelijan ilmoituksesta.

Jääkaappi

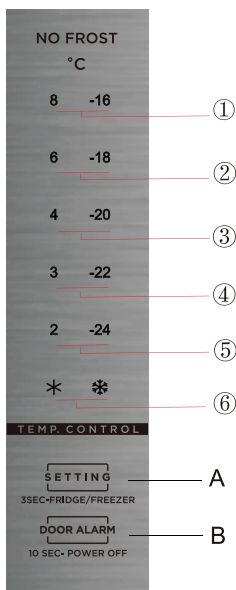
- Jääkaappi soveltuu lyhyellä aikavälillä kulutettujen hedelmien, vihannesten, juomien ja muiden elintarvikkeiden varastointiin.
- Keitetyjä elintarvikkeita ei saa laittaa jääkaappiin ennen kuin ne on jäädytetty huoneenlämpötilaan.
- Elintarvikkeita suositellaan suljettavaksi ennen jääkaappiin laittamista.
- Lasirakenteet voidaan säätää ylöspäin tai alaspäin asianmukaisen säilytystilän ja helpon käytön varmistamiseksi.

Pakastin

- Alhaisen lämpötilan pakastin voi pitää ruokaa tuoreena pitkään ja sitä käytetään pääasiassa jäädytettujen elintarvikkeiden varastointiin ja jäätelön valmistukseen.
- Jääkaappi soveltuu lihan, kalan, riisipallojen ja muiden elintarvikkeiden varastointiin, joita ei kuluteta lyhyellä aikavälillä.
- Liha on parasta jakaa pieniksi paloiksi helpon pääsyn varmistamiseksi. Huomioithan, että elintarvikkeet on syötävä säilytysajan kuluessa.

Huomautus: Liian suuren määrän elintarvikkeiden varastointi käytön aikana alkuperäisen virtalähteen muodostamisen jälkeen voi vaikuttaa haitallisesti jäädytysvaikutukseen. Säilytettujen elintarvikkeiden ei pidä estää ilman ulosvirtausta; muutoin jäädyttävä vaikutus vaikuttaa myös haitallisesti.

Toiminnot



1. Avaimet

- A. Lämpötilan säätöpainike ja jääkaappi / akastinvaihtopainike
- B. Seisomaan painiketta

2. Lämpötila icon

- Asetus 1: Asetuslämpötila on 8 °C tai -16 °C
- Asetus 2: Asetuslämpötila on 6 °C tai -18 °C
- Asetus 3: Asetuslämpötila on 4 °C tai -20 °C
- Asetus 4: Asetuslämpötila on 3 °C tai -22 °C
- Asetus 5: Asetuslämpötila on 2 °C tai -24 °C
- Asetus 6: nopea jäädytys tai nopea pakastaminen

Yllä oleva kuva on vain viitteenä. Todellinen kokoonpano riippuu fyysisestä tuotteesta tai jakelijan ilmoituksesta.

3. Kun jääkaappi on päällä:

Kaikki lämpötilan kuvakkeet loistavat 3 sekunnin kuluessa virtalähteen kytkemisestä, kun virta kytetään päälle ensimmäistä kertaa, oletuslämpötila on -20 °C.

Tämän jälkeen joka kerta, kun käynnistät jääkaapin, se toimii asetetun lämpötilan mukaisesti ennen viimeistä virtaa.

4. Avaa varoitus ja hälytysvalvonta:

Ei ole ovella avautuvaa kiireellistä ääntä; on avoimen oven hälytysääntä: kun jääkaapin ovi ei ole suljettuna kahden minuutin ajan sen avaamisen jälkeen, huuto soi, kunnes ovi on suljettu. Paina B-painiketta hälytyksen peruuttamiseksi, on suositeltavaa sulkea ovi ajoissa.

Näyttö normaaliin juoksuun

Jos virhe ilmenee, vastaavat kuvakkeet antavat yhdistetyn vilkkuvan: virhekoodit ja tyypit näkyvät seuraavasti:

Jääkaappi:


Väärä koodi	Virheellinen kuvaus	Näyttelyssä
E1	Jääkaapin lämpötilaanturi epäonnistuu	Ikoni "✱" ja ikoni "2" loistavat samanaikaisesti
E5	Jääkaapin sensori epäonnistuu	Ikoni "✱" ja ikoni "3" loistavat samanaikaisesti
E6	Viestinnän virhe	Ikoni "2" ja ikoni "4" loistavat samanaikaisesti
E7	Ympäristön lämpötilan anturi epäonnistuu	Ikoni "✱" ja ikoni "4" loistavat samanaikaisesti
E10	Ongelmia painikkeen kanssa	Ikoni "2" ja ikoni "3" loistavat samanaikaisesti

Freezer:

Väärä koodi	Virheellinen kuvaus	Näyttelyssä
E1	Jäähdyttimen huoneen lämpötilaanturi epäonnistuu	Ikoni "✱" ja ikoni "-24" loistavat samanaikaisesti
E5	Jäähdyttimen huoneen sensori epäonnistuu	Ikoni "✱" ja ikoni "-22" loistavat samanaikaisesti
E6	Viestinnän virhe	Ikoni "-24" ja ikoni n "-20" loistavat samanaikaisesti
E7	Ympäristön lämpötilan anturi epäonnistuu	Ikoni "✱" ja ikoni "-20" loistavat samanaikaisesti
E9	Korkean lämpötilan hälytys pakastimessa	Ikoni "-24" ja ikoni "-18" loistavat samanaikaisesti
E10	Ongelmia painikkeen kanssa	Ikoni "-24" ja ikoni "-22" loistavat samanaikaisesti

Jos mikään ei onnistu, näyttö näyttää jääkaapin asetuslämpötilan.

Jäähdyttimen/jääkaapin muuntaminen

Paina painiketta  3 sekunnin ajan saavuttaa Jääkaappi/Jääkaapin muuntaminen, vastaavat lämpötilan kuvakkeet loistavat.

Standby toiminnot

Paina odotuspainiketta  10 sekunnin ajan valmiustoiminnon asettamiseksi.

Lämpötilan asettaminen

TLämpötila muuttuu, kun painat painiketta (). Sitten jääkaappi toimii uuden lämpötilan mukaan 15 sekunnin kuluttua.



Nopea jäähdytysmuoto

Sisään: Jääkaapin tilassa paina painiketta () kunnes kuvake ✱ syttyy.

Nopean jäähdytystilan aikana jääkaappi toimii 2 °C:n lämpötilan mukaan, ja se poistuu automaattisesti tästä tilasta 150 minuutin käytön tai lämpötila- tai tila-asetuksen jälkeen.

Nopeaa jäädyttämistä

Sisään: Jäähdytystilassa paina painiketta (SETTING SSC-FRIDGE/FREEZER) kunnes ikoni  syttyy.

Nopean jäädyttämisen aikana pakastin toimii -24° asetetun lämpötilan mukaan (se poistuu tästä tilasta automaattisesti 24 tunnin käytön jälkeen tai lämpötilaasetuksen tai tilan asetuksen jälkeen).

LAITTEEN HUOLTO JA YLLÄPITO

Kokonaispuhdistus

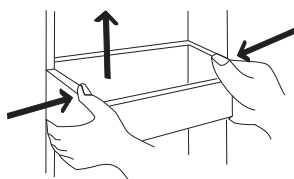
- Jääkaapin takana ja lattialla olevat pölyt on puhdistettava ajoissa jäähdytysvaikutuksen ja energiansäästöjen parantamiseksi.
- Tarkista oviaukko säännöllisesti varmistaaksesi, ettei roskia ole. Puhdista oviaukko pehmeällä kankaalla, joka on vaimennettu saippuavedellä tai laimennetulla pesuaineella.
- Jääkaapin sisätilat on puhdistettava säännöllisesti hajujen välttämiseksi.
- Sulje virta ennen sisätilojen puhdistamista, poista kaikki elintarvikkeet, juomat, hyllyt, laatikot jne.
- Käytä pehmeää kankaita tai sieniä puhdistamaan jääkaapin sisäpuolella, kaksi ruokalusikallista leivonnaista ja neljäsosa lämpimää vettä. Sitten huuhtelee vedellä ja pyyhi puhtaaksi. Puhdistuksen jälkeen avaa ovi ja anna sen kuivua luonnollisesti ennen virran kytkemistä päälle.
- Paikkoja, joita on vaikea puhdistaa jääkaapissa (kuten kapeita voileipiä, aukkoja tai kulmia), on suositeltavaa pyyhkiä ne säännöllisesti pehmeällä liinalla, pehmeällä harjalla jne. ja tarvittaessa yhdistettynä joihinkin apuvälineisiin (esimerkiksi ohuisiin tikkuihin), jotta näillä alueilla ei kerääny epäpuhtauksia tai bakteereja.
- Älä käytä saippuaa, pesuainetta, jauhetta, suihkepuhdistinta jne., koska ne voivat aiheuttaa hajua jääkaapin sisällä tai saastuneita elintarvikkeita.
- Puhdista pullon kehys, hyllyt ja laatikot pehmeällä kankaalla, joka on vaimennettu saippuavedellä tai laimennetulla pesuaineella. Kuivaa pehmeällä kankaalla tai kuivaa luonnollisesti.
- Pyyhi jääkaapin ulkopinta pehmeällä kankaalla, joka on tyhjennetty saippuavedellä, pesuaineella jne., ja pyyhi sitten kuivaksi.
- Älä käytä kovia harjoja, puhtaita teräspalloja, langattomia harjaimia, kuorinta-aineita (kuten hammastahnoja), orgaanisia liuottimia (esim. alkoholi, asetonit, banaaniöljy jne.), kiehuvaa vettä, happoja tai emäksisiä esineitä, jotka voivat vahingoittaa jääkaapin pintaa ja sisäpintaa. kiehuva vesi ja orgaaniset liuottimet, kuten benseeni, voivat vääristyä tai vahingoittaa muovisia osia.
- Älä huuhtelee suoraan vedellä tai muilla nesteillä puhdistuksen aikana, jotta vältetään lyhyet piirteet tai vaikuttavat sähköeristykseen ottamisen jälkeen.



Poista jääkaappi jäädyttämistä ja puhdistamista varten.

Puhdistus ovi laatikko, hedelmä- ja vihanneslaatikko ja kaappi

- Alla olevassa kuvassa olevan nuolen suunnan mukaan käytä molempia käsiä puristamaan lautasen ja työntämällä sitä ylöspäin, sitten voit ottaa sen ulos.
- Kun laatikko on pesty pois, voit säätää sen asennuksen korkeutta vaatimuksesi mukaan. Pehmeitä pyyhkeitä tai sieniä, jotka on upotettu veteen ja ei-korroosiivisia neutraaleja pesuaineita suositellaan puhdistukseen. Jääkaappi on lopulta puhdistettava puhtaalla vedellä ja kuivalla kankaalla. Avaa ovi luonnolliseen kuivaukseen ennen kuin virta kytketään päälle. Älä käytä kovia harjoja, puhtaita teräspalloja, lankaharjat, hankausaineita, kuten hammastahnoja, orgaanisia liuottimia (kuten alkoholi, asetonit, banaaniöljy jne.), kiehuvaa vettä, happamia tai emäksisiä esineitä puhdistaa jääkaappi ottaen huomioon, että tämä voi vahingoittaa jääkaapin pintaa ja sisätilaa.



Yllä oleva kuva on vain viitteellinen.
Todellinen kokoonpano riippuu fyysisestä tuotteesta tai jakelijan lausunnosta.

Lasihyllyn puhdistus

- Koska jääkaapin sisimmässä osassa, jossa hyllyt ovat yhteydessä, on tukipysäkki, nostat hyllyjä ylöspäin, sitten voit ottaa sen ulos.
- Säädä tai puhdistaa hyllyt vaatimuksesi mukaan.
Pehmeitä pyyhkeitä tai sieniä, jotka on upotettu veteen ja ei-korroosiivisia neutraaleja pesuaineita suositellaan puhdistukseen. Jääkaappi on lopulta puhdistettava puhtaalla vedellä ja kuivalla kankaalla. Avaa ovi luonnolliseen kuivaukseen ennen kuin virta kytketään päälle.
Älä käytä kovia harjoja, puhtaita teräspalloja, lankaharjat, hankausaineita, kuten hammastahnoja, orgaanisia liuottimia (kuten alkoholi, asetoni, banaaniöljy jne.), kiehuvaa vettä, happamia tai emäksisiä esineitä puhdistaa jääkaappi ottaen huomioon, että tämä voi vahingoittaa jääkaapin pintaa ja sisätilaa.

Sulatus

- Jääkaappi on valmistettu ilmajähdytysperiaatteella ja siinä on siten automaattinen sulatustoiminto. Vuodenajan tai lämpötilan vaihtelusta johtuva huurre voidaan poistaa myös manuaalisesti katkaisemalla laite sähköverkosta tai pyyhkimällä kuivalla pyyhkeellä.

Ei toimi

- Sähkökatkos: Sähkökatkon sattuessa, vaikka olisi kesällä, elintarvikkeet voidaan säilyttää laitteen sisällä useita tunteja; sähkökatkon aikana oven avautumisaikojä tulee lyhentää, eikä laitteeseen saa laittaa enää tuoretta ruokaa.
- Pitkäaikainen käyttämätön: Laite on irrotettava pistorasiasta ja puhdistettava. sitten ovet jätetään auki hajun estämiseksi.
- Siirtäminen: Ennen kuin siirrät jääkaapin, ota kaikki esineet nurinpäin, kiinnitä lasiseinäkkeet, vihannespäädike, pakastuskammion laatikot jne. teipillä ja kiristä tasoitusjalat; sulje ovet ja kiinnitä ne teipillä. Siirron aikana laitetta ei saa asettaa ylösalaisin tai vaakasuoraan, eikä sitä saa täristää; kaltevuus liikkeen aikana saa olla enintään 45°.



Laitteen tulee toimia jatkuvasti, kun se käynnistetään. Yleensä laitteen toimintaa ei saa keskeyttää; muuten käyttöikä voi lyhentyä.

VIANMÄÄRITYSOPAS

Voit yrittää ratkaista seuraavat yksinkertaiset ongelmat itse.

Jos niitä ei voida ratkaista, ota yhteyttä huoltopalveluun.

Epäonnistunut toiminta	Tarkista, onko laite kytketty verkkovirtaan tai onko pistoke kunnolla kiinni Tarkista, onko jännite liian alhainen Tarkista, onko sähkökatkos tai osittaispiirejä lauennut
Haju	Hajuisten elintarvikkeiden tulee olla tiiviisti käärittyinä Tarkista, onko niissä pilaantunutta ruokaa Puhdista jääkaapin sisäpuoli
Pitkäaikainen kompressorin käyttö	Pitkäaikainen jääkaapin käyttö on normaalia kesällä, kun ympäristön lämpötila on korkea. Ei ole suositeltavaa laittaa liikaa ruokaa laitteeseen samanaikaisesti. Ruoka tulee jäähdyttää ennen sen laittamista laitteeseen. Ovia avataan liian usein
Valo ei syty	Tarkista, onko jääkaappi liitetty sähköverkkoon ja onko valaistusvastus vaurioitunut. Anna asiantuntijan vaihtaa valo
Ovet eivät sulkeudu kunnolla	Ovi on juuttunut elintarvikepakkauksiin Jääkaappi on kallistunut
Ääniä	Tarkista, onko lattia tasainen ja onko jääkaappi asetettu tukevasti paikoilleen. Tarkista myös, ovatko tarvikkeet oikeilla paikoillaan.
Ovi ei saa olla tiukka	Poista vierasesineet oven tiivisteiden päältä. Lämmitä oven tiivistettä ja anna sen sitten jäähtyä palauttaaksesi sen alkuperäiseen kuntoon. (tai käytä sähköistä kuivaajaa tai lämmitä sitä kuumalla pyyhkeellä)
Vesi pan ylikuormittaa	Kammioon on varastoituna liian paljon ruokaa tai ruoka sisältää liikaa vettä, mikä aiheuttaa voimakasta sulamista. Ovet eivät sulkeudu kunnolla, mikä johtaa jäätymiseen ilman pääsyn vuoksi ja lisääntyneeseen veden määrään sulamisen takia.
Lämmin asuminen	Sisäänrakennetun kondensaattorin lämmön poisto tapahtuu kotelon kautta, mikä on normaalia. Kun koteloon kohdistuu korkea ympäristön lämpötila ja siellä on liikaa ruokaa varastoituna, suositellaan riittävää ilmanvaihtoa helpottamaan lämmön poistoa.
Pinnan kondensaatio	Jääkaapin ulkopinnoilla ja ovitiivisteillä esiintyvä tiivistyminen on normaalia, kun ympäristön kosteus on liian korkea. Pyyhi vain tiivistyminen pois puhtaalla pyyhkeellä.
Epätavallinen melu	Pulina: Kompressorin saattaa tuottaa pulinaa käytön aikana, ja pulina saattaa olla erityisen voimakasta käynnistyksen tai sammumisen yhteydessä. Tämä on normaalia. Rahina: Jääkaapin sisällä virtaavan jäähdytysaineen liikkeestä saattaa aiheutua rahinaa, mikä on normaalia.

Tuoteseloste

KOMISSION DELEGOITU ASETUS (EU) 2019/2016 kylmäsäilytyslaitteiden energiamerkintöjen osalta

Tavarantoimittajan nimi tai tavaramerkki: Tesla

Tavarantoimittajan osoite: Tesla Electronics, Litijska 47, 1000 Ljubljana, SI

Mallitunniste: RU2700FM

Kylmäsäilytyslaitteen tyyppi:

Hiljainen laite:	Ei	Suunnittelun tyyppi:	vapaasti seisova
Viinikaappi:	Ei	Muu kylmäsäilytyslaite:	Kyllä

Yleiset tuoteparametrit:

Parametri	Arvo	Parametri	Arvo
Kokonaismitat (mm)	Korkeus 1 850	Kokonaistilavuus (dm ³ tai l)	273
	Leveys 595		
	Syvyys 618		
EEl	100	Energiatohokkuusluokka	E
Äänitaso (dB(A) re 1 pW)	41	Äänitasoluokka	C
Vuotuinen energiankulutus (kWh/v)	245	Ilmastoluokka:	laajennettu lauhkea, lauhkea, subtrooppinen, trooppinen
Ympäristön vähimmäislämpötila (°C), jolle kylmäsäilytyslaite on sopiva	10	Ympäristön enimmäislämpötila (°C), jolle kylmäsäilytyslaite on sopiva	43
Talviasetuskytkin	Ei		

Osaston parametrit:

Osaston parametrit ja arvot			
Osastotyyppi	Osaston tilavuus (dm ³ tai l)	Suosittelutu lämpötila-asetus elintarvikkeiden säilytyksen optimoimiseksi (°C) Nämä asetukset eivät saa olla ristiriidassa liitteessä IV olevassa taulukossa 3 esitettyjen säilytys-	Pakastuskyky (kg/24h)
			Defrosting type (auto-defrost=A, manual defrost=M)

			sedellytys-		
			ten kanssa		
Ruokakaappiosasto	Ei	-	-	-	-
Viinikaappiosasto	Ei	-	-	-	-
Vileäkaappiosasto	Ei	-	-	-	-
Tuore-elintarvikeosasto	Ei	-	-	-	-
Jäähdytysosasto	Ei	-	-	-	-
Ei tähtimerkintää tai jäänvalmistus	Ei	-	-	-	-
1 tähden	Ei	-	-	-	-
2 tähden	Ei	-	-	-	-
3 tähden	Ei	-	-	-	-
4 tähden	Ei	-	-	-	-
2 tähden lohko	Ei	-	-	-	-
Muuttuvalämpötilainen osasto	4 tähden	259,0	-	12,4	A
Muuttuvalämpötilainen osasto	4 tähden	14,0	-	-	A
Neljän tähden osastoille					
Pikapakastus			Kyllä		
Valonlähteen parametrit:					
Valonlähteen tyyppi			-		
Energiatehokkuusluokka			-		
Valmistajan tarjoaman takuun vähimmäiskesto: 24 kuukautta					
Lisätiedot:					
Linkki valmistajan verkkosivuille, joilla löytyy komission asetuksen (EU) 2019/2019 liitteessä olevan 4 kohdan a alakohdan mukaiset tiedot: tesla.info					

MĂSURI DE SIGURANȚĂ

ATENȚIE:



Atenție: risc de incendiu/materiale inflamabile

RECOMANDĂRI:

- Acest aparat este destinat a fi utilizat în aplicații casnice și similare, cum ar fi zonele de bucătărie pentru personal în magazine, birouri și alte medii de lucru; fermelor și de către clienți în hoteluri, moteluri și alte medii de tip rezidențial; medii tip pensiune; catering și aplicații similare non-retail.
- Dacă cablul de alimentare este deteriorat, acesta trebuie înlocuit de către producător, agentul de service sau persoane calificate pentru a evita un pericol.
- Nu depozitați în acest aparat substanțe explozive, cum ar fi cutii de aerosoli cu un propulsor inflamabil.
- Aparatul trebuie scos din priză după utilizare și înainte de a efectua întreținerea aparatului.
- **AVERTISMENT:** Păstrați orificiile de ventilație, în carcasa aparatului sau în structura încorporată, fără obstacole.
- **AVERTISMENT:** Nu folosiți dispozitive mecanice sau alte mijloace pentru a accelera dezghețarea, altele decât cele recomandate de producător.
- **AVERTISMENT:** Nu deteriorați circuitul de agent frigorific.
- **AVERTISMENT:** Nu folosiți aparate electrice în interiorul compartimentelor de depozitare a alimentelor ale aparatului, decât dacă sunt de tipul recomandat de producător.
- **AVERTISMENT:** Vă rugăm să eliminați aparatul conform autorităților locale de reglementare, deoarece utilizează gaz inflamabil și agent frigorific.
- **AVERTISMENT:** Când poziționați aparatul, asigurați-vă că cablul de alimentare nu este prins sau deteriorat
- **AVERTISMENT:** Nu localizați mai multe prize portabile sau surse de alimentare portabile în partea din spate a aparatului.
- Nu utilizați prelungitoare sau adaptoare fără împământare (cu două pini).
- **PERICOL:** Risc de blocare a copiilor.
Înainte de a arunca aparatul:
- Scoateți ușile.
- Lăsați rafturile la locul lor, astfel încât copiii să nu se urce cu ușurință înăuntru.
- Aparatul trebuie deconectat de la sursa de alimentare electrică înainte de a încerca instalarea accesoriului.
- Refrigerantul și materialul spumant de ciclopentan utilizat pentru frigider sunt inflamabile. De aceea, atunci când frigiderul este scos, acesta trebuie ținut departe de orice sursă de foc și recuperat de o firmă de recuperare cu calificare corespunzătoare, să nu fie eliminat prin ardere, astfel încât pentru a preveni deteriorarea mediului sau orice alte daune.
- Pentru standardul EN: Acest aparat poate fi folosit de copii cu vârsta de la 8 ani și peste și de persoane cu capacități fizice senzoriale sau mentale reduse sau cu lipsă de experiență și cunoștințe, dacă au primit supraveghere sau instrucțiuni privind utilizarea aparatului într-un mod sigur și înțeleg pericolele implicate. Copiii nu se vor juca cu aparatul. Curățarea și întreținerea utilizatorului nu trebuie efectuate de copii fără supraveghere. Copiii cu vârsta cuprinsă între 3 și 8 ani au voie să încarce și să descarce aparatele frigorifice.
- Pentru standardul IEC: Acest aparat nu este destinat utilizării de către persoane (inclusiv copii) cu capacități fizice, senzoriale sau mentale reduse sau cu lipsă de experiență și cunoștințe, cu excepția cazului în care acestea au fost supravegheate sau instruite cu privire la utilizarea aparatului de către o persoană responsabil pentru siguranța lor.)
- Copiii trebuie supravegheați pentru a se asigura că nu se joacă cu aparatul.
- Instrucțiunile trebuie să includă următoarele: Pentru a evita contaminarea alimentelor, vă rugăm să respectați următoarele instrucțiuni:
- Deschiderea ușii pentru perioade lungi de timp poate provoca o creștere semnificativă a temperaturii în compartimentele aparatului.
- Curățați în mod regulat suprafețele care pot intra în contact cu alimentele și sistemele de drenaj accesibile.
- Curățați rezervoarele de apă dacă nu au fost folosite timp de 48 de ore; spălați sistemul de apă conectat la o sursă de apă dacă apa nu a fost extrasă timp de 5 zile. (nota 1)
- Păstrați carnea și peștele crud în recipiente adecvate în frigider, astfel încât să nu intre în contact cu alte alimente sau să picure peste acestea.
- Compartimentele pentru alimente congelate cu două stele (❄️ ❄️) sunt potrivite pentru depozitarea alimentelor precongelate, depozitarea sau prepararea înghețatei și prepararea cuburilor de gheață. (nota 2)
- Compartimentele cu una (❄️), două (❄️ ❄️) și trei stele (❄️ ❄️ ❄️) nu sunt potrivite pentru congelarea alimentelor proaspete. (nota 3)
- Dacă aparatul frigorific este lăsat gol pentru perioade lungi de timp, opriți, dezghețați, curățați, uscați și lăsați ușa deschisă pentru a preveni formarea mușgaiului în interiorul aparatului.

Notă 1, 2, 3: Vă rugăm să confirmați dacă este aplicabil în funcție de tipul de compartiment al produsului dumneavoastră.

Sensul simbolurilor de avertizare



Acesta este un simbol de interdicție. Orice nerespectare a instrucțiunilor marcate cu acest simbol poate duce la deteriorarea produsului sau poate pune în pericol siguranța personală a utilizatorului.



Acesta este un simbol de avertizare. Este necesar să se opereze cu respectarea strictă a instrucțiunilor marcate cu acest simbol; sau în alt mod poate fi cauzată deteriorarea produsului sau vătămări corporale.



Acesta este un simbol de avertizare. Instrucțiunile marcate cu acest simbol necesită o atenție specială. Atenția insuficientă poate duce la răniiri ușoare sau moderate sau deteriorarea produsului.

Acest manual conține măsuri de siguranță, care trebuie respectate de către utilizator.

Avertizări referitoare la alimentarea electrică

- Nu trageți de cablul de alimentare când trageți de ștecherul frigiderului. Vă rugăm țineți ferm ștecherul și să-l scoateți direct din priză.
- Pentru a asigura o utilizare în siguranță, nu deteriorați cablul de alimentare și nu utilizați cablul de alimentare atunci când este deteriorat sau uzat.
- Vă rugăm să utilizați o priză de alimentare dedicată, iar priza de alimentare nu trebuie să fie partajată cu alte aparate electrice. Ștecherul de alimentare trebuie să fie în contact ferm cu priza, altfel ar putea fi provocate incendii.
- Vă rugăm să vă asigurați că electrodul de împământare al prizei de alimentare este echipat cu o linie de împământare fiabilă.
- Vă rugăm să închideți robinetul de scurgere a gazului și apoi deschideți ușile și ferestrele în caz de scurgere de gaz și alte gaze inflamabile. Nu deconectați frigiderul și alte aparate electrice, având în vedere că scântea poate provoca un incendiu.
- Nu folosiți aparate electrice pe partea superioară a aparatului, decât dacă sunt de tipul recomandat de producător.

Avertizări privind utilizarea

- Nu dezamblați sau reconstruiți în mod arbitrar frigiderul și nici nu deteriorați circuitul de agent frigorific; întreținerea aparatului trebuie efectuată de un specialist.
- Cablul de alimentare deteriorat trebuie înlocuit de către producător, departamentul de întreținere sau profesioniști pentru a evita pericolul.
- Decalajele dintre ușile frigiderului și dintre uși și corpul frigiderului sunt mici, nu puneți mâna în aceste zone pentru a preveni rănirea degetului. Vă rugăm să fiți atenți când deschideți ușa frigiderului pentru a evita căderea articolelor.
- Nu ridicați alimente sau recipiente cu mâinile ude în camera de congelare când frigiderul funcționează, în special recipiente metalice pentru a evita degerăturile.
- Nu permiteți niciunui copil să intre sau să se urce în frigider; în caz contrar, poate fi provocată rănirea copilului prin sufocare sau cădere.
- Nu așezați obiecte grele pe partea superioară a frigiderului, având în vedere că obiectivele pot cădea atunci când închideți sau deschideți ușa și pot fi provocate răni accidentale.
- Vă rugăm să scoateți ștecherul în caz de pană de curent sau de curățare. Nu conectați congelatorul la sursa de alimentare în decurs de cinci minute pentru a preveni deteriorarea compresorului din cauza pornirilor succesive.

Avertizări privind înlocuirea

- Nu introduceți articole inflamabile, explozive, volatile și foarte corozive în frigider pentru a preveni deteriorarea produsului sau accidente de incendiu.
- Nu așezați articole inflamabile în apropierea frigiderului pentru a evita incendiile.
- Frigiderul este destinat uzului casnic, cum ar fi depozitarea alimentelor; nu va fi utilizat în alte scopuri, cum ar fi depozitarea sângelui, a medicamentelor sau a produselor biologice etc.
- Nu depozitați berea, băutura sau alte lichide în sticle sau recipiente închise în camera de congelare a frigiderului; în caz contrar, sticlele sau recipientele închise se pot crăpa din cauza înghețului pentru a provoca daune.

Avertizări privind energia

1. Este posibil ca aparatele frigorifice să nu funcționeze în mod constant (posibilitatea dezghețării conținutului sau temperatura să devină prea caldă în compartimentul pentru alimente congelate) atunci când sunt amplasate pentru o perioadă lungă de timp sub limita rece a intervalului de temperaturi pentru care este proiectat aparatul frigorific.
2. Băuturile efervescente nu trebuie depozitate în compartimente sau dulapuri congelatoare pentru alimente sau în compartimente sau dulapuri cu temperatură scăzută și că unele produse precum gheața nu trebuie consumate prea reci;
3. Necesitatea de a nu depăși timpul de depozitare recomandat de producătorii de alimente pentru orice fel de alimente și în special pentru alimente congelate rapid din comerț în compartimente sau dulapuri de depozitare a alimentelor congelate;
4. Măsurile de precauție necesare pentru a preveni o creștere nejustificată a temperaturii alimentelor congelate în timpul dezghețării aparatului frigorific, cum ar fi ambalarea alimentelor congelate în multe straturi de ziar.
5. Faptul ca o creștere a temperaturii alimentelor congelate in timpul dezghețării manuale, întreținerii sau curățării ar putea scurta durata de viață.
6. În cazul ușilor sau al capacelor prevăzute cu încuietori și chei, acestea trebuie să fie ținute departe de accesul copiilor și nu în apropierea aparatului frigorific, pentru a preveni blocarea copiilor în interior.

Recomandări pentru eliminare



Refrigerantul și materialul spumant ciclopentan utilizat pentru frigider sunt inflamabile. Prin urmare, atunci când frigiderul este răzuit, acesta trebuie ținut departe de orice sursă de foc și recuperat de către o firmă de recuperare cu calificare corespunzătoare, nu eliminate prin ardere, astfel încât să se prevină deteriorarea mediului sau orice alte daune.



Când frigiderul este răzuit, dezasamblați ușile și îndepărtați garnitura ușii și a raftului; puneți ușile și rafturile într-un loc corespunzător, astfel încât să preveniți blocarea copiilor.



Eliminarea corectă a acestui produs:

Acest marcaj indică faptul că acest produs nu trebuie aruncat împreună cu alte deșeuri menajere în întreaga UE. Pentru a preveni posibilele daune aduse mediului sau sănătății umane prin eliminarea necontrolată a deșeurilor, reciclați-le în mod responsabil pentru a promova reutilizarea durabilă a resurselor materiale. Pentru a returna dispozitivul folosit, vă rugăm să utilizați sistemele de returnare și colectare sau contactați comerciantul de unde a fost achiziționat produsul. Ei pot lua acest produs pentru reciclare sigură pentru mediu.

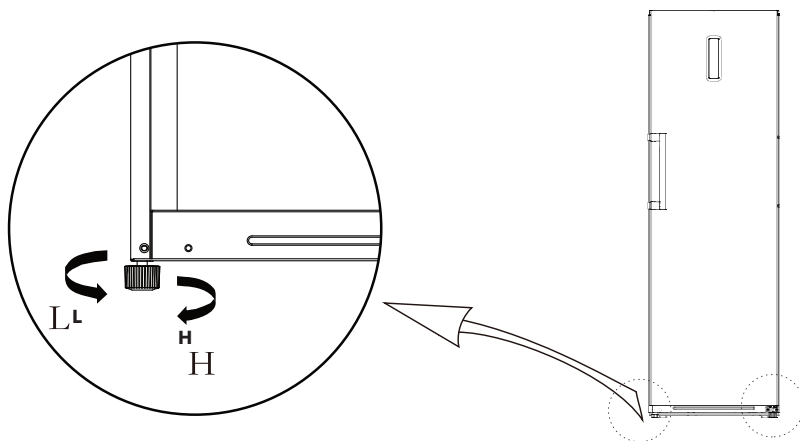
UTILIZAREA CORECTĂ A FRIGIDERULUI

Așezare

- Înainte de utilizare, îndepărtați toate ambalajele, inclusiv pernele inferioare, tampoanele de spumă și benzile din interiorul frigiderului; rupeți folia de protecție de pe uși și corpul frigiderului.
- Țineți departe de căldură și evitați lumina directă a soarelui. Nu așezați congelatorul în locuri umede sau apoase pentru a preveni rugină sau reducerea efectului de izolare.
- Nu pulverizați sau spălați frigiderul; nu puneți frigiderul în locuri umede ușor de stropit cu apă pentru a nu afecta proprietățile de izolare electrică ale frigiderului.
- Frigiderul se așează într-un loc interior bine ventilat; solul trebuie să fie plat și solid (roțiți-vă la stânga sau la dreapta pentru a regla roata pentru nivelare dacă este instabilă).
- Spațiul superior al frigiderului trebuie să fie mai mare de 30 cm, iar frigiderul trebuie așezat pe un perete cu o distanță liberă mai mare de 10 cm pentru a facilita disiparea căldurii.

Nivelarea picioarelor

1. Precauții înainte de utilizare: Înainte de punerea în funcțiune a accesoriilor, trebuie să vă asigurați că frigiderul este deconectat de la curent. Înainte de reglarea picioarelor de nivelare, trebuie luate măsuri de precauție pentru a preveni orice vătămare corporală.
2. Schema schematică a picioarelor de nivelare

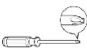

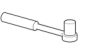



Poza de mai sus este doar pentru referință. Configurația reală va depinde de produsul fizic sau de declarația distribuitorului.

3. Proceduri de ajustare:

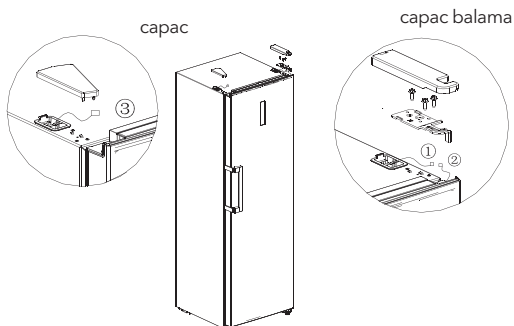
- a. Rotiți picioarele în sensul acelor de ceasornic pentru a ridica frigiderul;
- b. Rotiți picioarele în sens invers acelor de ceasornic pentru a coborî frigiderul;
- c. Reglați picioarele drepte și stângi pe baza procedurilor de mai sus la un nivel orizontal.

Mutarea ușii stânga-dreapta

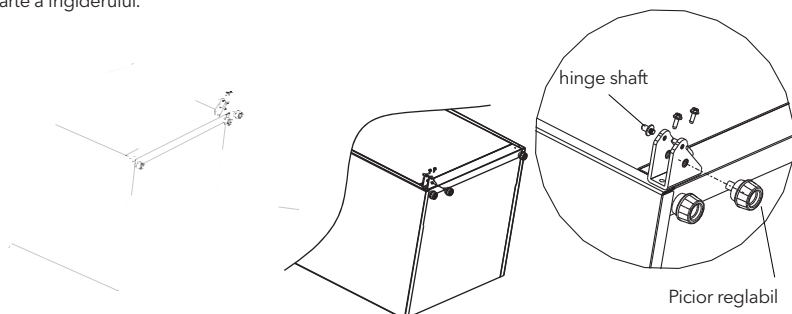
Sculele vor fi asigurate de către utilizator.			
	Șurubelniță în cruce		Șpaclu Șurubelniță cu lamă subțire
	5/16" Priză și ratchetă		Bandă adezivă

Piese care vor fi folosite			
Număr	Denumire	Număr	Observații
1	Garnitură axă balama superioară	1	Preinstalat pe frigider, scos și păstrat la schimbarea ușii
2	Șurub balama superioară	3	Preinstalat pe frigider, scos și păstrat la schimbarea ușii
3	Balama superioară dreaptă	1	Preinstalat pe frigider, scos și păstrat la schimbarea ușii
4	Capac balama superioară dreaptă	1	Preinstalat pe frigider, scos și păstrat la schimbarea ușii
5	Capac	1	Preinstalat pe frigider, scos și păstrat la schimbarea ușii
6	capac	1	Preinstalat pe frigider, scos și păstrat la schimbarea ușii
7	Picior ajustabil	1	Preinstalat pe frigider, scos și păstrat la schimbarea ușii
8	Opritor balama inferioară	1	Preinstalat pe frigider, scos și păstrat la schimbarea ușii
9	Șurub balama inferioară	2	Preinstalat pe frigider, scos și păstrat la schimbarea ușii
10	Opritor	1	Preinstalat pe frigider, scos și păstrat la schimbarea ușii
11	Garnitură axă balama inferioară	1	Preinstalat pe frigider, scos și păstrat la schimbarea ușii
12	Șurub opritor	1	Preinstalat pe frigider, scos și păstrat la schimbarea ușii
13	Balama superioară stânga	1	În pungă de plastic atașată, scoateți-le pentru utilizare când ușa este inversată
14	Capac balama superioară stânga	1	În pungă de plastic atașată, scoateți-le pentru utilizare când ușa este inversată

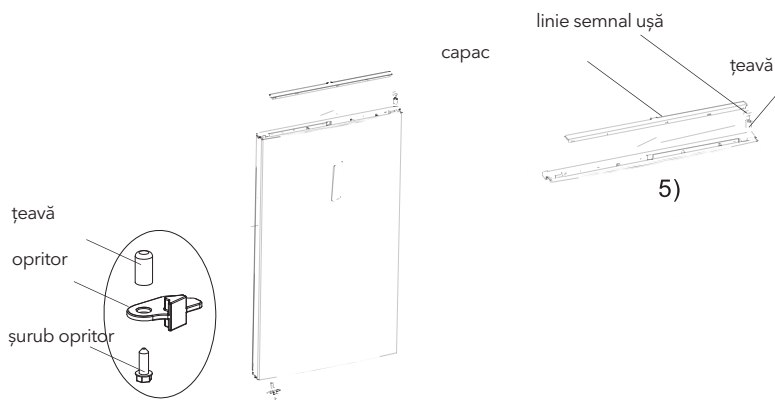
- Oprți frigiderul și scoateți toate obiectele din tăvile ușii.
- Demontați capacele orificiilor pentru șuruburi, șuruburile și mânerul și îndepărtați capacele din plastic ale orificiilor pentru șuruburi de pe cealaltă parte.
- Demontați capacul balamalei superioare, șuruburile și balama superioară și scoateți capacul orificiului de pe cealaltă parte. Deconectați conectorul cablajului din partea dreaptă a frigiderului (1,2 conector cablare)



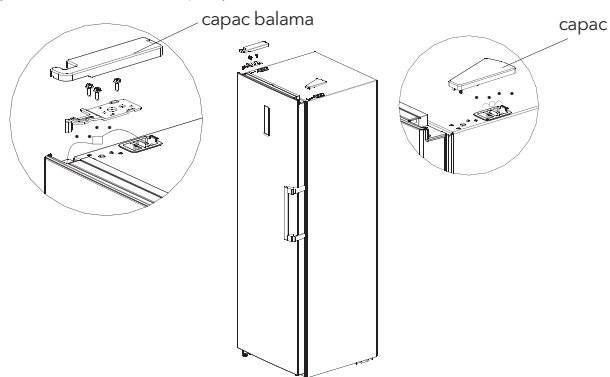
4. Demontați ușa și ansamblul balamalei inferioare drepte (arborele balamalei și piciorul reglabil și balamaua), dezasamblați ansamblul balamalei inferioare drepte și asamblați arborele balamalei și piciorul reglabil de cealaltă parte a balamalei, apoi asamblați întregul ansamblu de balamale pe cealaltă parte a frigiderului.



5. Scoateți capacul superior al ușii, instalați manșonul balamalei superioare, linia de semnalizare a ușii pe cealaltă parte și instalați capacul superior al ușii. Scoateți blocul de oprire și manșonul arborelui și instalați-le pe cealaltă parte a corpului ușii.

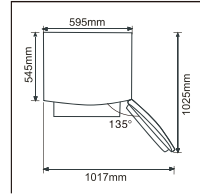


6. Scoateți balamaua de sus stânga, capacul balamalei de sus stânga din pachetul de accesorii, așezați ușa pe balamaua de jos și montați balamaua de sus stânga. Conectați terminalul 3 al liniei de semnal cu terminalul 2 al liniei de semnal, conectați terminalul 1 al liniei de semnal cu suportul 4 al liniei de semnal. capacul balamalei de sus și capacul orificiului.



Utilizare

- Înainte de pornirea inițială, lăsați frigiderul nemișcat o jumătate de oră înainte de a-l conecta la sursa de alimentare.
- Înainte de a pune alimente proaspete sau congelate, frigiderul trebuie să funcționeze timp de 2-3 ore sau mai mult de 4 ore vara când temperatura ambientală este ridicată.
- Spațiu suficient pentru deschiderea convenabilă a ușilor și a sertarelor.
- Imaginea de mai sus este doar pentru referință. Configurația reală va depinde de produsul fizic sau de declarația distribuitorului.

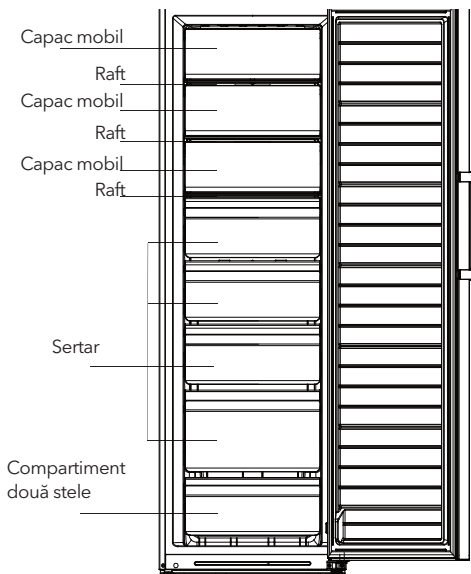


Recomandări pentru economisirea energiei

- Aparatul trebuie amplasat în cea mai răcoasă zonă a încăperii, departe de aparatele care produc căldură sau de conductele de încălzire și ferit de lumina directă a soarelui.
- Lăsați alimentele fierbinți să se răcească la temperatura camerei înainte de a le introduce în aparat. Supraîncărcarea aparatului forțează compresorul să funcționeze mai mult. Alimentele care îngheață prea încet pot pierde calitatea sau se pot strica.
- Asigurați-vă că împachetați alimentele în mod corespunzător și ștergeți recipientele înainte de a le introduce în aparat. Acest lucru reduce acumularea de îngheț în interiorul aparatului.
- Recipientul de depozitare a aparatului nu trebuie acoperit cu folie de aluminiu, hârtie sau prosoape de hârtie. Căptușelile interferează cu circulația aerului rece, făcând aparatul mai puțin eficient.
- Organizați și etichetați alimentele pentru a reduce deschiderile ușilor și căutările extinse. Scoateți cât mai multe articole necesare simultan și închideți ușa cât mai curând posibil.

STRUCTURĂ ȘI FUNCȚII

Componente-cheie



Imaginea de mai sus este doar pentru referință. Configurația reală va depinde de produsul fizic sau de declarația distribuitorului.

Frigider

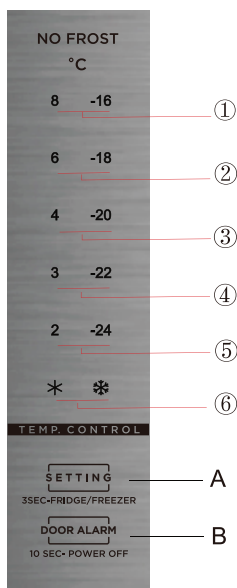
- Camera frigorifică este potrivită pentru depozitarea unei varietăți de fructe, legume, băuturi și alte alimente consumate pe termen scurt.
- Alimentele nu trebuie introduse în camera frigorifică până când nu se răcesc la temperatura camerei.
- Alimentele se recomandă să fie sigilate înainte de a le pune în frigider.
- Rafturile din sticlă pot fi reglate în sus sau în jos pentru un spațiu corespunzător de depozitare și o utilizare ușoară

Congelator

- Camera de congelare la temperatură joasă poate păstra alimentele proaspete pentru o perioadă lungă de timp și este folosită în principal pentru a păstra alimente congelate și pentru a face gheață.
- Camera de congelare este potrivită pentru depozitarea cărnii, peștelui, orez și a altor alimente care nu trebuie consumate pe termen scurt.
- Bucățile de carne trebuie împărțite în bucăți mici pentru un acces ușor. Vă rugăm să rețineți că alimentele vor fi consumate în timpul de depozitare.

Notă: Depozitarea de prea multe alimente în timpul funcționării după conectarea inițială la alimentare poate afecta negativ efectul de îngheț al frigiderului. Alimentele depozitate nu trebuie să blocheze orificiul de evacuare a aerului; sau efectul de îngheț va fi de asemenea afectat negativ.

Funcții



1. Taste

- Buton setare temperatură
- Buton Standby

2. Pictogramă temperatură

- Setarea 1: setarea temperaturii este 8°C or -16°C
- Setarea 2: setarea temperaturii este 6°C or -18°C
- Setarea 3: setarea temperaturii este 4°C or -20°C
- Setarea 4: setarea temperaturii este 3°C or -22°C
- Setarea 5: setarea temperaturii este 2°C or -24°C
- Setarea 6: quick cooling sau quick freezing

Imaginea de mai sus este doar pentru referință. Configurația reală va depinde de produsul fizic sau de declarația distribuitorului.

3. Când frigiderul este pornit:

Toate pictogramele de temperatură luminează în decurs de 3 secunde de la pornire, pentru prima pornire, temperatura setată implicit este de -20°C.

După aceea, de fiecare dată când porțiți frigiderul, acesta va funcționa în conformitate cu temperatura setată înainte de ultima oprire.

4. Atenționare deschidere și control alarmă:

Nu există un ton de deschidere a ușii; există un ton de alarmă pentru ușa deschisă: când ușa frigiderului nu este închisă timp de două minute după deschidere, soneria va suna până când ușa este închisă.

Apăsați butonul B pentru a anula alarma sonoră, se recomandă să închideți ușa la timp.

Afișaj funcționare normală

La apariția unei defecțiuni, pictogramele corespunzătoare vor da o clipire combinată: codurile și tipurile de eroare sunt afișate după cum urmează:

Frigider:

Cod eroare	Descriere eroare	Afișaj
E1	Șenzorul de temperatură al camerei frigiderului nu funcționează.	Pictograma "❄️" & Pictograma "2" se aprind în același timp
E5	Senzorul de dezghețare al camerei frigiderului nu funcționează.	Pictograma "❄️" & Pictograma "3" se aprind în același timp
E6	Eroare de comunicare	Pictograma "2" & Pictograma "4" se aprind în același timp
E7	Senzorul de temperatură ambientală nu funcționează.	Pictograma "❄️" & Pictograma "4" se aprind în același timp
E10	Problemă de lipire Buton	Pictograma "2" & Pictograma "3" se aprind în același timp

Congelator:

Cod eroare	Descriere eroare	Afișaj
E1	Senzorul de temperatură al camerei congelatorului nu funcționează.	Pictograma "❄️" & Pictograma "-24" se aprind în același timp
E5	Senzorul de dezghețare al camerei congelatorului nu funcționează.	Pictograma "❄️" & Pictograma "-22" se aprind în același timp
E6	Eroare de comunicare	Pictograma "-24" & Pictograma "-20" se aprind în același timp
E7	Senzorul de temperatură ambientală nu funcționează.	Pictograma "❄️" & Pictograma "-20" se aprind în același timp
E9	Alarmă temperatură mare în congelator	Pictograma "-24" & Pictograma "-18" se aprind în același timp
E10	Problemă de lipire Buton	Pictograma "-24" & Pictograma "-22" se aprind în același timp

Dacă nu există nicio eroare, ecranul afișează temperatura setată a camerei frigiderului.

Conversie frigider/congelator

Apăsăți butonul  3 secunde pentru a face conversia frigider/congelator, iar pictogramele corespunzătoare se vor aprinde.

Funcția Standby

Mențineți apăsat butonul  10 secunde pentru a seta funcția Standby.

Setare temperatură

Temperatura se va schimba dacă apăsați butonul (). Apoi, frigiderul va funcționa la temperatura setată după 15s.



Mod răcire rapidă

În modul frigider, apăsați butonul () până când pictograma ❄️ se aprinde.

În timpul modului de răcire rapidă, frigiderul funcționează conform temperaturilor setate la 2°C și va ieși automat din acest mod după funcționarea timp de 150 de minute sau setarea temperaturii sau setarea modului.

Mod congelare rapidă

În modul congelator, apăsați butonul () până când pictograma ❄️ se aprinde.

În timpul modului de congelare rapidă, congelatorul funcționează în funcție de temperatura setată la -24°C, și va ieși automat din acest mod după funcționarea timp de 24 de ore sau setarea temperaturii sau setarea modului.

ÎNTREȚINERE

Curățare generală

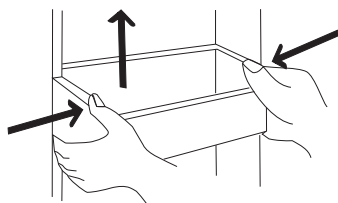
- Praful din spatele frigiderului și de pe sol trebuie curățat în timp util pentru a îmbunătăți efectul de răcire și a economisi energie.
- Verificați în mod regulat garnitura ușii pentru a vă asigura că nu există resturi. Curățați garnitura ușii cu o cârpă moale umezită cu apă cu săpun sau detergent diluat.
- Interiorul frigiderului trebuie curățat regulat pentru a evita mirosul.
- Vă rugăm să opriți alimentarea înainte de a curăța interiorul, îndepărtați toate alimentele, băuturile, rafturile, sertarele etc.
- Folosiți o cârpă moale sau un burete pentru a curăța interiorul frigiderului, cu două linguri de bicarbonat de sodiu și un litru de apă caldă. Apoi clătiți cu apă și ștergeți. După curățare, deschideți ușa și lăsați-o să se usuce natural înainte de a porni.
- Pentru zonele greu de curățat în frigider (cum ar fi porțiuni înguste, goluri sau colțuri), se recomandă să le ștergeți în mod regulat cu o cârpă moale, perie moale etc. și atunci când este necesar, combinate cu unele unelte auxiliare (cum ar fi ca bețișoare subțiri) pentru a asigura nicio acumulare de contaminanți sau bacterii în aceste zone.
- Nu folosiți săpun, detergent, praf pentru spălat, spray de curățat etc., deoarece acestea pot provoca mirosuri în interiorul frigiderului sau alimente contaminate.
- Curățați cadrul sticlei, rafturile și sertarele cu o cârpă moale umezită cu apă cu săpun sau detergent diluat. Uscați cu o cârpă moale sau uscați în mod natural.
- Ștergeți suprafața exterioară a frigiderului cu o cârpă moale umezită cu apă cu săpun, detergent etc., apoi ștergeți-l.
- Nu utilizați perii dure, bile de oțel, perii de sârmă, abrazive (cum ar fi paste de dinți), solvenți organici (cum ar fi alcool, acetonă, ulei de banane etc.), apă clocotită, articole acide sau alcaline, care pot deteriora frigiderul, suprafața și interiorul. Apa clocotită și solvenții organici, cum ar fi benzenul, pot deforma sau deteriora piesele din plastic.
- Nu clătiți direct cu apă sau alte lichide în timpul curățării pentru a evita scurtcircuitul sau pentru a afecta izolația electrică după imersare.



Deconectați de la priză pentru dezghețare și curățare.

Curățarea rafturilor de pe ușă, a cutiei pentru fructe și legume

- Conform săgeții de direcție din figura de mai jos, folosiți ambele mâini pentru a strânge tava și împingeți-o în sus, apoi o puteți scoate.
- După ce ați spălat tava scoasă, puteți regla înălțimea de instalare a acesteia în funcție de cerințele dumneavoastră. Pentru curățare se recomandă prosoape moi sau burete înmuiate în apă și detergenti neutri non-corozivi. Congelatorul va fi curățat cu apă curată și cârpă uscată. Deschideți ușa pentru uscare naturală înainte de a porni alimentarea. Nu folosiți perii dure, bile de oțel, perii de sârmă, abrazivi, cum ar fi paste de dinți, solvenți organici (cum ar fi alcool, acetonă, ulei de banane etc.), apă clocotită, articole acide sau alcaline, curățați frigiderul, având în vedere că acest lucru poate deteriora suprafața și interiorul frigiderului.



Imaginea de mai sus este doar pentru referință. Configurația reală va depinde de produsul fizic sau de declarația distribuitorului.

Curățarea rafturilor din sticlă

- Deoarece partea cea mai interioară a căptușelii frigiderului în care contactul cu rafturile are un dispozitiv de blocare, trebuie să ridicați rafturile în sus, apoi îl puteți scoate.
- Reglați sau curățați rafturile conform cerințelor dumneavoastră. Pentru curățare se recomandă prosoape moi sau burete înmuiat în apă și detergenți neutri non-corozivi. În cele din urmă, congelatorul va fi curățat cu apă curată și cârpă uscată. Deschideți ușa pentru uscare naturală înainte de a porni alimentarea. Nu folosiți perii dure, bile de oțel, perii de sârmă, abrazivi, cum ar fi paste de dinți, solvenți organici (cum ar fi alcool, acetonă, ulei de banane etc.), apă clocotită, articole acide sau alcaline, curățați frigiderul, având în vedere că acest lucru poate deteriora suprafața și interiorul frigiderului.

Dezghețare

- Frigiderul este realizat pe principiul răcirii cu aer și astfel are funcție de dezghețare automată. Înghețul format din cauza schimbării sezonului sau a temperaturii poate fi îndepărtat și manual prin deconectarea aparatului de la sursa de alimentare sau prin ștergere cu un prosop uscat.

Nefuncționare

- Pana de curent: În caz de pană de curent, chiar dacă este vară, alimentele din interiorul aparatului pot fi păstrate câteva ore; în timpul căderii de curent, timpul de deschidere a ușii va fi redus și nu se vor mai introduce alimente proaspete în aparat.
- Neutilizare îndelungată: Aparatul trebuie scos din priză și apoi curățat; apoi ușile vor fi lăsate deschise pentru a preveni mirosul.
- Mutare: Înainte de mutarea frigiderului, scoateți toate obiectele, fixați pereții despărțitori de sticlă, suportul pentru legume, sertarele camerei de congelare etc. cu bandă adezivă și strângeți picioarele de nivelare; închideți ușile și fixați-le cu bandă adezivă. În timpul deplasării, aparatul nu trebuie așezat cu capul în jos sau orizontal și nici să fie vibrat; înclinarea în timpul mișcării nu trebuie să fie mai mare de 45°.



Aparatul va funcționa continuu odată ce este pornit. În general, funcționarea aparatului nu trebuie întreruptă; în caz contrar, durata de viață poate fi afectată.

DEPANARE

Puteți încerca să rezolvați singur următoarele probleme simple.

Dacă acestea nu pot fi rezolvate, vă rugăm să contactați departamentul post-vânzare.

Nefuncționare	Verificați dacă aparatul este conectat la curent sau dacă ștecherul este bine în contact Verificați dacă tensiunea este prea scăzută Verificați dacă există o întrerupere a curentului sau s-au declanșat circuite parțiale
Miros	Alimentele mirositoare trebuie să fie etanș împachetate Verificați dacă există alimente stricate Curățați interiorul frigiderului
Funcționare îndelungată a compresorului	Funcționarea îndelungată a frigiderului este normală vara când temperatura ambientală este ridicată Nu este recomandat să aveți prea multă mâncare în aparat în același timp Mâncarea se va răci înainte de a fi introdusă în aparat. Ușile sunt deschise prea des
Becurile nu se aprind	Verificați dacă frigiderul este conectat la sursa de alimentare și dacă lumina de iluminare este deteriorată
Ușile nu se închid rapid	Ușa este blocată de pachetele alimentare. Frigiderul este înclinat
Zgomot	Verificați dacă podeaua este nivelată și dacă frigiderul este așezat stabil Verificați dacă accesoriile sunt amplasate în locuri adecvate
Garnitura ușii nu se închide	Îndepărtați corpurile străine de pe garnitura ușii Încălziți garnitura ușii și apoi răciți-o pentru restaurare (sau suflați-l cu un uscător electric sau folosiți un prosop fierbinte pentru încălzire)
Containerul de apă este plin	Există prea multă mâncare în cameră sau alimentele depozitate conțin prea multă apă, ceea ce duce la o dezghețare puternică Ușile nu sunt închise corespunzător, rezultând îngheț din cauza intrării de aer și creșterea apei din cauza dezghețului
Carcasă fierbinte	Disiparea căldurii condensatorului încorporat prin carcasă, ceea ce este normal. Când carcasa devine fierbinte din cauza temperaturii ambientale ridicate și a depozitării prea multor alimente, se recomandă asigurarea unei ventilații sonore pentru a facilita disiparea căldurii.
Consens pe suprafață	Condensul pe suprafața exterioră și pe garniturile ușilor frigiderului este normal când umiditatea ambientală este prea mare. Doar ștergeți condensul cu un prosop curat.
Zgomot anormal	Bâzâit: compresorul poate produce zgomot în timpul funcționării, iar zgomotul: sunt puternic, în special la pornire sau oprire. Asta este normal. Scârțâit: agentul frigorific care curge în interiorul aparatului poate produce scârțâit, ceea ce este normal.

Fișă cu informații despre produs

REGULAMENTUL DELEGAT (UE) 2019/2016 AL COMISIEI cu privire la etichetarea energetică a aparatelor frigorifice

Denumirea sau marca comercială a furnizorului: Tesla

Adresa furnizorului: Tesla Electronics, Litjiska 47, 1000 Ljubljana, SI

Identificatorul de model: RU2700FM

Tipul de aparat frigorific:

Aparat cu nivel redus de zgomot:	Nu	Tip de proiectare:	de sine stătător
----------------------------------	----	--------------------	------------------

Aparat pentru păstrarea vinului:	Nu	Alt aparat frigorific:	Da
----------------------------------	----	------------------------	----

Parametrii generali ai produsului:

Parametru	Valoare	Parametru	Valoare
Dimensiuni globale (milimetri)	Înălțime	Volum total (dm ³ sau l)	273
	Lățime		
	Adâncime		
EEL	100	Clasa de eficiență energetică	E
Emisii acustice în aer [dB(A) re 1 pW]	41	Clasa emisiilor de zgomot transmis prin aer	C
Consumul anual de energie (kWh/a)	245	Clasa climatică:	temperatură extinsă, temperatură, subtropicală, tropicală
Temperatura ambiantă minimă (°C) pentru care este adecvat aparatul frigorific	10	Temperatura ambiantă maximă (°C) pentru care este adecvat aparatul frigorific	43
Reglaj de iarnă	Nu		

Parametri ai compartimentelor:

Tipul de compartiment	Parametrii și valorile compartimentului			
	Volumul compartimentului (dm ³ sau l)	Reglajul recomandat al temperaturii pentru o păstrare optimizată a alimentelor (°C) Aceste reglaje nu trebuie să fie în contra-	Capacitatea de congelare (kg/24h)	Defrosting type (auto-defrost=A, manual defrost=M)

			dicție cu condițiile de depozitare specificate în tabelul 3 din anexa IV		
Cămară	Nu	-	-	-	-
Păstrarea vinului	Nu	-	-	-	-
Cramă	Nu	-	-	-	-
Alimente proaspete	Nu	-	-	-	-
Răcire	Nu	-	-	-	-
Fără stele sau pentru prepararea gheții	Nu	-	-	-	-
1 stele	Nu	-	-	-	-
2 stele	Nu	-	-	-	-
3 stele	Nu	-	-	-	-
4 stele	Nu	-	-	-	-
Secțiune cu 2 stele	Nu	-	-	-	-
Compartiment cu temperatură variabilă	4 stele	259,0	-	12,4	A
Compartiment cu temperatură variabilă	4 stele	14,0	-	-	A
În ceea ce privește compartimentele cu 4 stele					
Funcție de congelare rapidă			Da		
Parametrii sursei de lumină:					
Tipul sursei de lumină			-		
Clasa de eficiență energetică			-		
Durata minimă a garanției oferite de producător: 24 luni					
Informații suplimentare:					
Link către site-ul web al producătorului, unde se găsesc informațiile de la punctul 4 litera (a) din anexa la Regulamentul (UE) 2019/2019 al Comisiei: tesla.info					

Fișă cu informații despre produs

REGULAMENTUL DELEGAT (UE) 2019/2016 AL COMISIEI cu privire la etichetarea energetică a aparatelor frigorifice

Denumirea sau marca comercială a furnizorului: Tesla

Adresa furnizorului: Tesla Electronics, Litjiska 47, 1000 Ljubljana, SI

Identificatorul de model: RU2700FMX

Tipul de aparat frigorific:

Aparat cu nivel redus de zgomot:	Nu	Tip de proiectare:	de sine stătător
----------------------------------	----	--------------------	------------------

Aparat pentru păstrarea vinului:	Nu	Alt aparat frigorific:	Da
----------------------------------	----	------------------------	----

Parametrii generali ai produsului:

Parametru	Valoare	Parametru	Valoare
Dimensiuni globale (milimetri)	Înălțime	Volum total (dm ³ sau l)	273
	Lățime		
	Adâncime		
EEL	100	Clasa de eficiență energetică	E
Emisii acustice în aer [dB(A) re 1 pW]	41	Clasa emisiilor de zgomot transmis prin aer	C
Consumul anual de energie (kWh/a)	245	Clasa climatică:	temperatură extinsă, temperatură, subtropicală, tropicală
Temperatura ambiantă minimă (°C) pentru care este adecvat aparatul frigorific	10	Temperatura ambiantă maximă (°C) pentru care este adecvat aparatul frigorific	43
Reglaj de iarnă	Nu		

Parametri ai compartimentelor:

Tipul de compartiment	Parametrii și valorile compartimentului		
	Volumul compartimentului (dm ³ sau l)	Reglajul recomandat al temperaturii pentru o păstrare optimizată a alimentelor (°C) Aceste reglaje nu trebuie să fie în contra-	Capacitatea de congelare (kg/24h)

			dicție cu condițiile de depozitare specificate în tabelul 3 din anexa IV		
Cămară	Nu	-	-	-	-
Păstrarea vinului	Nu	-	-	-	-
Cramă	Nu	-	-	-	-
Alimente proaspete	Nu	-	-	-	-
Răcire	Nu	-	-	-	-
Fără stele sau pentru prepararea gheții	Nu	-	-	-	-
1 stele	Nu	-	-	-	-
2 stele	Nu	-	-	-	-
3 stele	Nu	-	-	-	-
4 stele	Da	259,0	-18	12,4	A
Secțiune cu 2 stele	Nu	-	-	-	-
Compartiment cu temperatură variabilă	4 stele	14,0	-	-	A
În ceea ce privește compartimentele cu 4 stele					
Funcție de congelare rapidă			Da		
Parametrii sursei de lumină:					
Tipul sursei de lumină			-		
Clasa de eficiență energetică			-		
Durata minimă a garanției oferite de producător: 24 luni					
Informații suplimentare:					
Link către site-ul web al producătorului, unde se găsesc informațiile de la punctul 4 litera (a) din anexa la Regulamentul (UE) 2019/2019 al Comisiei: tesla.info					

OPOZORILA GLEDE VARNOSTI

OPOZORILO:



Opozorilo: tveganje požara/vnetljive snovi

PRIPOROČILA:

- Ta gospodinjski aparat je predviden za uporabo v gospodinjstvu in temu podobnih okoljih, kot so kuhinje za osebje v trgovinah, pisarnah in drugih delovnih okoljih, kmetije ter hoteli, moteli in nastanitve drugih vrst, v katerih je ta aparat na voljo gostom, nastanitve z nočitvijo in zajtrkom ter catering in podobni načini uporabe, ki niso namenjeni prodaji.
 - Če je napajalni kabel poškodovan, ga mora zaradi preprečevanja nevarnosti zamenjati proizvajalec, proizvajalčev pooblaščen servisler ali podobno usposobljena oseba.
 - V tem gospodinjstem aparatu ne shranjujte eksplozivnih snovi, kot so aerosolne pločevinke z vnetljivim potisnim plinom.
 - Ko uporabnik neha uporabljati gospodinjski aparat in preden opravi njegovo vzdrževanje, ga mora odklopiti z napajanja.
 - **OPOZORILO:** Poskrbite, da odprtine za prezračevanje v okrovu aparata ali v vgrajeni strukturi ne bodo zamašene.
 - **OPOZORILO:** Odtaljevanja ne poskušajte pospeševati z mehanskimi napravami ali z drugimi sredstvi, razen s tistimi, ki jih priporoča proizvajalec.
 - **OPOZORILO:** Ne poškodujte krogotoka hladilne tekočine.
 - **OPOZORILO:** V predelkih za shranjevanje živil ne uporabljajte električnih naprav, razen če so takšne vrste, ki jo priporoča proizvajalec.
 - **OPOZORILO:** Aparat odstranite v skladu z lokalnimi predpisi, saj so za njegovo delovanje uporabljeni vnetljivi eksplozivni plini in hladilna tekočina.
 - **OPOZORILO:** Pri nameščanju aparata poskrbite, da napajalni kabel ne bo zagozden ali poškodovan.
 - **OPOZORILO:** Na zadnji strani aparata ne nameščajte prenosnih električnih razdelilnikov z več vtičnicami ali prenosnih napajalnikov.
 - Ne uporabljajte podaljševalnih kablov ali neozemljenih adapterjev (z dvema poloma).
 - **NEVARNOST:** Obstaja tveganje za zaprtje otroka v notranjost aparata. Preden aparat odvržete:
 - Snemite vrata.
 - Police pustite znotraj aparata, tako da otroci ne bodo mogli zlahka splezati vanj.
 - Preden poskušate namestiti dodatno opremo, morate aparat odklopiti z vira električnega napajanja.
 - Hladilna tekočina in penasta snov ciklopentan, ki se uporabljata pri hladilniku, sta vnetljivi. Zato je treba pri uničevanju poskrbeti, da hladilnik ni v bližini nobenega vira ognja in da ni odstranjen s sežiganjem, ampak ga predela posebno podjetje za predelavo, ki ima ustrezne kvalifikacije, tako da ne pride škode za okolje ali kakršne koli druge škode.
 - Pri standardu EN: Ta aparat lahko uporabljajo otroci, stari 8 in več let, ter osebe s telesnimi, senzoričnimi ali duševnimi okvarami ali pa osebe brez izkušenj in znanja, če so pod nadzorom ali pa so jim bila podana navodila za varno uporabo aparata in če razumejo nevarnosti, povezane z njegovo uporabo. Otroci se z aparatom ne smejo igrati. Brez nadzora otroci aparata ne smejo čistiti in ga vzdrževati. Otrokom, stari od 3 do 8 let, je v hladilne aparate dovoljeno dajati živila in jih jemati iz njih.
 - Pri standardu IEC: Ta aparat ni namenjen osebam (vključno z otroki) s telesnimi, senzoričnimi ali duševnimi okvarami ali pa osebam brez izkušenj in znanja, razen če so pod nadzorom osebe, ki je odgovorna za njihovo varnost, ali pa jim je ta oseba podala navodila za uporabo aparata.
 - Da se otroci zagotovo ne bodo igrali z aparatom, jih je treba nadzorovati.
 - V navodilih mora biti podano bistvo naslednjega: da preprečite onesnaženje živil, upoštevajte naslednja navodila:
 - Če vrata dlje časa pustite odprta, se temperatura v predelkih aparata lahko precej zviša.
 - Redno čistite površine, ki so v stiku z živilii, in dostopne odvodne sisteme.
 - Če posod za vodo 48 ur niste uporabljali, jih očistite; če iz aparata 5 dni niste jemali vode, sperite sistem za vodo, priključen na dovod vode. (Opomba 1.)
 - Surovo meso in ribe v hladilniku shranjujte v primernih posodah, tako da ta živila ne pridejo v stik z drugimi ali da z njih ne kaplja na druga živila.
 - Predelki za zamrznjena živila, označeni z dvema zvezdicama [✱ ✱] so primerni za shranjevanje predhodno zamrznjenih živil, shranjevanje ali izdelovanje sladoleda in izdelovanje ledenih kock. (opomba 2)
 - Predelki, označeni z eno [✱], dvema [✱ ✱] in tremi [✱ ✱ ✱] zvezdicami, niso primerni za zamrzovanje svežih živil. (Opomba 3.)
 - Če je bil hladilni aparat dlje časa prazen, ga izklopite, odtalite, očistite in osušite, nato pa vrata pustite odprta, da preprečite nastajanje plesni n njem.
- Opomba 1, 2, 3: preverite, ali se nanaša na vrsto predelka v vašem izdelku.

Pomen simbolov opozoril glede varnosti



To je simbol prepovedi. Če se pojavi kakršna koli neskladnost z navodili, ki so označena s tem simbolom, se lahko izdelek poškoduje ali pa je ogrožena uporabnikova lastna varnost.



To je simbol opozorila. Delovanje mora biti strogo v skladu z navodili, ki so označena s tem simbolom, sicer se lahko izdelek poškoduje ali pa je ogrožena uporabnikova lastna varnost.



To je simbol svarila. Pri navodilih, označenih s tem simbolom, je potrebna posebna previdnost. Zaradi neprevidnosti lahko pride do rahlih ali zmernih telesnih poškodb ali pa poškodb izdelka.

V tem priročniku je veliko pomembnih varnostnih informacij, ki jih morajo uporabniki upoštevati.

Opozorila, povezana z elektriko

- Ko vlečete vtič napajalnega kabla hladilnika iz vtičnice, ne vlecite kabla. Čvrsto primite vtič in ga neposredno izvlecite iz vtičnice.
- Da poskrbite za varno uporabo, napajalnega kabla ne smete poškodovati ali pa ga uporabljati, če je poškodovan ali iztrošen.
- Uporabljajte temu namenjeno napajalno vtičnico, na katero ne smejo biti priklopljeni še drugi aparati. Vtič napajalnega kabla mora biti trdno priključen v vtičnico, sicer lahko pride do požara.
- Poskrbite, da bo ozemljitveni pol napajalne vtičnice priklopljen na zanesljiv ozemljitveni vod.
- Če pušča plin ali drugi vnetljivi plini, izklopite ventil za ta plin ter nato odprite vrata in okna. Hladilnika in drugih električnih aparatov ne odklopite, saj iskra lahko povzroči požar.
- Na vrhu aparata ne uporabljajte električnih naprav, razen če so takšne vrste, ki jo priporoča proizvajalec.

Opozorila glede uporabe

- Hladilnika ne razstavljajte in ne sestavljajte po lastni presoji ter ne poškodujte tokokroga hladilne tekočine; vzdrževanje aparata lahko izvaja le strokovnjak.
- Da preprečite nevarnost, mora poškodovani napajalni kabel zamenjati proizvajalec, njegov oddelek za vzdrževanje ali sorodni strokovnjaki.
- Reže med vrati hladilnika ter med vrati in ohišjem hladilnika so ozke; da preprečite stisnjenje prstov, pazite, da z rokami ne boste posegali v ta območja. Vrata hladilnika odpirajte nežno, da predmeti ne bodo padli ven.
- Da preprečite ozeblino, med delovanjem hladilnika ne jemljite živil ali posod, še posebej kovinskih, iz zamrzovalne komore z vlažnimi rokami.
- Nobenemu otroku ne dovolite, da zleze v hladilnik ali spleza nanj, saj se lahko zaduši ali poškoduje zaradi padca.
- Na vrh hladilnika ne postavljajte težkih predmetov, saj lahko ti pri zapiranju ali odpiranju vrat padejo in lahko pride do nenamernih poškodb.
- Pri izpadu napajanja ali čiščenju izvlecite vtič. Da preprečite poškodbe kompresorja zaradi zaporednih zagonov, počakajte pet minut, preden zamrzovalnik spet priklopite na napajanje.

Opozorila glede postavitve

- Da preprečite poškodbe izdelka ali požar, v hladilnik ne postavljajte vnetljivih, eksplozivnih, hlapnih in močno korozivnih predmetov.
- Da preprečite požar, v bližino hladilnika ne postavljajte vnetljivih predmetov.
- Hladilnik je namenjen uporabi v gospodinjstvu, kot je shranjevanje živil; ne smete ga uporabljati za druge namene, kot je shranjevanje krvi, zdravil ali bioloških zdravil ipd.
- V zamrzovalni komori hladilnika ne shranjujte piva, pijač ali drugih tekočin v steklenicah ali zaprtih posodah, saj te steklenice in posode zaradi zamrzovanja lahko počijo in povzročijo škodo.

Opozorila glede energije

1. Če so hladilni aparati dlje časa v območju s temperaturo, ki je nižja od tiste, za katero so bili zasnovani, lahko začnejo delovati nedosledno (obstaja možnost odtaljevanja vsebine ali previsoke temperature v predelku za zamrznjena živila).
2. V predelkih ali komorah zamrzovalnika živil ali v predelkih ali komorah z nizko temperaturo ne smete shranjevati gaziranih pijač, določenih proizvodov, kot so ledene kocke, pa ne smete uživati, ko so še premrzli.
3. Pri vseh živilih, zlasti pa pri komercialnih živilih, hitro zamrznjenih v zamrzovalniku za živila in v predelkih ali komorah za shranjevanje zamrznjenih živil, se je treba držati rokov shranjevanja, ki jih priporočajo proizvajalci živil.
4. Da pri odtaljevanju hladilnega aparata preprečite pretirano segrevanje zamrznjenih živil, morate izvesti previdnostne ukrepe, kot je zavijanje zamrznjenih živil v več plasti časopisnega papirja.
5. Treba je upoštevati dejstvo, da se zaradi segrevanja zamrznjenih živil med ročnim odtaljevanjem, vzdrževanjem ali čiščenjem rok shranjevanja lahko skrajša.
6. Pri vratih ali pokrovh, na katerih so nameščene ključavnice s ključi, je treba poskrbeti, da ključi ne bodo na dosegu otrok in da ne bodo v bližini hladilnega aparata, tako da se otroci ne bodo mogli zakleniti vanj.

Opozorila glede odstranjevanja



Hladilna tekočina in penasta snov ciklopentan, ki se uporabljata pri hladilniku, sta vnetljivi. Zato je treba pri uničevanju poskrbeti, da hladilnik ni v bližini nobenega vira ognja in da ni odstranjen s sežiganjem, ampak ga predela posebno podjetje za predelavo, ki ima ustrezne kvalifikacije, tako da ne pride škode za okolje ali kakršne koli druge škode.



Pri uničevanju hladilnika razstavite vrata ter z njih odstranite tesnilo in police; vrata in police postavite na primerno mesto, tako da otrokom preprečite zaprtje v hladilnik.



Pravilno odstranjevanje tega izdelka:

Ta oznaka kaže, da tega izdelka nikjer v Evropski uniji ni dovoljeno odlagati skupaj z drugimi gospodinjskimi odpadki. Za preprečitev morebitne škode za okolje ali zdravje ljudi, ki nastane zaradi nenadzorovanega odlaganja v okolju, izdelek odgovorno reciklirajte, da boste spodbujali trajnostno naravnano ponovno uporabo virov surovin. Uporabljeno napravo vrnite prek sistemov za vračanje in zbiranje ali pa se obrnite na prodajalca, pri katerem ste izdelek kupili. Ta izdelek lahko prevzamejo in reciklirajo izdelek na način, ki je varen za okolje.

PRAVILNA UPORABA HLADILNIKA ZA VINO

Postavittev

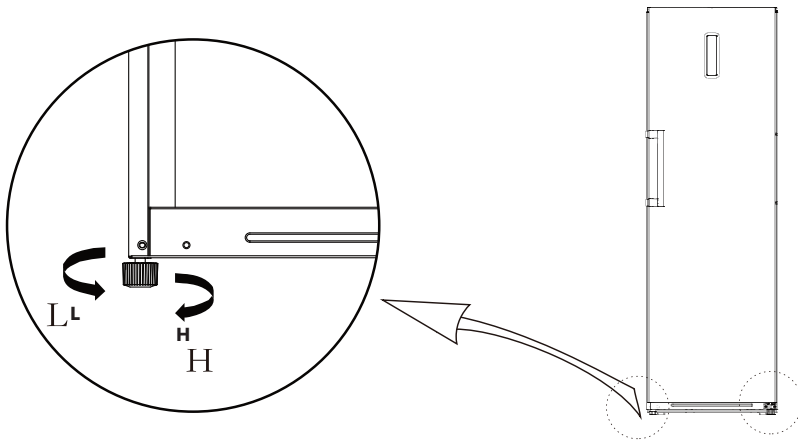
- Pred uporabo odstranite vso embalažo, vključno s spodnjimi blazinicami, blazinicami iz pene in trakovi v notranjosti hladilnika, ter odstranite zaščitno folijo na vratih in ohišju hladilnika.
- Hranite v hladnem prostoru brez neposredne sončne svetlobe. Da preprečite rjavenje ali poslabšanje izolativnosti, zamrzovalnika ne postavljajte v vlažne prostore ali prostore, kjer je polno vode.
- Hladilnika ne pršite in ne spirajte; da ne poslabšate lastnosti električne izolacije hladilnika, ga ne postavljajte v vlažne prostore, kjer ga lahko poškropi voda.
- Hladilnik postavite v dobro prezračen notranji prostor; tla morajo biti ravna in trdna (če je hladilnik nestabilen, kolesce za izravnavanje zavrtite v levo ali v desno).
- Prostor nad hladilnikom mora biti višji od 30 cm, hladilnik pa je treba postaviti ob steno, pri čemer mora zaradi boljšega oddajanja toplote razdalja do stene znašati več kot 10 cm.

Regulacijski nogici

1. Previdnostni ukrepi pred upravljanjem:

Pred upravljanjem dodatne opreme je treba poskrbeti, da je hladilnik izklopljen iz napajanja. Pred prilagajanjem regulacijskih nogic morate izvesti previdnostne ukrepe, da preprečite telesne poškodbe.

2. Shema regulacijskih nogic

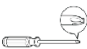

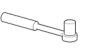



Zgornja slika je namenjena le ponazoritvi. Dejanska postavittev bo odvisna od fizičnega izdelka ali izjave distributerja.

3. Postopki prilagajanja:

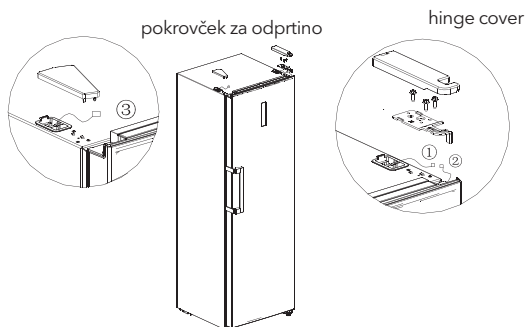
- Da hladilnik dvignete, nogici obrnite v smeri urnega kazalca.
- Da hladilnik znižate, nogici obrnite v nasprotni smeri urnega kazalca.
- Levo in desno nogico po zgornjih postopkih nastavite tako, da bo hladilnik v vodoravnem položaju.

Zamenjava smeri odpiranja vrat

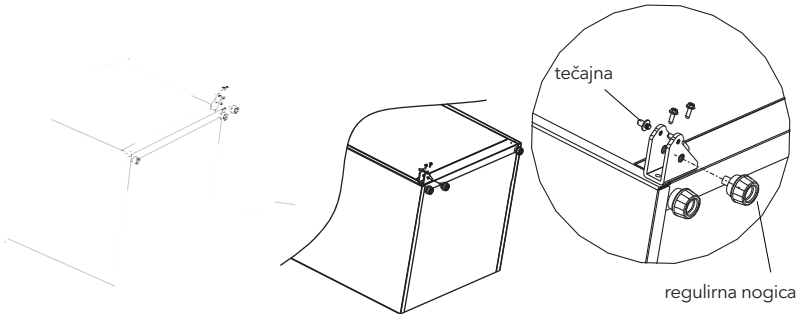
Seznam orodij, ki jih mora priskrbeti uporabnik			
	Križni izvijač		Pleskarska lopatica Ploski izvijač
	5/16" nasadni ključ		Maskirni trak

Deli, ki se uporabljajo pri obračanju vrat			
Številka	Ime	Številka	Opomba
1	Tulec osi zgornjega tečaja	1	Predhodno nameščen na vratih; odstranjen skupaj z vrati in shranjen za nadaljnjo uporabo.
2	Vijak zgornjega tečaja	3	Predhodno nameščen na hladilniku, za uporabo pri zamenjavi vrat.
3	Desni zgornji tečaj	1	Predhodno nameščen na hladilniku; odstranjen, ko so vrata obrnjena, in shranjen za nadaljnjo uporabo.
4	Pokrov desnega zgornjega tečaja	1	Predhodno nameščen na hladilniku; odstranjen, ko so vrata obrnjena, in shranjen za nadaljnjo uporabo.
5	Pokrovček za odprtino	1	Predhodno nameščen na hladilniku, za uporabo pri zamenjavi vrat.
6	Pokrovček pokrova	1	Predhodno nameščen na vratih; odstranjen skupaj z vrati in shranjen za nadaljnjo uporabo.
7	Regulirna nogica	1	Predhodno nameščen na hladilniku, za uporabo pri zamenjavi vrat.
8	Spodnji tečaj omejitnika	1	Predhodno nameščen na hladilniku, za uporabo pri zamenjavi vrat.
9	Vijak spodnjega tečaja	2	Predhodno nameščen na hladilniku, za uporabo pri zamenjavi vrat.
10	Omejilnik	1	Predhodno nameščen na vratih; odstranjen skupaj z vrati in shranjen za nadaljnjo uporabo.
11	Tulec osi spodnjega tečaja	1	Predhodno nameščen na vratih; odstranjen skupaj z vrati in shranjen za nadaljnjo uporabo.
12	Vijak omejitnika	1	Predhodno nameščen na vratih; odstranjen skupaj z vrati in shranjen za nadaljnjo uporabo.
13	Levi zgornji tečaj	1	V priloženi plastični vrečki; vzemite ven, da uporabite pri obračanju vrat.
14	Pokrov levega zgornjega tečaja	1	V priloženi plastični vrečki; vzemite ven, da uporabite pri obračanju vrat.

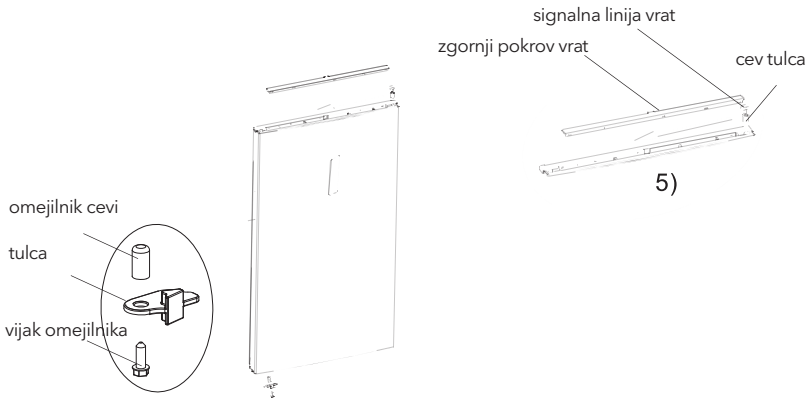
- Izklopite hladilnik in odstranite vse predmete iz polic na vratih.
- Razstavite pokrovčke za odprtine vijakov, vijake in ročaj ter odstranite plastične pokrovčke odprtine za vijake na drugi strani.
- Razstavite pokrov zgornjega tečaja, vijake in zgornji tečaj ter odstranite pokrovček za odprtino na drugi strani. Odklopite priključek na žično napeljavo na desni strani zgornjega dela hladilnika (priključek za žično napeljavo 1, 2).



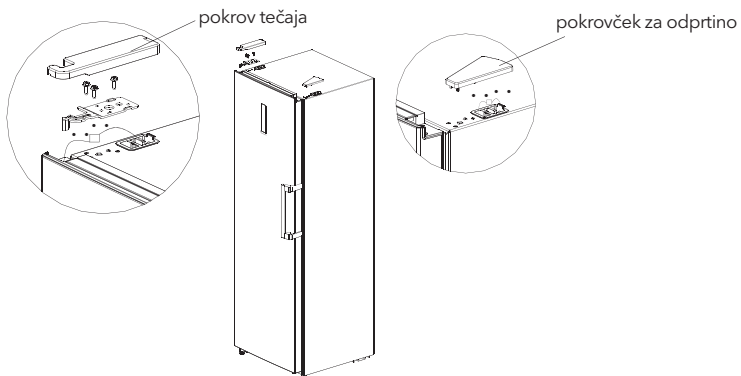
4. Razstavite vrata in sklop desnega spodnjega tečaja (tečajno gred, regulirno nogico in tečaj), razstavite sklop desnega spodnjega tečaja ter sestavite tečajno gred in regulirno nogico na drugi strani tečaja, nato pa sestavite celotni sklop tečaja na drugi strani hladilnika.



5. Odstranite zgornji pokrov vrat, namestite tulec zgornjega tečaja in signalno linijo vrat na drugi strani ter namestite zgornji pokrov vrat. Odstranite omejitni blok in tulec gredi ter ju namestite na drugi strani ohišja vrat.

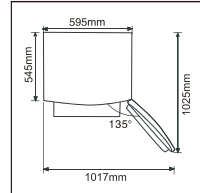


6. Vzemite levi zgornji tečaj in pokrov levega zgornjega tečaja iz embalaže za dodatno opremo, namestite vrata na spodnji tečaj in namestite levi zgornji tečaj. Povežite priključek signalne linije 3 s priključkom signalne linije 2. Povežite priključek signalne linije 1 s priključkom signalne linije 4. Namestite pokrov zgornjega tečaja in pokrovček za odprtino.



Začetek uporabe

- Preden hladilnik prvič zaženete, ga pred priklopom na napajanje pustite, naj pol ure stoji na svojem mestu.
- Preden vanj shranite kakršna koli sveža ali zamrznjena živila, naj najprej 2-3 ure deluje, poleti, ko so temperature okolja višje, pa naj deluje več kot 4 ure.
- Da boste zlahka odpirali vrata in predale, ob hladilniku pustite dovolj praznega prostora.
- Zgornja slika je namenjena le ponazoritvi. Dejanska postavitev bo odvisna od fizičnega izdelka ali izjave distributerja.

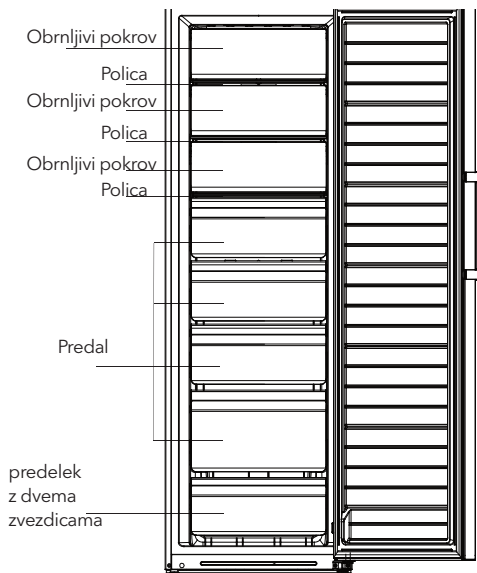


Nasveti za varčevanje z energijo

- Aparat naj bo nameščen v najhladnejšem delu prostora, oddaljen naj bo od aparatov, ki proizvajajo toploto, ali od ogrevalnih kanalov in naj ne bo izpostavljen neposredni sončni svetlobi.
- Preden vroča živila shranite v tem aparatu, naj se najprej ohladijo na sobno temperaturo. Če bo aparat preveč napolnjen, bo kompresor deloval dlje. Živila, ki prepočasi zamrzujejo, lahko postanejo manj kakovostna ali pa se pokvarijo.
- Poskrbite, da jih boste pravilno zapakirali in da boste posode do suhega obrisali, preden boste živila shranili v gospodinjski aparat. Na ta način se znotraj aparata tvori manj ledu.
- Predala aparata ne smete oblagati z aluminijasto folijo, papirjem za peko ali papirnatimi brisačami. Material za oblaganje moti kroženje hladnega zraka, zato je aparat manj učinkovit.
- Da boste manjkrat odpirali vrata in ne boste dolgo iskali, živila organizirajte in jih označite. Vzemite čim več živil naenkrat in čim prej zaprite vrata.

STRUKTURA IN FUNKCIJE

Ključni sestavni deli



Zgornja slika je namenjena le ponazoritvi. Dejanska postavitev bo odvisna od fizičnega izdelka ali izjave distributerja.

Hladilnik

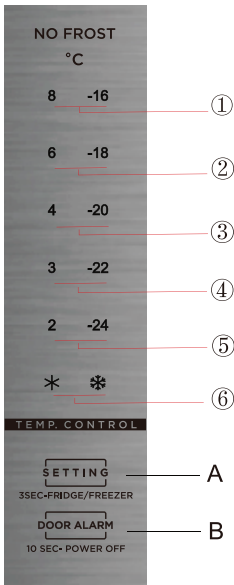
- Hladilna komora je primerna za shranjevanje različnega sadja, zelenjave, pijač in drugih živil, ki jih je treba hitro porabiti.
- Kuhane hrane ne smete shranjevati v hladilni komori, dokler se ne ohladi na sobno temperaturo.
- Pred shranjevanjem v hladilnik je živila priporočljivo zaviti v folijo.
- Višino steklenih polic je mogoče prilagoditi, tako da je velikost prostora za shranjevanje ustrezna, uporaba pa enostavna.

Zamrzovalnik

- V zamrzovalni komori z nizko temperaturo se živila lahko ohranijo dlje, najpogosteje pa se uporablja za shranjevanje zamrznjenih živil in izdelavo ledu.
- Zamrzovalna komora je primerna za shranjevanje mesa, rib, riževih kroglic in drugih živil, za katere ni predvideno, da bodo hitro porabljena.
- Za enostavnejši dostop je treba kose mesa po možnosti narezati na manjše. Ne spreglejte, da je treba živila porabiti do roka uporabnosti.

Opomba: Če med delovanjem po začetnem priklopu na napajanje shranite preveč živil, to lahko negativno vpliva na učinek zamrzovanja pri hladilniku. Shranjena živila ne smejo blokirati izhoda za zrak, sicer to lahko tudi negativno vpliva na učinek zamrzovanja.

Funkcije



1. Tipka

- A. Gumb za nastavitev temperature in gumb za preklap med hladilnikom/zamrzovalnikom
B. Gumb za mirovanje

2. Ikona temperature

1. Nastavitev 1: nastavljena temperatura je 8 °C ali -16 °C.
2. Nastavitev 2: nastavljena temperatura je 6 °C ali -18 °C.
3. Nastavitev 3: nastavljena temperatura je 4 °C ali -20 °C.
4. Nastavitev 4: nastavljena temperatura je 3 °C ali -22 °C.
5. Nastavitev 5: nastavljena temperatura je 2 °C ali -24 °C.
6. Nastavitev 6: hitro ohlajanje ali zamrzovanje.

Zgornja slika je namenjena le ponazoritvi. Dejanska postavitve bo odvisna od fizičnega izdelka ali izjave distributerja.

3. Ko je napajanje hladilnika vklopljeno:

Vse ikone temperature zasvetijo 3 sekunde po prvem vklopu napajanja; privzeta nastavitve temperature je -20°C.

Po tem bo hladilnik ob vsakem vklopu deloval v skladu s temperaturo, ki je bila nastavljena pred zadnjim izklopom napajanja.

4. Opozorilo o odpiranju in nadzor alarma:

Ob odpiranju vrat ni nobenega tona za poziv, obstaja pa ton alarma za odprta vrata: ko vrata hladilnika več kot dve minuti po tem, ko so bila odprta, še niso zaprta, se bo oglasilo brenčalo in piskalo, dokler vrata ne bodo zaprta. Za preklic alarma brenčala pritisnite gumb B. Priporočeno je pravočasno zapreti vrata.

Prikaz normalnega delovanja

Če pride do napake, bodo ustrezne ikone kombinirano utripale: kode in vrste napak so prikazane v nadaljevanju.

Hladilnik:

Koda napake	Opis napake	Prikaz
E1	Napaka senzorja temperature v prostoru hladilnika	Ikona "❄" in ikona "2" svetita hkrati.
E5	Napaka senzorja odtaljevanja v prostoru hladilnika	Ikona "❄" in ikona "3" svetita hkrati.
E6	Napaka komunikacije	Ikona "2" in ikona "4" svetita hkrati.
E7	Napaka senzorja za temperaturo okolja	Ikona "❄" in ikona "4" svetita hkrati.
E10	Težava zalepljenega gumba	Ikona "2" in ikona "3" svetita hkrati.

Zamrzovalnik:

Koda napake	Opis napake	Prikaz
E1	Napaka senzorja temperature v prostoru zamrzovalnika	Ikona "❄" in ikona "-24" svetita hkrati.
E5	Napaka senzorja odtaljevanja v prostoru zamrzovalnika	Ikona "❄" in ikona "-22" svetita hkrati.
E6	Napaka komunikacije	Ikona "-24" in ikona "-20" svetita hkrati.
E7	Napaka senzorja za temperaturo okolja	Ikona "❄" in ikona "-20" svetita hkrati.
E9	Alarm za visoko temperaturo v zamrzovalni komori	Ikona "-24" in ikona "-18" svetita hkrati.
E10	Težava zalepljenega gumba	Ikona "-24" in ikona "-22" svetita hkrati.

Ne napake ni, je na zaslonu prikazana nastavljena temperatura v prostoru hladilnika.

Pretvorba hladilnika/zamrzovalnika

Gumb  držite pritisnjen 3 sekunde, da dosežete pretvorbo hladilnika/zamrzovalnika; svetijo ikone ustreznih temperatur.

Funkcija mirovanja

Da nastavite funkcijo mirovanja, gumb  držite pritisnjen dolgo - 10 sekund.

Nastavitev temperature

Nastavitev temperature se bo spremenila, ko boste pritisnili gumb (). Nato bo hladilnik po 15 sekundah deloval v skladu z novo nastavitvijo temperature.



Način hitrega ohlajanja

Vstop: v načinu hladilnika pritisnite in držite gumb () dokler ne zasveti ikona ❄.

V načinu hitrega ohlajanja hladilnik deluje v skladu s temperaturo, nastavljeno na 2 °C, ta način pa bo samodejno zapustil po 150 minutah delovanja ali po nastavitvi temperature ali načina.

Način hitrega zamrzovanja

Vstop: v načinu zamrzovalnika pritisnite in držite gumb () dokler ne zasveti ikona ❄.

V načinu hitrega zamrzovanja zamrzovalnik deluje v skladu s temperaturo, nastavljeno na 2 °C, ta način pa bo samodejno zapustil po 24 urah delovanja ali po nastavitvi temperature ali načina.

VZDRŽEVANJE IN NEGA APARATA

Splošno čiščenje

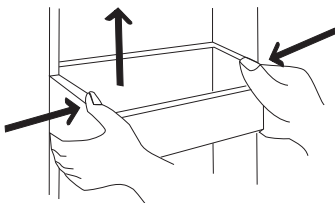
- Za večji učinek hlajenja in varčevanje z energijo je treba prah za zamrzovalno omaro in na tleh redno čistiti.
- Redno preverjajte tesnilo na vratih, da se na njem ne bo nabirala umazanija. Tesnilo na vratih očistite z mehko krpo, namočeno v milnico ali razredčeni detergent.
- Da preprečite neprijetne vonjave, morate redno čistiti tudi notranjost hladilnika.
- Pred čiščenjem notranjosti izklopite napajanje ter odstranite vsa živila, pijače, police, predale itd.
- Notranjost hladilnika očistite z mehko krpo ali gobo, namočeno v mešanico dveh čajnih žličk sode bikarbone in četrta litra tople vode. Nato izplaknite z vodo in do čistega obrišite. Po čiščenju odprite vrata in pustite, da se notranjost osuši na zraku, preden znova vklopite napajanje.
- Območja, ki jih je težko očistiti (ozke prostore, reže ali kote), je priporočljivo redno brisati z mehko krpo, mehko krtačko itd., po potrebi pa z dodatnimi pripomočki (kot so tanke paličice), da se v njih ne bodo nabirala onesnaževala ali bakterije.
- Ne uporabljajte mil, detergentov, abrazivnih praškov za čiščenje, sredstev za čiščenje v obliki razpršila, saj lahko v notranjosti hladilnika pustijo neprijetne vonjave ali onesnažijo živila.
- Držalo za steklenice, police in predale očistite z mehko krpo, namočeno v milnico ali razredčeni detergent. Obrišite z mehko krpo ali pa pustite, da se posuši na zraku.
- Zunanjo površino hladilnika očistite z mehko krpo, namočeno v milnico, detergent itd., nato pa jo obrišite do suhega.
- Ne uporabljajte trdih krtač, jeklenih gobic za čiščenje, žičnih krtač, abrazivnih sredstev (kot je zobna pasta), organskih topil (kot je alkohol, aceton, bananino olje itd.), vrele vode ali pa kislinskih ali alkalnih sredstev, ki lahko poškodujejo površino in notranjost hladilnika. Z vrelo vodo in organskimi topili, kot je benzen, se plastični deli lahko deformirajo ali poškodujejo.
- Med čiščenjem ne izplakujte neposredno z vodo ali drugimi tekočinami, da preprečite kratke stike ali poškodbe električne izolacije, ki bi nastale med prelitjem z vodo.



Pri odtaljevanju in čiščenju izklopite hladilnik iz napajanja.

Čiščenje police na vratih ter predalčka in predala za sadje in zelenjavo

- V skladu s smerno puščico na spodnji sliki z obema rokama pritisnite polico in jo potisnite navzgor, nato pa jo lahko izvlečete.
- Ko izvlečeno polico očistite, lahko višino, na katero jo boste namestili, prilagodite, kot vam ustreza. Za čiščenje so priporočene mehke kuhinjske krpe ali čistilne gobice, namočene v vodo in nekorozivni nevtralni detergent. Zamrzovalnik na koncu očistite s čisto vodo in suho krpo. Preden znova vklopite napajanje, pustite vrata odprta, da se notranjost naravno osuši. Pri čiščenju hladilnika ne uporabljajte trdih krtač, jeklenih gobic za čiščenje, žičnih krtač, abrazivnih sredstev (kot je zobna pasta), organskih topil (kot je alkohol, aceton, bananino olje itd.), vrele vode ali pa kislinskih ali alkalnih sredstev, saj lahko poškodujejo površino in notranjost hladilnika.



Zgornja slika je namenjena le ponazoritvi. Dejanska postavitev bo odvisna od fizičnega izdelka ali izjave distributerja.

Čiščenje steklenih polic

- Ker je na najglobljem delu obloge hladilnika pri stiku s policami zapora, morate police dvigniti, preden jih lahko izvlečete.
- Police namestite ali očistite glede na potrebe.
Za čiščenje so priporočene mehke kuhinjske krpe ali čistilne gobice, namočene v vodo in nekorozivni nevtralni detergent. Zamrzovalnik na koncu očistite s čisto vodo in suho krpo. Preden znova vklopite napajanje, pustite vrata odprta, da se notranjost naravno osuši.
Pri čiščenju hladilnika ne uporabljajte trdih krtač, jeklenih gobic za čiščenje, žičnih krtač, abrazivnih sredstev (kot je zobna pasta), organskih topil (kot je alkohol, aceton, bananino olje itd.), vrele vode ali pa kislinskih ali alkalnih sredstev, saj lahko poškodujejo površino in notranjost hladilnika.

Odtaljevanje

- Hladilnik je izdelan po načelu hlajenja zraka in ima zato funkcijo samodejnega odtaljevanja. Led, ki se nabere med spremembami letnih časov ali temperature, je mogoče očistiti tudi ročno, tako da aparat izklopite iz napajanja ali pa ga obrišete s suho krpo.

Nedelovanje aparata

- Izpad napajanja: Če pride do izpada napajanja, je mogoče živila v notranjosti aparata hraniti več ur, tudi če je poletje; med izpadom napajanja morate paziti na to, da vrata odpirate manjkrat in da v aparat ne dajete novih svežih živil.
- Dolgotrajna neuporaba: Aparat morate izključiti iz napajanja in ga nato očistiti ter pustiti vrata odprta, da preprečite neprijetne vonjave.
- Premikanje: Pred premikanjem hladilnika iz njega odstranite vse predmete, steklene dele, predelek za zelenjavo, predale zamrzovalne komore in drugo pa pritrdite z lepilnim trakom; pričvrstite regulacijski nogici, zaprite vrata in jih zalepite z lepilnim trakom. Med premikanjem aparata ne smete obračati, ga polagati vodoravno ali tresti; naklon med premikanjem ne sme znašati več kot 45°.



Ko je aparat zagnan, mora delovati neprekinjeno. V splošnem delovanja aparata ne smete prekinjati, sicer se njegova življenjska doba lahko skrajša.

ODPRAVLJANJE TEŽAV

Naslednje enostavne težave lahko poskusite odpraviti sami.
Če jih ne morete odpraviti, se obrnite na prodajni oddelek.

Aparat ne deluje.	Preverite, ali je aparat priključen na napajanje in ali je stik vtiča dober. Preverite, ali je napetost prenizka. Preverite, ali je prišlo do izpada napajanja ali prekinitev pri določenih tokokrogih.
Neprijetne vonjave	Živila neprijetnih vonjav morate dobro zaviti. Preverite, ali kakšno živilo gnije. Očistite notranjost hladilnika.
Dolgotrajno delovanje kompresorja	Poleti, ko so temperature visoke, je dolgotrajno delovanje hladilnika običajno. V aparatu ni priporočljivo sočasno shranjevati velike količine živil. Živila je treba pred shranjevanjem v aparatu ohladiti. Vrata se prepogosto odpirajo.
Sijalka ne sveti.	Preverite, ali je hladilnik priključen na napajanje in ali je sijalka poškodovana. Sijalko naj zamenja strokovnjak.
Vrat ni mogoče pravilno zapreti.	Vrata ovirajo paketi živil. Hladilnik je nagljen.
Glasi hrup	Preverite, ali so tla ravna in ali je hladilnik stabilno nameščen. Preverite, ali je dodatna oprema nameščena na ustreznih mestih.
Zdi se, da tesnilo vrat ne tesni.	Odstranite tujke na tesnilu vrat. Tesnilo vrat segrejte in ga nato ohladite, da se vrne v prejšnjo obliko (segrejte jo z električnim fenom ali z vročo brisačo).
Prelivanje iz posode za vodo	V komori je preveč živil ali pa shranjena živila vsebujejo preveč vode, zaradi česar prihaja do precejšnjega odtaljevanja. Vrata niso pravilno zaprta, zato zaradi vstopa zraka prihaja do zamrzovanja, zaradi odtaljevanja pa je povečana količina vode.
Vroče ohišje	Prihaja do oddajanja toplote vgrajenega kondenzatorja prek ohišja, kar je običajen pojav. Ko se ohišje zaradi visoke temperature okolja in shranjevanja prevelike količine živil segreje, je zaradi boljšega oddajanja toplote priporočljivo neprekinjeno prezračevanje.
Kondenzacija na površini	Ko je vlažnost zraka v okolju previsoka, je običajen pojav kondenzacija na zunanjih površinah in tesnilih vrat hladilnika. Kondenzat obrišite s čisto krpo.
Nenormalen hrup	Brenčanje: Kompresor med delovanjem lahko brenči; brenčanje je še zlasti glasno ob začetku in koncu delovanja. To je običajno. Škripanje: Hladilno sredstvo, ki teče po notranjosti aparata, lahko povzroča škripanje, kar je običajno.

List z informacijami o izdelku

DELEGIRANA UREDBA KOMISIJE (EU) 2019/2016 v glede označevanja hladilnih aparatov z energijskimi nalepkami

Ime dobavitelja ali blagovna znamka: Tesla

Naslov dobavitelja: Tesla Electronics, Litjska 47, 1000 Ljubljana, SI

Identifikator modela: RU2700FM

Vrsta hladilne naprave:

Aparat s tihim delovanjem:	ne.	Vrsta zasnove:	prostostoječi.
Aparat za shranjevanje vina:	ne.	Drugi hladilni aparati:	da.

Splošni parametri izdelka:

Parameter		Vrednost	Parameter	Vrednost
Mere celote (v milimetrih)	Višina	1 850	Skupna prostornina (dm ³ ali l)	273
	Širina	595		
	Globina	618		
EEI		100	Razred energijske učinkovitosti	E
Razred emisij akustičnega hrupa, ki se prenaša po zraku (dB(A) re 1 pW)		41	Razred emisij akustičnega hrupa, ki se prenaša po zraku	C
Letna poraba energije (v kWh/leto)		245	Klimatski razred:	razširjeni zmerni podnebni pas zmerni podnebni pas, subtropski podnebni pas, tropski podnebni pas
Najnižja temperatura okolja (°C), za katero je hladilni aparat primeren.		10	Najvišja temperatura okolja (°C), za katero je hladilni aparat primeren.	43
Zimska nastavitvev		Ne		

Parametri predelka:

Vrsta predelka	Parametri in vrednosti predelka			
	Prostornina predelka (dm ³ ali l)	Priporočena nastavitvev temperature za optimalno shranjevanje živil (°C) Te nastavitve ne smejo biti v nasprotju s pogoji shranjevanja, navedenimi v tabeli 3 v prilogi IV.	Zmogljivost zamrzovanja (kg/24 ur)	Vrsta odtaljevanja (samodejno odtaljevanje = A, ročno odtaljevanje = M)

Shramba	Ne	-	-	-	-
Shranjevanje vina	Ne	-	-	-	-
Klet	Ne	-	-	-	-
Sveža živila	Ne	-	-	-	-
Ohlajanje	Ne	-	-	-	-
0 zvezdic ali izdelava ledu	Ne	-	-	-	-
1 zvezdica	Ne	-	-	-	-
2 zvezdici	Ne	-	-	-	-
3 zvezdice	Ne	-	-	-	-
4 zvezdice	Ne	-	-	-	-
Predelek z 2 zvezdicama	Ne	-	-	-	-
Predelek s spremenljivo temperaturo	4 zvezdice	259,0	-	12,4	A
Predelek s spremenljivo temperaturo	4 zvezdice	14,0	-	-	A
Za predelke s 4 zvezdicami					
Funkcija hitrega zamrzovanja			Da		
Parametri vira svetlobe:					
Vrsta vira svetlobe			-		
Razred energijske učinkovitosti			-		
Najkrajše trajanje jamstva, ki ga nudi proizvajalec: 24 mesecev.					
Dodatne informacije:					
Povezava na spletno mesto dobavitelja, kjer so informacije iz točke 4 Priloge II Uredbe Komisije (EU) 2019/2019: tesla.info.					

UPOZORENJA O BEZBEDNOSTI

UPOZORENJE:



Upozorenje: rizik od požara / zapaljivi materijali

PREPORUKE:

- Ovaj uređaj je namenjen za upotrebu u domaćinstvu i sličnom okruženju kao što su kuhinje, za osoblje u prodavnicama, kancelarijama i drugom radnom okruženju; seoskim kućama, hotelima, motelima i drugim stambenim okruženjima; u objektima koji pružaju uslugu noćenja s doručkom; kateringa i sličnih usluga koje nisu vezane za maloprodaju.
- Ukoliko je kabl za napajanje oštećen, mora ga zameniti proizvođač, ovlašćeni serviser ili osobe sa sličnim kvalifikacijama kako bi se izbegla opasnost.
- Ne čuvajte eksplozivne supstance kao što su aerosol konzerve sa zapaljivim pogonom u ovom uređaju.
- Uređaj mora biti isključen iz struje nakon upotrebe i pre njegovog korisničkog održavanja.
- **UPOZORENJE:** Vodite računa da otvori za ventilaciju u kućištu uređaja ili u ugrađenoj strukturi uvek budu slobodni od prepreka.
- **UPOZORENJE:** Ne koristite mehaničke uređaje ili druge metode kako biste ubrzali proces odmrzavanja, osim onih preporučenih od strane proizvođača.
- **UPOZORENJE:** Ne oštećujte instalacije za rashladno sredstvo.
- **UPOZORENJE:** Uređaj odložite u skladu sa lokalnim propisima jer se za njegov rad upotrebljavaju zapaljivi eksplozivni gas i rashladno sredstvo.
- **UPOZORENJE:** Ne koristite električne aparate unutar odeljaka za čuvanje hrane uređaja, osim ako su preporučeni od strane proizvođača.
- **UPOZORENJE:** Prilikom postavljanja uređaja, osigurajte da napojni kabl nije pritisnut ili oštećen.
- **UPOZORENJE:** Nemojte postavljati prenosive produžne kablove sa više utičnica ili prenosive akumulatore iza uređaja.
- NE upotrebljavajte produžne kablove ili neuzemljene (sa dva kraka) adaptere.
- **OPASNOST:** Rizik od zatvaranja dece u uređaju.
Pre nego što odložite uređaj:
 - Skinite vrata.
 - Ostavite police unutar uređaja kako deca ne bi mogla lako ući unutra.
- Uređaj mora biti isključen iz izvora električne energije pre nego što pokušate instalaciju nekog pratećeg elementa.
- Rashladno sredstvo i penasti materijal ciklopentan koji se koristi za hlađenje su zapaljivi. Stoga, kada se frižider odbacuje, treba ga držati podalje od izvora vatre i umesto da ga odložite sagorevanjem, predajte ga specijalizovanoj firmi za reciklažu sa odgovarajućim kvalifikacijama, kako bi se sprečili štetni efekti po životnu sredinu ili sredini ili druge opasnosti.
- Prema EN standardu: Ovaj uređaj mogu koristiti deca uzrasta od 8 godina i stariji, kao i osobe sa smanjenim fizičkim, senzornim ili mentalnim sposobnostima ili nedostatkom iskustva i znanja, ukoliko su im pruženi nadzor ili upute o sigurnoj upotrebi uređaja i razumeju rizike koji su uključeni. Deca ne smeju da se igraju sa uređajem. Deca ne smeju da obavljaju čišćenje i korisničko održavanje bez nadzor. Deca uzrasta od 3 do 8 godina smeju da stavljaju ili uzimaju namirnice iz rashladnih uređaja.
- Prema IEC standardu: Ovaj uređaj nije namenjen za upotrebu osobama (uključujući decu) sa smanjenim fizičkim, senzornim ili mentalnim sposobnostima, ili nedostatkom iskustva i znanja, osim ako su im pružene upute ili nadzor od strane osobe odgovorne za njihovu bezbednost.
- Deca treba da budu pod nadzorom kako bi se osiguralo da se ne igraju sa uređajem.
- U uputstvima treba da budu sadržane sledeće tačke: Da biste izbegli kontaminaciju hrane, molimo vas da poštuju sledeće instrukcije
 - Dugotrajno otvaranje vrata može uzrokovati značajan porast temperature u odeljcima uređaja.
 - Redovno čistite površine koje dolaze u dodir sa hranom i dostupne sisteme za odvod vode.
 - Očistite rezervoare za vodu ako nisu korišćeni 48 sati; isperite sistem za vodu povezan sa dovodom vode ako voda nije korišćena 5 dana. (napomena 1)
 - Čuvajte sirovu meso i ribu u odgovarajućim posudama u frižideru, tako da ne dolazi u kontakt ili da ne kaplju na drugu hranu.
 - Odeljci za zamrzavanje označeni sa dve zvezdice (❄️❄️) pogodni su za čuvanje prethodno zamrznute hrane, skladištenje ili pravljenje sladoleda i pravljenje kockica leda. (napomena 2)
 - Odeljci označeni sa jednom (❄️), dve (❄️❄️) i tri (❄️❄️❄️) zvezdice nisu pogodni za zamrzavanje sveže hrane. (napomena 3)
 - Ako se rashladni uređaj ostavi prazan tokom dužeg perioda, isključite ga, odmrzните, očistite, osušite i ostavite vrata otvorenim kako biste sprečili razvoj plesni unutar uređaja.

Napomena 1, 2, 3: Molimo potvrdite da li je primenljivo u skladu sa tipom odeljka vašeg proizvoda.

Značenje simbola upozorenja na sigurnost:



Ovo je simbol zabrane. Svako nepoštovanje instrukcija označenih ovim simbolom može rezultirati oštećenjem proizvoda ili ugrožavanjem lične sigurnosti korisnika.



Ovo je simbol upozorenja. Potrebno je strogo poštovati upute označene ovim simbolom; inače može doći do oštećenja proizvoda ili povreda lične sigurnosti.



Ovo je simbol opreza. Uputstva označena ovim simbolom zahtevaju poseban oprez. Nedovoljan oprez može rezultirati blagim ili umerenim povredama ili oštećenjem proizvoda.

Ovaj priručnik sadrži mnogo važnih informacija o sigurnosti koje korisnici treba da poštuju.

Upozorenja vezana za električnu energiju

- Ne povlačite strujni kabl kada izvlačite utikač frižidera. Čvrsto uhvatite utikač i izvucite ga direktno iz utičnice.
- Da biste osigurali sigurnu upotrebu, nemojte oštetiti strujni kabl ili ga koristiti ako je oštećen ili istrošen.
- Koristite posebnu utičnicu za struju. Utičnica za struju ne sme se deliti sa drugim električnim uređajima. Utikač za napajanje mora biti čvrsto u kontaktu sa utičnicom, inače može izazvati požar.
- Proverite da li je elektroda za uzemljenje utičnice za struju opremljena pouzdanim kablom za uzemljenje.
- Zatvorite ventil za curenje gasa, a zatim otvorite vrata i prozore u slučaju curenja gasa i drugih zapaljivih gasova. Nemojte isključivati frižider i druge električne aparate jer iskra može izazvati požar.
- Ne koristite električne aparate na vrhu uređaja, osim ako su preporučeni od strane proizvođača.

Upozorenja za upotrebu

- Ne rastavljajte ili ne rekonstruišite frižider proizvoljno, niti oštetiti krug rashladnog sredstva; održavanje uređaja mora izvoditi stručnjak.
- Oštećeni strujni kabl mora zameniti proizvođač, ovlašćeni serviser ili odgovarajući stručnjak, kako bi se izbegla opasnost.
- Prostor između vrata frižidera i između vrata i tela frižidera su mali, obratite pažnju da ne stavljate ruku u te oblasti kako ne biste prikleštili. Budite pažljivi prilikom otvaranja vrata frižidera kako biste izbegli obaranje predmeta.
- Ne uzimajte hranu ili posude vlažnim rukama iz zamrzivača dok frižider radi, posebno metalne posude, kako biste izbegli ozeblina.
- Ne dozvolite deci da ulaze ili se penju na frižider; kako ne bi došlo do gušenja ili povrede usled pada deteta.
- Ne stavljajte teške predmete na vrh frižidera, imajući u vidu da se predmeti mogu srušiti prilikom otvaranja ili zatvaranja vrata, što može uzrokovati slučajne povrede.
- Molimo vas da izvadite utikač iz utičnice u slučaju nestanka struje ili prilikom čišćenja. Ne povezujte zamrzivač na napajanje u roku od pet minuta nakon isključivanja, kako biste sprečili oštećenje kompresora usled uzastopnih pokretanja.

Upozorenja za postavljanje

- Ne stavljajte zapaljive, eksplozivne, lako isparljive i veoma korozivne predmete u frižider kako biste sprečili oštećenje proizvoda ili požar.
- Ne postavljajte zapaljive predmete blizu frižidera kako biste izbegli požare.
- Frižider je namenjen za kućnu upotrebu, kao što je skladištenje hrane; ne sme se koristiti u druge svrhe, kao što je skladištenje krvi, lekova ili bioloških proizvoda, itd.
- Ne čuvajte pivo, napitke ili druge tečnosti sadržane u bocama ili limenkama u zamrzivačkom odeljku frižidera, mogu pući usled smrzavanja i izazvati oštećenje.

Upozorenja vezana za energiju

1. Uređaji za hlađenje se mogu ponašati neujednačeno (mogućnost odmrzavanja sadržaja ili porasta temperature u zamrznutom odeljku) ako su tokom dužeg vremenskog perioda postavljeni ispod donjeg kraja opsega temperatura za koje je uređaj za hlađenje dizajniran.
2. Gazirani napici ne bi trebalo da se čuvaju u odeljcima za zamrzavanje ili ormarićima za hranu, kao ni u odeljcima ili kabinetima sa niskim temperaturama. Proizvodi poput ledena voda ne bi trebalo da se konzumiraju prehladni.
3. Ne prekoračujte preporučeno vreme čuvanja koje su naveli proizvođači hrane za bilo koji tip hrane, a posebno za komercijalno brzo zamrznutu hranu u odeljcima ili kabinetima za zamrzavanje hrane.
4. Preduzeti mere kako bi se sprečilo prekomerno povećanje temperature zamrznute hrane tokom odmrzavanja uređaja za hlađenje, kao što je zamotavanje zamrznute hrane u nekoliko slojeva novina.
5. Vodite računa o tome da porast temperature zamrznute hrane tokom ručnog odmrzavanja, održavanja ili čišćenja može skratiti rok trajanja.
6. Kod vrata ili poklopaca opremljenih bravama i ključevima, ključeve čuvajte van domašaja dece i ne u blizini uređaja za hlađenje, kako bi se sprečilo da deca budu zaključana unutra.

Upozorenja za odlaganje



Rashladni gas i penasti materijal na bazi ciklopentana koji se koriste za frižider su zapaljivi. Zbog toga, kada se frižider odbaci, treba ga držati dalje od svih izvora vatre i predati specijalizovanoj firmi za reciklažu koja ima odgovarajuće kvalifikacije, umesto da se odlaže spaljivanjem, kako bi se sprečili štetni efekti po životnu sredinu ili sredini ili druge opasnosti.



Kada se frižider odbaci, rastavite vrata, skinite brtvu sa vrata i police; postavite vrata i police na odgovarajuće mesto, kako biste sprečili da se dete ne zarobi.



Ispravno odlaganje ovog proizvoda:

Ova oznaka ukazuje na to da ovaj proizvod ne bi trebalo da se odbacuje zajedno sa ostalim kućnim otpadom u celoj EU. Kako biste sprečili moguću štetu za životnu sredinu ili ljudsko zdravlje usled neskontrolisanog odlaganja otpada, odložite ga odgovorno kako biste podstakli održivu ponovnu upotrebu materijalnih resursa. Da biste vratili svoj korišćeni uređaj, koristite sisteme za povraćaj i prikupljanje ili kontaktirajte prodavnicu gde ste kupili proizvod. Oni mogu preuzeti proizvod radi ekološki sigurne reciklaže.

PRAVILNA UPOTREBA FRIŽIDERA

Postavljanje

- Pre upotrebe, uklonite sve ambalažne materijale, uključujući donje jastučice, penaste podloške i trake unutar frižidera; skinite zaštitnu foliju sa vrata i tela frižidera.
- Držite dalje od izvora toplote i izbegavajte direktnu sunčevu svetlost. Ne postavljajte zamrzivač na vlažnim ili vodenim mestima kako biste sprečili rdanje ili smanjenje izolacionog efekta.
- Ne prskajte i ne perite frižider; nemojte postavljati frižider na vlažna mesta koja su sklona prskanju vodom kako ne bi uticali na električne izolacione osobine frižidera.
- Frižider se postavlja u dobro provetrenu unutrašnju prostoriju; podloga treba da bude ravna i čvrsta (rotirajte levo ili desno da biste izravnali točkove ako je nestabilno).
- Gornji prostor frižidera treba da bude veći od 30 cm, a frižider treba postaviti uz zid sa slobodnom udaljenošću većom od 10 cm kako bi se omogućila rasipanje toplote.

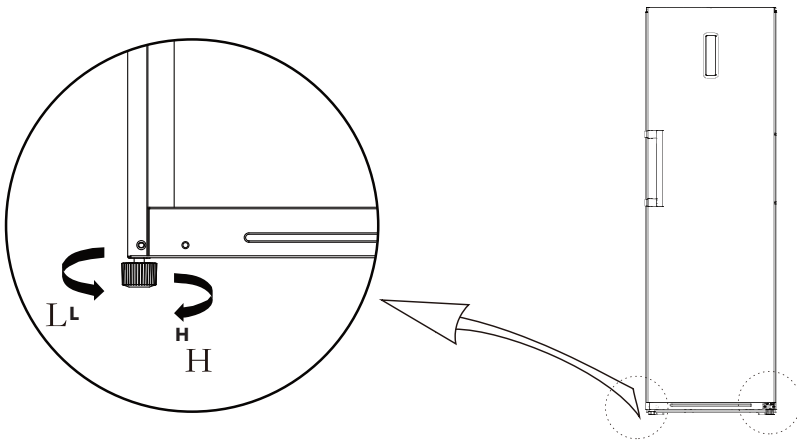
Nivelisanje nožica

1. Mere opreza pre upotrebe:

Pre korišćenja dodatka treba se uveriti da je frižider isključen iz struje.

Pre nivelacije nožica, treba preduzeti mere opreza kako bi se sprečile povrede.

2. Šematski diagram nivelacije nožica

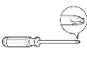





Slika iznad je samo za referencu. Stvarna konfiguracija će zavisi od fizičkog proizvoda ili izjave distributera.

3. Postupak podešavanja:

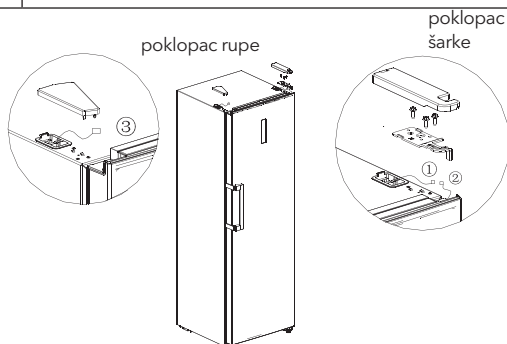
- Okrećite nožice u smeru kazaljke na satu kako biste podigli frižider;
- Okrećite nožice suprotno od smera kazaljke na satu kako biste spustili frižider;
- Podešavajte desne i leve točkove prema gore navedenim postupcima kako biste postigli horizontalnu nivelaciju.

Promena smeru otvaranja vrata levo-desno

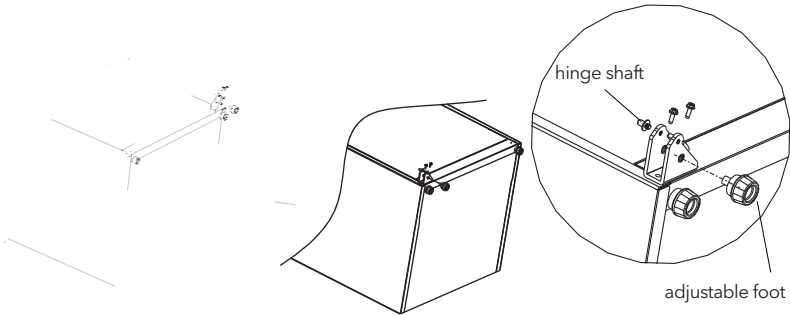
Lista potrebnog alata			
	Krstasti šrafciğer		Špakla Šrafciğer sa tankim vrhom
	Nasadni ključ od 5/16"		Krep traka

Delovi koji će se koristiti za promenu smeru otvaranja vrata			
Broj	Naziv	Broj	Napomena
1	Gornji držač osovine šarke	1	Unapred instalirano na vratima, uklonjeno prilikom menjanja smeru otvaranja vrata i sačuvano za buduću upotrebu
2	Šaraf za gornji držač šarke	3	Unapred instalirano na frižideru i koristi se prilikom menjanja smeru otvaranja vrata
3	Desni gornji držač šarke	1	Unapred instalirano na frižideru, uklonjeno prilikom promene smeru otvaranja vrata i sačuvano za buduću upotrebu.
4	Poklopac desnog gornjeg držača šarke	1	Unapred instalirano na frižideru, uklonjeno prilikom promene smeru otvaranja vrata i sačuvano za buduću upotrebu.
5	Poklopac rupe	1	Unapred instalirano na frižideru i koristi se prilikom menjanja smeru otvaranja vrata.
6	Poklopac poklopca	1	Unapred instalirano na frižideru, uklonjeno prilikom promene smeru otvaranja vrata i sačuvano za buduću upotrebu.
7	Podesiva noga	1	Unapred instalirano na frižideru i koristi se prilikom menjanja smeru otvaranja vrata.
8	Držač zaustavljača donje šarke	1	Unapred instalirano na frižideru i koristi se prilikom menjanja smeru otvaranja vrata.
9	Šaraf za donji držač šarke	2	Unapred instalirano na frižideru i koristi se prilikom menjanja smeru otvaranja vrata.
10	Zaustavljač	1	Unapred instalirano na frižideru, uklonjeno prilikom promene smeru otvaranja vrata i sačuvano za buduću upotrebu.
11	Donji držač osovine šarke	1	Unapred instalirano na frižideru, uklonjeno prilikom promene smeru otvaranja vrata i sačuvano za buduću upotrebu.
12	Zaporni vijak	1	Unapred instalirano na frižideru, uklonjeno prilikom promene smeru otvaranja vrata i sačuvano za buduću upotrebu.
13	Levi gornji držač šarke	1	In the attached plastic bag, take them out for use when door is reversed
14	Poklopac levog gornjeg držača šarke	1	In the attached plastic bag, take them out for use when door is reversed

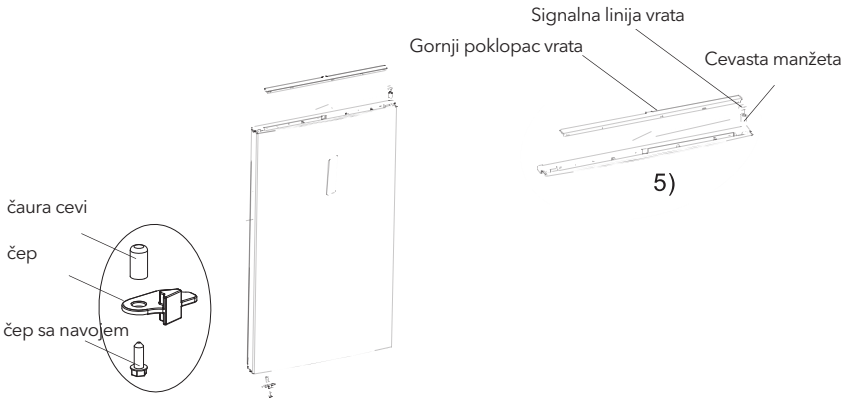
- Isključite frižider iz struje i uklonite sve predmete sa fioka na vratima.
- Rastavite poklopce rupa za šrafove, šrafove i dršku, i uklonite plastične poklopce rupa za šrafove sa druge strane.
- Rastavite poklopac gornje šarke, šrafove i gornju šarku, i uklonite poklopac rupa sa druge strane. Isključite priključak za žice sa desne strane vrha frižidera (1, 2 priključak za žice).



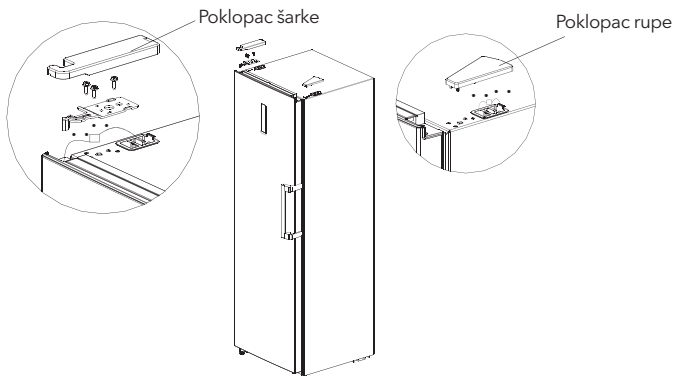
4. Rastavite sklop vrata i desne donje šarke (osovina šarke i podesiva noga i šarka), rastavite sklop desne donje šarke i sklopite osovinu šarke i podesivu stopu na drugoj strani šarke, zatim sastavite ceo sklop šarke na drugoj strani frižidera.



5. Uklonite gornji poklopac vrata, instalirajte gornju osovinu šarke, signalnu liniju vrata na drugu stranu i instalirajte gornji poklopac vrata. Uklonite zaustavni blok i zaustavnu osovinu i instalirajte ih na drugu stranu tela vrata.

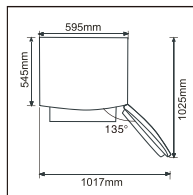


6. Izvadite ležište leve gornje šarke, poklopac leve gornje šarke iz paketa sa priborom, postavite vrata na donju šarku i montirajte levu gornju šarku. Povežite signalnu liniju terminala 3 sa signalnom linijom terminala 2, povežite signalnu liniju terminala 1 sa signalnom linijom terminala 4, montirajte poklopac gornje šarke i poklopac za rupu.



Početak korišćenja

- Pre prvog pokretanja, ostavite frižider mirno pola sata pre nego što ga povežete na napajanje.
- Pre nego što stavite bilo koje sveže ili smrznute namirnice, frižider treba da radi 2-3 sata, ili više od 4 sata leti kada je visoka temperatura.
- Ostavite dovoljno prostora za praktično otvaranje vrata i fioka.
- Slika iznad je samo za referencu. Stvarna konfiguracija će zavisi od fizičkog proizvoda ili izjave distributera.

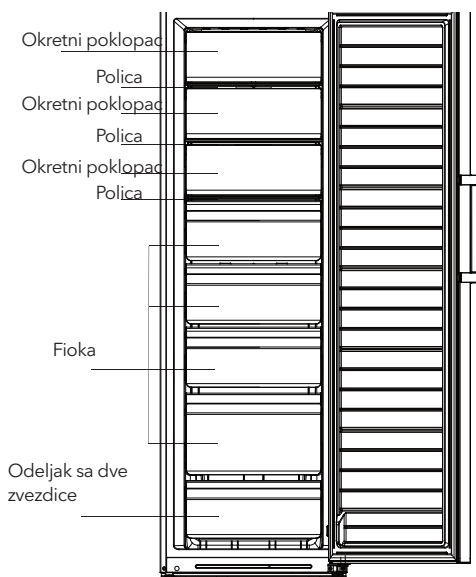


Saveti za štednju energije

- Uređaj treba da bude smešten u najhladnijem delu prostorije, daleko od aparata koji proizvode toplotu ili grejnih cevi, i van direktnog sunčevog svetla.
- Pustite da se tople namirnice ohlade na sobnoj temperaturi pre nego što ih stavite u uređaj. Preopterećenje aparata prisiljava kompresor da radi duže. Namirnice koje se sporo zamrzavaju mogu izgubiti kvalitet ili se pokvariti.
- Obavezno pravilno umotajte namirnice i proverite da li su posude suve pre nego što ih stavite u aparat. Ovo smanjuje stvaranje leda unutar uređaja.
- Posude za skladištenje u aparatu ne bi trebalo oblagati aluminijumskom folijom, papirom za pečenje ili papirnatim ubrusima. Obloge ometaju cirkulaciju hladnog vazduha, čime uređaj postaje manje efikasan.
- Organizujte i označite hranu kako biste smanjili često otvaranje vrata i produžene pretrage. Uzmite sve što vam je potrebno odjednom i zatvorite vrata što je pre moguće.

STRUKTURA I FUNKCIJE

Glavne komponente



Slika iznad je samo za referencu. Stvarna konfiguracija će zavisi od fizičkog proizvoda ili izjave distributera.

Frizider

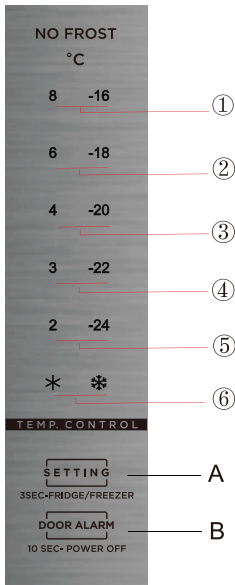
- Rashladna komora je pogodna za čuvanje različitog voća, povrća, pića i drugih namirnica koje se konzumiraju u kratkom roku.
- Hranu koja se kuva ne bi trebalo stavljati u rashladnu komoru dok se ne ohladi na sobnoj temperaturi.
- Preporučuje se da se hrana hermetički zatvori pre nego što se stavi u frižider.
- Staklene police se mogu pomeriti gore ili dole kako bi se dobio odgovarajući prostor za skladištenje i olakšala upotreba.

Zamrzivač

- Komora za zamrzavanje na niskoj temperaturi može dugo održavati svežinu hrane i koristi se pretežno za čuvanje smrznute hrane i pravljenje leda.
- Komora za zamrzavanje je pogodna za skladištenje mesa, ribe, kuglica od pirinča i drugih namirnica koje se neće konzumirati u kratkom roku.
- Meso je poželjno podeliti na manje komade kako bi bili lakše dostupni. Imajte na umu da se hrana treba konzumirati u vremenski predviđenom roku.

Napomena: Skladištenje previše hrane u uređaj nakon početnog povezivanja na struju može nepovoljno uticati na efekat zamrzavanja frižidera. Namirnice koje se skladište ne smeju blokirati izlaz za vazduh, inače će i efekat zamrzavanja biti narušen.

Functions



1. Ključno

- A. Dugme za podešavanje temperature i dugme za isključivanje frižidera/zamrzivača
- B. Dugme za mirovanje (standby)

2. Dugme za temperaturu

1. Podešavanje 1: podešena temperatura je 8°C ili -16°C
2. Podešavanje 2: podešena temperatura je 6°C ili -18°C
3. Podešavanje 3: podešena temperatura je 4°C ili -20°C
4. Podešavanje 4: podešena temperatura je 3°C ili -22°C
5. Podešavanje 5: podešena temperatura je 2°C ili -24°C
6. Podešavanje 6: brzo hlađenje ili brzo zamrzavanje

Slika iznad je samo za referencu. Stvarna konfiguracija će zavisi od fizičkog proizvoda ili izjave distributera.

3. Kada je frižider uključen:

Sve ikone temperature svetle u roku od 3 sekunde nakon uključivanja napajanja. Prilikom prvog uključivanja, podrazumevana podešena temperatura je -20°C. Nakon toga, svaki put kad pokrenete frižider, radiće u skladu sa poslednjom podešenom temperaturom pre isključivanja napajanja.

4. Upozorenje pri otvaranju i kontrola alarma:

Nema tona upozorenja pri otvaranju vrata; postoji ton alarma za otvorena vrata: kada se vrata frižidera ne zatvore, u roku od dva minuta oglašiće se zvučni signal koji će trajati sve dok se vrata ne zatvore. Pritisnite dugme B da biste isključili zvučni alarm, preporučuje se da vrata pravovremeno zatvorite.

Prikaz normalnog rada

Prilikom pojave kvara, odgovarajuće ikone će se kombinovano treperiti: kodovi greške i tipovi su prikazani kako sledi:

Frizider:

Kôd greške	Opis greške	Ekran
E1	Kvar senzora temperature u frižideru	Ikona "✱" i ikona "2" sijaju istovremeno
E5	Kvar senzora odmrzavanja u frižideru	Ikona "✱" i ikona "3" sijaju istovremeno
E6	Greška u komunikaciji	Ikona "2" i ikona "4" sijaju istovremeno
E7	Kvar senzora okolne temperature	Ikona "✱" i ikona "4" sijaju istovremeno
E10	Problem sa zadržavanjem (lepljenjem) dugmeta	Ikona "2" i ikona "3" sijaju istovremeno

Freezer:

Kôd greške	Opis greške	Ekran
E1	Kvar senzora temperature u zamrzivaču	Ikona "✱" i ikona "-24" sijaju istovremeno
E5	Kvar senzora odmrzavanja u zamrzivaču	Ikona "✱" i ikona "-22" sijaju istovremeno
E6	Greška u komunikaciji	Icon "-24" i ikona "-20" sijaju istovremeno
E7	Kvar senzora okolne temperature	Ikona "✱" i ikona "-20" sijaju istovremeno
E9	Alarm za visoku temperaturu u komori za zamrzavanje	Ikona "-24" i ikona "-18" sijaju istovremeno
E10	Problem sa zadržavanjem (lepljenjem) dugmeta	Ikona "-24" i ikona "-22" sijaju istovremeno

Ako nema kvara, ekran prikazuje temperaturu podešenu u frižideru.


Konverzija Frižider/Zamrzivač

Pritisnite dugme  3 sekunde kako biste postigli konverziju Frižider/Zamrzivač, temperature odgovarajuće ikone temperatura će svetleti.

Funkcija Standby

Dugim pritiskom od 10 sekundi na dugme  postavite funkciju mirovanja (standby).

Podešavanje temperature

Podešavanje temperature će se promeniti čim pritisnete dugme . Nakon toga, frižider će raditi prema novom podešenom temperaturom nakon 15 sekundi.




Režim brzog hlađenja

Unos: u režimu frižidera, pritisnite dugme  dok ikona ✱ ne zasvetli.

Tokom režima brzog hlađenja, frižider radi prema temperaturi podešenoj na 2°C, i automatski će izaći iz ovog režima nakon što radi 150 minuta i vratiti se na temperaturu pre podešavanja ovog režima.

Režim brzog zamrzavanja

Unos: U režimu zamrzivača, pritisnite dugme  dok ikona ✱ ne zasvetli.

Tokom režima brzog zamrzavanja, zamrzivač radi prema temperaturi podešenoj na -24°C, i automatski će izaći iz ovog režima nakon što radi 24 sata i vratiti se na temperaturu pre podešavanja ovog režima.

ODRŽAVANJE I NEGA APARATA

Opšte čišćenje

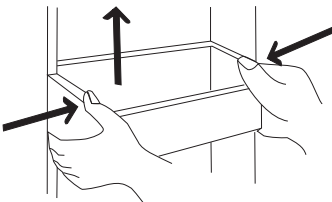
- Prašina iza frižidera i na tu će se blagovremeno čistiti kako bi se poboljšao efekat hlađenja i ušteda energije.
- Redovno proveravajte zaptivku vrata da biste bili sigurni da nema ostataka. Očistite zaptivku vrata mekom krpom navlaženom vodom sa sapunom ili razblaženim deterdžentom.
- Unutrašnjost frižidera treba redovno čistiti kako bi se izbegli mirisi.
- Isključite struju pre čišćenja unutrašnjosti, uklonite svu hranu, piće, police, fiok e itd.
- Unutrašnjost frižidera očistite mekom krpom ili sunderom, sa dve kašike sode bikarbone i litrom tople vode. Zatim isperite vodom i obrišite. Nakon čišćenja, otvorite vrata i pustite da se prirodno osuše pre nego što uključite napajanje.
- Za područja koja se teško čiste u frižideru (kao što su uski sendviči, praznine ili uglovi), preporučuje se redovno brisanje mekom krpom, mekom četkom i sl., a kada je potrebno, u kombinaciji sa nekim pomoćnim alatima (npr. kao tanki štapići) kako bi se osiguralo da u ovim oblastima nema akumulacije zagađivača ili bakterija.
- Nemojte koristiti sapun, deterdžent, prašak za ribanje, sredstvo za čišćenje u spreju itd., jer oni mogu izazvati mirise u unutrašnjosti frižidera ili kontaminiranu hranu.
- Okvir flaše, police i fiok e očistite mekom krpom navlaženom vodom sa sapunom ili razblaženim deterdžentom. Osušite mekom krpom ili osušite prirodnim putem.
- Obrišite spoljnu površinu frižidera mekom krpom navlaženom vodom sa sapunom, deterdžentom itd., a zatim obrišite suvom.
- Nemojte koristiti čvrste četke, čiste čelične kuglice, žičane četke, abrazivna sredstva (kao što su paste za zube), organske rastvarače (kao što su alkohol, aceton, ulje banane, itd.), ključalu vodu, kiselinu ili alkalne predmete, koji mogu oštetiti frižider površina i unutrašnjost. Kipuća voda i organski rastvarači kao što je benzol mogu deformisati ili oštetiti plastične delove.
- Nemojte ispirati direktno vodom ili drugim tečnostima tokom čišćenja da biste izbegli kratke spojeve ili uticali na električnu izolaciju nakon potapanja.



Isključite frižider radi odmrzavanja i čišćenja.

Čišćenje držača za vrata, kutija za voće i povrće i fiok e:

- Prema smeru strelice na slici ispod, koristite obe ruke da pritisnete fioku i gumete je prema gore, zatim je možete izvaditi.
- Nakon što izvadite fioku, operite je i zatim joj možete prilagoditi visinu instalacije prema vašim potrebama. Za čišćenje se preporučuju mekani peškiri ili sunderi umočeni u vodu i neutralna sredstva koja nisu korozivna. Zamrzivač konačno treba očistiti čistom vodom i suvom krpom. Ostavite vrata otvorena da se prirodno osuše pre nego što uključite napajanje. Nemojte koristiti tvrde četke, čelične kuglice za čišćenje, žičane četke, abrazive kao što su paste za zube, organski rastvarači (kao što su alkohol, aceton, ulje banane itd.), ključalu vodu, kiseline ili alkalne materijale za čišćenje frižidera, jer to može oštetiti površinu i unutrašnjost frižidera.



Slika iznad je samo za referencu. Stvarna konfiguracija će zavisiti od fizičkog proizvoda ili izjave distributera.

Čišćenje staklene police

- Kako unutrašnji deo zida frižidera gde se police dodiruju ima blokadu, trebalo bi da podignete police prema gore da biste ih izvadili.
- Podesite ili očistite police prema vašim potrebama. Za čišćenje se preporučuju mekani peškiri ili sunderi umočeni u vodu i neutralna sredstva koja nisu korozivna. Zamrzivač konačno treba očistiti čistom vodom i suvom krpom. Ostavite vrata otvorena da se prirodno osuše pre nego što uključite napajanje. Nemojte koristiti tvrde četke, čelične kuglice za čišćenje, žičane četke, abrazive kao što su paste za zube, organske rastvarače (kao što su alkohol, aceton, ulje banane itd.), ključalu vodu, kiseline ili alkalne materijale za čišćenje frižidera, jer to može oštetiti površinu i unutrašnjost frižidera.

Odmrzavanje

- Frižider je napravljen po principu vazdušnog hlađenja i samim tim ima funkciju automatskog odmrzavanja. Mraz nastao usled promene godišnjeg doba ili temperature može se ukloniti i ručno isključivanjem uređaja iz napajanja ili brisanjem suvim peškirom.

Van rada

- Nestanak struje: U slučaju nestanka struje, čak i tokom leta, namirnice u uređaju mogu da se drže nekoliko sati; tokom nestanka struje, vreme otvaranja vrata će se smanjiti i više se ne sme stavljati sveža hrana u uređaj.
- Dugotrajno nekorišćenje: Aparat se mora isključiti iz struje, a zatim očistiti; onda se vrata ostavljaju otvorena kako bi se sprečio miris.
- Premeštanje: Pre premeštanja frižidera, izvadite sve predmete naopačke, fiksirajte staklene pregrade, držač za povrće, fioke komore za zamrzavanje itd. trakom i zategnite nožice za nivelisanje; zatvorite vrata i popravite ih trakom. Tokom pomeranja, uređaj ne sme da bude položen naopako ili horizontalno, niti da bude vibriran; nagib tokom kretanja ne sme biti veći od 45°.



Uređaj će raditi neprekidno kada se pokrene. Uopšteno, rad uređaja ne sme da se prekida; u suprotnom životni vek može biti smanjen.

REŠAVANJE PROBLEMA

Možete pokušati sami da rešite sledeće jednostavne probleme.
Ako ih ne možete rešiti, obratite se službi za postprodaju.

Uređaj ne radi	<p>Proverite da li je uređaj povezan na struju ili da li je kontakt utikača sa utičnicom dobar</p> <p>Proverite da li je napon prenizak</p> <p>Proverite da li je došlo do nestanka struje ili iskakanja prekidača</p>
Neprijatni miris	<p>Hranu koja ima intenzivne mirise potrebno je čvrsto obmotati</p> <p>Proverite da li je hrana počela da se kvari</p> <p>Očistite unutrašnjost frižidera</p>
Dugotrajan rad kompresora	<p>Normalno je da frižider duže radi tokom leta, kada je ambijentalna temperatura povišena</p> <p>Ne preporučuje se da se odjednom stavi prevelika količina hrane u uređaj</p> <p>Ne stavljajte hranu u uređaj dok se prethodno ne ohladi</p> <p>Često otvaranje vrata frižidera</p>
Lampica ne svetli	<p>Proverite da li je frižider priključen na struju i da li je lampica oštećena</p> <p>Neka zamenu sijalice obavli stručno lice</p>
Vrata frižidera se ne mogu zatvoriti na odgovarajući način	<p>Ambalaža sa hranom blokira vrata uređaja</p> <p>Frižider je nagnut</p>
Glasni zvuci	<p>Proverite da li je pod ravan i da li je frižider stabilan</p> <p>Proverite da li je dodatna opema postavljena na odgovarajućim mestima</p>
Zaptivka na vratima ne omogućava hermetičko zatvaranje	<p>Uklonite strane elemente sa zaptivke za vrata</p> <p>Zagrejte zaptivku za vrata, a zatim je ohladite kako biste je vratili u prethodni oblik (ili, da biste je zagrejali, produvajte zaptivku električnim fenom ili je zagrejte vreloom krpom)</p>
Prelivanje posude za vodu	<p>U komori ima previše hrane ili hrana koja se drži u uređaju sadrži previše vode, što za rezultat ima intenzivno otapanje</p> <p>Vrata nisu dobro zatvorena, što za rezultat ima hvatanje inja usled upliva vazduha i povećano stvaranje vode usled otapanja</p>
Pregrejano kućište	<p>Toplota ugrađenog kondenzatora se rasipa kroz kućište, što je normalna pojava. Kada se kućište pregreje usled visoke ambijentalne temperature i prevelike količine hrane, preporučuje se neprekidna ventilacija, kojom se omogućava rasipanje toplote.</p>
Formiranje površinskog kondenza	<p>Formiranje kondenza na spoljašnjim površinama i zaptivkama na vratima frižidera predstavlja normalnu pojavu kada je koncentracija vlage u prostoriji previsoka. Jednostavno obrišite kondenz čistom krpom.</p>
Neuobičajena buka	<p>Zujanje: Tokom rada, kompresor može da zuji, što se posebno glasno čuje na početku i na kraju rada. Ova pojava je normalna.</p> <p>Škripanje: Rashladno sredstvo koje cirkuliše unutar uređaja može da proizvodi škripu, što predstavlja normalnu pojavu.</p>

SÄKERHETSVARNINGAR

VARNING:



Varning: Brandrisk / Brandfarliga material

REKOMMENDATIONER:

- Denna apparat är avsedd för användning i hushåll och liknande tillämpningar, såsom personalens köksområden i butiker, kontor och andra arbetsmiljöer; bondgårdar och av kunder i hotell, motell och andra bostadstypsmiljöer; bed and breakfast- typsmiljöer; catering och liknande icke-detaljhandelsapplikationer.
- Om nätkabeln är skadad måste den bytas ut av tillverkaren, dess servicetekniker eller liknande kvalificerade personer för att undvika fara.
- Förvara inte explosiva ämnen, såsom aerosolburkar med brandfarligt drivmedel, i denna apparat.
- Apparaten måste vara urkopplad efter användning och innan användaren utför underhåll på apparaten.
- **VARNING:** Se till att ventilationsöppningarna i apparatens kapsling eller inbyggda struktur inte är blockerade.
- **VARNING:** Använd inte mekaniska redskap eller andra medel för att påskynda avfrostningsprocessen, om det inte rekommenderas av tillverkaren.
- **VARNING:** Skada inte kylmedelkretsen.
- **VARNING:** Använd inte elektriska apparater inuti matförvaringsutrymmena i apparaten, om de inte är av den typ som rekommenderas av tillverkaren.
- **VARNING:** Vänligen släng apparaten enligt lokala regler och föreskrifter eftersom den använder brandfarligt bläsgas och kylmedel.
- **VARNING:** När du placerar apparaten, se till att nätkabeln inte kläms fast eller skadas.
- **VARNING:** Placera inte flera löstagbara eluttag eller portabla strömförsörjningar bakom apparaten.
- Använd inte förlängningskabler eller ojordade (tvåpoliga) adapterar.
- **FARLIGT:** Risk för att barn fastnar. Innan du kastar bort apparaten:
 - Ta bort dörrarna.
 - Lämna hyllorna på plats så att barn inte enkelt kan klättra inuti.
- Innan du försöker installera något tillbehör måste apparaten vara fränkopplad från elnätet.
- Kylmedel och cyklopentan-skummaterial som används för kylskåpet är brandfarliga. Därför ska kylskåpet vid skrotning hållas borta från alla eldkällor och återvinnas av ett specialiserat återvinningsföretag med motsvarande kvalifikationer, istället för att skador på miljön eller annan skada.
- EN-standardin: Tämä laite voidaan käyttää 8-vuotiaista ja vanhemmista lapsista sekä henkilöistä, joilla on vähentynyt fyysinen, aistien tai henkinen kyky tai kokemattomuutta ja tietämystä, jos heitä on valvottu tai heille on annettu ohjeita laitteen turvallisesta käytöstä ja he ymmärtävät liittyvät vaarat. Lapset eivät saa leikkiä laitteella. Puhdistusta ja käyttäjän ylläpitoa ei saa suorittaa ilman valvontaa. 3-8-vuotiaat lapset voivat ladata ja purkaa jäähdytyslaitteita.
- IEC-standardiin: Tämä laite ei ole tarkoitettu käytettäväksi henkilöiden (mukaan lukien lapset) kanssa, joilla on vähentynyt fyysinen, aistien tai henkinen kyky tai kokemattomuutta ja tietämystä, ellemmä heitä ole valvottu tai saaneet ohjeita laitteen käytöstä henkilöltä, joka vastaa heidän turvallisuudestaan.
 - Lapsia tulee valvoa varmistukseksi, että he eivät leiki laitteen kanssa.
 - Ohjeiden tulee sisältää seuraavat tiedot: Ruokien saastumisen välttämiseksi, noudatathan seuraavia ohjeita:
 - Pitkäaikainen oven auki pitäminen voi aiheuttaa merkittävän lämpötilan nousun laitteen osissa.
 - Puhdista säännöllisesti pinnat, jotka voivat joutua kosketuksiin ruoan kanssa, sekä käyttövesijärjestelmän saavutettavat osat.
 - Puhdista vesisäiliöt, jos niitä ei ole käytetty 48 tuntiin; huuhtelee vesi- ja käyttövesijärjestelmä, jos vettä ei ole otettu käyttöön viiteen päivään. (huomautus 1)
 - Säilytä raaka liha ja kala sopivissa astioissa jääkaapissa, jotta ne eivät ole kosketuksissa tai valuta muiden ruokien päälle.
 - Kaksi tähden pakastinlokerot ovat sopivia esijäädetytyn ruoan säilyttämiseen, jäätelön valmistamiseen ja jääpalojen tekemiseen. (huomautus 2).
 - Yksi tähden kaksi tähden ja kolme tähden lokeroita ei suositella tuoreen ruoan pakastamiseen. (huomautus 3)
 - Jos jääkaappi jää pitkäksi aikaa tyhjäksi, sammuttase, sulata, puhdista, kuivaa ja jätä ovi auki estääksesi homeen kehittymisen laitteen sisällä.

Huomautus 1, 2, 3: Vahvista, että se koskee sinun tuotteesi lokero-typpejä.

Betydelsen av säkerhetsvarningssymboler



Detta är en förbjuden symbol. Om instruktionerna markerade med denna symbol inte följs kan det leda till skada på produkten eller hota användarens personliga säkerhet.



Detta är en varningssymbol. Det är nödvändigt att strikt följa instruktionerna som är märkta med denna symbol; annars kan skada på produkten eller personskada orsakas.



Detta är en försiktighetssymbol. Instruktioner som är märkta med denna symbol kräver särskild försiktighet. Otillräcklig försiktighet kan leda till mindre eller måttlig skada, eller skada på produkten.

Denna manual innehåller mycket viktig säkerhetsinformation som användarna bör följa.

Varningar relaterade till elektricitet

- Dra inte i nätkabeln när du drar ur nätkontakten för kylskåpet. Greppa fast i kontakten och dra direkt ur vägguttaget.
- För säker användning, skada inte nätkabeln eller använd den om den är skadad eller sliten.
- Använd en dedikerad eluttag och dela inte eluttaget med andra elektriska apparater.
- Kontakten ska vara ordentligt ansluten till uttaget, annars kan brand uppstå.
- Se till att jordningsstiftet på eluttaget är utrustat med en pålitlig jordningsledning.
- Stäng av ventil för läckande gas och öppna sedan dörrar och fönster om det uppstår gasläckage eller läckage av andra brandfarliga gaser. Dra inte ur kylskåpet och andra elektriska apparater, eftersom gnistor kan orsaka brand.
- Använd inte elektriska apparater ovanpå kylskåpet, om de inte är av den typ som rekommenderas av tillverkaren.

Varningar vid användning

- Demontera eller omkonstruera inte kylskåpet på eget bevåg, skada inte heller kylmedelkretsen. Underhåll av apparaten måste utföras av en specialist.
- En skadad nätkabel måste bytas ut av tillverkaren, dess serviceavdelning eller relaterade yrkespersoner för att undvika fara.
- Spalten mellan kylskåpsdörrarna och mellan dörrarna och kylskåpskroppen är små, se till att inte placera handen i dessa områden för att undvika att klämma fingret. Var försiktig när du öppnar kylskåpsdörren för att undvika att föremål faller.
- Plocka inte mat eller behållare med våta händer i fryskammaren när kylskåpet är igång, särskilt inte metallbehållare för att undvika köldskador.
- Tillåt inte barn att klättra in i eller klättra på kylskåpet, eftersom detta kan leda till kvävning eller fallskador för barnet.
- Placera inte tunga föremål på toppen av kylskåpet, eftersom föremål kan falla när du öppnar eller stänger dörren, och olycksfall kan orsakas.
- Dra ut kontakten vid strömavbrott eller rengöring. Koppla inte in frysen i strömförsörjningen inom fem minuter för att förhindra skador på kompressorn på grund av upprepade starter.

Varningar för placering

- Placera inte brandfarliga, explosiva, flyktiga och högt korrosiva föremål i kylskåpet för att förebygga skador på produkten eller brandolyckor.
- Placera inte brandfarliga föremål nära kylskåpet för att undvika brandrisker.
- Kylskåpet är avsett för hushållsbruk, som förvaring av livsmedel; det får inte användas för andra ändamål, som förvaring av blod, läkemedel eller biologiska produkter, etc.
- Placera inte öl, drycker eller andra vätskor som finns i flaskor eller slutna behållare i fryskammaren i kylskåpet; annars kan flaskorna eller behållarna spricka på grund av frysnings och orsaka skador.

Varningar för energi

1. Kylskåp kan fungera inkonsekvent (möjlighet till frostning av innehållet eller att temperaturen blir för varm i frysdelen) när de placeras under en längre tid vid temperaturer som är kallare än den kalla änden av temperaturområdet för vilket kylskåpet är konstruerat.
2. Observera att kolsyrade drycker inte bör förvaras i matfrysar eller lågtemperaturfack, och att vissa produkter som vattenisar inte bör konsumeras för kallt.
3. Följ rekommendationerna från livsmedelstillverkarna gällande förvaringstider för alla typer av mat, särskilt för kommersiellt snabbfrost mat i frys- och frysack.
4. Vid avfrostning av kylskåpet, se till att temperaturen på den frysta maten inte ökar för mycket, t.ex. genom att linda in den frysta maten i flera lager tidningar.
5. Observera att en ökning av temperaturen på den frysta maten under manuell avfrostning, underhåll eller rengöring kan förkorta förvaringstiden.
6. Om kylskåpsdörrar eller lock är utrustade med lås och nycklar, se till att hålla nycklarna utom räckhåll för barn och inte i närheten av kylskåpet för att förhindra att barn blir inlåsta.

Varningar vid bortskaffning



Kylmedel och skummaterial som används i kylskåpet är brandfarliga. Därför, när kylskåpet ska skrotas, ska det hållas borta från alla eldkällor och återvinnas av ett specialiserat företag med motsvarande kvalifikationer istället för att förbrännas, för att förebygga skador på miljön eller annan skada.



När kylskåpet skrotas, demontera dörrarna och ta bort tätningen och hyllorna. Placera dörrarna och hyllorna på en lämplig plats för att förhindra att något barn fastnar.



Korrekt bortskaffande av denna produkt:

Denna markering indikerar att denna produkt inte bör kasseras med andra hushållsavfall inom EU. För att förhindra möjlig skada på miljön eller mänsklig hälsa från okontrollerad avfallshantering, återvinn den ansvarsfullt för att främja hållbar återanvändning av materialresurser. För att returnera din använda enhet, använd retur- och insamlingssystemen eller kontakta återförsäljaren där produkten köptes. De kan ta emot produkten för miljösäker återvinning.

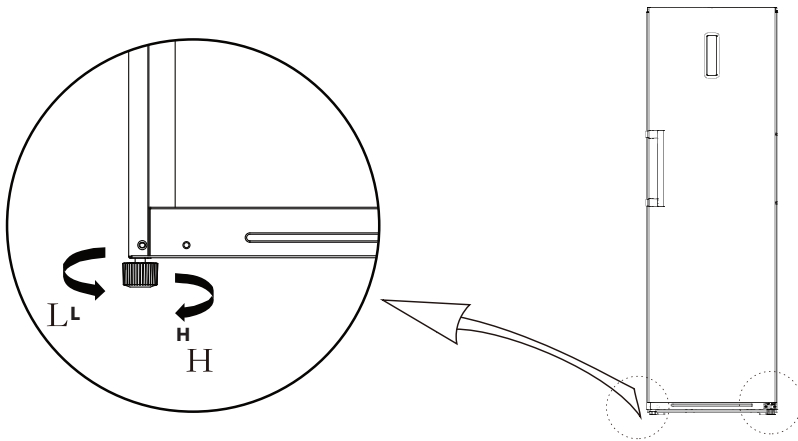
KORREKT ANVÄNDNING AV KYLSKÅP

Placering

- Innan användning, ta bort all förpackningsmaterial, inklusive bottenkuddar, skumkuddar och tejp inuti kylskåpet; ta bort skyddsfilmerna på dörrarna och kylskåpets kropp.
- Håll avstånd från värme och undvik direkt solljus. Placera inte frysen på fuktiga eller vattensprutande platser för att förhindra rostbildning eller försämring av isoleringseffekten.
- Spraya inte eller tvätta kylskåpet; placera inte kylskåpet på fuktiga platser som kan bli utsprutade med vatten för att inte påverka kylskåpets elektriska isoleringsegenskaper.
- Kylskåpet placeras inomhus på en välventilerad plats; golvet bör vara plant och stabilt (justera hjulet genom att rotera vänster eller höger för att nivåjustera om det är ostadigt).
- Det övre utrymmet ovanför kylskåpet bör vara större än 30 cm, och kylskåpet bör placeras mot en vägg med ett fritt avstånd på mer än 10 cm för att underlätta värmeavledning.

Nivelleringsfötter

1. Försiktighetsåtgärder före användning: Innan användning av tillbehör måste kylskåpet vara fränkopplat från strömförsörjningen. Innan du justerar nivelleringsfötterna bör försiktighet vidtas för att undvika personskador.
2. Schematisk diagram över nivelleringsfötterna.



Bilden ovan är endast för referens. Den faktiska konfigurationen kommer att bero på den fysiska produkten eller informationen från distributören.

3. Justeringsförfaranden:

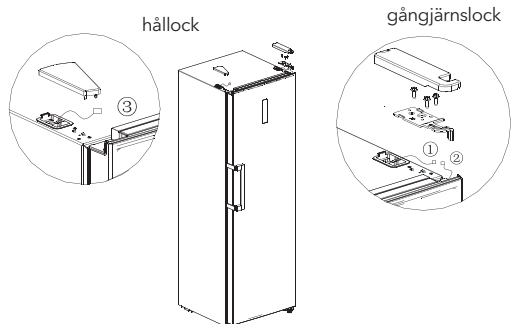
- a. Vrid fötterna medurs för att höja kylskåpet;
- b. Vrid fötterna moturs för att sänka kylskåpet;
- c. Justera höger och vänster fötter enligt ovanstående förfaranden för att få en horisontell nivå.

Byte av dörrhängning (höger-vänster)

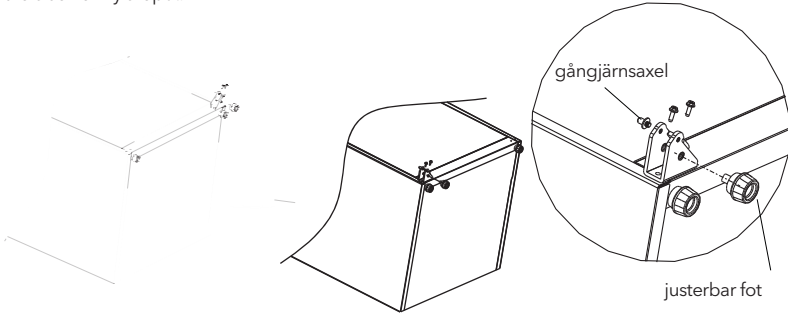
Lista över verktyg som ska tillhandahållas av användaren			
	Kryssmejsel		Spackelspade Tunnbladig skruvmejsel
	5/16" Hylsnyckel och ratchet		Maskeringstejp

Delar som används för dörrbyte (höger-vänster)			
Nummer	Namn	Nummer	Notering
1	Övre gångjärnsaxelfodral	1	Förinstallerad på dörren, tas bort när dörren byts och sparas för framtida användning
2	Övre gångjärnsskruv	3	Förinstallerad på kylskåpet och ska användas när dörren byts
3	Höger övre gångjärn	1	Förinstallerad på kylskåpet, tas bort när dörren byts och sparas för framtida användning
4	Höger övre gångjärnslock	1	Förinstallerad på kylskåpet, tas bort när dörren byts och sparas för framtida användning
5	Hålkåpa	1	Förinstallerad på kylskåpet och ska användas när dörren byts
6	Lockets kapsel	1	Förinstallerad på dörren, tas bort när dörren byts och sparas för framtida användning
7	Justerbar fot	1	Förinstallerad på kylskåpet och ska användas när dörren byts
8	Stopp	1	Förinstallerad på kylskåpet och ska användas när dörren byts
9	Nedre gångjärn	2	Förinstallerad på kylskåpet och ska användas när dörren byts
10	Nedre gångjärnsskruv	1	Förinstallerad på dörren, tas bort när dörren byts och sparas för framtida användning
11	Stopp	1	Förinstallerad på dörren, tas bort när dörren byts och sparas för framtida användning
12	Nedre gångjärnsaxelfodral	1	Förinstallerad på dörren, tas bort när dörren byts och sparas för framtida användning
13	Stopparskruv	1	I bifogad plastpåse, ta ut dem för användning när dörren byts
14	Vänster övre gångjärn	1	I bifogad plastpåse, ta ut dem för användning när dörren byts

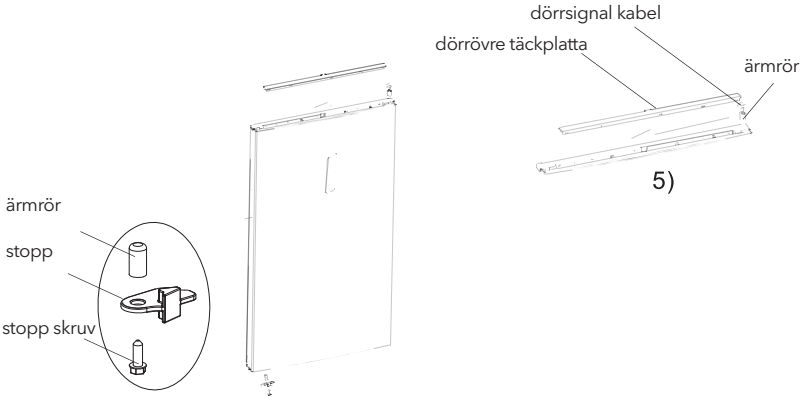
- Stäng av strömmen till kylskåpet och ta bort alla föremål från dörrfacken.
- Ta bort skruvhålens kapslar, skruvar och handtag, och ta bort plastkapslarna för skruvhålen från den andra sidan.
- Ta bort översta gångjärnslocket, skruvarna och det övre gångjärnet, och ta bort hålkapseln från den andra sidan. Koppla ur kabelanslutningen på höger sida av kylskåpets topp (1, 2 kabelanslutning).



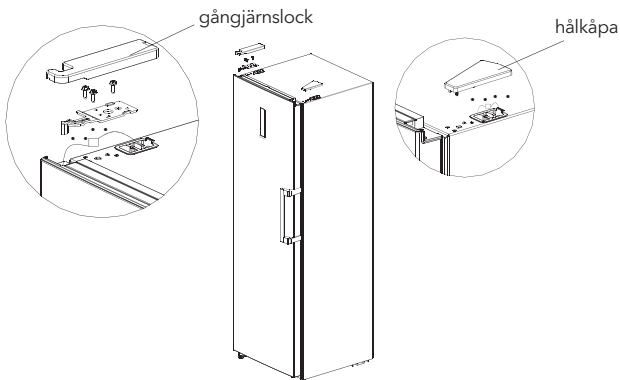
4. Demontera dörren och den högra nedre gångjärnsmonteringen (gångjärnsaxel och justerbar fot och gångjärn), ta isär den högra nedre gångjärnsmonteringen och montera gångjärnsaxeln och den justerbara foten på den andra sidan av gångjärnet. Montera sedan hela gångjärnsmonteringen på den andra sidan av kylskåpet.



5. Ta bort dörröverdelen, installera det övre gångjärnsfodralet, flytta dörrsignalanslutningen till den andra sidan och installera dörröverdelen. Ta bort stoppblocket och axelhylsan och installera dem på den andra sidan av dörrkroppen.

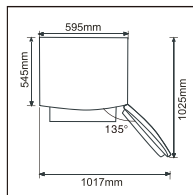


6. Ta ut vänster övre gångjärn, vänster övre gångjärnslock från tillbehörspaketet, placera dörren på det nedre gångjärnet och montera det vänstra övre gångjärnet. Anslut signalanslutningsända 3 med signalanslutningsända 2, anslut signalanslutningsända 1 med signalanslutningsända 4, montera det övre gångjärnslocket och hålkåpan.



Börja använda den

- Innan första användning, låt kylskåpet stå stilla i en halvtimme innan du ansluter det till strömförsörjningen.
- Innan du lägger i några färska eller frysta livsmedel ska kylskåpet ha kört i 2-3 timmar, eller över 4 timmar på sommaren när omgivningstemperaturen är hög.
- Se till att det finns tillräckligt med utrymme för att enkelt kunna öppna dörrarna och lådorna.
- Bilden ovan är endast för referens. Den faktiska configurationen beror på den fysiska produkten eller informationen från återförsäljaren.

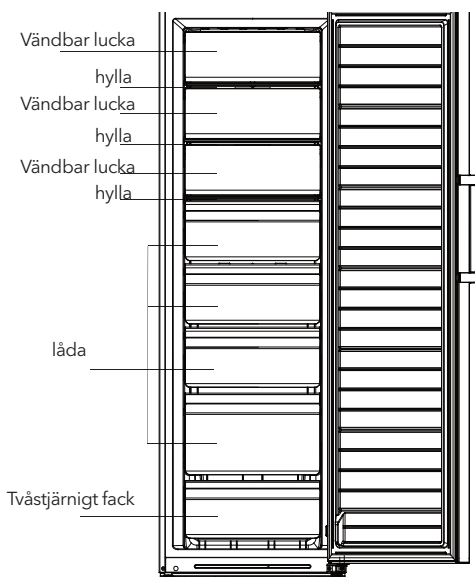


Energibesparande tips

- Apparaten bör placeras i det svalaste området av rummet, borta från apparater som producerar värme eller uppvärmningskanaler, samt bort från direkt solljus.
- Låt varm mat svalna till rumtemperatur innan du placerar den i apparaten. Att överbelasta apparaten tvingar kompressorn att köra längre. Livsmedel som fryser för långsamt kan förlora kvalitet eller bli dåliga.
- Se till att linda in maten ordentligt och torka av behållarna innan du placerar dem i apparaten. Detta minskar frostbildningen inne i apparaten.
- Apparatsens förvaringsfack ska inte kläs med aluminiumfolie, vaxpapper eller hushållspapper. Dessa material stör cirkulationen av kall luft och gör apparaten mindre effektiv.
- Organisera och märk maten för att minska antalet gånger dörren öppnas och förlänga sökningarna.
- Ta ut så många föremål som behövs på en gång och stäng dörren så snabbt som möjligt.

STRUKTUR OCH FUNKTIONER

Nyckelkomponenter



Bilden ovan är endast för referens. Den faktiska configurationen kommer att bero på den fysiska produkten eller uttalandet från distributören.

Kylskåp

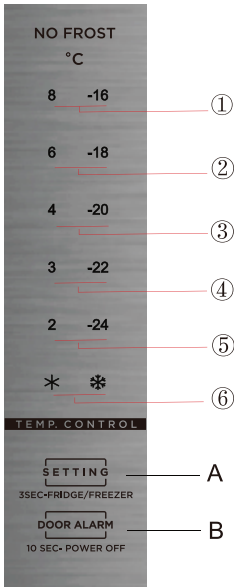
- Kylkammaren är lämplig för förvaring av olika frukter, grönsaker, drycker och andra livsmedel som konsumeras på kort sikt.
- Matlagning mat bör inte placeras i kylkammaren förrän den har svalnat till rumstemperatur.
- Livsmedel rekommenderas att förseglas innan de placeras i kylskåpet.
- Glas hyllorna kan justeras upp eller ner för att ge lämpligt förvaringsutrymme och enkel användning.

Frysfack

- Det lågtemperaturfrysrummet kan hålla maten färsk under lång tid och används främst för att förvara frysta livsmedel och göra is.
- Frysrådet är lämpligt för förvaring av kött, fisk, risbollar och andra livsmedel som inte ska konsumeras på kort sikt.
- Bitar av kött bör helst delas upp i små bitar för enkel åtkomst. Var vänlig notera att maten bör konsumeras inom hylltiden.

Observera: Förvaring av för mycket mat under drift efter den första anslutningen till strömmen kan påverka fryseffekten av kylskåpet negativt. Mat som förvaras får inte blockera luftutloppet, annars påverkas fryseffekten också negativt.

Functions



1. Nyckel

- A. Temperaturinställningsknapp och Kylskåp/Frysfack-omkopplingsknapp
- B. Standby-knapp

2. Temperaturikon

1. Inställning 1: inställd temperatur är 8°C eller -16°C
2. Inställning 2: inställd temperatur är 6°C eller -18°C
3. Inställning 3: inställd temperatur är 4°C eller -20°C
4. Inställning 4: inställd temperatur är 3°C eller -22°C
5. Inställning 5: inställd temperatur är 2°C eller -24°C
6. Inställning 6: snabbkyllning eller snabbfrysning

Bilden ovan är endast för referens. Den faktiska konfigurationen kan variera beroende på den fysiska produkten eller informationen från distributören.

3. När kylskåpet är påslaget:

Alla temperaturikoner lyser inom 3 sekunder efter att kylskåpet har slagits på. Vid första påslaget är standardinställningen -20°C. Därefter kommer kylskåpet varje gång att fungera enligt den senaste inställda temperaturen före det senaste avstängningen.

4. Varningsmeddelande vid öppning och alarmkontroll:

Det finns ingen dörröppningspåminnelse; det finns en ljudsignal för dörröppningslarm: om kylskåpsdörren inte är stängd inom två minuter efter att den öppnades kommer summer att låta tills dörren stängs. Tryck på knappen B för att avbryta summerlarmet, det rekommenderas att stänga dörren i tid.

Visning av normal drift

Vid fel uppstår kommer de motsvarande ikonerna att blinka i kombination: felkoder och typer visas enligt följande:

Kylskåp:

Felkod	Felbeskrivning	Visning
E1	Temperatursensor för kylrummet fel	Ikon "❄" & Ikon "2" lysas samtidigt
E5	Avfrostsensor för kylrummet fel	Ikon "❄" & Ikon "3" lysas samtidigt
E6	Kommunikationsfel	Ikon "2" & Ikon "4" lysas samtidigt
E7	Fel på omgivande temperatursensor	Ikon "❄" & Ikon "4" lysas samtidigt
E10	Problem med knapp fastnat	Ikon "2" & Ikon "3" lysas samtidigt

Freezer:

Felkod	Felbeskrivning	Visning
E1	Temperatursensor för fryskammaren fel	Ikon "❄" & Ikon "-24" lysas samtidigt
E5	Avfrostsningssensor för fryskammaren fel	Ikon "❄" & Ikon "-22" lysas samtidigt
E6	Kommunikationsfel	Ikon "-24" & Ikon "-1" lysas samtidigt
E7	Fel på omgivande temperatursensor	Ikon "❄" & Ikon "-20" lysas samtidigt
E9	Hög temperaturlarm i fryskammaren	Ikon "-24" & Ikon "-18" lysas samtidigt
E10	Problem med knapp fastnat	Ikon "-24" & Ikon "-22" lysas samtidigt

Om det inte finns några fel visar skärmen den inställda temperaturen för kylrummet.


Omvandling av kyl/frys

Tryck på knappen  3 sekunder för att byta mellan kyl och frys, de motsvarande temperaturikoner lyser.

Standby function


Tryck och håll ned standby-knappen  i 10 sekunder för att aktivera viloläge.

Temperaturinställning

Temperaturinställningen ändras när du trycker på knappen (). Sedan kommer kylskåpet att köra enligt den nya temperaturinställningen efter 15 sekunder.



Snabbkylningläge

Tryck: Under kylskåpsläge, tryck på knappen () tills ikonen * lyser.

Under snabbkylningläge fungerar kylskåpet enligt temperaturen som är inställd på 2°C, och det kommer automatiskt att avslutas efter att ha kört i 150 minuter eller när temperaturen eller läget ändras.

Snabbfrysningläge

Enter: Under frysläge, tryck på knappen () tills ikonen ❄ lyser.

Under snabbfrys-läge körs frysen enligt den inställda temperaturen på -24°C (den kommer att avsluta detta läge automatiskt efter att ha kört i 24 timmar eller vid temperaturinställning eller lägesinställning.

UNDERHÅLL OCH SKÖTSEL AV APPARATEN

Övergripande rengöring

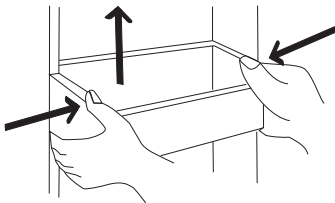
- Dammet bakom kylskåpet och på golvet bör rengöras regelbundet för att förbättra kylningseffekten och energibesparingen.
- Kontrollera regelbundet dörrtätningen för att säkerställa att det inte finns några skräp. Rengör dörrtätningen med en mjuk trasa fuktad med såpvatten eller utspädd rengöringsmedel.
- Interiören i kylskåpet bör rengöras regelbundet för att undvika lukt.
- Stäng av strömmen innan du rengör interiören, ta bort all mat, dryck, hyllor, lådor, etc.
- Använd en mjuk trasa eller svamp för att rengöra insidan av kylskåpet med två matskedar bikarbonat och en liter varmt vatten. Skölj sedan med vatten och torka rent. Efter rengöring, öppna dörren och låt den torka naturligt innan du slår på strömmen igen.
- För områden som är svåra att rengöra i kylskåpet (som smala springor, glipor eller hörn), rekommenderas att torka dem regelbundet med en mjuk trasa, mjuk borste, etc., och vid behov kombinera med några hjälpverktyg (som tunna pinnar) för att säkerställa att inga föroreningar eller bakterieansamlingar bildas i dessa områden.
- Använd inte tvål, rengöringsmedel, skurpulver, sprayrengöringsmedel, etc., eftersom dessa kan orsaka lukt i kylskåpets interiör eller förorena maten.
- Rengör flaskhyllan, hyllorna och lådorna med en mjuk trasa fuktad med såpvatten eller utspädd rengöringsmedel. Torka med en mjuk trasa eller låt torka naturligt.
- Torka av utsidan av kylskåpet med en mjuk trasa fuktad med såpvatten, rengöringsmedel, etc., och torka sedan torrt.
- Använd inte hårda borstar, stålull, trådborstar, slipmedel (som tandkräm), organiska lösningsmedel (som alkohol, aceton, bananolja, etc.), kokande vatten, syror eller alkaliska föremål, vilket kan skada kylskåpets yta och interiör. Kokande vatten och organiska lösningsmedel som bensen kan deformera eller skada plastdelar.
- Skölj inte direkt med vatten eller andra vätskor under rengöringen för att undvika kortslutning eller påverka elektrisk isolering efter nedsänkning.



Vänligen dra ut kontakten till kylskåpet innan avfrostning och rengöring.

Rengöring av dörrbricka, låda för frukt och grönsaker samt låda

- Enligt riktningspilen i bilden nedan, använd båda händerna för att klämma på brickan och tryck den uppåt för att ta ut den.
- Efter att ha tagit ut brickan kan du justera dess monteringshöjd enligt dina önskemål.
- Mjuka handdukar eller svampar doppade i vatten och icke-korrosiva neutrala rengöringsmedel rekommenderas för rengöring. Frysutrymmet ska slutligen rengöras med rent vatten och torr trasa. Öppna dörren för naturlig torkning innan strömmen slås på.
- Använd inte hårda borstar, stålull, ståltrådsborstar, slipmedel som tandkrämer, organiska lösningsmedel (som alkohol, aceton, bananolja osv.), kokande vatten, sura eller alkaliska ämnen för att rengöra kylskåpet, eftersom detta kan skada kylskåpets yta och interiör.



Bilden ovan är endast för referens. Den faktiska konfigurationen kan variera beroende på den fysiska produkten eller informationen från återförsäljaren.

Rengöring av glashylla

- Eftersom den innersta delen av kylskåpets inre där hyllorna är i kontakt har en stoppplats, måste du lyfta hyllorna uppåt för att kunna ta ut dem.
- Justera eller rengör hyllorna enligt dina önskemål.
Mjuka handdukar eller svampar som är fuktade med vatten och icke-korrosiva neutrala rengöringsmedel rekommenderas för rengöring. Frysens avslutningsvis rengöras med rent vatten och en torr trasa. Öppna dörren för naturlig torkning innan du slår på strömmen. Använd inte hårda borstar, stålborstar, trådborstar, slipmedel, såsom tandkräm, organiska lösningsmedel (t.ex. alkohol, aceton, bananolja osv.), kokande vatten, sura eller alkaliska ämnen för att rengöra kylskåpet eftersom detta kan skada kylskåpets yta och interiör.

Avfrostning

- Kylskåpet är konstruerat med luftkyllning och har därför en automatisk avfrostningsfunktion. Frost som bildas på grund av temperaturförändringar eller årstidsväxlingar kan också tas bort manuellt genom att koppla från apparaten från strömförsörjningen eller genom att torka av med en torr handduk.

Utän drift

- Strömavbrott: Vid strömavbrott kan maten inuti kylskåpet hållas fräsch under flera timmar, även om det är sommar. Under strömavbrottet bör antalet gånger man öppnar dörren minskas, och ingen färsk mat bör sättas in i kylskåpet.
- Långvarig icke-användning: Kylskåpet ska dras ur eluttaget och rengöras. Därefter ska dörrarna lämnas öppna för att förhindra dålig lukt.
- Flyttning: Innan kylskåpet flyttas, ska alla objekt tas ut, och glashyllorna, grönsakshållaren, frysutrymmets lådor osv. ska fästas med tejp och de justerbara fötterna ska spännas åt. Stäng dörrarna och fäst dem med tejp. Under flyttningen får kylskåpet inte placeras upp och ned eller horisontellt, eller vibreras. Lutningen under flyttningen får inte överstiga 45°.



Apparaten ska fungera kontinuerligt så snart den startas. Generellt sett bör driften av apparaten inte avbrytas; annars kan livslängden påverkas negativt.

FELSÖKNING

Du kan försöka lösa följande enkla problem själv.
Om de inte kan lösas, kontakta eftermarknadsavdelningen.

Misslyckad funktion	Kontrollera om apparaten är ansluten till ström eller om kontakten är ordentligt ansluten Kontrollera om spänningen är för låg Kontrollera om det har varit strömbrott eller om delar av kretsarna har lösts ut
Lukt	Odörra livsmedel bör vara tätt förpackade. Kontrollera om det finns någon rutten mat. Rengör insidan av kylskåpet.
Långvarig drift av kompressorn	Lång drifttid för kylskåpet är normalt under sommaren när omgivningstemperaturen är hög. Det rekommenderas inte att ha för mycket mat i apparaten samtidigt. Maten bör kylas innan den placeras i kylskåpet. Undvik att öppna dörrarna för ofta.
Ljuset lyser inte	Kontrollera om kylskåpet är anslutet till strömförsörjningen och om belysningslampan är skadad. Låt en specialist byta ut ljuset om det behövs.
Dörrarna kan inte stängas ordentligt	Dörren fastnar på matförpackningar. Se till att kylskåpet står plant och inte är lutat. Flytta eventuellt matförpackningarna så att de inte blockerar dörren.
Högt ljud	Kontrollera om golvet är plant och om kylskåpet är stabilt placerat. Se till att tillbehören är placerade på rätt platser inuti kylskåpet.
Tätningen på dörren är inte tät	Ta bort främmande föremål från dörrtätningen. Värm upp dörrtätningen och låt den sedan svalna för att återställa den (eller använd en elektrisk tork eller en varm handduk för uppvärmning).
Vattenpannan överfylls	Det är för mycket mat i kammar eller maten som förvaras innehåller för mycket vatten, vilket leder till tung frostbildning. Dörrarna är inte ordentligt stängda, vilket leder till frostbildning på grund av att luft kommer in och ökad vattenbildning på grund av avfrostning.
Varm utsida	Värmeavledningen från den inbyggda kondensorn sker via höljet, vilket är normalt. När höljet blir varmt på grund av hög omgivande temperatur och förvaring av för mycket mat, rekommenderas det att ge god ventilation för att underlätta värmeavledning.
Ytkondensation	Kondens på utsidan och tätningarna på kylskåpet är normalt när luftfuktigheten i omgivningen är för hög. Torka bara bort kondensvattnet med en ren handduk.
Onormalt ljud	Brummande: Kompressorn kan producera brummande ljud under drift, och dessa ljud är särskilt högljudda vid start och stopp. Detta är normalt. Knarrande: Kylmediet som strömmar inuti apparaten kan producera knarrande ljud, vilket är normalt.

Produktinformationsblad

KOMMISSIONENS DELEGERADE FÖRORDNING (EU) 2019/2016 vad gäller energimärkning av kyl-/frysprodukter

Leverantörens namn eller varumärke: Tesla

Leverantörens adress: Tesla Electronics, Litijska 47, 1000 Ljubljana, SI

Modellbeteckning: RU2700FM

Typ av kyl-/frysprodukt:

Tyst kyl-/frysprodukt:	Nej	Konstruktionstyp:	fristående
Vinkylskåp:	Nej	Annan kyl-/frysprodukt:	Ja

Allmänna produktparametrar:

Parameter	Värde	Parameter	Värde
Totalmått (mm)	Höjd	Totalvolym (dm ³ eller liter)	273
	Bredd		
	Djup		
EEL	100	Energieffektivitetsklass	E
Utsläpp av luftburet akustiskt buller (dB(A) re1 pW)	41	Utsläppsklass för luftburet akustiskt buller	C
Årlig energianvändning (kWh/år)	245	Klimatklass:	utökad tempererad, tempererad, subtropisk, tropisk
Lägsta omgivningstemperatur (°C) för vilken kyl-/frysprodukten är lämpad	10	Högsta omgivningstemperatur (°C) för vilken kyl-/frysprodukten är lämpad	43
Vinterinställning	Nej		

Fackens parametrar:

Typ av fack	Fackens parametrar och värden			
	Fackets volym (dm ³ eller liter)	Rekommenderad temperaturinställning för optimal förvaring av matvaror (°C) Dessa inställningar får inte strida mot de förvaringsförhållanden som fastställs i tabell 3 i bilaga IV.	Infrysningskapacitet (kg/24 h)	Defrosting type (auto-defrost=A, manual defrost=M)
Skafferi	Nej	-	-	-

Vinförvaring	Nej	-	-	-	-
Sval	Nej	-	-	-	-
Färskvaror	Nej	-	-	-	-
Nedkylning	Nej	-	-	-	-
Nollstjärnigt/isfack	Nej	-	-	-	-
Enstjärnigt	Nej	-	-	-	-
Tvåstjärnigt	Nej	-	-	-	-
Trestjärnigt	Nej	-	-	-	-
Fyrstjärnigt	Nej	-	-	-	-
Tvåstjärnigt sektion	Nej	-	-	-	-
Flextemperaturfack	Fyrstjärnigt	259,0	-	12,4	A
Flextemperaturfack	Fyrstjärnigt	14,0	-	-	A
För fyrstjärniga fack					
Snabbinfrysningfunktion			Ja		
Parametrar för ljuskälla:					
Typ av ljuskälla			-		
Energieffektivitetsklass			-		
Kortaste giltighetsperiod för tillverkarens garanti: 24 månader					
Ytterligare information:					
Länk till tillverkarens webbplats, där informationen i punkt 4 a i bilagan till kommissionens förordning (EU) 2019/2019 finns: tesla.info					

TESLA

tesla.info

