

TESLA

REFRIGERATOR

RD2400ME
RD2400MSE

User Manual



Product images are for illustrative purposes only and may differ from the actual product.

SAFETY WARNINGS



Warning: risk of fire / flammable materials

- THIS appliance is intended to be used in household and similar applications such as staff kitchen areas in shops, offices and other working environments; farm houses and by clients in hotels, motels and other residential type environments; bed and breakfast type environments; catering and similar non-retail applications.
 - THIS appliance is not intended for use by persons (including children) with reduced physical, sensory or mental capabilities, or lack of experience and knowledge, unless they have been given supervision or instruction concerning use of the appliance by a person responsible for their safety.)
 - Children should be supervised to ensure that they do not play with the appliance.
 - IF the supply cord is damaged, it must be replaced by the manufacturer, its service agent or similarly qualified persons in order to avoid a hazard.
 - DO not store explosive substances such as aerosol cans with a flammable propellant in this appliance.
 - THE appliance has to be unplugged after use and before carrying out user maintenance on the appliance.
 - WARNING: Keep ventilation openings, in the appliance enclosure or in the built-in structure, clear of obstruction.
 - WARNING: Do not use mechanical devices or other means to accelerate the defrosting process, other than those recommended by the manufacturer.
 - WARNING: Do not damage the refrigerant circuit.
 - WARNING: Do not use electrical appliances inside the food storage compartments of the appliance, unless they are of the type recommended by the manufacturer.
 - WARNING: Please abandon the refrigerator according to local regulators for its use flammable blowing gas and refrigerant.
 - WARNING: When positioning the appliance, ensure the supply cord is not trapped or damaged.
 - WARNING: Do not locate multiple portable socket-outlets or portable power supplies at the rear of the appliance.
 - DO not use extension cords or ungrounded (two prong) adapters.
 - DANGER: Risk of child entrapment. Before you throw away your old refrigerator or freezer:
 - Take off the doors.
 - Leave the shelves in place so that children may not easily climb inside.
 - THE refrigerator must be disconnected from the source of electrical supply before attempting the installation of accessory.
 - REFRIGERANT and cyclopentane foaming material used for the appliance are flammable. Therefore, when the appliance is scrapped, it shall be kept away from any fire source and be recovered by a special recovering company with corresponding qualification other than be disposed by combustion, so as to prevent damage to the environment or any other harm.
 - FOR EN standard: This appliance can be used by children aged from 8 years and above and persons with reduced physical sensory or mental capabilities or lack of experience and knowledge if they have been given supervision or instruction concerning use of the appliance in a safe way and understand the hazards involved. Children shall not play with the appliance. Cleaning and user maintenance shall not be made by children without supervision. Children aged from 3 to 8 years are allowed to load and unload refrigerating appliances.
 - The necessity that, for doors or lids fitted with locks and keys, the keys be kept out of the reach of children and not in the vicinity of the refrigerating appliance, in order to prevent children from being locked inside.
 - TO avoid contamination of food, please respect the following instructions:
 - Opening the door for long periods can cause a significant increase of the temperature in the compartments of the appliance.
 - Clean regularly surfaces that can come in contact with food and accessible drainage systems.
 - Clean water tanks if they have not been used for 48 h; flush the water system connected to a water supply if water has not been drawn for 5 days. (note 1)
 - Store raw meat and fish in suitable containers in the refrigerator, so that it is not in contact with or drip onto other food.
 - Two-star frozen-food compartments are suitable for storing pre-frozen food, storing or making ice-cream and making ice cubes. (note 2)
 - One , two , three-star -and four-star compartments are not suitable for the freezing of fresh food. (note 3)
 - If the refrigerating appliance is left empty for long periods, switch off, defrost, clean, dry, and leave the door open to prevent mould developing within the appliance.
 - For appliances without a 4-star compartment: this refrigerating appliance is not suitable for freezing foodstuffs. (note 4)
- Note 1,2,3,4: Please confirm whether it is applicable according to your product compartment type.
- FOR a freestanding appliance: this refrigerating appliance is not intended to be used as a built-in appliance.
 - ANY replacement or maintenance of the LED lamps is intended to be made by the manufacturer, its service agent or similar qualified person. The energy efficiency class of the lamp is grade G.

INSTALLATION

Location

When selecting a position for your unit you should make sure the floor is flat and firm, and the room is well ventilated. Avoid locating your unit near a heat source, e.g. cooker, boiler or radiator. Also avoid direct sunlight as it may increase the electrical consumption. Extreme cold ambient temperatures may also cause the unit not to perform properly. This unit is

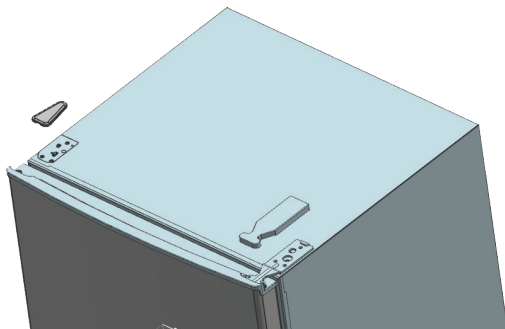
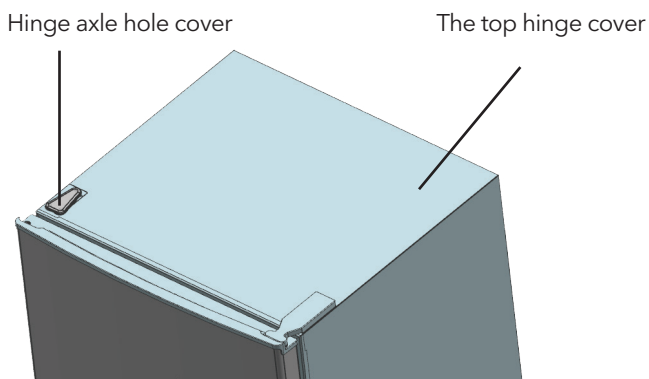
not designed for use in a garage or outdoor installation. Do not drape the unit with any covering.

When installing the unit, ensure that 10 cm of free space is left at both sides, 10 cm at the rear and 30 cm at the top of the unit. This will allow cold air to circulate around the wine cooler and improve the efficiency of the cooling process.

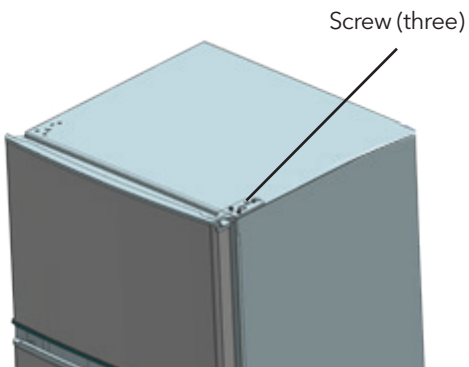
Reversing the Door Swing

Tools Required: Phillips style screwdriver / Flat blated screwdriver / Hexagonal spanner.

1. Remove the right top hinge cover.

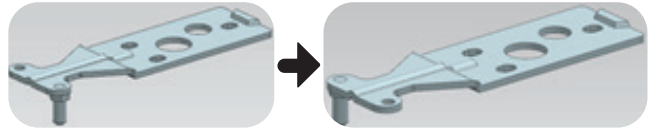


2. Remove the screws fixed the top-hinge with cross-slot screwdriver

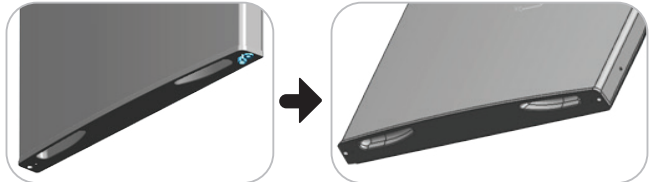


3. Replace the top-hinge and the top-door limit block and the door bearing bush to the other side.

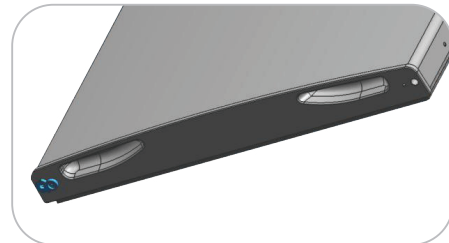
A. Remove the nut with sleeve. Take off the washer then remove the axes to the other side and fixed.



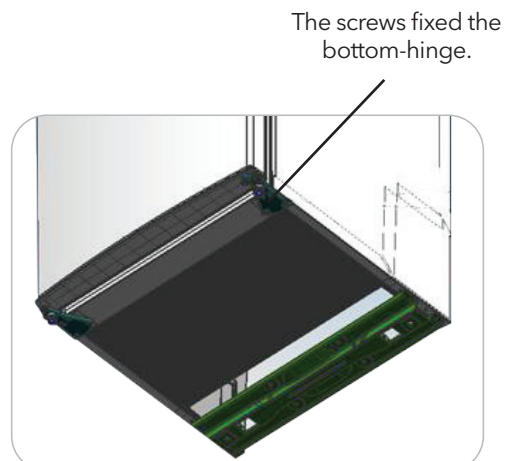
B. Remove the door limit block



C. Please taking out another door limit block, with screw mounting to the door.

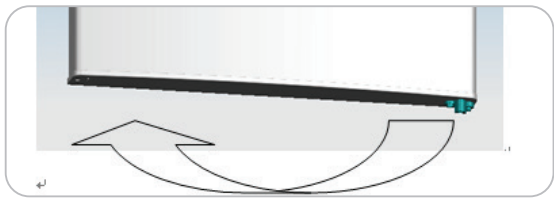


4. Disassemble the screws fixed the bottom-hinge with cross-slot screwdriver.

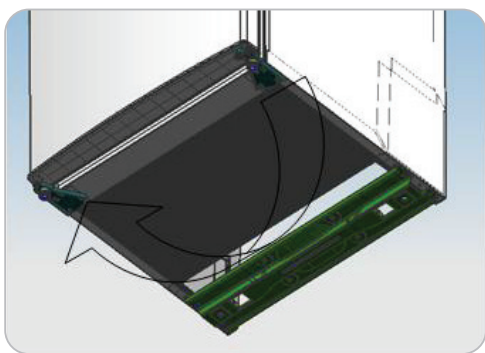


Note: the refrigerator-freezer incline angle less 45°.

5. Replace the bottom door bearing bush and the limit block.



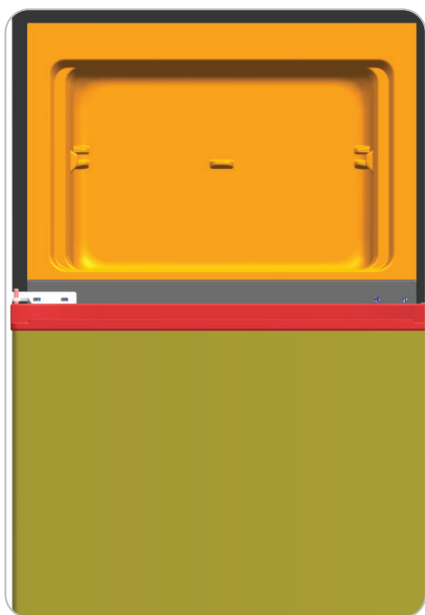
6. Replace the bottom hinge to the other side then fix it with screws.



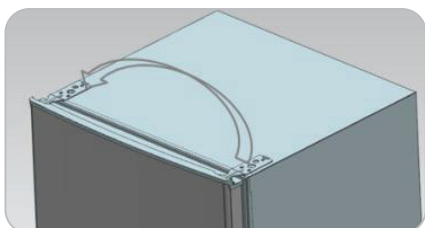
7. Replace the mid-hinge.



8. Set the bottom door right position, fix the mid-hinge.



9. Replace the top-hinge.

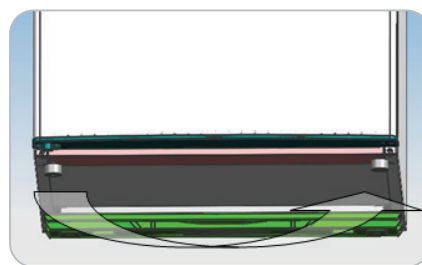


10. Set the top door right position, fix the top-hinge and the cover.



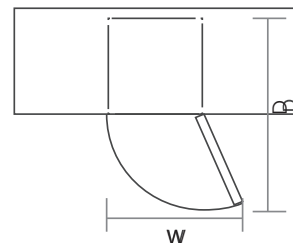
11. Install the four screw caps and two catches to corresponding position.
- Ensure the Appliance is unplugged and empty.
- Adjust the two leveling feet to their highest position.
- We recommend you have someone to assist you.

12. Replace the leveler to the other side and adjust it to make sure the cabinet level.



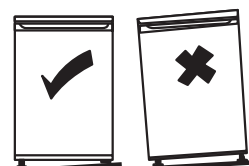
Door Space Requirements

The unit's door must be able to open fully as shown.
W×D≥902×1052mm.



Levelling the Unit

To do this adjust the two levelling feet at the front of the unit. If the unit is not level, the door and magnetic seal alignments will not be covered properly. Make sure that the foot touches the ground before use. Look down from the top, clockwise and counterclockwise loosening, tightening.



Cleaning Before Use

Wipe the inside of the unit with a weak solution of bicarbonate soda. Then rinse with warm water using a 'Wrung-out' sponge or cloth. Wash the shelves and salad bin in warm soapy water and dry completely before replacing in the unit. Clean the exterior of the unit with a damp cloth. If you require more information refer to the Cleaning section.

Before Using Your Unit

Do not damage the power cord under any condition so as to ensure safety use, do not use when the power cord is damaged or the plug is worn. Do not put flammable, explosive, volatile and highly corrosive items in the refrigerator to prevent damages to the product or fire accidents.

Do not place flammable items near the refrigerator to avoid fires. This product is household refrigerators and shall be only suitable for the storage of foods. According to national standards, household refrigerators shall not be used for other purposes, such as storage of blood, drugs or biological products. Do not place items such as bottled or sealed container of fluid such as bottled beers and beverages in the freezer to prevent bursts and other losses.

Before placing any food in your unit, turn it on and wait for 24 hours, to make sure it is working properly and to allow it time to fall to the correct temperature. Your unit should not be overfilled.



• Before Plugging in

You must check that you have a socket which is compatible with the plug supplied with the unit.

• Before Turning On!

Do not turn on until two hours after moving the unit.

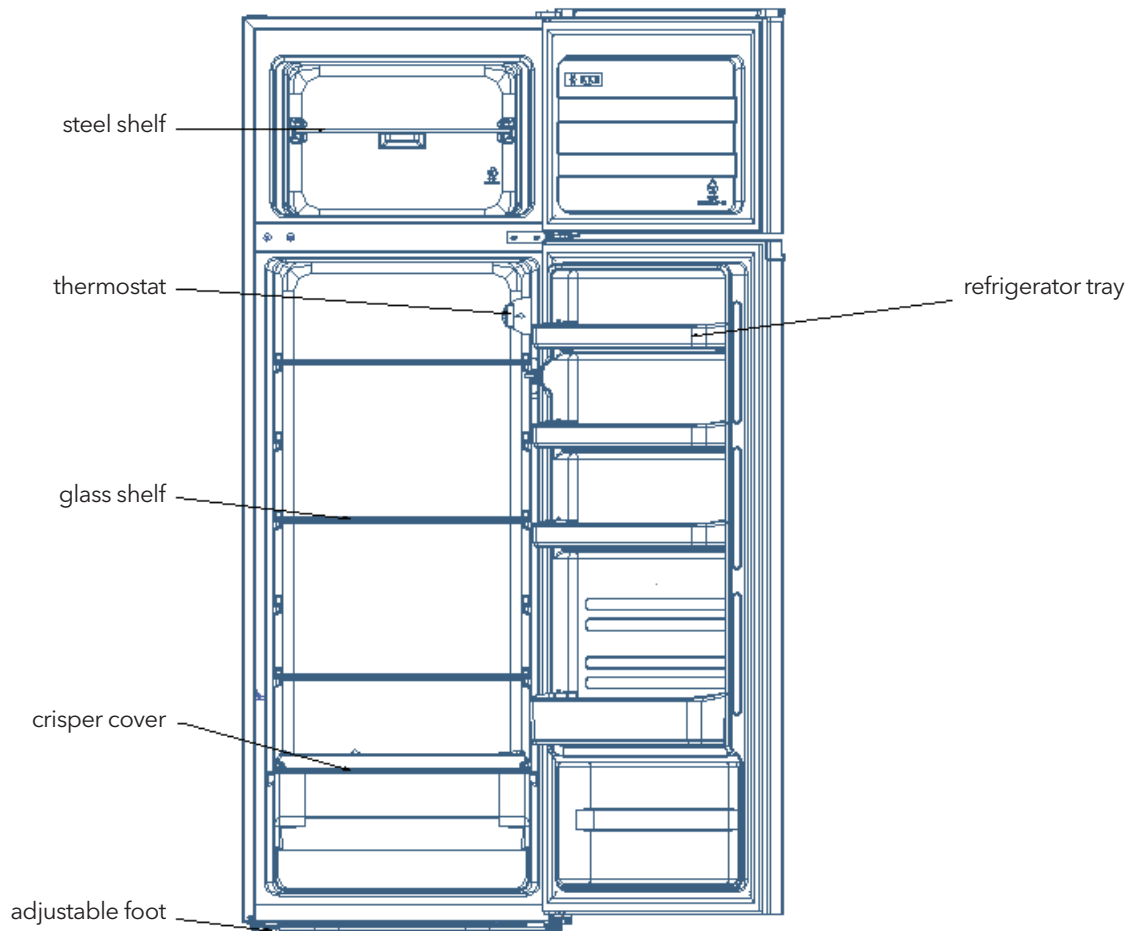
Interior Accessories

Various glass or plastic storage shelves are included with your appliance - different models have different combinations. You should always slide one of the full size glass storage shelves into the lowest set of guides, above the fruit and vegetable containers, and keep it in this position. To do this, pull the storage shelf forward until it can be swivelled upwards or downwards and removed. Please do the same in reverse to insert the shelf at a different height.



In order to make the most of the volume of the fresh food storage compartment and frozen-food storage compartment, the user can remove one or more shelves, drawers, out of the appliance, according to your daily use.

PRODUCT OVERVIEW



Drawers, food boxes, shelves, etc. placed according to the position in the picture above are the most energy efficient. *All images in this instruction manual are for indication only; please refer to your individual unit for details.

OPERATION

Switching On Your Unit

- The temperature selector knob is located on the right hand side wall of the refrigerator interior wall of the refrigerator interior Setting "Off": Unit Off Setting "Min": Less Cool Temperature
- Setting "Med": Normal Operation (adequate for most situations) Setting "Max": Coolest Temperature
- During high ambient temperatures e.g. on hot summer days. It may be necessary to set the thermostat to the Coolest setting (position "Max"). This may cause the compressor running continuously in order to maintain a low temperature in the cabinet.
- For the first time you install your refrigerator, set the thermostat knob at "Med".
- Give your refrigerator time to cool down completely before adding food. It is the best to wait 24 hours before adding food. The thermostat knob controls the temperature. When the thermostat control knob is set to OFF, the refrigerator will not be running.

Noise Inside the Unit!

You may notice that your unit makes some unusual noises. Most of these are perfectly normal, but you should be aware of them!

These noises are caused by the circulation of the refrigerant

liquid in the cooling system. It has become more pronounced since the introduction of CFC free gases. This is not a fault and will not affect the performance of your unit. This is the compressor motor working, as it pumps the refrigerant around the system.

Tips for Keeping Food in the Unit

- Cooked meats/fishes should always be stored on a shelf above raw meats/fishes to avoid bacterial transfer. Keep raw meats/fishes in a container which is large enough to collect juices and cover it properly. Place the container on the lowest shelf.
- Leave space around your food, to allow air to circulate inside the unit. Ensure all parts of the unit are kept cool.
- To prevent transfer of flavours and drying out, pack or cover the food separately. Fruit and vegetables do not need to be wrapped.
- Always let pre-cooked food cool down before you put in the unit. This will help to maintain the internal temperature of the unit.
- To prevent cold air escaping from the unit, try to limit the number of times you open the door. We recommend that you only open the door when you need to put food in or take food out.

Change the Light Bulb

Lamp replacement by professionals

CLEANING

Defrosting

Auto-defrost for Frost-free Refrigerator

Cleaning the Interior and the Exterior of the Unit

- Dusts behind the refrigerator and on the ground shall be timely cleaned to improve the cooling effect and energy saving.
- Check the door gasket regularly to make sure there are no debris. Clean the door gasket with a soft cloth dampened with soapy water or diluted detergent.
- The interior of the refrigerator should be cleaned regularly to avoid odor.
- Please turn off the power before cleaning interior, remove all foods, drinks, shelves, drawers, etc.
- Use a soft cloth or sponge to clean the inside of the refrigerator, with two tablespoons of baking soda and a quart of warm water. Then rinse with water and wipe clean. After cleaning, open the door and let it dry naturally before turning on the power.
- For areas that are difficult to clean in the refrigerator (such as narrow sandwiches, gaps or corners), it is recommended to wipe them regularly with a soft rag, soft brush, etc. and when necessary, combined with some auxiliary tools (such as thin sticks) to ensure no contaminants or bacteria accumulation in these areas.

- Do not use soap, detergent, scrub powder, spray cleaner, etc., as these may cause odors in the interior of the refrigerator or contaminated food.
- Clean the bottle frame, shelves and drawers with a soft cloth dampened with soapy water or diluted detergent. Dry with a soft cloth or dry naturally.
- Wipe the outer surface of the refrigerator with a soft cloth dampened with soapy water, detergent, etc., and then wipe dry.
- Do not use hard brushes, clean steel balls, wire brushes, abrasives (such as toothpastes), organic solvents (such as alcohol, acetone, banana oil, etc.), boiling water, acid or alkaline items, which may damage the fridge surface and interior. Boiling water and organic solvents such as benzene may deform or damage plastic parts.
- Do not rinse directly with water or other liquids during cleaning to avoid short circuits or affect electrical insulation after immersion.

Cleaning Tips

Condensation may appear on the outside of the unit. This may be due to a change in room temperature. Wipe of any moisture residue. If the problem continues, please contact a qualified technician for assistance.

MAINTENANCE

Changing the Internal Light

Lamp replacement by professionals.

Care When Handling / Moving Your Unit

Hold the unit around its sides or base when moving it. Under no circumstances should it be lifted by holding the edges of the top surface.

Servicing

The unit should be serviced by an authorized engineer and only genuine spare parts should be used. Under

no circumstances should you attempt to repair the unit yourself. Repairs carried out by inexperienced persons may cause injury or serious malfunction. Contact a qualitatively technician.

Switching Of for Long Periods of Time

When the unit is not in use for a long period of time, disconnect it from the mains supply, empty all food and clean the appliance, leaving the door ajar to prevent unpleasant smells.

TROUBLESHOOTING

The following simple issues can be handled by the user. Please call the after-sale service department if the issues are not settled.

Inoperation	Whether the freezer is plugged and connected to power; Low voltage; Failure power or tripping circuit
Odor	Odorous foods should closely wrapped; Whether foods are rotten; Whether the interior shall be cleaned.
Long-term operation of compressor	It is normal that refrigerator operates for longer time in summer when the ambient temperature is higher; Do not put too much food in the freezer at one time; Do not put foods until they are cooled; Frequent opening of refrigerator door.
Illuminating light does not shine	Whether the refrigerator is connected to power, whether the illuminating light is damaged.
The refrigerator door cannot be properly closed.	The freezer door is stuck by food packages; Too much food; Tilt refrigerator.
Loud noises	Whether the food is leveled, whether the refrigerator is balanced; Whether the refrigerator parts are properly placed.

Tips

- The refrigerator enclosure may emit heat during operation specially in summer, this is caused by the radiation of the condenser, and it is a normal phenomenon.
- Condensation: condensation phenomenon will be detected on the exterior surface and door seals of the freezer when the ambient humidity is large, this is a normal phenomenon, and the condensation can be wiped away with a dry towel.
- Buzz: Buzz will be generated by running compressor specially when starting up or shutting down.


TIPS FOR ENERGY SAVING

Warning for energy

1. Refrigerating appliances might not operate consistently (possibility of defrosting of contents or temperature becoming too warm in the frozen food compartment) when sited for an extended period of time below the cold end of the range of temperatures for which the refrigerating appliance is designed.
2. The fact that effervescent drinks should not be stored in food freezer compartments or cabinets or in low-temperature compartments or cabinets, and that some products such as water ices should not be consumed too cold;
3. The need to not exceed the storage time(s) recommended by the food manufacturers for any kind of food and particularly for commercially quick-frozen food in food-freezer and frozen-food storage compartments or cabinets;
4. The precautions necessary to prevent an undue rise in the temperature of the frozen food while defrosting the refrigerating appliance, such as wrapping the frozen food in several layers of newspaper.
5. The fact that a rise in temperature of the frozen food during manual defrosting, maintenance or cleaning could shorten the storage life.

DISPOSAL

Old units still have some residual value. An environmentally friendly method of disposal will ensure that valuable raw materials can be recovered and used again. The refrigerant used in your unit and insulation materials require special disposal procedures. Ensure that none of the pipes on the back of the unit are damaged prior to disposal. Up to date information concerning options of disposing of your old unit and packaging from the new one can be obtained from your local council office. When disposing of an old unit break of any old locks or latches and remove the door as a safeguard.

Correct Disposal of this product	
	<p>Correct Disposal of this product This marking indicates that this product should not be disposed with other household wastes throughout the EU. To prevent possible harm to the environment or human health from uncontrolled waste disposal, recycle it responsibly to promote the sustainable reuse of material resources. To return your used device, please use the return and collection systems or contact the retailer where the product was purchased. They can take this product for environmental safe recycling.</p>

For more information, please contact the local authority or your retailer where you purchased the product.

Table 1 Climate classes

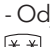
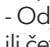
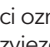


Class	Symbol	Ambient temperature range °C
Extended temperate	SN	+10 to +32
Temperate	N	+ 16 to +32
Subtropical	ST	+16 to + 38
Tropical	T	+ 16 to + 43

Extended temperate: 'this refrigerating appliance is intended to be used at ambient temperatures ranging from 10 °C to 32 °C';
 temperate: 'this refrigerating appliance is intended to be used at ambient temperatures ranging from 16 °C to 32 °C';
 Subtropical: 'this refrigerating appliance is intended to be used at ambient temperatures ranging from 16 °C to 38 °C';
 Tropical: 'this refrigerating appliance is intended to be used at ambient temperatures ranging from 16 °C to 43 °C';

BEZBJEDNOSNA UPOZORENJA



Upozorenje: rizik od požara / zapaljivi materijali

- OVAJ uređaj je namijenjen za upotrebu u domaćinstvima i sličnom okruženju poput kuhinja za osoblje u prodavnicama, kancelarijama i drugom radnom okruženju; poljoprivrednih domaćinstava i hotela, motela i ostalih objekata rezidencijalnog tipa, gdje se stavlja na raspolaganje klijentima; objekata koji pružaju uslugu noćenja sa doručkom; kateringa i u slične neprodajne namjene.
 - NIJE predviđeno da ovaj uređaj koriste osobe (uključujući djecu) sa umanjnim fizičkim, senzornim ili mentalnim sposobnostima, ili sa nedostatkom iskustva i znanja, osim ukoliko su pod nadzorom osobe odgovorne za njihovu bezbjednost ili ukoliko im je pomenuta osoba pružila objašnjenje u vezi sa upotrebom uređaja.
 - Djecu je potrebno nadgledati kako biste bili sigurni da se ne igraju uređajem.
 - UKOLIKO je kabal za napajanje oštećen, potrebno je da njegovu zamjenu obavi proizvođač, njegov ovlašteni serviser ili lica sa sličnim kvalifikacijama kako bi se izbjegao nastanak opasnosti.
 - NEMOJTE držati eksplozivne supstance poput aerosol boca sa zapaljivim potisnim gasom u ovom uređaju.
 - UREĐAJ je potrebno iskopčati iz utičnice nakon upotrebe, a prije njegovog korisničkog održavanja.
 - UPOZORENJE: Povedite računa da ventilacioni otvori ne budu blokirani unutar ugradbenog dijela ili ugradbene konstrukcije za uređaj.
 - UPOZORENJE: Ne upotrebljavajte mehanička sredstva ili druge postupke za ubravanje procesa otapanja, ukoliko nisu preporučeni od strane proizvođača.
 - UPOZORENJE: Ne oštećujte instalacije za rashladno sredstvo.
 - UPOZORENJE: Ne upotrebljavajte električne uređaje unutar odjeljaka za držanje hrane ovog uređaja, osim ukoliko su u pitanju tipovi uređaja preporučeni od strane proizvođača.
 - UPOZORENJE: Frižider odložite u skladu sa lokalnim propisima jer se za njegov rad upotrebljavaju zapaljivi eksplozivni gas i rashladno sredstvo.
 - UPOZORENJE: Prilikom pozicioniranja uređaja, uvjerite se da kabal za napajanje nije pritisnut ili oštećen.
 - UPOZORENJE: Nemojte postavljati prenosive produžne kablove sa više utičnica ili prenosive akumulatore iza uređaja.
 - NE upotrebljavajte produžne kablove ili neuzemljene (sa dva kraka) adaptere.
 - OPASNOST: Rizik od zatvaranja djece unutar uređaja. Prije nego što odbacite svoj stari frižider ili zamrzivač:
 - Skinite vrata.
 - Ostavite police unutar uređaja kako djeca ne bi mogla da se lako uvuku unutra.
 - PRIJE nego što se započne sa postupkom instalacije nekog pratećeg elementa, frižider je potrebno iskopčati sa izvora napajanja.
 - RASHLADNO sredstvo i pjenušavo sredstvo ciklopentan, koji se upotrebljavaju u okviru frižidera, su zapaljivi.
 - Stoga, prilikom odlaganja frižidera, držite ga dalje od izvora plamena i, umjesto da ga odložite sagorjevanjem, predajte ga nekoj od specijalizovanih kompanija za recikliranje sa odgovarajućim kvalifikacijama kako bi se omogućilo njegovo ponovno iskorištenje, jer ćete na taj način spriječiti štetne efekte po životnu sredinu ili druge opasnosti.
 - ZA EN standard: Ovaj uređaj mogu upotrebljavati djeca starosti od 8 ili više godina i osobe sa umanjnim fizičko-senzornim ili mentalnim sposobnostima ili nedostatkom iskustva i znanja ukoliko su pod nadzorom ili su upućeni u bezbjedno korištenje uređaja i shvataju opasnosti koje njegova upotreba nosi. Djeca se ne smiju igrati uređajem. Djeca ne smiju da obavljaju čišćenje i korisničko održavanje uređaja bez nadzora. Djeca starosti od 3 do 8 godina mogu stavljati hranu u ili je uzimati iz uređaja za rashlađivanje.
 - Ključevi od vrata ili poklopaca sa bravama moraju se držati van domašaja djece i ne smiju biti u neposrednoj blizini uređaja, kako se djeca ne bi zaključala iznutra.
 - KAKO biste izbjegli kontaminiranje hrane, pridržavajte se sljedećih uputstava:
 - Dugo držanje vrata uređaja otvorenim može da dovede do značajnog rasta temperature unutar odjeljaka uređaja.
 - Redovno čistite površine koje mogu da dođu u dodir sa hranom, kao i pristupačne dijelove odvodnog sistema.
 - Očistite posude za vodu ukoliko ih niste koristili tokom vremenskog perioda od 48 h; ukoliko tokom vremenskog perioda od 5 dana niste uzimali vodu iz uređaja, isperite sistem za protok vode povezan na dovod vode. (napomena 1)
 - Sirovo meso i ribu unutar frižidera držite u odgovarajućim posudama kako ove namirnice ne bi došle u dodir sa ili kako ne bi kapale po ostaloj hrani.
 - Odjeljci za smrznutu hranu označeni sa dvije zvjezdicama  pogodni su za držanje prethodno smrznute hrane, za držanje ili pravljenje sladoleda i za pravljenje kockica leda. (napomena 2)
 - Odjeljci označeni jednom , sa dvije , sa tri  ili četiri zvjezdice  nisu pogodni za zamrzavanje svježe hrane. (napomena 3)
 - Ukoliko će uređaj za rashlađivanje biti prazan tokom dužeg vremenskog perioda, isključite ga, odledite, očistite i osušite, a zatim ostavite vrata uređaja otvorenim kako biste spriječili razvoj buđi u unutrašnjosti uređaja.
 - Kod uređaja koji nemaju odjeljak označen sa četiri zvjezdice: ovaj uređaj za rashlađivanje nije pogodan za zamrzavanje namirnica. (napomena 4)
- Napomene 1, 2, 3, 4: Provjerite da li su navedene informacije primjenjive na tipove odjeljaka Vašeg proizvoda.
- ZA samostojeće uređaje: nije predviđeno da se ovaj uređaj za rashlađivanje upotrebljava kao ugradbeni uređaj.
 - PREDVIĐENO je da svaki postupak zamjene ili održavanja LED lampica obavlja proizvođač, njegov ovlašteni serviser ili lica sa sličnim kvalifikacijama. Lampica pripada klasi G energetske efikasnosti.

INSTALACIJA

Lokacija

Prilikom izbora lokacije za Vaš uređaj, uvjerite se da je podloga ravna i čvrsta, kao i da je provjetrenost u prostoriji dobra. Izbjegavajte postavljanje uređaja u blizini izvora toplote, npr. šporeta, bojlera ili radijatora. Takođe, izbjegavajte direktno izlaganje suncu, jer ovo može da dovede do povećane potrošnje električne energije. Izuzetno niske sobne temperature takođe mogu prouzrokovati loš rad

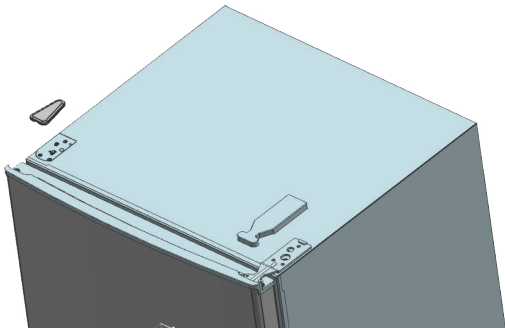
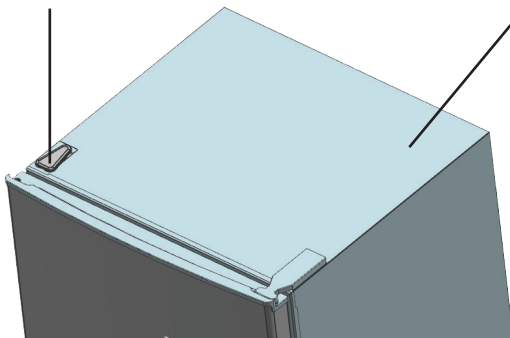
uređaja. Ovaj uređaj nije namijenjen za upotrebu u garažama, kao ni za postavljanje na otvorenom. Ne prekrivajte uređaj. Prilikom postavljanja, provjerite da li je sa obje strane uređaja ostavljen razmak širine 10 cm, kao i 10 cm od zadnje i 30 cm od gornje površine uređaja. Na ovaj način ćete omogućiti cirkulisanje hladnog vazduha oko vinske vitrine i poboljšati efikasnost postupka hlađenja.

Promjena smjera otvaranja vrata

Potreban alat: Krstasti odvijač / ravni odvijač / šestougaoni ključ

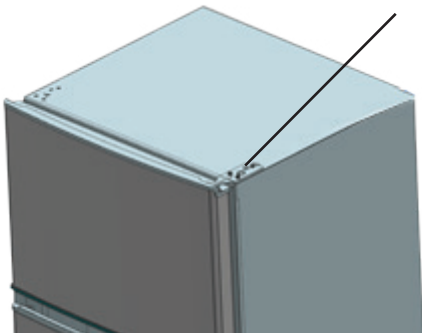
1. Uklonite poklopac za osovinu gornje šarke.

Poklopac otvora za osovinu šarke Poklopac za gornju šarku



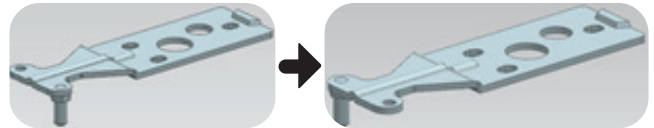
2. Pomoću krstastog odvijača, uklonite šrafove kojima je pričvršćena gornja šarka.

Šraf (tri)

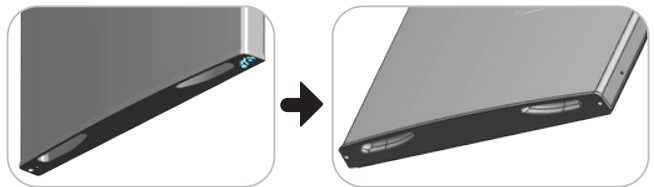


3. Premestite gornju šarku i gornji graničnik za vrata, kao i nosač vrata na drugu stranu.

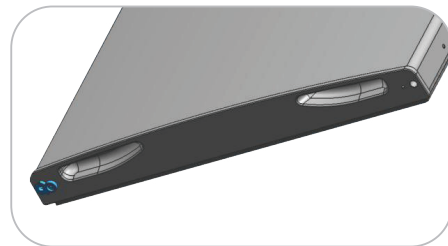
A. Skinite navrtku sa nosačem. Skinite podlošku, a zatim premjestite osovinu na drugu stranu i pričvrstite je.



B. Skinite graničnik za vrata

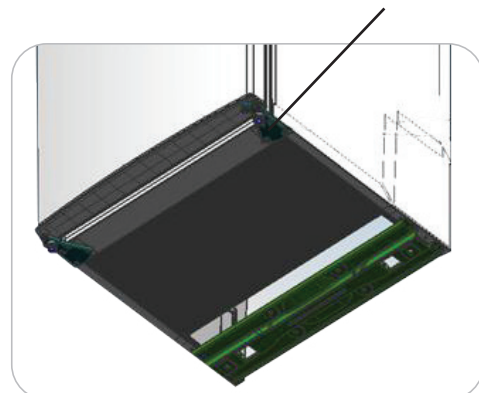


C. Molimo Vas da pripremite drugi graničnik za vrata i da ga šrafovima pričvrstite za vrata



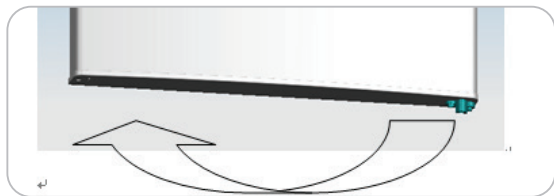
4. Skinite šrafove kojima je pričvršćena donja šarka pomoću krstastog odvijača.

Šrafovi kojima je pričvršćena donja šarka

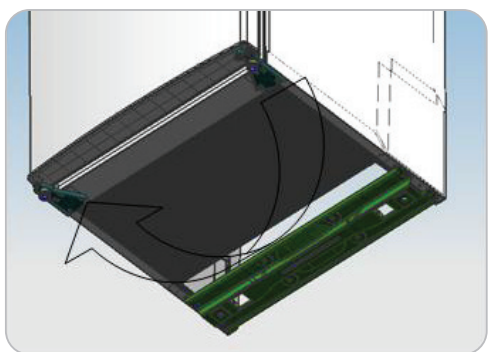


Napomena: ugao naginjanja frižidera-zamrzivača je manje od 45°.

6. Premjestite donju šarku na drugu stranu, a zatim je pričvrstite šrafovim.



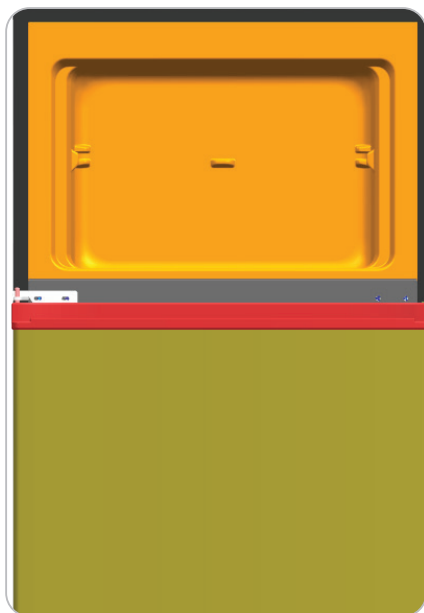
6. Premestite donju šarku na drugu stranu, a zatim je pričvrstite šrafovim.



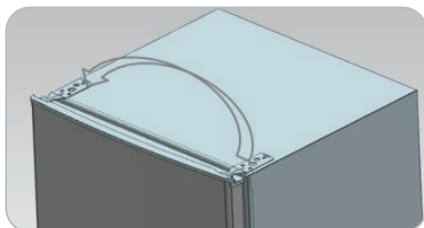
7. Premjestite središnju šarku.



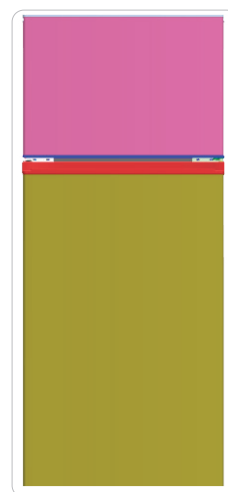
8. Postavite donja vrata u odgovarajuću poziciju i pričvrstite središnju šarku.



9. Premjestite gornju šarku.



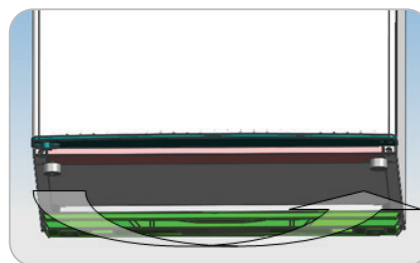
10. Postavite gornja vrata u odgovarajuću poziciju, pričvrstite gornju šarku i poklopac.



11. Postavite četiri kapice za šrafove i dvije reze na odgovarajuća mesta.

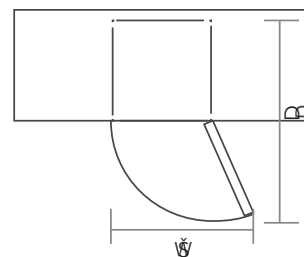
- Uvjerite se da je uređaj isključen iz struje i ispražnjen.
- Dvije nožice za nivelisanje podesite na najvišu poziciju
- Preporučujemo Vam da ovo ne radite sami.

12. Prebacite nivelator na drugu stranu i podesite ga tako da budete sigurni da je uređaj iznivelisan.



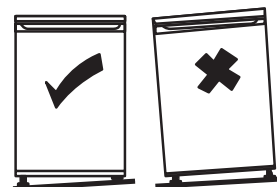
Potreban prostor za vrata

Potrebno je ostaviti dovoljno prostora za potpuno otvaranje vrata uređaja na način prikazan na slici. $\text{Š} \times \text{D} \geq 902 \times 1052 \text{ mm}$.



Nivelisanje uređaja

Obavlja se podešavanjem dvije nožice za nivelisanje, koje se nalaze na prednjoj strani uređaja. Ukoliko uređaj nije iznivelisan, vrata i magnetna zaptivka neće pravilno prijanjati. Prije upotrebe provjerite da li nožica dodiruje podlogu. Gledano odozgo, okrećite u smjeru kretanja kazaljke na satu ili u smjeru suprotnom od kretanja kazaljke na satu radi otpuštanja ili zatezanja.



Čišćenje prije upotrebe

Unutrašnjost uređaja prebrišite slabim rastvorom sode bikarbone. Zatim isperite toplom vodom pomoću sunđera ili krpe koju je moguće cijediti. Police i odjeljak za salate operite toplom vodom sa sapunicom i potpuno ih osušite prije ponovnog postavljanja u uređaj. Spoljašnji dio uređaja očistite vlažnom krpom. Ukoliko Vam je potrebno više informacija, pogledajte odjeljak Čišćenje.

Prije upotrebe uređaja

Kako biste osigurali bezbjednost prilikom upotrebe, ni pod kojim uslovima ne oštećujte kabl za napajanje i ne upotrebljavajte uređaj ukoliko je kabl za napajanje oštećen ili ukoliko je utikač istrošen.

Da biste spriječili oštećenja proizvoda ili pojavu požara, ne stavljajte u frižider zapaljive, eksplozivne i isparljive predmete, kao ni predmete koji lako korodiraju.

Da biste izbjegli pojavu požara, ne stavljajte zapaljive predmete blizu frižidera.

Ovaj proizvod je frižider namijenjen za upotrebu u domaćinstvima i pogodan je isključivo za čuvanje hrane. Prema nacionalnim standardima, frižideri namijenjeni za upotrebu u domaćinstvima se ne smiju koristiti ni u kakve druge svrhe, kao što su skladištenje krvi, lijekova ili bioloških proizvoda.

Ne stavljajte u zamrzivač predmete kao što su flaširane tečnosti ili tečnosti u zaptivenim sudovima, poput flaširanih piva i pića, kako biste izbjegli njihovo pucanje i drugu štetu.

Pre nego što u svoj uređaj stavite bilo kakvu hranu, uključite ga i sačekajte 24 sata, kako biste bili sigurni da radi na odgovarajući način i kako biste mu ostavili dovoljno vremena da temperaturu spusti na odgovarajuće vrijednosti. Uređaj ne treba prepunjavati.



• Prije povezivanja na struju

Morate provjeriti da li imate utičnicu kompatibilnu sa utikačem dostavljenim uz uređaj.

• Prije nego što uključite uređaj!

Uređaj ne uključujte bar dva sata nakon njegovog prenošenja.

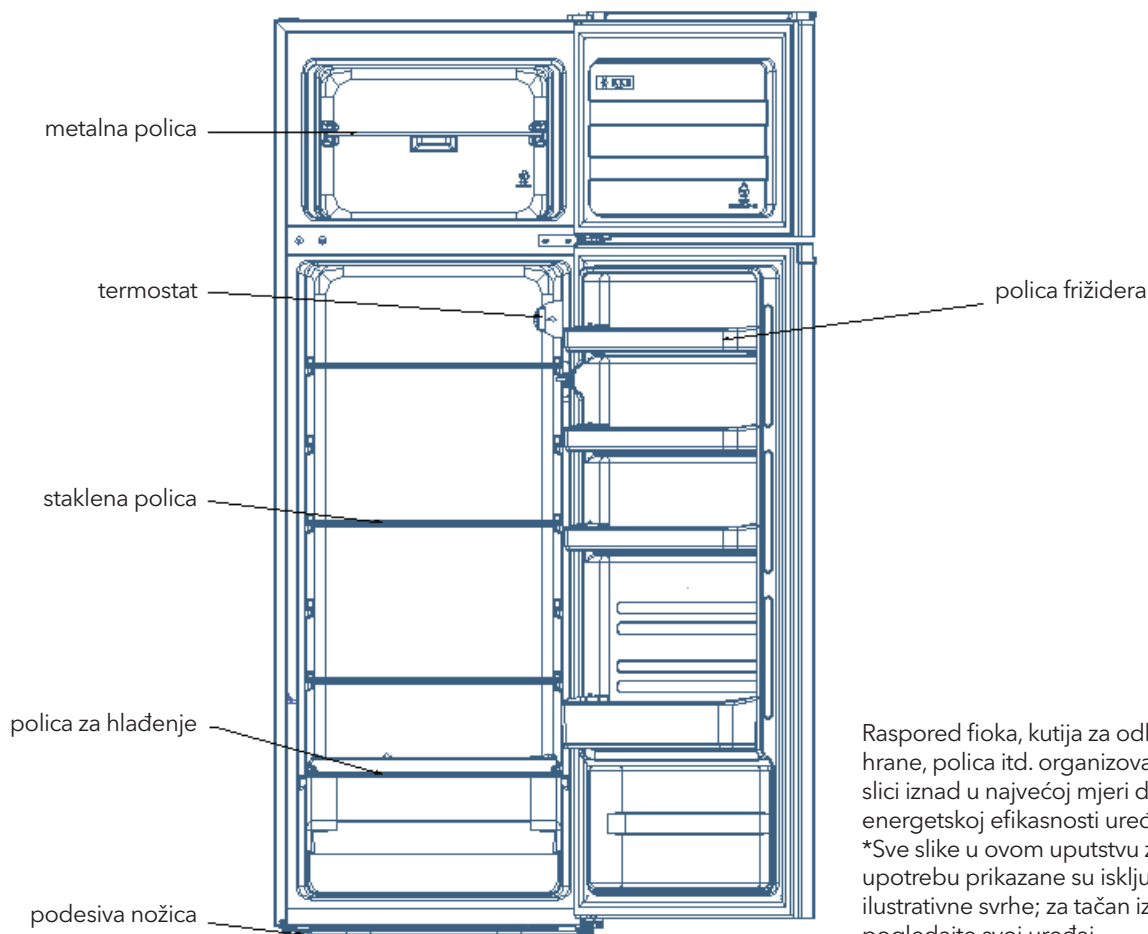
Unutrašnji prateći elementi

Vaš uređaj sadrži različite staklene ili plastične police za odlaganje - kombinacije se razlikuju zavisno od modela. Jednu od staklenih policica za odlaganje, koja zahvata kompletnu površinu uređaja, treba uvijek kliznim pokretom ubaciti u najniže vodice, iznad odjeljaka za voće i povrće, i ostaviti je na tom mestu. Ovo uradite tako što ćete povući policicu za odlaganje ka naprijed, do položaja u kome je moguće njeno rotiranje ka gore ili dolje i uklanjanje. Da policicu postavite na neku drugu visinu, pratite gore navedene korake, samo obrnutim redosledom.



Kako biste maksimalno iskoristili zapreminu odjeljka za čuvanje sveže hrane i odeljka za čuvanje smrznute hrane, možete ukloniti jednu ili više policica i fioka iz uređaja, zavisno od Vaših svakodnevnih potreba.

PRIKAZ PROIZVODA



Raspored fioka, kutija za odlaganje hrane, policica itd. organizovan prema slici iznad u najvećoj mjeri doprinosi energetskej efikasnosti uređaja.

*Sve slike u ovom uputstvu za upotrebu prikazane su isključivo u ilustrativne svrhe; za tačan izgled, pogledajte svoj uređaj.

RAD UREĐAJA

Uključivanje uređaja

- Dugme za izbor temperature nalazi se na desnom zidu, u unutrašnjosti frižidera
Podešavanje na „Isključeno“ (Off): Uređaj je isključen
Podešavanje na „Min“: Manja jačina hlađenja
Podešavanje na „Med“: Normalan rad (odgovara većini situacija)
Podešavanje na „Max“: Najjače hlađenje
- Pri visokim sobnim temperaturama, npr. tokom vrelih letnjih dana može biti potrebno da se termostat podesi na Najjače hlađenje (pozicija „Max“). Ovo za rezultat može imati neprekidan rad kompresora u cilju održavanja niske temperature u uređaju.
- Prilikom inicijalnog postavljanja frižidera, dugme termostata podesite na „Med“. Prije nego što počnete da ubacujete hranu, ostavite frižider da se potpuno ohladi. Najbolje je sačekati 24 sata prije stavljanja hrane u frižider. Dugmetom termostata se kontroliše temperatura. Ukoliko je kontrolno dugme termostata podešeno na ISKLJUČENO (OFF), frižider neće raditi.

Buka unutar uređaja!

Možda ćete primijetiti da Vaš uređaj pravi određene neobične zvuke. Većina pomenutih zvukova je savršeno normalna, ali je potrebno da ih budete svjesni!

ČIŠĆENJE

Otapanje

Automatsko odmrzavanje za frost-free frižider

Čišćenje unutrašnjosti i spoljašnjosti jedinice

- Da biste unaprijedili efekat hlađenja i uštedu energije, redovno čistite prašinu iza frižidera i sa podloge.
- Redovno provjeravajte zaptivku na vratima kako biste bili sigurni da na njoj nema prljavštine. Očistite zaptivku na vratima mekanom krpom navlaženom vodom sa sapunicom ili razblaženim deterdžentom.
- Da izbjegnute stvaranje neprijatnih mirisa, redovno čistite unutrašnjost frižidera.
- Prije nego što započnete sa čišćenjem unutrašnjosti frižidera, isključite ga iz struje, uklonite svu hranu, pića, police, fioke, itd.
- Za čišćenje unutrašnjosti frižidera koristite mekanu krpu ili spužvu sa dvije supene kašike sode bikarbone i četvrtinu litre tople vode. Zatim isperite vodom i obrišite. Nakon čišćenja, otvorite vrata i, prije nego što uređaj priključite na napajanje, ostavite ga da se prirodno osuši.
- Za čišćenje teško dostupnih dijelova frižidera (poput uskih otvora, proreza ili uglova), preporučuje se redovno brisanje mekanom krpom, mekanom četkom, itd., po potrebi u kombinaciji sa nekim pomoćnim alatom (poput tankih štapića), čime se na pomenutim mjestima spriječava akumuliranje kontaminanata ili bakterija.

Zvukovi nastaju usled cirkulisanja tečnog rashladnog sredstva unutar sistema za hlađenje. Ovo je postalo izraženije nakon uvođenja gasova koji ne sadrže hloroflorougljenike (HFU). Ovo ne predstavlja grešku i neće uticati na rad Vašeg uređaja. Radi se o zvuku rada motora kompresora tokom pumpanja rashladnog sredstva kroz sistem.

Savjeti za čuvanje hrane u uređaju

- Termički obrađeno meso/ribu treba uvijek odlagati na polici iznad sirovog mesa/ribe kako bi se izbjeglo rasejavanje bakterija. Sirovo meso/ribu držite u posudi koja je dovoljno velika da zadrži sokove mesa i adekvatno je poklopite. Posudu stavite na najnižu policu.
- Ostavite razmak između hrane kako biste omogućili cirkulisanje vazduha unutar uređaja. Uvjerite se da su svi dijelovi uređaja rashlađeni.
- Kako biste spriječili poprimanje mirisa i sušenje, hranu zasebno pakujte ili poklapajte. Voće i povrće nije potrebno uvijati.
- Hranu koja je prethodno termički obrađena uvijek ostavite da se ohladi prije nego što je stavite u uređaj. Na ovaj način potpomažete održavanju unutrašnje temperature uređaja.
- Kako biste spriječili rasipanje hladnog vazduha iz uređaja, pokušajte da ograničite broj otvaranja vrata uređaja. Preporučujemo Vam da vrata otvarate samo kada je potrebno staviti hranu u uređaj ili je izvaditi iz njega.

Zamjena sijalice

Zamjenu sijalice treba da obave stručne osobe.

- Ne upotrebljavajte sapun, deterdžent, prah za čišćenje, sredstva za čišćenje u spreju, itd., jer pomenuta sredstva mogu dovesti do stvaranja neprijatnih mirisa u unutrašnjosti frižidera ili kontaminiranja hrane.
- Policu za flaše, police i fioke očistite pomoću mekane krpe navlažene vodom sa sapunicom ili razblaženim deterdžentom. Osušite mekanom krpom ili ostavite da se prirodno osuši.
- Spoljašnje površine frižidera prebrišite mekanom krpom navlaženom vodom sa sapunicom, deterdžentom, itd., a zatim osušite krpom.
- Ne upotrebljavajte tvrde četke, čelične žice za čišćenje, žičane četke, abrazivna sredstva (poput pasta za zube), organske rastvarače (poput alkohola, acetona, ulja banane itd.), ključalu vodu ili kisela ili alkalna sredstva, koja mogu da oštete površine i unutrašnjost frižidera. Ključala voda i organski rastvarači, poput benzina, mogu da deformišu ili oštete dijelove od plastike.
- Tokom čišćenja, uređaj nemojte direktno ispirati vodom ili drugim tečnostima, kako biste izbjegli nastanak kratkog spoja ili oštećenja na materijalima koji pružaju električnu izolaciju nakon potapanja.

Savjeti za čišćenje

Na spoljašnjosti uređaja može doći do formiranja kondenza. Razlog ovome može biti promjena vrijednosti sobne temperature. Vlažne dijelove obrišite. Ukoliko ovaj problem nastavi da se javlja, za pomoć se obratite kvalifikovanom tehničkom licu.

ODRŽAVANJE

Zamjena unutrašnjeg osvjetljenja

Zamjenu sijalice treba da obave stručne osobe.

Oprez prilikom rukovanja / prenošenja Vašeg uređaja

Prilikom prenošenja, uređaj pridržavajte oko bočnih strana ili za osnovu. Uređaj ni pod kojim uslovima ne treba podizati držeći ga za ivice gornje površine.

Servisiranje

Servisiranje uređaja treba da obavi ovlašćeno tehničko lice,

koje će tom prilikom koristiti isključivo originalne rezervne dijelove. Popravku uređaja ni pod kojim uslovima ne pokušavajte da obavljate sami. Popravke koje obavljaju osobe bez iskustva za rezultat mogu imati povređivanje ili ozbiljan kvar. Obratite se kvalifikovanom tehničkom licu.

Isključivanje uređaja tokom dužeg vremenskog perioda

Kada uređaj ne upotrebljavate tokom dužeg vremenskog perioda, isključite ga iz struje, ispraznite ga od hrane i očistite, a vrata djelimično otvorite kako biste spriječili stvaranje neprijatnih mirisa.

OTKLANJANJE PROBLEMA

Korisnik može da sam riješi jednostavne probleme navedene dalje u tekstu. Ukoliko probleme ne uspijete da razriješite, pozovite sektor za usluge održavanja.

Uređaj ne radi	Provjerite da li je zamrzivač uključen u struju; Nizak napon; Nestanak struje ili iskakanje osigurača
Mirisi	Hranu koja odaje jače mirise treba dobro uviti; Provjerite da li se hrana pokvarila; Provjerite da li je potrebno očistiti unutrašnjost uređaja.
Dugotrajan rad kompresora	Normalno je da frižider duže radi tokom leta, kada je spoljašnja temperatura viša; Ne stavljajte u zamrzivač previše hrane odjednom; Ne stavljajte hranu u uređaj dok se prethodno ne ohladi; Često otvaranje vrata frižidera.
Lampica ne svetli	Provjerite da li je frižider priključen na struju, Provjerite da li je lampica oštećena.
Vrata frižidera se ne mogu zatvoriti na odgovarajući način.	Ambalaža sa hranom blokira vrata zamrzivača; Prevelika količina hrane; Frižider je nagnut.
Glasni zvuci	Provjerite da li je hrana iznivelisana i da li je frižider uravnotežen; Provjerite da li su dijelovi frižidera postavljeni na odgovarajući način.

Savjeti

- Tokom rada, naročito u ljetnjim mjesecima, kućište frižidera može da emituje toplotu nastalu usled zračenja kondenzatora, što predstavlja uobičajeni fenomen.
- Kondenzacija: kondenz će se formirati na spoljašnjim površinama i zaptivkama navratima zamrzivača pri uslovima

visokog stepena vlage u prostoriji. U pitanju je normalni fenomen, a kondenz se može obrisati suvom krpom.

- Zujanje: U toku rada, kompresor će zujati, posebno prilikom uključivanja ili isključivanja.

INFORMACIJE U VEZI SA UŠTEDOM ENERGIJE


Energetska upozorenja

1. Uređaji za rashlađivanje mogu postati nepouzdana tokom rada (moguće otapanje sadržaja ili razvijanje previsoke temperature u odjeljku za smrznutu hranu) ukoliko se tokom dužeg vremenskog perioda drže na temperaturama nižim od vrijednosti radnog temperaturnog opsega navedenog za dati uređaj za rashlađivanje.
2. Gazirana pića ne treba držati u odjeljcima ili komorama za zamrzavanje ili u odjeljcima ili komorama sa niskim temperaturnim vrijednostima, dok određene proizvode, poput leda, ne treba konzumirati kada su pretjerano hladni;
3. Neophodno je povesti računa da se prilikom čuvanja bilo kog tipa hrane koja se drži u zamrzivaču ili odjeljcima ili komorama za zamrzavanje hrane, a posebno komercijalne brzo smrznute hrane, ne prekorači rok trajanja preporučen od strane proizvođača hrane.
4. Neophodno je preduzeti mjere predostrožnosti radi sprječavanja nepotrebnog rasta temperature unutar smrznute hrane prilikom otapanja uređaja za rashlađivanje, poput uvijanja smrznute hrane u nekoliko slojeva novinske hartije.
5. Porast temperature unutar smrznute hrane tokom ručnog otapanja, održavanja ili čišćenja može da skрати njen rok trajanja.

ODLAGANJE

Stari uređaji i dalje imaju određenu rezidualnu vrijednost. Primjenom načina odlaganja kojim se štiti životna sredina omogućićete ponovno iskorišćenje i upotrebu vrijednih sirovina. Rashladno sredstvo koje se upotrebljava u okviru Vašeg uređaja i izolacioni materijali zahtevaju primjenu posebnih procedura za odlaganje. Prije nego što ga odložite, uvjerite se da nijedna cijev na zadnjem dijelu uređaja nije oštećena. Ažurirane podatke o opcijama za odlaganje Vašeg starog uređaja i ambalaže novog uređaja možete dobiti u kancelarijama Vaših lokalnih vlasti.

Prilikom odlaganja starog uređaja, slomite sve stare brave ili kvake i uklonite vrata kao mjeru predostrožnosti.

Pravilno odlaganje ovog proizvoda	
	<p>Pravilno odlaganje ovog proizvoda</p> <p>Ova oznaka ukazuje da u EU ovaj proizvod ne treba odlagati zajedno sa ostalim otpadom iz domaćinstva. Kako biste spriječili potencijalnu štetu po životnu sredinu ili zdravlje ljudi nastalu nekontrolisanim odlaganjem otpada, odgovorno ga reciklirajte kako biste promovisali održivu ponovnu upotrebu materijalnih resursa. Molimo Vas da svoj polovni uređaj vratite putem sistema za vraćanje i prikupljanje otpada ili da kontaktirate prodavnicu u kojoj ste proizvod kupili. Ovim putem se proizvod može reciklirati na način bezbjedan po životnu sredinu</p>

Za dodatne informacije, kontaktirajte svoje lokalne vlasti ili prodavnicu u kojoj ste proizvod kupili.

Tabela 1. Klimatske klase

Klasa	Simbol	Opseg ambijentalne temperature °C
Prošireno umjerena	SN	+ 10 do + 32
Umjerena	N	+ 16 do +32
Suptropska	ST	+ 16 do + 38
Tropska	T	+ 16 do + 43

Prošireno umjerena: „ovaj uređaj za rashlađivanje je namjenjen za upotrebu pri ambijentalnim temperaturama koje se kreću u opsegu od 10°C do 32°C“;

Umjerena: „ovaj uređaj za rashlađivanje je namjenjen za upotrebu pri ambijentalnim temperaturama koje se kreću u opsegu od 16°C do 32°C“;

Suptropska: „ovaj uređaj za rashlađivanje je namjenjen za upotrebu pri ambijentalnim temperaturama koje se kreću u opsegu od 16°C do 38°C“;

Tropska: „ovaj uređaj za rashlađivanje je namjenjen za upotrebu pri ambijentalnim temperaturama koje se kreću u opsegu od 16°C do 43°C“;

ПРЕДУПРЕЖДЕНИЯ ЗА БЕЗОПАСНОСТ



Предупреждение: Риск от пожар/запалими материали

- Този уред е предназначен за битова употреба и подобни приложения, като кухненски помещения за персонала в магазини, офиси и други професионални помещения; селскостопански къщи и от клиенти в хотели, мотели и други помещения, предназначени за временно пребиваване; - места, които предоставят услуга нощувка със закуска; кетъринг и подобни нетърговски приложения.
- Този уред не е предназначен за употреба от лица (включително деца) с намалени физически, сетивни или умствени способности или липса на опит и познания, освен ако те не са под надзор или не са им били дадени инструкции преди това по отношение на използването на уреда от лице, което да е отговорно за тяхната безопасност
- Децата трябва да бъдат наблюдавани, за да се уверите, че те не си играят с уреда.
- Ако хранващият кабел е повреден, той трябва да бъде заменен от производителя, негов сервизен агент или от лица с подобна квалификация, за да се избегне опасност.
- Не съхранявайте взривоопасни вещества, като аерозолни опаковки със запалими газове в това устройство.
- Уредът трябва да бъде изключван от контакта когато не е в употреба и преди извършване на поддръжка на уреда от потребителя.
- **ПРЕДУПРЕЖДЕНИЕ:** Пазете вентилационните отвори в корпуса на фризера или вградената конструкция от запушване или покриване.
- **ПРЕДУПРЕЖДЕНИЕ:** Не използвайте механични устройства или други устройства, за да ускорите процеса на размразяване, различни от тези, препоръчани от производителя на устройството.
- **ПРЕДУПРЕЖДЕНИЕ:** Внимавайте да не повредите охладителната система.
- **ПРЕДУПРЕЖДЕНИЕ:** Не използвайте електрически уреди във вътрешността на отделенията за съхранение на храна, освен ако те не са от типа, препоръчан от производителя.
- **ПРЕДУПРЕЖДЕНИЕ:** Моля, отстранявайте фризера от употреба в съответствие с местните разпоредби, тъй като той съдържа запалим газ и хладилен агент
- **ПРЕДУПРЕЖДЕНИЕ:** Когато монтирате устройството, уверете се, че нищо не притиска хранващия кабел и той не е повреден.
- **ПРЕДУПРЕЖДЕНИЕ:** Не поставяйте няколко преносими разклонители или преносими хранващи устройства зад устройството.
- Не използвайте удължаващи кабели или незаземени (с два щифта) адаптера.
- **ОПАСНОСТ:** Опасност от заклещване на деца. Преди да отстраните от употреба стария си хладилник или фризер:
 - Отстранете вратите.
 - Оставете рафтовете на място, така че децата да не могат да влязат лесно вътре.
- Фризерът трябва да бъде изключен от източника на електрическо захранване, преди да се опитате да монтирате аксесоар.
- Хладилният агент и циклопентановият разпенващ агент, използвани в фризера, са запалими. Следователно, когато фризерът се отстранява от употреба, той трябва да се държи далеч от източници на пожар и да бъде рециклиран от специализирано дружество за рециклиране със съответна квалификация, различно от отстраняване от употреба чрез изгаряне, за да се предотврати увреждане на околната среда или каквато и да е друга вреда.
- За стандарт EN: Този уред може да се използва от деца на възраст от 8 и повече години и лица с намалени физически, сетивни или умствени способности или с недостатъчно опит и познания, ако те са под наблюдение или са инструктирани относно използването на уреда по безопасен начин и осъзнават опасностите, свързани неговата експлоатация.
- Децата не трябва да си играят с уреда. Почистването и поддръжката не следва да се извършват от децата без надзор. Деца на възраст между 3 и 8 години може да поставят предмети и да вземат предмети от хладилни уреди.
- За врати и капаци, оборудвани с ключалки и ключове, е необходимо да държите споменатите ключове на място, недостъпно за деца, и никога в близост до фризера, за да се предотврати заключването на децата вътре в устройството.
- За да избегнете замърсяване на храните, спазвайте следните инструкции:
 - Отварянето на вратата за по-продължително време може да доведе до значително повишаване на температурата в отделенията на уреда.
 - Почиствайте редовно повърхностите, които влизат в контакт с храната, както и достъпните части на дренажната система.
 - Почиствайте резервоарите за вода, ако не са били използвани в продължение на 48 часа; промийте водната система, свързана към водопровода, ако водата не е била сменяна в продължение на 5 дни. (Забележка 1)
 - Съхранявайте суровото месо и риба в фризера в подходящи съдове, така че да не влиза в контакт с останалата храна или да капе върху нея.
 - Отделенията за замразени храни, маркирани с две звезди, [✱ ✱] са подходящи за съхранение на предварително замразени храни, за съхранение или приготвяне на сладолед и за приготвяне на кубчета лед. (Забележка 2)
 - Отделенията, маркирани с една [✱], две [✱ ✱] и три [✱ ✱ ✱] звезди не са подходящи за замразяване на пресни храни. (Забележка 3)
 - Ако хладилният уред няма да бъде ползван за продължителен период от време, изключете го, размразете, почистете и го подсушете, а след това оставете вратата на уреда отворена, за да предотвратите появата на мухъл в уреда.
 - За уреди, които нямат отделение, обозначено с четири звезди [✱ ✱ ✱ ✱]: този хладилен уред не е подходящ за замразяване на храни. (Забележка 4)

Забележки 1,2, 3,4: Уверете се, че изброената информация е за типа устройство, което сте закупили.

- За свободностоящ уред: този хладилен уред не е предназначен да се използва като вграден уред.
- Всяка подмяна или поддръжка на светодиодните лампи е предвидено да бъде извършва от производителя, неговия оторизиран сервизен център или подобно квалифицирано лице. Класът на енергийна ефективност на лампата е Клас G.

МОНТИРАНЕ

Местоположение

Когато избирате място, на което да поставите уреда, уверете се, че подът е равен и здрав, а помещението е добре проветриво. Избягвайте да поставяте уреда близо до източник на топлина, напр. печка, бойлер или радиатор. Освен това избягвайте прякото излагане на слънчева светлина, тъй като това може да доведе до увеличена консумация на електричество. Изключително ниските стаини температури също могат да доведат до неизправност на уреда.

Това устройство не е предназначено за използване в гаражи или за монтиране навън. Не покривайте уреда. Когато монтирате уреда, уверете се, че има отстояние от 10 cm от двете страни на устройството, както и 10 cm от задната страна и 30 cm над горната повърхност на устройството. Това ще позволи на студения въздух да циркулира около охладителя за вино и ще подобри ефективността на процеса на охлаждане.

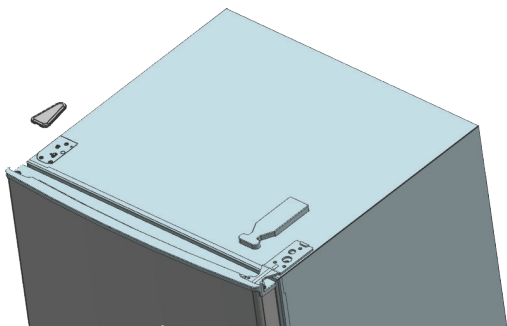
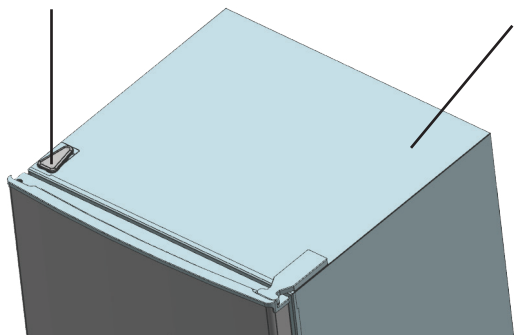
Промяна на посоката на отваряне на вратата

Необходими инструменти: Кръстата отвертка/отвертка с плосък връх/шестограмен гаечен ключ.

1. Отстранете капака на дясната горна панта.

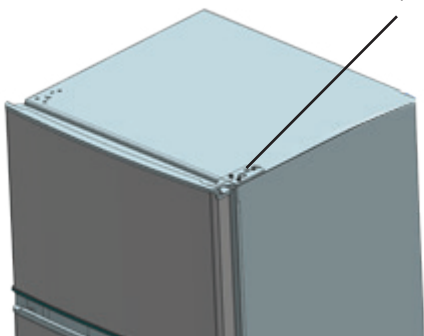
Капак на отвора на оста на пантата

The top hinge cover

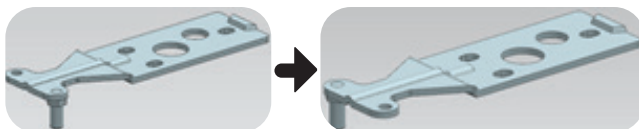


2. С помощта на кръстата отвертка отстранете винтовете, които фиксират горната панта.

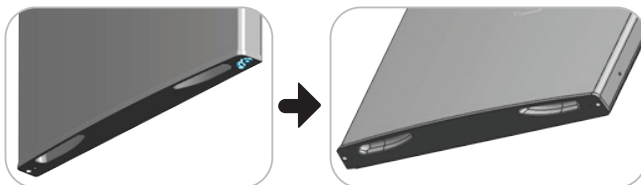
Винт (три броя)



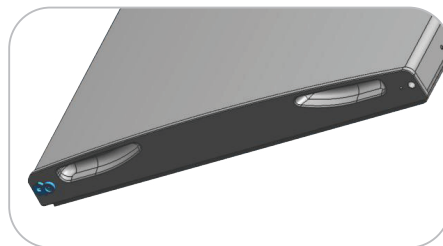
3. Преместете горната панта и горния ограничителен блок на вратата и лагерната втулка вратата от другата страна
A. Отстранете винта заедно със скобата. Извадете шайбата, след това преместете осите от другата страна и ги закрепете.



- B. Отстранете ограничителя на вратата

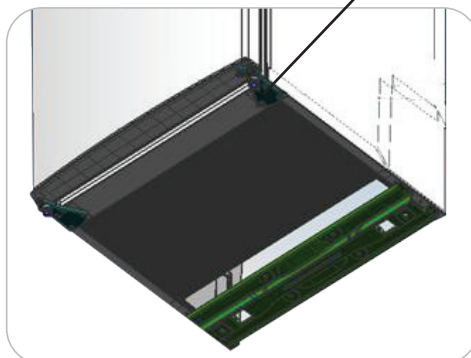


- C. Подгответе друг ограничител за врата и го закрепете към вратата с винтове



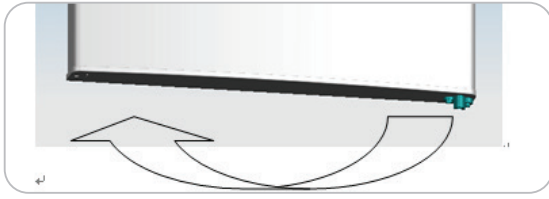
4. Отстранете винтовете, които фиксират долната панта с кръстата отвертка.

Винтове, които фиксират долната панта

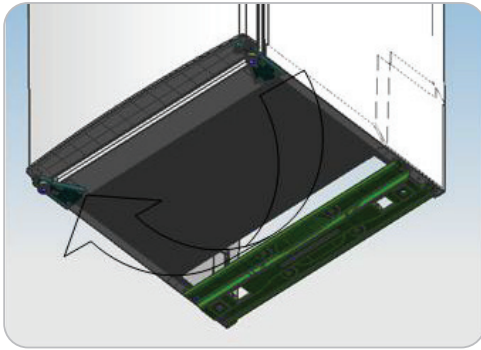


Забележка: ъгълът на наклон на фризера трябва да е по-малък от 45°.

5. Преместете долната лагерна втулка на вратата и ограничителния блок.



6. Преместете долната панта от другата страна, след което я фиксирайте с винтове.



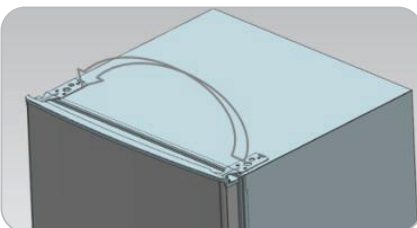
7. Преместете средната панта.



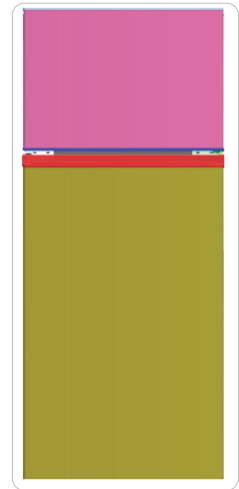
8. Поставете долната врата в подходящото положение и закрепете средната панта.



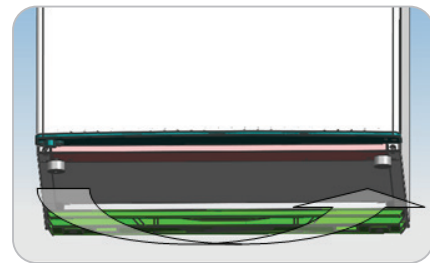
9. Преместете горната панта.



10. Поставете вратата в правилната позиция в дясно, фиксирайте горната панта и горния капак на фризера

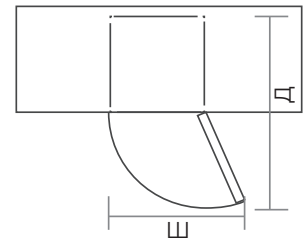


11. Поставете четирите капачки на винтовете и двата фиксатора в съответното положение
- Уверете се, че уредът е изключен и празен.
 - Регулирайте двете нивелиращи крачета в най-високата им позиция.
 - Препоръчваме ви да намерите някого, който да Ви съдейства
12. Преместете нивелиращото краче от другата страна и го регулирайте, за да сте сигурни, че фризерът е нивелиран.



Изисквания за пространство за отваряне на вратата

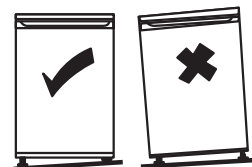
Необходимо е да се остави достатъчно място за пълно отваряне на вратата на устройството по начина, показан на фигурата.
Ш × Д ≥ 902 × 1052 mm



Нивелиране на уреда

За да направите това, регулирайте двете регулиращи крачета в предната част на уреда. Ако уредът не е нивелиран, вратата и магнитното уплътнение няма да съвпадат правилно.

Преди употреба се уверете, че нивелиращото краче докосва повърхността. Гледайки отгоре, завъртете по посока на часовниковата стрелка или обратно на часовниковата стрелка, за да го развиете или завиете.



Почистване преди употреба:

Избършете вътрешността на уреда със слаб разтвор на сода за хляб. След това изплакнете с топла вода, като използвате „изцедена“ гъба или кърпа. Измийте рафтовете и отделениято за зеленчуци в топла сапунена вода и ги изсушете напълно, преди да ги поставите отново в уреда. Почистете външната страна на устройството с влажна кърпа. Ако имате нужда от повече информация, вижте раздел Почистване.

Преди да използвате уреда

За да осигурите безопасност по време на употреба, не повреждайте захранващия кабел при никакви обстоятелства и не използвайте устройството, ако захранващият кабел е повреден или щепселът е износен.

Не поставяйте запалими, експлозивни, летливи и силно корозивни вещества в фризера, за да предотвратите повреда на продукта или инцидентен пожар.

Не поставяйте запалими предмети близо до фризера, за да избегнете възникването на пожар.

Този продукт е битов хладилник и е подходящ само за съхранение на храни. Съгласно националните стандарти, хладилниците, предназначени за битова употреба, не трябва да се използват за други цели, като съхранение на кръв, лекарства или биологични продукти.

Не поставяйте предмети като бутилирани течности или течности в затворени съдове, като бутилирани бири и напитки във фризера, за да избегнете спукване на съдовете и други повреди.

Преди да поставите храна в уреда, включете го и изчакайте 24 часа, за да се уверите, че работи правилно, както и да осигурите достатъчно време, Уредът не трябва да се препълва.



- **Преди свързване към електрическата мрежа**
Трябва да се уверите, че разполагате с контакт, съвместим с щепсела, доставен с устройството.
- **Преди да включите устройството!**
Не включвайте поне два часа след преместване на уреда.

Вътрешни аксесоари

Вашето устройство съдържа различни рафтове за съхранение от стъкло или пластмаса - комбинациите варират в зависимост от модела.

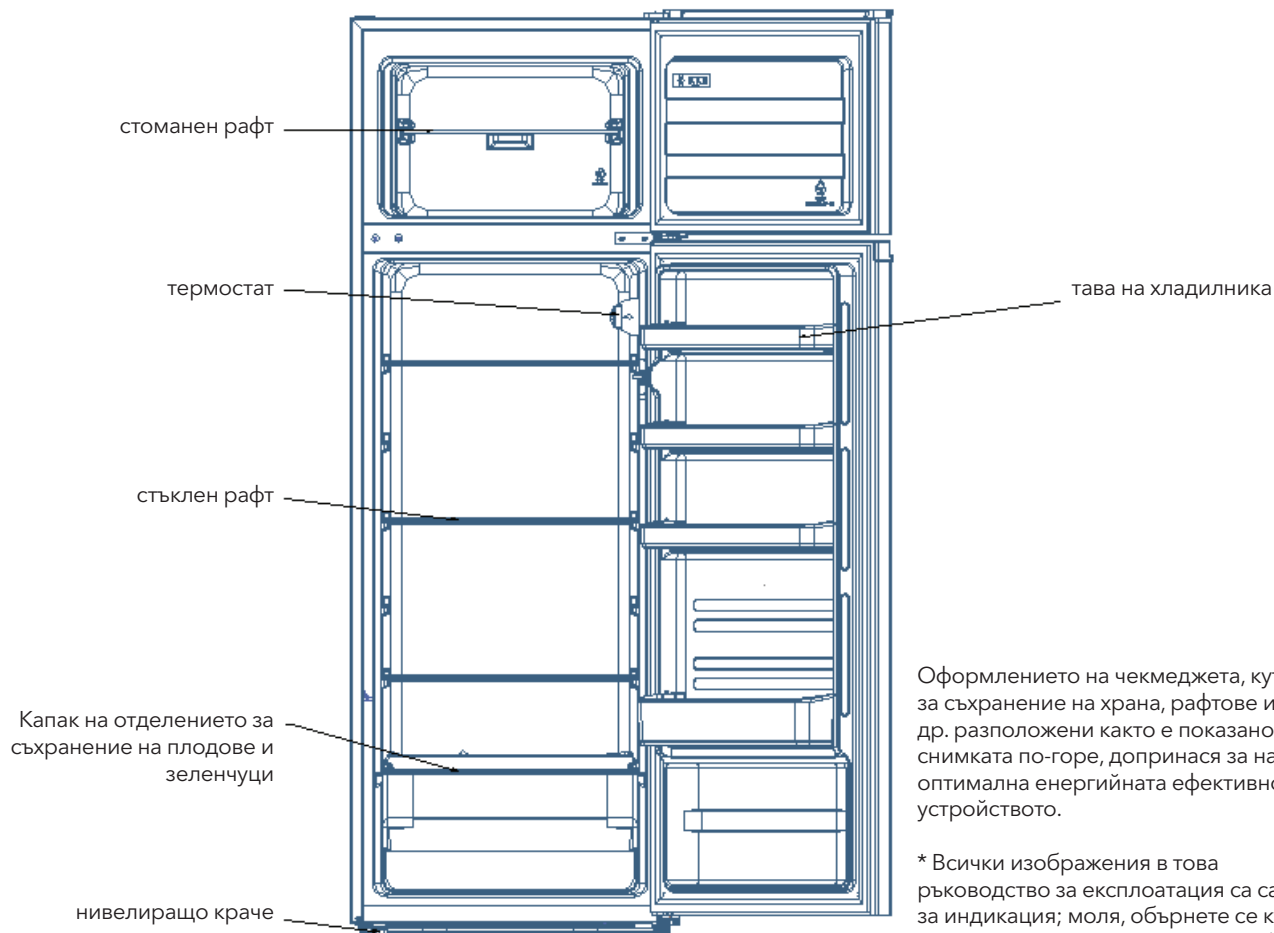
Един от стъклените рафтове за съхранение, който покрива цялата повърхност на уреда, винаги трябва да бъде разположен на най-долните водачи, над отделенията за плодове и зеленчуци, и да се остави в това положение. За да направите това, издърпайте рафта за съхранение напред, до положение, в което може да се завърти нагоре или надолу и да се отстрани.

За да поставите рафта на различна височина, следвайте горните стъпки, в обратен ред.



За да се възползвате максимално от обема на отделениято за съхранение на пресни храни и отделениято за съхранение на замразени храни, можете да премахнете един или повече рафтове и чекмеджета от уреда, в зависимост от Вашите ежедневни нужди.

ПРЕГЛЕД НА ПРОДУКТА



Оформлението на чекмеджета, кутиите за съхранение на храна, рафтове и др. разположени както е показано на снимката по-горе, допринася за най-оптимална енергийната ефективност на устройството.

* Всички изображения в това ръководство за експлоатация са само за индикация; моля, обърнете се към Вашата конкретен уред за подробности

ЕКСПЛОАТАЦИЯ

Включване на Вашето устройство

- Копчето за избор на температура е разположено от дясната стена на вътрешната стена на хладилника. Настройка „Off“: Уредът е изключен. Настройка „Min“ (минимум): По-ниска температура
- Настройка „Med“: Нормална работа (подходяща за повечето ситуации)
- Настройка „Max“ (максимум): Най-ниска температура
- При високи температури на околната среда, напр. през горещите летни дни. Може да се наложи да настроите термостата на най-силно охлаждане (позиция „Max“). Това може да доведе до непрекъсната работа на компресора, за да се поддържа ниска температура в уреда.
- Когато първоначално настройвате фризера, настройте копчето на термостата в положение „Med“.
- Оставете фризера да се охлади напълно, преди да поставите в него храна. Най-добре е да изчакате 24 часа, преди да приберете храната в фризера. Температурата се контролира чрез циферблата на термостата. Когато циферблата на термостата е в положение OFF (изключено), фризерът няма да работи.

Шум във вътрешността на уреда!

Може да забележите, че вашето устройство издава необичайни звуци. Повечето от споменатите звуци са напълно нормални, но трябва да сте наясно с тях! Звучите се причиняват от циркулацията на течен хладилен агент в охлаждащата система. Това стана по-изразено след въвеждането на газове, които не съдържат

хлорофлуоровъглерод (CFC). Това не е неизправност и няма да повлияе на работата на вашето устройство. Това е двигателят на компресора, който работи, тъй като изпомпва хладилния агент в системата.

Съвети за съхранение на храна в уреда

- Готвеното месо/риба винаги трябва да се съхранява на различен рафт от сурово месо/риба, за да се избегне пренасянето на бактерии. Съхранявайте суровите меса/риби в контейнер, който е достатъчно голям, за да събира соковете и да го покрива правилно. Поставете контейнера на най-долния рафт.
- Оставете място около храната, за да може въздухът да циркулира във вътрешността на уреда. Уверете се, че всички части на уреда се поддържат студени.
- За да предотвратите пренасяне на вкусове и изсъхване, опаковайте храната отделно или я покривайте. Плодовете и зеленчуците не трябва да се увиват.
- Винаги оставяйте предварително приготвената храна да се охлади, преди да я поставите в уреда. Това ще помогне да се поддържа постоянна вътрешната температура на уреда.
- За да предотвратите загубата на студен въздух от устройството, опитайте се да ограничите броя на отварянията на вратата. Препоръчваме да отваряте вратата само когато трябва да поставите или извадите храна.

Смяна на крушката

Крушката трябва да бъде сменяна само от професионалисти

ПОЧИСТВАНЕ

Размразяване

Автоматично размразяване за хладилник Frost-free

Почистване на вътрешната и външната част на уреда

- За да подобрите охлаждащата функция и спестяването на енергия, редовно почиствайте праха зад фризера и от основата.
- Проверявайте редовно уплътнението на вратата, за да се уверите, че върху него няма замърсявания. Почиствайте уплътнението на вратата с мека кърпа, потопена в сапунена вода или разреден препарат.
- Вътрешността на фризера трябва да се почиства редовно, за да се избегне появата на неприятна миризма.
- Преди да почистите вътрешността на фризера, изключете го от контакта и извадете всички храни, напитки, рафтове, чекмеджета и др.
- Използвайте мека кърпа или гъба, за да почистите вътрешността на фризера, с две супени лъжици сода за хляб в четвърт литър топла вода. След това изплакнете с вода и избършете. След почистване отворете вратата и я оставете да изсъхне естествено, преди да включите електрозахранването.
- За почистване на труднодостъпни части на фризера (като тесни отвори, прорези или ъгли) се препоръчва да се избърсват редовно с мека кърпа, мека четка и др., ако е необходимо в комбинация с някои помощни инструменти (като тънки пръчици), за да се предотврати натрупването на замърсяване и бактерии.

- Не използвайте сапун, перилен препарат, абразивен прах за почистване, спрейове и др., тъй като тези агенти могат да създадат неприятна миризма в фризера или да замърсят храната.
- Почиствайте сектора за бутилки, рафтовете и чекмеджетата с мека кърпа с мека кърпа, напоена със сапунена вода или разреден препарат. Подсушете с мека кърпа или оставете да изсъхне естествено.
- Избършете външната повърхност на фризера с мека кърпа, напоена със сапунена вода, препарат и др. и след това го изсушете с кърпа.
- Не използвайте твърди четки, почистващи гъби от стоманена тел, телени четки, абразиви (като паста за зъби), органични разтворители (като алкохол, ацетон, бананово масло и др.), вряща вода, киселинни или алкални агенти при почистване на фризера, тъй като тези агенти могат да повредят повърхностите и вътрешността на фризера. Врящата вода и органичните разтворители, като бензен, могат да деформират или повредят пластмасовите части.
- По време на почистването не изплаквайте повърхностите директно с вода или други течности, за да избегнете късо съединение или повреда на електроизолационните материали.

Съвети за почистване

От външната страна на уреда може да се появи конденз. Това може да се дължи на промяна в стайната температура. Избършете остатъците от влага. Ако проблемът продължава, моля, свържете се с квалифициран техник за съдействие.

ПОДДРЪЖКА

Смяна на осветителната крушка

Крушката трябва да бъде сменяна само от професионалисти.

Внимание при работа/ Преместване на уреда

Когато го премествате, захващайте устройството около страните или основата. В никакъв случай не трябва да се повдига, като се държат само ръбовете на горната повърхност.

Обслужване

Уредът трябва да се обслужва от оторизиран сервизен

център и да се използват само оригинални резервни части. При никакви обстоятелства не се опитвайте да ремонтирате устройството сами. Ремонтите, извършени от неопитни лица, могат да причинят нараняване или сериозна неизправност. Свържете се с квалифициран техник.

Изключване за дълги периоди от време

Когато уредът няма да бъде използван за дълъг период от време, изключете го от електрическата мрежа, извадете цялата храна и почистете уреда, оставяйки вратата отворена, за да предотвратите възникването на неприятни миризми.

ОТСТРАНЯВАНЕ НА НЕИЗПРАВНОСТИ

Следните прости проблеми могат да бъдат решени самостоятелно от потребителя. Моля, обадете се на отдела за следпродажбено обслужване, ако проблемите не бъдат разрешени.

Уредът не работи	Независимо дали фризерът е включен и свързан към захранването; Ниско напрежение; Неизправност на захранването или изключващата верига
Миризма	Хранителните продукти с по-остра миризма трябва да се опаковат плътно; Проверете дали храната не е развалена; Проверете дали вътрешността на устройството трябва да се почисти.
Дълготрайна работа на компресора	Нормално е фризерът да работи по-дълго през лятото, когато външната температура е по-висока; Не слагайте наведнъж твърде много храна във фризера; Не поставяйте храна в уреда, докато не се охлади; Често отваряне на вратата на фризера.
Вътрешното осветление не се включва	Проверете дали фризерът е свързан към електрозахранването и дали осветителната лампа не е повредена
Вратата на фризера не може да се затвори правилно.	Вратата е възпрепятствана от пакети с храни; В уреда е поставена твърде много храна Фризерът е наклонен.
Силен шум	Уверете се, че храната стои изправена и фризерът е балансиран; Уверете се, че частите на фризера са монтирани правилно.

Совети

- По време на работа, особено през летните месеци, корпусът на фризера може да излъчва топлина, генерирана от излъчването на кондензатора, което е често срещано явление.
- Конденз: при наличие на висока влажност в помещението по външните повърхности и уплътнения на вратата на

- фризера ще се образува конденз. Това е нормално явление и кондензът може да се изтрие със суха кърпа.
- Бръмчене: По време на работа компресорът ще бръмчи, особено когато при включване или изключване.

СЪВЕТИ ЗА ИКОНОМИЯ НА ЕНЕРГИЯ

Предупреждение относно енергоспестяването

1. Хладилните уреди може да не работят равномерно (потенциално размразяване на съдържанието или температурата да стане твърде висока в отделението за замразени храни), ако са настроени за дълги периоди от време на стойности, по-ниски от температурните диапазони, за които хладилното устройство е предназначено.
2. Газираните напитки не трябва да се съхраняват в отделение или отделение за замразяване на храна или в чекмеджета или отделения на фризера, в които температурата е ниска, а някои продукти, като кубчета лед, не трябва да се консумират, ако са твърде студени;
3. Необходимо е да се внимава, когато съхранявате храна в отделенията или чекмеджетата на фризера за замразяване на храна, да не надвишава срока на годност, препоръчан от производителя, за всякакъв вид храни и по-специално за бързо замразени храни;

4. Трябва да се вземат необходимите мерки за предотвратяване на прекомерно повишаване на температурата на замразените храни по време на размразяване на хладилния уред, като опаковките замразената храна в няколко слоя вестникарска хартия.
5. Повишаването на температурата на замразените храни по време на ръчно размразяване, поддръжка или почистване, може да съкрати срока на годност на продуктите.

ОТСТРАНЯВАНЕ ОТ УПОТРЕБА

Старите уреди все още имат някаква остатъчна стойност. Екологосъобразният метод за отстраняване от употреба ще гарантира, че ценните суровини могат да бъдат възстановени и използвани отново. Хладилният агент, използван във вашия уред, и изолационните материали изискват прилагането на специални процедури за изхвърляне. Уверете се, че нито една от тръбите на гърба на уреда не е повредена преди изхвърлянето. Можете да получите актуална информация за възможностите за изхвърляне на старото ви устройство и опаковката на новото устройство от местната служба за управление на отпадъците. Когато изхвърляте стар уред, счупете всички стари ключалки или дръжки и отстранете вратата като предпазна мярка.

Правилно отстраняване от употреба на този продукт:



Правилно отстраняване от употреба на този продукт:

Тази маркировка показва, че този продукт не трябва да се изхвърля заедно с други битови отпадъци в целия ЕС. За да предотвратите възможни щети върху околната среда или човешкото здраве поради неконтролираното изхвърляне на отпадъци, рециклирайте ги отговорно, за да насърчите устойчивото повторно използване на материалните ресурси. За да върнете използваното устройство, използвайте системата за връщане събиране или се свържете с търговеца, от когото сте закупили продукта. Те могат да вземат от Вас този продукт и да го рециклират безопасно.

За повече информация, моля, свържете се с местните власти или търговеца, от когото сте закупили продукта.

Таблица 1 Климатични класове

Класа	Символ	Температурен диапазон на околната среда °C
Субнормален климат	SN	+10 до +32
Нормален климат	N	+ 16 до +32
Субтропичен климат	ST	+16 до + 38
Тропичен климат	T	+ 16 до + 43

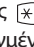
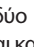

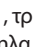

Субнормален климат: този хладилен уред е предназначен за използване при температури на околната среда, вариращи от 10 °C до 32 °C; Субтропичен температурен диапазон: този хладилен уред е предназначен за използване при температури на околната среда, вариращи от 16 °C до 32 °C; Субтропичен температурен диапазон: този хладилен уред е предназначен за използване при температури на околната среда, вариращи от 16 °C до 38 °C;

Тропичен климат: този хладилен уред е предназначен за използване при температури на околната среда, вариращи от 16 °C до 43 °C;

ΠΡΟΕΙΔΟΠΟΙΗΣΕΙΣ ΑΣΦΑΛΕΙΑΣ



Προειδοποίηση: Κίνδυνος πυρκαγιάς / εύφλεκτα υλικά

- ΑΥΤΗ η συσκευή προορίζεται για χρήση σε οικιακές και παρόμοιες εφαρμογές, όπως στην κουζίνα προσωπικού σε καταστήματα, γραφεία και άλλα εργασιακά περιβάλλοντα, σε αγροτικές και από πελάτες σε ξενοδοχεία, μοτέλ και άλλους χώρους διαμονής, σε χώρους καταλυμάτων με πρωινό, για σκοπούς τροφοδοσίας και σε παρόμοιες εφαρμογές μη λιανικής πώλησης.
- ΑΥΤΗ η συσκευή δεν προορίζεται για χρήση από άτομα (συμπεριλαμβανομένων των παιδιών) περιορισμένης σωματικής, αισθητηριακής ή νοητικής ικανότητας ή άτομα στερούμενα της κατάλληλης πείρας και γνώσης, παρά μόνο εφόσον βρίσκονται υπό επίβλεψη ή έχουν λάβει τις κατάλληλες οδηγίες για τη χρήση της συσκευής από άτομο υπεύθυνο για την ασφάλειά τους.
- Τα παιδιά θα πρέπει να επιβλέπονται, ώστε να διασφαλίζεται ότι δεν παίζουν με τη συσκευή.
- Εάν το καλώδιο τροφοδοσίας υποστεί ζημιά, πρέπει να αντικατασταθεί από τον κατασκευαστή, τον αντιπρόσωπο σέρβις ή από ομοίως εξειδικευμένα άτομα προς αποφυγή τυχόν κινδύνων.
- ΜΗΝ αποθηκεύετε εκρηκτικές ουσίες, όπως δοχεία αεροζόλ με εύφλεκτο προωθητικό σε αυτήν τη συσκευή.
- Η συσκευή πρέπει να αποσυνδέεται από την πηγή τροφοδοσίας μετά τη χρήση και πριν από την εκτέλεση εργασιών συντήρησης από τον χρήστη.
- ΠΡΟΕΙΔΟΠΟΙΗΣΗ: Διατηρήστε ελεύθερες τις οπές εξαερισμού που βρίσκονται στο περίβλημα της συσκευής ή στο ενσωματωμένο πλαίσιο αυτής απομακρύνοντας τυχόν εμπόδια.
- ΠΡΟΕΙΔΟΠΟΙΗΣΗ: Μη χρησιμοποιείτε μηχανικές συσκευές ή οποιαδήποτε άλλα μέσα για να επιταχύνετε τη διαδικασία απόψυξης, εκτός από αυτά που συνιστώνται από τον κατασκευαστή.
- ΠΡΟΕΙΔΟΠΟΙΗΣΗ: Μην προκαλείτε ζημιά στο κύκλωμα ψυκτικού υγρού.
- ΠΡΟΕΙΔΟΠΟΙΗΣΗ: Μη χρησιμοποιείτε άλλες ηλεκτρικές συσκευές στο εσωτερικό των διαμερισμάτων αποθήκευσης τροφίμων της συσκευής, εκτός αν ανήκουν στα είδη των συσκευών που συνιστώνται από τον κατασκευαστή.
- ΠΡΟΕΙΔΟΠΟΙΗΣΗ: Απορρίψτε το ψυγείο σύμφωνα με τους τοπικούς κανονισμούς, διότι περιέχει εύφλεκτο αέριο εμφύσησης και ψυκτικό.
- ΠΡΟΕΙΔΟΠΟΙΗΣΗ: Κατά την τοποθέτηση της συσκευής, βεβαιωθείτε ότι το καλώδιο τροφοδοσίας δεν έχει μαγκώσει ή υποστεί ζημιά.
- ΠΡΟΕΙΔΟΠΟΙΗΣΗ: Μην τοποθετείτε φορητά πολύπριζα ή φορητά τροφοδοτικά στο πίσω μέρος της συσκευής.
- ΜΗ χρησιμοποιείτε καλώδια προέκτασης (μπαλαντέζες) ή προσαρμογείς δύο ακίδων χωρίς γείωση.
- ΚΙΝΔΥΝΟΣ: Κίνδυνος εγκλωβισμού παιδιών. Προτού απορρίψετε το παλιό σας ψυγείο ή τον παλιό σας καταψύκτη:
 - Αφαιρέστε τις πόρτες.
 - Αφήστε τα ράφια στη θέση τους ούτως ώστε να μην είναι εύκολο για τα παιδιά να σκαρφαλώσουν στο εσωτερικό της συσκευής.
- ΠΡΟΤΟΥ επιχειρηθεί η εγκατάσταση οποιουδήποτε παρελκομένου, η συσκευή πρέπει να αποσυνδεθεί από την πηγή ηλεκτρικής τροφοδοσίας.
- Το ψυκτικό και το αφρώδες υλικό από κυκλοπεντάνιο που χρησιμοποιούνται στο ψυγείο είναι εύφλεκτα υλικά. Επομένως, όταν το ψυγείο απορρίπτεται, θα πρέπει να απομονώνεται από πηγές γυμνής φλόγας και να ανακυκλώνεται από ειδική εταιρεία ανακύκλωσης που φέρει κατάλληλη πιστοποίηση αντί να καίγεται, έτσι ώστε να μην προκληθεί ζημιά στο περιβάλλον ή οποιαδήποτε άλλη βλάβη.
- ΣΧΕΤΙΚΑ με το πρότυπο EN: Αυτή η συσκευή μπορεί να χρησιμοποιείται από παιδιά ηλικίας 8 ετών και άνω και από άτομα με μειωμένες σωματικές, αισθητηριακές ή διανοητικές ικανότητες ή έλλειψη πείρας και γνώσης, εφόσον είναι υπό επίβλεψη ή τους έχουν δοθεί οδηγίες για την ασφαλή χρήση της συσκευής και έχουν κατανοήσει τους κινδύνους που υπάρχουν. Τα παιδιά δεν πρέπει να παίζουν με τη συσκευή. Οι εργασίες καθαρισμού και συντήρησης οι οποίες μπορούν να εκτελεστούν από τον χρήστη δεν επιτρέπεται να πραγματοποιούνται από παιδιά χωρίς επίβλεψη. Παιδιά ηλικίας από 3 έως 8 ετών επιτρέπεται να τοποθετούν και να αφαιρούν τρόφιμα σε και από ψυκτικές συσκευές.
- Όσον αφορά τις πόρτες ή τα καπάκια της ψυκτικής συσκευής που διαθέτουν κλειδαριά, τα κλειδιά πρέπει να φυλάσσονται μακριά από τα παιδιά και όχι κοντά σε αυτήν, προκειμένου να αποφευχθεί το ενδεχόμενο εγκλωβισμού των παιδιών στο εσωτερικό της συσκευής.
- ΓΙΑ να αποφύγετε τη μόλυνση των τροφίμων, παρακαλείσθε να ακολουθείτε τις παρακάτω οδηγίες.
 - Το άνοιγμα της πόρτας για πολλή ώρα μπορεί να προκαλέσει σημαντική αύξηση της θερμοκρασίας στα διαμερίσματα της συσκευής.
 - Καθαρίζετε τακτικά τις επιφάνειες που μπορούν να έρθουν σε επαφή με τα τρόφιμα και τα προσβάσιμα συστήματα αποστράγγισης.
 - Καθαρίζετε τα δοχεία νερού εάν δεν έχουν χρησιμοποιηθεί για 48 ώρες. Ξεπλύνετε το σύστημα νερού που είναι συνδεδεμένο σε παροχή νερού, εάν δεν έχει αντληθεί νερό για 5 ημέρες (σημείωση 1).
 - Φυλάσσετε το ωμό κρέας και τα ωμά ψάρια σε κατάλληλα δοχεία στο ψυγείο, ώστε να μην έρχονται σε επαφή με άλλα τρόφιμα ούτε να στάζουν πάνω σε αυτά.
 - Τα διαμερίσματα κατάψυξης  δύο αστέρων ενδείκνυται για την αποθήκευση προκατεψυγμένων τροφίμων, την αποθήκευση ή παρασκευή παγωτού και την παρασκευή γαοκύβων (σημείωση 2).
 - Τα διαμερίσματα ενός , δύο , τριών  και τεσσάρων  αστέρων δεν είναι κατάλληλα για την κατάψυξη φρέσκων τροφίμων (σημείωση 3).
 - Εάν η ψυκτική συσκευή παραμείνει κενή για μεγάλα χρονικά διαστήματα, απενεργοποιήστε την, κάντε απόψυξη, καθαρίστε την, στεγνώστε την και αφήστε την πόρτα ανοιχτή, ώστε να αποτρέψετε την ανάπτυξη μυκήτων στο εσωτερικό της.
 - Για συσκευές χωρίς διαμέρισμα 4 αστέρων: αυτή η ψυκτική συσκευή δεν είναι κατάλληλη για την κατάψυξη τροφίμων (σημείωση 4).
- Σημείωση 1,2,3,4: Διαπιστώστε εάν ισχύει στην περίπτωση σας, ανάλογα με τον τύπο των διαμερισμάτων που διαθέτει η συσκευή σας.
- ΓΙΑ ανεξάρτητη συσκευή: αυτή η ψυκτική συσκευή δεν προορίζεται για χρήση ως εντοιχιζόμενη μονάδα.
- ΟΠΟΙΑΔΗΠΟΤΕ εργασία αντικατάστασης ή συντήρησης των λαμπτήρων LED πρέπει να πραγματοποιείται από τον κατασκευαστή, τον αντιπρόσωπο σέρβις ή ομοίως εξειδικευμένο άτομο. Ο λαμπτήρας είναι ενεργειακής κλάσης G.

ΕΓΚΑΤΑΣΤΑΣΗ

Τοποθεσία

Κατά την επιλογή της θέσης εγκατάστασης της συσκευής σας, πρέπει να διασφαλίσετε ότι το δάπεδο είναι επίπεδο και σταθερό και ότι το δωμάτιο αερίζεται καλά. Αποφύγετε να τοποθετήσετε τη συσκευή σας κοντά σε πηγή θερμότητας, π.χ. κουζίνα, θερμοσίφωνα ή σώμα καλοριφέρ. Επίσης, αποφύγετε το άμεσο ηλιακό φως, αφού μπορεί να οδηγήσει σε αύξηση της κατανάλωσης ηλεκτρικής ενέργειας. Οι εξαιρετικά χαμηλές θερμοκρασίες περιβάλλοντος μπορεί επίσης να έχουν ως αποτέλεσμα τη μη ορθή λειτουργία της συσκευής. Αυτή η συσκευή δεν έχει σχεδιαστεί για χρήση

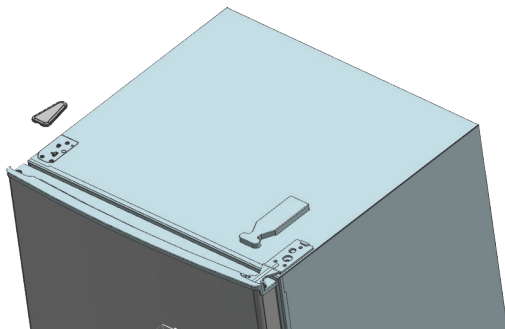
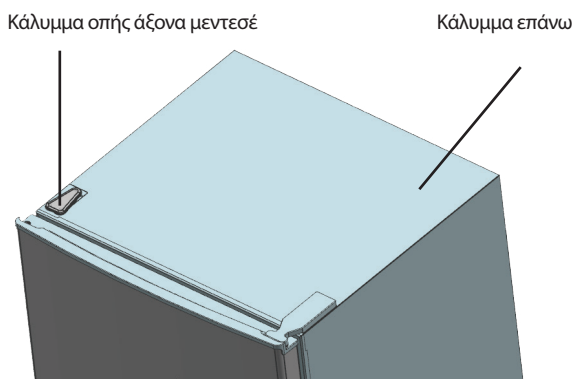
σε γκαράζ ή εγκατάσταση σε εξωτερικό χώρο. Μην τυλίγετε τη συσκευή με κάλυμμα.

Κατά την εγκατάσταση της συσκευής, φροντίστε να υπάρχει κενό διάστημα 10 cm εκατέρωθεν και στο πίσω μέρος και 30 cm στο επάνω μέρος της συσκευής. Με αυτόν τον τρόπο, ο κρύος αέρας θα μπορεί να κυκλοφορεί γύρω από το ψυγείο και με τον τρόπο αυτό θα βελτιωθεί η αποτελεσματικότητα της διαδικασίας ψύξης.

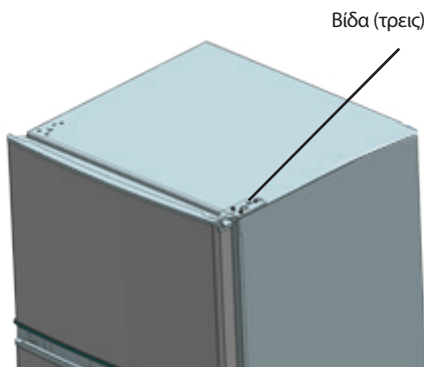
Αναστροφή της κατεύθυνσης ανοίγματος της πόρτας

Απαιτούμενα εργαλεία: Κατσαβίδι τύπου Phillips / κατσαβίδι με επίπεδη μύτη / εξαγωνικό κλειδί

1. Αφαιρέστε το κάλυμμα του επάνω δεξιού μεντεσέ.

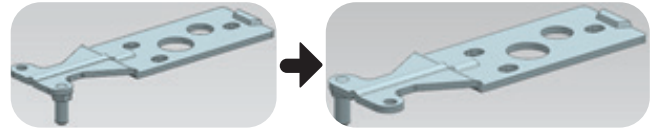


2. Αφαιρέστε τις βίδες στερέωσης του επάνω μεντεσέ με ένα σταυροκατσάβιδο.

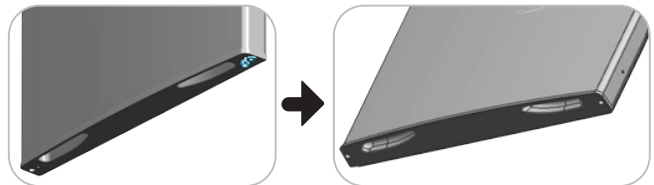


3. Επανατοποθετήστε το συγκρότημα αναστολέων του επάνω μεντεσέ και της επάνω πόρτας και το έδρανο ολίσθησης της πόρτας στην αντίθετη πλευρά.

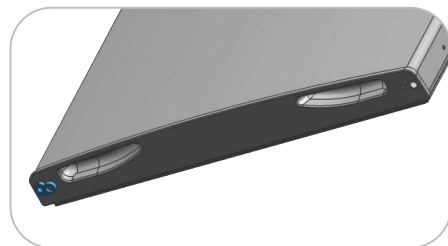
A. Αφαιρέστε το παξιμάδι μαζί με το περίβλημα. Αφαιρέστε τη ροδέλα και στη συνέχεια μεταφέρετε και τοποθετήστε τους μεντεσέδες στην άλλη πλευρά.



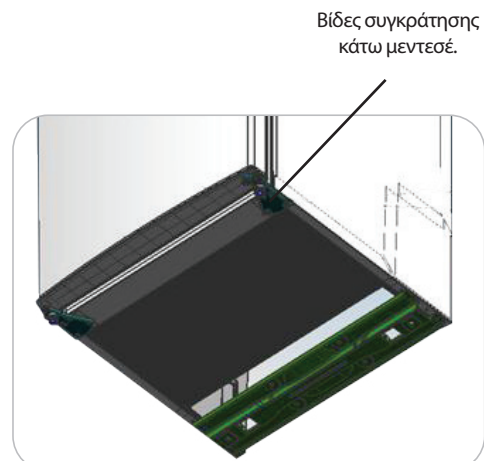
B. Αφαιρέστε το συγκρότημα αναστολέων της πόρτας.



C. Αφαιρέστε το άλλο συγκρότημα αναστολέων της πόρτας που είναι προσαρτημένο με βίδα στην πόρτα.

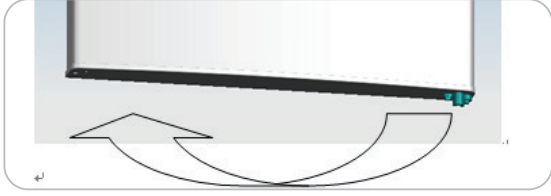


4. Αφαιρέστε τις βίδες στερέωσης του κάτω μεντεσέ με ένα σταυροκατσάβιδο.

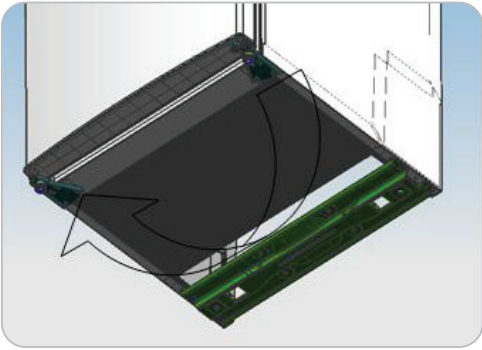


Σημείωση: γείρετε το ψυγείο-τον καταψύκτη λιγότερο από 45°.

5. Επανατοποθετήστε το έδρανο ολίσθησης της κάτω πόρτας και το συγκρότημα των αναστολέων.



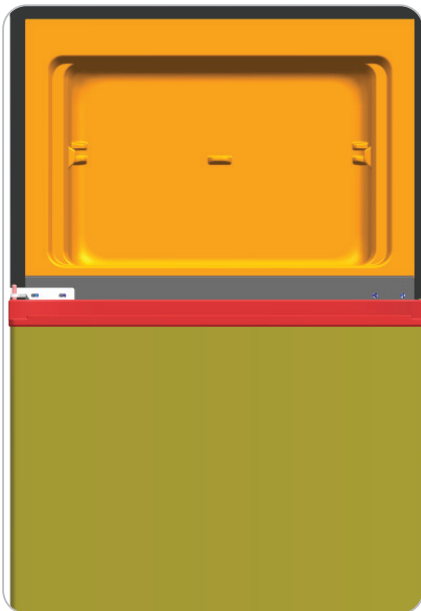
6. Επανατοποθετήστε τον κάτω μεντεσέ στην άλλη πλευρά και στη συνέχεια βιδώστε τον στη θέση του.



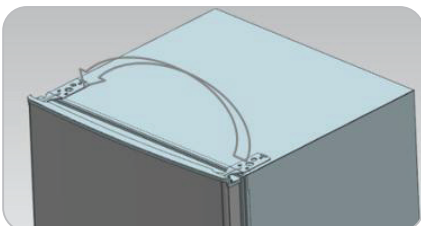
7. Επανατοποθετήστε τον μεσαίο μεντεσέ.



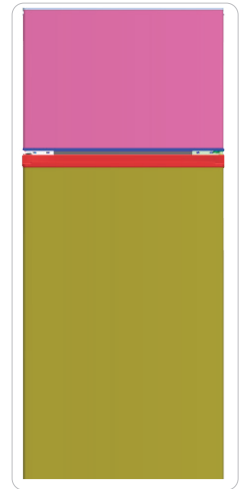
8. Τοποθετήστε την κάτω πόρτα στη δεξιά θέση, προσαρτήστε τον μεσαίο μεντεσέ.



9. Επανατοποθετήστε τον επάνω μεντεσέ.



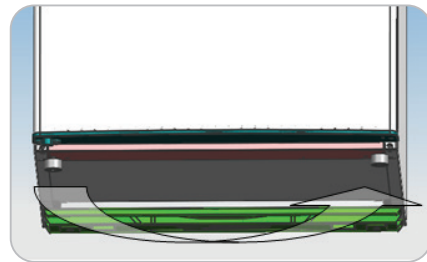
10. Προσαρτήστε την επάνω πόρτα στην κατάλληλη θέση και στερεώστε τον επάνω μεντεσέ και το κάλυμμα.



11. Τοποθετήστε τα καλύμματα των βιδών και τις δύο διατάξεις ασφάλισης στην αντίστοιχη θέση.

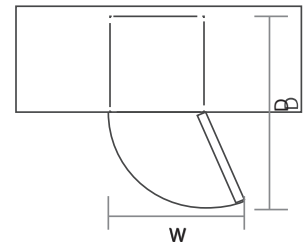
- Βεβαιωθείτε ότι η συσκευή έχει αποσυνδεθεί από την τροφοδοσία και ότι είναι άδεια.
- Ρυθμίστε τα δύο πόδια οριζοντίωσης στο μέγιστο ύψος τους.
- Συνιστάται να το κάνετε με τη βοήθεια ενός άλλου ατόμου.

12. Τοποθετήστε ξανά το αλφάδι στην άλλη πλευρά και ρυθμίστε έτσι ώστε η συσκευή να είναι οριζοντιωμένη.



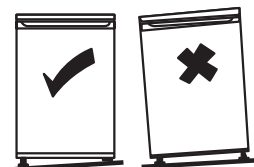
Χώρος που απαιτείται για την πόρτα

Η πόρτα της συσκευής πρέπει να μπορεί να ανοίγει πλήρως, όπως φαίνεται στην εικόνα. $P \times B \geq 902 \times 1052 \text{mm}$.



Οριζοντίωση συσκευής

Για να γίνει αυτό, ρυθμίστε τα δύο πόδια οριζοντίωσης στο μπροστινό μέρος της συσκευής. Αν η συσκευή δεν είναι οριζοντιωμένη, η πόρτα και το μαγνητικό λάστιχο δεν θα ευθυγραμμίζονται σωστά. Πριν από τη χρήση, βεβαιωθείτε ότι το πόδι αγγίζει το δάπεδο. Όπως κοιτάτε τη συσκευή από πάνω προς τα κάτω, εάν γυρίσετε το πόδι προς τα δεξιά αυτό ασφαλίζει στη θέση του, ενώ εάν το γυρίσετε προς τα αριστερά χαλαρώνει.



Καθαρισμός πριν από τη χρήση

Σκουπίστε το εσωτερικό της συσκευής με ένα ασθενές διάλυμα διπτανθρακικού νατρίου. Στη συνέχεια, ξεπλύνετε με ζεστό νερό, χρησιμοποιώντας ένα σφουγγάρι ή πανί που έχετε στύψει καλά. Πλύνετε το ράφι και το συρτάρι λαχανικών με ζεστό σαπουνόνερο και σκουπίστε τα καλά πριν τα επανατοποθετήσετε.

στη συσκευή. Καθαρίστε το εξωτερικό μέρος της συσκευής με ένα βρεγμένο πανί. Αν χρειαστείτε περισσότερες πληροφορίες, ανατρέξτε στην ενότητα «Καθαρισμός».

Πριν από τη χρήση της συσκευής

Φροντίστε το καλώδιο τροφοδοσίας να μην υποστεί ζημιά, για να εξασφαλίσετε την ασφαλή χρήση της συσκευής. Μην το χρησιμοποιείτε αν έχει υποστεί ζημιά ή το φις έχει φθαρεί.

Για να αποφευχθούν οι ζημιές στο προϊόν και τα ατυχήματα λόγω πυρκαγιάς, μην τοποθετείτε εύφλεκτα, εκρηκτικά, πτητικά και εξαιρετικά διαβρωτικά αντικείμενα στο ψυγείο.

Για να αποφευχθεί ο κίνδυνος πυρκαγιάς, μην τοποθετείτε εύφλεκτα αντικείμενα κοντά στο ψυγείο.

Αυτό το προϊόν είναι οικιακό ψυγείο και είναι κατάλληλο μόνο για την αποθήκευση τροφίμων. Σύμφωνα με τα εθνικά πρότυπα, τα οικιακά ψυγεία δεν πρέπει να χρησιμοποιούνται για άλλους σκοπούς, όπως η αποθήκευση δειγμάτων αίματος, φαρμάκων ή βιολογικών προϊόντων.

Μην τοποθετείτε στη κατάψυξη υγρά σε φιάλες ή σε σφραγισμένα δοχεία, όπως εμφιαλωμένες μπύρες και ποτά ώστε να μη «σκάσουν» και να μη σημειωθούν άλλες απώλειες.

Προτού τοποθετήσετε οποιαδήποτε τροφή στη συσκευή σας, θέστε την σε λειτουργία και περιμένετε 24 ώρες προκειμένου να βεβαιωθείτε ότι λειτουργεί σωστά και ότι έχει φθάσει στη σωστή θερμοκρασία. Δεν θα πρέπει να παραγεμίσετε τη συσκευή σας.



• Πριν από τη σύνδεση

Πρέπει να βεβαιωθείτε ότι έχετε πρίζα συμβατή με το φις που παρέχεται με τη συσκευή.

• Πριν από την ενεργοποίηση!

Μη θέτετε τη συσκευή σε λειτουργία προτού περάσουν δύο ώρες από τη μεταφορά της.

Εσωτερικά παρελκόμενα

Με τη συσκευή σας παρέχονται διάφορα γυάλινα ή πλαστικά ράφια αποθήκευσης. Ο συνδυασμός τους διαφέρει ανά μοντέλο.

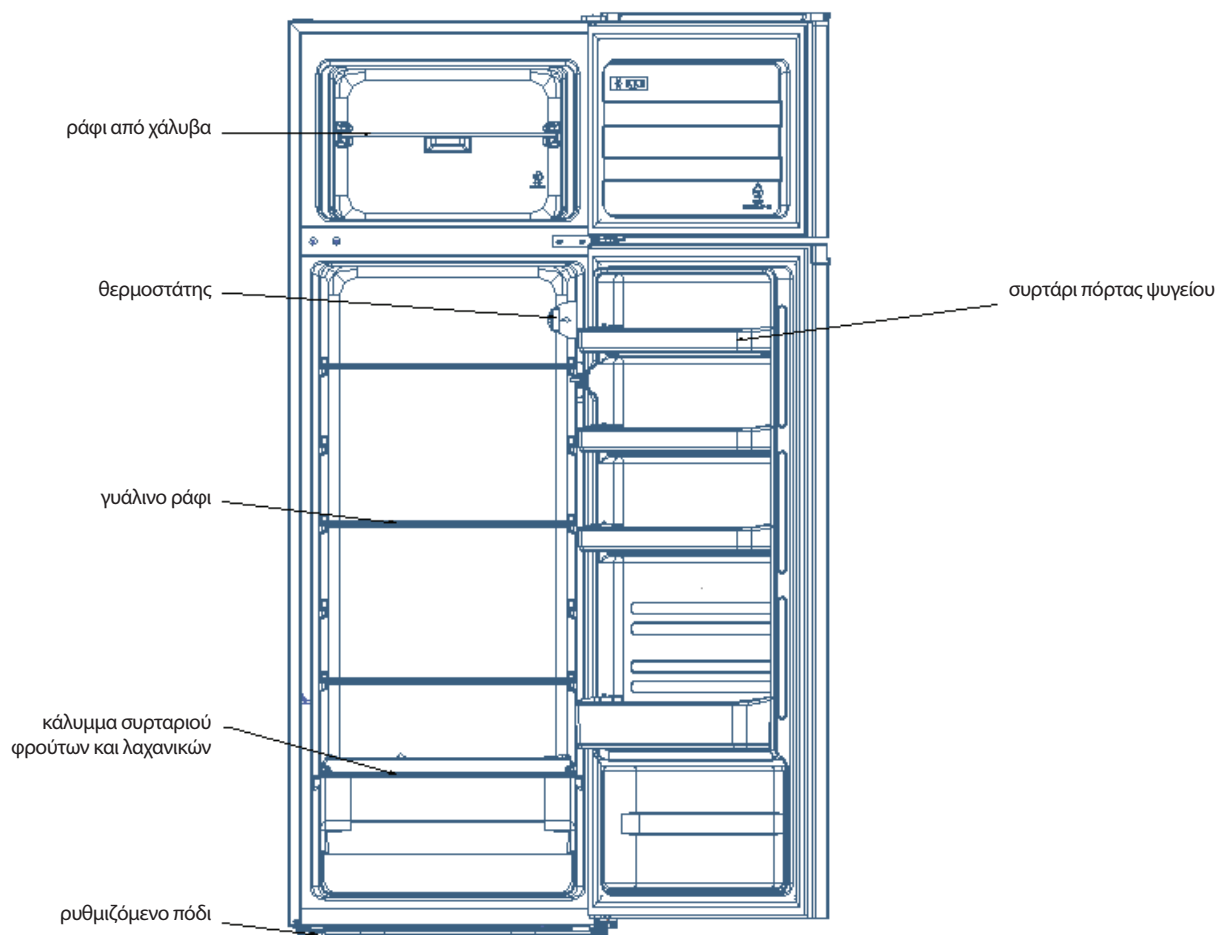
Θα πρέπει πάντα να ωθείτε ένα από τα πλήρους μεγέθους γυάλινα ράφια στη χαμηλότερη σειρά οδηγών, πάνω από τα συρτάρια φρούτων και λαχανικών, και να το διατηρείτε σε αυτή τη θέση. Για να το κάνετε αυτό, τραβήξτε το ράφι αποθήκευσης προς τα εμπρός μέχρι να κινείται προς τα πάνω ή προς τα κάτω και αφαιρέστε το.

Κάντε την αντίστροφη διαδικασία για να τοποθετήσετε το ράφι σε διαφορετικό ύψος.



Για να αξιοποιήσετε στον μέγιστο δυνατό βαθμό τον χώρο φύλαξης νωπών και κατεψυγμένων τροφίμων, μπορείτε να αφαιρέσετε ένα ή περισσότερα ράφια ή συρτάρια από τη συσκευή, ανάλογα με τη χρήση που της κάνετε σε καθημερινή βάση.

ΕΠΙΣΚΟΠΗΣΗ ΠΡΟΪΟΝΤΟΣ



Όταν τα συρτάρια, τα φαγητοδοχεία, τα ράφια κ.λπ. τοποθετούνται με τον τρόπο που απεικονίζεται παραπάνω, διασφαλίζεται η βέλτιστη δυνατή ενεργειακή απόδοση της συσκευής.

*Όλες οι εικόνες σε αυτό το εγχειρίδιο οδηγιών είναι μόνο ενδεικτικές. Ανατρέξτε στη δική σας συσκευή για λεπτομέρειες.

ΛΕΙΤΟΥΡΓΙΑ

Ενεργοποίηση της συσκευής

- Ο περιστροφικός επιλογέας θερμοκρασίας βρίσκεται στο δεξιό πλευρικό τοίχωμα του εσωτερικού του ψυγείου Ρύθμιση «Off» (Απενεργοποίηση): Ρύθμιση απενεργοποίησης συσκευής «Min» (Ελάχ.): Η λιγότερο κρύα θερμοκρασία
- Ρύθμιση «Med» (Μέτρια): Φυσιολογική θερμοκρασία (επαρκής για την πλειοψηφία των περιπτώσεων) Ρύθμιση «Max» (Μέγ.): Η πιο κρύα θερμοκρασία
- Όταν επικρατούν υψηλές θερμοκρασίες περιβάλλοντος, π.χ. πολύ ζεστές καλοκαιρινές μέρες. Μπορεί να χρειάζεται να ρυθμίσετε τον θερμοστάτη στην πιο κρύα ρύθμιση [θέση «Max» (Μέγ.)]. Αυτό μπορεί να έχει ως αποτέλεσμα τη συνεχή λειτουργία του συμπιεστή, προκειμένου να διατηρηθεί χαμηλή η θερμοκρασία στο εσωτερικό της συσκευής.
- Μετά την εγκατάσταση του ψυγείου σας, ρυθμίστε αρχικά τον θερμοστάτη στη θέση «Med» (Μέτρια).
- Πριν προσθέσετε τρόφιμα, δώστε χρόνο στο ψυγείο σας να ψυχθεί πλήρως. Είναι καλύτερα να αναμένετε 24 ώρες προτού προσθέσετε τρόφιμα. Η ρύθμιση της θερμοκρασίας γίνεται μέσω του επιλογέα του θερμοστάτη. Όταν ο θερμοστάτης ρυθμιστεί στη θέση OFF, το ψυγείο δεν λειτουργεί.

Θόρυβος στο εσωτερικό της συσκευής!

Μπορεί να παρατηρήσετε ότι η συσκευή σας κάνει περιέργους θορύβους. Οι περισσότεροι από αυτούς είναι απολύτως φυσιολογικοί, αλλά δεν θα πρέπει να τους παραβλέπετε!

Αυτοί οι θόρυβοι προκαλούνται από την κυκλοφορία του ψυκτικού υγρού στο σύστημα ψύξης Έχουν γίνει πιο έντονοι μετά την εισαγωγή αερίων χωρίς φθοροχλωράνθρακες (CFC). Αυτό δεν είναι βλάβη και δεν επηρεάζει την

απόδοση της συσκευής σας. Είναι ο ηλεκτροκινητήρας του συμπιεστή που λειτουργεί, καθώς προωθεί το ψυκτικό στο σύστημα.

Συμβουλές για τη διατήρηση των τροφίμων στη συσκευή

- Τα μαγειρεμένα κρέατα/ψάρια πρέπει πάντα να τοποθετούνται ένα ράφι πάνω από τα ωμά κρέατα/ψάρια, προκειμένου να αποφευχθεί η μεταφορά βακτηρίων. Διατηρείτε τα ωμά κρέατα/ψάρια σε ένα δοχείο που είναι αρκετά μεγάλο για να συλλέγει τους χυμούς και να τα καλύπτει σωστά. Τοποθετείτε το δοχείο στο χαμηλότερο ράφι.
- Αφήνετε κενό χώρο γύρω από τα δοχεία φαγητού, έτσι ώστε να μπορεί να κυκλοφορεί ο αέρας στο εσωτερικό της συσκευής. Βεβαιωθείτε ότι όλα τα μέρη της συσκευής διατηρούνται δροσερά.
- Για να προληφθεί η μεταφορά οσμών και η ξήρανση των τροφίμων, συσκευάζετε ή καλύπτετε κάθε τρόφιμο ξεχωριστά. Τα φρούτα και τα λαχανικά δεν χρειάζεται να τυλιγνόνται.
- Αφήνετε πάντα το μαγειρεμένο φαγητό να κρυώσει προτού το τοποθετήσετε στη συσκευή. Αυτό θα συμβάλει στη διατήρηση της εσωτερικής θερμοκρασίας της συσκευής.
- Για την αποτροπή της διαφυγής ψυχρού αέρα από τη συσκευή, προσπαθήστε να ανοίγετε λιγότερες φορές την πόρτα. Σας συνιστούμε να ανοίγετε την πόρτα μόνο όταν πρέπει να βάλετε ή να βγάλετε τρόφιμα.

Αλλαγή λαμπτήρα

Η αντικατάσταση των λαμπτήρων πρέπει να γίνεται από επαγγελματίες.

ΚΑΘΑΡΙΣΜΟΣ

Απόψυξη

Αυτόματη απόψυξη ή ψυγείο που δεν χρειάζεται απόψυξη

Καθαρισμός του εσωτερικού και του εξωτερικού μέρους της συσκευής

- Η σκόνη που συσσωρεύεται πίσω από τη συσκευή και πάνω στο δάπεδο πρέπει να καθαρίζεται σε τακτά χρονικά διαστήματα για βελτιωμένη απόδοση ψύξης και εξοικονόμηση ενέργειας.
- Ελέγχετε το λάστιχο στεγανοποίησης της πόρτας σε τακτική βάση, για να βεβαιωθείτε ότι δεν έχουν συσσωρευτεί υπολείμματα στην επιφάνειά του. Καθαρίστε το λάστιχο στεγανοποίησης της πόρτας με ένα μαλακό βρεγμένο πανί και νερό με σαπούνι ή αραιωμένο καθαριστικό.
- Το εσωτερικό του ψυγείου πρέπει να καθαρίζεται τακτικά για την αποφυγή ανάπτυξης δυσάρεστων οσμών.
- Αποσυνδέστε τη συσκευή από την πηγή τροφοδοσίας πριν από τον καθαρισμό του εσωτερικού της και κατόπιν αφαιρέστε όλα τα τρόφιμα, τα ποτά, τα ράφια, τα συρτάρια κ.λπ.
- Χρησιμοποιήστε ένα μαλακό πανί ή σφουγγάρι για να καθαρίσετε το εσωτερικό του ψυγείου το οποίο θα έχετε εμποτίσει με μείγμα αποτελούμενο από δύο κουταλιές της σούπας μαγειρική σόδα και ένα τέταρτο ζεστό νερό. Στη συνέχεια, ξεπλύνετε με νερό και σκουπίστε. Μετά τον καθαρισμό, ανοίξτε την πόρτα και αφήστε τη συσκευή να στεγνώσει φυσικά προτού τη συνδέσετε στην πρίζα.
- Τα δυσπρόσιτα σημεία του ψυγείου που δεν είναι εύκολο να καθαριστούν (όπως στενές εσοχές, κενά ή γωνίες) συνιστάται να σκουπίζονται τακτικά με ένα μαλακό πανί, μια μαλακή βούρτσα κ.λπ. και, εφόσον είναι απαραίτητο, συνδυάζοντας κάποια βοηθητικά μέσα (όπως λεπτά μακρία

αντικείμενα), προκειμένου να διασφαλιστεί ότι δεν συσσωρεύονται ακαθαρσίες ή βακτήρια σε αυτά τα σημεία.

- Μη χρησιμοποιείτε σαπούνι, απορρυπαντικό, λειαντική σκόνη, καθαριστικό σπρέι κ.λπ., καθώς μπορούν να προκαλέσουν δυσάρεστες οσμές στο εσωτερικό του ψυγείου ή επιμόλυνση των τροφίμων.
- Καθαρίστε το κάτω πλαίσιο, τα ράφια και τα συρτάρια με ένα μαλακό βρεγμένο πανί και νερό με σαπούνι ή αραιωμένο καθαριστικό. Στεγνώστε τη συσκευή με ένα μαλακό πανί ή αφήστε τη να στεγνώσει φυσικά.
- Σκουπίστε την εξωτερική επιφάνεια του ψυγείου με ένα μαλακό πανί βρεγμένο με σαπούνι και νερό, απορρυπαντικό κ.λπ. και μετά στεγνώστε την.
- Μη χρησιμοποιείτε σκληρές βούρτσες, σύρμα καθαρισμού, συρματόβουρτσες, λειαντικά (όπως οδοντόκρεμες), οργανικούς διαλύτες (όπως οινόπνευμα, ακετόνη, λάδι μπανάνας, κλπ.), βραστό νερό, όξινα ή αλκαλικά στοιχεία, που μπορούν να προκαλέσουν βλάβη στην επιφάνεια και το εσωτερικό του ψυγείου. Το βραστό νερό και οι οργανικοί διαλύτες, όπως το βενζόλιο, μπορούν να παραμορφώσουν ή να προκαλέσουν ζημιά στα πλαστικά μέρη.
- Για να αποφύγετε τα βραχυκυκλώματα και για να μην επηρεαστεί η ηλεκτρική μόνωση λόγω της επαφής με το νερό, μην ξεπλένετε απευθείας με νερό ή άλλα υγρά κατά τον καθαρισμό.

Συμβουλές για τον καθαρισμό

Μπορεί να εμφανιστεί συμπύκνωση στο εξωτερικό μέρος της συσκευής. Αυτό μπορεί να οφείλεται σε μεταβολή της θερμοκρασίας του δωματίου. Σκουπίστε τυχόν υπολείμματα υγρασίας. Αν το πρόβλημα συνεχιστεί, επικοινωνήστε με εξειδικευμένο τεχνικό για βοήθεια.

ΣΥΝΤΗΡΗΣΗ

Αλλαγή λάμπας στο εσωτερικό της συσκευής

Η αντικατάσταση των λαμπτήρων πρέπει να γίνεται από επαγγελματίες.

Προσοχή κατά τον χειρισμό/τη μετακίνηση της συσκευής

Όταν μετακινείτε τη συσκευή, κρατάτε την από τα πλαϊνά μέρη ή τη βάση. Σε καμία περίπτωση δεν θα πρέπει να την ανυψώνετε κρατώντας την από τις προεξοχές της επάνω επιφάνειας.

Σέρβις

Η συσκευή πρέπει να συντηρείται από εξουσιοδοτημένο τεχνικό και πρέπει να χρησιμοποιούνται μόνο γνήσια ανταλλακτικά. Σε καμία περίπτωση

μην επιχειρήσετε να επισκευάσετε μόνοι σας τη συσκευή. Οι επισκευές που πραγματοποιούνται από ανεπίδικτα άτομα μπορεί να προκαλέσουν τραυματισμούς ή σοβαρές δυσλειτουργίες. Απευθυνθείτε σε εξειδικευμένο τεχνικό.

Εκτός λειτουργίας για μεγάλο χρονικό διάστημα

Όταν η συσκευή δεν πρόκειται να χρησιμοποιηθεί για μεγάλο χρονικό διάστημα, αποσυνδέστε την από την τροφοδοσία, αδειάστε όλα τα τρόφιμα και καθαρίστε την, αφήνοντας την πόρτα μισάνοιχτη για να αποτρέψετε την ανάπτυξη δυσάρεστων οσμών.

ΑΝΤΙΜΕΤΩΠΙΣΗ ΠΡΟΒΛΗΜΑΤΩΝ

Τα παρακάτω απλά ζητήματα μπορούν να αντιμετωπιστούν από τον χρήστη. Αν τα ζητήματα δεν διευθετηθούν, καλέστε το τμήμα εξυπηρέτησης μετά την πώληση.

Η συσκευή δεν λειτουργεί	Ελέγξτε εάν ο καταψύκτης είναι συνδεδεμένος στην πρίζα και αν τροφοδοτείται με ηλεκτρικό ρεύμα. Χαμηλή τάση. Διακοπή ρεύματος ή κύκλωμα απασφάλισης ασφαλειοδιακόπτη.
Δυσάρεστη οσμή	Τα τρόφιμα με έντονη μυρωδιά θα πρέπει να τυλιγνούνται καλά. Κάποιο τρόφιμο έχει χαλάσει. Ελέγξτε αν το εσωτερικό της συσκευής πρέπει να καθαριστεί.
Μακροπρόθεσμη λειτουργία του συμπιεστή	Είναι φυσιολογικό το ψυγείο να λειτουργεί για μεγαλύτερο χρονικό διάστημα το καλοκαίρι, όταν η θερμοκρασία του περιβάλλοντος είναι υψηλότερη. Μην τοποθετείται υπερβολικά πολλά τρόφιμα στο διαμέρισμα κατάψυξης ταυτόχρονα. Περιμένετε έως ότου τα φαγητά κρυώσουν πλήρως πριν τα τοποθετήσετε στη συσκευή. Συχνό άνοιγμα της πόρτας του ψυγείου.
Η λάμπα δεν ανάβει	Ελέγξτε εάν ο καταψύκτης είναι συνδεδεμένος σε μια πηγή τροφοδοσίας ή εάν η λάμπα έχει υποστεί ζημιά.
Η πόρτα του ψυγείου δεν μπορεί να κλείσει σωστά.	Οι στοιβαγμένες συσκευασίες τροφίμων εμποδίζουν το κλείσιμο της πόρτας του καταψύκτη. Πάρα πολλά τρόφιμα. Γείρετε το ψυγείο.
Έντονος θόρυβος	Ελέγξτε εάν τα τρόφιμα είναι οριζοντιωμένα, αν το ψυγείο πατάει σταθερά και αν τα εξαρτήματα του ψυγείου είναι σωστά τοποθετημένα.

Συμβουλές

- Το περίβλημα του ψυγείου μπορεί να εκπέμπει θερμότητα κατά τη λειτουργία, ειδικά το καλοκαίρι. Αυτό οφείλεται στην ακτινοβολία του συμπυκνωτή και είναι φυσιολογικό φαινόμενο.
- Συμπύκνωση: το φαινόμενο της συμπύκνωσης θα εντοπίζεται στην

εξωτερική επιφάνεια και τα λάστιχα στεγανοποίησης της πόρτας του Buzz: διαμερίσματος κατάψυξης όταν η υγρασία του περιβάλλοντος είναι μεγάλη. Πρόκειται για ένα φυσιολογικό φαινόμενο και οι συμπυκνωμένοι υδρατμοί μπορούν να σκουπιστούν με μια στεγνή πετσέτα.

- Βόμβος: Θα παράγεται βόμβος κατά τη λειτουργία του συμπιεστή, ειδικά κατά την έναρξη ή τη διακοπή λειτουργίας.

ΣΥΜΒΟΥΛΕΣ ΓΙΑ ΕΞΟΙΚΟΝΟΜΗΣΗ ΕΝΕΡΓΕΙΑΣ

Προειδοποιήσεις σχετικά με την ενέργεια


1. Η λειτουργία των ψυκτικών συσκευών ενδέχεται να μην είναι ομαλή (πιθανότητα απόψυξης των περιεχόμενων τροφίμων ή πολύ μεγάλη άνοδος της θερμοκρασίας στο διαμέρισμα κατάψυξης), όταν αυτές βρίσκονται εγκατεστημένες για μεγάλο χρονικό διάστημα σε χώρο με θερμοκρασίες μικρότερες του κατώτατου ορίου θερμοκρασίας για το οποίο έχουν σχεδιαστεί.
2. Τα ανθρακούχα ποτά δεν πρέπει να αποθηκεύονται σε διαμερίσματα ή συρτάρια σε συνθήκες κατάψυξης ή χαμηλής θερμοκρασίας λειτουργίας και ορισμένα προϊόντα, όπως οι παγοκύβοι, δεν πρέπει να καταναλώνονται όταν είναι πολύ κρύα.
3. Δεν πρέπει να γίνεται υπέρβαση της διάρκειας αποθήκευσης που συνιστάται από τους παρασκευαστές τροφίμων για οποιοδήποτε

είδος τροφίμου και ιδίως για είδη γρήγορης κατάψυξης που διατίθενται στο εμπόριο στα διαμερίσματα κατάψυξης τροφίμων και στους καταψύκτες.

4. Πρέπει να λαμβάνονται τα απαραίτητα μέτρα προφύλαξης προκειμένου να παρεμποδιστεί η αναίτια αύξηση της θερμοκρασίας των κατεψυγμένων τροφίμων κατά την απόψυξη της ψυκτικής συσκευής, όπως η τύλιξή τους σε στρώσεις εφημερίδων.
5. Η αύξηση της θερμοκρασίας των κατεψυγμένων τροφίμων σε περίπτωση μη αυτόματης απόψυξης, συντήρησης ή καθαρισμού της συσκευής θα μπορούσε να επιφέρει μείωση της διάρκειας αποθήκευσης.

ΑΠΟΡΡΙΨΗ

Οι παλιές συσκευές εξακολουθούν να έχουν κάποια υπολειμματική αξία. Μια φιλική προς το περιβάλλον μέθοδος απόρριψης θα εξασφαλίσει τη δυνατότητα ανάκτησης και επαναχρησιμοποίησης πολύτιμων πρώτων υλών. Το ψυκτικό που χρησιμοποιείται στη συσκευή σας και τα μονωτικά υλικά απαιτούν ειδικές διαδικασίες απόρριψης. Πριν από τη απόρριψη, βεβαιωθείτε ότι κανένας από τους σωλήνες στο πίσω μέρος της συσκευής δεν έχει υποστεί ζημιά. Επικαιροποιημένες πληροφορίες σχετικά με τις επιλογές απόρριψης της παλιάς συσκευής και των υλικών συσκευασίας της νέας μπορούν να ληφθούν από την τοπική υπηρεσία του δήμου σας. Κατά την απόρριψη μιας παλιάς συσκευής, σπάστε τυχόν παλιές κλειδαριές ή σύρτες και αφαιρέστε την πόρτα, ως μέτρο προστασίας.

Ορθή απόρριψη του προϊόντος	
	<p>Ορθή απόρριψη του προϊόντος Αυτή η σήμανση υποδεικνύει ότι αυτό το προϊόν δεν θα πρέπει να απορρίπτεται με άλλα οικιακά απόβλητα σε ολόκληρη την ΕΕ. Για να αποφευχθούν πιθανές ζημιές στο περιβάλλον ή την ανθρώπινη υγεία από την ανεξέλεγκτη διάθεση απορριμμάτων, ανακυκλώστε το υπεύθυνα για να προωθήσετε την αειφόρο επαναχρησιμοποίηση των υλικών πόρων. Για να επιστρέψετε τη μεταχειρισμένη συσκευή σας, χρησιμοποιήστε τα συστήματα επιστροφής και συλλογής ή επικοινωνήστε με το κατάστημα από το οποίο αγοράσατε το προϊόν. Εκεί μπορούν να παραλάβουν αυτό το προϊόν για περιβαλλοντικά ασφαλή ανακύκλωση.</p>

Για περισσότερες πληροφορίες, επικοινωνήστε με τις τοπικές αρχές ή το κατάστημα από το οποίο αγοράσατε το προϊόν.

Πίνακας 1 Κλιματικές κλάσεις

Κλάση	Σύμβολο	Εύρος θερμοκρασίας περιβάλλοντος °C
Εκτεταμένη εύκρατη	SN	+10 έως +32
Εύκρατη	ΌΧΙ	+ 16 έως +32
Υποτροπική	ST	+16 έως + 38
Τροπική	T	+ 16 έως + 43

Εκτεταμένη εύκρατη: αυτή η ψυκτική συσκευή προορίζεται για χρήση σε θερμοκρασίες περιβάλλοντος που κυμαίνονται από 10 °C έως 32 °C. Εύκρατη: αυτή η ψυκτική συσκευή προορίζεται για χρήση σε θερμοκρασίες περιβάλλοντος που κυμαίνονται από 16 °C έως 32 °C. Υποτροπική: αυτή η ψυκτική συσκευή προορίζεται για χρήση σε θερμοκρασίες περιβάλλοντος που κυμαίνονται από 16 °C έως 38 °C. Τροπική: αυτή η ψυκτική συσκευή προορίζεται για χρήση σε θερμοκρασίες περιβάλλοντος που κυμαίνονται από 16 °C έως 43 °C.

SIGURNOSNA UPOZORENJA



Upozorenje: rizik od požara / zapaljivi materijali

- OVAJ uređaj je namjenjen za upotrebu u domaćinstvima i sličnom okruženju poput kuhinja za osoblje u prodavnicama, kancelarijama i drugom radnom okruženju; poljoprivrednih domaćinstava i hotela, motela i ostalih objekata rezidencijalnog tipa, gdje se stavlja na raspolaganje klijentima; objekata koji pružaju uslugu noćenja sa doručkom; keteringa i u slične neprodajne namjene.
 - NIJE predviđeno da ovaj uređaj koriste osobe (uključujući djecu) sa umanjanim fizičkim, senzornim ili mentalnim sposobnostima, ili sa nedostatkom iskustva i znanja, osim ukoliko su pod nadzorom osobe odgovorne za njihovu bezbjednost ili ukoliko im je pomenuta osoba pružila objašnjenje u vezi sa upotrebom uređaja.
 - Djecu je potrebno nadgledati kako biste bili sigurni da se ne igraju uređajem.
 - UKOLIKO je kabal za napajanje oštećen, potrebno je da njegovu zamjenu obavi proizvođač, njegov ovlašteni serviser ili lica sa sličnim kvalifikacijama kako bi se izbjegao nastanak opasnosti.
 - NEMOJTE držati eksplozivne supstance poput aerosol boca sa zapaljivim potisnim gasom u ovom uređaju.
 - UREĐAJ je potrebno iskopčati iz utičnice nakon upotrebe, a prije njegovog korisničkog održavanja.
 - UPOZORENJE: Povedite računa da ventilacioni otvori ne budu blokirani unutar ugradbenog dijela ili ugradbene konstrukcije za uređaj.
 - UPOZORENJE: Ne upotrebljavajte mehanička sredstva ili druge postupke za ubrzavanje procesa otapanja, ukoliko nisu preporučeni od strane proizvođača.
 - UPOZORENJE: Ne oštećujte instalacije za rashladno sredstvo.
 - UPOZORENJE: Ne upotrebljavajte električne uređaje unutar odjeljaka za držanje hrane ovog uređaja, osim ukoliko su u pitanju tipovi uređaja preporučeni od strane proizvođača.
 - UPOZORENJE: Frižider odložite u skladu sa lokalnim propisima jer se za njegov rad upotrebljavaju zapaljivi eksplozivni gas i rashladno sredstvo.
 - UPOZORENJE: Prilikom pozicioniranja uređaja, uvjerite se da kabal za napajanje nije pritisnut ili oštećen.
 - UPOZORENJE: Nemojte postavljati prenosive produžne kablove sa više utičnica ili prenosive akumulatore iza uređaja.
 - NE upotrebljavajte produžne kablove ili neuzemljene (sa dva kraka) adaptere.
 - OPASNOST: Rizik od zatvaranja djece unutar uređaja. Prije nego što odbacite svoj stari frižider ili zamrzivač:
 - Skinite vrata.
 - Ostavite police unutar uređaja kako djeca ne bi mogla da se lako uvuku unutra.
 - PRIJE nego što se započne sa postupkom instalacije nekog pratećeg elementa, frižider je potrebno iskopčati sa izvora napajanja.
 - RASHLADNO sredstvo i pjenušavo sredstvo ciklopentan, koji se upotrebljavaju u okviru frižidera, su zapaljivi.
 - Stoga, prilikom odlaganja frižidera, držite ga dalje od izvora plamena i, umjesto da ga odložite sagorjevanjem, predajte ga nekoj od specijalizovanih kompanija za recikliranje sa odgovarajućim kvalifikacijama kako bi se omogućilo njegovo ponovno iskorištenje, jer ćete na taj način spriječiti štetne efekte po životnu sredinu ili druge opasnosti.
 - ZA EN standard: Ovaj uređaj mogu upotrebljavati djeca starosti od 8 ili više godina i osobe sa umanjanim fizičko-senzornim ili mentalnim sposobnostima ili nedostatkom iskustva i znanja ukoliko su pod nadzorom ili su upućeni u bezbjedno korištenje uređaja i shvataju opasnosti koje njegova upotreba nosi. Djeca se ne smiju igrati uređajem. Djeca ne smiju da obavljaju čišćenje i korisničko održavanje uređaja bez nadzora. Djeca starosti od 3 do 8 godina mogu stavljati hranu u ili je uzimati iz uređaja za rashlađivanje.
 - Ključevi vrata ili poklopaca s bravama moraju se čuvati izvan dohvata djece i ne smiju biti u neposrednoj blizini uređaja, tako da djeca ne mogu biti zaključana iznutra.”
 - KAKO biste izbjegli kontaminiranje hrane, pridržavajte se sljedećih uputstava:
 - Dugo držanje vrata uređaja otvorenim može da dovede do značajnog rasta temperature unutar odjeljaka uređaja.
 - Redovno čistite površine koje mogu da dođu u dodir sa hranom, kao i pristupačne dijelove odvodnog sistema.
 - Očistite posude za vodu ukoliko ih niste koristili tokom vremenskog perioda od 48 h; ukoliko tokom vremenskog perioda od 5 dana niste uzimali vodu iz uređaja, isperite sistem za protok vode povezan na dovod vode. (napomena 1)
 - Sirovo meso i ribu unutar frižidera držite u odgovarajućim posudama kako ove namirnice ne bi došle u dodir sa ili kako ne bi kapale po ostaloj hrani.
 - Odjeljci za smrznutu hranu označeni sa dvije zvjezdicama pogodni su za držanje prethodno smrznute hrane, za držanje ili pravljenje sladoleda i za pravljenje kockica leda. (napomena 2)
 - Odjeljci označeni jednom , sa dvije , sa tri ili četiri zvjezdice nisu pogodni za zamrzavanje svježe hrane. (napomena 3)
 - Ukoliko će uređaj za rashlađivanje biti prazan tokom dužeg vremenskog perioda, isključite ga, odledite, očistite i osušite, a zatim ostavite vrata uređaja otvorenim kako biste spriječili razvoj buđi u unutrašnjosti uređaja.
 - Kod uređaja koji nemaju odjeljak označen sa četiri zvjezdice: ovaj uređaj za rashlađivanje nije pogodan za zamrzavanje namirnica. (napomena 4)
- Napomene 1, 2, 3, 4: Provjerite da li su navedene informacije primjenjive na tipove odjeljaka Vašeg proizvoda.
- ZA samostojeće uređaje: nije predviđeno da se ovaj uređaj za rashlađivanje upotrebljava kao ugradbeni uređaj.
 - PREDVIĐENO je da svaki postupak zamjene ili održavanja LED lampica obavlja proizvođač, njegov ovlašteni serviser ili lica sa sličnim kvalifikacijama. Lampica pripada klasi G energetske efikasnosti.

INSTALACIJA

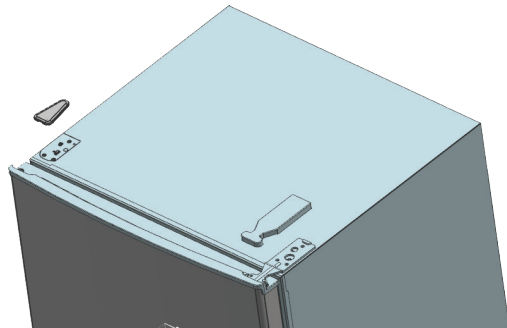
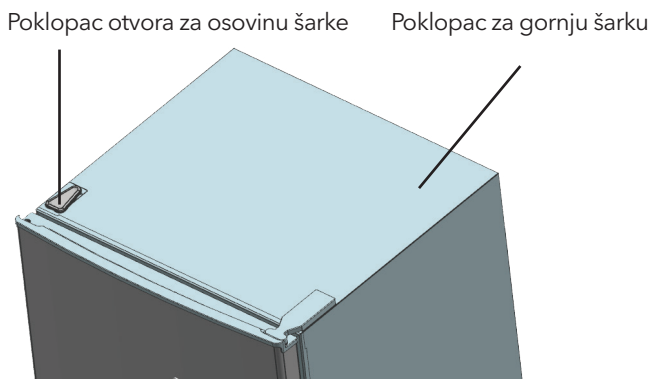
Lokacija

Prilikom izbora lokacije za Vaš uređaj, uvjerite se da je podloga ravna i čvrsta, kao i da je prozračnost u prostoriji dobra. Izbjegavajte postavljanje uređaja u blizini izvora topline, npr. štednjaka, bojlera ili radijatora. Također, izbjegavajte direktno izlaganje suncu, jer ono može da dovede do povećane potrošnje električne energije. Izuzetno niske sobne temperature također mogu prouzrokovati

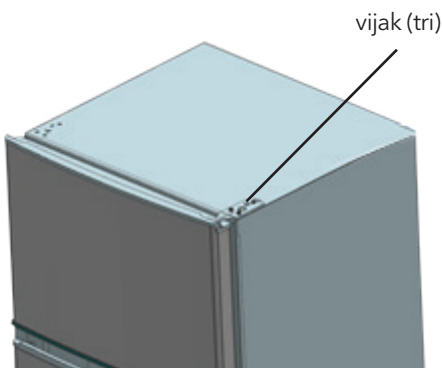
Promjena smjera otvaranja vrata

Potreban alat: Križni odvijač / ravni odvijač / šestokutni ključ

1. Uklonite poklopac za osovinu šarke



2. Pomoću križnog odvijača, uklonite vijke kojima je pričvršćena gornja šarka.

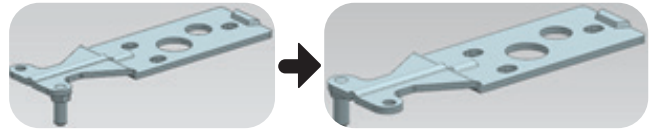


loš rad uređaja. Ovaj uređaj nije namijenjen za upotrebu u garažama, kao ni za postavljanje na otvorenom. Ne prekrivajte uređaj.

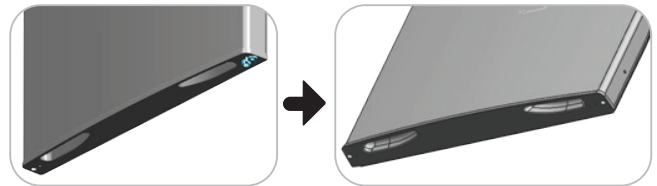
Prilikom postavljanja, provjerite da li je sa obe strane uređaja ostavljen razmak širine 10 cm, kao i 10 cm od zadnje i 30 cm od gornje površine uređaja. Na ovaj način ćete omogućiti cirkuliranje hladnog zraka oko vinske vitrine i poboljšati učinkovitost procesa hlađenja.

3. Premjestite gornju šarku i gornji graničnik za vrata, kao i nosač vrata na drugu stranu.

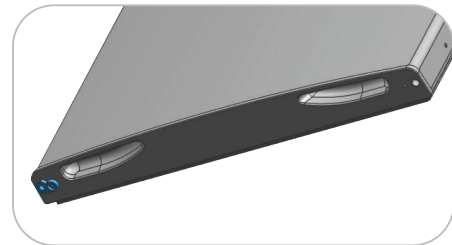
A. Skinite maticu sa nosačem. Uklonite podlošku, a zatim premjestite osovinu na drugu



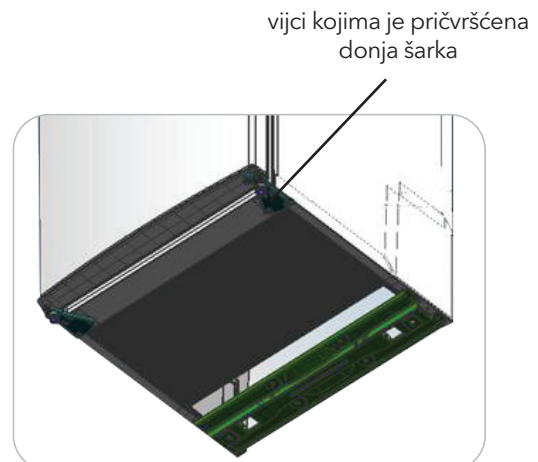
B. Skinite graničnik za vrata



C. Molimo Vas da pripremite drugi graničnik za vrata i pričvrstite ga vijcima na vratima

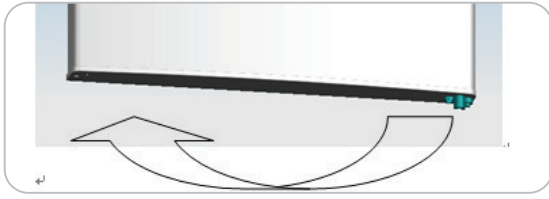


4. Skinite vijke kojima je pričvršćena donja šarka pomoću križnog odvijača.

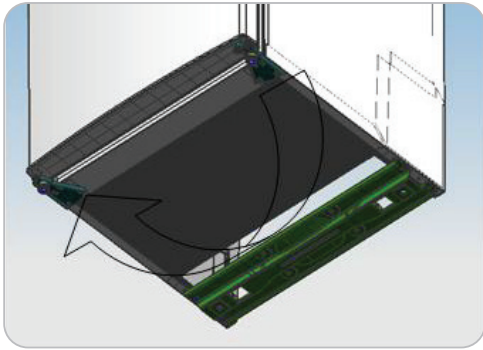


Napomena: kut nagiba hladnjaka- zamrzivača je manji od 45°.

5. Promijenite stranu donjem nosaču vrata i graničniku.



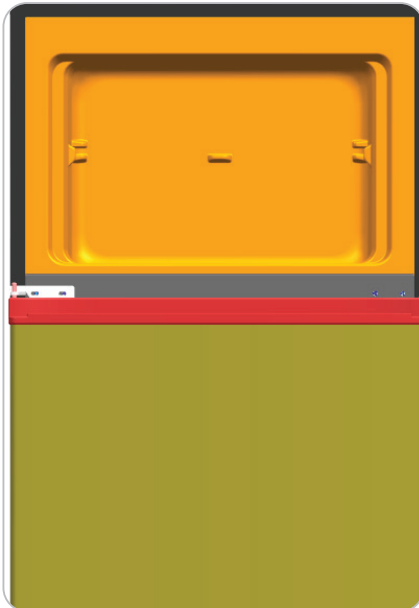
6. Premjestite donju šarku na drugu stranu, a zatim je pričvrstite vijcima.



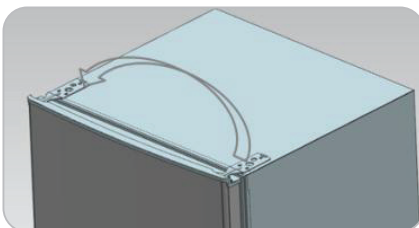
7. Premjestite središnju šarku.



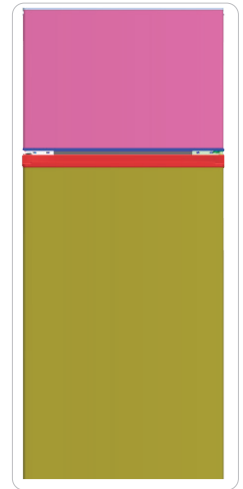
8. Postavite donja vrata u odgovarajuću poziciju i pričvrstite središnju šarku.



9. Premjestite gornju šarku.



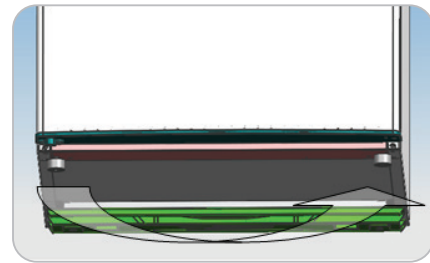
10. Postavite gornja vrata u odgovarajuću poziciju, pričvrstite gornju šarku i poklopac.



11. Postavite četiri poklopca vijaka i dva utora u odgovarajuće položaje.

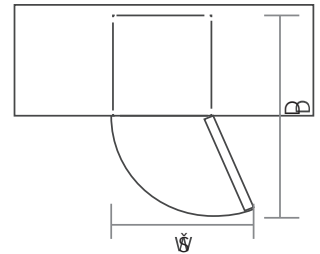
- Uvjerite se da je uređaj isključen iz struje i ispražnjen.
- Postavite dvije nožice za podešavanje u najviši položaj
- Prepoučujemo Vam da ovo ne radite sami.

12. Pomaknite nivelator na drugu stranu i podesite ga tako da budete sigurni da je uređaj izniveliran.



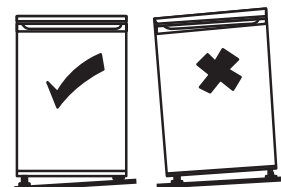
Potrebna prostor za vrata

Potrebno je ostaviti dovoljno prostora za potpuno otvaranje vrata uređaja na način prikazan na slici. $\text{Š} \times \text{D} \geq 902 \times 1052 \text{ mm}$.



Niveliranje uređaja

Obavlja se podešavanjem dvije nožice za niveliranje, koje se nalaze na prednjoj strani uređaja. Ukoliko uređaj nije izniveliran, vrata i magnetna brtva neće se pravilno zatvoriti. Prije upotrebe provjerite da li nožica dodiruje podlogu. Od vrha, okrenite u smjeru kretanja kazaljke na satu ili u smjeru suprotnom od kretanja kazaljke na satu radi otpuštanja ili zatezanja.



Čišćenje prije upotrebe

Unutrašnjost uređaja obrišite slabom otopinom sode bikarbone. Zatim isperite toplom vodom pomoću spužve ili tkanine koju je moguće cijediti. Police i odjeljak za salatu operite toplom vodom sa sapunicom i potpuno ih osušite prije ponovnog postavljanja u uređaj. Očistite vanjsku stranu uređaja vlažnom krpom. Ukoliko je potrebno više informacija pogledajte odjeljak Čišćenje.

Prije upotrebe uređaja

Kako biste osigurali sigurnost pri uporabi, ni pod kojim okolnostima, nemojte oštetiti kabel napajanja niti ga koristite ako je kabel napajanja oštećen ili ako je utikač istrošen.

Kako biste spriječili oštećenje proizvoda ili požar, u hladnjak nemojte stavljati zapaljive, eksplozivne i hlapljive predmete, kao ni predmete koji lako korodiraju.

Kako biste izbjegli požar, ne stavljajte zapaljive predmete blizu hladnjaka.

Ovaj proizvod je hladnjak dizajniran za upotrebu u kućanstvu i pogodan je isključivo za čuvanje hrane. Prema nacionalnim standardima, hladnjaci namijenjeni za upotrebu u kućanstvima se ne smiju koristiti u druge svrhe, kao što su čuvanje krvi, lijekova ili bioloških proizvoda.

Ne stavljajte u hladnjak predmete kao što su tekućine u bocama ili tekućine u zatvorenim spremnicima, kao što su piva u bocama kako biste izbjegli njihovo pucanje i drugu štetu.

Prije nego što u svoj uređaj stavite bilo kakvu hranu, uključite ga i pričekajte 24 sata, kako biste bili sigurni da radi na odgovarajući način i kako biste mu ostavili dovoljno vremena da temperaturu spusti na odgovarajuću vrijednost. Uređaj ne treba prepunjavati.



• Prije povezivanja na struju

Morate provjeriti da li imate utičnicu kompaktilnu sa utikačem dostavljenim uz uređaj.

• Prije nego što uključite uređaj!

Uređaj ne uključujte bar dva sata nakon njegovog prijenosa.

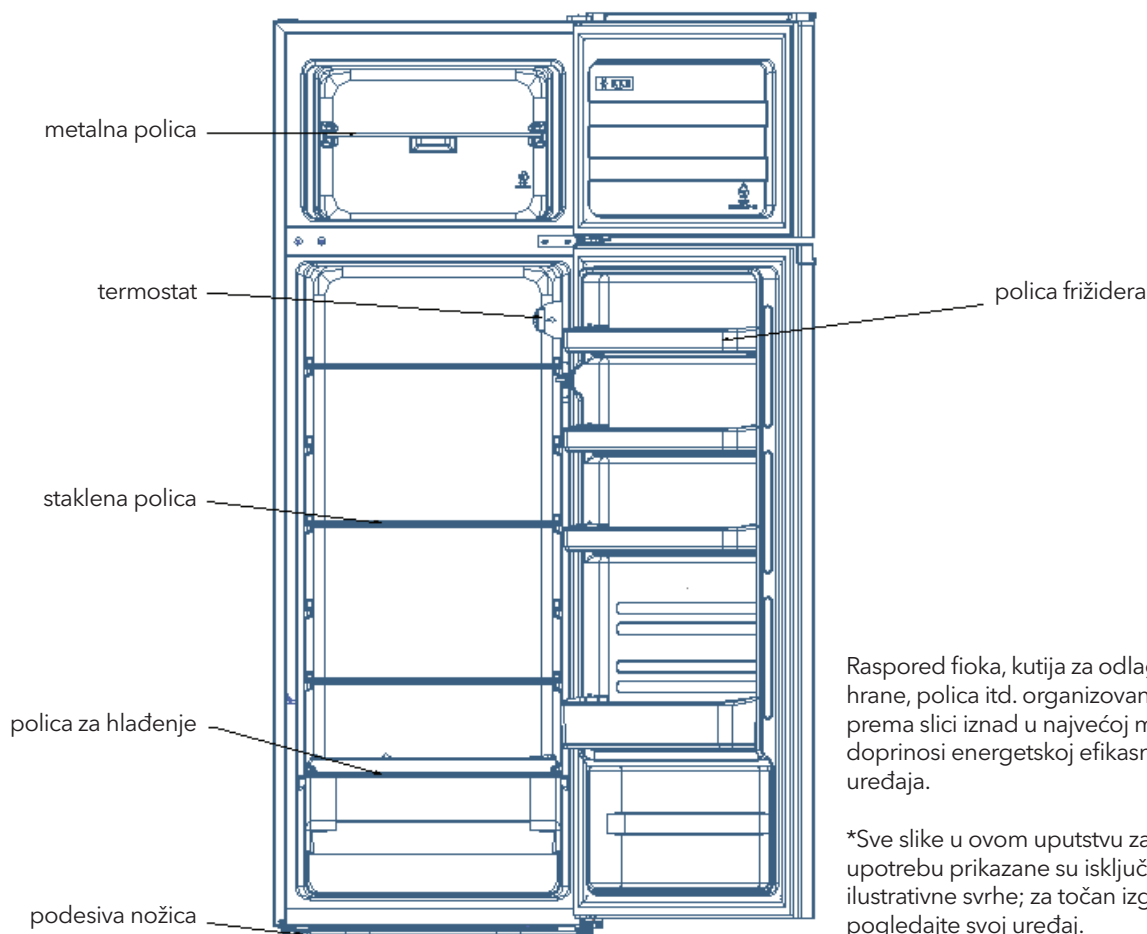
Unutarnji prateći elementi

Vaš uređaj sadrži različite staklene ili plastične police za odlaganje - kombinacije se razlikuju ovisno o modelu. Jednu od staklenih policica za odlaganje, koja zahvaća kompletnu površinu uređaja, treba uvijek kliznim pokretom ubaciti u najniže vodilice, iznad odjeljka za voće i povrće, i ostaviti je na tom mjestu. Ovo napravite tako što ćete povući policicu za odlaganje prema naprijed, do položaja u kome je moguće njeno rotiranje prema gore ili dolje i uklanjanje. Kako biste policicu postavili na neku drugu visinu, pratite gore navedene korake, samo obrnutim redoslijedom.



Kako biste maksimalno iskoristili zapreminu odjeljka za čuvanje svježe hrane i odjeljka za čuvanje smrznute hrane, možete ukloniti jednu ili više policica iz uređaja, ovisno od Vaših svakodnevnih potreba.

PRIKAZ PROIZVODA



Raspored fioka, kutija za odlaganje hrane, policica itd. organizovan prema slici iznad u najvećoj mjeri doprinosi energetskej efikasnosti uređaja.

*Sve slike u ovom uputstvu za upotrebu prikazane su isključivo u ilustrativne svrhe; za točan izgled, pogledajte svoj uređaj.

RAD UREĐAJA

Uključivanje uređaja

- tipka za izbor temperature nalazi se na desnom zidu, u unutrašnjosti frižidera
Podešavanje na „Isključeno“ (Off): Uređaj je isključen
Podešavanje na „Min“: Manja jačina hlađenja
- Podešavanje na „Med“: Normalan rad (odgovara većini situacija)
Podešavanje na „Max“: Najjače hlađenje
- Pri visokim sobnim temperaturama, npr. tokom vrelih ljetnih dana može biti potrebno da se termostat podesi na Najjače hlađenje (pozicija „Max“). Ovo za rezultat može imati neprekidan rad kompresora u cilju održavanja niske temperature u uređaju.
- Prilikom inicijalnog postavljanja frižidera, tipku termostata podesite na „Med“. Prije nego što počnete ubacivati hranu, ostavite frižider da se potpuno ohladi. Najbolje je pričekati 24 sata prije stavljanja hrane u frižider. Tipkom termostata se kontrolira temperatura. Ukoliko je kontrolna tipka termostata podešena na ISKLJUČENO (OFF), frižider neće raditi.

Buka unutar uređaja!

Možda ćete primjetiti da Vaš uređaj radi određene neobične zvukove. Većina spomenutih zvukova je savršeno normalna, ali je potrebno da ih budete svjesni!

ČIŠĆENJE

Otapanje

Automatsko odmrzavanje za frost-free hladnjak.

ČIŠĆENJE UNUTARNJIH I VANJSKIH DIJELOVA UREĐAJA

- Da biste unaprijedili efekat hlađenja i uštedu energije, redovno čistite prašinu iza frižidera i sa podloge.
- Redovno provjeravajte zaptivku na vratima kako biste bili sigurni da na njoj nema prljavštine. Očistite zaptivku na vratima mekanom krpom navlaženom vodom sa sapunicom ili razblaženim deterdžentom.
- Da izbjegnute stvaranje neprijatnih mirisa, redovno čistite unutrašnjost frižidera.
- Prije nego što započnete sa čišćenjem unutrašnjosti frižidera, isključite ga iz struje, uklonite svu hranu, pića, police, fioke, itd.
- Za čišćenje unutrašnjosti frižidera koristite mekanu krpu ili spužvu sa dvije supene kašike sode bikarbone i četvrtinu litre tople vode. Zatim isperite vodom i obrišite. Nakon čišćenja, otvorite vrata i, prije nego što uređaj priključite na napajanje, ostavite ga da se prirodno osuši.
- Za čišćenje teško dostupnih dijelova frižidera (poput uskih otvora, proreza ili uglova), preporučuje se redovno brisanje mekanom krpom, mekanom četkom, itd., po potrebi u kombinaciji sa nekim pomoćnim alatom (poput tankih štapića), čime se na pomenutim mjestima sprječava akumuliranje kontaminanata ili bakterija.

Zvukovi nastaju usljed cirkuliranja tekućeg rashladnog sredstva unutar sistema za hlađenje. Ovo je postalo izraženije nakon uvođenja plinova koji ne sadrže hloroflorouglenike (HFU). Ovo ne predstavlja grešku i neće utjecati na rad Vašeg uređaja. Radi se o zvuku rada motora kompresora tokom pumpanja rashladnog sredstva kroz sistem.

Savjeti za čuvanje hrane u uređaju

- Termički obrađeno meso/ribu treba uvijek odlagati na polici iznad sirovog mesa/ribe kako bi se izbjeglo širenje bakterija. Sirovo meso/ribu držite u posudi koja je dovoljno velika da zadrži sokove mesa i adekvatno je poklopite. Posudu stavite na najnižu policu.
- Ostavite razmak između hrane kako biste omogućili cirkuliranje zraka unutar uređaja. Uvjerite se da su svi dijelovi uređaja rashlađeni.
- Kako biste sprečili poprimanje mirisa i sušenje, hranu posebno pakirajte ili poklapajte. Voće i povrće nije potrebno uvijati.
- Hranu koja je prethodno termički obrađena uvijek ostavite da se ohladi prije nego što je stavite u uređaj. Na ovaj način potpomažete održavanju unutrašnje temperature uređaja.
- Kako biste sprečili rasipanje hladnog zraka iz uređaja, pokušajte ograničiti broj otvaranja vrata uređaja. Preporučujemo Vam da vrata otvarate samo kada je potrebno staviti hranu u uređaj ili je izvaditi iz njega.

Zamjena žarulje

Zamjenu žarulje treba obaviti stručne osobe.

- Ne upotrebljavajte sapun, deterdžent, prah za čišćenje, sredstva za čišćenje u spreju, itd., jer pomenuta sredstva mogu dovesti do stvaranja neprijatnih mirisa u unutrašnjosti frižidera ili kontaminiranja hrane.
- Policu za flaše, police i fioke očistite pomoću mekane krpe navlažene vodom sa sapunicom ili razblaženim deterdžentom. Osušite mekanom krpom ili ostavite da se prirodno osuši.
- Spoljašnje površine frižidera prebrišite mekanom krpom navlaženom vodom sa sapunicom, deterdžentom, itd., a zatim osušite krpom.
- Ne upotrebljavajte tvrde četke, čelične žice za čišćenje, žičane četke, abrazivna sredstva (poput pasta za zube), organske rastvarače (poput alkohola, acetona, ulja banane itd.), ključalu vodu ili kisela ili alkalna sredstva, koja mogu da oštete površine i unutrašnjost frižidera. Ključala voda i organski rastvarači, poput benzina, mogu da deformišu ili oštete dijelove od plastike.
- Tokom čišćenja, uređaj nemojte direktno ispirati vodom ili drugim tečnostima, kako biste izbjegli nastanak kratkog spoja ili oštećenja na materijalima koji pružaju električnu izolaciju nakon potapanja.

Savjeti za čišćenje

Na vanjskoj strani uređaja može doći do formiranja kondenzacije. Razlog tome može biti promjena vrijednosti sobne temperature. Mokre dijelove obrišite. Ukoliko se navedeni problem nastavi ponavljat, za pomoć se obratite kvalificiranom tehničaru.

ODRŽAVANJE

Zamjena unutarnje rasvjete

Zamjenu žarulje treba izvršiti kvalificirane osobe.

Oprez prilikom rukovanja / prenošenja Vašeg uređaja

Prilikom prenošenja, uređaj pridržavajte oko bočnih strana ili za osnovu. Uređaj ni pod kojim uvjetima ne treba podizati držeći ga za ivice gornje površine.

Servisiranje

Servisiranje uređaja treba da obavi ovlašteno tehničko lice,

koje će tom prilikom koristiti isključivo originalne rezervne dijelove. Popravak uređaja ni pod kojim uvjetima ne pokušavajte obaviti sami. Popravke koje obavljaju osobe bez iskustva za rezultat mogu imati povređivanje ili ozbiljan kvar. Obratite se kvalificiranom tehničkom licu.

Isključivanje uređaja tokom dužeg vremenskog perioda

Kada uređaj ne upotrebljavate tokom dužeg vremenskog perioda, isključite ga iz struje, ispraznite ga od hrane i očistite, a vrata djelomično otvorite kako biste spriječili stvaranje neugodnih mirisa.

OTKLANJANJE PROBLEMA

Korisnik može sam riješiti jednostavne probleme navedene dolje u tekstu. Ukoliko probleme ne uspijete riješiti, pozovite sektor za usluge održavanja.

Uređaj ne radi	Provjerite da li je zamrzivač uključen u struju; Nizak napon; Nestanak struje ili iskakanje osigurača
Mirisi	Hranu koja odaje jače mirise treba dobro omotati; Provjerite da li se hrana pokvarila; Provjerite da li je potrebno očistiti unutrašnjost uređaja.
Dugotrajan rad kompresora	Normalno je da frižider duže radi tokom ljeta, kada je vanjska temperatura viša; Ne stavljajte u zamrzivač previše hrane odjednom; Ne stavljajte hranu u uređaj dok se prethodno ne ohladi; Često otvaranje vrata frižidera.
Lampica ne svjetli	Provjerite da li je frižider priključen na struju, Provjerite da li je lampica oštećena.
Vrata frižidera se ne mogu zatvoriti na odgovarajući način.	Ambalaža sa hranom blokira vrata zamrzivača; Prevelika količina hrane; Frižider je nagnut.
Glasni zvuci	Provjerite da li je hrana iznivelirana i da li je frižider uravnotežen; Provjerite da li su dijelovi frižidera postavljeni na odgovarajući način.

Savjeti

- Tokom rada, naročito u ljetnim mjesecima, kućište frižidera može emitirati toplinu koju generira zračenje kondenzatora, što je uobičajna pojava
- Kondenzacija: kondenz će se formirati na vanjskim površinama i zaptivkama na vratima zamrzivača pri uvjetima

visokog stupnja vlage u prostoriji. U pitanju je normalni fenomen, a kondenz se može obrisati suhom krpom.

- Zujanje: U toku rada, kompresor će zujati, posebno prilikom uključivanja ili isključivanja.

SAVJETI ZA UŠTEDU ENERGIJE

Energetska upozorenja

1. Uređaji za rashlađivanje mogu postati nepouzdaniji tokom rada (moguće otapanje sadržaja ili razvijanje previsoke temperature u odjeljku za smrznutu hranu) ukoliko se tokom dužeg vremenskog perioda drže na temperaturama nižim od vrijednosti radnog temperaturnog opsega navedenog za dati uređaj za rashlađivanje.
2. Gazirana pića ne treba držati u odjeljcima ili komorama za zamrzavanje ili u odjeljcima ili komorama sa niskim temperaturnim vrijednostima, dok određene proizvode, poput leda, ne treba konzumirati kada su pretjerano hladni;

3. Neophodno je povesti računa da se prilikom čuvanja bilo kog tipa hrane koja se drži u zamrzivaču ili odjeljcima ili komorama za zamrzavanje hrane, a posebno komercijalne brzo smrznute hrane, ne prekorači rok trajanja preporučen od strane proizvođača hrane.
4. Neophodno je preduzeti mjere predostrožnosti radi sprječavanja nepotrebnog rasta temperature unutar smrznute hrane prilikom otapanja uređaja za rashlađivanje, poput uvijanja smrznute hrane u nekoliko slojeva novinske hartije.
5. Porast temperature unutar smrznute hrane tokom ručnog otapanja, održavanja ili čišćenja može da skрати njen rok trajanja.

ODLAGANJE

Stari uređaji i dalje imaju određenu preostalu vrijednost. Primjenom metode zbrinjavanja za zaštitu okoliša moći ćete ponovo koristiti vrijedne sirovine. Rashladno sredstvo koje se upotrebljava u okviru Vašeg uređaja i izolacijski materijali zahtijevaju primjenu posebnih procedura za odlaganje. Prije nego što ga odložite, uvjerite se da nijedna cijev na zadnjem dijelu uređaja nije oštećena. Ažurirane podatke o opcijama za odlaganje Vašeg starog uređaja i ambalaže novog uređaja možete dobiti u službenim prostorijama Vaših lokalnih vlasti.

Prilikom odlaganja starog uređaja, slomite sve stare brave ili kvake i uklonite vrata kao mjeru predostrožnosti.

Pravilno odlaganje ovog proizvoda



Pravilno odlaganje ovog proizvoda

Ova oznaka ukazuje da u EU ovaj proizvod ne treba odlagati zajedno sa ostalim otpadom iz kućanstava. Kako biste spriječili potencijalnu štetu po životnu sredinu ili zdravlje ljudi nastalu nekontroliranim odlaganjem otpada, odgovorno ga reciklirajte kako biste promovirali održivu ponovnu upotrebu materijalnih resursa. Molimo Vas da svoj polovni uređaj vratite putem sistema za vraćanje i prikupljanje otpada ili da kontaktirate prodavaonicu u kojoj ste proizvod kupili. Ovim putem se proizvod može reciklirati na siguran način po životnu sredinu.

Za dodatne informacije, kontaktirajte svoje lokalne vlasti ili prodavaonicu u kojoj ste proizvod kupili.

Tabela 1. Klimatske klase

Klasa	Simbol	Raspon sobne temperature °C
Prošireno umjerena	SN	+10 to +32
Umjerena	N	+ 16 to +32
Suptropska	ST	+16 to + 38
Tropska	T	+ 16 to + 43

Prošireno umjerena: „ovaj uređaj za rashlađivanje je namjenjen za upotrebu pri ambijentalnim temperaturama koje se kreću u opsegu od 10°C do 32°C“;

Umjerena: „ovaj uređaj za rashlađivanje je namjenjen za upotrebu pri ambijentalnim temperaturama koje se kreću u opsegu od 16°C do 32°C“;

Suptropska: „ovaj uređaj za rashlađivanje je namjenjen za upotrebu pri ambijentalnim temperaturama koje se kreću u opsegu od 16°C do 38°C“;

Tropska: „ovaj uređaj za rashlađivanje je namjenjen za upotrebu pri ambijentalnim temperaturama koje se kreću u opsegu od 16°C do 43°C“;

БЕЗБЕДНОСНИ ПРЕДУПРЕДУВАЊА



Предупредување: ризик од пожар / апаливи материјали

- ОВОЈ уред е наменет за употреба во домаќинството и слични средини како што се куќи за вработените во продавниците, канцелариите и други работни средини, земјоделски домаќинства и хотели, мотели и други објекти од станбен тип, каде што им се ставаат на користење на клиентите; објекти кои нудат услуга ноќевање со доручек; кетеринг и во слични не продажни намени.
 - НЕ Е предвидено овој уред да го користат лица (вклучително и деца) со намалени физички, сетилни или ментални способности, или недостаток на искуство и знаење, освен доколку се под контрола на лице одговорно за нивната безбедност или доколку споменатото лице им дало објаснување во врска со употреба на уредот.
 - Потребно е децата да ги надгледувате за да бидете сигурни дека нема да си играат со уредот.
 - ДОКОЛКУ кабелот за напојување е оштетен, потребно е неговата замена да ја направи продавачот, овластениот сервисер или лице со слични квалификации за да се избегне појава на опасност.
 - НЕМОЈТЕ да чувате експлозивни супстанции во овој уред, како боца со аеросол со запалив потисен гас.
 - УРЕДОТ потребно е да го исклучите од штекерот после употреба, а и пред неговото одржување на корисникот.
 - ПРЕДУПРЕДУВАЊЕ: Водете сметка отворите за вентилација да не се блокирани внатре во инсталациониот дел или во инсталационата структура на уредот.
 - ПРЕДУПРЕДУВАЊЕ: Не употребувајте механички средства или други постапки за убрзување на процесот на топење, доколку не се препорачани од страна на производителот.
 - ПРЕДУПРЕДУВАЊЕ: Не ја оштетувајте инсталацијата за разладно средство.
 - ПРЕДУПРЕДУВАЊЕ: Не употребувајте електрични уреди внатре во одделот за чување храна на овој уред, освен доколку станува збор за типови на уреди кои се препорачани од страна на производителот.
 - ПРЕДУПРЕДУВАЊЕ: Фрижидерот чувајте го во согласност со локалните прописи бидејќи за неговата работа се користат запалив експлозивен гас и разладно средство.
 - ПРЕДУПРЕДУВАЊЕ: При поставување на уредот проверете дали кабелот за напојување е притиснат или оштетен.
 - ПРЕДУПРЕДУВАЊЕ: Немојте да поставувате продолжни кабли со повеќе штекери или преносни акумулатори зад уредот.
 - Не употребувајте продолжни кабли или адаптери без уземјување (со два крака).
 - ОПАСНОСТ: Ризик од затварање деца внатре во уредот. Пред да го отстраните вашиот стар фрижидер или замрзнувач:
 - Извадете ја вратата.
 - Оставете ги полиците внатре во уредот за да неможат децата лесно да влезат внатре.
 - ПРЕД да започнете со инсталација на некој додатен елемент, фрижидерот потребно е да се исклучи од изворот со напојување.
 - РАЗЛАДНОТО средство и средството за пенење циклопентан, кои се употребуваат во фрижидерот се запаливи.
 - Затоа, при отстранување на фрижидерот, чувајте го подалеку од извори на пламен, и наместо да го отстраните со горење, предадете го на квалификувана компанија за рециклирање со соодветни квалификации за да се оневозможи негово повторно користење, така на тој начин ќе ги спречите штетните ефекти по животната средина или други опасности.
 - ЗА EN стандард: Овој уред може да го употребуваат деца на возраст од 8 и повеќе години и лица со намалени физичко-сензорни или ментални способности или со недостаток на искуство и знаење доколку се надгледувани или се упатени за безбедно користење на уредот и ја сфаќаат опасноста од неговата употреба. Децата не смеат да си играат со уредот. Децата не смеат да вршат чистење и одржување на уредот без надзор. Деца на возраст од 3 до 8 години можат да ставаат храна или да ја земаат од уредот за ладење.
 - Клучевите од вратата или поклопецот од бравата мора да се држат подалеку од дофат на деца и не смеат да бидат во близина на уредот, за да не се заклучат децата од внатре.
 - ЗА да избегнете загадување на храната, придржувајте се на следните упатства:
 - Долго држење на вратата на уредот отворена може да доведе до значително покачување на температурата во внатрешните делови на уредот.
 - Редовно чистење на површините кои може да дојдат во допир со храната, како и пристапните делови на одводниот систем.
 - Исчистете ги садовите за вода доколку не сте ги користеле во временски период од 48 часа; во колку во период од 5 дена не сте земале вода од уредот, исплакнете го системот за проток на вода поврзан со доводот на вода (забелешка 1)
 - Чувајте сирово месо и риба во фрижидерот во соодветни садови, за да не дојде во контакт со друга храна или како не би капело врз останатата храна.
 - Прегради замрзната храна обележани со две ѕвездички **☆☆** тие се погодни за чување на претходно замрзната храна, за држење или правење сладолед и за правење коцки мраз. (белешка 2)
 - Делови обележани со една **☆**, две **☆☆**, три **☆☆☆** или четири ѕвездички **☆☆☆☆** не се погодни за замрзнување на свежа храна. (белешка 3)
 - Ако уредот за ладење треба да биде празен подолг временски период, исклучете го, одмрзнете го, исчистете го, а потоа оставете ја вратата на апаратот отворена за да спречи мувла да расте во внатрешноста на апаратот.
 - За уреди кои немаат оддел обележан со четири ѕвезди: овој уред за ладење не е погоден за замрзнување храна. (белешка 4)
- Белешки 1, 2, 3, 4: Проверете дали дадените информации се применливи на видовите делови на вашиот производ.
- ЗА самостојни уреди: овој уред за ладење не е наменет да се користи како вграден уред.
 - Предвидено е каква било замена или одржување на ЛЕД-ламби да ја спроведува производителот, неговиот овластен сервисер или лице со слични квалификации. Светилката спаѓа на енергетската ефикасност од класа G.

ИНСТАЛАЦИЈА

Локација

При изборот на локација за Вашиот уред, уверете се дека подлогата е рамна и цврста, како и дека проветрувањето во просторијата е добро. Избегнувајте поставување на уредот во близина на извори на топлина, на пр., шпорети, бојлери или радијатори. Исто така, избегнувајте директно изложување на сонце, бидејќи тоа може да доведе до зголемена потрошувачка на електрична енергија. Исклучително ниските собни температури исто така можат

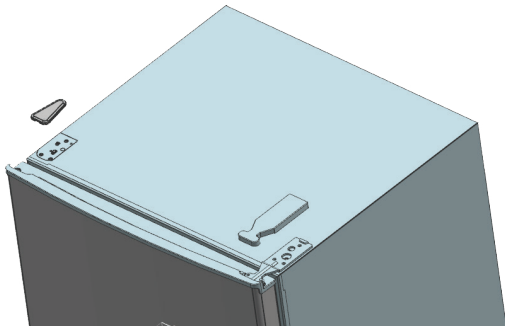
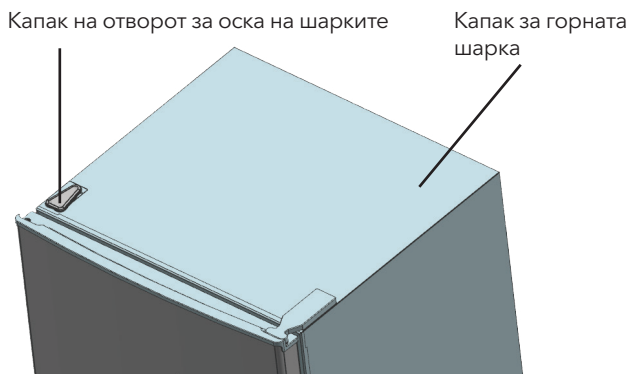
да предизвикаат лошо работење на уредот. Овој уред не е наменет за употреба во гаражи, ниту за поставување на отворено. Не го прекривајте уредот.

При поставувањето, проверете дали од обете страни на уредот е оставено растојание со широчина од 10 cm, како и 10 cm од задната и 30 cm од горната површина на уредот. На овој начин ќе овозможите циркулирање на ладниот воздух околу винските витрини и подобрување на ефикасноста на постапката за ладење.

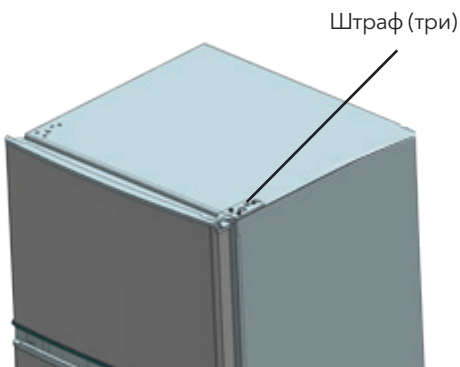
Промена на насоката на отворање на вратата

Потребен алат: Крстест одвртувач / рамен одвртувач / шестоаголен клуч

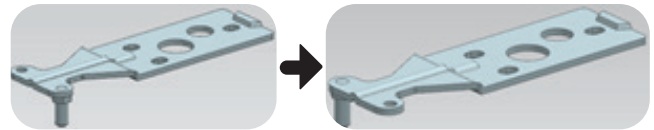
1. Отстранете го капакот за оската на горните шарки.



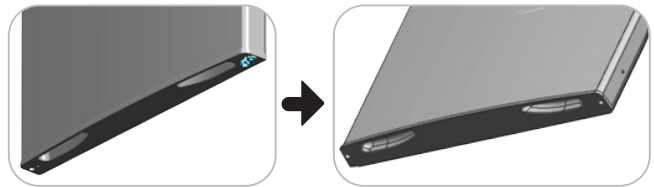
2. Со помош на крстест одвртувач, отстранете ги шрафовите со кои е прицврстена горната шарка.



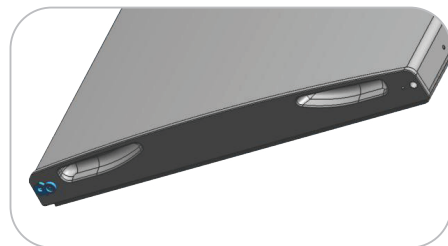
3. Преместете ги горната шарка и горниот граничник на вратата, како и носачот на врата на другата страна. А. Отстранете ја навртката со носачот. Отстранете ја подложката, а потоа преместете ја оската на другата страна и прицврстете ја.



В. Отстранете го граничникот на вратата.

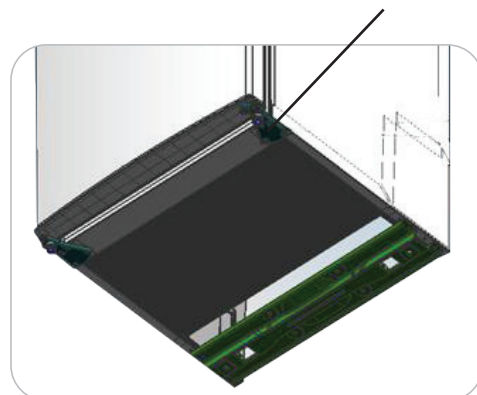


С. Ве молиме да го подготвите другиот граничник и да го прицврстите за вратата со шрафови.

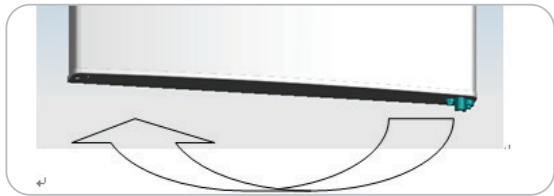


4. Отстранете ги шрафовите со кои е прицврстена долната шарка со помош на крстест одвртувач.

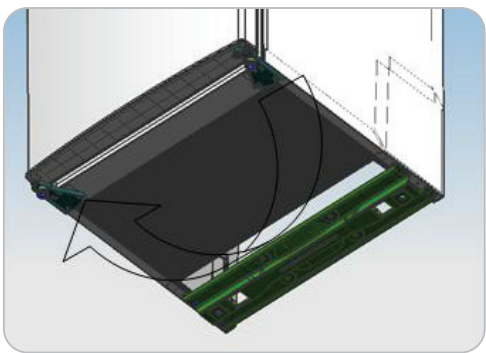
Штрафови со кои е прицврстена долната шарка



5. Променете ја страната на долниот носач на вратата и граничникот.



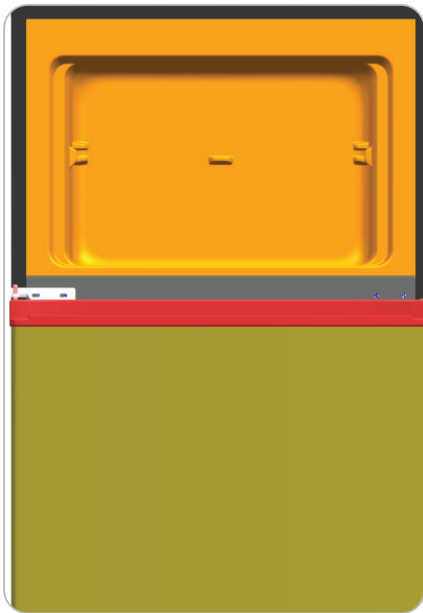
6. Преместете ја долната шарка на другата страна, а потоа прицврстете ја со шrafoви.



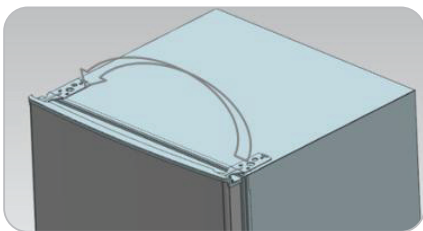
7. Преместете ја средишната шарка.



8. Поставете ја долната врата во соодветна позиција и прицврстете ја средишната шарка.



9. Преместете ја горната шарка.

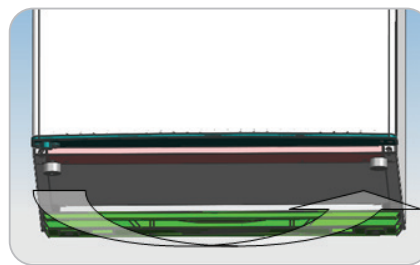


10. Поставете ја горната врата во соодветна позиција, прицврстете ги горната шарка и капакот.



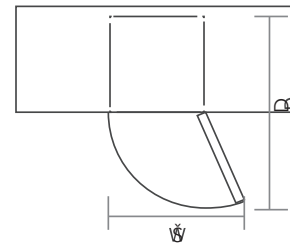
11. Поставете ги четирите преклопки за шrafoви и двете резиња на соодветно место.
 - Уверете се дека уредот е исклучен од струја и испразнет.
 - Двете ногарки за нивелирање поставете ги на највисока позиција.
 - Ви препорачуваме ова да не го правите сами.

12. Префрлете го нивелаторот на другата страна и поставете го така што ќе бидете сигурни дека уредот е изнивелиран.



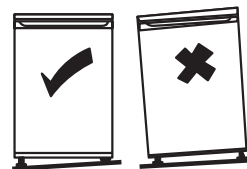
Потребен простор за вратата

Потребно е да се остави доволно простор за потполно отворање на вратата на уредот на начин прикажан на сликата.
 $\text{S} \times \text{D} \geq 902 \times 1052 \text{ mm}$



Нивелирање на уредот

Се врши со прилагодување на двете ногарки за нивелирање, кои се наоѓаат на предната страна на уредот. Доколку уредот не е изнивелиран, вратата и магнетната заптивка нема да бидат правилно споени. Пред употреба проверете дали ногарките ја допираат подлогата. Гледано одозгора, вртете во насока на движење на стрелките на часовникот или во насока спротивна од движењето на стрелките на часовникот заради отпуштање или затегнување.



Чистење пред употреба

Внатрешноста на уредот избришете ја со слаб раствор од сода бикарбона. Потоа измијте ја со топла вода со помош на сунѓер или крпа што може да се исцеди. Полиците и преградата за салати измијте ги со топла вода со сапуница и целосно исушете ги пред повторно да ги поставите во уредот. Надворешниот дел на уредот исчистете го со влажна крпа. Доколку Ви се потребни повеќе информации, погледнете го одделот Чистење.

Пред употреба на уредот

Како би ја осигурале безбедноста при употреба, во никој случај не го оштетувајте кабелот за напојување и не го употребувајте уредот доколку кабелот е оштетен или приклучокот е истрошен.

За да спречите оштетувања на производот или појава на пожар, во фрижидерот не ставајте запаливи, експлозивни и испарувачки предмети, ниту предмети кои лесно кородираат.

За да избегнете појава на пожар, не ставајте запаливи предмети во близина на фрижидерот.

Овој производ е фрижидер наменет за употреба во домаќинството и е погоден исклучиво за чување на храна. Според националните стандарди, фрижидерите наменети за употреба во домаќинството не смеат да се користат во никакви други цели, какви што се складирање на крв, лекови или биолошки производи.

Во замрзнувачот не ставајте предмети какви што се течности во шише или во затворени садови, од типот на флаширани пива или пијалоци, како би избегнале нивно пукање и други штети.

Пред да ставите каква било храна во уредот, вклучете го и почекајте 24 часа, како би биле сигурни дека работи на соодветен начин и како би му оставиле доволно време за температурата да се спушти на соодветните вредности. Уредот не треба да се преполнува.



• Пред поврзување во струја

Морате да проверите дали има штекер кој е компатибилен со приклучокот доставен со уредот.

• Пред да го вклучите уредот!

Уредот не го вклучувајте барем два часа по неговото пренесување.

Внатрешни пропратни елементи

Вашиот уред содржи различни стаклени или пластични полици за складирање - комбинациите се разликуваат во зависност од моделот.

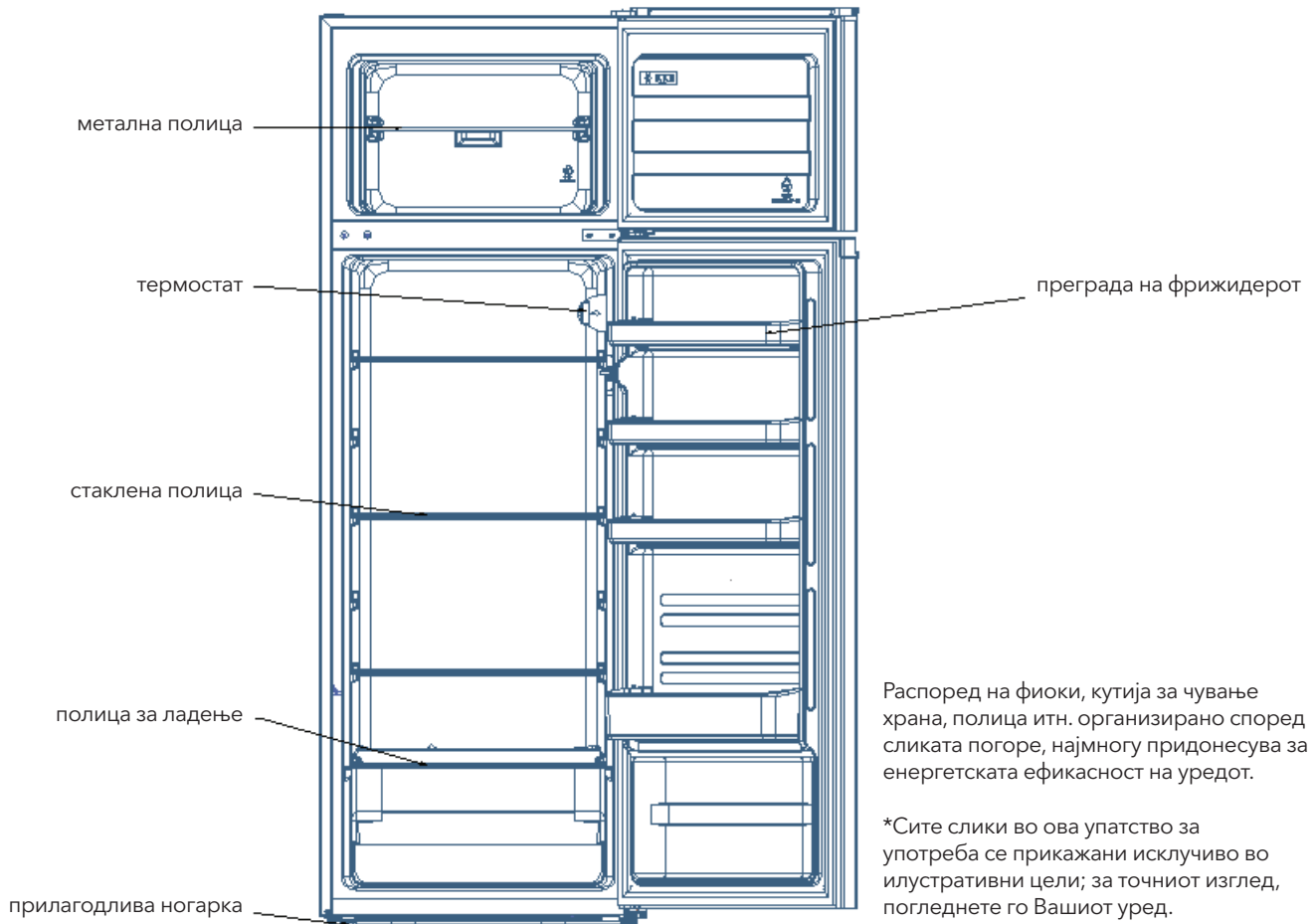
Една од стаклените полици за складирање, која ја зазема комплетната површина на уредот, треба секогаш со лизгање да ја вметнете на најниското ниво, над преградата за овошје и зеленчук, и да ја оставите на тоа место. Ова направете го така што ќе ја повлечете полицата за складирање кон напред, до положба во која е можно нејзино ротирање кон горе или долу и отстранување.

За да ја поставите полицата на некоја друга висина, следете ги горенаведените чекори, но во спротивен редослед.



Како би го искористиме максимално просторот во преградата за чување на свежа храна и во преградата за чување на замрзната храна, можете да отстраните една или повеќе полици и фиоки од уредот, во зависност од Вашите секојдневни потреби.

ПРИКАЗ НА ПРОИЗВОДОТ



РАБОТЕЊЕ НА УРЕДОТ

Вклучување на уредот

- Копчето за избор на температура се наоѓа на десниот ѕид, во внатрешноста на фрижидерот. Поставување на „Исклучено“ (Off): Уредот е исклучен. Поставување на „Min“: Помала јачина на ладење. Поставување на „Med“: Нормално работење (соодветно во повеќето ситуации). Поставување на „Max“: Најсилно ладење.
- При високи собни температури, на пр. во текот на жешките летни денови, може да биде потребно термостатот да се постави на најсилно ладење (позиција „Max“). Ова може да доведе до непрекинато работење на компресорот со цел одржување на ниска температура во уредот.
- При иницијалното поставување на уредот, копчето на термостатот поставете го на „Med“. Пред да започнете со внесување храна, оставете фрижидерот потполно да се олади. Најдобро е да се почекаат 24 часа пред ставањето храна во фрижидерот. Со копчето на термостатот се контролира температурата.
- Доколку контролното копче на термостатот е поставено на ИСКЛУЧЕНО (OFF), фрижидерот нема да работи.

Бучава во внатрешноста на уредот!

Можеби ќе забележите дека Вашиот уред прави одредени необични звуци. Повеќето споменати звуци се нормални, но потребно е да бидете свесни за нив!

Звучите настануваат при циркулирање на течното средство за ладење во рамки на системот за ладење. Ова

е поизразена појава по воведувањето на гасови кои не содржат хлорофлуоројаглериоди (ХФЈ). Ова не претставува грешка и нема да влијае врз работењето на Вашиот уред. Станува збор за звук од работењето на моторот на компресорот при пумпање на средството за ладење низ системот.

Совети за чување на храна во уредот

- Термички обработеното месо/риба треба секогаш да се складира на полицата над сировото месо/риба како би се избегнало расејување на бактерии. Сировото месо/риба држете го во сад кој е доволно голем за да ги задржи соковите од месото. Садот соодветно поклопете го и ставете го на најниската полица.
- Оставете растојание помеѓу храната како би овозможиле циркулирање на воздухот во уредот. Уверете се дека сите делови на уредот се разладени.
- Како би спречиле пренесување на мириси и сушење, храната засебно пакувајте ја или поклопувајте ја. Овошјето и зеленчукот не е потребно да се завиткува.
- Храната која е претходно термички обработена секогаш оставете ја да се олади пред да ја внесете во уредот. На тој начин го помагате одржувањето на внатрешната температура на уредот.
- Како би го спречиле губењето на ладен воздух од уредот, обидете се да го ограничите бројот на отворања на вратата. Ви препорачуваме вратата да ја отворате само кога е потребно да ставите храна во уредот или да ја извадите од него.

Замена на сијалици

Замената на сијалиците треба да ја изврши стручно лице.

ЧИСТЕЊЕ

Одмрзнување

Автоматско одмрзнување за фрижидер

Чистење на внатрешноста и надворешноста на единицата

- За подобрување на ефектот на ладење и заштеда на енергија, редовно чистете го правот зад фрижидерот и подлогата.
- Проверувајте ја заптивката на вратата редовно за да бидете сигурни дека нема нечистотија на неа. Исчистете го заптивката на вратата со мека крпа навлажнета со вода за сапуница или разреден детергент.
- За да избегнете непријатни мириси, редовно чистете ја внатрешноста на фрижидерот.
- Пред да започнете со чистење на внатрешноста на ладилникот, извадете го од струја, извадете ја целата храна, пијалоци, полици, фиоки итн.
- За чистење на внатрешноста на ладилникот, користете мека крпа или сунѓер со две лажици сода бикарбона и четвртина литар топла вода. Потоа исплакнете со вода и избришете го суво. По чистењето, отворете ја вратата и оставете ја да се исуши природно пред да го вклучите апаратот.
- За чистење на тешко достапните делови од ладилникот (како што се тесни отвори, отвори или агли), препорачливо е редовно да се бришете со мека крпа, мека четка, итн., Доколку е потребно во комбинација со некои помошни алатки (како што се тенки стапчиња), со што се спречува натрупување загадувачи или бактерии.

- Не користете сапун, детергент, прашок за чистење, средства за чистење спреј, итн., Бидејќи овие средства можат да создадат непријатни мириси во фрижидерот или да ја загадат храната.
- Исчистете ја решетката за шишиња, полиците и фиоките со мека крпа навлажнета со вода за сапуница или разреден детергент. Исушете со мека крпа или оставете да се исуши природно.
- Избришете го надворешниот дел од фрижидерот со мека крпа навлажнета со сапун, детергент итн., А потоа исушете ја со крпа.
- Не користете тврди четки, жици за чистење на челик, жични четки, абразиви (како паста за заби), органски растворувачи (како што се алкохол, ацетон, масло од банана, итн.). Врела вода или кисели или алкални агенси, што може да ги оштети површините и внатрешноста на фрижидерот. Врела вода и органски растворувачи, како што е бензен, може да ги деформираат или оштетат пластичните делови.
- За време на чистењето, не го плакнете апаратот директно со вода или други течности како би избегнале краток спој или оштетување на материјалите што обезбедуваат електрична изолација по потопувањето.

Совети за чистење

На надворешноста од уредот може да дојде до формирање на кондензат. Причина за тоа може да биде промената на вредностите на собната температура. Избришете ги влажните делови. Доколку проблемот продолжи, обратете се за помош кај квалификувано техничко лице.

ОДРЖУВАЊЕ

Замена на внатрешното осветлување
Замената на сијалиците треба да ја изврши стручно лице.

Внимателност при ракување / пренесување на Вашиот уред

При пренесување, уредот придржувајте го за страничните делови или за основата. Во никој случај уредот не треба да се подигнува држејќи го за краевите на горната површина.

Сервисирање

Сервисирањето на уредот треба да го изврши овластено

техничко лице, кое притоа ќе користи исклучиво оригинални резервни делови. Поправките на уредот во никој случај не ги вршете сами. Поправките кои ги врши лице без искуство може да резултираат со повреди или сериозни оштетувања. Обратете се кај квалификувано техничко лице.

Исклучување на уредот во текот на подолги временски периоди

Кога уредот не го употребувате во текот на подолг временски период, исклучете го од струја, испразнете го и исчистете го, а вратата делумно отворете ја како би спречиле создавање на непријатна миризма.

ОТСТРАНУВАЊЕ НА ПРОБЛЕМИ

Корисникот може сам да ги реши едноставните проблеми наведени подолу во текстот. Доколку не успеете да ги решите проблемите, повикајте го секторот за услуги на одржување.

Уредот на работи	Проверете дали замрзнувачот е вклучен во струја; Низок напон; Недостаток на струја или искочнување на осигурувачот.
Миризма	Храната која испушта јаки мириси треба добро да се завитка; Проверете дали храната е расипана; Проверете дали е потребно да се исчисти внатрешноста на уредот.
Долготрајно работење на компресорот	Нормално е фрижидерот да работи подолго во текот на летото, кога надворешната температура е повисока; Не ставајте премногу храна одеднаш во замрзнувачот; Не ставајте храна додека претходно не се олади; Често отворање на вратата на фрижидерот.
Ламбата не свети	Проверете дали фрижидерот е приклучен на струја; Проверете дали ламбата е оштетена.
Вратата на фрижидерот не се затвора на соодветен начин	Амбалажата за храна ја блокира вратата на замрзнувачот; Преголема количина на храна; Фрижидерот е наведнат.
Гласни звуци	Проверете дали храната е изнивелирана и дали фрижидерот е урамнотежен; Проверете дали деловите се поставени на соодветен начин.

Совети

- При работењето, особено во летните месеци, кукиштето на фрижидерот може да емитува топлина настаната од зрачењето на кондензаторот, што е вообичаена појава.
- Кондензација: кондензатот ќе се формира на надворешните површини и на заптивките на вратата

- на замрзнувачот при висока влажност во просторијата. Станува збор за нормална појава, а кондензатот може да се избрише со сува крпа.
- Зуење: Во текот на работењето, компресорот ќе зуми, особено при вклучување и исклучување.

ИНФОРМАЦИИ ЗА ЗАШТЕДА НА ЕНЕРГИЈА

Предупредувања за енергија


1. Фрижидерите може да станат несигурни за време на работата (можно одмрзнување на содржината или развој на превисока температура во одделот за замрзната храна) ако се чуваат подолг временски период на температури под работниот опсег на температурата наведени за даден ладилен апарат.
2. Газирани пијалоци не треба да се чуваат во оддели или комори за замрзнување или во оддели или комори со ниски температурни вредности, додека одредени производи, како што е мразот, не треба да се консумираат кога се премногу ладни;
3. Потребно е да се внимава при складирање на каков било вид на храна што се чува во замрзнувач или оддели или комори за замрзнување на храна, а особено комерцијална храна за брза замрзнување, рокот на траење препорачан од производителот на храна да не биде надминат.

4. Треба да се преземат мерки на претпазливост за да се спречи непотребно покачување на температурата во замрзната храна при одмрзнување на фрижидерите, како што е завиткување на замрзната храна во неколку слоеви на хартија од весник.
5. Зголемувањето на температурите во замрзната храна за време на рачно одмрзнување, одржување или чистење може да го скрати нејзиниот рок на траење.

ОДЛОЖУВАЊЕ

Старите уреди и натаму имаат одредена резидуална вредност. Со примена на начините на одложување со кои се штити животната средина ќе го овозможите повторното користење и употреба на вредните суровини. Средството за ладење и изолационите материјали во Вашиот уред подразбираат посебни процедури за одложување. Пред да го одложите, уверете се дека ниедна цевка на задниот дел од уредот не е оштетена. Ажурирани податоци за одложување на Вашиот стар уред може да добиете во канцелариите на Вашите локални власти.

При одложување на стариот уред, скршете ги сите стари брави или кваки и отстранете ја вратата како мерка на претпазливост.

Правилно одложување на овој производ	
	<p>Правилно одложување на овој производ.</p> <p>Оваа ознака укажува дека во ЕУ овој производ не треба да се одложува заедно со останатиот отпад од домаќинството. Како би спречиле потенцијална штета по животната средина или по здравјето на луѓето настаната со неконтролирано одложување на отпадот, одговорно рециклирајте го со што би ја промовирале одржливата повторна употреба на материјалните ресурси. Ве молиме својот половен уред да го вратите по пат на системот за враќање и собирање на отпад или со контактирање на продавницата во која сте го купиле истиот. Така, производот може да се рециклира на безбеден начин по животната средина.</p>

За дополнителни информации, контактирајте ги Вашите локални власти или продавницата од каде сте го купиле производот.

Табела 1 Климатски класи

Класа	Симбол	Опсег на температурата на околината °C
Проширено умерено	SN	+ 10 do + 32
Умерена	N	+ 16 do +32
Суптропска	ST	+ 16 do + 38
Тропска	T	+ 16 do + 43

Проширена умереност: „овој уред за ладење е наменет за употреба на температури на околината од 10 °C до 32 °C“;

Умерено: „оваа ладилна единица е наменета за употреба на температури на околината од 16 °C до 32 °C“;

Суптропски: „оваа ладилна единица е наменета за употреба на температури на околината од 16 °C до 38 °C“;

Тропски: „оваа ладилна единица е наменета за употреба на температури на околината од 16 °C до 43 °C“;

AVERTISMENTE DE SIGURANȚĂ



ATENȚIE: risc de incendiu / materiale inflamabile

- Acest aparat este destinat să fie utilizat în aplicații de uz casnic și similare, cum ar fi spațiile de bucătărie personalului din magazine, birouri și alte medii de lucru; case ferme și de către clienți în hoteluri, moteluri, rezidențiale; medii de tip pensiune și mic dejun; catering și aplicații similare fără vânzare cu amănuntul.
 - Acest aparat nu este destinat utilizării de către persoane (inclusiv copii) cu capacități fizice, senzoriale sau mentale reduse sau cu lipsă de experiență și cunoștințe, cu excepția cazului în care li s-a dat supravegherea sau instrucțiunile privind utilizarea aparatului de către o persoană responsabilă pentru siguranța lor.
 - Copiii trebuie supravegheați pentru a se asigura că nu se joacă cu aparatul.
 - Dacă cablul de alimentare este deteriorat, acesta trebuie înlocuit de producător, agentul de service sau de persoane calificate în mod similar.
 - Nu depozitați în acest aparat substanțe explozive, cum ar fi cutii de aerosoli cu combustibil inflamabil.
 - Aparatul trebuie deconectat de la priză după utilizare și înainte de efectuarea lucrărilor de întreținere ale utilizatorului.
 - AVERTISMENT: Păstrați deschiderile de ventilație, în carcasa aparatului sau în structura încorporată, ferite de obstacole.
 - AVERTISMENT: Nu utilizați dispozitive mecanice sau alte mijloace pentru a accelera procesul de dezghețare, altele decât cele recomandate de producător.
 - AVERTISMENT: Nu deteriorați circuitul refrigerantului.
 - AVERTISMENT: Nu utilizați aparate electrice în interiorul compartimentelor de depozitare a alimentelor ale aparatului, decât dacă sunt de tipul recomandat de producător.
 - AVERTISMENT: Vă rugăm să abandonați frigiderul în conformitate cu regulile locale, pentru a utiliza gazul de suflare inflamabil și agentul frigorific.
 - AVERTISMENT: Când poziționați aparatul, asigurați-vă că cablul de alimentare nu este prins sau deteriorat.
 - AVERTISMENT: Nu localizați mai multe prize portabile sau surse de alimentare portabile în partea din spate a aparatului.
 - NU utilizați prelungitoare sau adaptoare.
 - Pericol: Risc de blocare a copiilor. Înainte de a arunca frigiderul sau congelatorul vechi
 - Scoateți ușile.
 - Lăsați rafturile la locul lor, astfel încât copiii să nu se urce ușor în interior.
 - FRIGIDERUL trebuie deconectat de la sursa de alimentare electrică înainte de a încerca instalarea accesoriului.
 - REFRIGERANTUL și materialul spumant ciclopentan utilizat pentru aparat sunt inflamabile. Prin urmare, atunci când aparatul este casat, acesta va fi ținut departe de orice sursă de incendiu și va fi recuperat de o companie specială de recuperare cu calificare corespunzătoare, altul decât să fie eliminat prin ardere, astfel încât să se prevină deteriorarea mediului sau orice alt prejudiciu.
 - Standard EN: Acest aparat poate fi utilizat de copii cu vârsta de la 8 ani și peste și de persoane cu capacități fizice senzoriale sau mentale reduse sau lipsă de experiență și cunoștințe, dacă li s-a oferit supraveghere sau instrucțiuni cu privire la utilizarea aparatului într-un mod sigur și înțeleg pericolele implicate. Copiii nu trebuie să se joace cu aparatul. Curățarea și întreținerea aparatului nu trebuie făcute de copii fără supraveghere. Copiii cu vârste cuprinse între 3 și 8 ani li se permite să încarce și să descarce aparate frigorifice.
 - Necesitatea ca, pentru ușile sau capacele prevăzute cu încuietori și chei, cheile să nu fie păstrate la îndemâna copiilor și nu în vecinătatea aparatului frigorific, pentru a preveni blocarea copiilor în interior.
 - Pentru a evita contaminarea alimentelor, vă rugăm să respectați următoarele instrucțiuni:
 - Deschiderea ușii pentru perioade lungi de timp poate provoca o creștere semnificativă a temperaturii în compartimentele aparatului.
 - Curățați regulat suprafețele care pot intra în contact cu alimentele și sistemele de drenaj accesibile.
 - Rezervoarele de apă curată dacă nu au fost utilizate timp de 48 de ore; spălați sistemul de apă conectat la o sursă de apă dacă apa nu a fost aspirată timp de 5 zile. (nota 1)
 - Depozitați carnea crudă și peștele în recipiente adecvate la frigider, astfel încât să nu intre în contact cu sau să se scurgă pe alte alimente.
 - Compartimentele cu două stele pentru alimente congelate sunt potrivite pentru depozitarea alimentelor pre-congelate, depozitarea sau prepararea gălății și în fabricarea cuburilor de gheață. (nota 2)
 - Compartimentele -cu două , trei stele și patru stele nu sunt potrivite pentru congelarea alimentelor proaspete. (nota 3)
 - Dacă aparatul frigorific este lăsat gol pentru perioade lungi de timp, opriți, dezghețați, curățați, uscați și lăsați ușa deschisă pentru a preveni formarea mușchiiului în aparat.
 - Pentru aparatele fără compartiment de 4 stele: acest aparat frigorific nu este potrivit pentru congelarea produselor alimentare. (Nota 4)
- Notă 1,2,3,4 Vă rugăm să confirmați dacă este aplicabil în funcție de tipul compartimentului dvs. de produs.
- PENTRU un aparat independent: acest aparat frigorific nu este destinat a fi folosit ca aparat încorporat.
 - ORICE înlocuire sau întreținere a lămpilor cu LED se intenționează a fi făcută de producător, agentul de service sau de o persoană calificată similară.

INSTALAREA

Amplasare

Când selectați o poziție pentru unitatea dvs., trebuie să vă asigurați că podeaua este plată și fermă, iar camera este bine ventilată. Evitați să localizați unitatea lângă o sursă de căldură, de ex. aragaz, cazan sau calorifer. De asemenea, evitați lumina directă a soarelui, deoarece poate crește consumul electric. Temperaturile ambientale extreme la rece pot determina, de asemenea, ca aparatul să nu funcționeze corect.

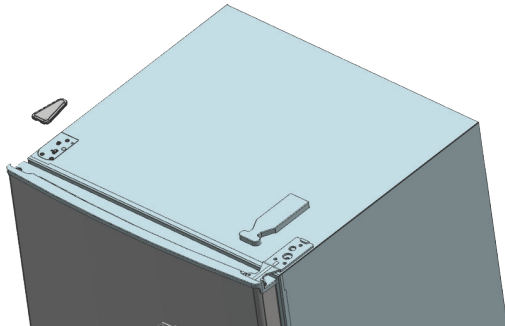
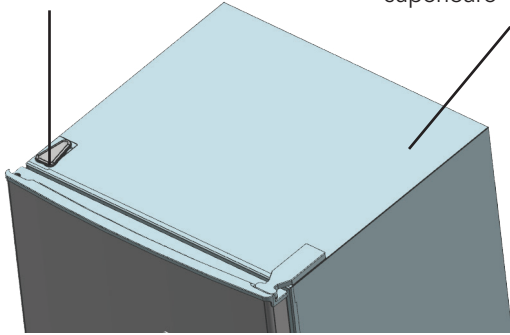
Această unitate nu este proiectată pentru a fi utilizată într-o instalație de tip garaj sau în aer liber. Nu decorați aparatul. Când instalați aparatul, asigurați-vă că 10 cm de spațiu liber rămân pe ambele părți, 10 cm în spate și 30 cm în partea superioară a unității. Acest lucru va permite aerului rece să circule în jurul răcitorului și să îmbunătățească eficiența procesului de răcire.

Inversarea ușii

Instrumente necesare: șurubelniță în stil Phillips / șurubelniță cu capăt drept / cheie hexagonală.

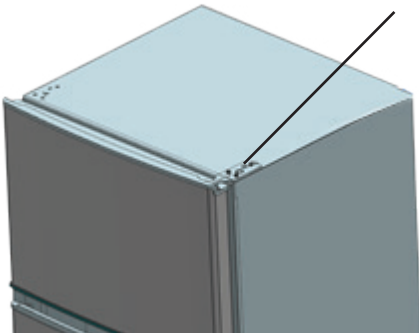
1. Scoateți capacul balamalei din dreapta sus.

Capacul orificiului axului balamalei Capacul balamalei superioare



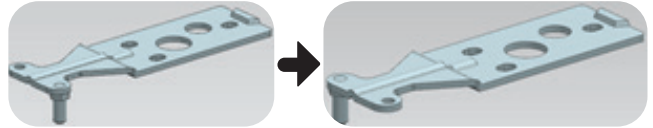
2. Scoateți șuruburile fixate pe balamaua superioară cu o șurubelniță cu slot transversal

Șurub (trei)

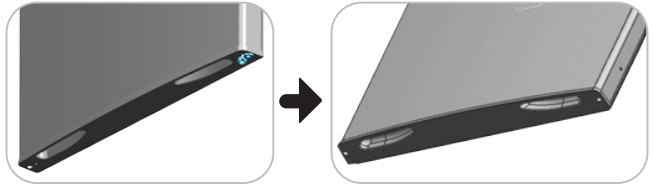


3. Înlocuiți balamaua superioară și butucul limită pentru ușa superioară și bucșa rulmentului ușii în cealaltă parte.

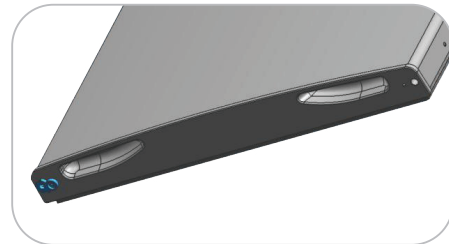
A. Scoateți piulița cu mânecă. Scoateți șaibul apoi îndepărtați axele de cealaltă parte și fixați-le.



B. Scoateți butucul limită pentru ușă

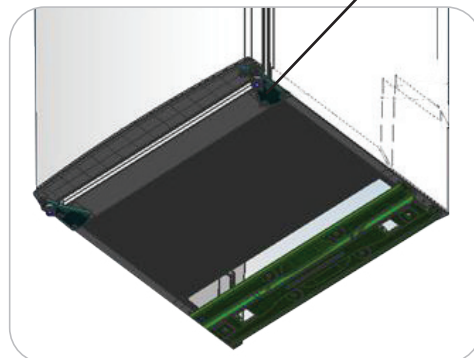


C. Vă rugăm să scoateți un alt butuc limită pentru ușă, cu șurub care se montează pe ușă.



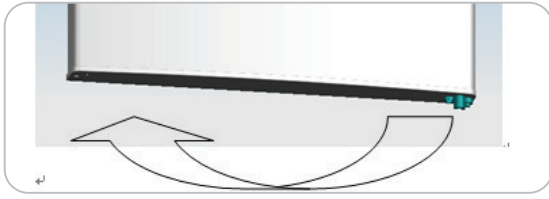
4. Demontați șuruburile fixate cu balamaua de jos cu șurubelniță cu slot transversal.

Șuruburile au fixat balamaua de jos.

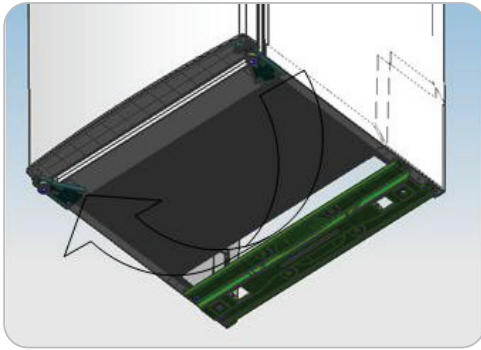


Note: the refrigerator-freezer incline angle less 45°.

5. Înlocuiți bucașa de rulment a ușii de jos și butucul limită.



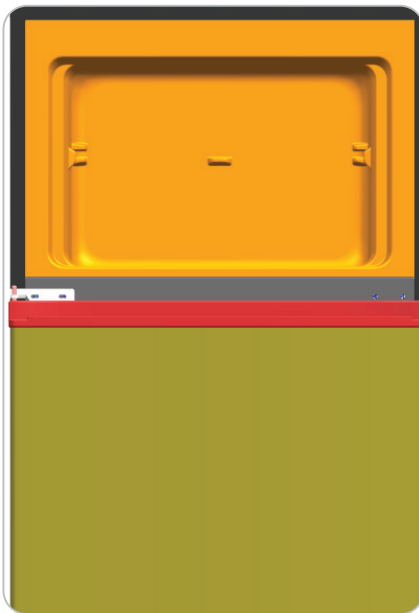
6. Înlocuiți balamaua de jos pe cealaltă parte, apoi fixați-o cu șuruburi



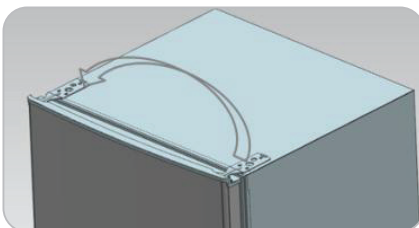
7. Înlocuiți balamaua mijlocie.



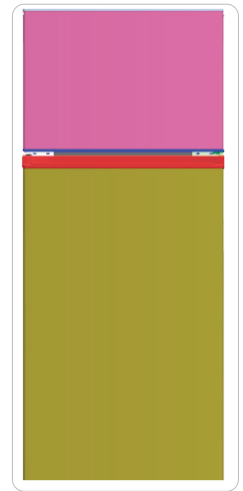
8. Setări poziția din dreapta a ușii de jos, fixați balamaua din mijloc.



9. Înlocuiți balamaua superioară.



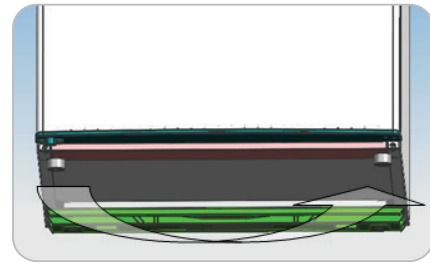
10. Setări poziția din dreapta sus a ușii fixați balamaua superioară și capacul.



11. Instalați cele patru capace cu șurub și două prinderi în poziția corespunzătoare.

- Asigurați-vă că aparatul este deconectat și gol.
- Reglați cele două picioare de nivelare la poziția lor cea mai înaltă.
- Vă recomandăm să aveți pe cineva care să vă ajute.

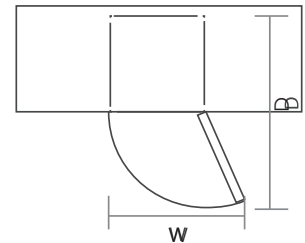
12. Înlocuiți nivelatorul pe cealaltă parte și reglați-l pentru a vă asigura că nivelul carcusei este ridicat.



Cerințe de spațiu pentru ușă

Ușa unității trebuie să fie capabilă să se deschidă complet așa cu indicat.

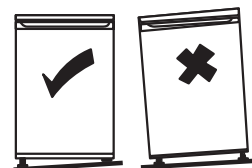
$W \times D \geq 902 \times 1052 \text{ mm}$.



Stabilizarea

Pentru a face acest lucru, reglați cele două picioare de nivelare din fața unității. Dacă unitatea nu este nivelată, alinierea ușii și a garniturii magnetice nu vor fi acoperite corespunzător.

Asigurați-vă că picioarele ating solul înainte de utilizare.



Curățare Înainte de Utilizare

Ștergeți interiorul unității cu o soluție slabă de bicarbonat de sodă. Apoi clătiți cu apă caldă folosind un burete sau cârpă moale. Spălați rafturile și coșul de fructe/legume în apă caldă cu detergent și uscați complet înainte de introducerea în unitate. Curățați exteriorul unității cu o cârpă umedă. Dacă aveți nevoie de mai multe informații, consultați secțiunea Curățare.

Înainte de a folosi aparatul

Nu deteriorați cablul de alimentare în nicio condiție, astfel încât să asigurați utilizarea sigură, nu folosiți atunci când cablul de alimentare sau ștecherul este deteriorat.

Nu puneți articole inflamabile, explozive, volatile și foarte corozive în frigider pentru a preveni deteriorarea produsului sau a accidentelor.

Nu așezați obiecte inflamabile lângă frigider pentru a evita incendiile.

Acest produs este frigider casnic și trebuie să fie potrivit numai pentru depozitarea alimentelor. Conform standardelor naționale, frigiderele de uz casnic nu vor fi utilizate în alte scopuri, cum ar fi depozitarea de sânge, medicamente sau produse biologice.

Nu așezați obiecte precum recipiente îmbuteliate sau sigilate cu lichid, cum ar fi bere îmbuteliate și băuturi în congelator pentru a preveni exploziile și alte pierderi.

Înainte de a pune orice aliment în unitatea dvs., porniți-l și așteptați 24 de ore, pentru a vă asigura că funcționează corect și pentru a-i permite ca timpul să scadă la temperatura corectă. Unitatea dvs. nu trebuie încărcată prea tare.



• Înainte de a conecta

Trebuie să verificați dacă aveți o priză care este compatibilă cu ștecherul furnizat cu unitatea.

• Înainte de a porni!

Nu porniți până la două ore după mutarea unității.

Accesorii interioare

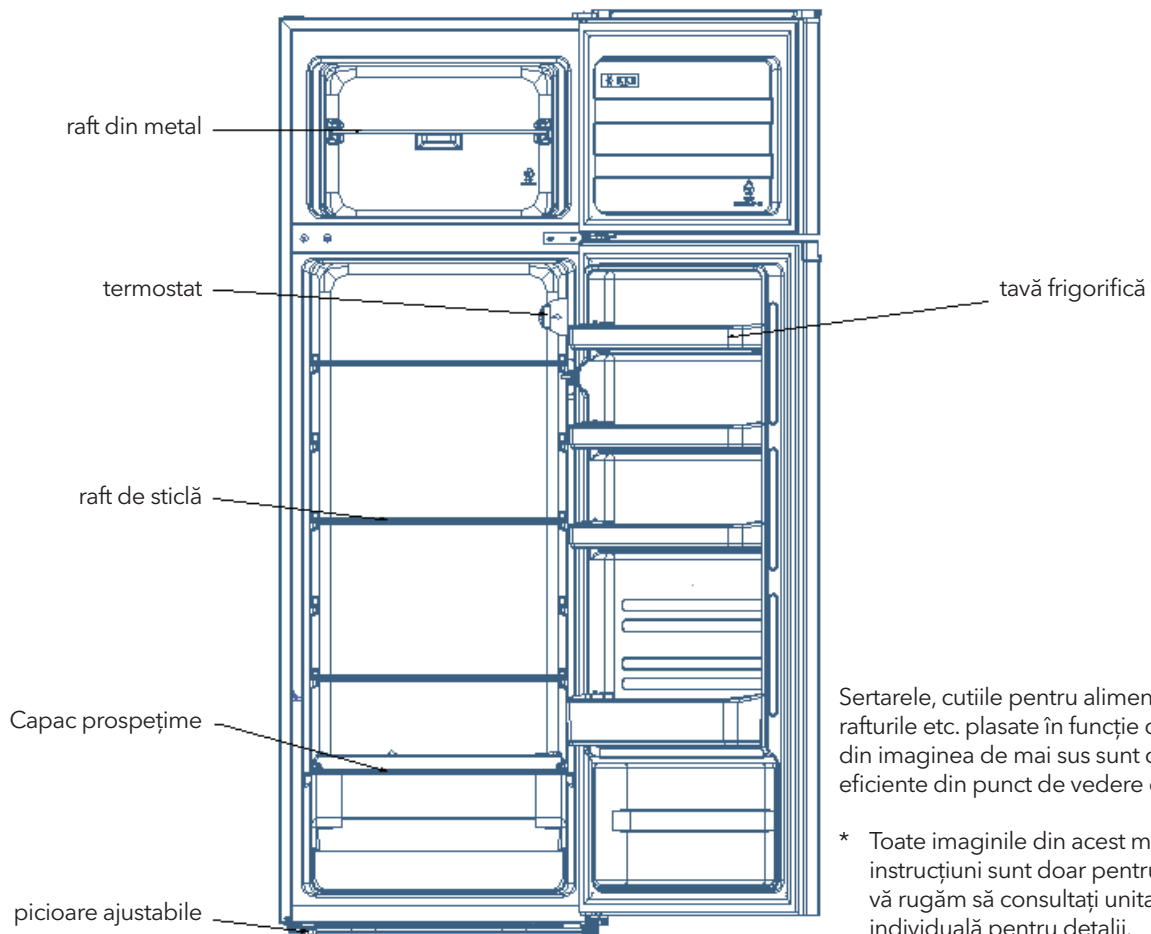
Diferitele rafturi de depozitare din sticlă sau plastic sunt incluse în aparatul dvs. - diferite modele au combinații diferite. Ar trebui să glosați întotdeauna unul dintre rafturile de depozitare de sticlă de dimensiuni mari în setul cel mai mic de ghidaje, deasupra containerelor de fructe și legume, și să îl mențineți în această poziție. Pentru a face acest lucru, trageți raftul de depozitare înainte până poate fi rotit în sus sau în jos și îndepărtat.

Vă rugăm să faceți același lucru în sens invers pentru a introduce raftul la o înălțime diferită.



Pentru a profita la maxim de volumul compartimentului de depozitare a alimentelor proaspete și a compartimentului pentru depozitarea alimentelor congelate, utilizatorul poate scoate unul sau mai multe rafturi, sertare din aparat, în funcție de utilizarea ta zilnică.

PREZENTAREA PRODUSULUI



OPERARE

Pornirea unității

- Butonul de selectare a temperaturii se află pe peretele din dreapta al peretelui interior al frigiderului. Setare „Oprit”: Setare unitate Off „Min”: Mai puțin temperatură rece
- Setare „Med”: Funcționare normală (adecvată pentru majoritatea situațiilor)
- Setare „Max”: Temperatura cea mai rece
- În timpul temperaturilor ambiante ridicate, de ex. în zilele călduroase de vară. Poate fi necesar să reglați termostatul la setarea cea mai rece (poziția „Max”), ceea ce poate determina compresorul să funcționeze continuu pentru a menține o temperatură scăzută în frigider.
- Pentru prima dată când instalați frigiderul, setați butonul termostatalui la „Med”.
- Oferiți timp frigiderului să se răcească complet înainte de a adăuga mâncare. Cel mai bine este să așteptați 24 de ore înainte de a adăuga mâncare. Butonul termostatalui controlează temperatura. Când butonul de control al termostatalui este setat pe OFF, frigiderul nu va funcționa.

Zgomot în Interiorul Frigiderului!

Este posibil să observați că unitatea dvs. produce unele zgomote neobișnuite. Cele mai multe dintre acestea sunt perfect normale, dar ar trebui să fiți conștienți de ele!

Aceste zgomote sunt cauzate de circulația lichidului refrigerant în sistemul de răcire. A devenit mai accentuată de la introducerea

gazelor fără CFC. Aceasta nu este o defecțiune și nu va afecta performanța unității dvs.

Aceasta este motorul compresorului, deoarece pompează agentul frigorific din jurul sistemului.

Sfaturi pentru păstrarea alimentelor în frigider

- Carne fiartă / peștele ar trebui să fie întotdeauna depozitate pe un raft deasupra cârnii / peștelui crud, pentru a evita transferul de bacterii. Păstrați carnea / peștele crud într-un recipient suficient de mare pentru a colecta sucurile și a-l acoperi corect. Puneți recipientul pe cel mai de jos raft.
- Lăsați spațiu în jurul mâncării, pentru a permite aerului să circule în interiorul unității. Asigurați-vă că toate părțile unității sunt păstrate la rece.
- Pentru a preveni transferul mirosurilor și uscarea, ambalați sau acoperiți alimentele separat. Fructele și legumele nu trebuie împachetate.
- Lăsați întotdeauna mâncarea pre-gătită să se răcească înainte de a o pune în unitate. Acest lucru va ajuta la menținerea temperaturii interne a unității.
- Pentru a preveni scurgerea aerului rece din unitate, încercați să limitați momentele când deschideți. Vă recomandăm să deschideți ușa doar atunci când trebuie să introduceți mâncare sau să luați mâncare afară.

Schimbarea Becului

Înlocuirea becului se va face de către o persoană/service autorizată

CURĂȚAREA

Dezghetarea

Decongelare automată pentru frigider frost-Free

Curățarea interioară și exterioară a unității

- Praful din spatele frigiderului și de la sol trebuie curățat în timp util pentru a îmbunătăți efectul de răcire și economisirea de energie.
- Verificați periodic garnitura ușii pentru a vă asigura că nu există rezisuri. Curățați garnitura ușii cu o cârpă moale umezită cu apă cu săpun sau detergent diluat.
- Interiorul frigiderului trebuie curățat regulat pentru a evita mirosul.
- Vă rugăm să opriți alimentarea înainte de a curăța interiorul, îndepărtați toate alimentele, băuturile, rafturile, sertarele etc.
- Folosiți o cârpă moale sau un burete pentru a curăța interiorul frigiderului, cu două linguri de bicarbonat de sodiu și un litru de apă caldă. Apoi clătiți cu apă și ștergeți cu cârpă. După curățare, deschideți ușa și lăsați-o să se usuce natural înainte de a porni alimentarea.
- Pentru zonele dificil de curățat în frigider (cum ar fi locurile înguste, golerile sau colțurile), se recomandă să le ștergeți în mod regulat cu o cârpă moale, perie moale, etc. sub formă de bețișoare subțiri) pentru a vă asigura că nu se

acumulează contaminanți sau bacterii în aceste zone.

- Nu utilizați săpun, detergent, pulbere de curățat, spray de curățat etc., deoarece acestea pot provoca mirosuri în interiorul frigiderului sau contamina alimente.
- Curățați rama sticlei, rafturile și sertarele cu o cârpă moale umezită cu apă cu săpun sau cu detergent diluat. Uscați cu o cârpă moale sau uscați natural.
- Ștergeți suprafața exterioară a frigiderului cu o cârpă moale umezită cu apă cu săpun, detergent etc., apoi ștergeți-o cu o cârpă uscată.
- Nu utilizați perii dure, perii de sârmă, substanțe abrazive (cum ar fi pastele de dinți), solvenți organici (precum alcool, acetonă, ulei de banane etc.), apă clocotită, articole acide sau alcaline, care pot deteriora frigiderul suprafață și interior. Apa clocotită și solvenții organici precum benzenul pot deforma sau deteriora piesele din plastic.
- Nu clătiți direct cu apă sau alte lichide în timpul curățării pentru a evita scurtcircuitele sau pentru a afecta izolația electrică după imersiune.

Sfaturi pentru Curățare

Condensul poate apărea în exteriorul unității. Aceasta se poate datora modificării temperaturii camerei. Ștergeți orice reziduu de umiditate. Dacă problema continuă, vă rugăm să contactați un tehnician calificat pentru asistență.

ÎNTREȚINERE

Schimbarea Luminii Interioare

Înlocuirea becului se va face de către o persoană/service autorizată.

Manipularea / mutarea unității

Țineți unitatea în jurul laturilor sau bazei sale atunci când o deplasați. În niciun caz nu trebuie ridicat, ținând marginile suprafeței superioare.

Service

Unitatea trebuie să fie întreținută de un service autorizat și trebuie utilizate numai piese de schimb originale. În niciun caz nu trebuie să încercați să reparați unitatea. Reparațiile efectuate de persoane neexperimentate pot provoca vătămări sau defecțiuni grave. Contactați un tehnician calificat.

Oprirea pentru perioade lungă de timp

Când unitatea nu este folosită o perioadă lungă de timp, deconectați-o de la rețeaua de alimentare, goliți-o de toate alimentele și curățați aparatul, lăsând ușa întredeschisă pentru a preveni mirosurile neplăcute.

DIAGNOSTICARE

Următoarele probleme simple pot fi gestionate de utilizator. Vă rugăm să apelați departamentul de service autorizat dacă problemele nu sunt rezolvate.

Nu funcționează	Verificați dacă congelatorul este conectat și conectat la alimentare; Voltaj scăzut; Alimentarea cu energie nu funcționează.
Miros neplăcut	Alimentele mirositoare trebuie ambalate corespunzător; Verificați dacă alimentele sunt stricate; Interiorul trebuie curățat.
Funcționarea pe termen lung a compresorului	Este normal ca frigiderul să funcționeze mai mult timp vara, când temperatura ambiantă este mai ridicată; Nu puneți prea multe alimente la congelator simultan; Nu puneți alimente până nu sunt răcite; Nu deschideți ușa frecvent.
Lumina nu funcționează	Verificați dacă frigiderul este conectat la alimentare, Verificați dacă lumina este deteriorată.
Ușa frigiderului nu poate fi închisă în mod corespunzător.	Ușa congelatorului este blocată de pachetele alimentare; Prea multa mancare; Înclinați frigiderul.
Zgomote puternice	Mâncarea nu este așezată corespunzător, frigiderul nu este echilibrat Piese frigiderului nu sunt amplasate corespunzător

Sfaturi

- Carcasa frigorifică poate emite căldură în timpul funcționării, în special vara, aceasta este cauzată de radiația condensatorului și este un fenomen normal.
- Condensare: fenomenul de condensare va fi detectat pe suprafața exterioară și pe garniturile ușilor congelatorului
- Buzz: Buzz va fi generat de rularea compresorului în special la pornire sau oprire.
- când umiditatea ambiantă este mare, acesta este un fenomen normal, iar condensul poate fi șters cu un prosop uscat.


PENTRU ECONOMISIREA ENERGIEI

Avertisment pentru energie

1. Aparatele frigorifice ar putea să nu funcționeze în mod consecvent (posibilitatea dezghețării conținutului sau temperatura să devină ridicată în compartimentul pentru alimente congelate) atunci când sunt amplasate pentru o perioadă extinsă de timp sub capătul rece al intervalului de temperaturi pentru care este proiectat aparatul frigorific.
2. Băuturile efervescente nu trebuie depozitate în compartimentele sau dulapurile congelatoare pentru alimente sau în compartimentele sau dulapurile cu temperatură scăzută și unele produse, cum ar fi apa - gheață, nu trebuie consumate prea rece;
3. Nu depășiți timpul de depozitare recomandat de producătorii de alimente pentru orice fel de alimente și, în special, pentru alimentele congelate rapid în compartimente sau dulapuri pentru congelarea alimentelor și a produselor congelate;
4. Luați măsurile de precauție necesare pentru a preveni o creștere nejustificată a temperaturii alimentelor congelate în timpul dezghețării aparatului frigorific, cum ar fi împachetarea alimentelor congelate în mai multe straturi de ziar.
5. Creșterea a temperaturii alimentelor congelate în timpul dezghețării manuale, întreținerii sau curățării ar putea scurta durata de depozitare.

ELIMINAREA

Unitățile vechi au încă o valoare reziduală. O metodă de eliminare ecologică va asigura recuperarea și utilizarea din nou a materiilor prime valoroase. Refrigerantul utilizat în unitatea dvs. și materialele de izolare necesită proceduri speciale de eliminare. Asigurați-vă că niciuna dintre conductele de pe spatele unității nu este deteriorată înainte de eliminare. Informații actualizate cu privire la opțiunile de eliminare a vechii unități și a ambalajelor din nou pot fi obținute de la biroul local al consiliului local. Când aruncați o unitate veche, scoateți încuietorile sau zăbrele vechi și îndepărtați ușa ca protecție.

Eliminarea corectă a acestui produs	
	<p>Eliminarea corectă a acestui produs</p> <p>Acest marcaj indică faptul că acest produs nu trebuie aruncat cu alte deșeuri menajere din întreaga UE. Pentru a preveni posibilele daune aduse mediului sau sănătății umane din eliminarea necontrolată a deșeurilor, reciclați-l în mod responsabil pentru a promova reutilizarea durabilă a resurselor materiale. Pentru a returna dispozitivul folosit, vă rugăm să utilizați sistemele de retur și colectare sau să contactați retailerul de unde a fost achiziționat produsul. Aceștia pot lua acest produs pentru reciclare în condiții de siguranță pentru mediu.</p>

Pentru mai multe informații, vă rugăm să contactați autoritatea locală sau distribuitorul dvs. de unde ați achiziționat produsul.

Tabelul 1 Clase de climatice

Clasă	Simbol	Interval de temperatură ambientală ° C
Temperat extinsă	SN	+10 to +32
Temperat	N	+ 16 to +32
Subtropicală	ST	+16 to + 38
Tropicală	T	+ 16 to + 43

Temperat extins: „acest aparat frigorific este destinat să fie utilizat la temperaturi ambientale cuprinse între 10 ° C și 32 ° C”;

Temperat: „acest aparat frigorific este destinat utilizării la temperaturi ambientale cuprinse între 16 ° C și 32 ° C”;

Subtropical: „acest aparat frigorific este destinat utilizării la temperaturi ambientale cuprinse între 16 ° C și 38 ° C”;

Tropical: „acest aparat frigorific este destinat utilizării la temperaturi ambientale cuprinse între 16 ° C și 43 ° C”;

OPOZORILA GLEDE VARNOSTI



Opozorilo: tveganje požara/vnetljive snovi

- Ta gospodinjski aparat je predviden za uporabo v gospodinjstvu in temu podobnih okoljih, kot so kuhinje za osebe v trgovinah, pisarnah in drugih delovnih okoljih, kmetije ter hoteli, moteli in nastanitve drugih vrst, v katerih je ta aparat na voljo gostom, nastanitve z nočitvijo in zajtrkom ter catering in podobni načini uporabe, ki niso namenjeni prodaji.
 - Ta aparat ni namenjen osebam (vključno z otroki) s telesnimi, senzoričnimi ali duševnimi okvarami ali pa osebam brez izkušenj in znanja, razen če so pod nadzorom osebe, ki je odgovorna za njihovo varnost, ali pa jim je ta oseba podala navodila za uporabo aparata.
 - Da se otroci zagotovo ne bodo igrali z aparatom, jih je treba nadzorovati.
 - Če je napajalni kabel poškodovan, ga mora zaradi preprečevanja nevarnosti zamenjati proizvajalec, proizvajalčev pooblaščen servisler ali podobno usposobljena oseba.
 - V tem gospodinjskem aparatu ne shranjujte eksplozivnih snovi, kot so aerosolne pločevinke z vnetljivim potisnim plinom.
 - Ko uporabnik neha uporabljati gospodinjski aparat in preden opravi njegovo vzdrževanje, ga mora odklopiti z napajanja.
 - OPOZORILO: Poskrbite, da odprtine za prezračevanje v okrovu aparata ali v vgrajeni strukturi ne bodo zamašene.
 - OPOZORILO: Odtaljevanja ne poskušajte pospeševati z mehanskimi napravami ali z drugimi sredstvi, razen s tistimi, ki jih priporoča proizvajalec.
 - OPOZORILO: Ne poškodujte krogotoka hladilne tekočine.
 - OPOZORILO: V predelkih za shranjevanje živil ne uporabljajte električnih naprav, razen če so takšne vrste, ki jo priporoča proizvajalec.
 - OPOZORILO: Hladilnik odstranite v skladu z lokalnimi predpisi, saj so za njegovo delovanje uporabljeni vnetljivi eksplozivni plini in hladilna tekočina.
 - OPOZORILO: Pri nameščanju aparata poskrbite, da napajalni kabel ne bo zagozden ali poškodovan.
 - OPOZORILO: Na zadnji strani aparata ne nameščajte prenosnih električnih razdelilnikov z več vtičnicami ali prenosnih napajalnikov.
 - Ne uporabljajte podaljševalnih kablov ali neozemljenih adapterjev (z dvema poloma).
 - NEVARNOST: Obstaja tveganje za zaprtje otroka v notranjost aparata. Preden stari hladilnik ali zamrzovalno omaro odstranite:
 - Snemite vrata.
 - Police pustite znotraj aparata, tako da otroci ne bodo mogli zlahka splezati vanj.
 - Preden poskušate namestiti dodatno opremo, morate hladilnik odklopiti z vira električnega napajanja.
 - Hladilno sredstvo in penasta snov ciklopentan, ki se uporabljata pri aparatu, sta vnetljiva. Zato je treba pri uničevanju poskrbeti, da aparat ni v bližini nobenega vira ognja in da ni odstranjen s sežiganjem, ampak ga predela posebno podjetje za predelavo, ki ima ustrezne kvalifikacije, tako da ne pride škode za okolje ali kakršne koli druge škode.
 - Pri standardu EN: Ta aparat lahko uporabljajo otroci, stari 8 in več let, ter osebe s telesnimi, senzoričnimi ali duševnimi okvarami ali pa osebe brez izkušenj in znanja, če so pod nadzorom ali pa so jim bila podana navodila za varno uporabo aparata in če razumejo nevarnosti, povezane z njegovo uporabo. Otroci se z aparatom ne smejo igrati. Brez nadzora otroci aparata ne smejo čistiti in ga vzdrževati. Otrokom, starim od 3 do 8 let, je v hladilne naprave dovoljeno dajati živila in jih jemati iz njega.
 - Ključi vrat oz. pokrova s ključavnico se morajo hraniti izven dosega otrok. Ne hranite jih v bližini naprave, saj obstaja nevarnost da se otroci lahko vanjo zaklenejo.
 - Da preprečite onesnaženje živil, upoštevajte naslednja navodila:
 - Če vrata dlje časa pustite odprta, se temperatura v predelkih aparata lahko precej zviša.
 - Redno čistite površine, ki so v stiku z živili, in dostopne odvodne sisteme.
 - Če posod za vodo 48 ur niste uporabljali, jih očistite; če iz aparata 5 dni niste jemali vode, sperite sistem za vodo, priključen na dovod vode. (Opomba 1)
 - Surovo meso in ribe v hladilniku shranjujte v primernih posodah, tako da ta živila ne pridejo v stik z drugimi ali da z njih ne kaplja na druga živila.
 - Predelki za zamrznjena živila, označeni z dvema zvezdicama ****** so primerni za shranjevanje predhodno zamrznjenih živil, shranjevanje ali izdelovanje sladoleada in izdelovanje ledenih kock. (Opomba 2)
 - Predelki, označeni z eno *****, dvema ******, tremi ******* - in štirimi zvezdicami ********, niso primerni za zamrzovanje svežih živil. (Opomba 3)
 - Če je bil hladilni aparat dlje časa prazen, ga izklopite, odtalite, očistite in osušite, nato pa vrata pustite odprta, da preprečite nastajanje plesni v aparatu.
 - Pri aparatih brez predelka s 4 zvezdicami ta hladilni aparat ni primeren za zamrzovanje živil. (Opomba 4)
- Opomba 1, 2, 3,4: Preverite, ali se nanaša na vrsto predelka v vašem izdelku.
- Pri prostostoječem aparatu: ta hladilni aparat ni namenjen temu, da bi bil uporabljen kot vgradni aparat.
 - Predvideno je, da kakršno koli zamenjavo ali vzdrževanje sijalk LED izvede proizvajalec, njegov servisni zastopnik ali podobno usposobljena oseba. Razred energijske učinkovitosti sijalke je G.

POSTAVITEV

Mesto postavitve

Pri izbiri mesta postavitve vaše naprave se prepričajte, da je podlaga ravna in čvrsta in da je prostor dobro prezračen. Naprave ne postavljajte v bližini virov toplote, kot so štedilnik, bojler ali radiator. Prav tako se izogibajte direktnemu izpostavljanju sončnim žarkom, saj lahko to povzroči povečano porabo električne energije. Izjemno nizke sobne temperature prav tako lahko povzročijo slabo delovanje

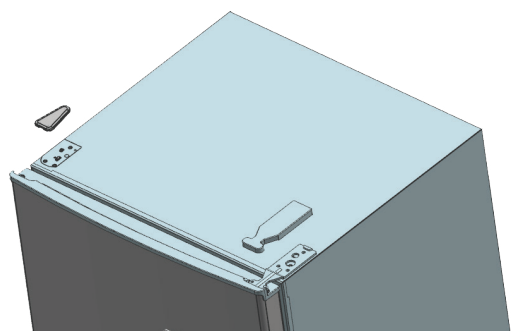
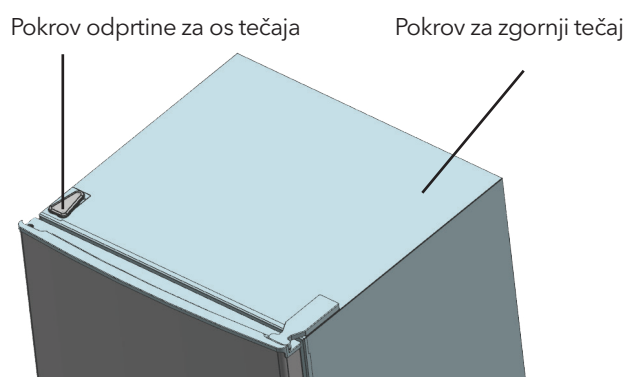
naprave. Ta naprava ni namenjena za postavitve v garažah ali na prostem. Naprave ne prekrivajte.

Pri postavljanju naprave preverite, da na obeh straneh in zadaj ostane razmak 10 cm, na zgornji strani pa 30 cm do naslednjega predmeta. Na ta način omogočite kroženje hladnega zraka okoli vitrine za vino in povečate učinkovitost hlajenja.

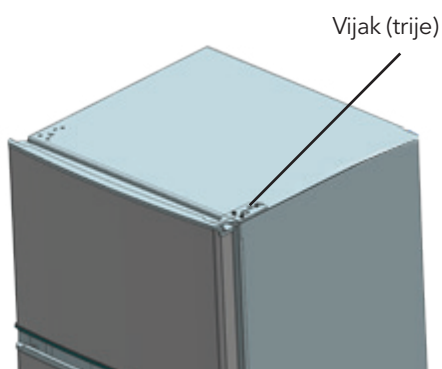
Sprememba smeri odpiranja vrat

Potrebno orodje: Križni izvijač / ploščati izvijač / šesterkotni ključ

1. Snemite pokrov za os zgornjega tečaja.

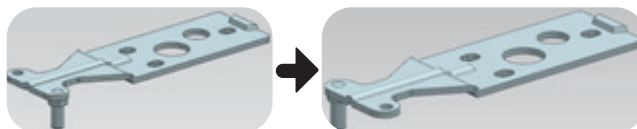


2. S križnim izvijačem odvijte vijake, s katerimi je pritrjen zgornji tečaj.

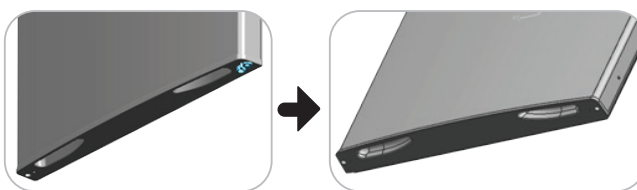


3. Prestavite zgornji tečaj in zgornji naslon vrat ter nosilec vrat na drugo stran.

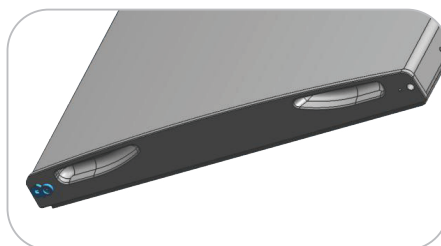
A. Snemite matico z nosilcem. Snemite podložko, prestavite os na drugo stran in jo pritrdite.



B. Snemite naslon vrat

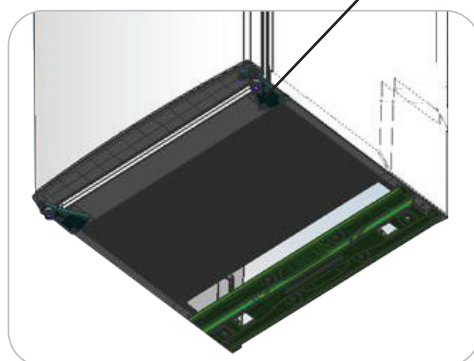


C. Prosimo pripravite drugi naslon vrat in ga z vijaki pritrdite na vrata.



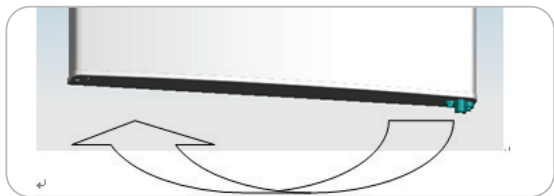
4. S pomočjo križnega izvijača snemite vijake, s katerimi je pritrjena spodnja os.

Vijaki, s katerimi je pritrjen spodnji tečaj.

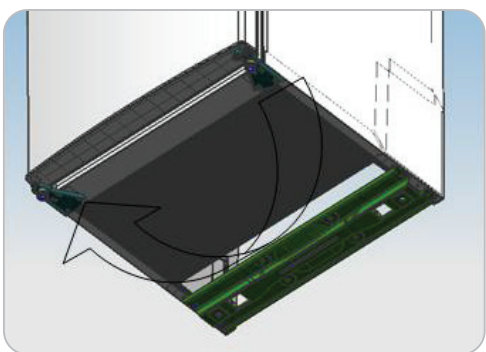


Opomba: Kot nagibanja hladilnika-zamrzovalnika mora biti manjši od 45°.

5. Zamenjajte stran spodnjega nosilca vrat in naslona.



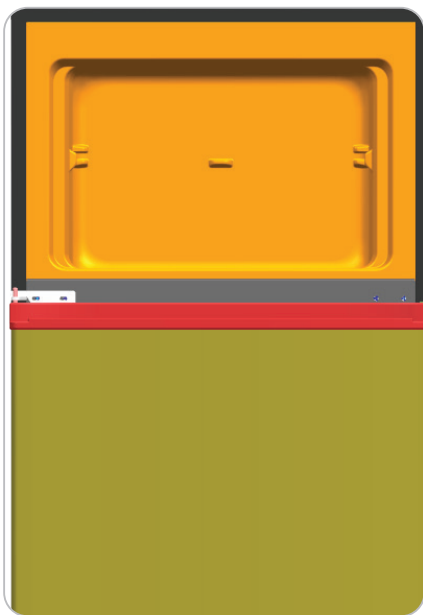
6. Prestavite spodnji tečaj na drugo stran in ga pritrdite z vijaki.



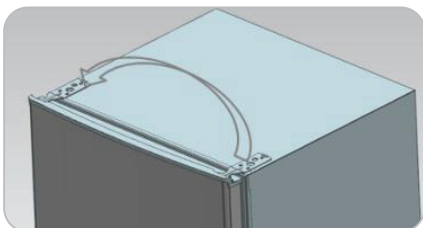
7. Premestite srednji tečaj.



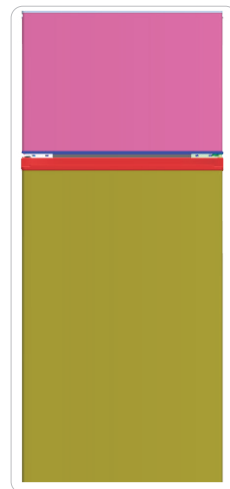
8. Postavite spodnja vrata v ustrezen položaj in pritrdite sredni tečaj.



9. Prestavite zgornji tečaj.



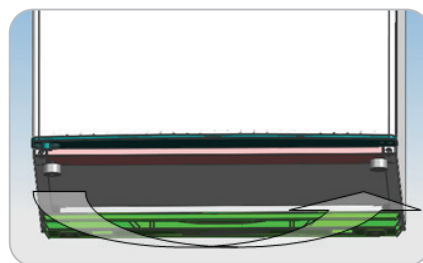
10. Prestavite zgornja vrata v ustrezen položaj, pritrdite zgornji tečaj in pokrov.



11. Namestite štiri kapice za vijake in dva zapaha na ustrezna mesta.

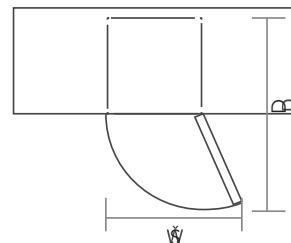
- Preverite, da je naprava odklopljena od električnega omrežja in prazna.
- Dve nožici za poravnavanje nastavite na najvišji položaj.
- Priporočamo, da tega ne počenjate sami.

12. Prestavite vodno tehniko na drugo stran in nastavite nožice tako, da bo naprava stala povsem vodoravno.



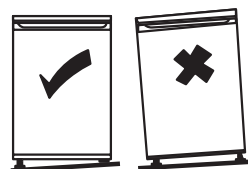
Potreben prostor za vrata

Pustiti morate dovolj prostora za popolno odpiranje vrat naprave, kot je prikazano na sliki. $\checkmark \times D \geq 902 \times 1052 \text{ mm}$



Poravnavanje naprave

Se izvede z nastavljanjem dveh poravnalnih nožic, ki se nahajajo na sprednji strani naprave. Če naprava ni poravnana, vrata in magnetno tesnilo ne bosta pravilno nalegala. Pred uporabo preverite, da se nožice dotikajo podlage. Gledano od zgoraj, obračajte nožico v smeri kazalca na uri za njeno odvijanje ali v obratni smeri za njeno privijanje.



Čiščenje pred uporabo

Notranjost naprave obrišite z blago raztopino sode bikarbone. Potem jo izperite s toplo vodo na pomivalni gobici ali krpi, ki jo lahko izcedite. Police in predal za solate umijte s toplo vodo in milnico ter jih pred ponovnim vstavljanjem v napravo povsem posušite. Zunanji del naprave obrišite z vlažno krpo. Če potrebujete več informacij, pogledjte v poglavje »Čiščenje«.

Pred uporabo naprave

Za zagotavljanje varnosti med uporabo naprave ne smete nikoli poškodovati električnega napajalnega kabla, če pa je ta poškodovan ali vtič obrabljen, pa naprave ne smete uporabljati.

Zaradi preprečevanja poškodb proizvoda ali nastanka požara nanj ne postavljate vnetljivih, eksplozivnih in hlapljivih ali korozivnih snovi.

Zaradi preprečevanja požara v bližino hladilnika ne postavljajte vnetljivih predmetov.

Ta proizvod je hladilnik, ki je namenjen uporabi v gospodinjstvu in je primeren izključno samo za čuvanje hrane. V skladu z nacionalnimi standardi se hladilniki za uporabo v gospodinjstvu ne smejo uporabljati v druge namene, kot so skladiščenje krvi, zdravil ali bioloških proizvodov.

V zamrzovalnik ne vstavljajte predmetov, kot so ustekleničene tekočine ali tekočine v zaprtih posodah, kot so pločevinke piva in pijač, da se izognete njihovemu počenju in drugi škodi.

Preden v svojo napravo postavite kakršnokoli hrano, ga vklopite in počakajte 24 ur, da se prepričate o njegovem pravilnem delovanju in da mu omogočite znižanje temperature na ustrezne vrednosti. Naprave ni primerno preveč napolniti.



• Pred priključkom na električno omrežje

Preverite, da vtičnica ustreza vtiču, ki je dobavljen z napravo.

• Pred vklopom naprave!

Po prenosu naprave počakajte vsaj dve uri, preden jo vklopite.

Elementi notranje opreme

Vaša naprava vsebuje različne steklene in plastične odlagalne police - kombinacije se razlikujejo glede na model.

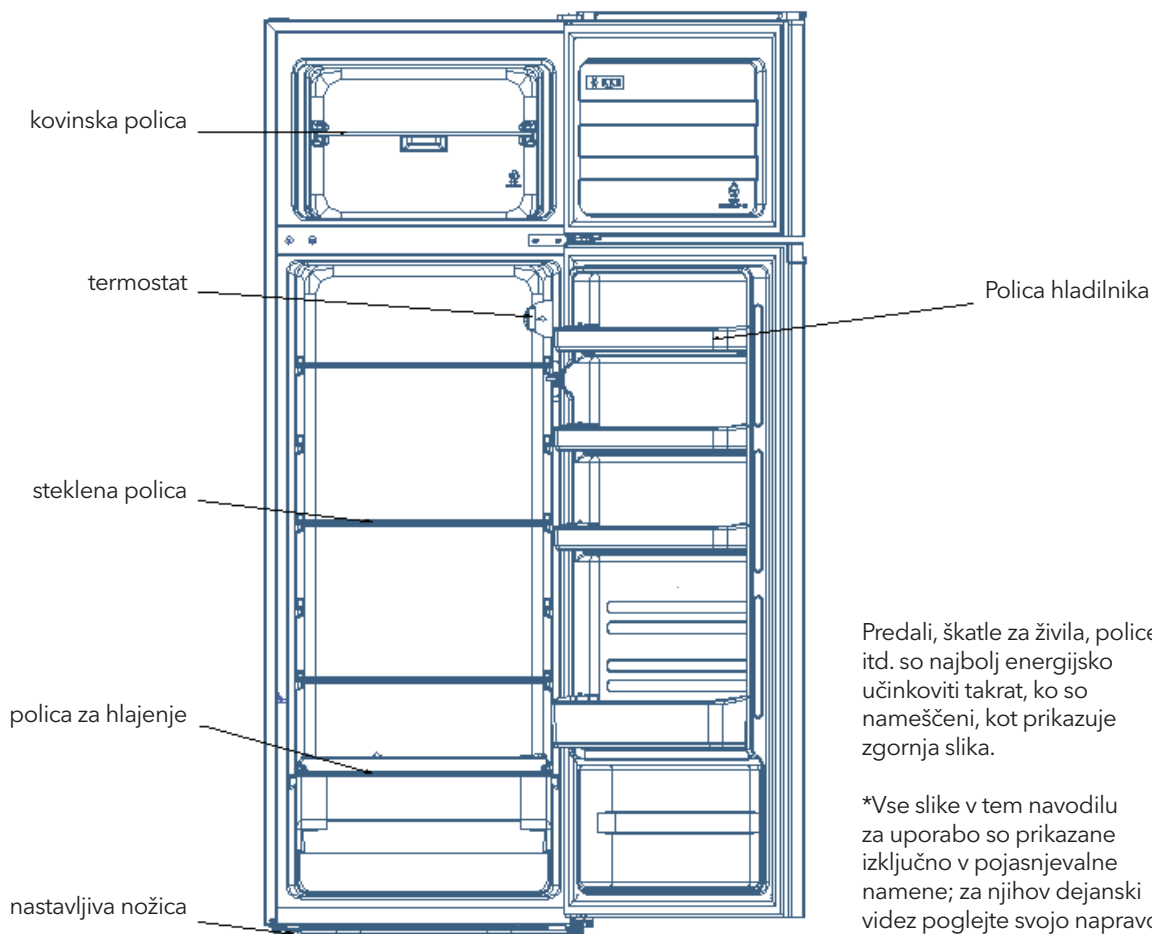
Eno od polic naprave, ki pokriva celotno površino naprave, morate vedno z drsnim gibom vstaviti v najnižja vodila nad oddelkom za sadje in zelenjavo ter jo tam pustiti. To storite tako, da odlagalno polico povlečete naprej v položaj, ki omogoča njen dvig ali spust in odstranitev.

Za postavljanje police na druge višine postopajte, kot je navedeno zgoraj, le v obratnem vrstnem redu.



Za kar največji izkoristek prostornine oddelka za hranjenje sveže ali oddelka za hranjenje zamrznjene hrane lahko odstranite eno ali več polic in predalov iz naprave v skladu s svojimi vsakdanjimi potrebami.

PRIKAZ PROIZVODA



Predali, škatle za živila, police itd. so najbolj energijsko učinkoviti takrat, ko so nameščeni, kot prikazuje zgornja slika.

*Vse slike v tem navodilu za uporabo so prikazane izključno v pojasnjevalne namene; za njihov dejanski videz pogledjte svojo napravo.

DELOVANJE NAPRAVE

Vklop naprave

- Gumb za nastavljanje temperature se nahaja na desni steni v notranjosti hladilnika.
Nastavitev na »Izklopljeno« (Off): Naprava je izklopljena.
Nastavitev na »Min«: Manjša moč hlajenja
Nastavitev na »Med«: Normalno delovanje (primerno za večino situacij)
Nastavitev na »Max«: Najmočnejše hlajenje
- Pri visokih temperaturah okolja, na primer v vročih poletnih dneh, je lahko potrebno nastaviti termostat na najmočnejše hlajenje (Položaj „**Max**“). To lahko povzroči neprekinjeno delovanje kompresorja zaradi vzdrževanja nizke temperature v napravi.
- Pri prvi postavitvi hladilnika nastavite gumb termostata na »Med«.
- Preden začnete vstavljati hrano počakajte, da se hladilnik povsem ohladi.
- Pred vstavljanjem hrane je najbolje počakati 24 ur po vklopu hladilnika. Z gumbom termostata krmilite temperaturo. Če je krmilni gumb termostata nastavljen na IZKLOPLJENO (OFF), hladilnik ne bo delal.

Hrup v napravi!

Mogoče boste opazili, da vaša naprava proizvaja nenavadne zvoke. Večina navedenih zvokov je povsem običajna, a se jih morate zavedati!

ČIŠČENJE

Odtajanje

Samodejno odtaljevanje frost-free hladilnika

Čiščenje notranjosti in zunanosti enote

- Za večji učinek hlajenja in varčevanje z energijo je treba prah za zamrzovalno omaro in na tleh redno čistiti.
- Redno preverjajte tesnilo na vratih, da se na njem ne bo nabirala umazanija. Tesnilo na vratih očistite z mehko krpo, namočeno v milnico ali razredčeni detergent.
- Da preprečite neprijetne vonjave, morate redno čistiti tudi notranjost hladilnika.
- Pred čiščenjem notranjosti izklopite napajanje ter odstranite vsa živila, pijače, police, predale itd.
- Notranjost hladilnika očistite z mehko krpo ali gobo, namočeno v mešanico dveh čajnih žličk sode bikarbone in četrta litra tople vode. Nato izplaknite z vodo in do čistega obrišite. Po čiščenju odprite vrata in pustite, da se notranjost osuši na zraku, preden znova vklopite napajanje.
- Območja, ki jih je težko očistiti (ozke prostore, reže ali kote), je priporočljivo redno brisati z mehko krpo, mehko krtačko itd., po potrebi pa z dodatnimi pripomočki (kot so tanke paličice), da se v njih ne bodo nabirala onesnaževala ali bakterije.
- Ne uporabljajte mil, detergentov, abrazivnih praškov za čiščenje, sredstev za čiščenje v obliki razpršila, saj lahko

Zvoki nastajajo zaradi kroženja hladilnega sredstva v sistemu hlajenja. To je postalo bolj izrazito po uvedbi plinov, ki ne vsebujejo klorofluoroogljikovodikov (CFC). To ne predstavlja napake in ne bo vplivalo na delovanje vaše naprave. Gre za zvok delovanja motorja kompresorja med črpanjem hladilnega sredstva skozi sistem.

Nasveti za shranjevanje živil v napravi

- Toplotno obdelano meso/ribe morate vedno odlagati na polico nad surovim mesom/ribami, da se izognete prenosu bakterij. Surovo meso/ribe shranjujte v posodi, ki je dovolj velika za zadrževanje sokov mesa in jo ustrezno zaprite. Posodo postavite na najnižjo polico.
- Med posameznimi živili pustite prazen prostor, da lahko hladen zrak kroži znotraj naprave. Preverite, da so ohlajeni vsi deli naprave.
- Živila pakirajte ali pokrivajte posamično, da preprečite prenos vonja in sušenje. Sadja in zelenjave ni potrebno zavijati.
- Toplotno obdelano hrano vedno povsem ohladite, preden jo vstavite v napravo. Na ta način pomagate vzdrževati notranjo temperaturo naprave.
- Zaradi preprečevanja iztekanja hladnega zraka iz naprave poskušajte omejiti število odpiranj vrat naprave. Priporočamo, da vrata odpirate samo, če morate hrano dati v napravo ali jo vzeti iz nje.

Zamenjava žarnice

Zamenjavo žarnice mora opraviti strokovna oseba.

v notranjosti hladilnika pustijo neprijetne vonjave ali onesnažijo živila.

- Držalo za steklenice, police in predale očistite z mehko krpo, namočeno v milnico ali razredčeni detergent. Obrišite z mehko krpo ali pa pustite, da se posuši na zraku.
- Zunanjo površino hladilnika očistite z mehko krpo, namočeno v milnico, detergent itd., nato pa jo obrišite do suhega.
- Ne uporabljajte trdih krtač, jeklenih gobic za čiščenje, žičnih krtač, abrazivnih sredstev (kot je zobna pasta), organskih topil (kot je alkohol, aceton, bananino olje itd.), vrele vode ali pa kislinskih ali alkalnih sredstev, ki lahko poškodujejo površino in notranjost hladilnika. Z vrelo vodo in organskimi topili, kot je benzen, se plastični deli lahko deformirajo ali poškodujejo.
- Med čiščenjem ne izplakujte neposredno z vodo ali drugimi tekočinami, da preprečite kratke stike ali poškodbe električne izolacije, ki bi nastale med prelitjem z vodo.

Nasveti za čiščenje

Na zunanji površini naprave lahko pride do nastajanja kondenzata. Razlog za to je lahko sprememba sobne temperature. Vlažne dele obrišite. Če se ta problem ponavlja, se posvetujte z ustreznim tehničnim strokovnjakom.

VZDRŽEVANJE

Zamenjava notranje osvetlitve

Zamenjavo žarnice mora opraviti strokovna oseba.

Previdnost pri rokovanju / prenašanju vaše naprave

Pri prenašanju napravo držite okoli bočnih strani ali za podstavek. Naprave pod nobenimi pogoji ne smete dvigovati tako, da ga držite za robove zgornje površine.

Servisiranje

Servisiranje naprave mora izvajati pooblaščen serviser, ki pri

tem uporablja izključno originalne rezervne dele. Naprave pod nobenimi pogoji nikoli ne poskušajte popravljati sami. Popravila s strani neizkušenih oseb lahko povzročijo poškodbe oseb ali resno okvaro naprave. Povežite se z usposobljenim strokovnjakom.

Izklapljanje naprave za daljše časovno obdobje

Če naprave dalj časa ne uporabljate, jo odklopite iz električnega omrežja, odstranite živila in napravo očistite, vrata pa pustite nekoliko priprta, da preprečite nastanek neprijetnih vonjav.

ODPRAVA NAPAK

Uporabnik lahko sam odpravi enostavne napake, ki so našteje v nadaljevanju. V kolikor napake ne morete odpraviti, pokličite sektor za vzdrževalne storitve.

Naprava ne dela.	Preverite, da je hladilnik priključen na električno napetost; Prenizka napetost; Izpad napetosti ali prekinitve varovalke.
Vonjave	Hrano, ki oddaja močnejše vonjave, morate dobro zaviti; Preverite, ali se je hrana pokvarila; Preverite, ali je potrebno očistiti notranjost naprave.
Dolgotrajno delovanje kompresorja	Normalno je, da hladilnik poleti deluje dalj časa, kadar je sobna temperatura višja; Ne vstavljajte v hladilnik preveč hrane naenkrat; Ne vstavljajte hrane v napravo, dokler se ne ohladi; Pogosto odpiranje vrat hladilnika.
Lučka ne sveti.	Preverite, da je hladilnik priključen na električno omrežje; Preglejte žarnico na poškodbe.
Vrata hladilnika se ne zapirajo pravilno.	Embalaža z živili blokira vrata zamrzovalnika; Prevelika količina hrane; Hladilnik je nagnjen.
Glasni zvoki.	Preverite ali so živila poravnana in ali hladilnik stoji vodoravno; Preverite, ali so deli hladilnika vstavljeni na pravilen način.

Nasveti

- Med delovanjem, še posebej med poletnimi meseci lahko ohišje hladilnika oddaja toploto zaradi toplotnega sevanja kondenzatorja, kar je običajen pojav.
- Kondenzat bo nastajal na zunanjih površinah in tesnilih na vratih zamrzovalnika pri visoki relativni vlažnosti zraka v

prostoru. Gre za običajen pojav, kondenzat lahko obrišete s suho krpo.

- Brenčanje: Med delovanjem bo kompresor zabrenčal, še posebej pri vklopu in izklopu.

NASVETI ZA VARČEVANJE Z ENERGIJO

Opozorilo glede energije

- Če so hladilni aparati dlje časa v območju s temperaturo, ki je nižja od tiste, za katero so bili zasnovani, lahko začnejo delovati nedosledno (obstaja možnost odtaljevanja vsebine ali previsoke temperature v predelku za zamrznjena živila).
- V predelkih ali komorah zamrzovalnika živil ali v predelkih ali komorah z nizko temperaturo ne smete shranjevati gaziranih pijač, določenih proizvodov, kot so ledene kocke, pa ne smete uživati, ko so še premrzli.
- Pri vseh živilih, zlasti pa pri komercialnih živilih, hitro

zamrznjenih v zamrzovalniku za živila in v predelkih ali komorah za shranjevanje zamrznjenih živil, se je treba držati rokov shranjevanja, ki jih priporočajo proizvajalci živil.


- Da pri odtaljevanju hladilnega aparata preprečite pretirano segrevanje zamrznjenih živil, morate izvesti previdnostne ukrepe, kot je zavijanje zamrznjenih živil v več plasti časopisnega papirja.
- Treba je upoštevati dejstvo, da se zaradi segrevanja zamrznjenih živil med ročnim odtaljevanjem, vzdrževanjem ali čiščenjem rok shranjevanja lahko skrajša.

ODSTRANJEVANJE

Stare naprave imajo določeno preostalo vrednost. Uporabite način odstranjevanja, s katerim se varuje življenjsko okolje in pri katerem se lahko reciklirajo in ponovno uporabijo dragocene surovine. V vaši napravi uporabljena hladilna sredstva in izolacijski materiali zahtevajo uporabo posebnih postopkov za odstranjevanje. Pred oddajo se prepričajte, da nobena cev na zadnjem delu naprave ni poškodovana. Posodobljene podatke o možnostih odstranitve vaše stare naprave in embalaže nove naprave lahko dobite v pisarnah vaših lokalnih oblasti.

Pred oddajo stare naprave odlomit vse stare ključavnice ali kljuke in iz previdnosti snemite vrata.

Za dodatne informacije stopite v stik s svojimi lokalnimi oblastmi ali prodajalno, v kateri ste kupili proizvod.

Pravilno odstranjevanje tega proizvoda	
	<p>Pravilno odstranjevanje tega proizvoda</p> <p>Ta oznaka prikazuje, da tega proizvoda v EU ne smete odstraniti v odpadke iz gospodinjstva. Zaradi preprečitve morebitne škode za življenjsko okolje in zdravje ljudi, ki bi lahko nastala zaradi nenadzorovanega odlaganja odpadkov, napravo reciklirajte in s tem podprite trajnostno ponovno uporabo materialnih virov. Prosimo, da vašo nerabno napravo predate v sistem za vračanje in zbiranje odpadkov ali pa se povežite s prodajalno, kjer ste napravo kupili. Na ta način se lahko proizvod reciklira na neškodljiv način za življenjsko okolje.</p>

Za dodatne informacije stopite v stik s svojimi lokalnimi oblastmi ali prodajalno, v kateri ste kupili proizvod.

Tabela 1 Klimatski razredi

Razred	Simbol	Razpon sobne temperature °C
Subnormalni	SN	+10 to +32
Normalni	N	+ 16 to +32
Subtropski	ST	+16 to + 38
Tropski	T	+ 16 to + 43

Razširjeni zmerni podnebni pas: ta hladilni aparat je namenjen uporabi pri temperaturah okolja od 10 °C do 32 °C;

zmerni podnebni pas: ta hladilni aparat je namenjen uporabi pri temperaturah okolja od 16 °C do 32 °C;

subtropski podnebni pas: ta hladilni aparat je namenjen uporabi pri temperaturah okolja od 16 °C do 38 °C;

tropski podnebni pas: ta hladilni aparat je namenjen uporabi pri temperaturah okolja od 16 °C do 43 °C.

BEZBEDNOSNA UPOZORENJA



Upozorenje: rizik od požara / zapaljivi materijali

- OVAJ uređaj je namenjen za upotrebu u domaćinstvima i sličnom okruženju poput kuhinja za osoblje u prodavnicama, kancelarijama i drugom radnom okruženju; poljoprivrednih domaćinstava i hotela, motela i ostalih objekata rezidencijalnog tipa, gde se stavlja na raspolaganje klijentima; objekata koji pružaju uslugu noćenja sa doručkom; kateringa i u slične neprodajne namene.
 - NIJE predviđeno da ovaj uređaj koriste osobe (uključujući decu) sa umanjnim fizičkim, senzornim ili mentalnim sposobnostima, ili sa nedostatkom iskustva i znanja, osim ukoliko su pod nadzorom osobe odgovorne za njihovu bezbednosti ili ukoliko im je pomenuta osoba pružila objašnjenje u vezi sa upotrebom uređaja.
 - Decu je potrebno nadgledati kako biste bili sigurni da se ne igraju uređajem.
 - UKOLIKO je kabl za napajanje oštećen, potrebno je da njegovu zamenu obavi proizvođač, njegov ovlašćeni serviser ili lica sa sličnim kvalifikacijama kako bi se izbegao nastanak opasnosti.
 - NEMOJTE držati eksplozivne supstance poput aerosol boca sa zapaljivim potisnim gasom u ovom uređaju.
 - UREĐAJ je potrebno iskopčati iz utičnice nakon upotrebe, a pre njegovog korisničkog održavanja.
 - UPOZORENJE: Povedite računa da ventilacioni otvori ne budu blokirani unutar ugradnog dela ili ugradne konstrukcije za uređaj.
 - UPOZORENJE: Ne upotrebljavajte mehanička sredstva ili druge postupke za ubrzavanje procesa otapanja, ukoliko nisu preporučeni od strane proizvođača.
 - UPOZORENJE: Ne oštećujte instalacije za rashladno sredstvo.
 - UPOZORENJE: Ne upotrebljavajte električne uređaje unutar odeljaka za držanje hrane ovog uređaja, osim ukoliko su u pitanju tipovi uređaja preporučeni od strane proizvođača.
 - UPOZORENJE: Frižider odložite u skladu sa lokalnim propisima jer se za njegov rad upotrebljavaju zapaljivi eksplozivni gas i rashladno sredstvo.
 - UPOZORENJE: Prilikom pozicioniranja uređaja, uverite se da kabl za napajanje nije pritisnut ili oštećen.
 - UPOZORENJE: Nemojte postavljati prenosive produžne kablove sa više utičnica ili prenosive akumulatore iza uređaja.
 - NE upotrebljavajte produžne kablove ili neuzemljene (sa dva kraka) adaptere.
 - OPASNOST: Rizik od zatvaranja dece unutar uređaja. Pre nego što odbacite svoj stari frižider ili zamrzivač:
 - Skinite vrata.
 - Ostavite police unutar uređaja kako deca ne bi mogla da se lako uvuku unutra.
 - PRE nego što se započne sa postupkom instalacije nekog pratećeg elementa, frižider je potrebno iskopčati sa izvora napajanja.
 - RASHLADNO sredstvo i penušavo sredstvo ciklopentan, koji se upotrebljavaju u okviru frižidera, su zapaljivi.
 - Stoga, prilikom odlaganja frižidera, držite ga dalje od izvora plamena i, umesto da ga odložite sagorevanjem, predajte ga nekoj od specijalizovanih kompanija za recikliranje sa odgovarajućim kvalifikacijama kako bi se omogućilo njegovo ponovno iskorišćenje, jer ćete na taj način sprečiti štetne efekte po životnu sredinu ili druge opasnosti.
 - ZA EN standard: Ovaj uređaj mogu upotrebljavati deca starosti od 8 ili više godina i osobe sa umanjnim fizičko-senzornim ili mentalnim sposobnostima ili nedostatkom iskustva i znanja ukoliko su pod nadzorom ili su upućeni u bezbedno korišćenje uređaja i shvataju opasnosti koje njegova upotreba nosi. Deca se ne smeju igrati uređajem. Deca ne smeju da obavljaju čišćenje i korisničko održavanje uređaja bez nadzora. Deca starosti od 3 do 8 godina mogu stavljati hranu u ili je uzimati iz uređaja za rashlađivanje.
 - Ključevi od vrata ili poklopaca sa bravama moraju se držati van domašaja dece i ne smeju biti u neposrednoj blizini uređaja, kako se deca ne bi zaključala iznutra.
 - KAKO biste izbegli kontaminiranje hrane, pridržavajte se sledećih uputstava:
 - Dugo držanje vrata uređaja otvorenim može da dovede do značajnog rasta temperature unutar odeljaka uređaja.
 - Redovno čistite površine koje mogu da dođu u dodir sa hranom, kao i pristupačne delove odvodnog sistema.
 - Očistite posude za vodu ukoliko ih niste koristili tokom vremenskog perioda od 48 h; ukoliko tokom vremenskog perioda od 5 dana niste uzimali vodu iz uređaja, isperite sistem za protok vode povezan na dovod vode. (napomena 1)
 - Sirovo meso i ribu unutar frižidera držite u
 - Odeljci za smrznutu hranu označeni dvema zvezdicama *** *** pogodni su za držanje prethodno smrznute hrane, za držanje ili pravljenje sladoleda i za pravljenje kockica leda. (napomena 2)
 - Odeljci označeni jednom *****, dvema ******, trima ******* ili *** ** *** četrima zvezdicama nisu pogodni za zamrzavanje sveže hrane. (napomena 3)
 - Ukoliko će uređaj za rashlađivanje biti prazan tokom dužeg vremenskog perioda, isključite ga, odledite, očistite i osušite, a zatim ostavite vrata uređaja otvorenim kako biste sprečili razvoj buđi u unutrašnjosti uređaja.
 - Kod uređaja koji nemaju odeljak označen četrima zvezdicama: ovaj uređaj za rashlađivanje nije pogodan za zamrzavanje namirnica. (napomena 4)
- Napomene 1, 2, 3, 4: Proverite da li su navedene informacije primenjive na tipove odeljaka Vašeg proizvoda.
- ZA samostojeće uređaje: nije predviđeno da se ovaj uređaj za rashlađivanje upotrebljava kao ugradni uređaj.
 - PREDVIĐENO je da svaki postupak zamene ili održavanja LED lampica obavlja proizvođač, njegov ovlašćeni serviser ili lica sa sličnim kvalifikacijama. Lampica pripada klasi G energetske efikasnosti.

INSTALACIJA

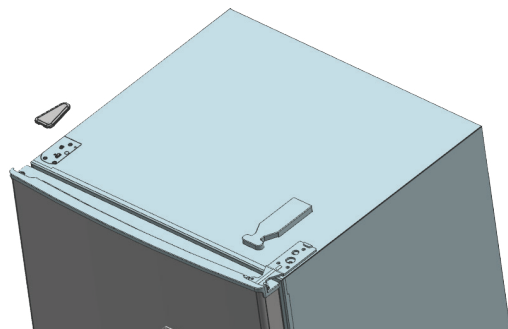
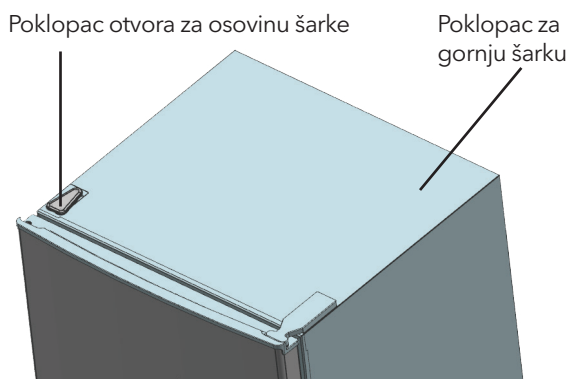
Lokacija

Prilikom izbora lokacije za Vaš uređaj, uverite se da je podloga ravna i čvrsta, kao i da je provetrenost u prostoriji dobra. Izbegavajte postavljanje uređaja u blizini izvora toplote, npr. šporeta, bojlera ili radijatora. Takođe, izbegavajte direktno izlaganje suncu, jer ovo može da dovede do povećane potrošnje električne energije. Izuzetno niske sobne temperature takođe mogu prouzrokovati loš rad uređaja.

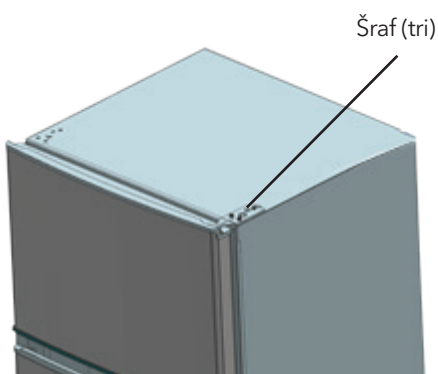
Promena smeru otvaranja vrata

Potreban alat: Krstasti odvijač / ravni odvijač / šestougaoni ključ

1. Uklonite poklopac za osovinu gornje šarke.



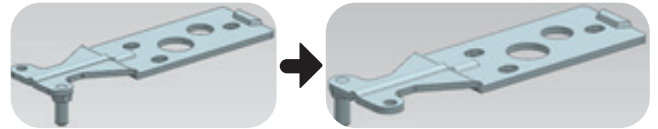
2. Pomoću krstastog odvijača, uklonite šrafove kojima je pričvršćena gornja šarka.



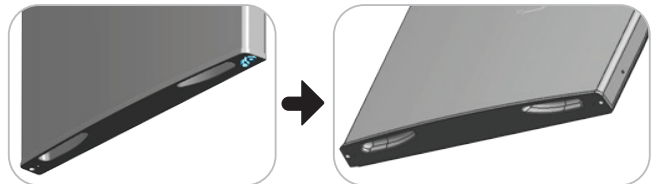
Ovaj uređaj nije namenjen za upotrebu u garažama, kao ni za postavljanje na otvorenom. Ne prekrivajte uređaj. Prilikom postavljanja, proverite da li je sa obe strane uređaja ostavljen razmak širine 10 cm, kao i 10 cm od zadnje i 30 cm od gornje površine uređaja. Na ovaj način ćete omogućiti cirkulisanje hladnog vazduha oko vinske vitrine i poboljšati efikasnost postupka hlađenja.

3. Premestite gornju šarku i gornji graničnik za vrata, kao i nosač vrata na drugu stranu.

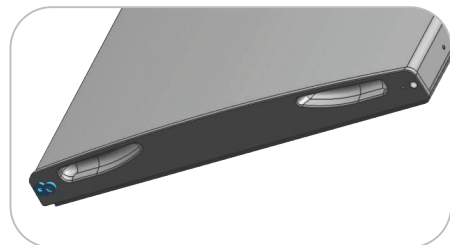
A. Skinite navrtku sa nosačem. Skinite podlošku, a zatim premestite osovinu na drugu stranu i pričvrstite je.



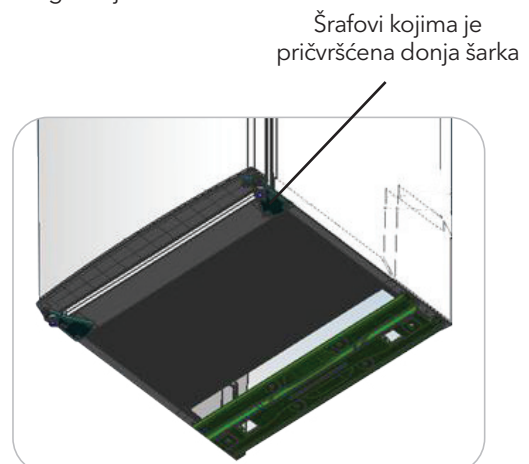
B. Skinite graničnik za vrata



C. Molimo Vas da pripremite drugi graničnik za vrata i da ga šrafova pričvrstite za vrata

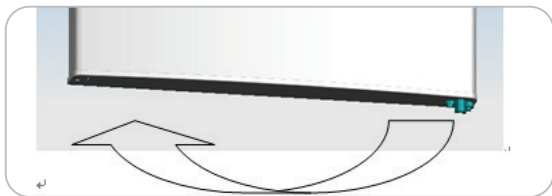


4. Skinite šrafove kojima je pričvršćena donja šarka pomoću krstastog odvijača.

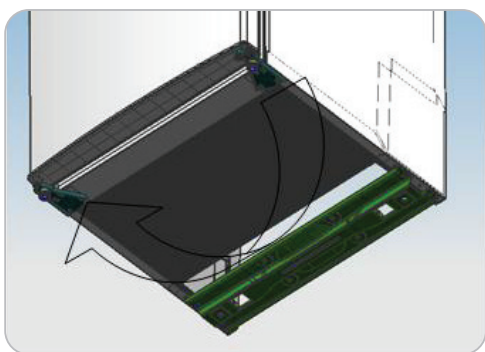


Napomena: ugao nagnjanja frižidera-zamrzivača je manje od 45°.

5. Promenite stranu donjem nosaču vrata i graničniku.



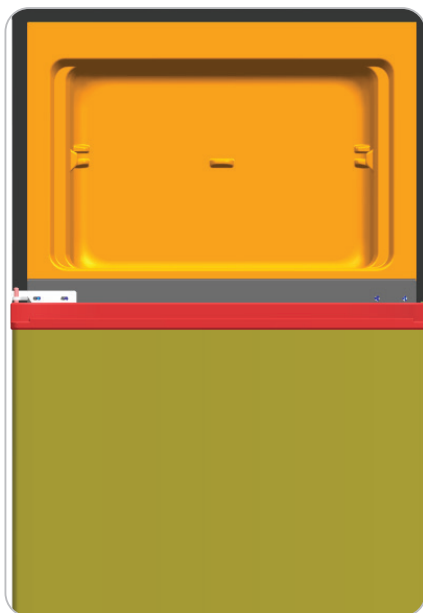
6. Premestite donju šarku na drugu stranu, a zatim je pričvrstite šrafovim.



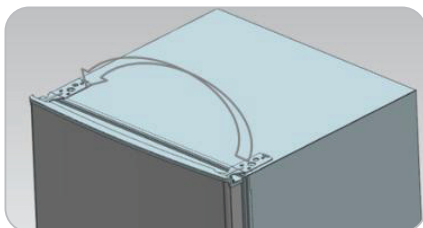
7. Premestite središnju šarku.



8. Postavite donja vrata u odgovarajuću poziciju i pričvrstite središnju šarku.



9. Premestite gornju šarku.



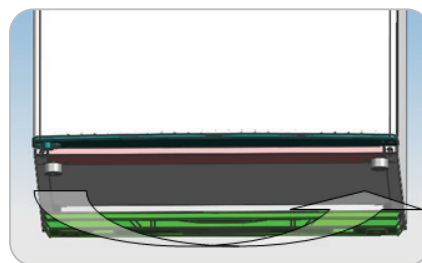
10. Postavite gornja vrata u odgovarajuću poziciju, pričvrstite gornju šarku i poklopac.



11. Postavite četiri kapice za šrafove i dve reze na odgovarajuća mesta.

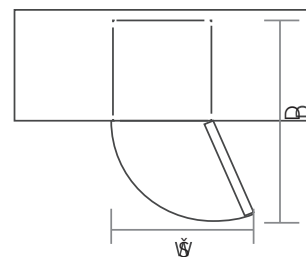
- Uverite se da je uređaj isključen iz struje i ispražnjen.
- Dve nožice za nivelisanje podesite na najvišu poziciju.
- Preporučujemo Vam da ovo ne radite sami.

12. Prebacite nivelator na drugu stranu i podesite ga tako da budete sigurni da je uređaj iznivelisan.



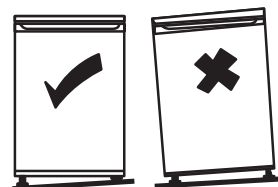
Potreban prostor za vrata

Potrebno je ostaviti dovoljno prostora za potpuno otvaranje vrata uređaja na način prikazan na slici. $\text{Š} \times \text{D} \geq 902 \times 1052 \text{ mm}$



Nivelisanje uređaja

Obavlja se podešavanjem dve nožice za nivelisanje, koje se nalaze na prednjoj strani uređaja. Ukoliko uređaj nije iznivelisan, vrata i magnetna zaptivka neće pravilno prijanjati. Pre upotrebe proverite da li nožica dodiruje podlogu. Gledano odozgo, okrećite u smeru kretanja kazaljke na satu ili u smeru suprotnom od kretanja kazaljke na satu radi otpuštanja ili zatezanja.



Čišćenje pre upotrebe

Unutrašnjost uređaja prebrišite slabim rastvorom sode bikarbone. Zatim isperite toplom vodom pomoću sundera ili krpe koju je moguće cediti. Police i odeljak za salate operite toplom vodom sa sapunicom i potpuno ih osušite pre ponovnog postavljanja u uređaj. Spoljašnji deo uređaja očistite vlažnom krpom. Ukoliko Vam je potrebno više informacija, pogledajte odeljak Čišćenje.

Pre upotrebe uređaja

Kako biste osigurali bezbednost prilikom upotrebe, ni pod kojim uslovima ne oštećujte kabl za napajanje i ne upotrebljavajte uređaj ukoliko je kabl za napajanje oštećen ili ukoliko je utikač istrošen.

Da biste sprečili oštećenja proizvoda ili pojavu požara, ne stavljajte u frižider zapaljive, eksplozivne i isparljive predmete, kao ni predmete koji lako korodiraju.

Da biste izbegli pojavu požara, ne stavljajte zapaljive predmete blizu frižidera.

Ovaj proizvod je frižider namenjen za upotrebu u domaćinstvima i pogodan je isključivo za čuvanje hrane. Prema nacionalnim standardima, frižideri namenjeni za upotrebu u domaćinstvima se ne smeju koristiti ni u kakve druge svrhe, kao što su skladištenje krvi, lekova ili bioloških proizvoda.

Ne stavljajte u zamrzivač predmete kao što su flaširane tečnosti ili tečnosti u zaptivenim sudovima, poput flaširanih

piva i pića, kako biste izbegli njihovo pucanje i drugu štetu. Pre nego što u svoj uređaj stavite bilo kakvu hranu, uključite ga i sačekajte 24 sata, kako biste bili sigurni da radi na odgovarajući način i kako biste mu ostavili dovoljno vremena da temperaturu spusti na odgovarajuće vrednosti. Uređaj ne treba prepunjavati.



• Pre povezivanja na struju

Morate proveriti da li imate utičnicu kompatibilnu sa utikačem dostavljenim uz uređaj.

• Pre nego što uključite uređaj!

Uređaj ne uključujte bar dva sata nakon njegovog prenošenja.

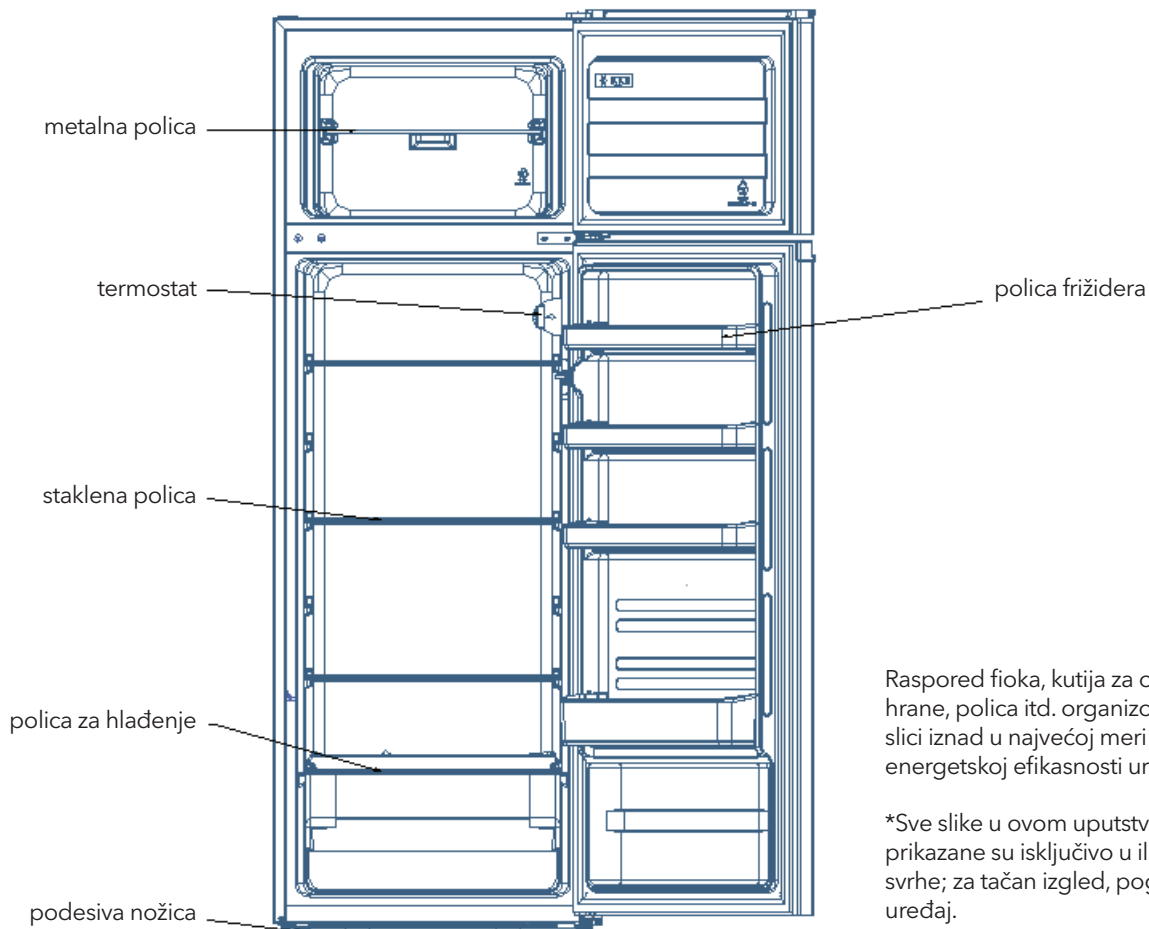
Unutrašnji prateći elementi

Vaš uređaj sadrži različite staklene ili plastične police za odlaganje - kombinacije se razlikuju zavisno od modela. Jednu od staklenih policica za odlaganje, koja zahvata kompletnu površinu uređaja, treba uvek kliznim pokretom ubaciti u najniže vodice, iznad odeljaka za voće i povrće, i ostaviti je na tom mestu. Ovo uradite tako što ćete povući policicu za odlaganje ka napred, do položaja u kome je moguće njeno rotiranje ka gore ili dole i uklanjanje. Da policicu postavite na neku drugu visinu, pratite gore navedene korake, samo obrnutim redosledom.



Kako biste maksimalno iskoristili zapreminu odeljka za čuvanje sveže hrane i odeljka za čuvanje smrznute hrane, možete ukloniti jednu ili više policica i fioka iz uređaja, zavisno od Vaših svakodnevnih potreba.

PRIKAZ PROIZVODA



Raspored fioka, kutija za odlaganje hrane, policica itd. organizovan prema slici iznad u najvećoj meri doprinosi energetske efikasnosti uređaja.

*Sve slike u ovom uputstvu za upotrebu prikazane su isključivo u ilustrativne svrhe; za tačan izgled, pogledajte svoj uređaj.

RAD UREĐAJA

Uključivanje uređaja

- Dugme za izbor temperature nalazi se na desnom zidu, u unutrašnjosti frižidera
 Podešavanje na „Isključeno“ (Off): Uređaj je isključen
 Podešavanje na „Min“: Manja jačina hlađenja
 Podešavanje na „Med“: Normalan rad (odgovara većini situacija)
 Podešavanje na „Max“: Najjače hlađenje
- Pri visokim sobnim temperaturama, npr. tokom vreljih letnjih dana. Može biti potrebno da se termostat podesi na Najjače hlađenje (pozicija „Max“). Ovo za rezultat može imati neprekidan rad kompresora u cilju održavanja niske temperature u uređaju.
- Prilikom inicijalnog postavljanja frižidera, dugme termostata podesite na „Med“.
 Pre nego što počnete da ubacujete hranu, ostavite frižider da se potpuno ohladi. Najbolje je sačekati 24 sata pre stavljanja hrane u frižider. Dugmetom termostata se kontroliše temperatura. Ukoliko je kontrolno dugme termostata podešeno na ISKLJUČENO (OFF), frižider neće raditi.

Buka unutar uređaja!

Možda ćete primetiti da Vaš uređaj pravi određene neobične zvuke. Većina pomenutih zvukova je savršeno normalna, ali je potrebno da ih budete svesni!

ČIŠĆENJE

Otapanje

Automatsko odmrzavanje za frost-free frižider

Čišćenje unutrašnjosti i spoljašnjosti jedinice

- Da biste unapredili efekat hlađenja i uštedu energije, redovno čistite prašinu iza frižidera i sa podloge.
- Redovno proveravajte zaptivku na vratima kako biste bili sigurni da na njoj nema prljavštine. Očistite zaptivku na vratima mekom krpom navlaženom vodom sa sapunicom ili razblaženim deterdžentom.
- Da izbegnete stvaranje neprijatnih mirisa, redovno čistite unutrašnjost frižidera.
- Pre nego što započnete sa čišćenjem unutrašnjosti frižidera, isključite ga iz struje, uklonite svu hranu, pića, police, fioke, itd.
- Za čišćenje unutrašnjosti frižidera koristite mekanu krpu ili sunder sa dve supene kašike sode bikarbone i četvrtinu litre tople vode. Zatim isperite vodom i obrišite. Nakon čišćenja, otvorite vrata i, pre nego što uređaj priključite na napajanje, ostavite ga da se prirodno osuši.
- Za čišćenje teško dostupnih delova frižidera (poput uskih otvora, proreza ili uglova), preporučuje se redovno brisanje mekom krpom, mekom četkom, itd., po potrebi u kombinaciji sa nekim pomoćnim alatom (poput tankih štapića), čime se na pomenutim mestima sprečava akumuliranje kontaminanata ili bakterija.
- Ne upotrebljavajte sapun, deterdžent, prah za čišćenje,

Zvukovi nastaju usled cirkulisanja tečnog rashladnog sredstva unutar sistema za hlađenje. Ovo je postalo izraženije nakon uvođenja gasova koji ne sadrže hloroflorougljenike (HFU). Ovo ne predstavlja grešku i neće uticati na rad Vašeg uređaja. Radi se o zvuku rada motora kompresora tokom pumpanja rashladnog sredstva kroz sistem.

Saveti za čuvanje hrane u uređaju

- Termički obrađeno meso/ribu treba uvek odlagati na polici iznad sirovog mesa/ribe kako bi se izbeglo rasejavanje bakterija. Sirovo meso/ribu držite u posudi koja je dovoljno velika da zadrži sokove mesa i adekvatno je poklopite. Posudu stavite na najnižu policu.
- Ostavite razmak između hrane kako biste omogućili cirkulisanje vazduha unutar uređaja. Uverite se da su svi delovi uređaja rashlađeni.
- Kako biste sprečili poprimanje mirisa i sušenje, hranu zasebno pakujte ili poklapajte. Voće i povrće nije potrebno uvijati.
- Hranu koja je prethodno termički obrađena uvek ostavite da se ohladi pre nego što je stavite u uređaj. Na ovaj način potpomažete održavanju unutrašnje temperature uređaja.
- Kako biste sprečili rasipanje hladnog vazduha iz uređaja, pokušajte da ograničite broj otvaranja vrata uređaja. Preporučujemo Vam da vrata otvarate samo kada je potrebno staviti hranu u uređaj ili je izvaditi iz njega.

Zamena sijalice

Zamenu sijalice treba da obave stručne osobe

sredstva za čišćenje u spreju, itd., jer pomenuta sredstva mogu dovesti do stvaranja neprijatnih mirisa u unutrašnjosti frižidera ili kontaminiranja hrane.

- Policu za flaše, police i fioke očistite pomoću meke krpe navlažene vodom sa sapunicom ili razblaženim deterdžentom. Osušite mekom krpom ili ostavite da se prirodno osuši.
- Spoljašnje površine frižidera prebršite mekom krpom navlaženom vodom sa sapunicom, deterdžentom, itd., a zatim osušite krpom.
- Ne upotrebljavajte tvrde četke, čelične žice za čišćenje, žičane četke, abrazivna sredstva (poput pasta za zube), organske rastvarače (poput alkohola, acetona, ulja banane itd.), ključalu vodu ili kisela ili alkalna sredstva, koja mogu da oštete površine i unutrašnjost frižidera. Ključala voda i organski rastvarači, poput benzena, mogu da deformišu ili oštete delove od plastike.
- Tokom čišćenja, uređaj nemojte direktno ispirati vodom ili drugim tečnostima, kako biste izbegli nastanak kratkog spoja ili oštećenja na materijalima koji pružaju električnu izolaciju nakon potapanja.

Saveti za čišćenje

Na spoljašnjosti uređaja može doći do formiranja kondenza. Razlog ovome može biti promena vrednosti sobne temperature. Vlažne delove obrišite. Ukoliko ovaj problem nastavi da se javlja, za pomoć se obratite kvalifikovanom tehničkom licu.

ODRŽAVANJE

Zamena unutrašnjeg osvetljenja
Zamenu sijalice treba da obave stručne osobe.

**Opresz prilikom rukovanja / prenošenja
Vašeg uređaja**

Prilikom prenošenja, uređaj pridržavajte oko bočnih strana ili za osnovu. Uređaj ni pod kojim uslovima ne treba podizati držeći ga za ivice gornje površine.

Servisiranje

Servisiranje uređaja treba da obavi ovlašćeno tehničko

lice, koje će tom prilikom koristiti isključivo originalne rezervne delove. Popravku uređaja ni pod kojim uslovima ne pokušavajte da obavljate sami. Popravke koje obavljaju osobe bez iskustva za rezultat mogu imati povređivanje ili ozbiljan kvar. Obratite se kvalifikovanom tehničkom licu.

Isključivanje uređaja tokom dužeg vremenskog perioda

Kada uređaj ne upotrebljavate tokom dužeg vremenskog perioda, isključite ga iz struje, ispraznite ga od hrane i očistite, a vrata delimično otvorite kako biste sprečili stvaranje neprijatnih mirisa.

OTKLANJANJE PROBLEMA

Korisnik može da sam reši jednostavne probleme navedene dalje u tekstu. Ukoliko probleme ne uspete da razrešite, pozovite sektor za usluge održavanja.

Uređaj ne radi	Proverite da li je zamrzivač uključen u struju; Nizak napon; Nestanak struje ili iskakanje osigurača
Mirisi	Hranu koja odaje jače mirise treba dobro uviti; Proverite da li se hrana pokvarila; Proverite da li je potrebno očistiti unutrašnjost uređaja.
Dugotrajan rad kompresora	Normalno je da frižider duže radi tokom leta, kada je spoljašnja temperatura viša; Ne stavljajte u zamrzivač previše hrane odjednom; Ne stavljajte hranu u uređaj dok se prethodno ne ohladi; Često otvaranje vrata frižidera.
Lampica ne svetli	Proverite da li je frižider priključen na struju, proverite da li je lampica oštećena.
Vrata frižidera se ne mogu zatvoriti na odgovarajući način.	Ambalaža sa hranom blokira vrata zamrzivača; Prevelika količina hrane; Frižider je nagnut.
Glasni zvuci	Proverite da li je hrana iznivelisana i da li je frižider uravnotežen; Proverite da li su delovi frižidera postavljeni na odgovarajući način.

Saveti

- Tokom rada, naročito u letnjim mesecima, kućište frižidera može da emituje toplotu nastalu usled zračenja kondenzatora, što predstavlja uobičajeni fenomen.
- Kondenzacija: kondenz će se formirati na spoljašnjim površinama i zaptivkama na vratima zamrzivača pri uslovima visokog stepena vlage u prostoriji. U pitanju je normalni fenomen, a kondenz se može obrisati suvom krpom.
- Zujanje: U toku rada, kompresor će zujati, posebno prilikom uključivanja ili isključivanja.

INFORMACIJE U VEZI SA UŠTEDOM ENERGIJE

Energetska upozorenja

1. Uređaji za rashlađivanje mogu postati nepouzdati tokom rada (moguće otapanje sadržaja ili razvijanje previsoke temperature u odeljku za smrznutu hranu) ukoliko se tokom dužeg vremenskog perioda drže na temperaturama nižim od vrednosti radnog temperaturnog opsega navedenog za dati uređaj za rashlađivanje.
2. Gazirana pića ne treba držati u odeljcima ili komorama za zamrzavanje ili u odeljcima ili komorama sa niskim temperaturnim vrednostima, dok određene proizvode, poput leda, ne treba konzumirati kada su preterano hladni;
3. Neophodno je povesti računa da se prilikom čuvanja bilo kog tipa hrane koja se drži u zamrzivaču ili odeljcima ili komorama za zamrzavanje hrane, a posebno komercijalne brzo smrznute hrane, ne prekorači rok trajanja preporučen od strane proizvođača hrane.
4. Neophodno je preduzeti mere predostrožnosti radi sprečavanja nepotrebnog rasta temperature unutar smrznute hrane prilikom otapanja uređaja za rashlađivanje, poput uvijanja smrznute hrane u nekoliko slojeva novinske hartije.
5. Porast temperature unutar smrznute hrane tokom ručnog otapanja, održavanja ili čišćenja može da skрати njen rok trajanja.

ODLAGANJE

Stari uređaji i dalje imaju određenu rezidualnu vrednost. Primenom načina odlaganja kojim se štiti životna sredina omogućićete ponovno iskorišćenje i upotrebu vrednih sirovina. Rashladno sredstvo koje se upotrebljava u okviru Vašeg uređaja i izolacioni materijali zahtevaju primenu posebnih procedura za odlaganje. Pre nego što ga odložite, uverite se da nijedna cev na zadnjem delu uređaja nije oštećena. Ažurirane podatke o opcijama za odlaganje Vašeg starog uređaja i ambalaže novog uređaja možete dobiti u kancelarijama Vaših lokalnih vlasti.

Prilikom odlaganja starog uređaja, slomite sve stare brave ili kvake i uklonite vrata kao meru predostrožnosti.

Pravilno odlaganje ovog proizvoda



Pravilno odlaganje ovog proizvoda

Ova oznaka ukazuje da u EU ovaj proizvod ne treba odlagati zajedno sa ostalim otpadom iz domaćinstva. Kako biste sprečili potencijalnu štetu po životnu sredinu ili zdravlje ljudi nastalu nekontrolisanim odlaganjem otpada, odgovorno ga reciklirajte kako biste promovisali održivu ponovnu upotrebu materijalnih resursa. Molimo Vas da svoj polovni uređaj vratite putem sistema za vraćanje i prikupljanje otpada ili da kontaktirate prodavnicu u kojoj ste proizvod kupili. Ovim putem se proizvod može reciklirati na način bezbedan po životnu sredinu.

Za dodatne informacije, kontaktirajte svoje lokalne vlasti ili prodavnicu u kojoj ste proizvod kupili.

Tabela 1. Klimatske klase

Klasa	Simbol	Raspon sobne temperature °C
Prošireno umerena	SN	+ 10 do + 32
Umerena	N	+ 16 do +32
Suptropska	ST	+ 16 do + 38
Tropska	T	+ 16 do + 43

Prošireno umerena: „ovaj uređaj za rashlađivanje je namenjen za upotrebu pri ambijentalnim temperaturama koje se kreću u opsegu od 10°C do 32°C“;

Umerena: „ovaj uređaj za rashlađivanje je namenjen za upotrebu pri ambijentalnim temperaturama koje se kreću u opsegu od 16°C do 32°C“;

Suptropska: „ovaj uređaj za rashlađivanje je namenjen za upotrebu pri ambijentalnim temperaturama koje se kreću u opsegu od 16°C do 38°C“;

Tropska: „ovaj uređaj za rashlađivanje je namenjen za upotrebu pri ambijentalnim temperaturama koje se kreću u opsegu od 16°C do 43°C“;

TESLA

tesla.info