

TESLA



HS500GF PRO FLEX

User Manual

ENG BIH/CG BG ESP FR GER GR
HU MK PT RO SLO SRB

CORDLESS VACUUM CLEANER

Household Use only.
Read this instruction manual carefully before using.

IMPORTANT WARNINGS

PLEASE READ THE SAFETY INSTRUCTIONS CAREFULLY BEFORE USE AND KEEP FOR FUTURE REFERENCE.



Safety instructions:

- **The battery must be removed safely.**
- Do not use near stairs or on the balconies. This machine does not have a no avoidance sensors.
- This unit can be used by children from 8 years old and people with physical, sensory or mental skills or lack of experience and knowledge provided they have been placed under supervision or have received instructions for using the machine safely and that they understand the dangers. Children should not play with the appliance. The cleaning and maintenance by the user should not be made by children without supervision.
- This device is intended for domestic use only. This unit is suitable for low to medium felt back carpets. It is not suitable for uneven floors or mixed carpets.
- Remove side brush at the under-carpet cleaning to protect the side brush.
- If the adapter's power cord is damaged, the adapter must be discarded.
- Recharge / battery / s only with the charger supplied by the manufacturer
- Use the device with the battery (S) specifically created (S) for this purpose. The use of any (S) other (S) battery (S) could cause an explosion or fire
- Please use an adapter to use this product only.
- Do not use on wet or greasy dust.
- Before use, keep fragile items (glass, light, etc.) and other objects that could entangle the brushes (long hair, plastic bags, rope, wire, etc.).
- Do not sit on the machine and do not put heavy things on it.
- **WARNING:** Make sure the unit can function freely in the room (it is not blocked by an obstacle, it cannot fall over) and that there is no obstacle on which the device may tip and create a risk of danger (such as lighted candles or a vase filled with water).
- Regularly clean the machine.
- Empty the dust container.
- Load the machine without using it for three months.
- Recharge only in the situation of a low power alarm or when the power is turned off. Use it after fully charged.
- The battery must be removed from the apparatus prior to its disposal; the device must be disconnected from the mains when removing the battery;
- Do not dispose of batteries with household waste. Eliminate them in accordance with local regulations.
- Recharge the battery / the robot only with the adapter provided with the device.
- The cable of this adapter external flexible cannot be replaced; in case of damage to the cord, it is necessary to put the adapter discarded and replaced by an adapter of the same model.
- The appliance must be disconnected from the supply mains when removing the battery.
- This appliance contains battery that are replaceable.
- **WARNING:** For the purposes of recharging the battery, only use the defacable supply unit provided with this appliance.



Detachable supply unit

- **WARNING:** Risk of entrapment hazard. Keep loose clothing, hair, finger, etc. away from the motorized brushes and nozzles.
- **WARNING:** the plug must be removed from the socket-outlet before cleaning or maintaining the appliance.

IMPORTANT

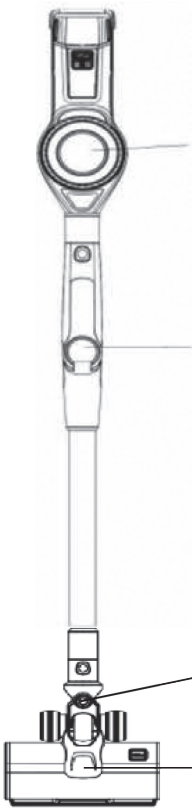
It is forbidden to replace the power cable by yourself if damage.

If the device is dropped, please ask a qualified person to check it before using it again. Internal damage could cause accidents.

For any kind of problems or repairs, please contact the customer service of the local distributor, manufacturer or a qualified person to avoid danger.

DESCRIPTION OF THE DEVICE

Product overview



Vacuum cleaner with centrifugal technology with air-filtering sponge

Double filtration, high efficiency cleaning, to achieve the best dust removal effect.

High-quality aluminum tube, light corrosion-resistant

Overlength design, easy to deal with high places, cracks and other difficult corners.

Flexible rotation, convenient operation.

Free rotation, effective removal of dirt.

Electric floor brush

For easy cleaning of all types of floors as well as thick woollen carpets to remove all types of dirt.

Engine block

Indicator lamp

Product work,
electricity indication.

Speed regulator

Control the speed as
users' request

Switch button

It can rapidly start/stop
the vacuum cleaner
as needed, saving
electricity.

Soft handle

High quality texture,
resistance to wear
and tear.

Lock button

Flexible combination of
various accessories,
more convenient
operation.

Transparent dust barrel

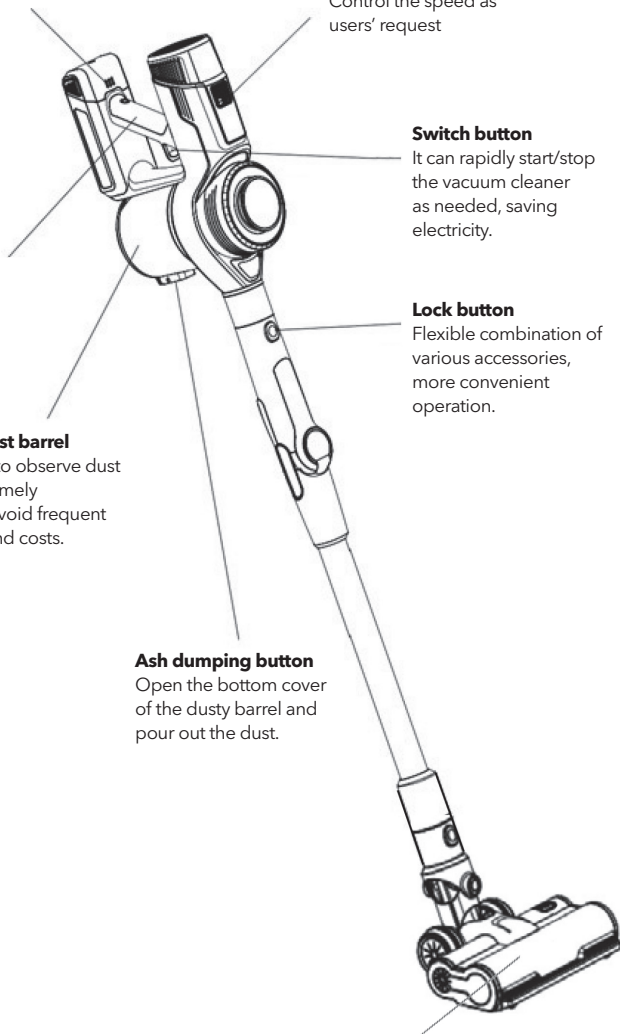
It is convenient to observe dust
collection and timely
processing, to avoid frequent
filter changes and costs.

Ash dumping button

Open the bottom cover
of the dusty barrel and
pour out the dust.

Electric brush

For easy cleaning of all types
of floors as well as thick
woollen carpets to remove
all types of dirt.



Electric brush

Flexible rotation, convenient operation.

Free rotation, effective removal of dirt.

LED lamp

It is convenient to observe dark dust, so that clean the dust without blind spots.

Rolling brush cavity

Optimized design of brush cavity, helps to improve the dust removal rate.

Dust strip

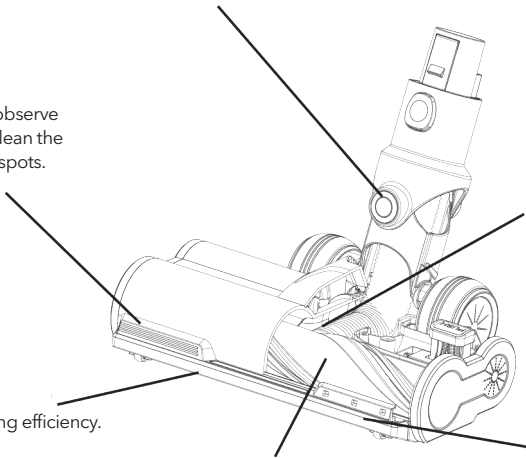
Improve cleaning efficiency.

Nylon brush

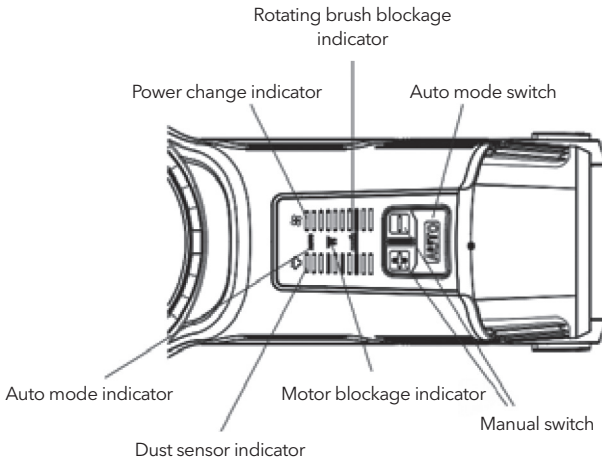
Double layer fine nylon brush, easy to deal with dirt between short wool carpet and floor seam.

Collision buffer strip

Wear-resistant and environ mentally friendly, this tape protects your



Dust sensor



Power change indicator:

This is an option when "AUTO MODE" is on to see the power level change.

Rotary brush lock indicator:

Indicator indicates that the motor brush in the pedal is blocked or not working. Recommendation to release the brush for normal operation or clean it.

Automatic mode switch:

With this switch you can turn "AUTO MODE" on or off. Vacuum cleaner operation. In "Auto Mode" it means that the vacuum cleaner works at one strength of suction power and when it draws in a large amount of dust and it passes over the sensor, it detects that dust and increases the suction power while the sensor detects that there is no more dust and returns to the previous strength of suction power.

Auto mode indicator:

This is an indicator that the "AUTO MODE" cleaning mode is on/off.

Dust sensor indicator:

When the indicator turns on more than half of the lights, it is necessary to clean the upper HEPA filter. Ignoring the led indicator can lead to side effects: clogged Hepa filter, weakening of the suction power, destruction of the engine.

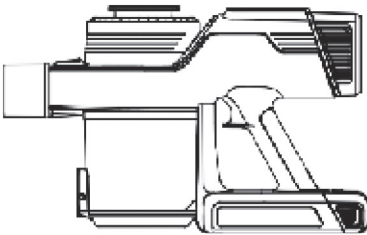
Engine lock indicator:

This is an indicator when the air supply is blocked, the air flow to the engine is obstructed or interrupted on the path of the floor brush, pipe, dust container, metal filter, TOP HEPA filter, Back HEPA filter).

Manual switch:

These switches (+, -) are used to adjust the suction power, there are five power levels.

PACKAGING CONTENTS



Main body



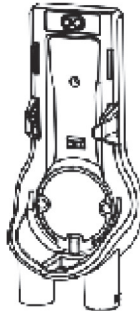
Electric brush



2in1 dusting brush



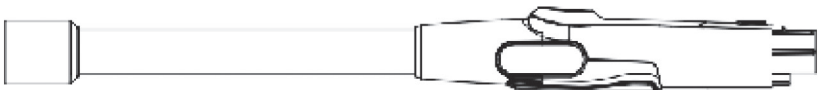
Crevice tool



Charging deck



Charger



Long aluminium tube with flexible hose

Due to the continuous improvement of the product, the above configuration will vary according to the model. We reserve this right. The right to explain is owned by the company.

INSTRUCTIONS FOR USE

Installation instructions for aluminum tubes

- Push the end of the aluminum tube horizontally into the vacuum hole of the main machine to ensure that it is compact and not loosened, and that the installation is successful after the sound of clacking is heard. (figure 1)
- To remove the aluminum tube, hold the main body with one hand and pull it out with the other hand pressing the button. (figure 2)

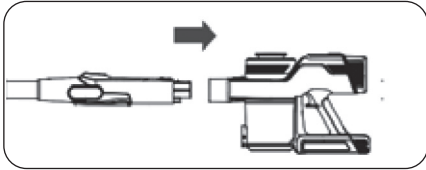


Figure 1

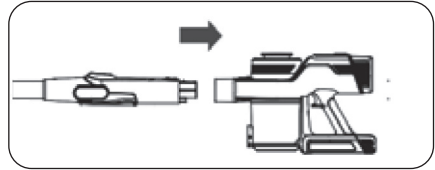


Figure 2

The electric brush installation instructions

- Push one end of the round brush mouth into the tube end of the air outlet to ensure it is tight and not loose; if the sound is heard, it is installed successfully (Figure 3).
- If you want to remove the brush, the brush is held in one hand, and the button is pressed by the other hand simultaneously, and the brush will be pulled out. (Figure 4)
- Electric brush can also use the method of aluminum tube connection, and directly be installed on the host.



Figure 3



Figure 4

Accessories

Instructions for using the accessories

In addition to using the aluminium tube and the electric brush, you can use a 2- in-1 brush and the long nozzle to adapt the product to all situations (Fig. 5) :

- 2 in 1 brush
It is suitable for cleaning small room, gap or irregular object surface, such as wall corner, alloy window frame gap, home appliance interior, drawer, car cushion, picture frame, ceiling, keyboard, etc.
- The long nozzle
It is suitable for inconvenient cleaning corners, such as corner, gap, etc.

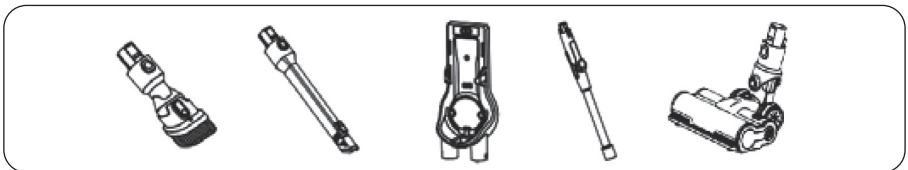


Figure 5 (Accessory)

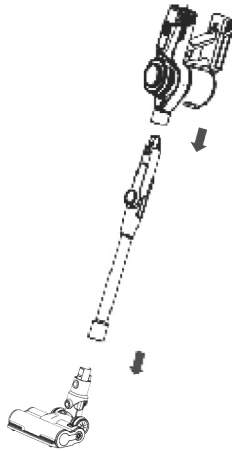


Figure (6, 7)

The accessories can be inserted in 2 different ways: directly at the end of the flexible tube (Mode 1) or at the end of the motor block (Mode 2).

Mode 1: Take the long nozzle attachment, insert it into the end of the aluminium tube until you hear a click that confirms installation. To remove it, pull directly on it.

Take the 2 in 1 brush accessory and do the same manipulation: insert it into the end of the aluminium tube until you hear a click that confirms installation.

To remove it, pull directly on it. (Figure 6 and 7)

Mode 2: To insert the accessories directly to the engine block, repeat the operation (Figure 8 and 9).

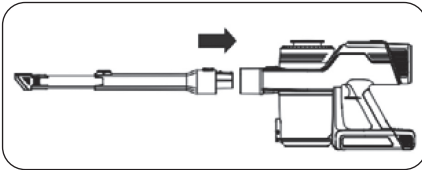


Figure 8

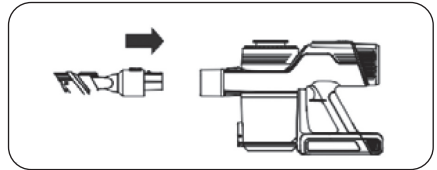


Figure 9

Battery installation instructions

Install the battery into the machine in the direction of (Fig.10) and install it as (Fig.11) to ensure no loosening. If the sound is heard, it has been installed successfully.

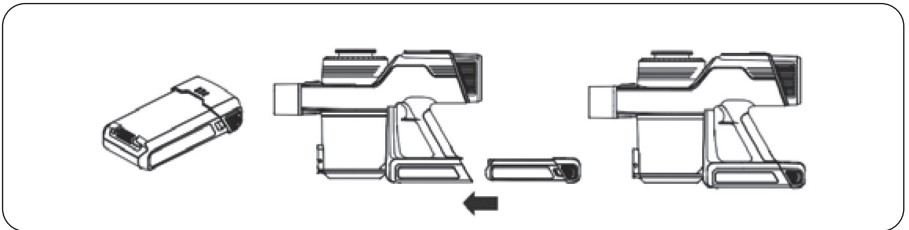


Figure 10

Figure 11

ATTENTION:

For long term use, keep the battery in a cool and dry place, and leave the battery in a semi-charged state. Please wrap the battery with non-conductive material to avoid direct contact with the battery which may cause damage to the battery.

Usage

1. Preparation

Before use, please install the battery and check whether it is charged. If it is not, please charge it in time (refer to "charging the product"), it can be used after recharging. According to the cleaning area, the accessories can be chosen according to the demand. The company has been specially equipped with various accessories. According to the clean area, the use can be chosen according to the clean area. (refer to the "Operation Instructions Annex" for more details)

2. Starting work

Press the "switch button", touch the button, the machine will start to work, if you need to stop working, loosen the "switch button". (Figure 12)

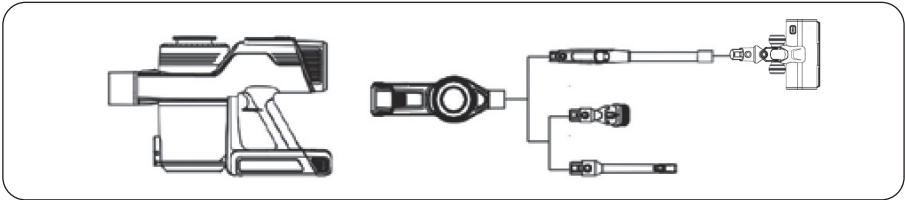


Figure 12

3. Product dumping ash

After stopping the machine, tap the dust tray on the side of the dust-barrel (Fig. 13) Open the cover, dump the dust, and close the dust-barrel cover. (Fig. 14)

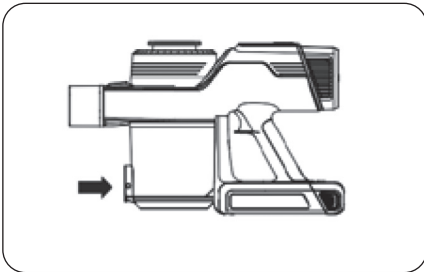


Figure 13

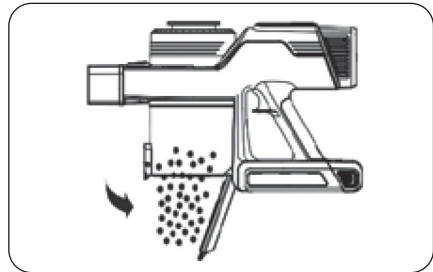


Figure 14

4. Disassemble the filter core

Rotate and remove the dust tray, you have access to the stainless steel filter, turn it to remove it. Do the reverse to replace the stainless steel filter and the dust pan. (Fig. 15)

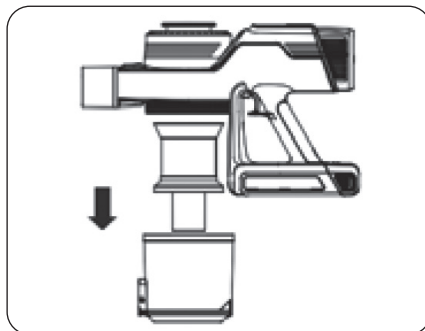


Figure 15

Remove the filter element in the direction indicated by the arrow. (Fig. 16)

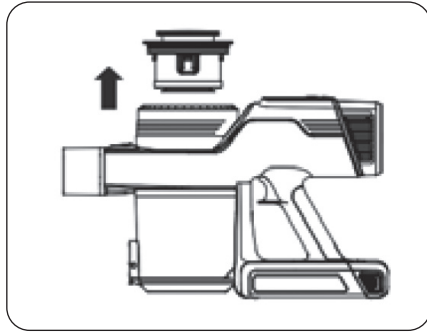


Figure 16

5. Product charging

Connect the charger directly to the vacuum cleaner or charging station (Figure 17) and the other end to a wall outlet in your home. (Figure 18)

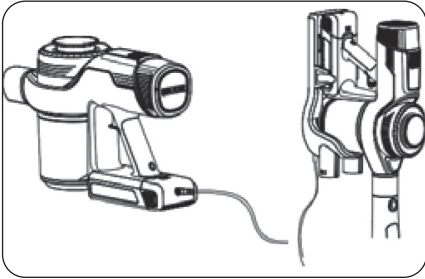


Figure 17

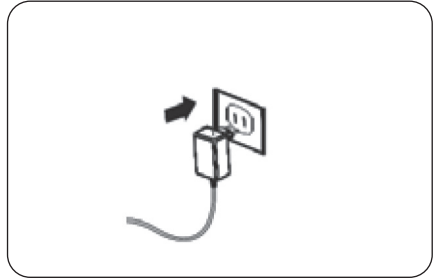


Figure 18

About charging indicator

In operation: the light is illuminated continuously.

Partially charged: LED flashes.

Fully charged: the light is illuminated continuously.

NOTE

- After the product leaves the factory every 3 months (in the case of conditions), please use our special charger to charge the battery for 3 hours (do not need to be fully charged).
- Do not charge the battery for a long time, if you are still charging beyond normal charging time, please stop immediately, otherwise there may be risks such as battery heating, deformation or burning.
- When the battery is not in service for a long time or when it is in deep discharge, it may decrease in the first few times. It is recommended to discharge fully after charging (usually more than 6 hours). It is only need to repeat the action twice.

CLEANING AND MAINTENANCE

In order not to affect the performance of the machine, it is recommended that you maintain its components on a regular basis.

Before cleaning the main body (the engine block) (the holding section), make sure the machine stops working and the product is not in recharging.

Scrub with water or neutral detergent. Before scrubbing, ensure the cloth is dry. Do not infiltrate water into the internal parts of vacuum cleaners (Fig. 19) After cleaning, do not to put it under the direct sunlight or in wet place.

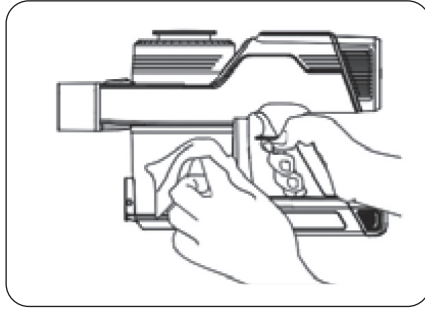


Figure 19

Cleaning dust barrel

Once the amount of dust reaches the "MAX" value, please clear it as soon as possible and do not overfill it.

In order to make it easier to empty the dustbin, it is recommended that you remove the aluminum pipe or other accessories before cleaning.

After the machine is stopped, open the dust barrel cover and dump the dust. If any stubborn dirt is found in the inner wall of the dust barrel, please wipe it carefully with a wet rag.

After cleaning, close the dust barrel cover and make sure the lock button is in place.

NOTE After wiping the inner wall of the dust barrel with wet rag, it is necessary to be placed under the sun, and then cover the dust barrel after thoroughly drying.

Cleaning the outlet filter

In order to ensure the performance of the product, it is recommended that you regularly clean it and replace it after 3-6 months. (depending on the usage), press and hold down the dust barrel release button, remove the body and turn the cover, remove the sponge, and dust off the sponge filter. (see Fig. 16)

If dust is accumulated too much, wash it thoroughly and dry it before loading it into the main body.

NOTICE! During washing the sponge filter, use cold water and dry it thoroughly (usually in sunlight for 24 hours, then put it back into the body).

Cleaning brush

It is recommended that the brush be cleaned once after 4-5 times of operation with electric brush:

1. Turn off the power and remove the electric brush.
2. Flip the brush and turn the lock button on the fixed cover with a coin to open the lock. (Figure 20)
3. Remove the roller brush to fix the cover plate, lift one end of the roller brush and pull out the roller brush. (Figure 21)
4. Use a pair of scissors or other sharp instrument to remove tangled animal hair and other waste (Figure 22).
5. When the cleanup is complete, push one end of the rolling brush into the floor brush and then clip the other end into the floor brush. (Figure 23)
6. Cover the cover and lock it.

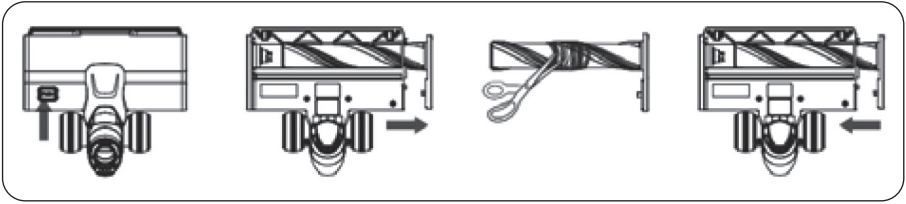


Figure 20

Figure 21

Figure 22

Figure 23

Sorting and storage

Charging deck storage: easy to take, saving space. (Figure 24)

Accessory storage: easy to take, easy to collection. (Figure 25)

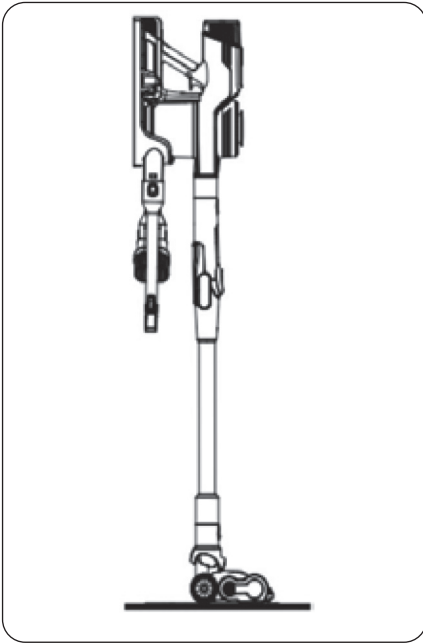


Figure 24

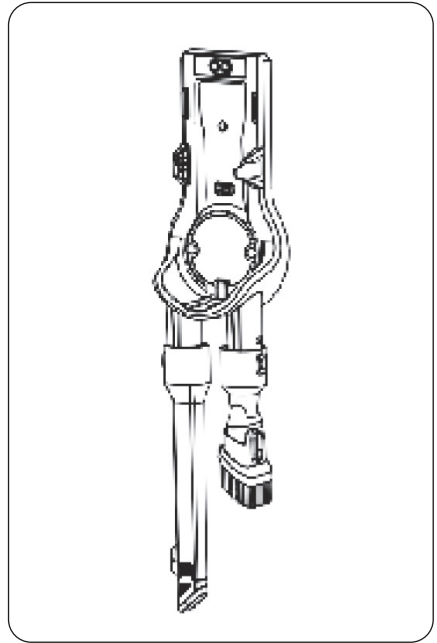


Figure 25

TROUBLESHOOTING

Analysis and treatment of common faults.

Problem	Possible cause	Solution
Vacuum cleaner doesn't work.	The product has no electricity or insufficient power.	Please use it after the product is full of electricity.
	The vacuum opening was blocked.	Clean up the vacuums opening.
Product suction decreases.	The dust barrel, filter components are full of dust.	Clean out dust barrel and filter materials.
	The rolling brush is entangled with hair, etc.	Clean up the rolling brush.
	After excluding the above situation, the situation remains the same.	Please contact our after-sales service for maintenance.
The motor operates with abnormal sound.	The main suction pipe or aluminum pipe is blocked.	Clear the obstacles inside the main suction pipe, aluminum pipe.
	After excluding the above situation, the situation remains the same.	Please contact our after-sales service for maintenance.
The product cannot be recharged.	The main computer and charger interface is not well connected.	Please check and connect it well.
	After excluding the above situation, the situation remains the same.	Please contact our after-sales service for maintenance.

If above steps are not able to work properly with your device, please contact our after-sales service department for help.

TECHNICAL SPECIFICATIONS

	Technical parameter
Working voltage (V)	25.2 V
Rated power (W)	400 W
Battery capacity (mAh)	2500 mAh
Dust barrel capacity (L)	0.6 L
Once charging time (h)	Between 3 to 5 hours
Continuous operating time (min)	Up to 60 min
Product dimension (mm)	369 x 125 x 227mm
Net weight (kg)	2.65 kg

DISCLAIMER OF WARRANTY

The warranty does not cover the wear parts of the product, nor the problems or damage resulting from:

1. surface deterioration due to normal wear and tear of the product;
2. defects or deterioration due to contact with liquids and corrosion caused by rust or the presence of insects;
3. any incident, abuse, misuse, alteration, disassembly or unauthorized repair
4. improper maintenance, improper use concerning the product or connection to an incorrect voltage;
5. any use of accessories not supplied or not approved by the manufacturer.

The guarantee will be cancelled if the nameplate and / or serial number of the product are removed.

Disposal and environmental responsibility

In order to be environmentally friendly, we encourage you to have your device correctly. You can contact your local authorities or recycling centers for more information.

DISPOSAL



The presence of this logo on the product means that the disposal of the device is governed by Directive 2012/19 / EU dated July 4, 2012 relating to waste electrical and electronic equipment (WEEE).

Any hazardous substance contained in electrical or electronic equipment can have a potential impact on the environment and health during recycling. Consequently, at the end of the device's useful life, it must not be disposed of with unsorted municipal waste.

Your role as an end consumer is essential in terms of reuse, recycling and obtaining other types of value creation from this product. You have the choice of different collection and exchange systems organized by local authorities (recycling centers) and distributors. It is your duty to use these possibilities.

IN THE END OF BATTERY LIFE



This appliance contains battery that are non-replaceable.

Used batteries must be supported by a selective collection system in order to be recycled thus reducing the impact on the environment.

When the battery reaches its end of life, you must place it in an appropriate selective collection system that will handle its destruction and / or recycling.

- If the battery acid has leaked, avoid contact with skin, eyes and mucous membranes! The liquid that leaks from the battery can cause rashes. If acid still had to contact with skin, immediately flush the affected areas with clean water and consult a doctor immediately.
- The batteries must be installed with the correct polarity +/-.
- Do not recharge non-rechargeable batteries because of the risk of explosion.

IMPORTANT

Under no circumstances should you dispose of the device or battery on the public highway.

Information for external power supplies for Commission Regulation 2019 /1782/EU

	Value
Input voltage	100-240V
Input AC frequency	50/60 Hz
Output voltage	30V
Output current	0.5A
Output power	15W
Average active efficiency	>86.8%
Efficiency at low load (10 %)	>72%
No-load power consumption	<0.1 W

VAŽNA SIGURNOSNA UPUTSTVA

PAŽLJIVO PROČITAJTE BEZBJEDNOSNA UPUTSTVA PRIJE UPOTREBE I SAČUVAJTE IH ZA BUDUĆU REFERENCU.



Bezbjednosna uputstva:

- **Bateriju morate bezbjedno ukloniti.**
- Nemojte ga koristiti u blizini stepenica ili na balkonima. Ovaj uređaj nema senzore za izbjegavanje.
- Ovu jedinicu mogu koristiti djeca od 8 godina i osobe sa fizičkim, senzornim ili mentalnim vještinama ili nedostatkom iskustva i znanja pod uslovom da su stavljeni pod nadzor ili su dobili uputstva za bezbjedno korištenje uređaja i da razumiju opasnosti. Djeca ne bi trebalo da se igraju sa uređajem. Čišćenje i održavanje od strane korisnika ne bi trebalo da ga prave djeca bez nadzora.
- Ovaj uređaj je namijenjen samo za kućnu upotrebu.
- Ova jedinica je pogodna za tepihe niskog do srednjeg filca. Nije pogodan za neravne podove ili mješane tepihe.
- Uklonite bočnu četku prilikom čišćenja ispod tepiha da biste zaštitili bočnu četku.
- Ako je kabal za napajanje adaptera oštećen, adapter se mora promijeniti.
- Punite bateriju samo sa punjačem koji je isporučio proizvođač
- Koristite uređaj sa baterijom koje je specijalno kreiran za ovaj uređaj. Upotreba bilo koje druge baterije može izazvati eksploziju ili požar
- Koristite adapter koji je predviđen za ovaj proizvod.
- Ne koristite na mokroj ili masnoj prašini.
- Prije upotrebe čuvajte lomljive predmete (staklo, svjetlo, itd.) i druge predmete koji bi mogli da zapletu četke (duga kosa, plastične kese, konopac, žica, itd.).
- Ne sjedite na uređaju i ne stavljajte teške stvari na isti.
- **UPOZORENJE:** Uvjerite se da jedinica može slobodno da funkcioniše u prostoriji (nije blokirana preprekom, ne može da se prevrne) i da nema prepreke na koju bi se uređaj mogao prevnuti i stvoriti opasnost (kao što su upaljene svejće ili vaza napunjena vodom).
- Redovno čistite mašinu.
- Ispraznite posudu za prašinu.
- Punite bateriju, ako uređaj ne koristite tri mjeseca.
- Punite samo u situaciji alarma male snage ili kada se uređaj isključi. Koristite ga nakon potpunog punjenja.
- Baterija mora biti uklonjena iz aparata prije njenog odlaganja; uređaj mora biti isključen iz električne mreže prilikom vađenja baterije;
- Ne bacajte baterije sa kućnim otpadom. Uklonite ih u skladu sa lokalnim propisima.
- Punite bateriju samo pomoću adaptera koji ste dobili uz uređaj.
- Kabal fleksibilnog eksternog adaptera se ne može zamijeniti; u slučaju oštećenja kabla, potrebno je adapter odbaciti i zamijeniti adapterom istog modela.
- Aparat se mora isključiti iz električne mreže prilikom vađenja baterije.
- Ovaj uređaj sadrži bateriju koja se može zamijeniti.
- **UPOZORENJE:** Za potrebe punjenja baterije, koristite samo adapter za napajanje koja se isporučuje uz ovaj uređaj.



Adapter za napajanje

- **UPOZORENJE:** Opasnost od ukliještenja. Držite široku odjeću, kosu, prste itd. dalje od motorizovanih četkica i mlaznica.
- **UPOZORENJE:** utikač se mora izvaditi iz utičnice prije čišćenja ili održavanja uređaja.

VAŽNO

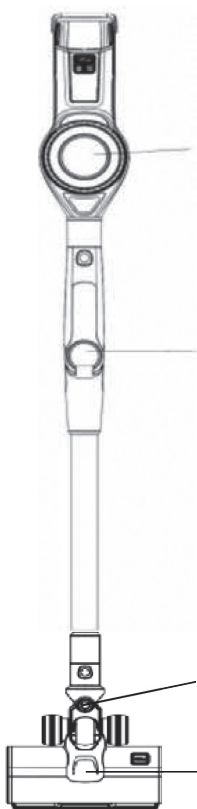
Zabranjeno je samostalno zamijeniti kabal za napajanje ako je oštećen.

Ako uređaj padne, zamolite kvalifikovanu osobu da ga provjeri prije nego što ga ponovo upotrebite. Unutrašnja oštećenja mogu izazvati nesreće.

Za bilo kakve probleme ili popravke, obratite se korisničkoj službi lokalnog distributera, proizvođača ili kvalifikovane osobe kako biste izbjegli opasnost.

OPIS UREĐAJA

Pregled proizvoda



Usisivač sa centrifugalnom tehnologijom sa spužvom za filtriranje zraka

Dvostruka filtracija i visoko efikasno čišćenje, kako bi se postiglo najbolji efekat uklanjanja prašine.

Visokokvalitetna aluminijumska cijev, lagan dizajn

otporan na koroziju, prekomjerna dužina, lako se nosi sa visokim mjestima, pukotinama i drugim teškim uglovima

Fleksibilna rotacija, zgodan rad.

Slobodno okretanje i efikasno uklanjanje prljavštine.

Električna četka za pod

Za lako čišćenje svih vrsta podova kao i debelih vunениh tepiha za uklanjanje svih vrsta prljavštine.

Motorna jedinica

Indikatorska lampa

Rad proizvoda,
indikacija struje.

Regulator brzine

Kontrolišite brzinu prema
zahtjevu korisnika.

Dugme za prebacivanje

Može brzo da pokrene/zaustavi
usisivač po potrebi, štedeći
električnu energiju. electricity.

Soft handle

High quality texture,
resistance to wear
and tear.

Dugme za zaključavanje

Fleksibilna kombinacija
raznih dodataka,
praktičniji rad.

Prozirna posuda za prašinu

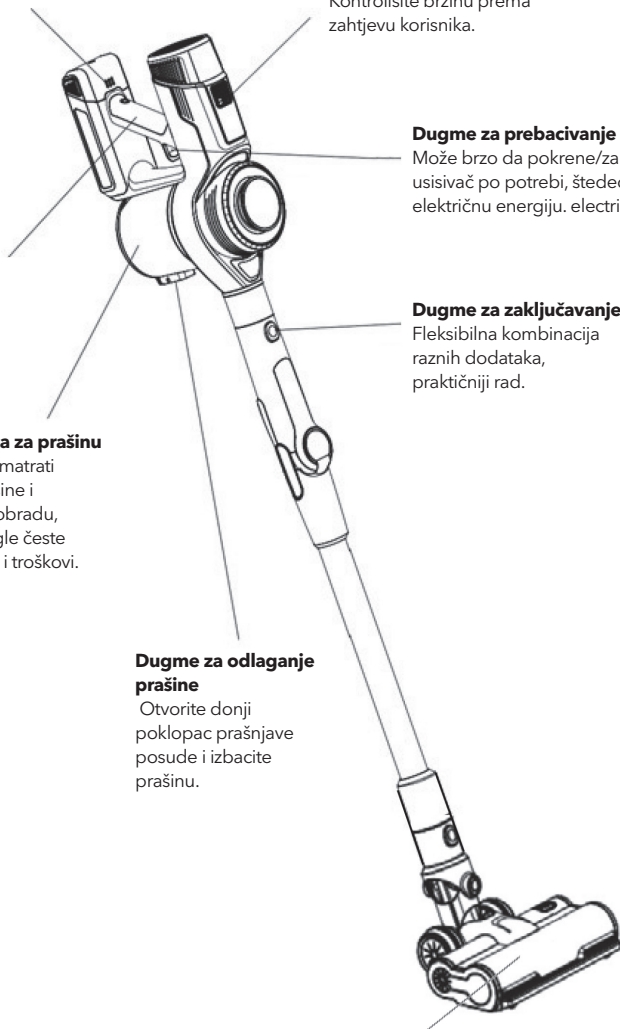
Pogodno je posmatrati
sakupljanje prašine i
blagovremenu obradu,
kako bi se izbjegle česte
promjene filtera i troškovi.

Dugme za odlaganje prašine

Otvorite donji
poklopac prašnjave
posude i izbacite
prašinu.

Električna četka

Za lako čišćenje svih
vrsta podova kao i
debelih vunelih tepiha
za uklanjanje svih vrsta
prljavštine.



Električna četka

Fleksibilna rotacija, zgodan rad.

Slobodno okretanje i efikasno uklanjanje prljavštine

LED lampa

Pogodno je da bi uočili prašinu, tako da očistite prašinu bez slijepih tačaka.

Šuplja kotrljajuća četka

Optimizovan dizajn četke, pomaže za poboljšanje brzine i uklanjanja prašine.

Traka za prašinu

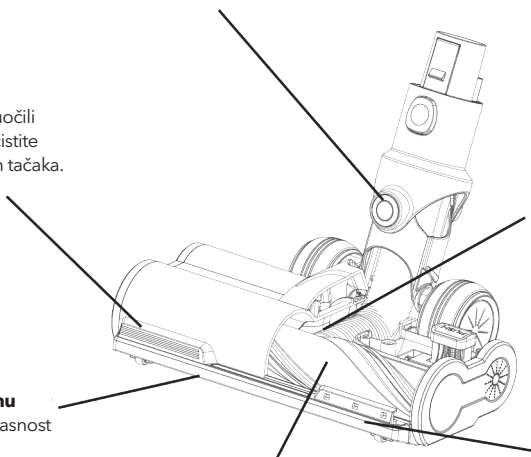
Poboljšajte efikasnost čišćenja.

Najlonska četka

Dvoslojna fina najlonska četka, lako se nosi sa prljavštinom između kratkog vunenog tepiha i podnog šava.

Koliziona tampon traka

Otporna na habanje i ekološki prihvatljiva, ova traka štiti vaš parket.



Senzor prašine

Blokada rotirajuće četke
Indikator

Indikator promjene snage

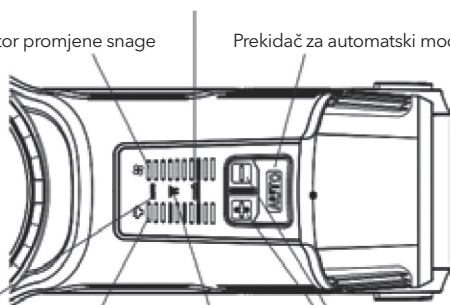
Prekidač za automatski mod

Indikator auto moda

Indikator blokade motora

Ručni prekidač

Indikator senzora prašine



INDIKATOR PROMJENE NAPAJANJA:

Ovo je opcija kada je "AUTO MODE" uključen da vidite promjenu nivoa snage.

INDIKATOR ZAKONA ROTACIJSKIH ČETKICA:

Indikator označava da je četkica motora u pedali blokirana ili da ne radi. Preporuka da otpustite četku za normalan rad ili da je očistite.

AUTOMATSKI PREKIDAČ NAČINA RADA:

Pomoću ovog prekidača možete uključiti ili isključiti "AUTO MODE". Rad usisivača u "Auto Modu" to znači da usisivač radi na jednoj jačini usisne snage i kada uvuče veliku količinu prašine i ona pređe preko senzora, detektuje tu prašinu i povećava snagu usisavanja dok senzor detektuje da postoji nema više prašine i vraća se na prethodnu snagu usisne snage.

INDIKATOR AUTOMATSKOG NAČINA RADA:

Ovo je indikator da je režim čišćenja "AUTO MODE" uključen/isključen.

INDIKATOR SENZORA PRAŠINE:

Kada se indikator upali više od polovine lampica, potrebno je očistiti gornji HEPA filter. Zanemarivanje LED indikatora može dovesti do nuspojava: začepljenja Hepa filtera, slabljenja usisne snage, uništenja motora.

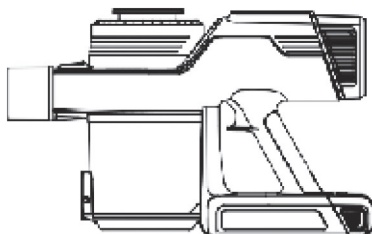
INDIKATOR ZAKLJUČAVANJA MOTORA:

Ovo je indikator kada je dovod zraka blokiran, protok zraka do motora je ometan ili prekinut na putu četke za pod, cijevi, posude za prašinu, metalnog filtera, TOP HEPA filtera, stražnjeg HEPA filtera).

RUČNI PREKIDAČ:

Ovi prekidači (+, -) služe za podešavanje snage usisavanja, postoji pet nivoa snage.

SADRŽAJ PAKOVANJA



Tijelo



Električna četka



2u1 četka za prašinu



Alat za pukotine



Doking za punjenje



Adapter



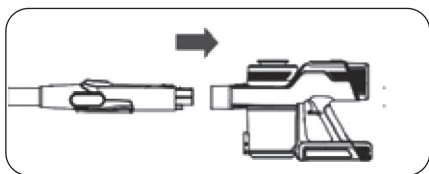
Duga aluminijumska cijev sa fleksibilnim crijevom

Zbog stalnog poboljšanja proizvoda, gornja konfiguracija će varirati u zavisnosti od modela. Zadržavamo ovo pravo. Pravo na objašnjenje ima kompanija.

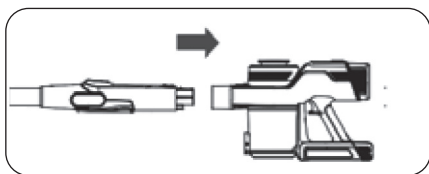
UPUTSTVO ZA UPOTREBU

Uputstvo za montažu aluminijumske cijevi za usisavanje

- Gurnite kraj aluminijumske cijevi horizontalno u vakuumski otvor na motornoj jedinici kako biste bili sigurni da je kompaktan i da nije olabavljen i da je instalacija uspješna nakon što se čuje zvuk "klika". (Slika 1)
- Da biste uklonili aluminijumsku cijev, držite glavno tijelo jednom rukom i izvucite ga drugom rukom pritiskajući dugme. (slika 2)



Slika 1



Slika 2

Uputstvo za ugradnju električne četke

- Gurnite jedan kraj otvora okrugle četke u kraj cijevi za izlaz zraka da biste bili sigurni da je čvrsto i da nije labav; ako se čuje zvuk, on je uspješno instaliran (slika 3).
- Ako želite da uklonite četkicu, četkica se drži u jednoj ruci, a dugme se istovremeno pritisne drugom rukom i četkica će biti izvučena. (Slika 4)
- Električna četka također može da koristi metod povezivanja bez aluminijumske cijevi, i da se direktno instalira na motornu jedinicu.



Slika 3



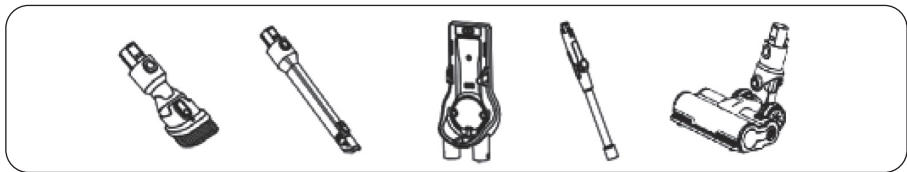
Slika 4

Pribor

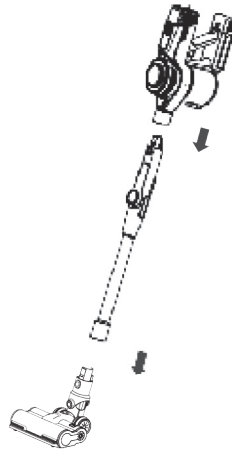
Uputstvo za korištenje pribora

Pored upotrebe aluminijumske cijevi i električne četkice, možete koristiti četkicu 2 u 1 i dugačku mlaznicu da biste proizvod prilagodili svim situacijama (slika 5):

- 2 u 1 četka
Pogodan je za čišćenje malih prostorija, praznina ili nepravilnih površina objekata, kao što su uglovi zidova, otvor okvira prozora od legure, unutrašnjost kućnih aparata, fioke, auto jastuci, okviri za slike, plafoni, tastature itd.
- Dugačka mlaznica
Pogodan je za nezgodno čišćenje, kao što su uglovi, praznine itd.



Slika 5 (Pribor)



Slika (6, 7)

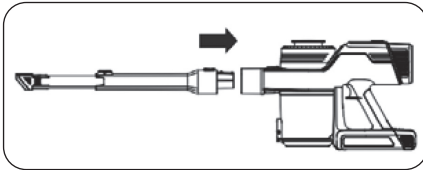
Pribor se može umetnuti na 2 različita načina: direktno na kraj fleksibilne cijevi (režim 1) ili na kraj motorne jedinice (režim 2).

Režim 1: Uzmite dugu mlaznicu i umetnite je u kraj aluminijumske cijevi dok ne čujete klik koji potvrđuje instalaciju. Da biste ga uklonili, povucite ga direktno.

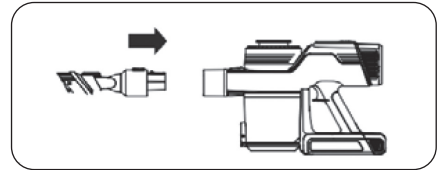
Uzmite pribor za četkicu 2-u-1 i uradite istu manipulaciju: umetnite ga u kraj aluminijumske cijevi dok ne čujete klik koji potvrđuje instalaciju.

Da biste ga uklonili, povucite ga direktno. (Slika 6 i 7)

Režim 2: Da biste dodatke ubacili direktno u motornu jedinicu, ponovite operaciju (Slike 8 i 9).



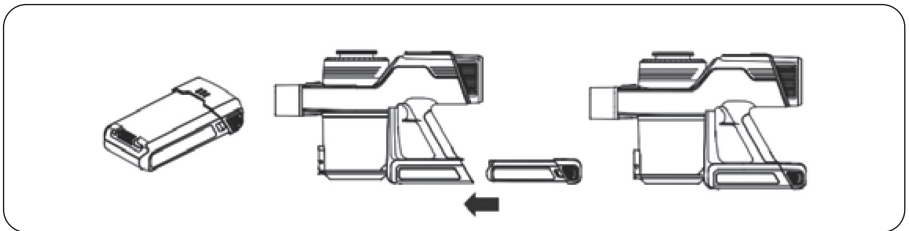
Slika 8



Slika 9

Uputstvo za ugradnju baterije

Instalirajte bateriju u mašinu u pravcu (Sl.10) i instalirajte je kao (Sl.11) da ne bi došlo do labavljenja. Ako se čuje zvuk klik, on je uspješno instaliran.



Slika 10

Slika 11

PAŽNJA:

Za dugotrajnu upotrebu, držite bateriju na hladnom i suhom mjestu i ostavite je u polunapunjenom stanju. Zamotajte bateriju neprovodljivim materijalom da biste izbjegli direktan kontakt sa baterijom koji može da ošteti bateriju.

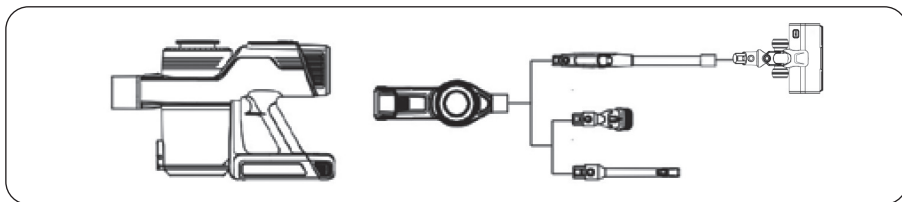
Upotreba

1. Preparation

Prije upotrebe, ugradite bateriju i provjerite da li je napunjena. Ako nije, napunite ga na vrijeme (pogledajte "punjenje proizvoda"), može se koristiti nakon ponovnog punjenja. Prema području čišćenja, pribor se može odabrati prema zahtjevima. Kompanija je posebno opremljena raznim dodacima. Prema čistom području, upotreba se može odabrati prema čistom području. (pogledajte "Dodatak uputstava za rad" za više detalja)

2. Početak rada

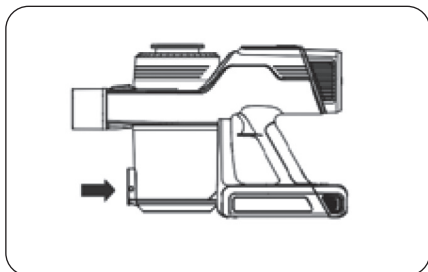
Pritisnite „dugme za uključivanje“ i dugme za dodir i mašina će početi da radi, ako treba da prestanete sa radom, ponovo pristinite „dugme za uključivanje“. (Slika 12)



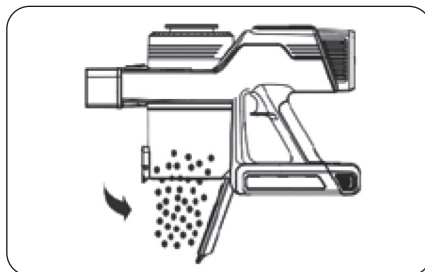
Slika 12

3. Pražnjenje posude za prašinu

Nakon što zaustavite mašinu, kucnite u ležište za prašinu sa strane cijevi za prašinu (Sl. 13). Otvorite poklopac, izbacite prašinu i zatvorite poklopac rezervoara za prašinu. (Sl. 14)



Slika 13



Slika 14

4. Rastavite kućište filtera

Okrenite i uklonite posudu za prašinu, imate pristup filteru od nerđajućeg čelika i njega okrenite da biste ga uklonili. Uradite obrnuto da sklopite filter od nehrđajućeg čelika i posudu za prašinu. (Sl. 15)

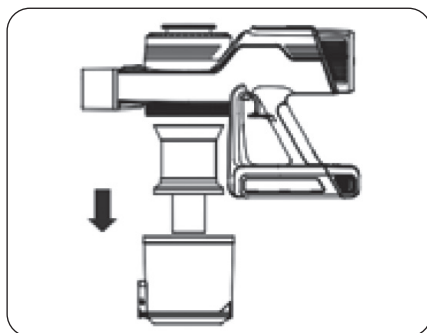
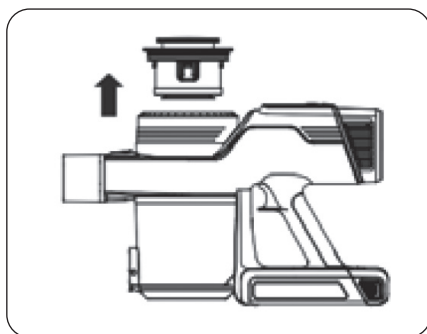


Figure 15

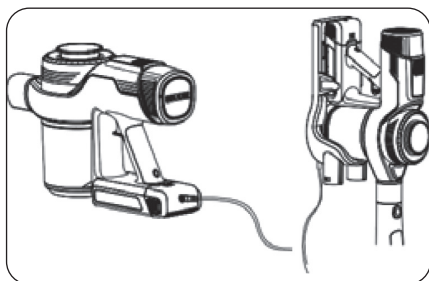
5. Uklonite poklopac i filterski element u smjeru koji pokazuje strelica. (Sl. 16)



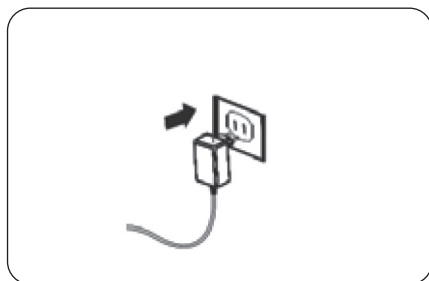
Slika 16

6. Punjenje (Baterije) proizvoda

Povežite punjač direktno na usisivač ili stanicu za punjenje (slika 17), a drugi kraj u zidnu utičnicu u vašem domu. (Slika 18)



Slika 17



Slika 18

Indikator punjenja

U radu: svjetlo svijetli neprekidno.

Djelimično napunjen: LED treperi.

Potpuno napunjen: svjetlo neprekidno svijetli.

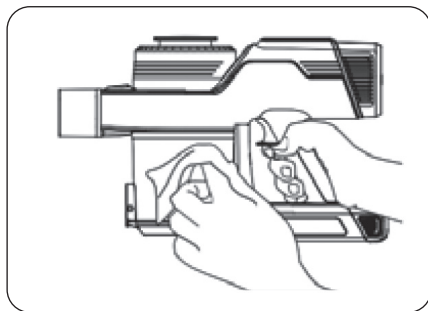
BELEŠKA

- Nakon što proizvod napusti fabriku svaka 3 mjeseca (zavisi od uslova), koristite naš punjač za punjenje baterije 3 sata
- Ne puniti bateriju duže vrijeme, ako se i dalje puni nakon normalnog vremena punjenja, odmah prekinite, u suprotnom može doći do rizika kao što su zagrijavanje baterije, deformacija ili gorenje.
- Kada baterija nije u upotrebi duže vrijeme ili kada je u dubokom pražnjenju, može se smanjiti vrijeme trajanja u prvih nekoliko puta. Preporučuje se potpuno pražnjenje i punjenje (obično oko 6 sati). Potrebno je samo ponoviti radnju dva puta.

ČIŠĆENJE I ODRŽAVANJE

Da ne biste uticali na performanse mašine, preporučuje se da redovno održavate njene komponente. Prije čišćenja glavnog tijela (motorne jedinice) (odjeljak za držanje), uvjerite se da mašina prestaje da radi i da se proizvod ne puni.

Očistite vodom ili neutralnim deterdžentom. Prije ribanja, uvjerite se da je krpa suha. Nemojte infiltrirati vodu u unutrašnje dijelove usisivača (Sl. 19) Nakon čišćenja ne stavljajte ga na direktnu sunčevu svjetlost ili na vlažno mjesto.



Slika 19

Čišćenje posude za prašinu

Kada količina prašine dostigne vrijednost „MAKS“, očistite je što je prije moguće i nemojte je prepuniti.

Da biste olakšali pražnjenje kante za otpatke, preporučuje se da uklonite aluminijsku cijev ili drugi pribor prije čišćenja.

Nakon što se mašina zaustavi, otvorite poklopac rezervoara za prašinu i izbacite prašinu. Ako se na unutrašnjem zidu posude za prašinu nađe tvrdokorna prljavština, pažljivo je obrišite mokrom krpom.



Nakon što obrišete unutrašnji zid posude za prašinu mokrom krpom, potrebno ga je staviti da se osuši ili ga osušiti suhom krpom.

Čišćenje izlaznog filtera

Da biste osigurali performanse proizvoda, preporučuje se da ga redovno čistite i mijenjate nakon 3-6 mjeseci. (u zavisnosti od upotrebe), Pritisnite i držite dugme za otpuštanje cijevi za prašinu, uklonite tijelo i okrenite poklopac, uklonite poklopac filtera i obrišite prašinu sa filtera. (vidi sliku 16)

Ako se prašine nakupilo previše, dobro je operite i "DOBRO OSUŠITE" prije nego što stavite u motornu jedinicu.

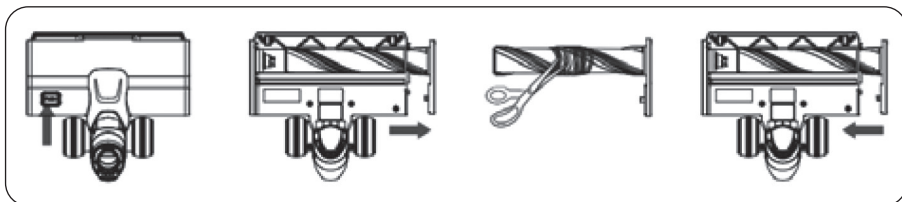


Tokom pranja filtera koristite hladnu vodu i dobro ga osušite (obično na suncu više od 24h, a zatim ga vratite u motornu jedinicu.)

Četka za čišćenje

Preporučuje se da se četka očisti jednom nakon 4-5 puta električnom četkom:

1. Isključite napajanje i uklonite električnu četku.
2. Okrenite četkicu i okrenite dugme za zaključavanje na fiksnom poklopcu novčićem da biste otvorili bravu. (Slika 20)
3. Uklonite četkicu za valjak da biste fiksirali poklopac, podignite jedan kraj valjkaste četke i izvucite četku za valjak. (Slika 21)
4. Koristite makaze ili druge oštre instrumente za uklanjanje zadržane životinjske dlake i drugog otpada (slika 22).
5. Kada je čišćenje završeno, gurnite jedan kraj kotrljajuće četke u četku za pod, a zatim zakačite drugi kraj u četku za pod. (Slika 23)
6. Pokrijte poklopac i zaključajte ga.



Slika 20

Slika 21

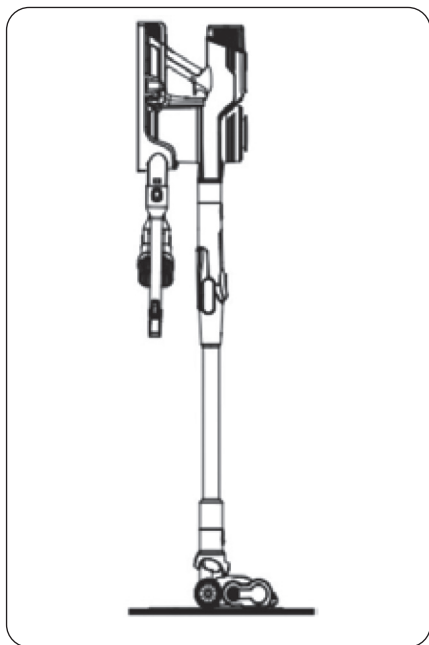
Slika 22

Slika 23

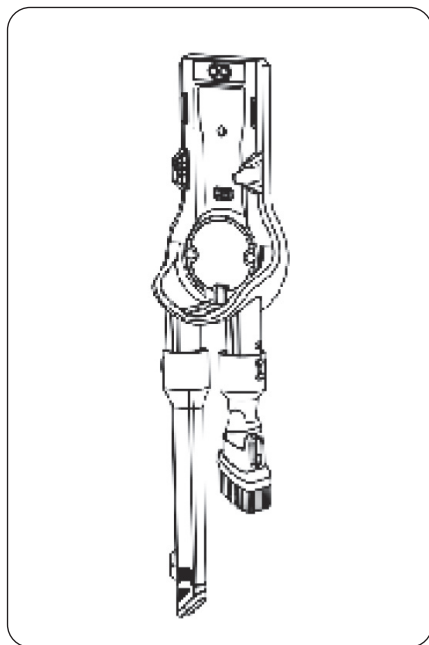
Postavljanje i skladištenje

Skladištenje na stalku za punjenje: lako se montira na zid, štedi prostor. (Slika 24)

Skladištenje pribora: lako za uzimanje, lako za sakupljanje. (Slika 25)



Slika 24



Slika 25

RJEŠAVANJE PROBLEMA

Analiza i tretman uobičajnih kvarova

Problem	Mogući uzrok	Moguće rješenje
Usisivač ne radi.	Proizvod nema struju ili nema dovoljno snage.	Koristite ga nakon što je proizvod pun struje.
	Otvor za vakuum je blokiran	Očistite otvor za vakuum.
Usis proizvoda se smanjuje.	Cijev za prašinu i komponente filtera su puni prašine.	Očistite cijev za prašinu i materijale za filter.
	Četka za valjanje je zapetljena sa kosom itd.	Očistite četku za valjanje.
	Nakon isključivanja gornje situacije, situacija ostaje ista.	Molimo kontaktirajte našu post prodajnu službu radi održavanja.
Motor radi uz nenormalan zvuk.	Glavna usisna cijev ili aluminijumska cijev je blokirana.	Uklonite prepreke unutar glavne usisne cijevi, aluminijumske cijevi.
	Nakon isključivanja gornje situacije, situacija ostaje ista.	Molimo kontaktirajte našu post prodajnu službu radi održavanja.
Proizvod se ne može dopuniti.	Baterija, motorna jedinica i punjač nisu dobro povezani.	Provjerite i dobro ga povežite.
	Nakon isključivanja gornje situacije, situacija ostaje ista.	Molimo kontaktirajte našu post prodajnu službu radi održavanja.

Ako gore navedeni koraci ne mogu ispravno da funkcionišu sa vašim uređajem, obratite se našem odjeljenju za post prodajni servis za pomoć.

TEHNIČKE SPECIFIKACIJE

	Tehnički parametar
Radni napon (V)	25.2 V
Nazivna snaga (W)	400 W
Kapacitet baterije (mAh)	2500 mAh
Kapacitet posude za prašinu (L)	0.6 L
Vrijeme punjenja (h)	Između 3 to 5 sati
Kontinuirano vrijeme rada (min)	Do 60 minuta
Dimenzija proizvoda (mm)	369 x 125 x 227mm
Neto težina (kg)	2.65 kg

ODRICANJE GARANCIJE

Garancija ne pokriva habajuće dijelove proizvoda, kao ni probleme ili oštećenja koja su posljedica:

1. propadanje površine uslijed normalnog habanja proizvoda;
2. defekti ili propadanje uslijed kontakta sa tečnostima i korozije izazvane hrdom ili prisustvom insekata;
3. svaki incident, zloupotreba, zlorabljenje, preinaka, rastavljanje ili neovlaštena popravka
4. nepravilno održavanje, nepravilna upotreba proizvoda ili priključenje na neispravan napon;
5. svako korištenje dodatne opreme koju nije isporučio ili nije odobrio proizvođač.

Garancija će biti poništena ako se ukloni natpisna pločica i/ili serijski broj proizvoda.

Odlaganje i odgovornost prema životnoj sredini

Da biste bili ekološki prihvatljivi, preporučujemo vam da svoj uređaj imate ispravno. Za više informacija možete kontaktirati lokalne vlasti ili centre za reciklažu.

ODLAGANJE



Prisustvo ovog logotipa na proizvodu znači da je odlaganje uređaja regulisano Direktivom 2012/19 / EU od 4. jula 2012. koja se odnosi na otpadnu električnu i elektronsku opremu (VEEE).

Svaka opasna supstanca sadržana u električnoj ili elektronskoj opremi može imati potencijalni uticaj na životnu sredinu i zdravlje tokom reciklaže. Shodno tome, na kraju radnog vijeka uređaja, ne smije se odlagati sa nesortiranim komunalnim otpadom.

Vaša uloga kao krajnjeg potrošača je od suštinskog značaja u smislu ponovne upotrebe, recikliranja i dobijanja drugih vrsta stvaranja vrijednosti od ovog proizvoda. Imate izbor različitih sistema prikupljanja i razmjene koje organizuju lokalne vlasti (centri za reciklažu) i distributeri. Morate iskoristiti ove mogućnosti.

ŽIVOTNI VIJEK BATERIJE



Ovaj uređaj sadrži bateriju koja se može zamijeniti.

Korištene baterije moraju biti podržane sistemom selektivnog sakupljanja da bi se reciklirale čime se smanjuje uticaj na životnu sredinu.

Kada baterija dostigne kraj svog vijeka trajanja, morate je staviti u odgovarajući sistem za selektivno sakupljanje koji će se nositi sa njenim uništavanjem i/ili recikliranjem.

- Ako je kiselina iz baterije iscurila, izbjegavajte kontakt sa kožom, očima i sluzokožom! Tečnost koja curi iz baterije može izazvati osp. Ako je kiselina ipak morala da dođe u kontakt sa kožom, odmah isperite zahvaćena mjesta čistom vodom i odmah se obratite ljekar.
- Baterije moraju biti postavljene sa ispravnim polaritetom +/-.
- Nemojte puniti nepunjive baterije zbog opasnosti od eksplozije.

VAŽNO

Ni u kom slučaju ne odlažite uređaj ili bateriju na javni put.

Informacije za eksterno napajanje za Uredbu Komisije 2019 /1782/EU

	Vrijednost
Ulazni napon	100-240 V
Ulazna frekvencija naizmjenične struje	50/60 Hz
Izlazni napon	30 V
Izlazna struja	0.5 A
Izlazna snaga	15 W
Prosječna aktivna efikasnost	>86.8 %
Efikasnost pri malom opterećenju (10%)	>72 %
Potrošnja energije bez opterećenja	<0.1 W

Само за домашна употреба.

Прочетете настоящия наръчник с инструкции внимателно преди употреба.

ВАЖНИ ПРЕДУПРЕЖДЕНИЯ

МОЛЯ, ПРОЧЕТЕТЕ ВНИМАТЕЛНО ИНСТРУКЦИИТЕ ЗА БЕЗОПАСНОСТ ПРЕДИ УПОТРЕБА И ГИ ПАЗЕТЕ ЗА БЪДЕЩА СПРАВКА.



Инструкции за безопасност:

- **Батерията трябва да бъде махана безопасно.**
- Не ползвайте близо до стълби или на балкони. Машината няма сензори за избягване на сблъсък.
- Уредът може да се ползва от деца над 8 години и хора с физически, сензорни или умствени умения или липса на опит и познание, при условие, че са под надзор или са получили инструкции за безопасна употреба на машината и че разбират опасностите. Деца не бива да играят с уреда. Почистването и поддръжката от потребителя следва да не се правят от деца без надзор.
- Този уред е предназначен само за домашна употреба.
- Уредът е подходящ за нисък до среден филцов гърб. Не е подходящ за неравни подове или смесени килими.
- Махайте страничната четка при почистване под килима, за да защитите страничната четка.
- Ако кабелът на адаптера е повреден, адаптерът трябва да се изхвърли.
- Презареждайте батерия(и) със зарядното, предоставено от производителя.
- Ползвайте уреда с батерия
- (S) специално създадена (S) за тази цел. Употребата на някаква (S) друга (S) батерия (S) би могло да причини експлозия или пожар
- Моля, ползвайте адаптера само с този продукт.
- Не ползвайте върху мокър или мазен прах.
- Преди употреба, махнете чупливи предмети (стъклени, осветителни тела и др.) и други предмети, които биха могли да се заплетат в четките (дълги косми, найлонови торбички, въжета, жици и др.)
- Не сядайте върху машината и не поставяйте тежки неща върху нея.
- **ПРЕДУПРЕЖДЕНИЕ:** Уверете се, че уредът може да функционира свободно в стаята (не го блокират препятствия, не може да се преобърне) и няма препятствие, което уредът може да бутне (напр. запалени свещи или пылна с вода ваза).
- Почиствайте машината редовно.
- Изпразвайте контейнера за прах.
- Зареждайте машината, ако не сте я ползвали три месеца.
- Презареждайте само в случай на аларма за ниска мощност или когато е изключена от захранването. Ползвайте след като е напълно заредена.
- Батерията трябва да бъде сваляна от уреда преди неговото изхвърляне; устройството трябва да бъде разкачено от мрежата, когато се сваля батерията;
- Не изхвърляйте батериите в домакински отпадък. Освобождавайте се от тях съгласно местните изисквания.
- Презареждайте батерията/робота само с адаптера, който върви с уреда.
- Кабелът на този адаптер е външен гъвка и не може да бъде заменян; в случай на повреда на жицата, необходимо е адаптерът да бъде изхвърлен и заменян с адаптер от същия модел.
- Уредът трябва да бъде изключван от мрежата при сваляне на батерията.
- Този уред съдържа батерия, която може да бъде сменяна.
- **ПРЕДУПРЕЖДЕНИЕ:** За целите на презареждане на батерията, ползвайте само установен уред, който върви с уреда.



Detachable supply unit

- **ПРЕДУПРЕЖДЕНИЕ:** Риск от опасност от захващане Дръжте свободни дрехи, коса, пръсти и др. далеч от моторизираните четки и накрайници.
- **ПРЕДУПРЕЖДЕНИЕ:** щепселът трябва да бъде махан от контакта преди почистване или поддръжка на уреда.

ВАЖНО

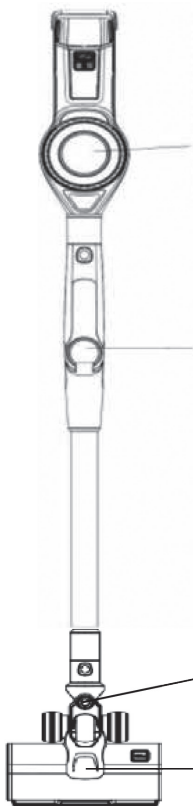
Забранява се да заменяте самостоятелно захранващия кабел, ако се повреди.

Ако уредът бъде изпуснат, моля, накарайте квалифицирано лице да го провери, преди да го ползвате отново. Вътрешно повреждане би могло да причини инциденти.

За всякакъв вид проблеми или ремонти, моля, свържете се с обслужване на клиенти на местния дистрибутор, производител или квалифицирано лице с цел избягване на опасност.

ОПИСАНИЕ НА УСТРОЙСТВОТО

Преглед на продукта



Прахосмукачка с центробежна технология с филтрираща въздуха гъба.

Двойно филтриране и високо ефективно почистване за постигане на най-добро премахване на праха.

Високо качествена алуминиева тръба, лека, устойчива на корозия

Дизайн с допълнителна дължина, лесен за работа по високи места, пукнатини и други трудни ъгълчета.

Гъвкаво въртене, удобно управление.

Свободно въртене и ефективно премахване на прах.

Електрическа четка за под

За лесно почистване на всички Видове подове, както и плътни вълнени килими, за премахване на всички видове прах.

Блок на двигателя

Индикаторна лампа

Работа на продукта,
индикация за ток.

Регулатор на скоростта

Контрол на скоростта по
желание на потребителите.

Бутон за включване

Може бързо да стартира/
спре прахосмукачката при
необходимост, да пести ток.

Soft handle

High quality texture,
resistance to wear
and tear.

Бутон за заключване

Гъвкава комбинация от
различни аксесоари,
по-удобно управление.

Прозрачен контейнер за прах

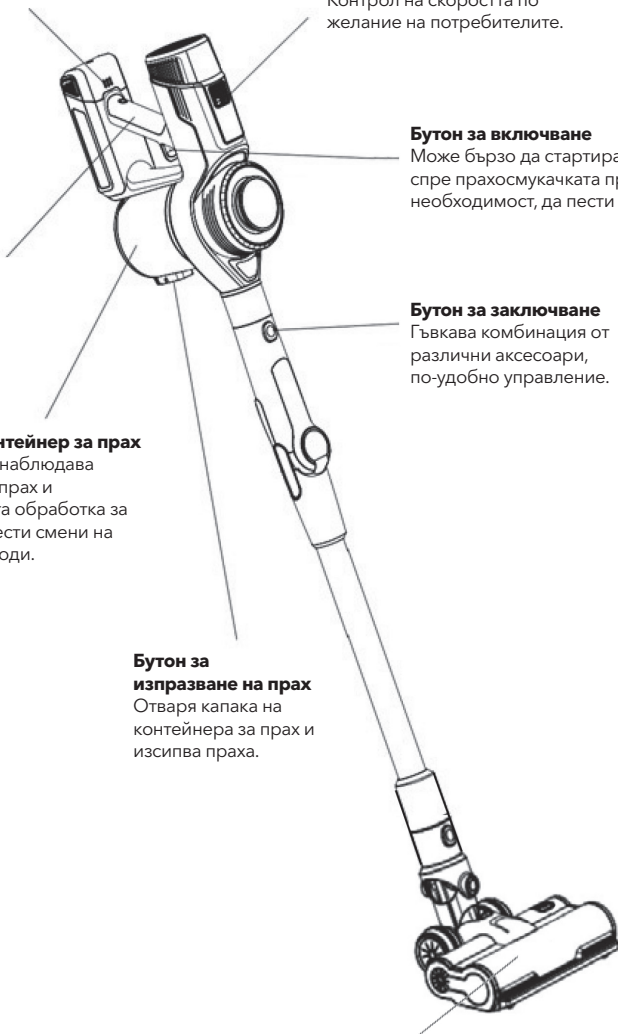
Удобно е да се наблюдава
събирането на прах и
своевременната обработка за
избягване на чести смени на
филтъра и разходи.

Бутон за изпразване на прах

Отваря капака на
контейнера за прах и
изсипва праха.

Електрическа четка

За лесно почистване на
всички видове подове,
както и плътни вълнени
килими, за премахване на
всички видове прах.



Електрическа четка

Гъвкаво въртене, удобно управление.
вободно въртене и ефективно премахване на прах.

LED лампа

Удобно е за наблюдение на тъмен прах, затова почиствайте праха без слепи петна.

Кухина за въртяща се четка

Оптимизиран дизайн на кухня за четка, помага за подобряване на скоростта на премахване на прах.

Противопрахова лента

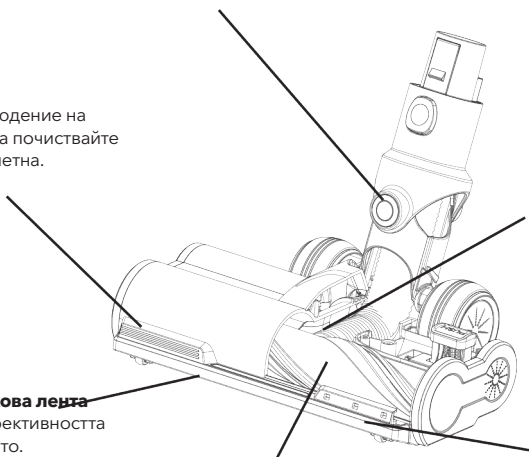
Подобрява ефективността на почистването.

Найлонова четка

Double layer fine nylon brush, easy to deal with dirt between short wool carpet and floor seam.

Лента на буфер срещу сблъсък

Устойчива на износване и екологична, тази лента защитава Вашия



Сензор за прах

Индикатор за блокиране на въртяща се четка

Индикатор за промяна на захранване

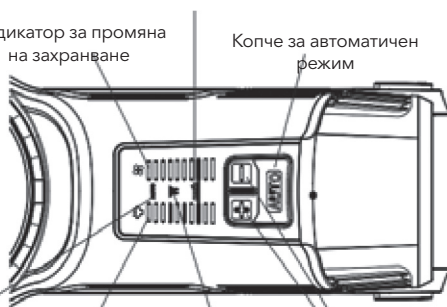
Копче за автоматичен режим

Индикатор за автоматичен режим

Индикатор за блокиране на двигател

Ръчно копче

Индикатор на сензор за прах



ИНДИКАТОР ЗА СМЯНА НА МОЩНОСТТА:

Това е опция, когато е включен "АВТОМАТИЧЕН РЕЖИМ", за да видите промяната на нивото на мощност.

ИНДИКАТОР ЗА ЗАКЛЮЧВАНЕ НА РОТИРАЩАТА ЧЕТКА:

Indicator показва, че четката на двигателя в педала е блокирана или не работи. Препоръка за освобождаване на четката за нормална работа или почистване.

АВТОМАТИЧНО ПРЕВКЛЮЧВАНЕ НА РЕЖИМА:

С този превключвател можете да включите или изключите "AUTO MODE". Работа на прахосмукачка в "Автоматичен режим" това означава, че прахосмукачката работи с една сила на засмукване и когато поеме голямо количество прах и то премине през сензора, тя открива този прах и увеличава мощността на засмукване, докато сензорът отчита, че има няма повече прах и се връща към предишната сила на засмукване.

ИНДИКАТОР ЗА АВТОМАТИЧЕН РЕЖИМ:

Това е индикатор, че режимът на почистване "AUTO MODE" е включен/изключен.

ИНДИКАТОР ЗА СЕНЗОР ЗА ПРАХ:

Когато индикаторът свети повече от половината светлини, е необходимо да почистите горния HEPA филтър. Пренебрегването на светодиодния индикатор може да доведе до странични ефекти: запушен Нера филтър, отслабване на всмукателната мощност, разрушаване на двигателя.

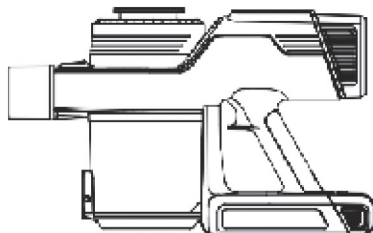
ИНДИКАТОР ЗА ЗАКЛЮЧВАНЕ НА ДВИГАТЕЛЯ:

Това е индикатор, когато подаването на въздух е блокирано, въздушният поток към двигателя е възпрепятствен или прекъснат по пътя на четката за под, тръбата, контейнера за прах, металния филтър, TOP HEPA филтър, Back HEPA филтър).

РЪЧЕН ПРЕВКЛЮЧВАЧ:

Тези превключватели (+, -) се използват за регулиране на всмукателната мощност, има пет нива на мощност.

СЪДЪРЖАНИЕ НА ОПАКОВКА



Основен корпус



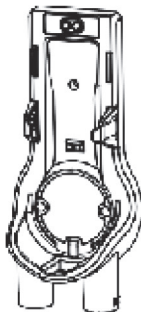
Електрическа четка



Четка за прах 2 в 1



Накрайник за процепи



Корпус на зарядно



Зарядно



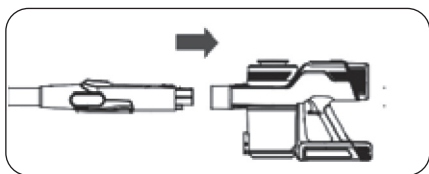
Дълга алуминиева тръба с гъвкав маркуч

Поради непрекъснатото подобряване на продукта, горната конфигурация може да варира според модела. Запазваме си това право. Правото на разяснение е на фирмата.

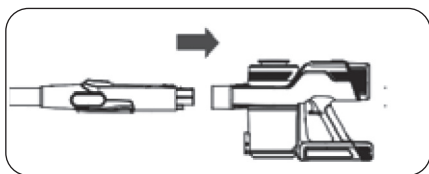
ИНСТРУКЦИИ ЗА УПОТРЕБА

Инструкции за инсталация за алуминиеви тръби

- Бутнете края на алуминиевата тръба хоризонтално в отвора за вакуум на основната машина, за да е сигурно, че е уплътнен и няма да се разхлаби, както и че монтажът е успешен след като се чуе изщракване. (фигура 1)
- За сваляне на алуминиевата тръба, задръжте корпуса с едната ръка и го издърпайте с другата, като натискате бутона. (фигура 2)



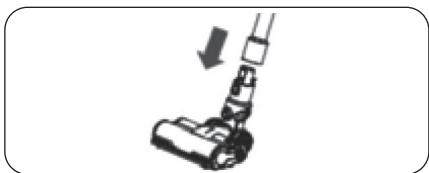
Фигура 1



Фигура 2

Инструкции за монтиране на електрическа четка

- Бутнете края на гърлото на кръглата четка в края на тръбата на изхода за въздух, за да се уверите, че пасва плътно и няма да се разхлаби; ако се чуе звук, тя е успешно монтирана (Фигура 3).
- Ако искате да свалите четката, тя се държи в едната ръка, а бутонът се натиска с другата едновременно, а четката се издърпва навън. (Фигура 4)
- Може да се ползва и електрическа четка за свързване към алуминиевата тръба, както и да бъде монтирана директно на маркуча.



Фигура 3



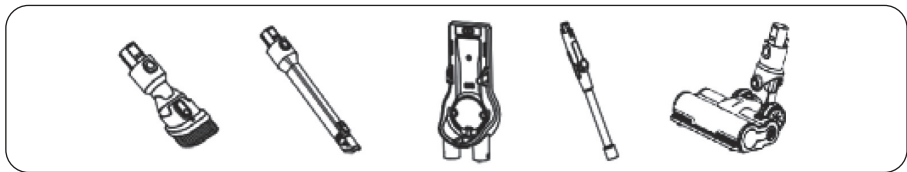
Фигура 4

Акcesoари

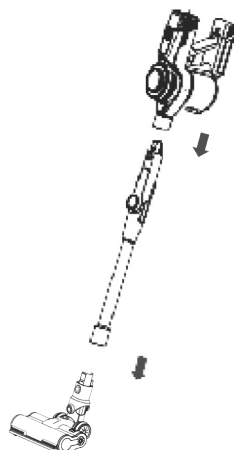
Инструкции за употреба на акcesoари

Освен алуминиевата тръба и електрическа четка, можете да ползвате четката 2-в-1 и дългия накрайник, за да адаптирате продукта към всички ситуации (Фиг. 5):

- Четка 2-в-1
Подходяща е за почистване на малко помещение, отвори или повърхности на предмети с неправилна форма, напр. ъгли на стени, отвори в алуминиева дограма, вътрешността на домакински уреди, чекмеджета, възглавници за кола, рамки на картини, тавани, клавиатури и др.
- Дългият накрайник
- Подходящ е за неудобни за почистване кътчета, например ъгли, процепи и др.



Фигура 5 (Акcesoар)



Фигура (6, 7)

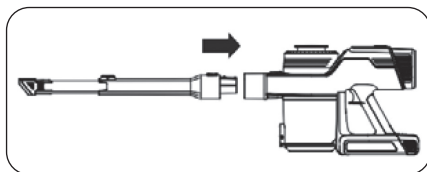
Акcesoарите може да бъдат поставяни по 2 различни начина: направо в края на гъвкавата тръба (Начин 1) или в края на блока на двигателя (Начин 2).

Начин 1: Вземете частта за прикрепяне на дългият накрайник и я поставете в края на алуминиевата тръба, докато чуete щракване за потвърждение на монтажа. За да го свалите, направо го издърпайте.

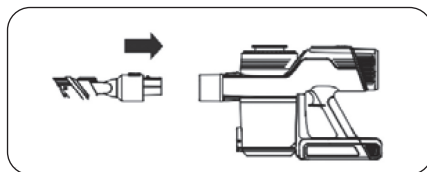
Вземете четката 2-в-1 и направете същата манипулация: поставете я в края на алуминиевата тръба, докато чуete щракване за потвърждение на монтажа.

За да я свалите, направо го издърпайте. (Фигура 6 и 7)

Начин 2: За да поставите акcesoарите директно в 5-ти блок на двигателя, повторете операцията (Фигура 8 и 9).



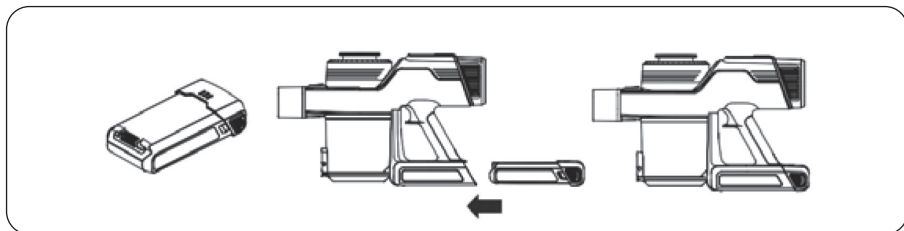
Фигура 8



Фигура 9

Инструкции за монтиране на батерия

Поставете батерията в машината в посоката на (Фиг. 10) и я закрепете като (Фиг. 11), за да сте сигурни, че няма да се размести. Ако се чуе звук, тя е монтирана правилно.



Фигура 10

Фигура 11

ВНИМАНИЕ:

За дългосрочна употреба, дръжте батерията на хладно и сухо място, и махайте батерията в полузаредено състояние. Моля, увийте батерията в изолиращ материал за избягване на пряк контакт с батерията, който може да причини повреда на батерията.

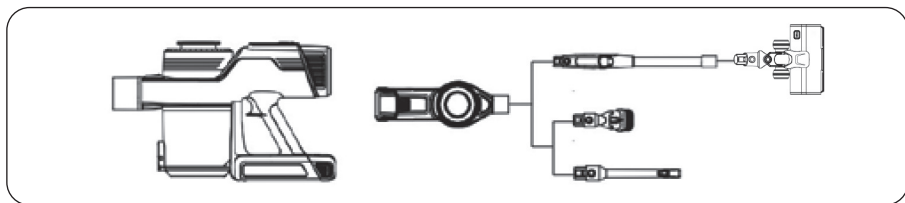
Употреба

1. Подготовка

Преди употреба поставете батерията и проверете дали е заредена. Ако не е, моля, заредете го навреме (вижте „зареджане на продукта“), той може да се използва след презареджане. Според зоната за почистване аксесоарите могат да бъдат избрани според търсенето. Компанията е специално оборудвана с различни аксесоари. Според чистата зона, използването може да бъде избрано според чистата зона. (консултирайте се с „Приложението с инструкции за работа“ за повече информация)

2. Начало на работата

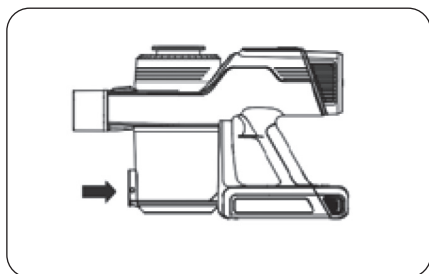
Натиснете "бутон за включване" и бутона за докосване и машината ще започне да работи, ако имате нужда да спрете абота, освободете "бутон за включване". (Фигура 12)



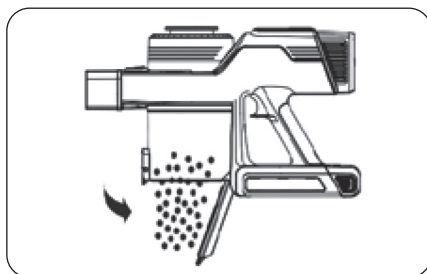
Фигура 12

3. Почистване на праха от продукта

След спиране на машината, натиснете от страни тавата за прах на контейнера за прах (Фиг. 13). Отворете капака, махнете праха и затворете капака на контейнера за прах. (Фиг. 14)



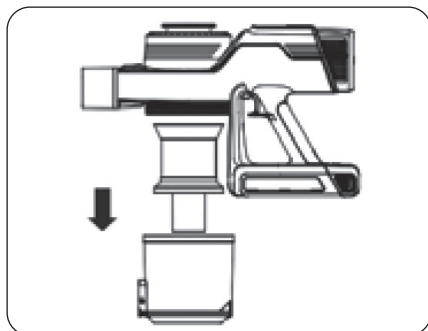
Фигура 13



Фигура 14

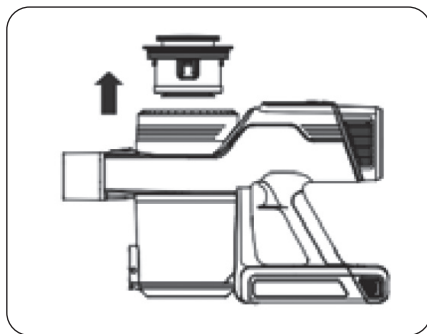
4. Демонтиране на сърцевината на филтъра

Rotate and remove the dust tray, you have access to the stainless steel filter, turn it to remove it. Do the reverse to replace the stainless steel filter and the dust pan. (Fig. 15)



Фигура 15

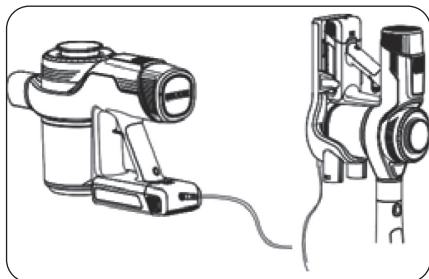
Свалете филтърният елемент в посоката, указана от стрелката. (Фиг. 16)



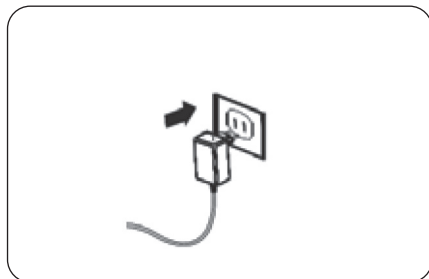
Фигура 16

5. Зареждане на продукта

Свържете зарядното директно към прахосмукачката или зареждащата станция (Фигура 17) и другия край на извода на стената в дома Ви. (Фигура 18)



Фигура 17



Фигура 18

Относно индикатора за зареждане

В действие: светлината свети постоянно.

Частично заредена: LED примигва.

Напълно заредена: светлината свети постоянно.

БЕЛЕЖКА

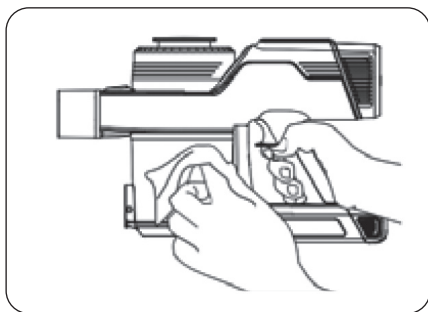
- След като продуктът напусне фабриката на всеки 3 месеца (при определени условия), моля, ползвайте нашето специално зарядно за зареждане на батерията в продължение на 3 часа (не е необходимо да е напълно заредена).
- Не зареждайте батерията дълго, ако все още зареждате извън нормалното време за зареждане, моля, спрете незабавно, иначе може да има риск от прегряване на батерията, деформация или изгаряне.
- Когато батерията не се ползва продължително време или когато все още се разрежда, може да се намали първите няколко пъти. Препоръчва се пълно разреждане след зареждане (обикновено повече от 6 часа). Трябва само действието да бъде повторено два пъти.

ПОЧИСТВАНЕ И ПОДДРЪЖКА

За да не бъдат засегнати експлоатационните показатели на машината се препоръчва да поддържате нейните компоненти редовно.

Преди почистване на основния корпус (блока на двигателя) (държачата секция), уверете се, че машината е спряла и продуктът не се зарежда.

Изтрийте с вода или неутрален миеш агент. Преди да изтриете, уверете се, че парцалът е сух. Не допускайте да влезе вода във вътрешните части на прахосмукачките (Фиг. 19). След почистване, не поставяйте под пряка слънчева светлина или на влажно място.



Фигура 19

Почистване на контейнер за прах

Когато количеството прах достигне стойността "МАКС.", моля, почистете го възможно най-бързо и не я надвишавайте.

За да Ви е по-лесно да изпразвате контейнера за прах се препоръчва да махнете алуминиевата тръба или други аксесоари преди почистване.

След почистване затворете капака на контейнера за прах и се уверете, че бутона за заключване е на мястото си.



БЕЛЕЖКА

След като изтриете вътрешната стена на контейнера за прах с влажен парцал е необходимо да го поставите на слънце и след това да покриете контейнера за прах след пълното му изсъхване.

Почистване на изходящ филтър

За да си гарантирате експлоатационните показатели на продукта се препоръчва редовно да го почиствате и да го сменяте на 3-6 месеца. (в зависимост от употребата). Натиснете и задръжте бутона за освобождаване на контейнера за прах, свалете корпуса и обърнете капака, свалете гъбата и почистете филтриращата гъба. (виж Фиг. 16) Ако се натрупа твърде много прах, измийте го добре и подсушете преди да го качите на основния корпус.



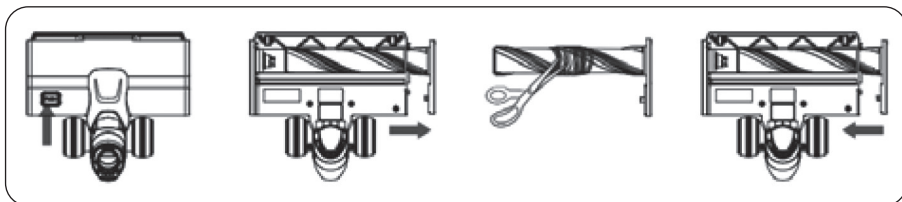
ЗАБЕЛЕЖКА

По време на измиване на филтриращата гъба, ползвайте студена вода и я подсушете добре (обикновено в продължение на 24 часа, след това я върнете в корпуса).

Почистване на четката

Препоръчва се четката да бъде почиствана веднъж на всеки 4-5 пъти експлоатация с електрическа четка:

1. Изключете от тока и свалете електрическата четка.
2. Бутнете четката и завъртете заключващия бутон на фиксирания капак с монета, за да се отвори. (Фигура 20)
3. Свалете въртящата се четка, за да фиксирате покриващата пластина, вдигнете единия край на въртящата се чека и завъртете въртящата се четка. (Фигура 21)
4. Ползвайте ножица или друг остър инструмент, за да махнете заплетените животински косми и други боклуци (Фигура 22).
5. Когато завършите почистването, бутнете единия край на въртящата се четка в четката за пода и когато щракне, и другия край в четката за пода. (Фигура 23)
6. Затворете капака и го заключете.



Фигура 20

Фигура 21

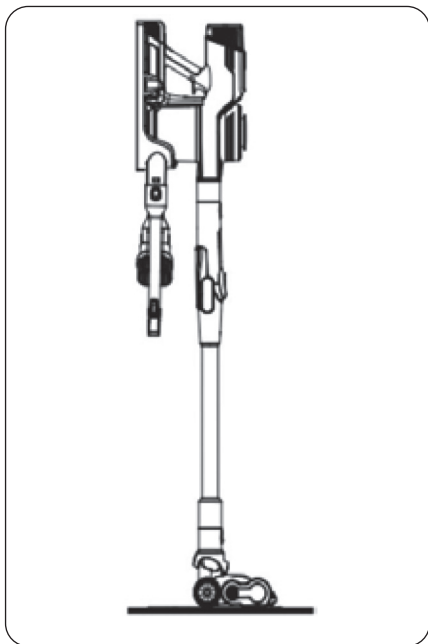
Фигура 22

Фигура 23

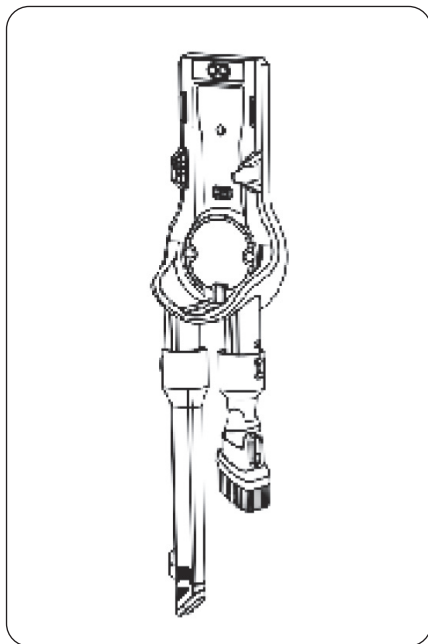
Сортиране и съхранение

Съхранение на поставката за зареждане: лесно за вземане, спестява пространство. (Фигура 24)

Съхранение на аксесоар: лесно за вземане, лесно за събиране. (Фигура 25)



Фигура 24



Фигура 25

ОТСТРАНЯВАНЕ НА ПРОБЛЕМИ

Анализ и справяне с често срещани проблеми.

Проблем	Причина за проблема	Решение
Праховсмукачката не работи.	Продуктът няма ток или не му достига мощност.	Моля, ползвайте го след като се напълни с ток.
	Отворът на праховсмукачката е блокиран.	Почистете праховсмукачката.
Смукателната сила на продукта намалява.	Контейнерът за прах и отделението за филтъра са пълни с прах.	Почистете контейнера за прах и филтриращите материали.
	Въртящата се четка е заплетена с косми и др.	Почистете въртящата се четка.
	След изключване на горните, ситуацията остава същата.	Моля, свържете се със следпродажбеното обслужване за поддръжка.
Двигателят работи с отклонения в звука	Основната смукателна тръба или алуминиевата тръба е блокирана.	Почистете задръстващите неща в основната смукателна тръба, алуминиевата тръба.
	След изключване на горните, ситуацията остава същата.	Моля, свържете се със следпродажбеното сервизиране за поддръжка.
Продуктът не може да бъде презареден.	Интерфейсът на основния компютър и зарядното не са добре свързани.	Моля, проверете и свържете добре.
	След изключване на горните, ситуацията остава същата.	Моля, свържете се със следпродажбеното обслужване за поддръжка.

Ако горните стъпки не дадат възможност на Вашето устройство да работи добре, моля, свържете се с нашия отдел за следпродажбено обслужване за помощ.

ТЕХНИЧЕСКА СПЕЦИФИКАЦИЯ

	Технически параметър
Работно напрежение (V)	25.2 V
Номинална мощност(W)	400 W
Капацитет на батерията (mAh)	2500 mAh
Капацитет на контейнера за прах (L)	0.6 L
Време за еднократно зареждане (ч)	Между 3 до 5 часа
Време на непрекъсната работа (мин)	до 60 минути
Размери на продукта (mm)	369 x 125 x 227 mm
Нето тегло (kg)	2,65 kg

ОТКАЗ ОТ ОТГОВОРНОСТ ПО ГАРАНЦИЯ

Гаранцията не покрива износване на части от продукта, нито проблеми или повреди в резултат от:

1. Влошаване на повърхност поради нормално износване на продукта;
2. дефекти или влошаване поради контакт с течности и корозия, причинени от ръжда или наличие на насекоми;
3. Всеки инцидент, неправилна употреба, изменение, разглобяване или неоторизиран ремонт
4. Неправилна поддръжка, неправилна употреба на продукта или свързване към неподходящо напрежение;
5. Всяко ползване на аксесоари, които не са доставени или одобрени от производителя.

Гаранцията ще бъде отменена, ако фабричната табелка и/или серийният номер на продукта бъдат махнати.

Отговорност за изхвърляне и околна среда

За да се погрижите за околната среда Ви насърчаваме да изхвърлите устройството си правилно. Можете да се свържете с Вашите местни власти или центрове за рециклиране за повече информация.

ИЗХВЪРЛЯНЕ



Наличието на това лого върху продукта означава, че изхвърлянето на устройството се ръководи от Директива 2012/19/ЕС от дата 4 юли 2012 г. относно отпадъци от електрическо и електронно оборудване (ОЕЕО).

Всяко опасно вещество, съдържащо се в електрическо или електронно оборудване, може да има потенциално въздействие върху околната среда и здравето по време на рециклиране.

Затова, в края на полезния живот на устройството, то не трябва да бъде изхвърляно с несортиран домакински отпадък.

Вашата роля като потребител е важна по отношение на повторна употреба, рециклиране и получаване на други видове създаване на стойност от този продукт. Имате избор на различни системи за събиране и размяна, организирани от местните власти (центрове за рециклиране) и дистрибутори. Трябва да ползвате тези възможности.

В КРАЯ НА ЖИВОТА НА БАТЕРИЯТА



Този уред съдържа батерия, която не може да бъде сменяна. Ползваните батерии трябва да бъдат обработвани от система за разделно събиране, за да бъдат рециклирани, като така се намалява въздействието върху околната среда.

Когато батерията достигне края на жизнения си цикъл, трябва да я поставите в подходящата система за разделно събиране, която ще се заеме с нейното разрушаване и/или рециклиране.

- Ако е изтекла киселина от батерията, избягвайте контакт с кожата, очите и лигавиците! Течността, която изтича от батерията, може да причини обриви. Ако киселината все пак влезе в контакт с кожата, незабавно изплакнете засегнатите зони с чиста вода и веднага се консултирайте с лекар.
- Батериите трябва да бъдат поставяни с правилната полярност +/-.
- Не презареждайте батерии за еднократна употреба поради риск от експлозия.

ВАЖНО

При никакви обстоятелства не изхвърляйте устройството или батерията на обществени пътища.

Информация за източници а външното захранване за Регламент на Комисията 2019/1782/ЕС

	Стойност
Входящо напрежение	100-240 V
Честота на входящ променлив ток	50/60 Hz
Изходящо напрежение	30 V
Изходящ ток	0.5 A
Изходяща мощност	15 W
Средна активна ефективност	>86.8 %
Ефективност при ниско натоварване (10%)	>72
Консумация на ток без натоварване	<0.1 W

Sólo para uso doméstico.

Lea atentamente este manual de instrucciones antes de utilizar el aparato.

ADVERTENCIAS IMPORTANTES

LEA ATENTAMENTE LAS INSTRUCCIONES DE SEGURIDAD ANTES DE UTILIZAR EL APARATO Y CONSÉRVELAS PARA FUTURAS CONSULTAS.



Safety instructions:

- **La batería debe extraerse de forma segura.**
- No utilizar cerca de escaleras o en los balcones. Esta máquina no dispone de sensores de no evitación.
- Este aparato puede ser utilizado por niños a partir de 8 años y personas con discapacidades físicas, sensoriales o mentales o con falta de experiencia y conocimientos siempre que estén bajo supervisión o hayan recibido instrucciones para utilizar la máquina de forma segura y que comprendan los peligros. Los niños no deben jugar con el aparato. La limpieza y el mantenimiento por parte del usuario no deben ser realizadas por niños sin supervisión.
- Este aparato está destinado exclusivamente al uso doméstico. Este aparato es adecuado para moquetas de lomo de fieltro bajo a medio alfombras. No es adecuado para suelos irregulares o moquetas mixtas.
- Retire el cepillo lateral en la limpieza debajo de la alfombra para proteger el cepillo lateral.
- Si el cable de alimentación del adaptador está dañado, el adaptador debe desecharse.
- Recargue / batería / s sólo con el cargador suministrado por el fabricante
- Utilice el aparato con la batería (S) creada específicamente para este fin. El uso de cualquier (S) otra (S) batería (S) podría causar una explosión o incendio
- Utilice únicamente un adaptador para utilizar este producto.
- No lo utilice sobre polvo húmedo o grasiento.
- Antes de utilizarlo, mantenga alejados los objetos frágiles (cristal, luz, etc.) y otros objetos que puedan enredar los cepillos (pelo largo, bolsas de plástico, cuerda, alambre, etc.).
- No se siente sobre la máquina ni coloque objetos pesados objetos pesados.
- ADVERTENCIA: Asegúrese de que el aparato pueda funcionar libremente en la sala (que no esté bloqueado por un obstáculo, que no pueda caerse caerse) y que no haya ningún obstáculo sobre el que el aparato pueda volcar y crear un riesgo de peligro (como velas encendidas o un jarrón lleno de agua), velas encendidas o un jarrón lleno de agua).
- Limpie regularmente el aparato.
- Vacíe el contenedor de polvo.
- Cargue la máquina sin utilizarla durante tres meses.
- Recárguela sólo cuando se produzca una alarma de baja potencia o cuando la máquina esté apagada. Utilícela después de cargarla completamente
- La batería debe retirarse del aparato antes de su eliminación; el aparato debe desconectarse de la red eléctrica al extraer la batería;
- No deseche las pilas con la basura doméstica.
- Elimínelas de acuerdo con la normativa local.
- Recargue la batería / el robot sólo con el adaptador suministrado con el aparato.
- El cable de este adaptador externo flexible no puede sustituirse; en caso de daño del cable, es necesario desechar el adaptador y sustituirlo por un adaptador del mismo modelo.
- El aparato debe desconectarse de la alimentación red eléctrica al extraer la batería.
- Este aparato contiene baterías que son reemplazables.
- ADVERTENCIA: Para recargar la batería batería, utilice únicamente la unidad de alimentación con este aparato.



Unidad de alimentación unidad

- ADVERTENCIA: Peligro de aprisionamiento. Mantenga ropa suelta, pelo, dedos, etc. lejos de los cepillos motorizados.
- ADVERTENCIA: Antes de limpiar o realizar el mantenimiento de la de la toma de corriente antes de limpiar o realizar mantenimiento del aparato.

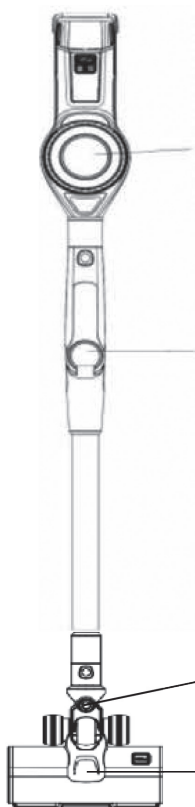
IMPORTANTE

Está prohibido sustituir el cable de alimentación usted mismo si se daña.

Si el aparato se cae, pida a una persona cualificada cualificado antes de volver a utilizarlo. Los daños internos de daños internos podrían causar accidentes. Para cualquier tipo de problema o reparación, por favor póngase en contacto con el servicio de atención al cliente del distribuidor local, el fabricante o una persona cualificada para evitar peligros.

DESCRIPCIÓN DEL DISPOSITIVO

Productos



Aspiradora con tecnología centrífuga con esponja filtrante de aire

Doble filtración, limpieza de alta eficiencia, para lograr el mejor efecto de eliminación de polvo.

Tubo de aluminio de alta calidad, resistente a la corrosión ligera

Diseño de gran longitud, fácil de manejar en lugares altos, grietas y otros rincones difíciles.

Rotación flexible, manejo cómodo.

Rotación libre, eliminación eficaz de la suciedad.

Cepillo eléctrico para suelos

Para limpiar fácilmente todo tipo de suelos, así como alfombras de lana gruesa para eliminar todo tipo de suciedad.

Bloque motor

Lámpara indicadora

Producto de trabajo, indicación de electricidad.

Regulador de velocidad

Controla la velocidad según petición del usuario

Botón interruptor

Puede arrancar/parar rápidamente el aspirador según sea necesario, ahorrando electricidad.

Mango suave

Textura de alta calidad, resistencia al desgaste y al desgarro.

Botón de bloqueo

Combinación flexible de varios accesorios, más cómodo funcionamiento.

Depósito de polvo transparente

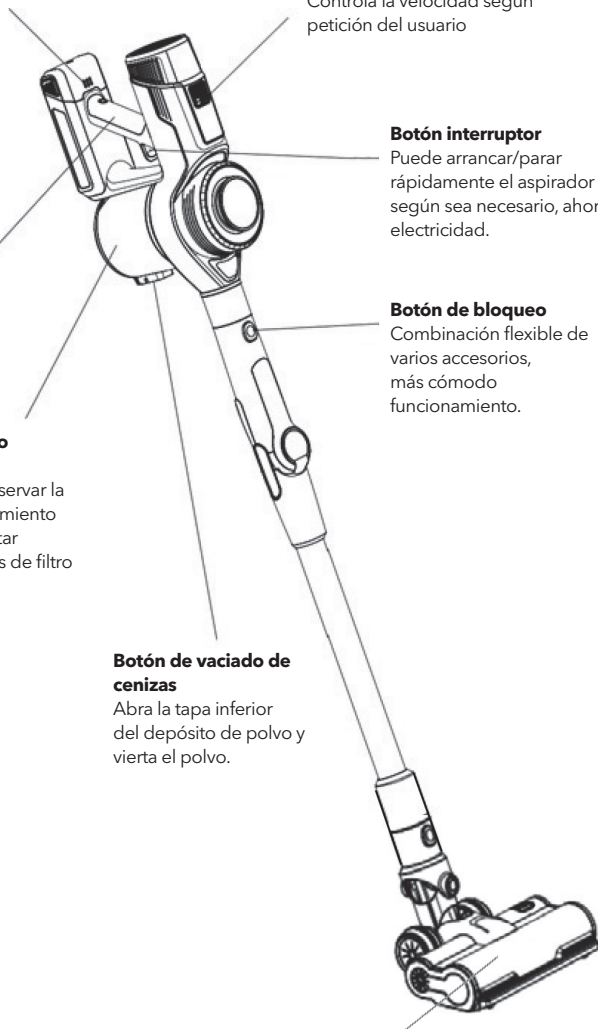
Es conveniente observar la polvo y su procesamiento oportuno, para evitar frecuentes cambios de filtro y costes.

Botón de vaciado de cenizas

Abra la tapa inferior del depósito de polvo y vierta el polvo.

Cepillo eléctrico

Para limpiar fácilmente todo tipo de tipos de suelos, así como alfombras de lana para eliminar todo tipo de suciedad.



Cepillo eléctrico

Rotación flexible, manejo cómodo.
Rotación libre, eliminación eficaz de la suciedad.

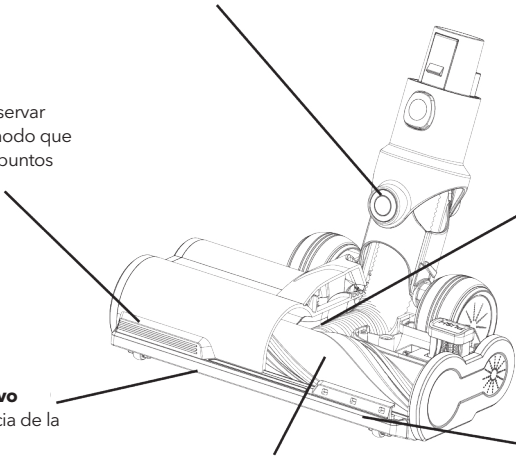
Lámpara LED
Es conveniente observar polvo oscuro, de modo que limpia el polvo sin puntos ciegos.

Cavidad de cepillo rodante
Diseño optimizado de cavidad del cepillo, ayuda a mejorar la tasa de polvo.

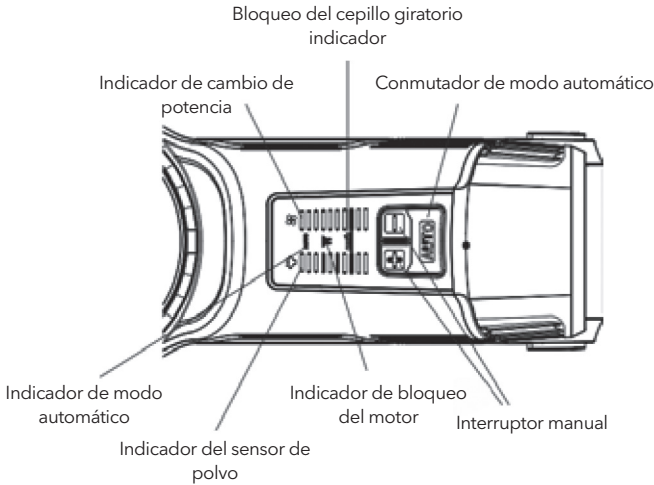
Banda antipolvo
Mejora la eficacia de la limpieza.

Cepillo de nylon
Doble capa de nylon fino cepillo, fácil de tartar la suciedad entre la alfombra y la costura del suelo.

Banda amortiguadora de colisiones
Resistente al desgaste y respetuosa con el medio ambiente, esta cinta protege su



Sensor de polvo



INDICADOR DE CAMBIO DE POTENCIA:

Esta es una opción cuando el "MODO AUTOMÁTICO" está activado para ver el cambio del nivel de potencia.

INDICADOR DE BLOQUEO DEL CEPILLO GIRATORIO:

Indicador indica que el cepillo del motor en el pedal está bloqueado o no funciona. Recomendación de soltar el cepillo para el funcionamiento normal o limpiarlo.

INTERRUPTOR DE MODO AUTOMÁTICO:

Con este interruptor puede activar o desactivar el "MODO AUTOMÁTICO". Funcionamiento de la aspiradora en "Modo automático" significa que la aspiradora funciona con una potencia de succión y cuando aspira una gran cantidad de polvo y pasa sobre el sensor, detecta ese polvo y aumenta la potencia de succión mientras el sensor detecta que hay ya no queda polvo y vuelve a la fuerza anterior de potencia de succión.

INDICADOR DE MODO AUTOMÁTICO:

Este es un indicador de que el modo de limpieza "MODO AUTOMÁTICO" está activado/desactivado.

INDICADOR DEL SENSOR DE POLVO:

Cuando el indicador enciende más de la mitad de las luces, es necesario limpiar el filtro HEPA superior. Ignorar el indicador LED puede provocar efectos secundarios: filtro Hepa obstruido, debilitamiento de la potencia de succión, destrucción del motor.

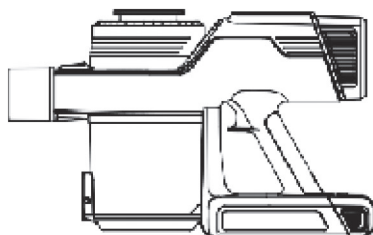
INDICADOR DE BLOQUEO DEL MOTOR:

Este es un indicador cuando el suministro de aire está bloqueado, el flujo de aire al motor está obstruido o interrumpido en el camino del cepillo para pisos, tubería, contenedor de polvo, filtro de metal, filtro HEPA SUPERIOR, filtro HEPA posterior).

INTERRUPTOR MANUAL:

Estos interruptores (+, -) se utilizan para ajustar la potencia de succión, hay cinco niveles de potencia.

CONTENIDO DEL ENVASE



Cuerpo principal



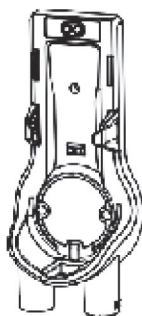
Cepillo eléctrico



Cepillo para polvo 2en1



Herramienta para hendiduras



Plataforma de carga



Cargador



Tubo largo de aluminio con manguera flexible

Debido a la mejora continua del producto, la configuración anterior variará según el modelo. Nosotros reservamos este derecho. El derecho a dar explicaciones es propiedad de la empresa.

INSTRUCCIONES DE USO

Instrucciones de instalación para tubos de aluminio

- Empuje el extremo del tubo de aluminio horizontalmente en el orificio de vacío de la máquina principal para asegurarse de que está compacto y no se afloje, y que la instalación se ha realizado correctamente después de que se oiga el sonido de clack. (figura 1)
- Para extraer el tubo de aluminio, sujete el cuerpo principal con una mano y tire de él con la otra presionando el botón. (figura 2)

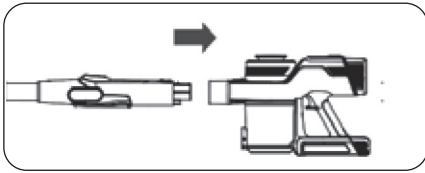


Figura 1

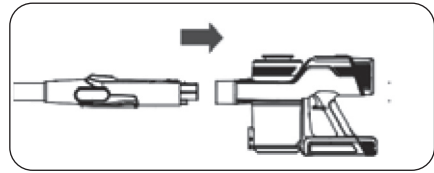


Figura 2

Instrucciones de instalación del cepillo eléctrico

- Empuje un extremo de la boca redonda del cepillo en el extremo del tubo de la salida de aire para asegurarse de que está apretado y no suelto; si se oye el sonido, se ha instalado correctamente (Figura 3).
- Si desea extraer el cepillo, sujételo con una mano y pulse el botón con la otra al mismo tiempo.
- simultáneamente, y el cepillo se extraerá. (Figura 4)
- El cepillo eléctrico también puede utilizar el método de conexión de tubo de aluminio, y ser instalado directamente en el anfitrión.

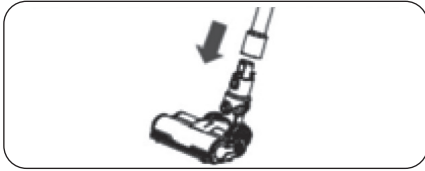


Figura 3



Figura 4

Accesorios

Instrucciones de uso de los accesorios

- Además de utilizar el tubo de aluminio y el cepillo eléctrico, puede utilizar un cepillo 2 en 1 y la boquilla larga para adaptar el producto a todas las situaciones (Fig. 5) :
- Cepillo 2 en 1
- Es adecuado para limpiar habitaciones pequeñas, huecos o superficies de objetos irregulares, como esquinas de paredes, huecos de marcos de ventanas de aleación, interior de electrodomésticos, cajones, cojines de coches, marcos de cuadros, techos, teclados, etc.
- Boquilla larga
- Es adecuada para la limpieza de rincones incómodos, como esquinas, huecos, etc.

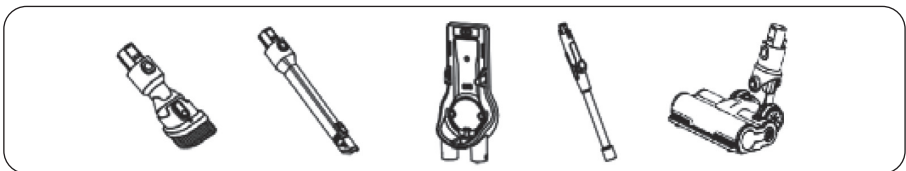


Figura 5 (Accesorios)

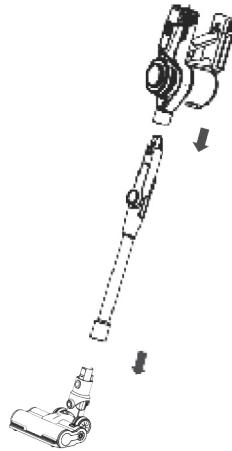


Figura (6, 7)

Los accesorios pueden insertarse de 2 maneras diferentes: directamente en el extremo del tubo flexible (Modo 1) o en el extremo del bloque motor (Modo 2).

Modo 1: Tome el accesorio de boquilla larga, introdúzcalo en el extremo del tubo de aluminio hasta oír un clic que confirma la instalación. Para extraerlo, tire directamente de él.

Coja el accesorio cepillo 2 en 1 y realice la misma manipulación: introdúzcalo en el extremo del tubo de aluminio hasta que oiga un clic que confirme la instalación. que confirme la instalación. Para extraerlo, tire directamente de él. (Figuras 6 y 7)

Modo 2: Para insertar los accesorios directamente en el bloque motor, repita la operación (Figura 8 y 9).

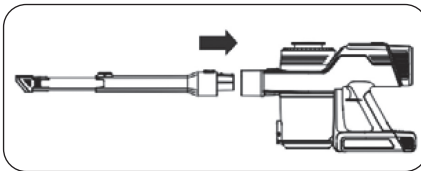


Figura 8

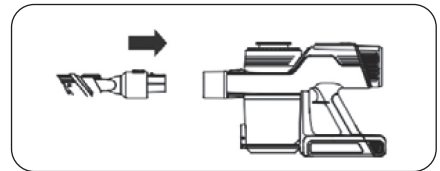


Figura 9

Instrucciones de instalación de la batería

Instale la batería en la máquina en la dirección de (Fig.10) e instálela como (Fig.11) para asegurar que no se afloje. Si se oye sonido, se ha instalado correctamente.

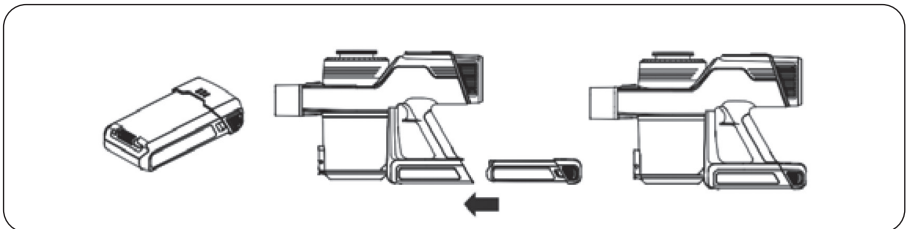


Figura 10

Figura 11

ATENCIÓN:

Para un uso prolongado, guarde la batería en un lugar fresco y seco, y déjela en estado semicargado. Envuelva la batería con un material no conductor para evitar el contacto directo con la batería, que podría dañar la batería.

Utilización

1. Preparación

Antes de usar, instale la batería y compruebe si está cargada. Si no lo está, cárguela a tiempo (consulte "carga del producto"), se puede utilizar después de la recarga. De acuerdo con el área de limpieza, los accesorios se pueden elegir según la demanda. La empresa ha sido especialmente equipada con varios accesorios. Según el área limpia, se puede elegir el uso según el área limpia. (consulte el "Anexo Funcionamiento Instrucciones" para más detalles)

2. Inicio del trabajo

Pulse el "botón interruptor", toque el botón, la máquina empezará a trabajar, si necesita parar el trabajo, afloje el "botón interruptor". (Figura 12)

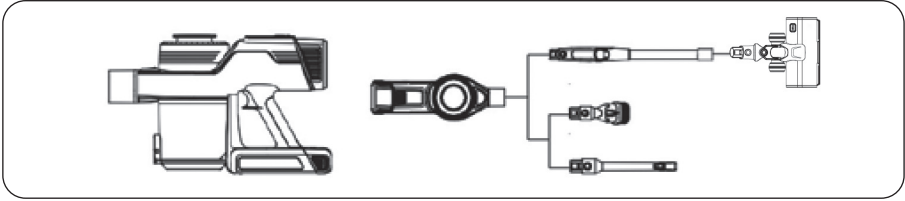


Figura 12

3. Vertido del producto ceniza

Después de parar la máquina, golpee la bandeja de polvo en el lateral del depósito de polvo (Fig. 13). polvo y cierre la tapa del depósito de polvo. (Fig. 14)

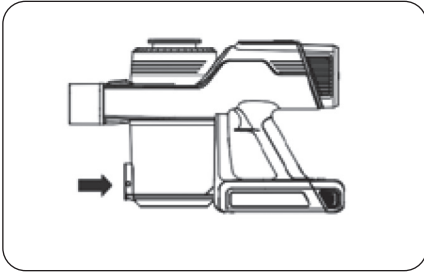


Figura 13

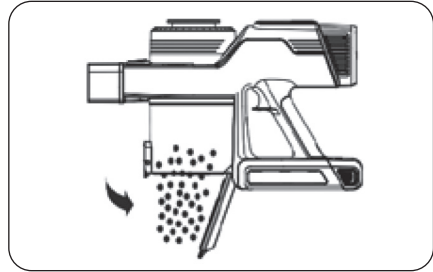


Figura 14

4. Desmontar el núcleo del filtro

Gire y retire la bandeja recogepolvo, tendrá acceso al filtro de acero inoxidable, gírelo para retirarlo. Haga lo inverso para sustituir el filtro de acero inoxidable y la bandeja recogepolvo. (Fig. 15)

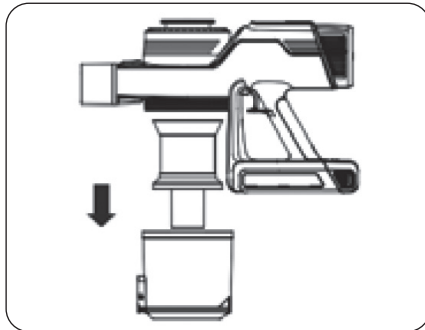


Figura 15

Retire el elemento filtrante en la dirección indicada por la flecha. (Fig. 16)

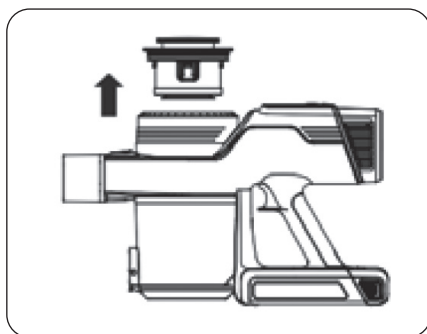


Figura 16

5. Carga del producto

6. Conecte el cargador directamente al aspirador o a la estación de carga (Figura 17) y el otro extremo a una toma de pared de su hogar. (Figura 18)

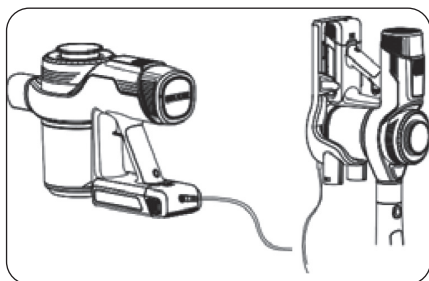


Figura 17

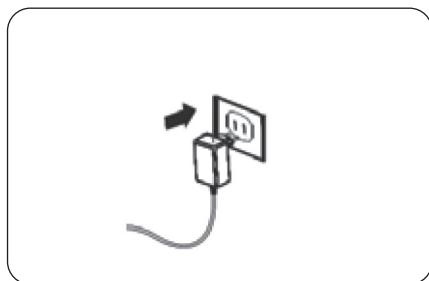


Figura 18

Acerca del indicador de carga

En funcionamiento: la luz se ilumina continuamente.

Parcialmente cargado: El indicador luminoso parpadea.

Completamente cargado: la luz se ilumina de forma continua.

NOTA

- Después de que el producto salga de fábrica, cada 3 meses (en caso de condiciones), utilice nuestro cargador especial para cargar la batería durante 3 horas (no es necesario que esté completamente cargada).
- No cargue la batería durante mucho tiempo, si todavía está cargando más allá del tiempo de carga normal, por favor pare inmediatamente, de lo contrario pueden producirse riesgos como el calentamiento de la batería, deformaciones o quemaduras.
- Cuando la batería no está en servicio durante mucho tiempo o cuando está en descarga profunda, puede disminuir en los primeros veces. Se recomienda descargarla completamente después de cargarla (normalmente más de 6 horas). Sólo es necesario repetir la acción dos veces.

LIMPIEZA Y MANTENIMIENTO

Para no afectar al rendimiento de la máquina, se recomienda realizar el mantenimiento de sus componentes de forma regularmente.

Antes de limpiar el cuerpo principal (el bloque motor) (la sección de sujeción), asegúrese de que la máquina deja de funcionar y de que el producto no está en recarga.

Frote con agua o detergente neutro. Antes de fregar, asegúrese de que el paño esté seco. No infiltre agua en las (Fig. 19) Después de la limpieza, no lo ponga bajo la luz directa del sol o en un lugar húmedo.

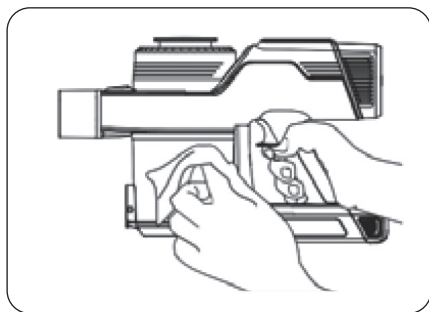


Figura 19

Limpieza del depósito de polvo

Una vez que la cantidad de polvo alcance el valor "MAX", vacíelo lo antes posible y no lo llene en exceso.

Para facilitar el vaciado del depósito de polvo, se recomienda retirar el tubo de aluminio u otros

accesorios antes de la limpieza. Después de parar la máquina, abra la tapa del depósito de polvo y vierta el polvo. Si se encuentra suciedad persistente en la pared Si se encuentra suciedad persistente en la pared interior del depósito de polvo, límpiela cuidadosamente con un trapo húmedo. Después de la limpieza, cierre la tapa del depósito de polvo y asegúrese de que el botón de bloqueo está en su sitio.



NOTA

Después de limpiar la pared interior del depósito de polvo con un trapo húmedo, es necesario ponerlo al sol, y luego cubrir el barril de polvo después de secar a fondo.

Limpieza del filtro de salida

Para garantizar el rendimiento del producto, se recomienda limpiarlo regularmente y sustituirlo al cabo de 3-6 meses. (dependiendo del uso), mantenga pulsado el botón de liberación del filtro de salida de polvo, retire la tapa, retire la esponja y quite el polvo del filtro de esponja. (véase la fig. 16)

Si se acumula demasiado polvo, lávelo a fondo y séquelo antes de cargarlo en el cuerpo principal.



ATENCIÓN

Durante el lavado del filtro de esponja, utilice agua fría y séquelo bien (normalmente a la luz del sol durante 24 horas y, a continuación, vuelva a colocarlo en el cuerpo).

Limpieza del cepillo

Se recomienda limpiar el cepillo una vez después de 4-5 veces de funcionamiento con cepillo eléctrico:

1. Desconecte la alimentación y retire el cepillo eléctrico.
2. Gire el cepillo y gire el botón de bloqueo de la cubierta fija con una moneda para abrir el bloqueo. (Figura 20)
3. Retire el cepillo giratorio para fijar la cubierta, levante un extremo del cepillo giratorio y extraiga el cepillo giratorio. (Figura 21)
4. Utilice unas tijeras u otro instrumento afilado para retirar el pelo de animal enredado y otros residuos. (Figura 22).
5. Cuando haya terminado la limpieza, introduzca un extremo del cepillo de rodillo en el cepillo para suelos y, a continuación, enganche el otro extremo en el cepillo para suelos. (Figura 23)
6. Cubra la tapa y ciérrela.

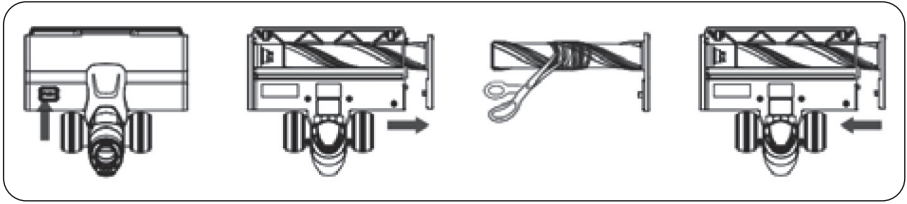


Figura 20

Figura 21

Figura 22

Figura 23

Clasificación y almacenamiento

Almacenamiento de la plataforma de carga: fácil de llevar, ahorra espacio. (Figura 24)

Almacenamiento de accesorios: fácil de coger, fácil de recoger. (Figura 25)

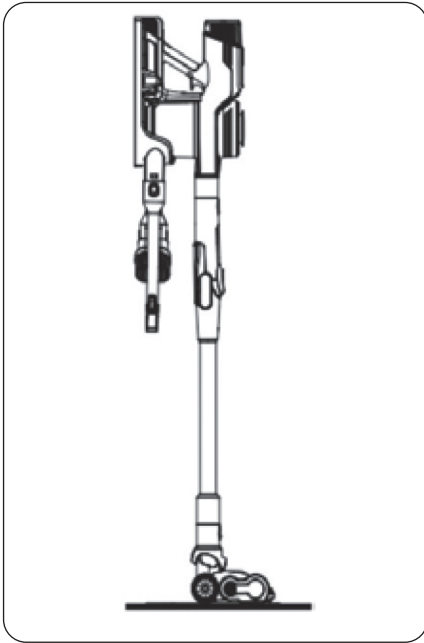


Figura 24

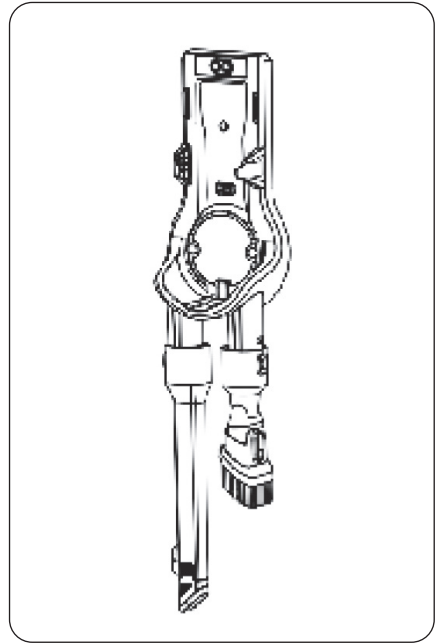


Figura 25

SOLUCIÓN DE PROBLEMAS

Análisis y tratamiento de averías comunes.

Problema	Possible cause	Solution
Posible causa	El producto no tiene electricidad o tiene insuficiente.	Por favor, utilícelo después de que el producto esté lleno de electricidad.
	La abertura de vacío estaba bloqueada.	Limpia la abertura de la aspiradora
La succión del product disminuye.	El barril de polvo, los componentes del filtro están llenos de polvo.	Limpie el barril de polvo y filtre materiales.
	El cepillo rodante se enreda con el pelo, etc.	Limpia el cepillo rodante.
	Tras excluir la situación anterior, la situación sigue siendo la misma.	Póngase en contacto con nuestro servicio posventa para el mantenimiento
El motor funciona con sonido anormal.	El tubo de aspiración principal o el tubo de aluminio está bloqueado.	Despeje los obstáculos dentro de la tubería tubo de aspiración, tubo de aluminio.
	Tras excluir la situación anterior, la situación sigue siendo la misma.	Póngase en contacto con nuestro servicio posventa para el mantenimiento.
El producto no puede recargar.	El ordenador principal y la interfaz del cargador no están bien conectados.	Por favor, compruébalo y conéctalo bien.
	Tras excluir la situación anterior, la situación sigue siendo la misma.	Póngase en contacto con nuestro servicio posventa para el mantenimiento.

Si los pasos anteriores no funcionan correctamente con su dispositivo, póngase en contacto con nuestro departamento de servicio postventa para obtener ayuda.

ESPECIFICACIONES TÉCNICAS

	Parámetros técnicos
Tensión de trabajo (V)	25.2 V
Potencia nominal (W)	400 W
Capacidad de la batería (mAh)	2500 mAh
Capacidad del barril de polvo (L)	0.6 L
Tiempo de carga (h)	Entre 3 y 5 horas
Tiempo de funcionamiento continuo (min)	Hasta 60 minutos
Dimensiones del producto (mm)	369 x 125 x 227 mm
Peso neto (kg)	2.65 kg

EXCLUSIÓN DE GARANTÍAS

La garantía no cubre las piezas de desgaste del producto, ni los problemas o daños derivados de:

- deterioro de la superficie debido al desgaste normal del producto;
- defectos o deterioros debidos al contacto con líquidos y a la corrosión causada por el óxido o la presencia de insectos;
- cualquier incidente, abuso, mal uso, alteración, desmontaje o reparación no autorizada
- el mantenimiento inadecuado, el uso incorrecto en relación con el producto o la conexión a una tensión incorrecta
- cualquier uso de accesorios no suministrados o no aprobados por el fabricante.

La garantía quedará anulada si se retira la placa de características y/o el número de serie del producto.

Eliminación y responsabilidad medioambiental

Con el fin de ser respetuosos con el medio ambiente, le animamos a disponer correctamente de su aparato. Puede ponerse en contacto con las autoridades locales o centros de reciclaje para más información.

DISPOSICIÓN



La presencia de este logotipo en el producto significa que la eliminación del dispositivo se rige por la Directiva 2012/19 / UE de fecha 4 de julio de 2012 relativa a los residuos de aparatos eléctricos y electrónicos (RAEE). Cualquier sustancia peligrosa contenida en aparatos eléctricos o electrónicos puede tener un impacto potencial sobre el medio ambiente y la salud durante el reciclaje. En consecuencia, al final de la vida útil del aparato, éste debe no debe eliminarse con los residuos urbanos sin clasificar. Su papel como consumidor final es esencial en términos de reutilización, reciclaje y obtención de otros tipos de creación de valor a partir de este producto. Puede elegir entre diferentes sistemas de recogida e intercambio organizados por las autoridades locales (centros de reciclaje) y los distribuidores. (centros de reciclaje) y distribuidores. Es su deber utilizar estas posibilidades.

AL FINAL DE LA VIDA ÚTIL DE LA BATERÍA



Este aparato contiene pilas que no son sustituibles.

Las pilas usadas deben contar con un sistema de recogida selectiva para poder ser recicladas reduciendo así el impacto sobre el medio ambiente. Cuando la pila llegue al final de su vida útil, deberá depositarla en un sistema de recogida selectiva adecuado que se encargará de su reciclaje. sistema de recogida selectiva que se encargará de su destrucción y/o reciclaje.

- Si el ácido de la batería se ha derramado, ¡evite el contacto con la piel, los ojos y las mucosas! El líquido que se derrama de la batería puede causar erupciones cutáneas. Si el ácido sigue en contacto con la piel, lave inmediatamente las zonas afectadas con agua limpia y consulte inmediatamente a un médico.
- Las pilas deben instalarse con la polaridad correcta +/-.
- No recargue baterías no recargables por el riesgo de explosión.

IMPORTANTE

Bajo ninguna circunstancia debe desechar el aparato o la batería en la vía pública.

Información para fuentes de alimentación externas para el Reglamento 2019 /1782/UE de la Comisión

	Valor
Tensión de entrada	100-240V
Frecuencia CA de entrada	50/60 Hz
Tensión de salida	30V
Corriente de salida	0.5A
Potencia de salida	15W
Eficiencia activa media	>86.8%
Eficiencia a baja carga (10 %)	>72%
Consumo en vacío	<0.1 W

Usage domestique uniquement.

Veuillez lire attentivement les instructions suivantes avant d'utiliser cet appareil.

MISES EN GARDE IMPORTANTES

MERCI DE BIEN VOULOIR LIRE LES CONSIGNES DE SÉCURITÉ ATTENTIVEMENT AVANT D'UTILISER L'APPAREIL ET CONSERVER POUR RÉFÉRENCE ULTÉRIEURE.



Consignes de sécurité :

- **La batterie doit être éliminée de façon sûre.**
- Ne pas utiliser à côté des marches ou sur les balcons. Cette machine n'a pas de capteurs d'évitement de pas.
- Cet appareil peut être utilisé par des enfants à partir de 8 ans et par des personnes ayant des capacités physiques, sensorielles ou mentales réduites ou un manque d'expérience et de connaissances à condition qu'elles aient été placées sous surveillance ou qu'elles aient reçu des instructions concernant l'utilisation de l'appareil en toute sécurité et qu'elles comprennent les dangers encourus. Les enfants ne doivent pas jouer avec l'appareil. Le nettoyage et l'entretien par l'utilisateur ne doivent pas être effectués par des enfants, sans surveillance.
- Cet appareil est destiné à un usage domestique uniquement.
- Cette unité convient pour les tapis à dossier bas à moyen. Il ne convient pas aux sols irréguliers ou aux moquettes mixtes.
- Enlevez la brosse latérale lors du nettoyage du sous-tapis pour protéger la brosse latérale.
- Si le cordon d'alimentation de l'adaptateur est endommagé, l'adaptateur doit être mis au rebut.
- Rechargez la/les batterie/s uniquement avec le chargeur fourni par le fabricant
- N'utilisez l'appareil qu'avec sa (ses) batterie(s) spécialement créée(s) à cet effet. L'utilisation de toute(s) autre(s) batterie(s) pourrait occasionner un danger d'explosion ou d'incendie
- Veuillez utiliser un adaptateur pour utiliser ce produit uniquement.
- Ne pas utiliser sur des poussières humides ou grasses.
- Avant l'utilisation, éloignez les objets fragiles (verre, lumière, etc.) et d'autres objets susceptibles d'enchevêtrer les brosses (cheveux longs, sac en plastique, corde, fil de fer, etc.).
- Ne vous asseyez pas sur la machine et ne mettez pas de choses lourdes dessus.
- **MISE EN GARDE** : Assurez-vous que l'appareil peut fonctionner librement dans la pièce (qu'il n'est pas bloqué par un obstacle, qu'il ne peut pas se renverser) et qu'il n'y a pas d'obstacle sur lequel l'appareil pourrait se renverser et créer un risque de danger (comme une bougie allumée ou un vase rempli d'eau).
- Nettoyez régulièrement la machine.
- Videz le récipient à poussière.
- Chargez la machine sans l'utiliser pendant trois mois.
- Ne le rechargez qu'en cas d'alarme de faible puissance

ou de mise hors tension. L'utiliser après l'avoir complètement chargé.

- La batterie doit être retirée de l'appareil avant sa mise au rebut; l'appareil doit être débranché du secteur lors du retrait de la batterie;
- Ne jetez pas les piles usagées avec les déchets ménagers. Éliminez-les conformément à la réglementation locale.
- Rechargez la batterie/ le robot uniquement avec l'adaptateur fourni avec l'appareil.
- Le câble souple externe de cet adaptateur ne peut pas être remplacé; en cas d'endommagement du cordon, il convient de mettre l'adaptateur au rebut et de le remplacer par un adaptateur de même modèle.
- L'appareil doit être déconnecté du réseau d'alimentation lorsqu'on retire la batterie.
- Cet appareil contient des batteries qui ne peuvent pas être remplacées.
- **MISE EN GARDE**: Pour le rechargement de la batterie, utiliser uniquement l'unité d'alimentation amovible fournie avec l'appareil.



Unité d'alimentation amovible

- **AVERTISSEMENT** : Risque de piégeage. Tenir les vêtements amples, les cheveux, les doigts, etc. à l'écart des brosses et des buses motorisées.
- **AVERTISSEMENT** : la fiche doit être retirée de la prise de courant avant de nettoyer ou d'entretenir l'appareil.

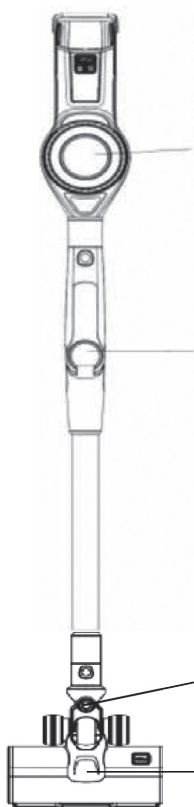
IMPORTANT

Il est interdit de remplacer le câble d'alimentation par vous-même. En cas de dommage.

Si l'appareil est tombé, veuillez demander à une personne qualifiée de le vérifier avant de l'utiliser à nouveau. Des dommages internes pourraient entraîner des accidents. Pour tout type de problèmes ou de réparations, veuillez contacter le service après-vente du distributeur local, le fabricant ou une personne qualifiée, afin d'éviter tout risque de danger.

DESCRIPTION DE L'APPAREIL

Présentation du produit



Aspirateur à technologie centrifuge Aspirateur avec la technologie centrifuge éponge de filtrage de l'air

Double filtration et nettoyage haute efficacité pour garantir les meilleures performances d'aspiration de la poussière.

Tube en aluminium de haute qualité résistant aux taches de corrosion

Conception en longueur pour permettre l'accès facile aux emplacements en hauteur, dans les fentes et les coins difficiles d'accès.

Rotation pour plus de flexibilité, utilisation pratique.

Rotation libre, retrait efficace de la saleté.

Electro-brosse

Pour nettoyer facilement tout type de sols ainsi que les tapis en laine épais pour en retirer tout type de saleté.

Bloc moteur

Voyant indicateur

Indicateur de fonctionnement et d'alimentation

Régulateur de vitesse

Contrôle de la vitesse selon les besoins de l'utilisateur

Bouton d'alimentation

Pour allumer/éteindre rapidement l'aspirateur comme désiré et économiser l'électricité.

Poignée soft touch

Texture de qualité supérieure, résistance à l'usure

Bouton de verrouillage

Combinaison adaptable d'accessoires variés pour une utilisation plus pratique.

Bac à poussière transparent

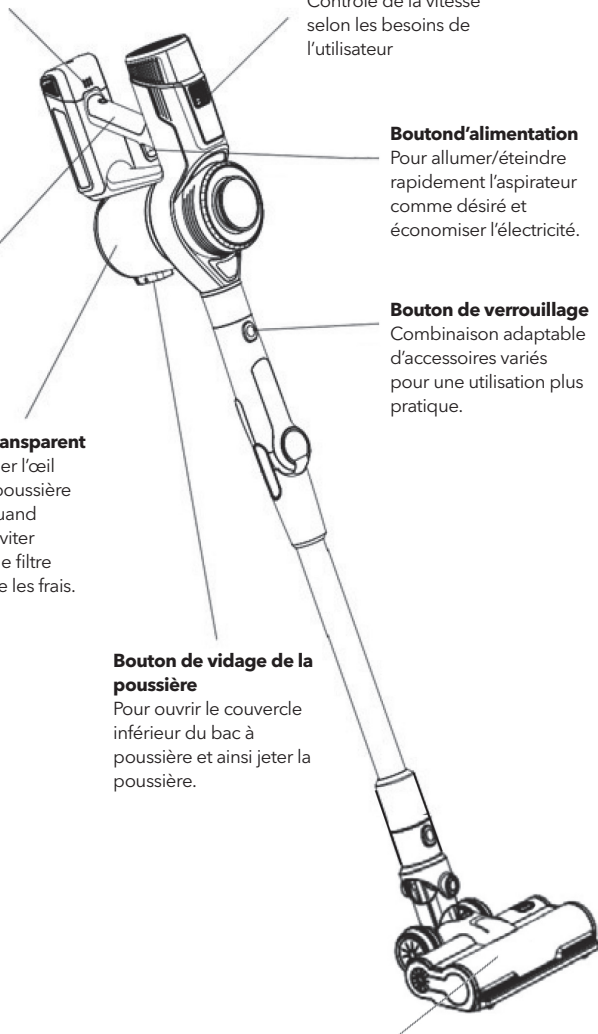
Pratique pour garder l'œil sur la quantité de poussière aspirée et savoir quand vider le bac pour éviter les changements de filtre fréquents et réduire les frais.

Bouton de vidage de la poussière

Pour ouvrir le couvercle inférieur du bac à poussière et ainsi jeter la poussière.

Electro-brosse

Pour nettoyer facilement tout type de sols ainsi que les tapis en laine épais pour en retirer tout type de saleté.



Electro brosse

Rotation pour plus de flexibilité, utilisation pratique.

Lampe LED

Pratique pour éclairer les espaces sombres pour ne pas manquer de poussière

Logement de la brosse rotative

Conception optimisée du logement pour améliorer la capacité de retrait de la poussière.

Bande à poussière

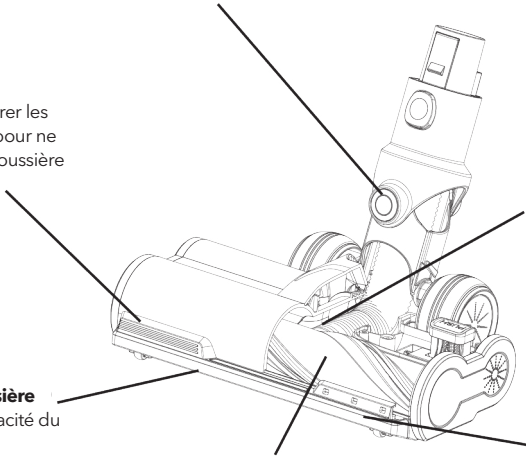
Améliore l'efficacité du nettoyage.

Brosse en nylon

Brosse à poils fins en nylon à deux couches pour améliorer l'efficacité de nettoyage des tapis en laine à poils courts et les fentes au sol.

Bande de protection contre les chocs

Résistante à l'usure écologique, cette bande protège vos meubles.



Capteur de poussière

Indicateur de blocage de la brosse rotative

Indicateur de niveau de charge

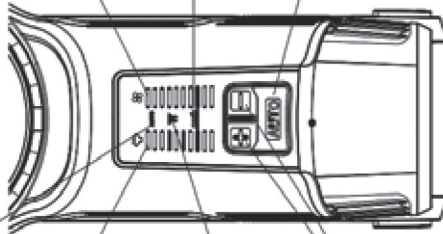
Bouton de mode Auto

Indicateur de mode Auto

Indicateur de blocage du moteur

Bouton Manuel

Indicateur du capteur de poussière



Indicateur de changement de puissance :

Il s'agit d'une option lorsque le "MODE AUTO" est activé pour voir le changement de niveau de puissance.

Indicateur de verrouillage de la brosse rotative :

L'indicateur indique que la brosse du moteur dans la pédale est bloquée ou ne fonctionne pas. Recommandation de libérer la brosse pour un fonctionnement normal ou de la nettoyer.

Commutateur de mode automatique :

Avec ce commutateur, vous pouvez activer ou désactiver le "MODE AUTO". Fonctionnement de l'aspirateur. En "Mode Auto", cela signifie que l'aspirateur fonctionne à une force de puissance d'aspiration et lorsqu'il aspire une grande quantité de poussière et qu'il passe sur le capteur, il détecte cette poussière et augmente la puissance d'aspiration tandis que le capteur détecte qu'il n'y a plus de poussière et revient à la puissance d'aspiration précédente.

Indicateur de mode automatique :

Il s'agit d'un indicateur que le mode de nettoyage "AUTO MODE" est activé/désactivé.

Indicateur du capteur de poussière :

Lorsque le voyant s'allume plus de la moitié des lumières, il est nécessaire de nettoyer le filtre HEPA supérieur. Ignorer l'indicateur led peut entraîner des effets secondaires : filtre Hepa encrassé, affaiblissement de la puissance d'aspiration, destruction du moteur.

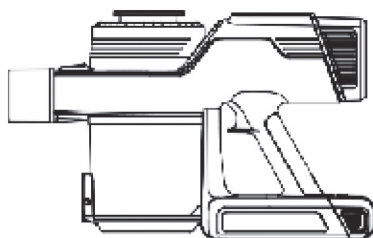
Témoin de blocage moteur :

Ceci est un indicateur lorsque l'alimentation en air est bloquée, le flux d'air vers le moteur est obstrué ou interrompu sur le chemin de la brosse à plancher, du tuyau, du bac à poussière, du filtre métallique, du filtre HEPA TOP, du filtre HEPA arrière).

Commutateur manuel :

Ces interrupteurs (+, -) permettent de régler la puissance d'aspiration, il existe cinq niveaux de puissance.

CONTENU DE L'EMBALLAGE



Boîtier principal



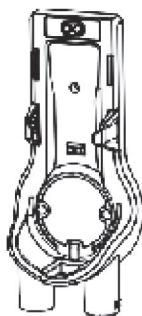
Electro-brosse



Brosse à poussière 2 en 1



Suceur long



Station de charge



Chargeur



Tube en aluminium grande longueur avec Flexible

La configuration décrite ci-dessus est sujette à changements selon les modèles, car nous nous efforçons de toujours améliorer nos produits. Nous nous réservons le droit d'effectuer ces changements. La compagnie se réserve le droit d'annoncer ces changements.

INSTRUCTIONS D'UTILISATION

Instructions d'installation du tube d'aluminium

- Poussez l'extrémité du tube d'aluminium horizontalement dans le trou d'aspiration du boîtier principal en vous assurant qu'il est complètement enfoncé et qu'il est solidement installé. Le tube s'enclenche audiblement pour confirmer son installation. (Figure 1)
- Pour retirer le tube d'aluminium, tenez le boîtier principal d'une main et tirez dessus de l'autre main en appuyant sur le bouton. (Figure 2)

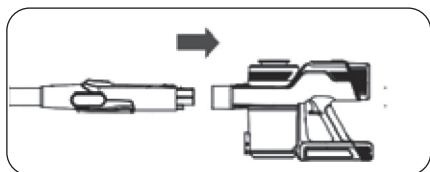


Figure 1

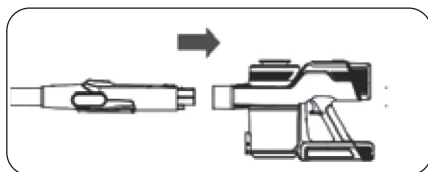


Figure 2

Instructions d'installation de la brosse électrique

- Poussez une extrémité de l'ouverture circulaire de la brosse dans l'extrémité du tube d'expulsion de l'air en vous assurant qu'elle est complètement enfoncée et qu'elle est solidement installée. L'installation est terminée (Figure 3).
- Pour retirer la brosse, tenez-la d'une main et appuyez sur le bouton de l'autre main en tirant sur la brosse. (Figure 4)
- Vous pouvez installer la brosse sur le tube d'aluminium ou directement sur le boîtier principal de l'aspirateur.



Figure 3



Figure 4

Accessoires

Instructions d'utilisation des accessoires

En plus d'utiliser le tube d'aluminium et l'électro brosse, vous pouvez utiliser une brosse 2 en 1 et le suceur long pour adapter le produit à toutes les situations (Fig. 5) :

- La brosse 2 en 1
Convient pour le nettoyage des pièces de petites dimensions, des recoins et des objets de forme irrégulière tels que les coins de murs, les cadres de fenêtres métalliques, l'intérieur des appareils ménagers, les tiroirs, les coussins de voiture, les cadres photo, les plafonds, les claviers, etc.
- Le suceur long
Convient pour le nettoyage des zones difficiles d'accès tels que les coins, les fentes, etc.

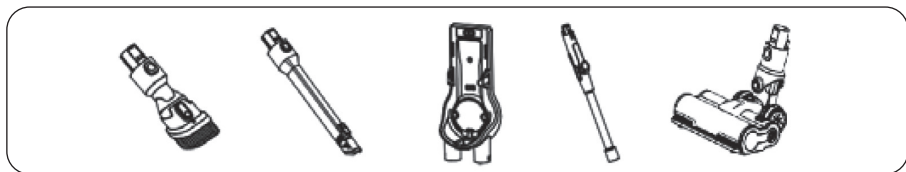


Figure 5 (Accessoires)

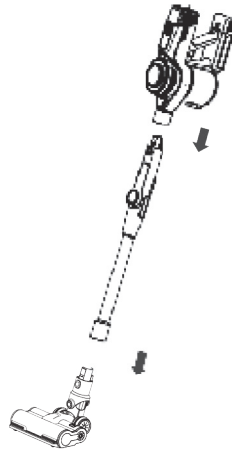


Figure (6, 7)

Vous pouvez insérer les accessoires de 2 manières différentes :

directement à l'extrémité du tube flexible (Mode 1) ou à l'extrémité du bloc moteur (Mode 2)

Mode 1 : Prenez l'accessoire suceur long, insérez-le à l'extrémité du tube aluminium jusqu'à ce que vous entendiez un déclic qui confirme l'installation. Pour le retirer, tirez directement dessus.

Prenez l'accessoire brosse 2 en 1 et faite la même manipulation : insérez le dans l'extrémité du tube aluminium jusqu'à ce que vous entendiez un déclic qui confirme l'installation.

Pour le retirer, tirez directement dessus. (Figure 6 et 7)

Mode 2 : Pour insérer les accessoires directement au bloc moteur, renouveler la manipulation (Figure 8 et 9).

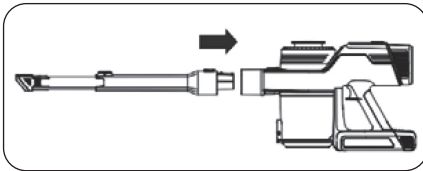


Figure 8

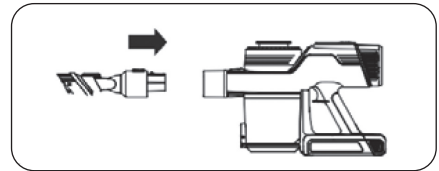


Figure 9

Instructions d'installation de la batterie

Placez la batterie dans l'appareil dans la direction indiquée (Fig.10) puis installez-la comme décrit (Fig.11) pour garantir qu'elle soit solidement en place, vous entendrez un déclic confirmant l'installation.

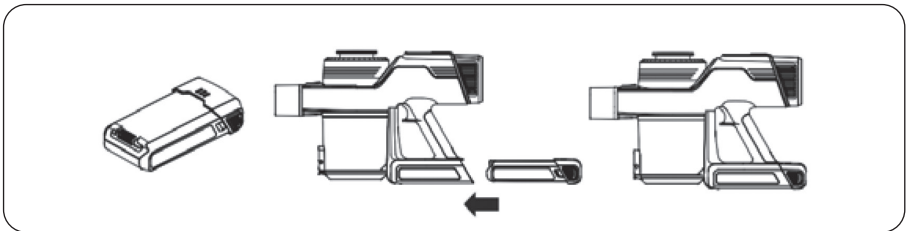


Figure 10

Figure 11

ATTENTION:

Pour garantir la longévité de la batterie, conservez-la dans un lieu frais et sec, et veillez à ce qu'elle soit toujours chargée. Emballez la batterie dans un matériau non conducteur pour éviter qu'elle n'entre en contact avec d'autres objets qui pourraient l'endommager.

Utilisation

1. Préparations

Avant l'utilisation, installez la batterie dans l'aspirateur et assurez-vous qu'elle est chargée. Si ce n'est pas le cas, chargez-la aussitôt que possible (voir « charger le produit ») avant de l'utiliser.

Sélectionnez les accessoires adaptés à la surface que vous souhaitez nettoyer.

L'appareil est livré avec différents accessoires adaptés aux différentes situations. Vous pouvez sélectionner les accessoires à utiliser selon la surface que vous souhaitez nettoyer. (voir la section « Instructions d'utilisation » pour plus de détails)

2. Commencer le nettoyage

Appuyez sur le « bouton d'alimentation » puis touchez le bouton pour activer l'appareil. Pour l'arrêter, relâchez le bouton « bouton d'alimentation » Figure 12.

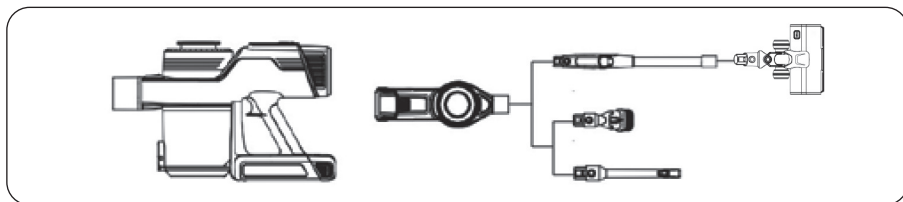


Figure 12

3. Vider la poussière du produit

Après avoir arrêté l'appareil, pressez le bouton sur le côté du bac à poussière (Fig. 13) pour ouvrir le bac à poussière et vider la poussière qu'il contient. Refermez ensuite le bac à poussière. (Fig. 14)

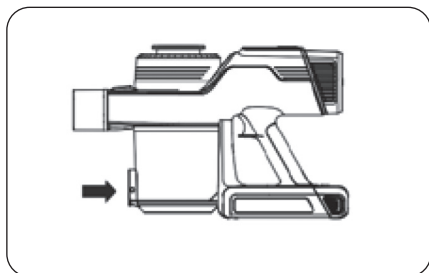


Figure 13

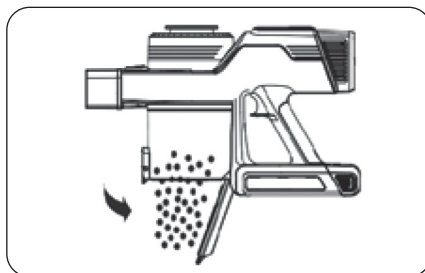


Figure 14

4. Démonter l'ensemble du bac à poussière :

Faites tourner et retirez le bac à poussière, vous avez accès au filtre inox, tournez le pour l'enlever. Faites la manipulation inverse pour le remettre en place le filtre inox et le bac à poussière. (Fig. 15)

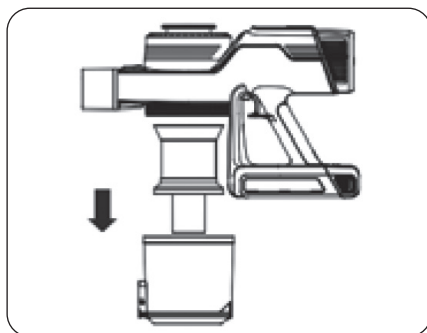


Figure 15

Retirez le filtre moteur dans la direction indiquée par la flèche. (Fig. 16)

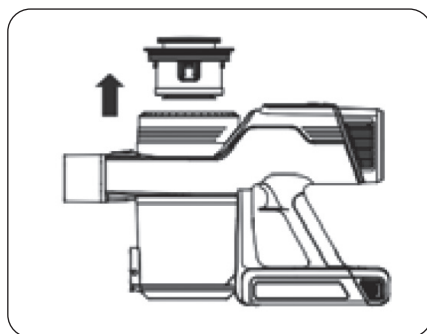


Figure 16

5. Charger le produit

Branchez directement le chargeur à l'aspirateur ou à la station de charge (Figure 17) et l'autre extrémité à une prise murale chez vous. (Figure 18)

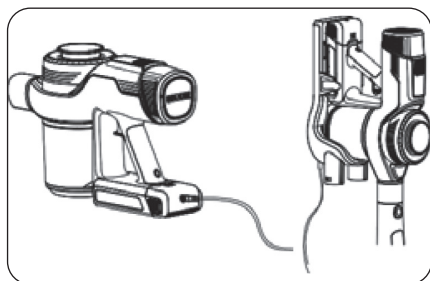


Figure 17

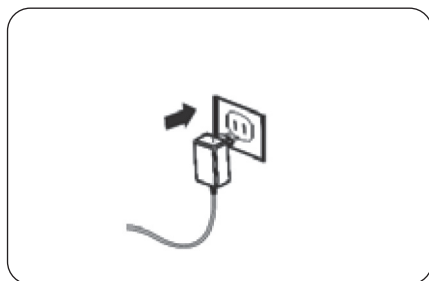


Figure 18

Description du voyant de charge

En fonctionnement : le voyant est illuminé en continu.

Partiellement chargé : le voyant clignote

Pleinement chargé : le voyant est illuminé en continu.

REMARQUE

- Après fabrication du produit, tous les trois mois (selon les conditions d'utilisation), veuillez utiliser le chargeur spécial pour charger la batterie pendant 3 heures (elle n'a pas besoin d'être pleinement chargée).
- Ne chargez pas la batterie pendant trop longtemps. Si le chargeur reste branché pendant une longue durée après pleine charge, cessez immédiatement car il y a des risques de surchauffe de la batterie, de déformation et d'incendie.
- Si la batterie n'a pas été utilisée pendant une durée prolongée, ou qu'elle a été très déchargée, sa capacité pourrait être réduite pendant les quelques premières utilisations. Il est recommandé de décharger la batterie complètement après la charge (généralement plus de 6 heures). Vous n'avez besoin de répéter cette action que deux fois.

NETTOYAGE ET ENTRETIEN

Pour maintenir les performances de l'appareil, il est recommandé d'effectuer l'entretien de ses composants avec régularité.

Avant de nettoyer le boîtier principal, (le bloc moteur) (la section tenue en main), assurez-vous que l'appareil est éteint et qu'il n'est pas en charge.

Essuyez-le avec de l'eau ou un détergent neutre. Avant de commencer à essuyer, assurez-vous que le chiffon est sec. Ne laissez pas l'eau s'infiltrer dans l'aspirateur (Fig. 19)

Après nettoyage, ne pas placer sous la lumière directe du soleil ou dans un lieu humide.

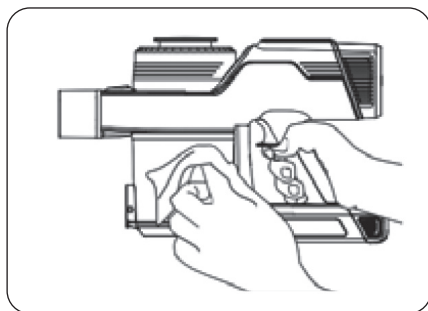


Figure 19

Nettoyage du bac à poussière

Lorsque la quantité de poussière atteint la marque « MAX », nettoyez le bac à poussière aussitôt que possible pour ne pas le laisser se remplir en excès.

Pour simplifier la procédure de vidage du bac à poussière, il est recommandé que vous retirez le tuyau d'aluminium ou les autres accessoires avant le nettoyage.

Après avoir éteint l'appareil, ouvrez le bac à poussière et jetez la poussière. Si de la poussière récalcitrante reste collée aux parois du bac à poussière, essuyez-la avec précautions avec un chiffon humide.

Après nettoyage, refermez le bac à poussière et assurez-vous que le bouton de verrouillage est bien en place.

REMARQUE Après avoir essuyé la paroi intérieure du bac à poussière avec un chiffon humide, posez-le au soleil puis réinstallez-le après séchage complet.

Nettoyage du filtre de sortie d'air

Pour garantir les performances du produit, il est recommandé de le nettoyer avec régularité et de le remplacer tous les 3 à 6 mois. (Selon la fréquence d'utilisation). Maintenez appuyé le bouton de libération du bac à poussière et retournez le cache, retirez-en l'éponge et nettoyez la poussière qu'elle contient. (voir la Fig. 16)

Si une trop grande quantité de poussière s'est accumulée, lavez le filtre éponge avec soin et séchez-le avant de l'installer dans le boîtier principal.

REMARQUES ! Pour nettoyer le filtre éponge, utilisez de l'eau froide puis laissez sécher en totalité (en général 24 heures au soleil), puis réinstallez-la dans le boîtier.

Nettoyer la brosse

Nous vous recommandons de nettoyer la brosse une fois après 4 à 5 utilisations de la brosse électrique :

1. Coupez l'alimentation et retirez l'électro-brosse.
2. Retournez la brosse et faites tourner le bouton de verrouillage avec une pièce pour ouvrir le verrou. (Figure 20)
3. Retirez la brosse rotative pour fixer le couvercle, soulevez une extrémité de la brosse rotative pour la retirer. (Figure 21)
4. Utilisez une paire de ciseaux ou un autre instrument tranchant pour retirer les cheveux et poils d'animaux emmêlés et les autres déchets (Figure 22).
5. Lorsque le nettoyage est terminé, repositionnez de la brosse rotative dans le boîtier puis enclenchez l'autre extrémité dans la brosse à sol. (Figure 23)
6. Remettez le couvercle en place et verrouillez-le.

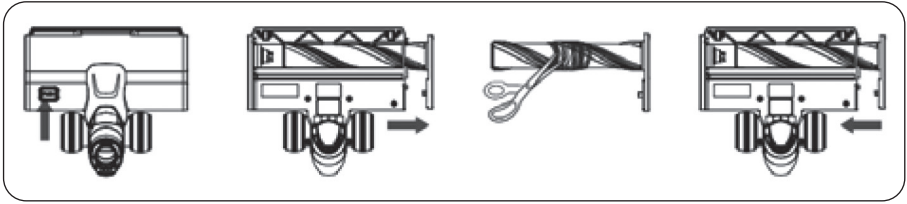


Figure 20

Figure 21

Figure 22

Figure 23

Organisation et stockage

Rangement sur la station de charge : accès facile à l'aspirateur et économe en espace. (Figure 24)

Rangement des accessoires : accès facile et simple à ranger. (Figure 25)

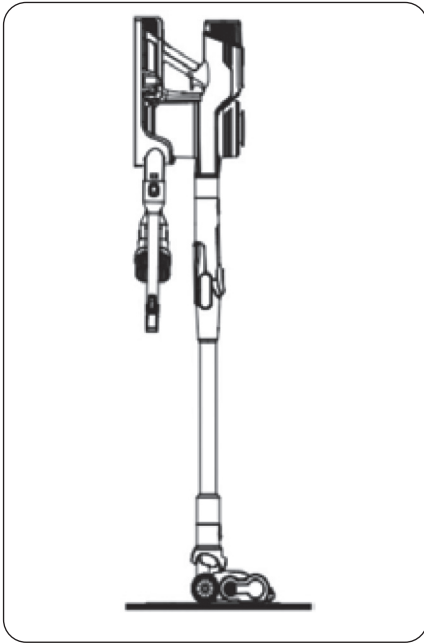


Figure 24

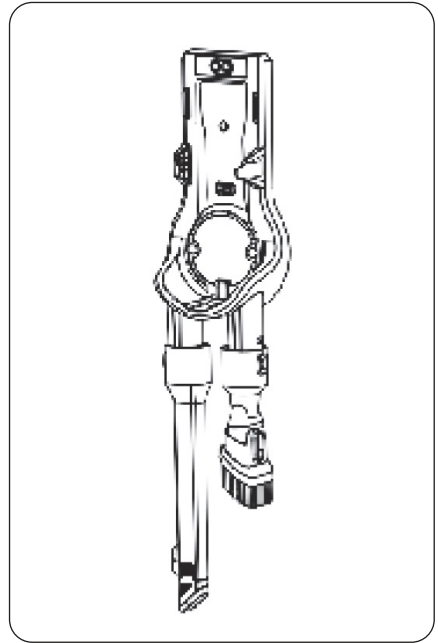


Figure 25

DÉPANNAGE

Détermination et traitement des erreurs courantes

Problème	Cause possible	Solution
L'aspirateur ne fonctionne pas.	Le produit n'est pas alimenté ou l'alimentation n'est pas suffisante.	Utilisez le produit après vous être assuré que l'alimentation est correcte.
	L'ouverture d'aspiration de l'aspirateur est obstruée.	Nettoyez l'ouverture d'aspiration de l'aspirateur.
La puissance d'aspiration du produit décroît.	Le bac à poussière et les filtres sont surchargés de poussière.	Nettoyez le bac à poussière et les filtres.
	La brosse rotative est emmêlée dans des cheveux, etc.	Nettoyez la brosse rotative.
	Le problème n'est pas réglé après application de ces solutions.	Veillez prendre contact avec notre service après-vente pour faire effectuer un entretien.
Le moteur fonctionne avec un bruit anormal	Le tuyau d'aspiration principal ou le tuyau d'aluminium est bloqué.	Nettoyez les obstructions dans le tuyau d'aspiration ou dans le tuyau d'aluminium.
	Le problème n'est pas réglé après application de ces solutions.	Veillez prendre contact avec notre service après-vente pour faire effectuer un entretien.
Le produit ne se recharge pas.	L'ordinateur principal et la prise du chargeur ne sont pas bien connectés.	Veillez vérifier la connexion et l'effectuer correctement.
	Le problème n'est pas réglé après application de ces solutions.	Veillez prendre contact avec notre service après-vente pour faire effectuer un entretien.

Si le produit ne fonctionne toujours pas correctement après application des étapes ci-dessus, prenez contact avec notre département après-vente pour obtenir de l'assistance.

SPÉCIFICATIONS TECHNIQUES

	Caractéristiques techniques
Tension en fonctionnement (V)	25.2 V
Puissance nominale (W)	400 W
Capacité de la batterie (mAh)	2500 mAh
Capacité du bac à poussière (L)	0.6 L
Durée de charge (h)	Entre 3 à 5 heures
Autonomie (min)	Jusqu'à 60 minutes
Dimensions du produit (mm)	369 x 125 x 227mm
Poids net (kg)	2.65 kg

EXCLUSION DE GARANTIE

La garantie ne couvre pas les pièces d'usure du produit, ni les problèmes ou les dommages résultant de :

1. Détériorations superficielles dues à l'usure normale du produit ;
2. Défauts ou détériorations dus au contact du produit avec des liquides et dus à la corrosion provoquée par la rouille ou de présence d'insectes;
3. Tout incident, abus, utilisation impropre, modification, démontage ou réparation non autorisés;
4. Toute opération impropre d'entretien, utilisation non conforme aux instructions concernant le produit ou le branchement à une tension incorrecte ;
5. Toute utilisation d'accessoires non fournis ou non approuvés par le fabricant.

La garantie sera annulée en cas d'élimination de la plaque signalétique et/ou du numéro de série du produit.

Mise au rebut et responsabilité environnementale

Afin d'être respectueux de l'environnement, nous vous encourageons à jeter correctement l'appareil. Vous pouvez contacter les autorités locales ou les centres de recyclage pour plus d'informations.

MISE AU REBUT :



La présence de ce logo sur le produit signifie que la mise au rebut de l'appareil est encadrée par la directive 2012/19/EU datée du 4 juillet 2012 relative aux déchets d'équipements électriques et électroniques (DEEE).



Toute substance dangereuse contenue dans un équipement électrique ou électronique peut avoir un impact potentiel sur l'environnement et la santé au cours de son recyclage. En conséquence, en fin de vie utile de l'appareil, celui-ci ne doit pas être jeté avec les déchets municipaux non-triés.

Votre rôle de consommateur final est essentiel en termes de réutilisation, de recyclage et d'obtention d'autres types de création de valeurs à partir de ce produit. Vous avez le choix de différents systèmes de collecte et d'échanges organisés par les autorités locales (centres de recyclage) et les distributeurs. Il est de votre devoir de recourir à ces possibilités.

EN FIN DE VIE DE LA BATTERIE :



Cet appareil contient des piles non remplaçables. Les batteries usagées doivent être prises en charge par un système de collecte sélective afin de pouvoir être recyclées et ainsi réduire l'impact sur l'environnement.

Lorsque la batterie atteint sa fin de vie utile, vous devez la déposer dans un système de collecte sélective appropriée qui se chargera de sa destruction et/ou son recyclage.

- Si l'acide de la batterie a coulé, évitez tout contact avec la peau, les yeux et les muqueuses ! Le liquide qui fuit de la batterie peut provoquer des éruptions cutanées. Si de l'acide devait malgré tout entrer en contact avec la peau, rincez immédiatement et abondamment les zones concernées à l'eau claire et consultez un médecin sans tarder.
- Les piles doivent être installées en respectant la polarité +/-.
- Ne pas recharger les piles non rechargeables à cause des risques d'explosion.

IMPORTANT

En aucun cas vous ne devez jeter l'appareil ou la batterie sur la voie publique

Fiche technique du sources d'alimentation externe la de directive européenne (UE) 2019/1782

	Valeur
Tension d'entrée	100-240V
Fréquence du CA d'entrée	50/60 Hz
Tension de sortie	30V
Courant de sortie	0.5A
Puissance de sortie	15W
Rendement moyen en mode actif	>86.8%
Rendement à faible charge (10 %)	>72%
Consommation électrique hors charge	<0.1 W

Bitte lesen Sie die folgenden Anweisungen vor Verwendung dieses Gerätes sorgfältig durch. Bewahren Sie die Bedienungsanleitung für späteres Nachschlagen gut auf.

WICHTIGE SICHERHEITSHINWEISE

BITTE LESEN SIE DIESE SICHERHEITSHINWEISE VOR DEM BETRIEB SORGFÄLTIG DURCH UND BEWAHREN SIE SIE FÜR ZUKÜNFTIGEN BEZUG AUF.



Sicherheitshinweise

- **Entfernen und entsorgen Sie den Akku gesundheits- und umweltgerecht.**
- Entfernen und entsorgen Sie den Akku gesundheits- und umweltgerecht.
- Nicht in der Nähe von Treppen und nicht auf Balkonen verwenden. Dieses Gerät verfügt über keinen Cliff-Sensor.
- Dieses Gerät darf nicht von Kindern unter 8 Jahren und Personen mit eingeschränkten körperlichen, sensorischen oder geistigen Fähigkeiten oder einem Mangel an Erfahrung und Wissen verwendet werden, wenn sie angemessen beaufsichtigt werden oder in der sicheren Verwendung des Gerätes unterwiesen wurden und die damit verbundenen Gefahren verstehen. Kinder dürfen mit dem Gerät nicht spielen. Reinigung und Wartung dürfen nicht von Kindern ohne Aufsicht durchgeführt werden.
- Dieses Gerät ist ausschließlich für den Hausgebrauch bestimmt.
- Dieses Gerät ist für Teppiche mit kurzem bis mittellangem Flor geeignet. Es ist nicht für unebene Boden oder gemischte Teppiche geeignet.
- Entfernen Sie die Seitenbürste bei der Reinigung unter Teppichen, um die Seitenbürste zu schützen.
- Wenn das Kabel des Steckerladegeräts beschädigt ist, muss das Steckerladegerät entsorgt werden.
- Laden Sie den/die Akku(s) nur mit dem vom Hersteller mitgelieferten Ladegerät.
- Verwenden Sie das Gerät mit dem/den speziell für diesen Zweck gefertigten Akku(s). Die Verwendung von einem/mehreren Fremdkaku(s) kann zu einer Explosion oder einem Brand führen.
- Verwenden Sie ein Steckerladegerät, das nur zum Gebrauch mit diesem Produkt vorgesehen ist.
- Verwenden Sie das Produkt nicht mit nassem oder fett-haltigem Staub.
- Schützen Sie vor dem Gebrauch zerbrechliche Objekte (Glas, Lampen usw.) und andere Gegenstände, die sich in den Bürsten verfangen können (lange Haare, Plastiktuten, Seile, Drahte usw.).
- Setzen Sie sich nicht auf das Gerät und legen Sie keine schweren Gegenstände auf ihm ab.
- **WARNUNG:** Vergewissern Sie sich, dass sich das Gerät frei im Raum bewegen kann (nicht durch Hindernisse blockiert wird, nicht herunter oder umfällt) und dass keine Hindernisse vorhanden sind, die durch das Gerät umkippen und eine Gefahr darstellen können (z. B. brennende Kerzen oder mit Wasser gefüllte Vasen).
- Reinigen Sie das Gerät regelmässig.
- Leeren Sie den Staubbehälter aus.
- Laden Sie das Gerät auf, wenn es drei Monate lang nicht benutzt wurde.
- Laden Sie das Gerät im Falle eines Alarms oder einer Abschaltung mit geringen Akkustand auf. Nehmen Sie das Gerät nach dem vollständigen Aufladen in Betrieb.
- Der Akku muss aus dem Gerät entfernt werden, bevor es entsorgt wird.
- Entsorgen Sie Akkus nicht mit dem Hausmüll. Entsorgen Sie sie in Obereinstimmung mit den örtlichen Vorschriften.
- Laden Sie den Akku / Saugroboter nur mit dem mitgelieferten Steckerladegerät auf.
- Das externe, flexible Kabel dieses Steckerladegeräts kann nicht ersetzt werden. Im Falle einer Beschädigung des Kabels muss das Ladegerät entsorgt und durch ein Ladegerät desselben Typs ersetzt werden.
- Beim Entfernen der Batterie muss das Gerät vom Versorgungsnetz getrennt werden.
- Dieses Gerät enthält Batterien, die nicht austauschbar sind.
- **WARNUNG:** Verwenden Sie zum Aufladen der Batterie nur die mit diesem Gerät mitgelieferte abnehmbare Versorgungseinheit.



Abnehmbare Versorgungseinheit

- **WARNUNG:** Gefahr der Einklemmung. Halten Sie lose Kleidung, Haare, Finger usw. von Bürsten und Powerdüsen fern.
- **WARNUNG:** Vor der Reinigung oder Wartung des Geräts muss der Stecker aus der Steckdose gezogen werden.

WICHTIG

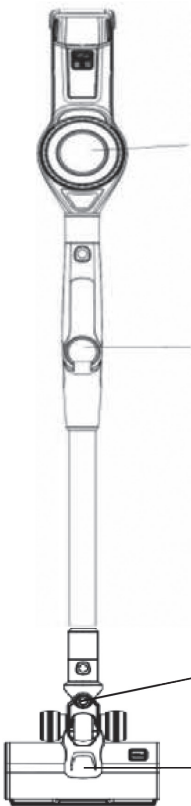
Es ist untersagt, ein beschädigtes Stromkabel selbst auszutauschen.

Wenn das Gerät heruntergefallen ist, wenden Sie sich bitte an eine qualifizierte Fachkraft, damit sie das Gerät vor einer erneuten Verwendung überprüft. Eine interne Beschädigung kann Unfälle zur Folge haben.

Wenden Sie sich bei Problemen gleich welcher Art oder fi.ir Reparaturen an den Kundendienst des Fachhändlers, den Hersteller oder eine qualifizierte Person, um Gefahren zu vermeiden.

BESCHREIBUNG DES GERÄTS

Produktübersicht



Staubsauger mit Zentrifugaltechnik mit Luftfilterschwamm

Doppelte Filterung, hochwirksame Reinigung, um den besten Staubentfernungseffekt zu erzielen.

Hochwertiges Aluminiumrohr, leicht und korrosionsbeständig

Oberlanger Aufbau, leichte Handhabung an hochliegenden Stellen, Fugen und anderen schwierigen Orten.

Flexible Rotation, bequeme Bedienung.

Freie Rotation, effektive Schmutzentfernung.

Elektrische Bürste

Zur einfachen Reinigung aller Arten von Boden und dicken Wollteppichen, um alle Arten von Schmutz zu entfernen.

Motorblock

Kontrolle uchte
Betriebs und Strom-
vers orgungsanzei-
ge.

Geschwindigkeitsregler
Regelt die Geschwindigkeit
nach Bedarf

Ein-/Aus-Taste
Schnelles Starten/Stop-
pen des Staubsaugers
bei Bedarf zum Sparen
von Strom.

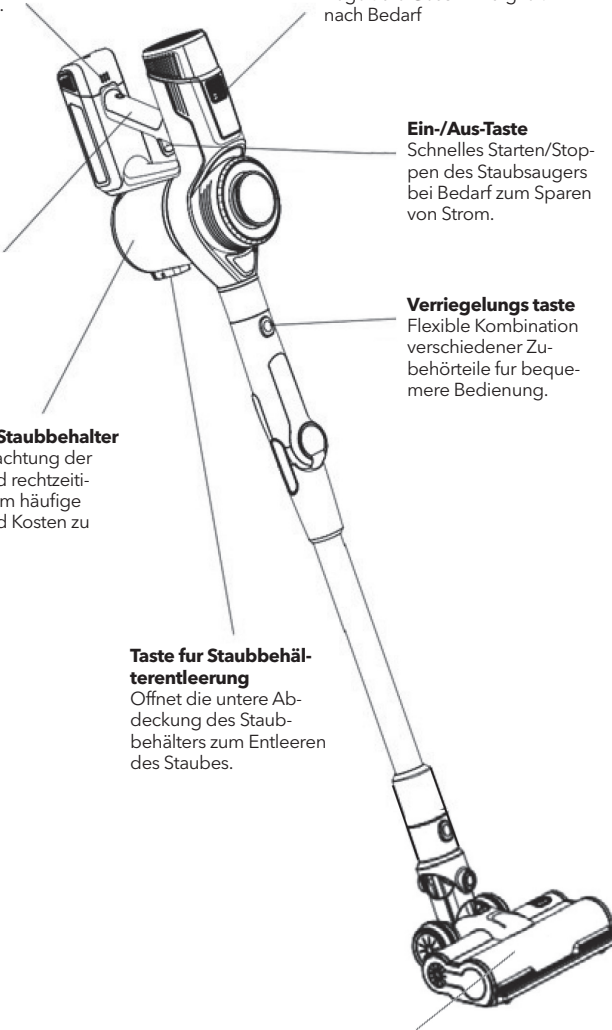
**Sanfte
Berührung Griff**
Bessere Ober-
flächenstruktur,
verschleissfest.

Verriegelungs tase
Flexible Kombination
verschiedener Zu-
behörteile für beque-
mere Bedienung.

Durchsichtiger Staubbehälter
Bequeme Beobachtung der
Staubmenge und rechtzeiti-
ge Entleerung, um häufige
Filterwechsel und Kosten zu
vermeiden.

**Taste für Staubbehäl-
terentleerung**
Offnet die untere Ab-
deckung des Staub-
behälters zum Entleeren
des Staubes.

Elektrische Bürste
Zur einfachen Reinigung aller
Arten von Boden und dicken
Wollteppichen, um alle Arten
von Schmutz zu entfernen.



Elektro-Brosse

Flexible Rotation, bequeme Bedienung.
Freie Rotation, effektive Schmutzentfernung.

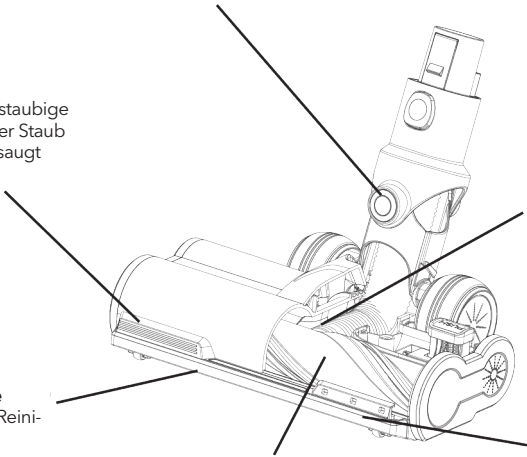
LED-Beleuchtung
Beleuchtet dunkle staubige Bereiche, sodass der Staub vollständig weggesaugt werden kann.

Aufnahme für Bürstenrolle
Optimiertes Design der Bürstenaufnahme sorgt für verbesserte Staubentfernung.

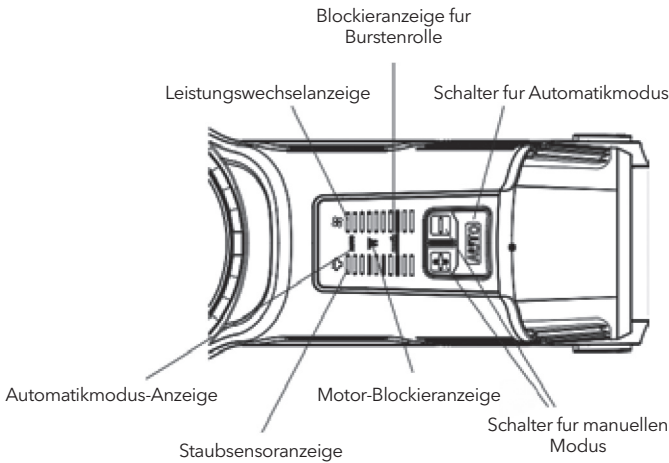
Staubabstreife
Verbessert die Reinigungseffizienz

Nylonbürste
Doppellagige, feine Nylonbürste, leichte Entfernung von Schmutz zwischen kurzem Wollteppich und Bodenfugen.

Kollisions-Pufferstreifen
Dieses Band ist resistent gegen ökologische Abnutzung und schützt Ihre Möbel.



Staubsensor



LEISTUNGSÄNDERUNGSANZEIGE:

Dies ist eine Option, wenn „AUTO MODE“ eingeschaltet ist, um die Änderung der Leistungsstufe zu sehen.

ANZEIGE DER ROTATIONSBRÜSTE:

Indikator zeigt an, dass die Motorbürste im Pedal blockiert ist oder nicht funktioniert. Empfehlung, die Bürste für den Normalbetrieb zu lösen oder zu reinigen.

AUTOMATISCHER MODUSSCHALTER:

Mit diesem Schalter können Sie den „AUTO MODE“ ein- oder ausschalten. Staubsaugerbetrieb
Im „Auto-Modus“ bedeutet dies, dass der Staubsauger mit einer Saugleistungsstärke arbeitet und wenn er eine große Menge Staub ansaugt und über den Sensor fährt, erkennt er diesen Staub und erhöht die Saugleistung, während der Sensor ihn dort erkennt ist kein Staub mehr und kehrt zur vorherigen Stärke der Saugkraft zurück.

AUTO-MODUS-ANZEIGE:

Dies ist ein Indikator dafür, dass der Reinigungsmodus „AUTO MODE“ ein-/ausgeschaltet ist.

STAUBSENSORANZEIGE:

Wenn die Anzeige mehr als die Hälfte der Lichter einschaltet, muss der obere HEPA-Filter gereinigt werden. Das Ignorieren der LED-Anzeige kann zu Nebenwirkungen führen: verstopfter Hepa-Filter, Schwächung der Saugleistung, Zerstörung des Motors.

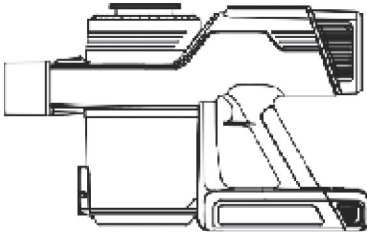
MOTORSPERRANZEIGE:

Dies ist ein Indikator, wenn die Luftzufuhr blockiert ist, der Luftstrom zum Motor auf dem Weg der Bodenbürste, des Rohrs, des Staubbehälters, des Metallfilters, des TOP-HEPA-Filters, des hinteren HEPA-Filters behindert oder unterbrochen ist).

MANUELLER SCHALTER:

Mit diesen Schaltern (+, -) wird die Saugleistung eingestellt, es gibt fünf Leistungsstufen.

LIEFERUMFANG



Hauptgerät



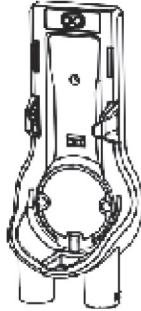
Elektrische Bürste



2-in-1-Staubbürste



Lang Fugendüse



Ladestation



Steckerladegerät



Long aluminium tube with flexible hose

Aufgrund der kontinuierlichen Verbesserung des Produkts kann die obige Konfiguration je nach Modell variieren. Wir behalten uns dieses Recht vor. Das Erklärungsrecht liegt beim Unternehmen.

GEBRAUCHSANLEITUNGEN

Montageanleitung für die Aluminiumrohre

- Schieben Sie das Ende des Aluminiumrohrs horizontal in die Ansaugöffnung des Hauptgeräts und stellen Sie sicher, dass das Rohr ordnungsgemäß sitzt und sich nicht lösen kann. Die erfolgreiche Montage wird durch ein Klickgeräusch bestätigt. (Abbildung 1)
- Um das Aluminiumrohr zu entfernen, halten Sie das Hauptgerät mit einer Hand fest und ziehen Sie das Rohr mit der anderen Hand bei Drücken des Knopfes heraus. (Abbildung 2)

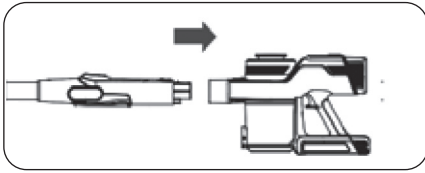


Abbildung 1

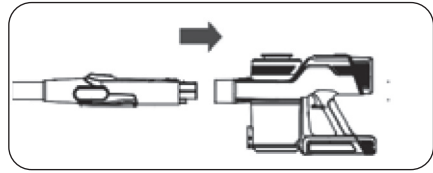


Abbildung 2

Montageanleitung für die elektrische Bürste

- Schieben Sie das Ende der runden Bürstenöffnung in das Ende des Saugrohrs und stellen Sie sicher, dass es ordnungsgemäß sitzt und sich nicht lösen kann. Die erfolgreiche Montage wird durch ein Klickgeräusch bestätigt. (Abbildung 3).
- Wenn Sie die Bürste entfernen möchten, halten Sie sie mit einer Hand und drücken Sie mit der anderen Hand gleichzeitig den Knopf. Ziehen Sie die dann die Bürste heraus. (Abbildung 4)
- Die elektrische Bürste kann auch wie das Aluminiumrohr direkt am Hauptgerät angebracht werden.

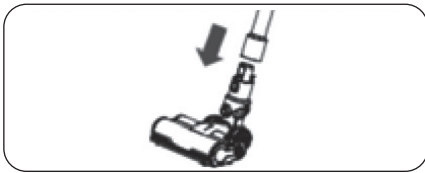


Abbildung 3



Abbildung 4

Zubehör

Gebrauchsanweisung für Zubehör

Zusätzlich zur Verwendung des Aluminiumrohrs und der elektrischen Bürste können Sie auch eine 2 in 1-Bürste und die lange Duse verwenden, um das Produkt an alle Situationen anzupassen (Abb. 5) :

- Die 2 in 1 Bürste
Sie eignet sich zur Reinigung von kleinen Bereichen, Fugen oder unregelmäßigen Objektflächen, wie z. B. Wändecken, Fugen zwischen Fensterrahmen aus Aluminium, das Innere von Haushaltsgeräten, Schubladen, Autokissen, Bilderrahmen, Decke, Tastatur usw.
- Lang Fugendüse
Er eignet sich für die Reinigung von Ecken und Fugen usw.

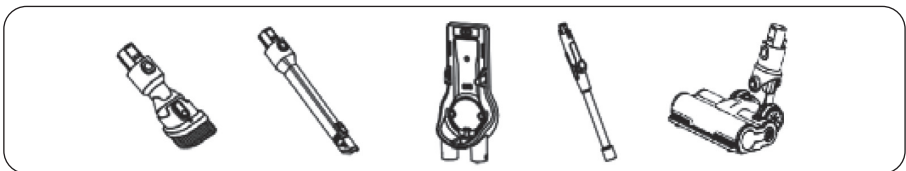


Abbildung 5 (Zubehör)

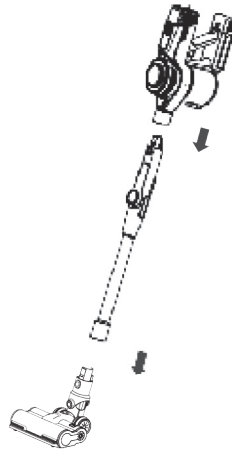


Abbildung (6, 7)

Sie können das Zubehör auf 2 verschiedene Arten einführen: direkt am Ende des flexiblen Schlauchs (Modus 1) oder am Ende des Motorblocks (Modus 2).

Modus 1: Nehmen Sie den langen Dusenenaufsatz und führen Sie ihn in das Ende des Aluminiumrohrs ein, bis Sie ein Klicken hören, das die Installation bestätigt. Um ihn zu entfernen, ziehen Sie direkt daran.

Nehmen Sie den Bürstenaufsatz 2 in 1 und machen Sie die gleiche Manipulation: Führen Sie ihn in das Ende des Aluminiumrohrs ein, bis Sie ein Klicken hören, das die Installation bestätigt.

Um es zu entfernen, ziehen Sie direkt daran. (Abbildung 6 und 7)

Modus 2: Um die Zubehörteile direkt in den Motorblock einzusetzen, wiederholen Sie den Vorgang (Abbildung 8 und 9).

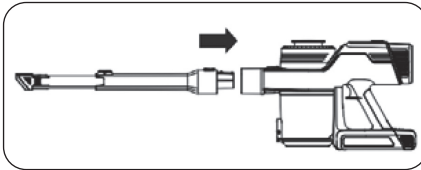


Abbildung 8

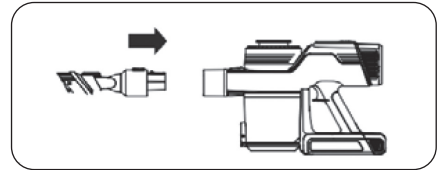


Abbildung 9

Installationsanweisungen für den Akku

Setzen Sie den Akku in das Gerät ein (Richtung siehe Abbildung 10) und installieren Sie ihn wie in (Abbildung 11) dargestellt, damit er sich nicht lockern kann. Das erfolgreiche Einsetzen wird durch ein Klickgeräusch bestätigt.

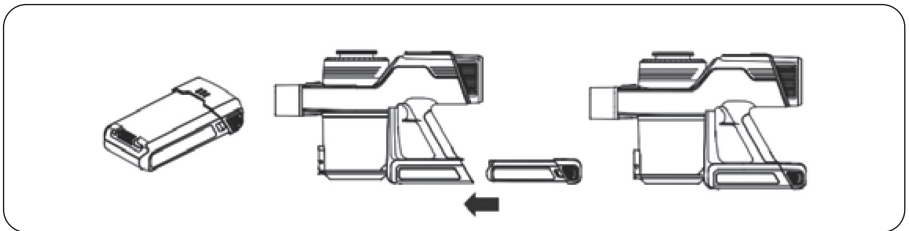


Abbildung 10

Abbildung 11

ACHTUNG:

Bewahren Sie den Akku für eine längere Lebensdauer zur Hälfte geladen an einem kühlen und trockenen Ort auf. Wickeln Sie den Akku mit nichtleitendem Material ein, um Kurzschlüsse durch direkten Kontakt mit dem Akku zu vermeiden, die zu einer Beschädigung des Akkus führen können.

Gebrauch

1. Vorbereitung

Setzen Sie den Akku vor Gebrauch ein und überprüfen Sie, ob er aufgeladen ist. Falls nicht, laden Sie ihn rechtzeitig auf (siehe „Laden des Produkts“). Er kann nach dem Aufladen verwendet werden.

Das Zubehör kann je nach zu reinigender Oberfläche nach Bedarf ausgewählt werden.

Das Gerät wurde speziell mit verschiedenem Zubehör ausgestattet. Sie können sich je nach zu reinigender Oberfläche für das entsprechende Zubehör entscheiden. (Für Einzelheiten siehe Anhang zur Bedienungsanleitung“)

2. Inbetriebnahme

Drücken Sie die „Ein-/Aus-Taste“ und das Gerät startet. Wenn Sie die Arbeit einstellen müssen, lassen Sie die „Ein-/Aus-Taste“ los. (Abbildung 12)

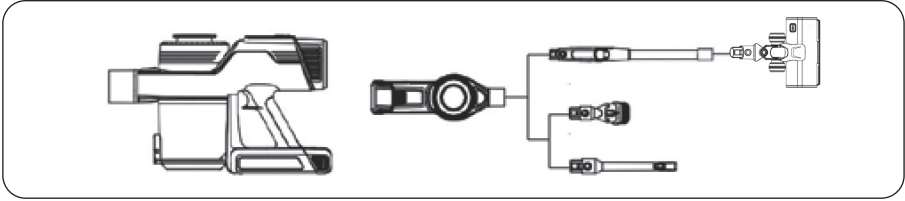


Abbildung 12

3. Entleeren des Staubbehälters

Drücken Sie nach dem Ausschalten des Geräts die Entleerungstaste des Staubbehälters an der Seite des Staubbehälters (Abbildung 13). Öffnen Sie die Klappe, entleeren Sie den Staub und schliessen Sie die Klappe des Staubbehälters. (Abbildung 14)

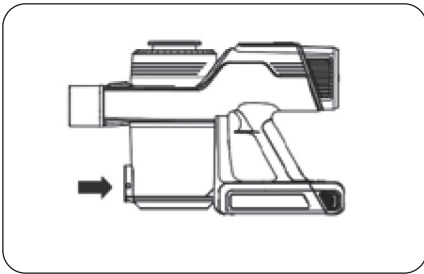


Abbildung 13

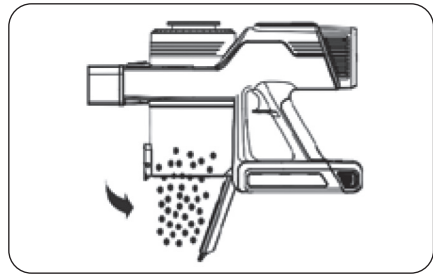


Abbildung 14

4. Ausbau des Filterkerns

Drehen und entfernen Sie den Staubbehälter, Sie haben Zugang zum Edelstahlfilter, drehen Sie ihn, um ihn zu entfernen. Gehen Sie in umgekehrter Reihenfolge vor, um den Edelstahlfilter und die Staubschale auszutauschen. (Abbildung 15)

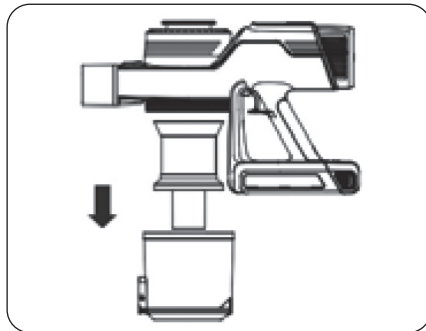


Abbildung 15

Retirez le filtre moteur dans la direction indiquée par la flèche. (Abbildung. 16)

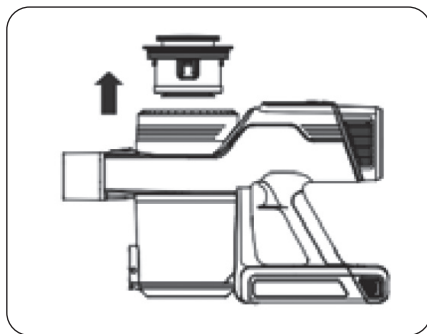


Abbildung 16

5. Produkt aufladen

Schließen Sie das Ladegerät direkt an den Staubsauger oder die Ladestation an (Abbildung 17) und das andere Ende an eine Steckdose bei Ihnen zu Hause an. (Abbildung 18)

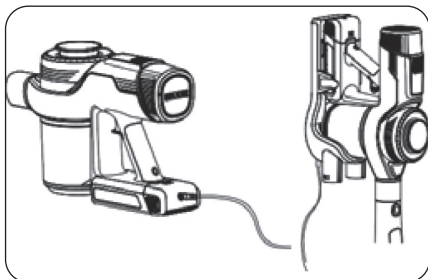


Abbildung 17

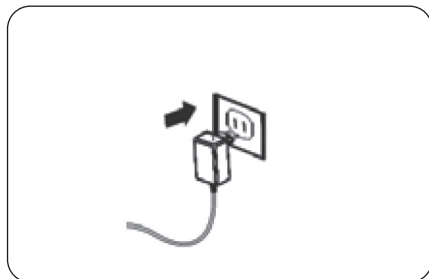


Abbildung 18

Über die Kontrollleuchte

Betriebsstatus: Die Kontrollleuchte leuchtet ständig.

Nicht voll aufgeladen: Die Kontrollleuchte blinkt

Voll aufgeladen: Die Kontrollleuchte leuchtet ständig

HINWEIS:

- Laden Sie den Akku alle 3 Monate ab Auslieferung vom Werk nach Bedingungen) mit unserem speziellen Ladegerät 3 Stunden lang auf. (Er muss nicht vollständig aufgeladen werden.)
- Laden Sie den Akku nicht zu lange auf. Wenn der Ladevorgang über die normale Ladezeit hinaus fortgesetzt wurde, beenden diesen sofort, da sonst Risiken wie Erwärmung, Verformung oder Verbrennung des Akkus auftreten können.
- Wenn der Akku längere Zeit nicht verwendet wird oder tiefentladen wurde, kann seine Ladung bei den ersten Ladevorgängen nachlassen. Es ist ratsam, den Akku nach dem Aufladen vollständig zu entladen (normalerweise länger als 6 Stunden). Die Aktion muss nur zweimal wiederholt werden.

REINIGUNG DES STAUBBEHÄLTERS

Um die Leistung des Geräts nicht zu beeinträchtigen, ist es ratsam, die Komponenten regelmäßig zu warten. Bevor Sie das Hauptgerät (Motor dreht sich) (das tragbare Teil) reinigen, vergewissern Sie sich, dass das Gerät nicht mehr in Betrieb ist und nicht aufgeladen wird.

Reinigen Sie das Gerät mit etwas Wasser oder einem neutralen Reinigungsmittel. Vergewissern Sie sich vor dem Reinigen, dass das Tuch trocken ist. Lassen Sie kein Wasser in das Innere des Staubsaugers eindringen (Abbildung 19) Bewahren Sie das Gerät nach der Reinigung nicht in direktem Sonnenlicht oder an einem feuchten Ort auf.

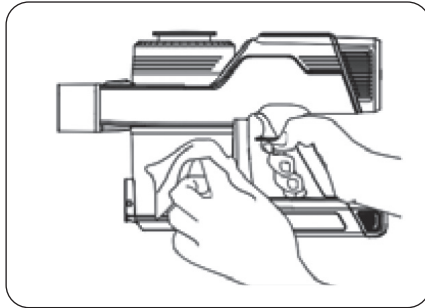


Abbildung 19

Reinigung des Staubbehälters

Sobald die Staubmenge die „MAX“-Markierung erreicht hat, leeren Sie den Staubbehälter möglichst zeitnah aus. Lassen Sie ihn nicht zu voll werden. Um das Ausleeren des Staubbehälters zu erleichtern, ist es ratsam, vor der Reinigung das Aluminiumrohr oder anderes Zubehör zu entfernen.

Nachdem das Gerät ausgeschaltet wurde, öffnen Sie die Klappe des Staubbehälters und entleeren Sie den Staub. Wenn sich an der Innenwand des Staubbehälters hartnackige Verschmutzungen befinden, wischen Sie ihn vorsichtig mit einem feuchten Lappen aus.

Schliessen Sie nach der Reinigung die Klappe des Staubbehälters und vergewissern Sie sich, dass der Verriegelungsknopf an seinem Platz ist.

HINWEIS:

Nach dem Auswischen der Innenwand des Staubbehälters mit einem feuchten Lappen, lassen Sie den Staubbehälter im Sonnenlicht gründlich trocknen und denken Sie ihn danach ab.

Reinigen des Luftauslassfilters

Um die Leistung des Produkts zu gewährleisten, ist es ratsam, den Schwamm regelmäßig zu reinigen und nach 3 - 6 Monaten (je nach Verwendung) zu ersetzen. Halten Sie die Entriegelungstaste des Staubbehälter gedrückt, nehmen Sie das Gerät ab und drehen Sie die Klappe. Entfernen Sie den Schwamm und klopfen Sie den Staub ab. (siehe Abbildung 16) Wenn sich zu viel Staub angesammelt hat, waschen Sie den Schwammfilter sorgfältig aus und trocknen Sie ihn vor dem Einbau in das Hauptgehäuse.

HINWEIS!

Verwenden Sie zum Reinigen des Schwammfilters kaltes Wasser und lassen Sie ihn vollständig trocknen (normalerweise 24 Stunden lang) unter Sonnenlicht. Setzen Sie ihn dann wieder in das Gerät ein.

Burste reinigen

Es ist ratsam, die elektrische Bürste nach 4- bis 5-maligem Betrieb einmal zu reinigen:

1. Schalten Sie das Gerät aus und entfernen Sie die elektrische Bürste.
2. Klappen Sie die Bürste um und drehen Sie den Verriegelungsknopf an der festen Abdeckung mit einer Münze, um die Sperre zu öffnen. (Abbildung 20)
3. Entfernen Sie die Bürstenrolle, um die Abdeckplatte, zu befestigen. Heben Sie ein Ende der Bürstenrolle an und ziehen Sie die Rolle heraus. (Abbildung 21)
4. Verwenden Sie eine Schere oder ein anderes scharfes Instrument, um verhedderte Tierhaare und andere Rückstände zu entfernen. (Abbildung 22).
5. Wenn die Reinigung abgeschlossen ist, schieben Sie ein Ende der Bürstenrolle in die Bodenbürste und rasten Sie das andere Ende in der Bodenbürste ein. (Abbildung 23)
6. Setzen Sie die Abdeckung wieder ein und sichern Sie sie durch Drehen.

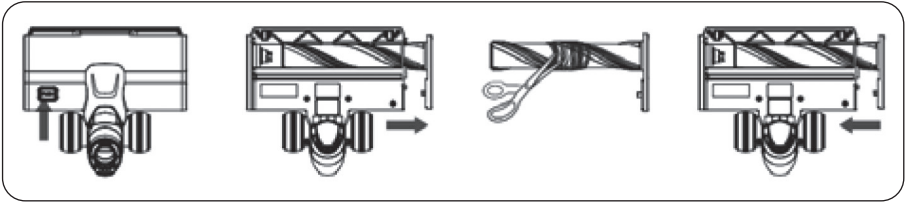


Abbildung 20

Abbildung 21

Abbildung 22

Abbildung 23

Handhabung und Aufbewahrung

Aufbewahrung der Ladestation: einfache platzsparende Handhabung. (Abbildung 24)

Aufbewahrung von Zubehör: einfache Handhabung und Anordnung. (Abbildung 25)

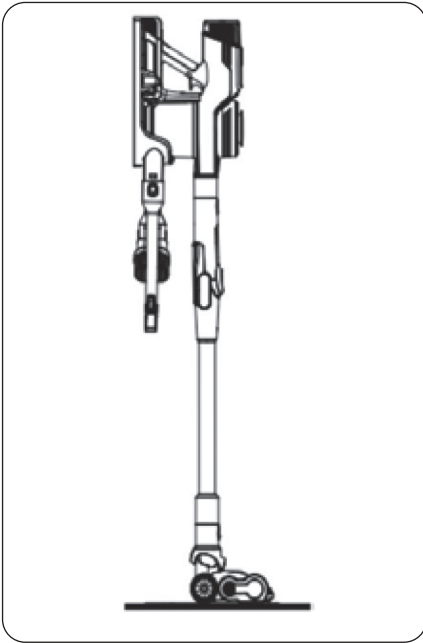


Abbildung 24

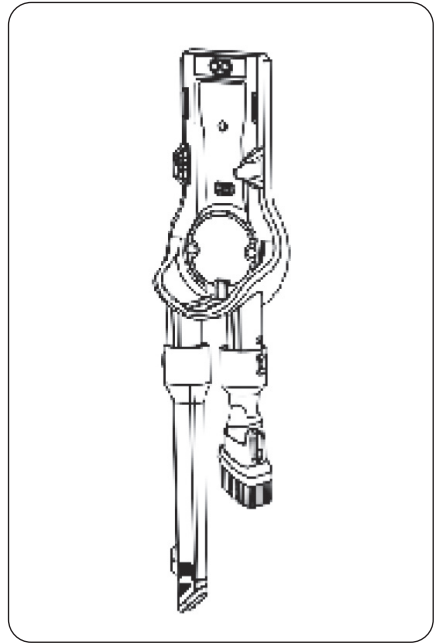


Abbildung 25

FEHLERBEHEBUNG

Analyse und Behandlung van häufigen Fehlern.

Mögliche Ursache	Losung	Solution
Der Staubsauger funktioniert nicht.	Das Produkt hat keine oder eine unzureichende Stromversorgung.	Verwenden Sie das Produkt erst, nachdem es vollständig aufgeladen wurde.
	Die Ansaugöffnung ist blockiert.	Reinigen Sie die Ansaugöffnung.
Die Saugkraft des Produkts nimmt ab.	Der Staubbehälter und/oder die Filterkomponenten sind voll mit Staub.	Reinigen Sie den Staubbehälter und die Filterkomponenten.
	An der Bürstenrolle haben sich Haaren usw. verheddert.	Reinigen Sie die Bürstenrolle.
	Das Problem ist weiterhin vorhanden, nachdem die oben beschriebenen Probleme ausgeschlossen wurden.	Wenden Sie sich an unseren Kundendienst für eine Wartung.
Der Motor läuft mit abnormalen Geräuschen.	Das Hauptsaugrohr oder das Aluminiumrohr ist verstopft.	Entfernen Sie die Hindernisse im Inneren des Hauptsaugrohrs bzw. des Aluminiumrohrs.
	Das Problem ist weiterhin vorhanden, nachdem die oben beschriebenen Probleme ausgeschlossen wurden.	Wenden Sie sich an unseren Kundendienst für eine Wartung.
Das Produkt kann nicht aufgeladen werden.	Hauptgerät und Steckerladegerät wurden nicht ordnungsgemäss angeschlossen.	Überprüfen und ordnungsgemäss ansl. er..en.
	Das Problem ist weiterhin vorhanden, nachdem die oben beschriebenen Probleme ausgeschlossen wurden.	Wenden Sie sich an unseren Kundendienst für eine Wartung.

Wenn das Gerät trotz den oben aufgeführten Lösungen nicht ordnungsgemäss.. funktioniert, wenden Sie sich bitte an unseren Kundendienst für Unterstützung.

TECHNISCHE DATEN

	Technische Parameter
Betriebsspannung (V)	25,2 V
Nennleistung (W)	400 W
Akkukapazität (mAh)	2500 mAh
Fassungsvermögen des Staubbehalters (L)	0,6 L
Einmaligeladezeit (Std.)	Zwischen 3 und 5 Stunden
Kontinuierliche Betriebszeit (min)	bis zu 60 min
Abmessungen des Produkts (mm)	369 x 125 x 227 mm
Nettogewicht (kg)	2,65 kg

HAFTUNGSAUSSCHLUSS:

Diese Garantie deckt keine Verschleisssteile des Produkts noch Probleme oder Beschädigungen, die resultieren aus:

1. Oberflächenschaden aufgrund normalen Verschleisses;
2. Defekten oder Leistungseinbußen aufgrund des Kontakts mit Flüssigkeiten und Korrosion durch Rost oder Insekten;
3. einer Störung, Missbrauch, unsachgemäßer Verwendung, einer Veranderung, Demontage oder nicht autorisierter Reparatur;
4. unsachgemäßer Wartung, unsachgemäßer Verwendung des Produkts oder Anschluss an eine falsche Spannung;
5. irgendeiner Verwendung von Zubehör, das nicht mitgeliefert oder vom Hersteller nicht genehmigt wurde.

Die Garantie verfällt, wenn das Namensschild und/oder die Seriennummer des Produkts entfernt wurden.

Entsorgung und Verantwortung für die Umwelt

Um umweltfreundlich zu sein, empfehlen wir Ihnen, Ihr Gerät richtig zu verwenden. Wenden Sie sich für weitere Informationen an Ihre örtliche Behörde oder Ihr Recyclingzentrum.

ENTSORGUNG



Das Vorhandensein dieses Logos auf dem Produkt bedeutet, dass die Entsorgung des Geräts durch die Richtlinie 2012/19 / EU vom 4. Juli 2012 über Elektro- und Elektronik-Altgeräte (WEEE) geregelt ist.

Jeder gefährliche Stoff, der in elektrischen oder elektronischen Geräten enthalten ist, kann beim Recycling eine potenzielle Auswirkung auf die Umwelt und die Gesundheit haben. Daher darf das Gerät am Ende seiner Nutzungsdauer nicht mit dem unsortierten Siedlungsabfall entsorgt werden.

Ihre Rolle als Endverbraucher ist für die Wiederverwendung, das Recycling und die Erzielung anderer Arten der Wertschöpfung aus diesem Produkt von wesentlicher Bedeutung. Sie haben die Wahl zwischen verschiedenen Sammel- und Austauschsystemen, die von lokalen Behörden (Recyclingzentren) und Händlern organisiert werden. Es ist Ihre Pflicht, diese Möglichkeiten zu nutzen.

AM ENDE DER AKKULEBENSDAUER:



Dieses Gerät enthält Batterien, die nicht austauschbar sind.

Verbrauchte Akkus müssen zur Wiederverwertung bei einem getrennten Sammelsystem abgegeben werden, um die Auswirkungen auf die Umwelt zu reduzieren.

Wenn der Akku das Ende seiner Lebensdauer erreicht hat, müssen Sie ihn bei einem geeigneten getrennten Sammelsystem abgeben, das seine Zerlegung und/oder das Recycling übernimmt.

- Falls Batteriesäure ausgetreten ist, vermeiden Sie den Kontakt mit Haut, Augen und Schleimhäuten. Die Flüssigkeit, die aus der Batterie austritt, kann Reizungen verursachen. Wenn die Batteriesäure mit der Haut in Kontakt kam, spülen Sie die betroffenen Bereiche sofort mit sauberem Wasser ab und suchen Sie umgehend einen Arzt auf.
- Akkus müssen mit korrekter Polarität (+/-) eingesetzt werden.
- Nicht wiederaufladbare Batterien dürfen wegen Explosionsgefahr nicht aufgeladen werden.

WICHTIG:

Entsorgen Sie das Gerät oder die Batterie unter keinen Umständen über die öffentliche Strasse.

Informationen zu externen Stromversorgungen für die Verordnung 2019/1782/EU der Europäischen Kommission

	Wert
Eingangsspannung	100-240 V
Eingangs-Wechselstromfrequenz	50/60 Hz
Ausgangsspannung	30 V
Ausgangsstrom	0.5 A
Ausgangsleistung	15 W
Durchschnittlicher Wirkungsgrad bei Betrieb	>86.8 %
Wirkungsgrad bei niedriger Last (10 %)	>72 %
Leistungsaufnahme ohne Last	<0.1 W

Αποκλειστικά για οικιακή χρήση.

Διαβάστε προσεκτικά αυτό το εγχειρίδιο οδηγιών πριν από τη χρήση.

ΣΗΜΑΝΤΙΚΕΣ ΠΡΟΕΙΔΟΠΟΙΗΣΕΙΣ

ΔΙΑΒΑΣΤΕ ΠΡΟΣΕΚΤΙΚΑ ΑΥΤΕΣ ΤΙΣ ΟΔΗΓΙΕΣ ΓΙΑ ΤΗΝ ΑΣΦΑΛΕΙΑ ΠΡΙΝ ΑΠΟ ΤΗ ΧΡΗΣΗ ΚΑΙ ΦΥΛΑΞΤΕ ΤΙΣ ΓΙΑ ΜΕΛΛΟΝΤΙΚΗ ΑΝΑΦΟΡΑ



Οδηγίες για την ασφάλεια

- **Η μπαταρία πρέπει να αφαιρείται με ασφαλή τρόπο.**
- Μη χρησιμοποιείτε τη συσκευή κοντά σε σκάλες ή σε μπαλκόνια. Αυτή η συσκευή δεν διαθέτει αισθητήρες αποφυγής πρόσκρουσης.
- Αυτή η συσκευή μπορεί να χρησιμοποιηθεί από παιδιά ηλικίας 8 ετών και άνω και άτομα με μειωμένες σωματικές, αισθητηριακές ή διανοητικές δεξιότητες ή έλλειψη εμπειρίας και γνώσης, εφόσον είναι υπό επίβλεψη ή έχουν λάβει οδηγίες για την ασφαλή χρήση της συσκευής και κατανοούν τους σχετικούς κινδύνους. Τα παιδιά δεν θα πρέπει να παίζουν με τη συσκευή. Οι εργασίες καθαρισμού και συντήρησης από πλευράς του χρήστη δεν θα πρέπει να πραγματοποιούνται από παιδιά χωρίς την επίβλεψη ενηλίκων.
- Αυτή η συσκευή προορίζεται αποκλειστικά για οικιακή χρήση.
- Αυτή η συσκευή είναι κατάλληλη για μοκέτες με πέλος χαμηλού έως μεσαίου πάχους. Δεν είναι κατάλληλη για χρήση σε ανώμαλα δάπεδα ή χαλιά μικτής ύφανσης.
- Αφαιρέστε την πλαϊνή βούρτσα κατά τον καθαρισμό κάτω από το χαλί για να την προστατεύσετε.
- Εάν το καλώδιο τροφοδοσίας του προσαρμογέα είναι κατεστραμμένο, ο προσαρμογέας πρέπει να απορριφθεί.
- Επαναφορτίστε την(τις) μπαταρία(-ες) μόνο με τον φορτιστή που παρέχεται από τον κατασκευαστή
- Χρησιμοποιήστε τη συσκευή με την μπαταρία
- (S) που κατασκευάστηκε ειδικά (S) για αυτόν τον σκοπό. Η χρήση οποιασδήποτε (S) Άλλης (S) μπαταρίας (S) θα μπορούσε να προκαλέσει έκρηξη ή πυρκαγιά
- Χρησιμοποιείτε αυτό το προϊόν μόνο με κατάλληλο προσαρμογέα.
- Μη χρησιμοποιείτε τη συσκευή για την αναρρόφηση σκόνης υγρής ή λιπαρής σύστασης.
- Πριν από τη χρήση, απομακρύνετε εύθραυστα αντικείμενα (γυαλί, λαμπτήρες κ.λπ.) και άλλα αντικείμενα που θα μπορούσαν να μπλεχτούν στις τρίχες των βουρτσών (μακριές τρίχες, πλαστικές σακούλες, σχοινί, σύρμα κ.λπ.).
- Μην κάθεστε και μην τοποθετείτε βαριά αντικείμενα επάνω στη συσκευή.
- **ΠΡΟΕΙΔΟΠΟΙΗΣΗ:** Βεβαιωθείτε ότι η συσκευή μπορεί να κινείται ελεύθερα στον χώρο (χωρίς να παρεμποδίζεται από κάποιο εμπόδιο, ούτε να μπορεί να πέσει) και ότι δεν υπάρχει εμπόδιο που θα μπορούσε να προκαλέσει ανατροπή της συσκευής και να δημιουργήσει κατάσταση επικινδυνότητας (όπως αναμμένα κεριά ή βάζο γεμάτο με νερό).
- Καθαρίζετε τακτικά τη συσκευή.
- Αδειάζετε τον συλλέκτη σκόνης.
- Φορτίστε τη συσκευή εάν δεν τη χρησιμοποιήσετε για τρεις μήνες.
- Επαναφορτίστε μόνο σε περίπτωση ειδοποίησης χαμηλής ισχύος ή όταν η συσκευή είναι απενεργοποιημένη. Χρησιμοποιήστε τη συσκευή αφού φορτιστεί πλήρως.
- Η μπαταρία πρέπει να αφαιρεθεί από τη συσκευή πριν από την απόρριψή της. Η συσκευή πρέπει να αποσυνδεθεί από την παροχή ρεύματος κατά την αφαίρεση της μπαταρίας.
- Μην απορρίπτετε τις μπαταρίες μαζί με τα υπόλοιπα οικιακά απορρίμματα! Απορρίψτε τις σύμφωνα με τους τοπικούς κανονισμούς.
- Επαναφορτίστε την μπαταρία / το ρομπότ μόνο με τον προσαρμογέα που παρέχεται με τη συσκευή.
- Το καλώδιο του εξωτερικού εύκαμπτου προσαρμογέα δεν μπορεί να αντικατασταθεί. Εάν το καλώδιο υποστεί ζημιά, είναι απαραίτητο να απορρίψετε τον προσαρμογέα και να τον αντικαταστήσετε με έναν ίδιο τύπου.
- Η συσκευή πρέπει να αποσυνδέεται από την παροχή ρεύματος κατά την αφαίρεση της μπαταρίας.
- Αυτή η συσκευή περιέχει μπαταρία με δυνατότητα

ΣΗΜΑΝΤΙΚΟ

Απαγορεύεται να αντικαταστήσετε το καλώδιο τροφοδοσίας μόνοι σας εάν έχει υποστεί ζημιά.

Εάν η συσκευή πέσει, ζητήστε από εξειδικευμένο προσωπικό να την ελέγξει πριν τη χρησιμοποιήσετε ξανά. Τυχόν πρόκληση εσωτερικής ζημιάς μπορεί να

προκαλέσει ατυχήματα.

Για οποιοδήποτε είδους προβλήματα ή επισκευές, επικοινωνήστε με την εξυπηρέτηση πελατών του τοπικού διανομέα, του κατασκευαστή ή εξειδικευμένο προσωπικό για να αποφευχθούν τυχόν κίνδυνοι.

αντικατάστασης.

- ΠΡΟΕΙΔΟΠΟΙΗΣΗ: Για την επαναφόρτιση της μπαταρίας, χρησιμοποιήστε μόνο το καθορισμένο τροφοδοτικό που παρέχεται με αυτήν τη συσκευή.

σε επαφή με τις μηχανοκίνητες βούρτσες και τα ακροφύσια.

- ΠΡΟΕΙΔΟΠΟΙΗΣΗ: το φως πρέπει να αφαιρεθεί από την πρίζα πριν από τις εργασίες καθαρισμού ή συντήρησης της συσκευής.

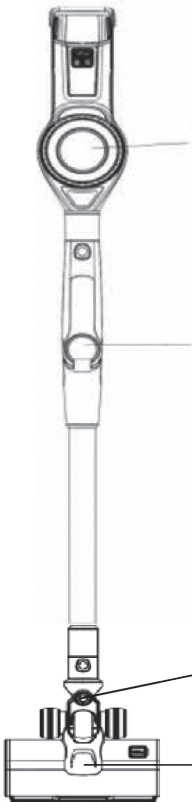


**Αποσπώμενο
τροφοδοτικό**

- ΠΡΟΕΙΔΟΠΟΙΗΣΗ: Κίνδυνος εγκλωβισμού. Φροντίστε τα φαρδιά ρούχα, τα μαλλιά, τα δάχτυλα κ.λπ. να μην έρχονται

ΠΕΡΙΓΡΑΦΗ ΣΥΣΚΕΥΗΣ

Επισκόπηση προϊόντος



Ηλεκτρική σκούπα αναρρόφησης φυγοκεντρικής τεχνολογίας με σφουγγάρι για φιλτράρισμα του αέρα
Διπλό φιλτράρισμα και καθαρισμός υψηλής απόδοσης, για τη βέλτιστη απομάκρυνση της σκόνης.

Σωλήνας αλουμινίου υψηλής ποιότητας, ελαφρύς και ανθεκτικός στη διάβρωση Μακρύ stick, ευκολία χρήσης σε ψηλά σημεία, ρωγμές και άλλες δύσκολες γωνίες.

Ευέλικτη περιστροφή, άνετη λειτουργία.
Ελεύθερη περιστροφή και αποτελεσματική αφαίρεση των ακαθαρσιών.

Ηλεκτρική βούρτσα δαπέδου
Για εύκολο καθάρισμα όλων των τύπων δαπέδου, καθώς και χοντρών μάλλινων χαλιών για την απομάκρυνση κάθε είδους ακαθαρσιών.

Μπλοκ κινητήρα

Φωτεινή ένδειξη

Λειτουργία προϊόντος,
ένδειξη ηλεκτρικής
τροφοδοσίας.

Ρυθμιστής ταχύτητας

Ρυθμίστε την ταχύτητα στο
επίπεδο που επιθυμείτε

Κουμπί λειτουργίας

Μπορεί να εκκινήσει/διακόψει
γρήγορα τη λειτουργία
της ηλεκτρικής σκούπας
ανάλογα με τις ανάγκες, για
εξοικονόμηση ηλεκτρικής
ενέργειας.

Μαλακή χειρολαβή

Υφή υψηλής ποιότητας
και αντοχή στη φθορά.

Κουμπί κλειδώματος

Ευέλικτος συνδυασμός
διαφόρων εξαρτημάτων,
πιο άνετη λειτουργία.

Διαφανής συλλέκτης σκόνης

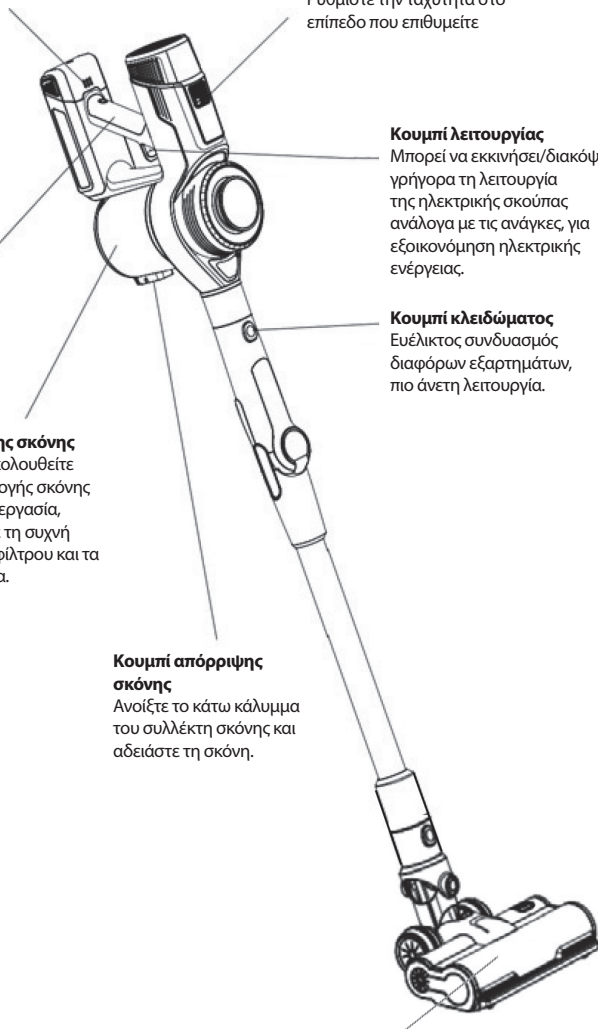
Σας βοηθά να παρακολουθείτε
την εξέλιξη της συλλογής σκόνης
και την έγκαιρη επεξεργασία,
ώστε να αποφεύγετε τη συχνή
αντικατάσταση του φίλτρου και τα
συνεπαγόμενα έξοδα.

Κουμπί απόρριψης σκόνης

Ανοίξτε το κάτω κάλυμμα
του συλλέκτη σκόνης και
αδειάστε τη σκόνη.

Κουμπί απόρριψης σκόνης

Ανοίξτε το κάτω κάλυμμα του
συλλέκτη σκόνης και αδειάστε
τη σκόνη.



Ηλεκτρική βούρτσα

Ευέλικτη περιστροφή, άνετη λειτουργία.

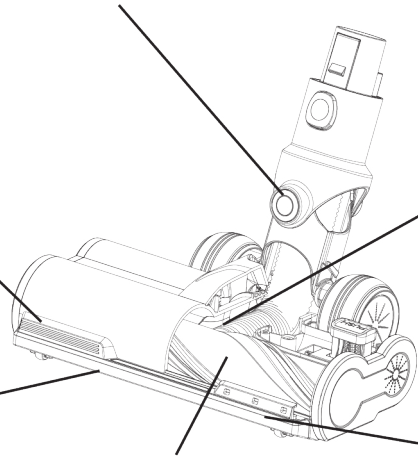
Ελεύθερη περιστροφή και αποτελεσματική αφαίρεση των ακαθαρσιών.

Λυχνία LED

Σας επιτρέπει να βλέπετε τη σκόνη στο σκοτάδι, έτσι ώστε να καθαρίζετε χωρίς να σας ξεφεύγει κάποιο σημείο.

Dust strip

Improve cleaning efficiency.



Κοιότητα περιστρεφόμενης βούρτσας

Βελτιστοποιημένος σχεδιασμός κοιότητας βούρτσας, συμβάλλει στη βελτίωση του ρυθμού αφαίρεσης της σκόνης.

Ταινία προστασίας από προσκρούσεις

Ανθεκτική στη φθορά και φιλική προς το περιβάλλον, αυτή η ταινία προστατεύει

Νάilon βούρτσα

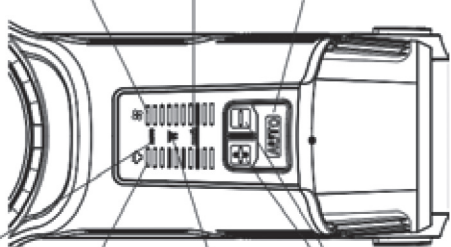
Λεπτή βούρτσα από νάilon διπλής στρώσης για εύκολη απομάκρυνση των ακαθαρσιών που συσσωρεύονται ανάμεσα στο μάλλινο χαλί και τη γραμμή του δαπέδου.

Αισθητήρας σκόνης

Ένδειξη μπλοκαρίσματος περιστρεφόμενης βούρτσας

Ένδειξη αλλαγής ισχύος

Διακόπτης αυτόματης λειτουργίας



Ένδειξη αυτόματης λειτουργίας

Ένδειξη μπλοκαρίσματος κινητήρα

Ένδειξη αισθητήρα σκόνης

Διακόπτης χειροκίνητης λειτουργίας

ΕΝΔΕΙΚΤΗΣ ΑΛΛΑΓΗΣ ΙΣΧΥΟΣ:

Αυτή είναι μια επιλογή όταν η "ΑΥΤΟ ΜΟΔΕ" είναι ενεργοποιημένη για να δείτε την αλλαγή του επιπέδου ισχύος.

ΕΝΔΕΙΞΗ ΚΛΕΙΔΩΜΑΤΟΣ ΠΕΡΙΣΤΡΟΦΙΚΗΣ ΒΟΥΡΤΣΑΣ:

Το Indicato υποδεικνύει ότι η βούρτσα του κινητήρα στο πεντάλ είναι μπλοκαρισμένη ή δεν λειτουργεί. Σύσταση να αφηρέσετε τη βούρτσα για κανονική λειτουργία ή να την καθαρίσετε.

ΑΥΤΟΜΑΤΟΣ ΔΙΑΚΟΠΤΗΣ ΛΕΙΤΟΥΡΓΙΑΣ:

Με αυτόν τον διακόπτη μπορείτε να ενεργοποιήσετε ή να απενεργοποιήσετε την "ΑΥΤΟ ΜΟΔΕ". Λειτουργία ηλεκτρικής σκούπας στην "Αυτόματη λειτουργία" σημαίνει ότι η ηλεκτρική σκούπα λειτουργεί με μια ισχύ αναρρόφησης και όταν τραβήξει μεγάλη ποσότητα σκόνης και περάσει πάνω από τον αισθητήρα, ανιχνεύει αυτή τη σκόνη και αυξάνει την ισχύ αναρρόφησης ενώ ο αισθητήρας ανιχνεύει ότι υπάρχει δεν είναι πια σκόνη και επιστρέφει στην προηγούμενη ισχύ αναρρόφησης.

ΕΝΔΕΙΞΗ ΑΥΤΟΜΑΤΗΣ ΛΕΙΤΟΥΡΓΙΑΣ:

Αυτή είναι μια ένδειξη ότι η λειτουργία καθαρισμού "ΑΥΤΟ ΜΟΔΕ" είναι ενεργοποιημένη/απενεργοποιημένη.

ΕΝΔΕΙΞΗ ΑΙΣΘΗΤΗΡΑ ΣΚΟΝΗΣ:

Όταν η ένδειξη ανάβει περισσότερο από τα μισά φώτα, είναι απαραίτητο να καθαρίσετε το επάνω φίλτρο HEPA. Η παράβλεψη της ένδειξης led μπορεί να οδηγήσει σε παρενέργειες: βουλωμένο φίλτρο Hera, εξασθένηση της ισχύος αναρρόφησης, καταστροφή του κινητήρα.

ΕΝΔΕΙΞΗ ΚΛΕΙΔΩΜΑΤΟΣ ΚΙΝΗΤΗΡΑ:

Αυτή είναι μια ένδειξη όταν η παροχή αέρα είναι μπλοκαρισμένη, η ροή αέρα προς τον κινητήρα παρεμποδίζεται ή διακόπτεται στη διαδρομή της βούρτσας δαπέδου, του σωλήνα, του δοχείου σκόνης, του μεταλλικού φίλτρου, του φίλτρου TOP HEPA, του φίλτρου HEPA πίσω).

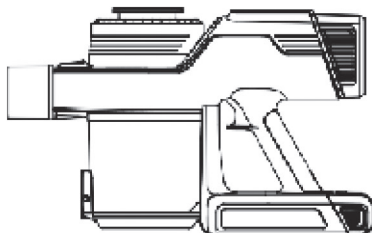
ΧΕΙΡΟΚΙΝΗΤΟΣ ΔΙΑΚΟΠΤΗΣ:

Αυτοί οι διακόπτες (+, -) χρησιμοποιούνται για τη ρύθμιση της ισχύος αναρρόφησης, υπάρχουν πέντε επίπεδα ισχύος.

ΕΝΔΕΙΚΤΗΣ ΑΛΛΑΓΗΣ ΙΣΧΥΟΣ:

Αυτή είναι μια επιλογή όταν η "ΑΥΤΟ ΜΟΔΕ" είναι ενεργοποιημένη για να δείτε την αλλαγή του επιπέδου ισχύος.

ΠΕΡΙΕΧΟΜΕΝΑ ΣΥΣΚΕΥΑΣΙΑΣ



Κυρίως σώμα



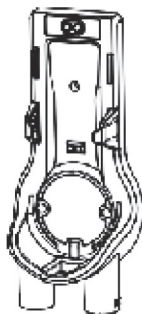
Ηλεκτρική βούρτσα



Βούρτσα ξεσκονίσματος 2 σε 1



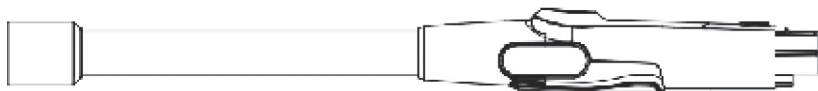
Εξάρτημα



Βάση φόρτισης



Φορτιστής



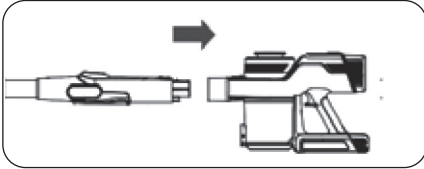
Μακρύς σωλήνας αλουμινίου με εύκαμπτο σωλήνα

Λόγω της συνεχούς βελτίωσης του προϊόντος, η παραπάνω διαμόρφωση θα ποικίλλει ανάλογα με το μοντέλο. Διατηρούμε την επιφύλαξη αυτού του δικαιώματος. Το δικαίωμα επεξήγησης ανήκει στην εταιρεία.

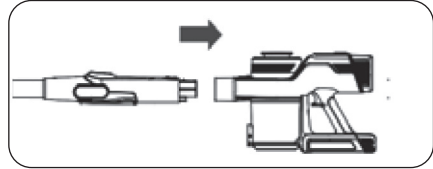
ΟΔΗΓΙΕΣ ΧΡΗΣΗΣ

Οδηγίες τοποθέτησης σωλήνων αλουμινίου

- Σπρώξτε το άκρο του σωλήνα αλουμινίου οριζόντια μέσα στην οπή της σκούπας για να βεβαιωθείτε ότι έχει προσαρτηθεί σωστά και ότι δεν είναι χαλαρό και ότι η τοποθέτηση είναι επιτυχής αφού ακουστεί ο χαρακτηριστικός ήχος ασφάλισης. (Εικόνα 1)
- Για να αφαιρέσετε τον σωλήνα αλουμινίου, κρατήστε το κυρίως σώμα με το ένα χέρι και τραβήξτε τον προς τα έξω με το άλλο χέρι ενώ ταυτόχρονα πατάτε το κουμπί. (Εικόνα 2)



Εικόνα 1



Εικόνα 2

Οδηγίες τοποθέτησης ηλεκτρικής βούρτσας

- Σπρώξτε το ένα άκρο του στομίου της στρογγυλής βούρτσας στο άκρο του σωλήνα της οπής εξαγωγής αέρα για να βεβαιωθείτε ότι είναι σφιχτό και όχι χαλαρό. Εάν ακουστεί ο ήχος ασφάλισης, η τοποθέτηση έγινε σωστά (Εικόνα 3).
- Εάν θέλετε να αφαιρέσετε τη βούρτσα, μπορείτε να το κάνετε κρατώντας την στο ένα χέρι και πιέζοντας ταυτόχρονα το κουμπί με το άλλο χέρι. Η βούρτσα θα τραβηχτεί προς τα έξω. (Εικόνα 4)
- Για την ηλεκτρική βούρτσα μπορεί επίσης να χρησιμοποιηθεί το σύστημα ένωσης του σωλήνα αλουμινίου και να τοποθετηθεί απευθείας στη βάση.



Εικόνα 3



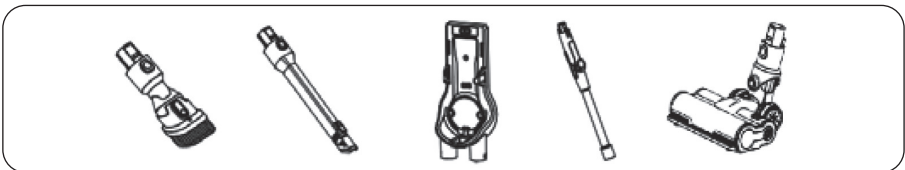
Εικόνα 4

Εξαρτήματα

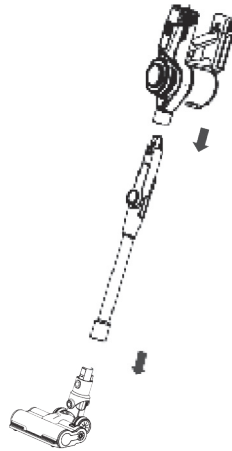
Οδηγίες χρήσης των εξαρτημάτων

Εκτός από τη χρήση του σωλήνα αλουμινίου και της ηλεκτρικής βούρτσας, μπορείτε να χρησιμοποιήσετε μια βούρτσα 2 σε 1 και το μακρύ ακροφύσιο ώστε η συσκευή σας να είναι κατάλληλη για χρήση σε όλες τις καταστάσεις (Εικ. 5):

- Βούρτσα 2 σε 1
Είναι κατάλληλη για τον καθαρισμό μικρών χώρων, κενών ή αντικειμένων ακανόνιστου σχήματος, όπως γωνίες τοίχου, διάκενο πλαισίου παραθύρων αλουμινίου, εσωτερικό οικιακών συσκευών, συρτάρια, μαξιλάρια αυτοκινήτου, κορνίζες, οροφές, πληκτρολόγια κ.λπ.
- Μακρύ ακροφύσιο
Είναι κατάλληλο για τον καθαρισμό δυσπρόσπτων σημείων, όπως γωνίες, κενά κ.λπ.



Εικόνα 5 (Εξάρτημα)



Εικόνα (6, 7)

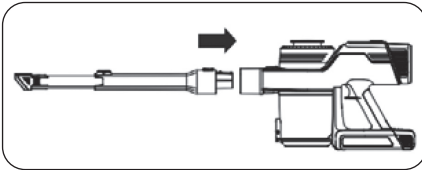
Τα εξαρτήματα μπορούν να τοποθετηθούν με 2 διαφορετικούς τρόπους: απευθείας στο άκρο του εύκαμπτου σωλήνα (Λειτουργία 1) ή στο άκρο του μπλοκ κινητήρα (Λειτουργία 2).

Λειτουργία 1: Πάρτε το μακρύ εξάρτημα ακροφυσίου και τοποθετήστε το στο άκρο του σωλήνα αλουμινίου μέχρι να ακούσετε τον χαρακτηριστικό ήχο που επιβεβαιώνει ότι έχει ασφαλίσει σωστά. Για να το αφαιρέσετε, απλά τραβήξτε το.

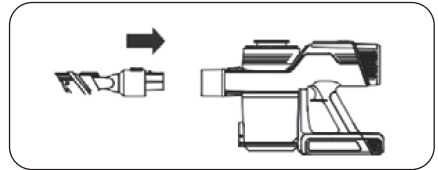
Πάρτε τη βούρτσα 2 σε 1 και χειριστείτε την με τον ίδιο τρόπο: τοποθετήστε την στο άκρο του σωλήνα αλουμινίου μέχρι να ακούσετε τον χαρακτηριστικό ήχο και να βεβαιωθείτε ότι έχει ασφαλίσει σωστά στη θέση της.

Για να την αφαιρέσετε, απλά τραβήξτε την. (Εικόνα 6 και 7)

Λειτουργία 2: Για να τοποθετήσετε τα εξαρτήματα απευθείας στο 5ο μπλοκ κινητήρα, επαναλάβετε τη διαδικασία (Εικόνες 8 και 9).



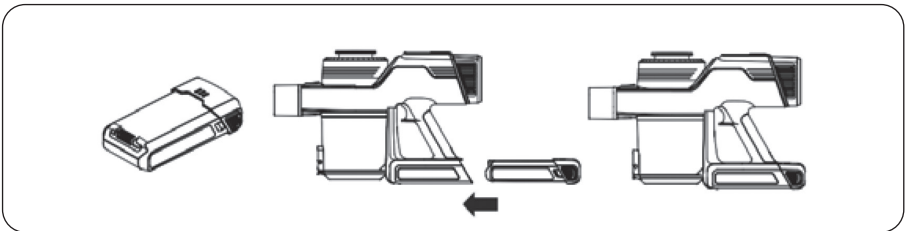
Εικόνα 8



Εικόνα 9

Οδηγίες τοποθέτησης μπαταρίας

Τοποθετήστε την μπαταρία στη συσκευή με την κατεύθυνση που υποδεικνύεται στην (Εικ.10) και όπως φαίνεται στην (Εικ.11) για να διασφαλίσετε ότι έχει προσαρτηθεί σωστά. Εάν ακουστεί ο ήχος ασφάλισης, έχει τοποθετηθεί σωστά.



Εικόνα 10

Εικόνα 11

ΠΡΟΣΟΧΗ:

Για να διασφαλίσετε μακροχρόνια χρήση, διατηρήστε την μπαταρία σε δροσερό και στεγνό μέρος και αφήστε την σε ημι-φορτισμένη κατάσταση. Τυλίξτε την μπαταρία με ένα μη αγώγιμο υλικό για να αποφύγετε την άμεση επαφή με αυτή ώστε να μην υποστεί ζημιά.

Χρήση

1. Προετοιμασία

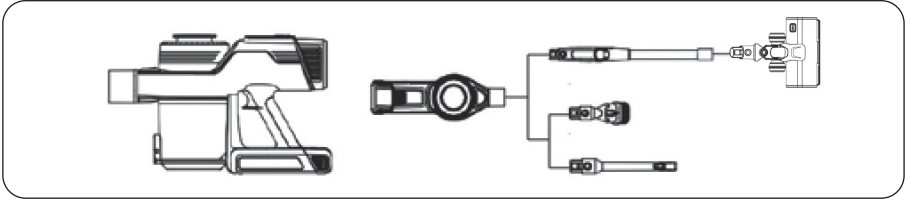
Πριν από τη χρήση, τοποθετήστε την μπαταρία και ελέγξτε εάν είναι φορτισμένη. Εάν όχι, φορτίστε την εγκαίρως (ανατρέξτε στην ενότητα «φόρτιση συσκευής»), καθώς μπορεί να χρησιμοποιηθεί μετά την επαναφόρτιση.

Ανάλογα με τον καθαριζόμενο χώρο, μπορούν να επιλεγούν τα απαιτούμενα εξαρτήματα. Η εταιρεία διαθέτει διάφορα εξαρτήματα.

Ανάλογα με τον καθαριζόμενο χώρο, μπορείτε να επιλέξετε να τον χρησιμοποιήσετε (βλ. παράρτημα «Οδηγίες λειτουργίας» για λεπτομέρειες).

2. Έναρξη λειτουργίας

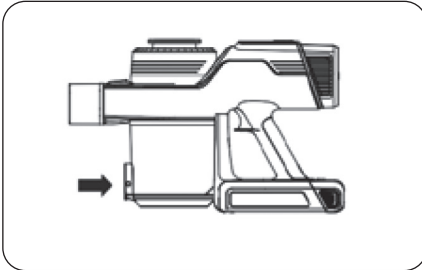
Πατήστε το «κουμπί λειτουργίας» και το κουμπί αφής και η συσκευή θα αρχίσει να λειτουργεί. Εάν θέλετε να την θέσετε εκτός λειτουργίας, απελευθερώστε το «κουμπί λειτουργίας». (Εικόνα 12)



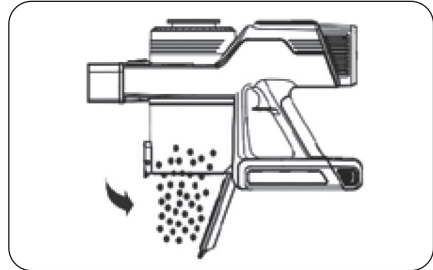
Εικόνα 12

3. Εκκένωση σκόνης

Αφού θέσετε τη συσκευή εκτός λειτουργίας, πατήστε επάνω στον δίσκο συλλογής σκόνης στο πλάι του συλλέκτη σκόνης (Εικ. 13) Ανοίξτε το κάλυμμα, αδειάστε τη σκόνη και κλείστε το κάλυμμα του συλλέκτη. (Εικ. 14)



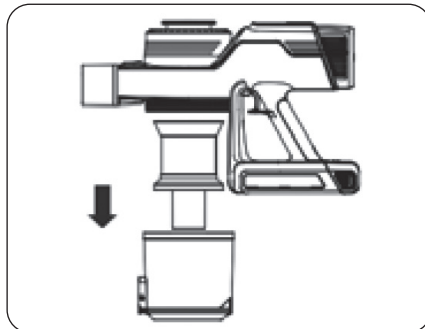
Εικόνα 13



Εικόνα 14

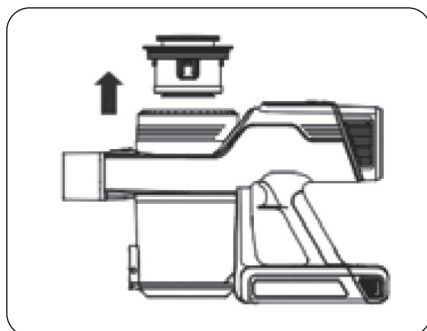
4. Αφαιρέστε το κάλυμμα του φίλτρου

Περιστρέψτε και αφαιρέστε τον δίσκο συλλογής της σκόνης. Με αυτόν τον τρόπο έχετε πρόσβαση στο φίλτρο από ανοξείδωτο χάλυβα. Περιστρέψτε το για να το αφαιρέσετε. Κάντε την αντίστροφη διαδικασία για να αντικαταστήσετε το φίλτρο από ανοξείδωτο χάλυβα και το δοχείο συλλογής σκόνης. (Εικ. 15)



Εικόνα 15

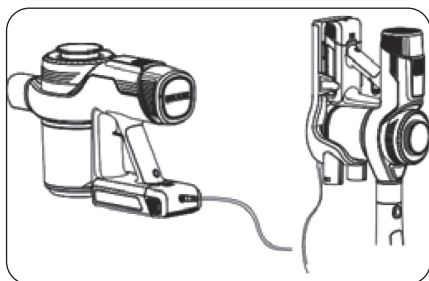
Αφαιρέστε το στοιχείο φίλτρου τραβώντας το προς την κατεύθυνση που υποδεικνύει το βέλος. (Εικ. 16)



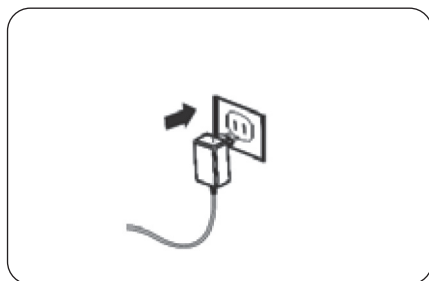
Εικόνα 16

5. Φόρτιση συσκευής

Συνδέστε τον φορτιστή απευθείας στην ηλεκτρική σκούπα ή τον σταθμό φόρτισης (Εικόνα 17) και το άλλο άκρο σε μια επίτοιχη πρίζα του σπιτιού σας. (Εικόνα 18)



Εικόνα 17



Εικόνα 18

Ένδειξη φόρτισης

Σε κατάσταση λειτουργίας: σταθερά αναμμένη Μερικώς

Φορτισμένη: Η λυχνία LED αναβοσβήνει.

Πλήρως φορτισμένη: σταθερά αναμμένη.

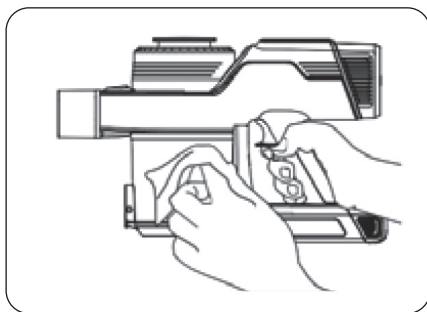
ΣΗΜΕΙΩΣΗ

- Αφού το προϊόν φύγει από το εργοστάσιο, χρησιμοποιήστε κάθε 3 μήνες (εφόσον πληρούνται συγκεκριμένες συνθήκες) τον ειδικό φορτιστή μας για να φορτίσετε την μπαταρία για 3 ώρες (δεν χρειάζεται να φορτιστεί πλήρως).
- Μη φορτίζετε την μπαταρία για μεγάλο χρονικό διάστημα. Σε περίπτωση υπέρβασης του προβλεπόμενου χρόνου φόρτισης, διακόψτε αμέσως τη διαδικασία φόρτισης. Διαφορετικά, μπορεί να προκύψουν κίνδυνοι όπως θέρμανση της μπαταρίας, παραμόρφωση ή κάψιμο.
- Όταν η μπαταρία δεν τίθεται σε λειτουργία για μεγάλο χρονικό διάστημα ή όταν είναι σε βαθιά εκφόρτιση, μπορεί να έχει μειωμένη ισχύ τις πρώτες φορές. Συνιστάται η πλήρης αποφόρτιση της μπαταρίας μετά τη φόρτισή της (συνήθως για περισσότερες από 6 ώρες). Χρειάζεται να επαναλάβετε τη διαδικασία δύο φορές.

ΚΑΘΑΡΙΣΜΟΣ ΚΑΙ ΣΥΝΤΗΡΗΣΗ

Για να μην επηρεαστεί αρνητικά η απόδοση της συσκευής, συνιστάται η τακτική συντήρηση των εξαρτημάτων της. Πριν από τον καθαρισμό του κυρίως σώματος της συσκευής (το μπλοκ κινητήρα) (το τμήμα συγκράτησης), βεβαιωθείτε ότι η συσκευή έχει τεθεί εκτός λειτουργίας και ότι δεν επαναφορτίζεται.

Τρίψτε με νερό ή καθαριστικό με ουδέτερο pH. Προτού τρίψετε, βεβαιωθείτε ότι το πανί είναι στεγνό. Φροντίστε να μην εισχωρήσει νερό στα εσωτερικά μέρη των ηλεκτρικών σκουπών (Εικ. 19) Μετά τον καθαρισμό, μην τοποθετείτε τη συσκευή σε μέρος άμεσα εκτεθειμένο στο ηλιακό φως ή σε μέρος με υγρασία.



Εικόνα 19

Καθαρισμός συλλέκτη σκόνης

Μόλις η ποσότητα της σκόνης φτάσει στην ένδειξη «MAX», απορρίψτε την το συντομότερο δυνατό και φροντίστε να μη γεμίσει υπερβολικά ο συλλέκτης.

Για πιο εύκολο άδειασμα του δοχείου συλλογής σκόνης, συνιστάται να αφαιρέσετε τον σωλήνα αλουμινίου ή άλλα εξαρτήματα πριν από τον καθαρισμό.

Αφού η συσκευή τεθεί εκτός λειτουργίας, ανοίξτε το κάλυμμα του συλλέκτη της σκόνης και αδειάστε τον. Σε περίπτωση επίμονων ακαθαρσιών στο εσωτερικό τοίχωμα του συλλέκτη σκόνης, σκουπίστε τις προσεκτικά με ένα βρεγμένο πανί.

Μετά τον καθαρισμό, κλείστε το κάλυμμα του συλλέκτη σκόνης και βεβαιωθείτε ότι το κουμπί ασφάλισης βρίσκεται στη θέση του.

ΣΗΜΕΙΩΣΗ

Αφού σκουπίσετε το εσωτερικό τοίχωμα του συλλέκτη σκόνης με ένα βρεγμένο πανί, πρέπει να το τοποθετήσετε κάτω από τον ήλιο και, στη συνέχεια, να καλύψετε τον συλλέκτη σκόνης αφού στεγνώσει καλά.

Καθαρισμός του φίλτρου εξόδου

Προκειμένου να διασφαλιστεί η καλή απόδοση του προϊόντος, συνιστάται να το καθαρίζετε τακτικά και να το αντικαθιστάτε μετά από 3-6 μήνες (ανάλογα με τη χρήση). Πατήστε παρατεταμένα το κουμπί απελευθέρωσης του συλλέκτη σκόνης, αφαιρέστε το σώμα και αναποδογυρίστε το κάλυμμα. Αφαιρέστε το σφουγγάρι και τινάξτε τη σκόνη από το φίλτρο του σφουγγαριού. (βλ. Εικ. 16) Εάν έχει συσσωρευτεί πολλή σκόνη, πλύντε το καλά και στεγνώστε το πριν το τοποθετήσετε στο κυρίως σώμα.

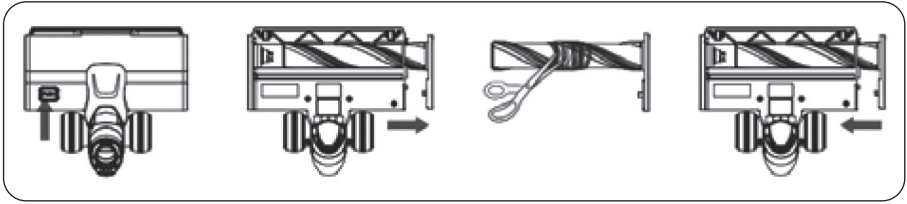
ΣΗΜΕΙΩΣΗ

Κατά το πλύσιμο του φίλτρου σφουγγαριού, χρησιμοποιήστε κρύο νερό και στεγνώστε το καλά (συνήθως στο φως του ήλιου για 24 ώρες και μετά επανατοποθετήστε το στο κυρίως σώμα της συσκευής.

Βούρτσα καθαρισμού

Συνιστάται ο καθαρισμός της βούρτσας μία φορά μετά από 4-5 χρήσεις:

1. Διακόψτε την τροφοδοσία και αφαιρέστε την ηλεκτρική βούρτσα.
2. Αναποδογυρίστε τη βούρτσα και γυρίστε το κουμπί ασφάλισης στο σταθερό κάλυμμα με ένα νόμισμα για να ανοίξετε την κλειδαριά. (Εικόνα 20)
3. Αφαιρέστε την κυλινδρική βούρτσα για να στερεώσετε την πλάκα του καλύμματος, αναστήξτε το ένα άκρο της κυλινδρικής βούρτσας και τραβήξτε προς τα έξω την κυλινδρική βούρτσα. (Εικόνα 21)
4. Χρησιμοποιήστε ένα ψαλίδι ή άλλα αιχμηρά εργαλεία για να αφαιρέσετε μπλεγμένες τρίχες ζώων και άλλες ακαθαρσίες (Εικόνα 22).
5. Όταν ολοκληρωθεί ο καθαρισμός, σπρώξτε το ένα άκρο της περιστρεφόμενης βούρτσας στη βούρτσα διαπέδου και, στη συνέχεια, ασφαλίστε το άλλο άκρο στη βούρτσα διαπέδου. (Εικόνα 23)
6. Κλείστε το κάλυμμα και κλειδώστε το.



Εικόνα 20

Εικόνα 21

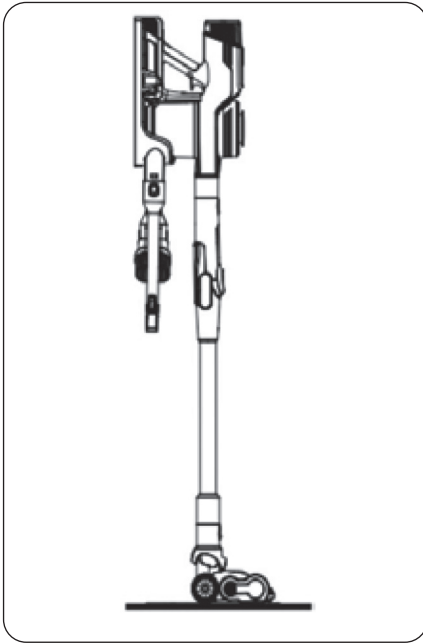
Εικόνα 22

Εικόνα 23

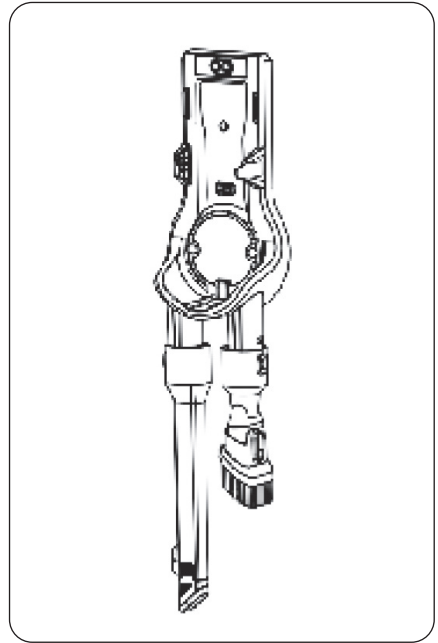
Ταξινόμηση και αποθήκευση

Φύλαξη βάσης φόρτισης: εύκολη αφαίρεση, κατάλληλη για εξοικονόμηση χώρου. (Εικόνα 24)

Φύλαξη εξαρτημάτων: εύκολη αφαίρεση, εύκολη συγκέντρωση. (Εικόνα 25)



Εικόνα 24



Εικόνα 25

ΑΝΤΙΜΕΤΩΠΙΣΗ ΠΡΟΒΛΗΜΑΤΩΝ

Ανάλυση και αντιμετώπιση συνηθισμένων βλαβών.

Πρόβλημα	Πιθανή αιτία	Λύση
Η ηλεκτρική σκούπα δεν λειτουργεί.	Το προϊόν δεν τροφοδοτείται καθόλου με ρεύμα ή με επαρκή ισχύ.	Χρησιμοποιήστε τη συσκευή αφού τροφοδοτηθεί με επαρκή ισχύ ηλεκτρικού ρεύματος.
	Το στόμιο της αναρρόφησης είναι φραγμένο.	Καθαρίστε το στόμιο της αναρρόφησης.
Η ισχύς αναρρόφησης της συσκευής είναι μειωμένη.	Ο συλλέκτης σκόνης και τα εξαρτήματα του φίλτρου έχουν υπερβολικά μεγάλη ποσότητα σκόνης.	Καθαρίστε τον συλλέκτη σκόνης και τα εξαρτήματα του φίλτρου.
	Η περιστρεφόμενη βούρτσα έχει παγιδεύσει τρίχες κ.λπ.	Καθαρίστε την περιστρεφόμενη βούρτσα.
	Μετά την αντιμετώπιση της παραπάνω κατάστασης, το πρόβλημα παραμένει.	Επικοινωνήστε με το τμήμα εξυπηρέτησης μετά την πώληση για τη συντήρηση της συσκευής.
Το μοτέρ εκπέμπει έναν μη φυσιολογικό ήχο κατά τη λειτουργία του.	Ο κύριος σωλήνας αναρρόφησης ή ο σωλήνας αλουμινίου είναι φραγμένος.	Απομακρύνετε τυχόν εμφράξεις από το εσωτερικό του κύριου σωλήνα αναρρόφησης ή του σωλήνα αλουμινίου.
	Μετά την αντιμετώπιση της παραπάνω κατάστασης, το πρόβλημα παραμένει.	Επικοινωνήστε με το τμήμα εξυπηρέτησης μετά την πώληση για τη συντήρηση της συσκευής.
Δεν είναι δυνατή η επαναφόρτιση του προϊόντος.	Ο κύριος υπολογιστής και η διεπαφή του φορτιστή δεν έχουν συνδεθεί σωστά.	Ελέγξτε και συνδέστε τα σωστά.
	Μετά την αντιμετώπιση της παραπάνω κατάστασης, το πρόβλημα παραμένει.	Επικοινωνήστε με το τμήμα εξυπηρέτησης μετά την πώληση για τη συντήρηση της συσκευής.

Εάν τα παραπάνω βήματα δεν έχουν αποτέλεσμα στη συσκευή σας, επικοινωνήστε με το τμήμα εξυπηρέτησης μετά την πώληση για βοήθεια.

ΤΕΧΝΙΚΑ ΧΑΡΑΚΤΗΡΙΣΤΙΚΑ

	Τεχνική παράμετρος
Τάση λειτουργίας (V)	25.2 V
Ονομαστική ισχύς (W)	400 W
Χωρητικότητα μπαταρίας (mAh)	2500mAh
Χωρητικότητα συλλέκτη σκόνης (L)	0.6L
Διάρκεια φόρτισης (ώρες)	3 έως 5 ώρες
Διάρκεια συνεχούς λειτουργίας (λεπτά)	έως 60 λεπτά
Διαστάσεις προϊόντος (mm)	369 x 125 x 227 mm
Καθαρό βάρος (kg)	2,65 kg

ΔΗΛΩΣΗ ΣΧΕΤΙΚΑ ΜΕ ΤΗΝ ΕΓΓΥΗΣΗ

Η εγγύηση δεν καλύπτει τα μέρη του προϊόντος που έχουν υποστεί φθορά, ούτε τα προβλήματα ούτε τις ζημιές που προκύπτουν από:

1. επιφανειακή φθορά ως επακόλουθο της φυσιολογικής χρήσης του προϊόντος.
2. ελαττώματα ή φθορά λόγω επαφής με υγρά και διάβρωση που προκαλείται από σκουριά ή παρουσία εντόμων.
3. οποιοδήποτε περιστατικό, κακή μεταχείριση, κακή χρήση, αλλοίωση, αποσυναρμολόγηση ή μη εξουσιοδοτημένη επισκευή
4. μη ορθή συντήρηση, μη ορθή χρήση του προϊόντος ή σύνδεση σε πηγή με λανθασμένη τάση.
5. οποιαδήποτε χρήση εξαρτημάτων που δεν παρέχονται ή δεν έχουν εγκριθεί από τον κατασκευαστή.

Η εγγύηση θα ακυρωθεί εάν αφαιρεθεί η ετικέτα ονομαστικών χαρακτηριστικών ή/και ο σειριακός αριθμός του προϊόντος.

Απόρριψη και περιβαλλοντική ευθύνη

Για μια φιλική προς το περιβάλλον στάση, σας προτρέπουμε να απορρίψετε τη συσκευή σωστά. Μπορείτε να επικοινωνήσετε με τις τοπικές αρχές ή τα κέντρα ανακύκλωσης για περισσότερες πληροφορίες.

ΑΠΟΡΡΙΨΗ



Η ύπαρξη αυτού του λογότυπου επάνω στο προϊόν σημαίνει ότι η απόρριψη της συσκευής πρέπει να γίνεται σύμφωνα με την Οδηγία 2012/19/ΕΕ της 4ης Ιουλίου 2012, σχετικά με τα απόβλητα ηλεκτρικού και ηλεκτρονικού εξοπλισμού (ΑΗΗΕ).

Οποιαδήποτε επικίνδυνη ουσία που περιέχεται σε ηλεκτρικό ή ηλεκτρονικό εξοπλισμό μπορεί δυνητικά να έχει επιπτώσεις στο περιβάλλον και την υγεία κατά την ανακύκλωση. Επομένως, στο τέλος της ωφέλιμης ζωής της, η συσκευή δεν πρέπει να απορρίπτεται μαζί με τα υπόλοιπα αστικά απορρίμματα.

Ο ρόλος σας ως τελικός καταναλωτής είναι ουσιαστικός όσον αφορά την επαναχρησιμοποίηση, την ανακύκλωση και την απόκτηση άλλων μορφών δημιουργίας αξίας από αυτό το προϊόν. Έχετε τη δυνατότητα επιλογής μεταξύ διαφορετικών συστημάτων συλλογής και ανταλλαγής που οργανώνονται από τις τοπικές αρχές (κέντρα ανακύκλωσης) και τους διανομείς. Πρέπει να αξιοποιήσετε αυτές τις δυνατότητες.

ΣΤΟ ΤΕΛΟΣ ΤΗΣ ΔΙΑΡΚΕΙΑΣ ΖΩΗΣ ΤΗΣ ΜΠΑΤΑΡΙΑΣ



Η συσκευή αυτή περιέχει μπαταρία που δεν μπορεί να αντικατασταθεί.

Οι χρησιμοποιημένες μπαταρίες πρέπει να απορρίπτονται σε ένα σύστημα επιλεκτικής συλλογής με σκοπό την ανακύκλωση και, κατά συνέπεια, τη μείωση των επιπτώσεων για το περιβάλλον.

Όταν η μπαταρία φτάσει στο τέλος της ζωής της, πρέπει να την τοποθετήσετε σε ένα κατάλληλο σύστημα επιλεκτικής συλλογής για την καταστροφή ή/και την ανακύκλωσή της.

- Σε περίπτωση διαρροής του οξέος της μπαταρίας, αποφύγετε την επαφή με το δέρμα, τα μάτια και τους βλεννογόνους! Το διαρρέον υγρό από τη μπαταρία μπορεί να προκαλέσει εξανθήματα. Σε περίπτωση επαφής του οξέος με το δέρμα, ξεπλύνετε αμέσως τις προσβεβλημένες περιοχές με καθαρό νερό και συμβουλευτείτε αμέσως έναν γιατρό.
- Οι μπαταρίες πρέπει να τοποθετούνται με τη σωστή πολικότητα +/-.
- Μην επαναφορτίζετε μη επαναφορτιζόμενες μπαταρίες λόγω του κινδύνου έκρηξης.

ΣΗΜΑΝΤΙΚΟ

Σε καμία περίπτωση δεν πρέπει να απορρίψετε τη συσκευή ή την μπαταρία σε δημόσιο αυτοκινητόδρομο.

Πληροφορίες σχετικά με τα εξωτερικά τροφοδοτικά βάσει του κανονισμού 2019/1782/ΕΕ της Επιτροπής

	Τιμή
Τάση εισόδου	100-240 V
Συχνότητα AC εισόδου	50/60 Hz
Τάση εξόδου	30 V
Ένταση ρεύματος εξόδου	0.5 A
Ισχύς εξόδου	15 W
Μέση απόδοση λειτουργίας	>86.8 %
Απόδοση σε χαμηλό φορτίο (10 %)	>72 %
Κατανάλωση ρεύματος χωρίς φορτίο	<0.1W

FONTOS FIGYELMEZTETÉSEK

KÉRJÜK, HASZNÁLAT ELŐTT FIGYELMESEN OLVASSA EL A BIZTONSÁGI UTASÍTÁSOKAT, ÉS ŐRIZZE MEG AZOKAT A KÉSŐBBI HASZNÁLATRA.



Biztonsági utasítások:

- **Az akkumulátort óvatosan távolítsa el!**
- Ne használja lépcsők közelében vagy erkélyeken. Ez a gép nem rendelkezik akadályelkerülő érzékelőkkel.
- A készüléket gyermekek, valamint fizikai, érzékszervi vagy értelmi képességeikben korlátozott, illetve a készüléket és annak használatát nem ismerő személyek csak olyan felügyelete mellett használhatják, aki a berendezés biztonságos módon történő használatára és az ezzel járó veszélyekre vonatkozó szabályokat megismerte.
- Ez a készülék kizárólag háztartási használatra készült.
- Ez a készülék alacsony és közepes szálmagasságú, erősített hátú szőnyegekhez alkalmas. Nem használható egyenetlen padlókon.
- A szőnyeg alatti tisztításnál vegye le az oldalkefét az oldalkefe védelme érdekében.
- Ha a tápkábel megsérül, a további veszélyek elkerülése érdekében azt csak a gyártó, annak szakszervize, vagy egy megfelelő végzettséggel rendelkező szakember cserélheti ki.
- Csak a gyártó által szállított töltővel használható.
- A készüléket kizárólag a gyári akkumulátorral használhatja
- Kérjük, csak adaptert használjon a termék használatához.
- Ne használja nedves vagy zsíros porral.
- Kerülje a törékeny (üveg, váza stb.) és egyéb olyan tárgyakat, amelyek belegabalyodhatnak a körkefékbe (hosszú haj, műanyag zacskók, kötél, drót stb.).
- Ne üljön a készülékre, és ne tegyen rá nehéz tárgyakat
- FIGYELMEZTETÉS: Győződjön meg arról, hogy a készülék szabadon használható a helyiségben és nincsenek baleseti kockázatok.
- Rendszeresen tisztítsa meg a készüléket.
- Rendszeresen ürítse ki a portartályt.
- Ha több, mint 3 hónapi nem használja a készüléket, akkor töltsen fel az akkumulátort.
- Csak akkor töltsen az akkumulátort, ha már majdnem teljesen lemerült.
- Az akkumulátort a készülékből az ártalmatlanítás előtt ki kell venni; az akkumulátor eltávolításakor a készüléket le kell választani a hálózatról;
- Ne dobja ki az akkumulátort a háztartási hulladékkal együtt. A helyi előírásoknak megfelelően ártalmatlanítsa őket.
- Az akkumulátort csak a készülékhez mellékelt adapterrel töltsen fel.
- Az akkumulátor eltávolításakor a készüléket le kell választani a hálózatról.
- Ez a készülék cserélhető akkumulátort tartalmaz.
- FIGYELMEZTETÉS: Az akkumulátor feltöltéséhez csak a készülékhez mellékelt meghatározható tápegységet használja.



Levehető tápegység

- FIGYELMEZTETÉS: Tartsa távol a laza ruházatát, haját, ujját stb. a motoros keféktől és a szívófejtől.
- FIGYELMEZTETÉS: a készülék tisztítása vagy karbantartása előtt a villásdugót ki kell húzni a konnektorból.

FONTOS!

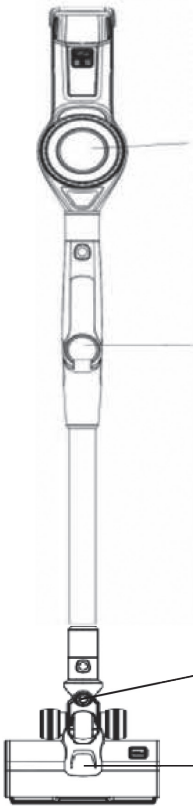
Ha a tápkábel megsérül, a további veszélyek elkerülése érdekében azt csak a gyártó, annak szakszervize, vagy egy megfelelő végzettséggel rendelkező szakember cserélheti ki.

Ha a készüléket leejtették, keressen fel egy szakképzett személyt, hogy ellenőrizze azt, mielőtt újra használná. A belső, nem látható sérülések balesetet okozhatnak.

Bármilyen probléma vagy javítás esetén forduljon a helyi értékesítési ponthoz, a gyártóhoz vagy egy szakképzett személyhez a veszélyhelyzetek elkerülése érdekében.

A KÉSZÜLÉKRŐL

A termék áttekintése



Centrifugális technológiával működő porszívó légszűrő szivacs

Kettős szűrés és nagy hatékonyságú tisztítás, melynek célja a legjobb eredmény érdekében.

Kiváló minőségű alumíniumcső, könnyű, korrózióálló

Változtatható hosszúságú kialakítás, könnyen kezelhető, magas helyeken, réseken és más nehezen elérhető sarkokban.

Könnyű szívófejmozgatás, kényelmes működés.

A porszívófej szabadon forog a szennyeződések hatékony eltávolítása érdekében.

Elektromos padlókefe

Minden típusú padló, valamint vastag gyapjuszőnyegek könnyű tisztítására, mindenféle szennyeződés eltávolítására.

Motoregység

Jelzőlámpa

Folyamat- és töltöttségekijelzés

Fordulatszám szabályzó

Az egyedi igényeknek megfelelően állíthatja a szívóerőt

Indítógomb

Szükség szerint gyorsan elindíthatja/leállíthatja a porszívót, így energiát takaríthat meg.

Átlászó portartály

Könnyen felügyelhető az összegyűjtött por mennyiség, ezáltal mindig időben üríthető.

Zár gomb

Különböző tartozékok egyszerű fel- és leszereléséhez

Transparent dust barrel

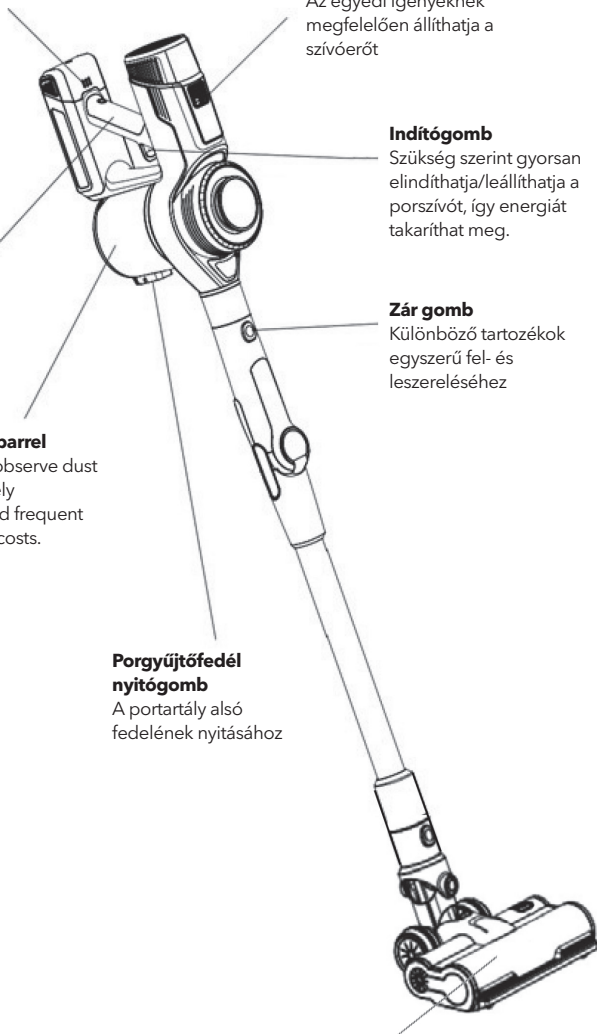
It is convenient to observe dust collection and timely processing, to avoid frequent filter changes and costs.

Porgyűjtőfedél nyitó gomb

A portartály alsó fedelének nyitásához

Elektromos kefe

Minden típusú padló, valamint vastag gyapjúszőnyegek könnyű tisztítására, mindenféle szennyeződés eltávolítására.



Elektromos kefe

Rugalmas forgatás, kényelmes működés

A fej szabadon forog és hatékonyan távolítja el a szennyeződések.

LED lámpa

Még sötét helyiségekben is egyszerű a porszívózás a LED világításnak köszönhetően.

Körkefe

Az optimalizált elvezetőnek köszönhetően rendkívül hatékony.

Porterelő

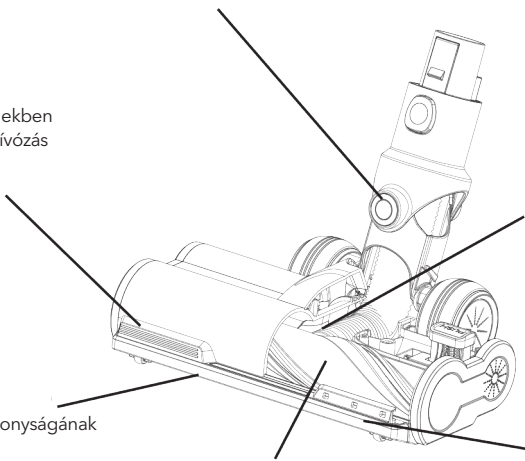
A tisztítás hatékonyságának javításáért.

Nylon kefe

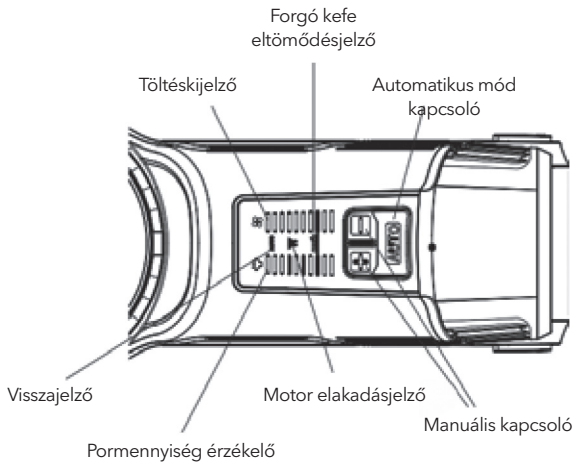
Dupla rétegű finom nylon kefe, amely könnyen kiszedi a szennyeződések a rövid gyapjuszőnyeg és a padlóvarrás közül.

Ütésvédő

Megvédi a kefefejet a közvetlen erőbehatásoktól.



Porérzékelő



TELJESÍTMÉNYVÁLTOZÁS JELZŐ:

Ez egy lehetőség, amikor az "AUTO MODE" be van kapcsolva, hogy lássa a teljesítményszint változását.

FORGÓKEFE ZÁRJELZŐ:

Az Indicarot azt jelzi, hogy a pedálban lévő motorkefe eltömődött vagy nem működik. Javasoljuk, hogy a normál működéshez engedje el a keféet vagy tisztítsa meg.

AUTOMATIKUS ÜZEMMÓD KAPCSOLÓ:

Ezzel a kapcsolóval az "AUTO MODE" funkciót be- vagy kikapcsolhatja. A porszívó működése "Automatikus módban" ez azt jelenti, hogy a porszívó egy erősségű szívóerővel működik, és amikor nagy mennyiségű port szív be és áthalad az érzéken, akkor érzékeli a port és növeli a szívóteljesítményt, miközben az érzékelő érzékeli, hogy nem porzik tovább, és visszaáll a szívóerő korábbi erősségére.

AUTOMATIKUS ÜZEMMÓD JELZŐ:

Ez azt jelzi, hogy az "AUTO MODE" tisztítási mód be-/ki van kapcsolva.

PORÉRZÉKELŐ JELZŐ:

Ha a jelzőfény a lámpák több mint felét felkapcsolja, meg kell tisztítani a felső HEPA szűrőt. A led visszajelző figyelmen kívül hagyása mellékhatásokhoz vezethet: eldugult Hepa szűrő, gyengül a szívóerő, tönkremegy a motor.

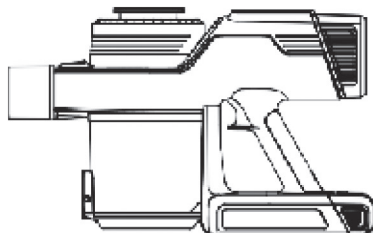
MOTORZÁRJELZŐ:

Ez azt jelzi, ha a levegőellátás elzáródott, a levegő áramlása a motorba akadályozott vagy megszakadt a padlókefe, cső, portartály, fémszűrő, TOP HEPA szűrő, Hátsó HEPA szűrő útján.

KÉZI KAPCSOLÓ:

Ezek a kapcsolók (+, -) a szívóteljesítmény beállítására szolgálnak, öt teljesítményszint van.

A CSOMAGOLÁS TARTALMA



Motoregység



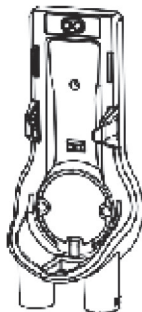
Elektromos kefe



2 az 1-ben kefefej



Keskeny szívófej



Töltő állomás



Töltő



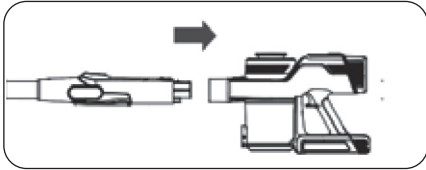
Hosszú alumíniumcső rugalmas tömlővel

A termék folyamatos fejlesztése miatt a fenti konfiguráció típusonként változik. Ezt a jogot fenntartjuk. A magyarázat joga a céget illeti meg.

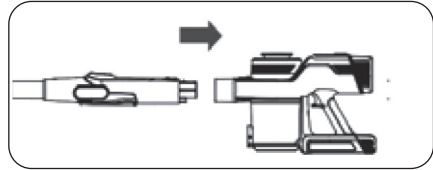
HASZNÁLATI UTASÍTÁS

Szerelési útmutató alumíniumcsövekhez

- Az alumíniumcső végét vízszintesen tolja be a motoregység szívónyílásába. Amikor egy kattantást hall az jelzi, hogy a retesz záródott (1. ábra)
- Az alumíniumcső eltávolításához fogja meg egyik kezével a főtestet, és a másik kezével húzza ki a csövet a gomb megnyomásával. (2. ábra)



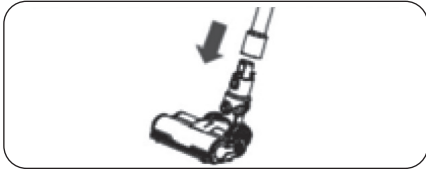
1. ábra



2. ábra

Az elektromos kefe felszerelése

- Nyomja a szívófej csövét a padlófej szívócsővére addig, amíg kattantást nem hall. Ez jelzi, hogy a retesz záródott. (3. ábra).
- Ha el akarja távolítani a kefét, nyomja meg a reteszgombot és húzza ki a kefefejét. (4. ábra)
- Az elektromos kefét közvetlenül a motoregységre is felszerelheti.



3. ábra



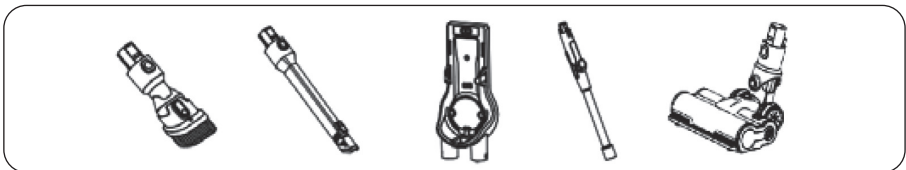
4. ábra

Tartozékok

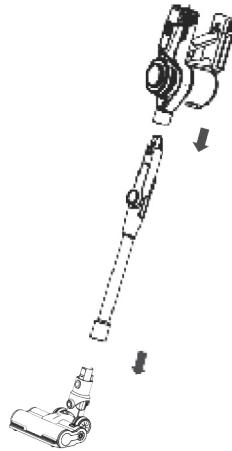
A tartozékok használatára vonatkozó utasítások

Az alumíniumcső és az elektromos kefe használata mellett használhatja a 2 az 1-ben kefét és a hosszú szívófejet is (5. ábra):

- 2 az 1-ben kefe
Alkalmas kis helyiségek, rések vagy szabálytalan formájú tárgyfelületek tisztítására, mint például falsarkok, ötvözött ablakkeretek rései, háztartási gépek belseje, fiókok, autóülések, képkeretek, mennyezetek, billentyűzetek stb.
- A hosszú cső
Alkalmas a nehezen elérhető sarkok, például falak találkozási pontjai, rések stb. tisztítására.



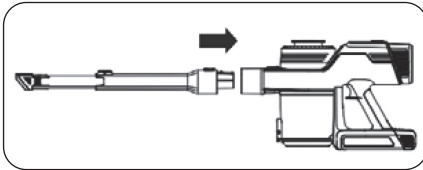
5. ábra (tartozék)



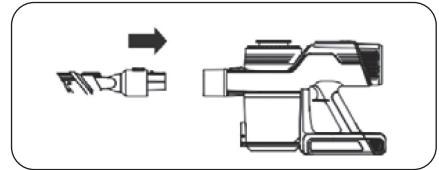
Ábra (6, 7)

A tartozékok 2 különböző módon illeszthetők be: közvetlenül a cső végére (1. mód) vagy a motorblokk végére (2. mód).

1. mód: Fogja meg a hosszú szívófejet, és illesse be az alumíniumcső végébe, amíg egy kattantást nem hall. A 2 az 1-ben kefe tartozékot ugyanazzal művelettel helyezze be az alumíniumcső végébe, amíg egy kattantást nem hall. Eltávolításához közvetlenül húzza meg a tartozékot. (6. és 7. ábra)
2. mód: Ha a tartozékokat közvetlenül a motorblokkba szeretné behelyezni, ismétlje meg a műveletet 8. és 9. ábra szerint.



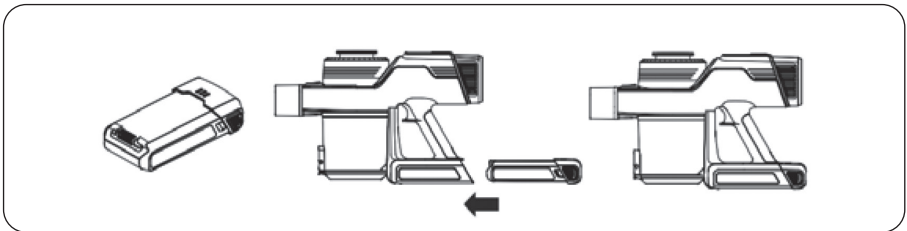
8. ábra



9. ábra

Az akkumulátor beszerelése

Szerelje be az akkumulátort a gépbe a 10. ábra szerint, és rögzítse a 11. ábra szerint, hogy ne lazuljon meg. Ha a reteszhang hallatszik, akkor a művelet sikeres volt.



10. ábra

11. ábra

FIGYELEM:

Ha hosszabb ideig nem használja a készüléket, tartsa az akkumulátort hűvös és száraz helyen, és hagyja félig feltöltött állapotban. Kérjük, csomagolja be az akkumulátort antisztatikus anyagba, hogy elkerülje az akkumulátor károsodását.

Használat

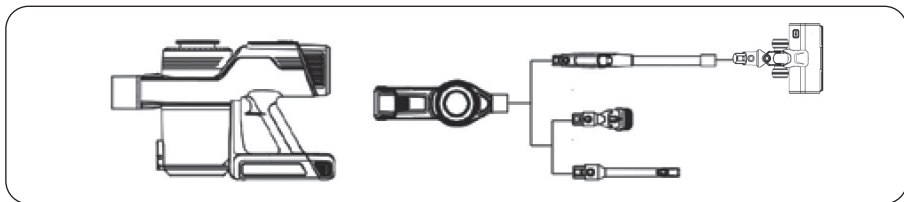
1. Iőkészületek

Használat előtt kérjük, helyezze be az akkumulátort, és ellenőrizze, hogy az fel van-e töltve. Ha nem, kérjük, időben töltsen fel (lásd a "termék töltése" című részt), csak a feltöltés után használható.

A tisztítandó felületnek megfelelően a tartozékok igény szerint választhatók.

2. A munka megkezdése

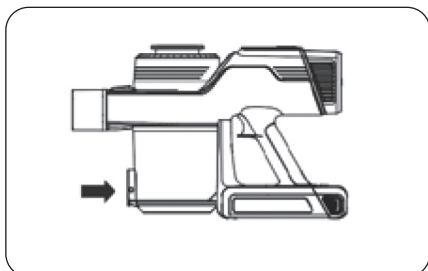
Tartsa lenyomva a gombot, hogy a motor elinduljon, majd engedje a feladat végeztével. (12. ábra)



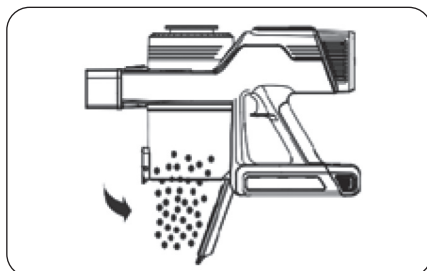
12. ábra

3. A portartály kiürítése

A gép leállítása után gyengéden és finoman ütögesse meg a portartály oldalát. (13. ábra) Nyissa ki a fedelet, ürítse ki a port, majd zárja vissza a fedelet. (14. ábra)



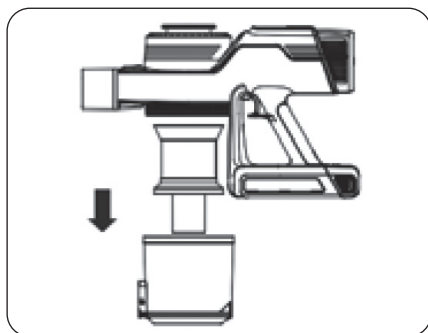
13. ábra



14. ábra

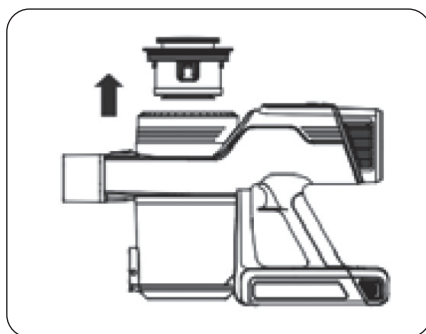
4. A szűrőegység szétszerelése

Forgassa el és vegye ki a porgyűjtőt, így hozzáfér a rozsdamentes acél szűrőhöz. Forgassa el és távolítsa el. A visszaszereléshez végezze el a műveletet fordított sorrendben (15. ábra).



Ábra 15

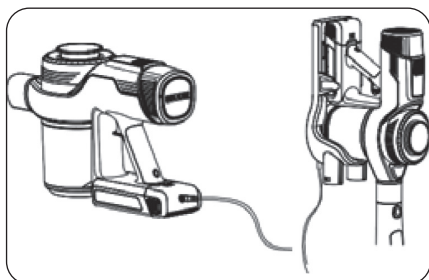
Vegye ki a szűrőbetétet a nyíl által jelzett irányban. (16. ábra)



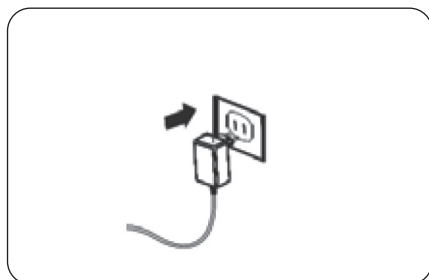
ábra 16

5. Az akkumulátor töltése

Csatlakoztassa a töltőt közvetlenül a porszívóhoz vagy a töltőállomáshoz (17. ábra), a másik végét pedig az otthoni elektromos hálózathoz. (18. ábra)



17. ábra



18. ábra

A töltési kijelzőről

Működés közben: a lámpa folyamatosan világít.

Részlegesen feltöltve: LED villog.

Teljesen feltöltve: a lámpa folyamatosan világít.

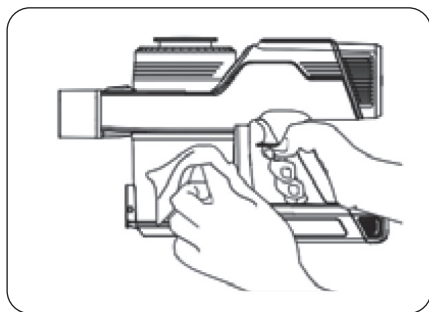
MEGJEGYZÉS

- Első használat előtt, majd legalább 3 havonta (ha ritkán használja a készüléket), a speciális töltővel töltsze az akkumulátort 3 órán keresztül (nem kell teljesen feltölteni).
- Ne töltsze az akkumulátort hosszú ideig, ha a normál töltési időn túl is tölt, kérjük, azonnal hagyja abba, különben az akkumulátor felmelegedhet és akár ki is gyulladhat.
- Ha az akkumulátor hosszú ideig nincs használatban, vagy ha mélymerülésben van, az első néhány alkalommal csökkenhet a teljesítménye. Ajánlott egy töltés után teljesen lemeríteni, majd teljesen feltölteni. A műveletet csak kétszer kell megismételni.

TISZTÍTÁS ÉS KARBANTARTÁS

Annak érdekében, hogy a készülék sokáig jól működjön, ajánlott rendszeresen karbantartani az alkatrészeket. A fődarab (a tartórész) tisztítása előtt győződjön meg arról, hogy a gép nincs bekapcsolva, és az akkumulátort éppen nem tölti.

A tisztítást egy enyhén nedves ronggyal vagy semleges tisztítószerszel végezheti el. Ügyeljen rá, hogy ne jusson semmilyen nedvesség a porszívó belső részeibe (19. ábra) Tisztítás után ne tegye közvetlen napfényre vagy nedves, párák helyre.



19. Ábra

A porgyűjtő tisztítása

Ha a por mennyisége eléri a "MAX" értéket, kérjük, hogy a lehető leghamarabb ürítse ki.

A portartály könnyebb kiürítése érdekében ajánlott eltávolítani az alumíniumcsövet és más tartozékokat.

A készülék leállítása után nyissa ki a porgyűjtő fedelét, és ürítse ki a port. Ha a tartály belső falán makacs szennyeződés található, óvatosan törölje le egy nedves ronggyal.

A tisztítás után zárja be a fedelet és győződjön meg róla, hogy a reteszelőgomb a helyén van.

MEGJEGYZÉS

Ha egy nedves ronggyal törölte meg a tartály belső falát, lezárás előtt várja meg, amíg a porgyűjtő megfelelően kiszárad.

A kimeneti szűrő tisztítása

A teljesítményszint biztosítása érdekében ajánlott rendszeresen tisztítani és 3-6 hónap után cserélni (a használattól függően). Tartsa lenyomva a portartály kioldó gombot, vegye le a testet és fordítsa el a fedelet, vegye ki a szivacsot, és porolja le a szivacsoszűrőt. (lásd a 16. ábrát)

Ha túl sok por gyűlt fel benne, alaposan mossa ki és szárítsa meg, mielőtt visszahelyezi a fődarabba.

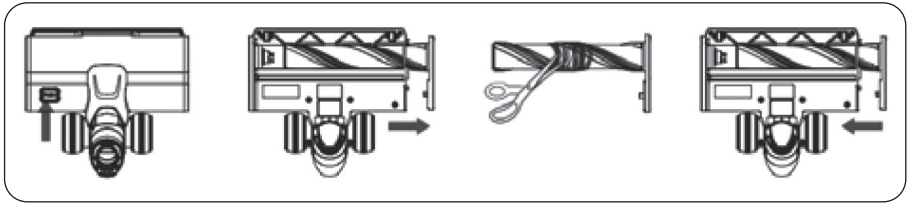
MEGJEGYZÉS!

A szivacsoszűrő mosása során használjon hideg vizet, és alaposan szárítsa meg (többnyire 24 órát vesz igénybe).

Tisztítókefe

Javasoljuk, hogy a kefét minden 4-5. használat után tisztítsa meg:

1. Kapcsolja ki a készüléket és vegye ki az elektromos kefét.
2. Fordítsa meg a padlófejet, és egy érmével forgassa el a rögzített fedélen lévő zárógombot a zár kinyitásához. (20. ábra)
3. Távolítsa el a hengerkefét a fedőlapból, emelje fel a hengerkefe egyik végét, és húzza ki. (21. ábra)
4. Ollóval vagy más éles eszközzel távolítsa el a hajat, állatszört és egyéb szennyeződések (22. ábra).
5. 5A tisztítást követően, tolja a gurulókefe egyik végét a padlófejbe, majd a másik végét rögzítse. (23. ábra)
6. Zárja le a fedelet.



20. ábra

21. ábra

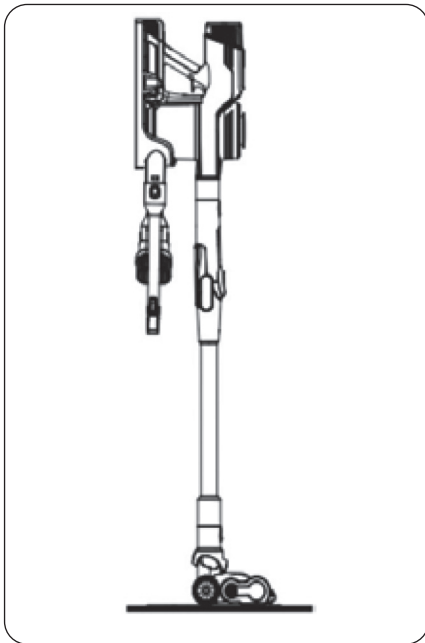
22. ábra

23. ábra

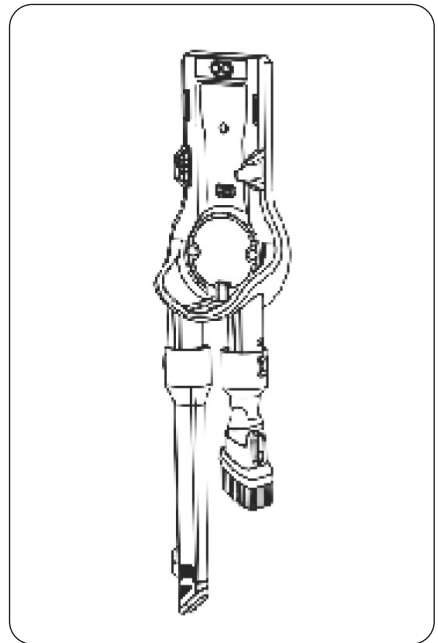
Tárolás

Töltőállomáson: könnyen felemelhető, helytakarékos. (Ábra 24)

Kiegészítők tárolása: könnyű tárolás, azonnal hozzáférhető. (Ábra 25)



24. ábra



25. ábra

HIBAELHÁRÍTÁS

A gyakori hibák elemzése és kezelése.

Probléma	Lehetséges ok	Megoldás
A porszívó nem működik.	A készüléknek nincs, vagy elégtelen az áramellátása.	Ellenőrizze a csatlakozásokat, töltsse fel teljesen a készüléket.
	A szívónyílás elzáródott.	Tisztítsa meg a nyílást.
A termék szívóereje lecsökkent.	A porgyűjtő és a szűrő alkatrészek tele vannak porral.	Tisztítsa meg a porgyűjtőt és a szűrőket.
	A forgókefe tele van szennyeződéssel.	Tisztítsa meg a kefét.
	Ha a fentiek után a helyzet változatlan marad.	Karbantartásért forduljon vevőszolgálatunkhoz.
A motor rendellenes hangot ad.	A fő szívócső vagy az alumíniumcső eltömődött.	Távolítsa el az akadályokat a fő szívócső, alumíniumcső belsejéből.
	Ha a fenti után a helyzet változatlan marad.	Karbantartásért forduljon vevőszolgálatunkhoz.
A készüléket nem lehet feltölteni.	A töltő nincs megfelelően csatlakoztatva.	Ellenőrizze a csatlakozásokat.
	Ha a fenti után a helyzet változatlan marad.	Karbantartásért forduljon vevőszolgálatunkhoz.

Ha a fenti lépések nem vezetnek eredményre, kérjük, forduljon a szervizünkhöz további segítségért.

MŰSZAKI SPECIFIKÁCIÓK

	Műszaki paraméterek
Üzemi feszültség (V)	25.2 V
Névleges teljesítmény (W)	400 W
Az akkumulátor kapacitása (mAh)	2500 mAh
Porgyűjtő kapacitása (L)	0.6 L
Teljes töltési idő (h)	3-5 óra között
Folyamatos üzemidő (fokozat)	Legfeljebb 60 perc
Termék mérete (mm)	369 x 125 x 227mm
Nettó súly (kg)	2.65 kg

KIZÁRÁS A JÓTÁLLÁSI FELTÉTELEK ALÓL

A jótállás nem terjed ki a termék kopó alkatrészeire, sem az ebből eredő problémákra vagy károokra:

1. a termék normál használata során keletkező felületi károsodás;
2. folyadékokkal való érintkezésből, rozsdá okozta korrózióból vagy rovarok által okozott hibák;
3. bármilyen esemény, visszaélés, helytelen használat, módosítás, szétszerelés vagy jogosulatlan javítás;
4. nem megfelelő karbantartás, helytelen használat vagy nem megfelelő feszültséghez való csatlakoztatás;
5. a gyártó által nem jóváhagyott tartozékok használata.

A jótállás megszűnik, ha a termék információs tábláját és/vagy sorozatszámát eltávolítják.

Ártalmatlanítás

A környezetünk megóvása érdekében arra kérjük Önt, hogy készülékét megfelelő módon ártalmatlanítsa. További információért forduljon a helyi hatóságokhoz vagy újrahasznosító központokhoz.

HULLADÉKKEZELÉS



A fenti szimbólum azt jelzi, hogy a helyi törvényeknek és előírásoknak megfelelően a készüléket a háztartási hulladéktól elkülönítve kell a hulladékba helyezni. Ha a termék eléri élettartama végét, vigye a helyi hatóságok által kijelölt gyűjtőpontra. A készülék elkülönített módon történő gyűjtése és újrahasznosítása segít megóvni a természeti erőforrásokat, és biztosítja, hogy az újrahasznosítás az emberi egészség és a környezet védelmével összhangban történjen. A termék újrahasznosítása érdekében további információért forduljon az illetékesekhez, a helyi hulladékgyűjtő szolgáltatóhoz vagy ahhoz az üzlethez, ahol a terméket megvásárolta.

AZ AKKUMULÁTOR ÉLETTARTAMÁNAK VÉGÉN



Ez a készülék egy nem cserélhető akkumulátort tartalmaz. A használt akkumulátorokat szelektív gyűjtőpontokon kell leadni, így csökkentve a környezetre gyakorolt hatásukat.

Amikor az akkumulátor eléri az élettartama végét, azt egy megfelelő szelektív gyűjtőpontra adja le, ahol gondoskodnak a megsemmisítéséről és/vagy újrahasznosításáról.

- Ha az akkumulátorsav kiszivárgott, kerülje a bőrrel, szemmel és nyálkahártyával való érintkezést! Az akkumulátorból kiszivárgó folyadék kiütéseket okozhat. Ha a sav mégis érintkezett a bőrrel, azonnal öblítse le az érintett területeket tiszta vízzel, és azonnal forduljon orvoshoz.
- Az akkumulátorokat a megfelelő polaritással párosítva +/- kell beszerelni.
- Ne töltsen fel a nem újratölthető elemeket a robbanásveszély miatt.

FONTOS

Semmilyen körülmények között ne dobja ki a készüléket vagy az akkumulátort a közútra.

A 2019 /1782/EU bizottsági rendelethez tartozó külső tápegységekre vonatkozó információk

	Érték
Bemeneti feszültség	110V-120V / 220V-240V
AC bemeneti frekvencia	50/60 Hz
Kimeneti feszültség	30 V
Kimeneti áramerősség	0.5 A
Kimeneti teljesítmény	15 W
Átlagos aktív hatásfok	>86.8 %
Hatékonyosság alacsony terhelésnél (10 %)	>72 %
Energiafogyasztás üresjáratban	<0.1 W

Само за домаќинство.
Внимателно прочитајте го ова упатство пред употреба.

ВАЖНИ ПРЕДУПРЕДУВАЊА

ВЕ МОЛИМЕ ВНИМАТЕЛНО ПРОЧИТАЈТЕ ГИ БЕЗБЕДНОСНИ УПАТСТВА ПРЕД КОРИСТЕЊЕ И ЧУВАЈТЕ ГИ ЗА ПОНАТАМОШНА УПОТРЕБА.



Безбедносни инструкции:

- **Батеријата мора безбедно да се отстрани**
- Немојте да го користите во близина на скали или на балкони. Оваа машина нема никакви сензори за избегнување.
- Овој уред може да го користат деца над 8 години и луѓе со физички, сетилни или ментални вештини или со недостаток на искуство и знаење под услов да се ставени под надзор или да имаат добиено упатства за безбедно користење на машината и да ги разберат опасностите. Децата не треба да си играат со апаратот. Чистењето и одржувањето од страна на корисникот не треба да го прават деца без надзор.
- Овој уред е наменет само за домашна употреба.
- Овој уред е погоден за теписи со низок до среден грб. Не е погоден за нерамни подови или мешани теписи.
- Отстранете ја страничната четка при чистењето под тепих за да ја заштитите страничната четка.
- Ако кабелот за напојување на адаптерот ештетен, адаптерот мора да се фрли.
- Полнењето на батеријата/батериите е само со полначот испорачан од производителот
- Користете го уредот со батеријата
- (S) специјално создадена (S) за оваа намена. Употребата на која било (S) друга (S) батерија (S) може да предизвика експлозија или пожар
- Ве молиме користете адаптер кој ќе го користите само за овој производ.
- Да не се употребува на влажна или мрсна прашина.
- Пред употреба, потргнете ги кривките предмети (стакло, светилки, итн.) и други предмети што би мо желе да ги заплеткуваат четките (долга коса, пластични кеси, јаже, жица итн.).
- Не седете на машината и не ставајте тешки работи врз неа.
- **ПРЕДУПРЕДУВАЊЕ:** Проверете дали уредот може слободно да функционира во просторијата (не е блокиран од пречка, не може да падне) и дека нема пречка на која уредот може да се преврти и да создаде ризик од опасност (како запалени свеќи или вазна исполнета со вода).
- Редовно чистете ја машината.
- Испразнете го садот за прав.
- Вчитајте ја машината ако не сте ја користеле три месеци.
- Полнете само во ситуација на аларм за мала моќност или кога напојувањето е исклучено.

Користете го уредот по целосно полнење.

- Батеријата мора да се отстрани од апаратот пред да се фрли; уредот мора да се исклучи од електричната мрежа кога ја вадите батеријата;
- Не фрлајте ги батериите со отпадот од домаќинството. Отстранете ги во согласност со локалните регулативи.
- Наполнете ја батеријата / роботот само со адаптерот што го добивате со уредот.
- Надворешниот флексибилен кабел од овој адаптер не може да се замени, во случај на оштетување на кабелот потребно е да го отстраните со се кабелот и да го замените со ист таков.
- Кога ја вадите батеријата, апаратот мора да се исклучи од напојувањето.
- Овој уред содржи батерија што може да се замени.
- **ПРЕДУПРЕДУВАЊЕ:** За потребите на полнење на батеријата, користете го само определениот напојувачки уред обезбеден со овој апарат.



Одвојувачка единица за напојување

- **ПРЕДУПРЕДУВАЊЕ:** Ризик од заробување. Чувајте ја широката облека, косата, прстот и сл. подалеку од моторизираните четки и прскалки.
- **ПРЕДУПРЕДУВАЊЕ:** приклучокот мора да се извади од штекерот пред да го чистите или одржувате апаратот.

ВАЖНО

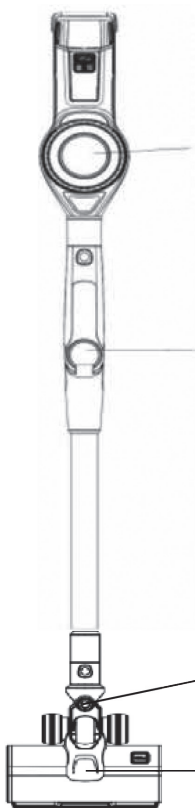
Забрането е сами да го замените кабелот за напојување доколку е оштетен.

Ако уредот падне, ве молиме побарајте квалификувано лице да го провери пред повторно да го користите. Внатрешното оштетување може да предизвика несреќи.

За секаков вид проблеми или поправки, ве молиме контактирајте ја службата за корисници на локалниот дистрибутер, производител или квалификувано лице за да избегнете опасност.

ОПИС НА УРЕДОТ

Преглед на производот



Правосмукалка со центрифугална технологија со сунѓер за филтрирање на воздухот

Двојна филтрација и високоефикасно чистење, за да се постигне најдобриот ефект на отстранување на прашината.

Висококвалитетна алуминиумска цевка, лесен дизајн отпорен на корозија

со прекумерна должина, лесен за справување со високи места, пукнатини и други тешки агли.

Флексибилна ротација, практично ракување.

Слободно ротирање и ефикасно отстранување на нечистотијата.

Електрична подна четка

За лесно чистење на сите видови подови како и дебели волнени теписи за отстранување на сите видови нечистотија.

Блок на моторот

Indicator lamp

Работна светилка.
Светилка за
електрична енергија

Регулатор на брзина

Контролирајте ја
брзината по ваша
желба

Копче за почеток

Брзо по потреба
можете да го
стартувате/запрете
правосмукалка, а со
тоа и енергија
може да те спаси

Мека рачка

Висококвалитетна
текстура, отпорност
на абеење и кинење.

Копче за заклучување

Флексибилна
комбинација на
разни додатоци,
поудобно работење.

Прозирен канистер за прашина

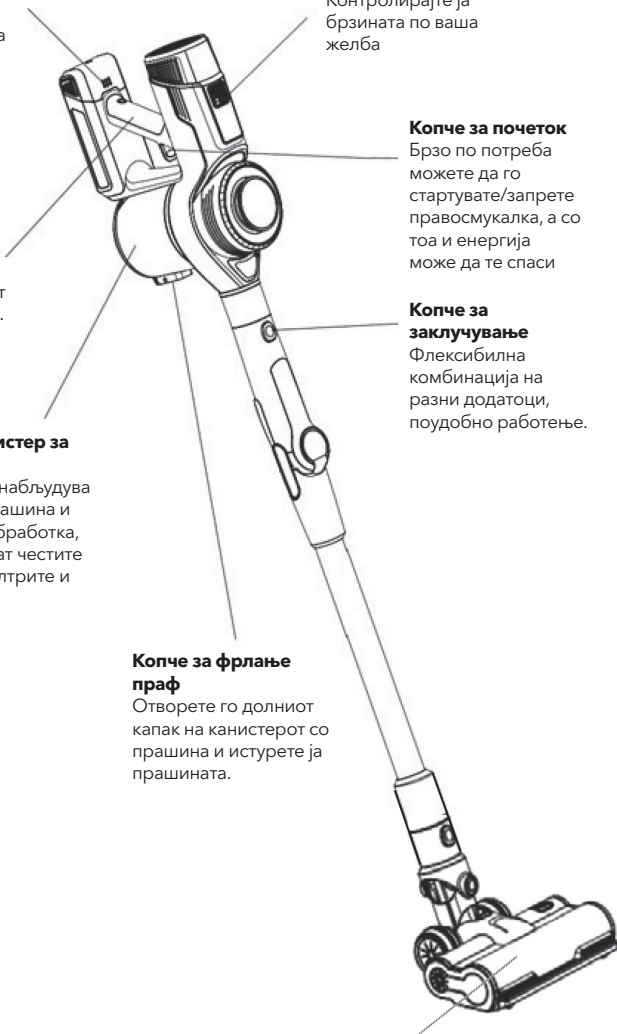
Удобно е да се набљудува
собирањето прашина и
навремената обработка,
за да се избегнат честите
промени на филтрите и
трошоците.

Копче за фрлање праф

Отворете го долниот
капак на канистерот со
прашина и истурете ја
прашината.

Електрична четка

За лесно чистење на сите
видови подови како и
дебели волнени теписи
за отстранување на сите
видови нечистотии.



Електрична четка

Флексибилна ротација, практично ракување.

Слободна ротација, и ефикасно отстранување на нечистотијата

LED светилка

Подобно е да ја воочите темната прашина, така да ја исчистите без слепи точки.

Шуплина на четка за тркалање

Оптимизиран дизајн на шуплината на четката, помага да се подобри стапката на отстранување на прав.

Стрип за прашина

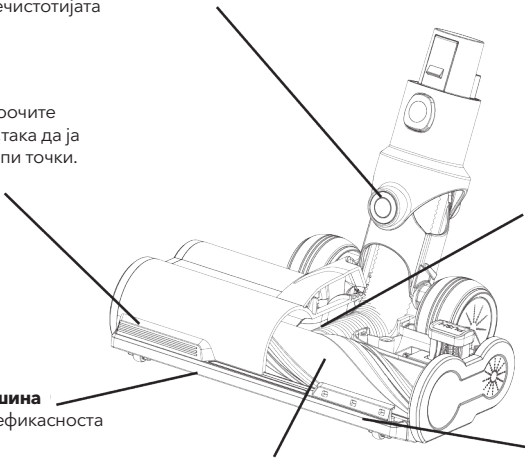
Подобрете ја ефикасноста на чистењето.

Најлонска четка

Двослојна фина најлонска четка, лесна за справување со нечистотијата помеѓу краткиот тепих од волна и спојот на подот.

Тампон лента за судир

Отпорна на абеење и еколошка, оваа лента го заштитува вашиот паркет



Сензор за прашина

Индикатор за блокирање на ротирачка четка

Индикатор за промена на моќноста

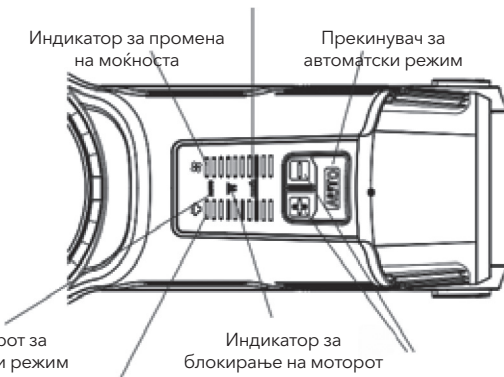
Прекинувач за автоматски режим

Индикаторот за автоматски режим

Индикатор за блокирање на моторот

Индикатор за сензор за прашина

Рачен прекинувач



ИНДИКАТОР ЗА ПРОМЕНА НА МОКНОСТ:

Ова е опција кога е вклучен „AUTO MODE“ за да се види промената на нивото на моќност.

ИНДИКАТОР ЗА ЗАКЛУЧУВАЊЕ НА РОТАРИЧНА ЧЕТКА:

Индикаторот покажува дека моторната четка во педалата е блокирана или не работи. Препорака да ја ослободите четката за нормална работа или да ја исчистите.

АВТОМАТСКИ ПРЕКУВАЧ НА РЕЖИМ:

Со овој прекинувач можете да го вклучите или исклучите „AUTO MODE“. Работа со правосмукалка во „Автоматски режим“ значи дека правосмукалната работи со една јачина на вшмукување и кога ќе повлече голема количина прашина и ќе помине преку сензорот, ја детектира таа прашина и ја зголемува моќта на вшмукување додека сензорот детектира дека таму нема повеќе прашина и се враќа на претходната јачина на моќта на вшмукување.

ИНДИКАТОР ЗА АВТОМАТСКИ РЕЖИМ:

Ова е индикатор дека режимот за чистење „AUTO MODE“ е вклучен/исклучен.

ИНДИКАТОР ЗА СЕНЗОР ЗА ПРАШИНА:

Кога индикаторот ќе вклучи повеќе од половина од светлата, неопходно е да се исчисти горниот HEPA филтер. Игнорирањето на LED индикаторот може да доведе до несакани ефекти: затнат Хепа филтер, слабеење на моќта на вшмукување, уништување на моторот.

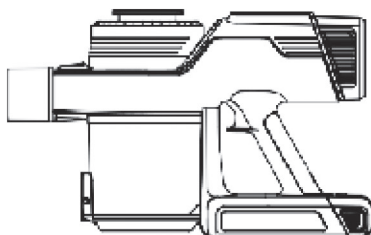
ИНДИКАТОР ЗА ЗАКЛУЧУВАЊЕ НА МОТОРОТ:

Ова е индикатор кога доводот на воздух е блокиран, протокот на воздух кон моторот е попречен или прекинат на патеката на четката за подот, цевката, садот за прашина, металниот филтер, TOP HEPA филтерот, HEPA филтерот за назад).

РАЧЕН СКЛУЧУВАЧ:

Овие прекинувачи (+, -) се користат за прилагодување на моќта на вшмукување, има пет нивоа на моќност.

СОДРЖИНА НА ПАКУВАЊЕТО



Тело



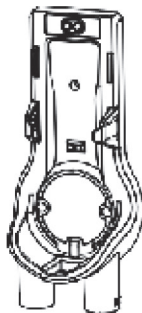
Електрична



2во1 бришење



Алатка за процеп



Палуба за полнење



Полнач



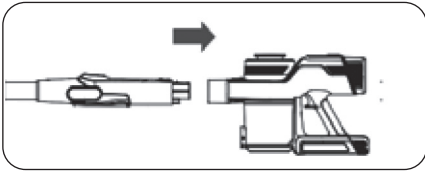
Долга алуминиумска цевка со флексибилно црево

Поради континуираното подобрување на производот, горната конфигурација ќе се разликува во зависност од моделот. Го задржуваме ова право. Правото на објаснување е во сопственост на компанијата.

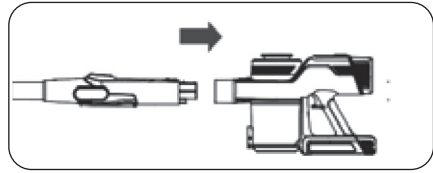
ИНСТРУКЦИИ ЗА УПОТРЕБА

Упатства за монтирање на алуминиумски цевки

- Турнете го крајот на алуминиумската цевка хоризонтално во дупката за вакуум на главната машина за да се осигурате дека е компактна и не олабавена, инсталацијата е успешна откако ќе се слушне звукот на спојување (пример 1).
- За да ја извадите алуминиумската цевка, држете го главното тело со едната рака и извлекете ја цевката со другата рака притискајќи го копчето. (пример 2)



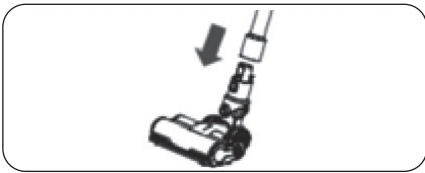
Слика 1



Слика 2

Инструкции за инсталација на електричната четка

- Вметнете го едниот крај од устата на тркалезната четка во крајот на цевката на излезот за воздух за да се осигурате дека е затегната и не е лабава; ако се слушне звукот, тој е успешно инсталиран (слика 3).
- Ако сакате да ја отстраните четката, четката се држи во едната рака, а копчето се притиска со другата рака истовремено, и четката ќе се извлече.. (Слика 4)
- Електричната четка може да го користи и методот на поврзување без алуминиумска цевка и директно да се инсталира на моторната единица.



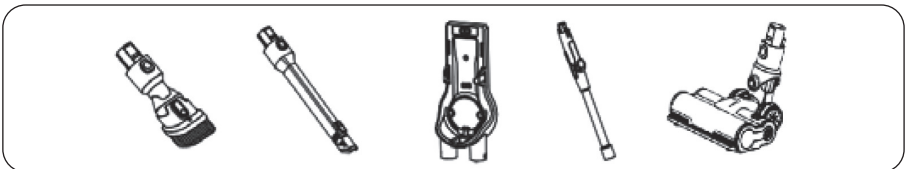
Слика 3



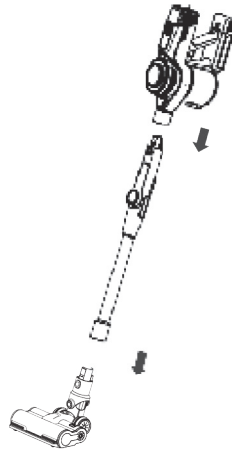
Слика 4

Додатоци

- Инструкции за користење на додатците
- Покрај користењето на алуминиумската цевка и електричната четка, можете да користите четка 2-во-1 и долгата млазница за да го прилагодите производот на сите ситуации (Пример. 5):
- 2 во 1 четка
Погоден е за чистење мали простории, празнини или неправилни површини на предмети, како што се ѕидни агли, легура на прозорски, ентериери на домашн интериер, фиоки,автомобилски интериер, рамки за слики, тавани, тастатури итн..
- Долга Млазница
Погоден е за чистење на недостапни агли, како што се агли, празнина итн.



Слика 5 (Додатоци)



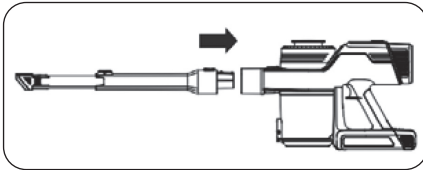
Слика (6, 7)

Додатоците може да се вметнуваат на 2 различни начини: директно на крајот на флексибилната цевка (Режим 1) или на крајот од моторниот блок (режим 2).

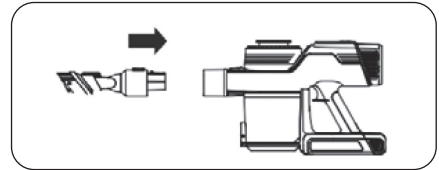
Режим 1: Земете го додатокот за долга млазница и вметнете го во крајот на алуминиумската цевка додека не слушнете клик што ја потврдува инсталацијата. За да го отстраните, повлечете директно на него. Земете го додатокот за четка 2-во-1 и направете ја истата манипулација: вметнете ја во крајот на алуминиумската цевка додека не слушнете клик што ја потврдува инсталацијата.

За да го отстраните, повлечете директно на него. (Слика 6 и 7)

Режим 2: За да ги вметнете додатоците директно во 5 блок на моторот, повторете ја операцијата (слика 8 и 9).



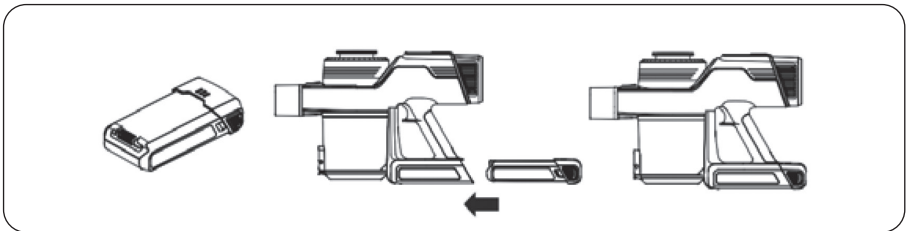
Слика 8



Слика 9

Инструкции за инсталација на батеријата

Инсталирајте ја батеријата во машината во правец на (сл.10) и инсталирајте ја како (сл.11) за да не се олабави. Ако се слушне звукот, тој е успешно инсталиран.



Слика 10

Слика 11

ВНИМАНИЕ:

а долготрајна употреба, чувајте ја батеријата на ладно и суво место и оставете ја во полуполнета состојба. Ве молиме завиткајте ја батеријата со непроводлив материјал за да избегнете директен контакт со батеријата што може да предизвика оштетување на батеријата.

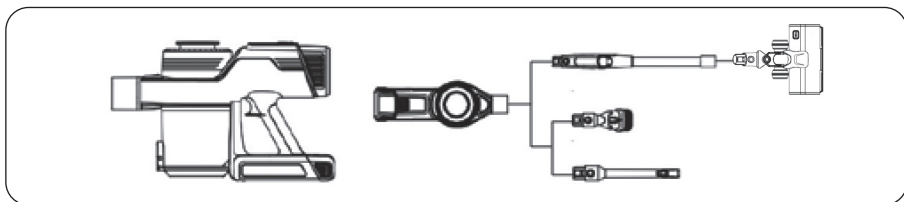
Употреба

1. Подготовка

Пред употреба, монтирајте ја батеријата и проверете дали батеријата е наполнета. Доколку не е, наполнете ја навреме (погледнете во „**полнење на производот**“), по полнењето може да се користи. Според чистотата на област, додатоците може да се изберат по потреба.. Правосмукалната е специјално опремена со разни додатоци. Според чистотата на областа, можете да изберете да користите чистата област. (видете „**Анекс оперативни упатства**“ за детали)

2. Почнување со работа

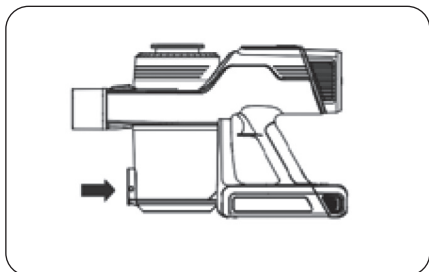
Притиснете го копчето за Уклучување на допир и машината ќе почне да работи ,ако треба да престанете да работите повторно притиснете го копчето за уклучување“. (Слика 12)



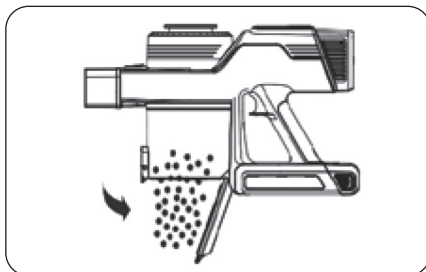
Слика 12

3. Празнење на садот за прашина

Откако ќе ја исклучите машината, притиснете го садот за прашина во правец на резерварот за прашина (слика 13) Отворете го капакот, истурете го правот и затворете го капакот на резервоарот за прав (Слика. 14)



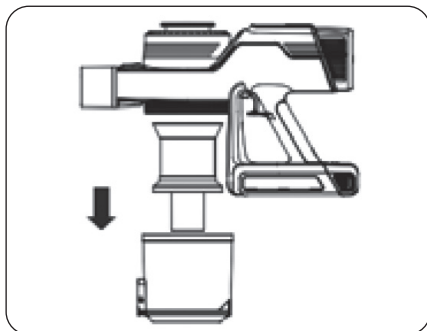
Слика 13



Слика 14

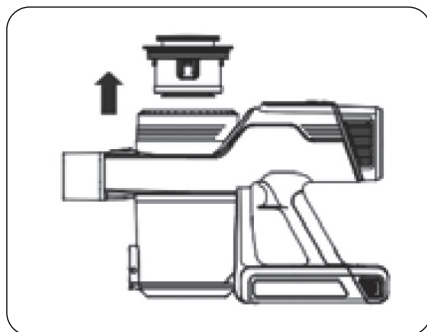
4. Расклопување на јадрото на филтерот

Завртете го и извадете го садот за прав, имате пристап до филтерот од не’рѓосувачки челик и свртете го за да го отстраните. Направете обратно за да ги склопите филтерот од не’рѓосувачки челик и садот за прав. (Сл. 15)



Слика 15

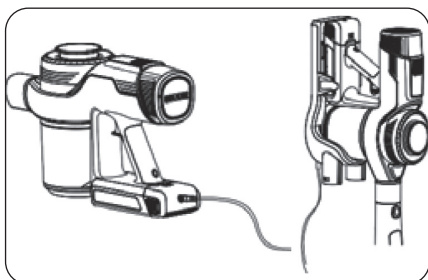
Отстранете го елементот на филтерот во насока означена со стрелката. (Слика. 16)



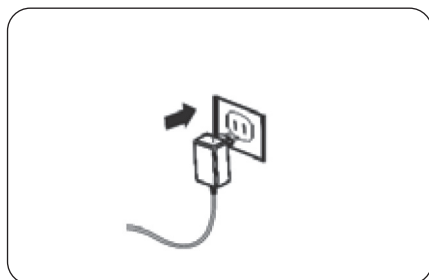
Слика 16

5. Полнење на производот

Поврзете го полначот директно со правосмукалната или станицата за полнење (слика 17), а другиот крај со сиден штекер во вашиот дом. (Слика 18)



Слика 17



Слика 18

За Индикаторот за Полнење!

Работа: светлото постојано свети.

Делумно наполнето: LED трепка.

Целосно наполнето: светлото постојано свети. .

ЗАБЕЛЕШКА

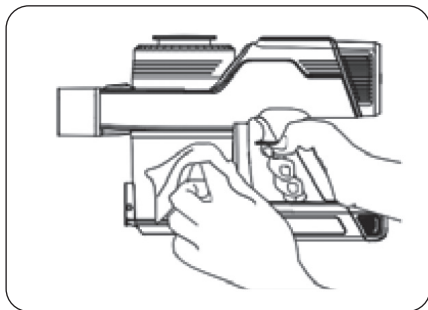
- Откако производот ќе ја напушти фабриката на секои 3 месеци (во случај на услови), ве молиме користете го нашиот специјален полнач за полнење на батеријата 3 часа (не треба целосно да се полни).
- Не полнете ја батеријата долго време, ако сè уште се полните надвор од нормалното време на полнење, веднаш прекинете, инаку може да има ризици како што се загревање на батеријата, деформација или горење.
- Кога батеријата не е во употреба долго време или кога е во длабоко празнење, може да се намали времетраењето во првите неколку пати. Се препорачува целосно празнење по полнењето (обично повеќе од 6 часа). Потребно е само да се повтори дејството двапати.

ЧИСТЕЊЕ И ОДРЖУВАЊЕ

За да не влијаете на перформансите на машината, се препорачува редовно да ги одржувате нејзините компоненти.

Пред да го исчистите главното тело (блокот на моторот) (делот за држење), проверете дали машината е исклучена и производот не се полни.

Исчистете со вода или неутрален детергент. Пред чистење, проверете дали крпата е сува. Не инфилтрирајте вода во внатрешните делови на правосмукалките (сл. 19) По чистењето, не ставајте ја под директна сончева светлина или на влажно место.



Слика 19

Чистење на садот за прашина

Штом количината на прашина ќе го достигне „МАКСИМУМОТ“, исчистете ја што е можно поскоро и не ја преполнувајте .

За полесно празнење на корпата за губре, се препорачува да ја извадите алуминиумската цевка или другите додатоци пред чистење.

Откако машината ќе запре, отворете го капакот на садот за прав и истурете го правот. Ако се најде тврдоглава нечистотија во внатрешниот сид на садото за прашина, внимателно избришете го со влажна крпа.

По чистењето, затворете го капакот на садот за прав и проверете дали е на место копчето за заклучување.

ЗАБЕЛЕШКА

Откако ќе го избришете внатрешниот сид на садот за прашина со влажна крпа, потребно е да го ставите под сонце и потоа да го покриете садот за прав откако темелно ќе се исуши.

Чистење на излезна филтер

Со цел да се обезбеди ефикасност на производот, се препорачува редовно да го чистите и да го менувате по 3-6 месеци. (во зависност од употребата), Притиснете и задржете го копчето за ослободување на садот за прав, извадете го телото и свртете го капакот, извадете го сунѓерчето и исчистете го сунѓерестиот филтер.) Ако прашина се акумулирала премногу, измијте ја темелно и исушете ја пред да ја ставите во главното тело.

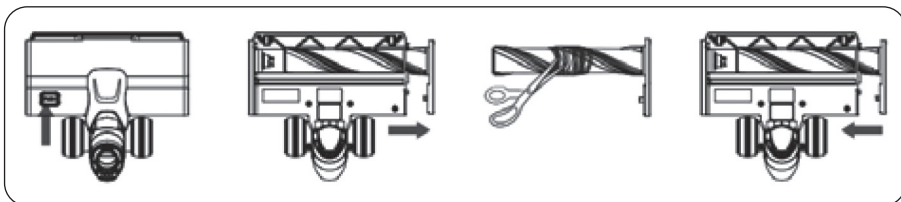
ИЗВЕСТУВАЊЕ

За време на миењето на сунѓерестиот филтер, користете ладна вода и исушете го темелно (обично на сончева светлина 24 часа, а потоа вратете го во телото.

Четка за Чистење

Се препорачува четката да се исчисти еднаш по 4-5 пати употребувања:

1. Исклучете ја струјата и отстранете ја електричната четка.
2. Превртете ја четката и свртете го копчето за заклучување на фиксираниот капак со паричка за да ја отворите бравата. (Слика 20)
3. Отстранете ја четката со валјак за да го прицврстите капакот, подигнете го едниот крај од четката со валјак и извлекете ја четката со валјак. (Слика 21)
4. Користете ножици или други остри инструменти за да ги отстраните заплетканите животински влакна и другиот отпад (Слика 22).
5. Кога ќе заврши чистењето, турнете го едниот крај од четката на тркалање во четката за подот, а потоа закачете го другиот крај во четката за подот.)
6. Покријте го капакот и заклучете го.



Слика 20

Слика 21

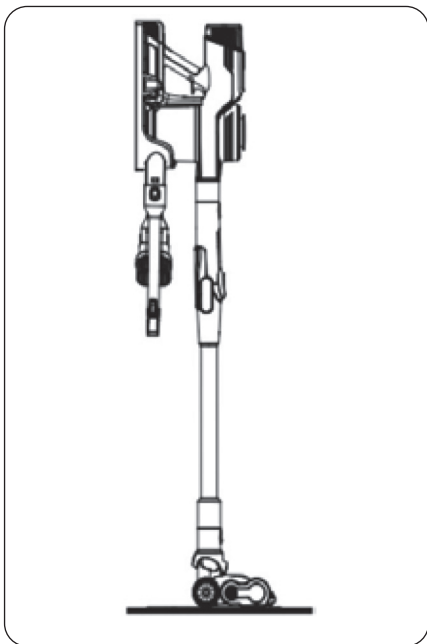
Слика 22

Слика 23

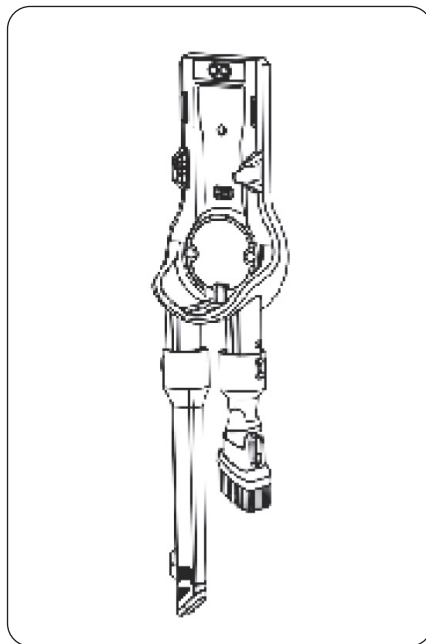
Сортирање и складирање

Складирање на сталагот за полнење: лесен за земање, заштедува простор. (Слика 24)

Складирање на додатците: лесно се земаат, лесно се собираат.



Слика 24



Слика 25

РЕШАВАЊЕ ПРОБЛЕМИ

Анализа и третман на вообичаени дефекти.

Проблем	Можна причина	Решение
Vacuum cleaner doesn't work.	Производот нема електрична енергија или недоволно напојување.	Ве молиме користете го откако производот ќе се наполни со струја.
	Отворот за вакуум е блокиран.	Исчистете го отворот за вакуум.
Се намалува вшмукувањето на производот.	Канистерот за прав и компонентите на филтерот се полни со прашина.	Исчистете го канистерот за прав и филтерот од материјали.
	Четката за тркалање е заплеткана со влакна итн.	Исчистете ја тркалачката четка.
	По исклучувањето на горенаведената ситуација, ситуацијата останува иста.	Ве молиме контактирајте ја нашата пост-продажна услуга за одржување.
Моторот работи со невообичаен звук.	Главната вшмукувачка цевка или алуминиумската цевка е блокирана.	Исчистете ги пречките во внатрешноста на главната вшмукувачка цевка, алуминиумска цевка.
	По исклучувањето на горенаведената ситуација, ситуацијата останува иста.	Ве молиме контактирајте ја нашата пост-продажна услуга за одржување.
Производот не може да се наполни повторно.	Главниот компјутер и интерфејсот на полначот не се добро поврзани.	Ве молиме проверете и поврзете го добро.
	Ако горенаведените чекори не можат да работат правилно со вашиот уред, ве молиме контактирајте го нашиот оддел за услуги по продажбата за помош..	Ве молиме контактирајте ја нашата пост-продажна услуга за одржување.

Ако горенаведените чекори не можат да работат правилно со вашиот уред, ве молиме контактирајте го нашиот оддел за услуги по продажбата за помош.

ТЕХНИЧКИ СПЕЦИФИКАЦИИ

	ТЕХНИЧКИ СПЕЦИФИКАЦИИ
Работен напон (V)	25.2 V
Номинална моќност (W)	400 W
Капацитет на батеријата (mAh)	2500 mAh
Капацитет на канистерот)	0.6 L
Времетраење на полнењето (h)	Помеѓу 3 до 5 Часа
Континуирано време на работа (min)	до 60 минути
Димензии на производот (mm)	369 x 125 x 227mm
Нето тежина (kg)	2.65 kg

ОДРЕЧУВАЊЕ НА ГАРАНЦИЈАТА

Гаранцијата не ги покрива истрошените делови на производот, ниту проблемите или оштетувањата кои се резултат на:

1. влошување на површината поради нормално абеење и кинење на производот;
2. дефекти или влошување поради контакт со течности и корозија предизвикана од 'рѓа или присуство на инсекти;
3. каков било инцидент, злоупотреба, злоупотреба, промена, расклопување или неовластена поправка
4. неправилно одржување, неправилна употреба во врска со производот или приклучување на неправилен напон;
5. секоја употреба на додатоци кои не се испорачани или не одобрени од производителот.

Гаранцијата ќе се откаже доколку се отстранат табличката со име и/или сервискиот број на производот.

Отстранување и одговорност за животната средина

За да бидете еколошки, ве охрабруваме правилно да го имате уредот. Можете да контактирате со вашите локални власти или центри за рециклирање за повеќе информации.

ОТСТРАНУВАЊЕ



Присуството на ова лого на производот значи дека отстранувањето на уредот е регулирано со Директивата 2012/19 / ЕУ од 4 јули 2012 година, која се однесува на отпадна електрична и електронска опрема (WEEE).

Секоја опасна супстанција содржана во електрична или електронска опрема може да има потенцијално влијание врз животната средина и здравјето при рециклирање. Следствено, на крајот на корисниот век на уредот, не смее да се фрла со несортиран комунален отпад.

Вашата улога како краен потрошувач е суштинска во смисла на повторна употреба, рециклирање и добивање на други видови на создавање вредност од овој производ. Имате избор на различни системи за собирање и размена организирани од локалните власти (центри за рециклирање) и дистрибутерите. Мора да ги искористите овие можности

НА КРАЈОТ ОД ЖИВОТ НА БАТЕРИЈАТА



Овој апарат содржи батерија која не може да се замени. Искористените батерии мора да бидат поддржани од селективен систем за собирање за да се рециклираат со што ќе се намали влијанието врз животната средина. Кога батеријата ќе го достигне крајот на својот животен век, мора да ја ставите во соодветен селективен систем за собирање кој ќе се справи со нејзиното уништување и/или рециклирање.

- Ако истече киселината од батеријата, избегнувајте контакт со кожата, очите и мукозните мембрани! Течноста што истекува од батеријата може да предизвика осип. Ако киселината сепак мораше да дојде во контакт со кожата, веднаш исплакнете ги погодените области со чиста вода и веднаш консултирајте се со лекар.
- Батериите мора да се инсталираат со точен поларитет +/-.
- Не полнете батерии кои не се полнат поради ризик од експлозија.

ВАЖНО

Во никој случај не треба да ги фрлате уредот или батеријата на јавен автопат.

Информации за надворешни напојувања за Регулативата на Комисијата 2019 /1782/EУ

	Вредност
Влезен напон	110V-120V / 220V-240V
Влезна АС фреквенција	50/60 Hz
Излезен напон	30 V
Излезна струја	0.5 А
Излезна моќност	15 W
Просечна активна ефикасност	>86.8 %
Ефикасност при мало оптоварување (10 %)	>72 %
Потрошувачка на енергија без оптоварување	<0.1 W

Apenas para uso doméstico.

Leia atentamente este manual de instruções antes de usar.

AVISOS IMPORTANTES

LEIA ATENTAMENTE AS INSTRUÇÕES DE SEGURANÇA ANTES DE USAR E GUARDE-AS PARA REFERÊNCIA FUTURA.



Safety instructions:

- **A bateria deve ser removida em segurança.**
- Não utilizar perto de escadas ou nas varandas. Isto A máquina não tem sensores de fuga.
- Esta unidade pode ser utilizada por crianças a partir dos 8 anos de idade. e pessoas com capacidades físicas, sensoriais ou mentais ou falta de experiência e conhecimento, desde que tenham sido colocados sob supervisão ou tenham recebido instruções para utilizar a máquina em segurança e que compreender os perigos. As crianças não devem brincar com o aparelho. A limpeza e manutenção por parte do utilizador não deve ser feita por crianças sem supervisão.
- Este dispositivo destina-se apenas a uso doméstico. Esta unidade é adequada para costas de feltro baixo a médio tapetes. Não é adequado para pavimentos irregulares ou mistos. tapetes.
- Remover a escova lateral na limpeza das alcatifas inferiores para proteger a escova lateral.
- Se o cabo de alimentação do adaptador for danificado, o adaptador devem ser descartados.
- Recarga / bateria / s apenas com o carregador fornecido pelo fabricante
- Utilizar o dispositivo com a bateria (S) especificamente criado (S) para este fim. A utilização de qualquer (S) outra (S) bateria (S) poderia causar uma explosão ou fogo
- Por favor, utilize um adaptador para utilizar apenas este produto.
- Não utilizar em pó molhado ou gorduroso.
- Antes de usar, guardar artigos frágeis (vidro, luz, etc.) e outros objectos que possam enredar os pincéis (longos cabelo, sacos de plástico, corda, arame, etc.).
- Não se sentar na máquina e não colocar coisas pesadas sobre ele.
- **ADVERTÊNCIA:** Certifique-se de que a unidade pode funcionar livremente em a sala (não está bloqueada por um obstáculo, não pode cair
- over) e que não existe nenhum obstáculo sobre o qual o dispositivo pode inclinar-se e criar um risco de perigo (tais como velas ou um vaso cheio de água).
- Limpar regularmente a máquina.
- Esvaziar o recipiente do pó.
- Carregar a máquina sem a utilizar durante três meses.
- Recarregue apenas na situação de alarme de baixa potência ou quando a energia é desligada. Utilizá-la depois de totalmente carregada.
- A bateria deve ser removida do aparelho antes da sua eliminação; o dispositivo deve ser desconectado da rede quando se retira a bateria;
- Não elimine as pilhas com o lixo doméstico.
- Eliminá-las de acordo com os regulamentos locais.
- Recarregar a bateria / o robô apenas com o adaptador desde que com o dispositivo.
- O cabo deste adaptador flexível externo não pode ser substituído; em caso de danos no cordão, é necessário para colocar o adaptador descartado e substituído por um adaptador do mesmo modelo.
- O aparelho deve ser desconectado do fornecimento de rede quando se retira a bateria.
- Este aparelho contém bateria que não pode ser substituída.
- **AVISO:** Para efeitos de recarregar a bateria, utilizar apenas a unidade de alimentação defaccionável fornecida com este aparelho.



Unidade destacável de alimentação

- **ADVERTÊNCIA:** Risco de aprisionamento. Mantenha-se solto roupa, cabelo, dedo, etc. longe do motorizado escovas e bicos.
- **AVISO:** a ficha deve ser removida do tomada antes de limpar ou manter a aparelho.

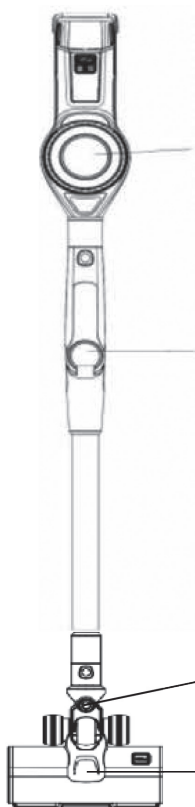
IMPORTANTE

É proibida a substituição do cabo de alimentação por você mesmo em caso de danos.

Se o dispositivo for largado, por favor peça a um pessoa para a verificar antes de a utilizar novamente. Interno os danos podem causar acidentes. Para qualquer tipo de problemas ou reparações, por favor contactar o serviço ao cliente do local distribuidor, fabricante ou uma pessoa qualificada para evitar o perigo.

DESCRIÇÃO DO DISPOSITIVO

Resumo do produto



Aspirador com tecnologia centrífuga com esponja filtrante de ar

Filtração dupla, limpeza de alta eficiência, para conseguir a melhor efeito de remoção de pó.

Tubo de alumínio de alta qualidade, leve e resistente à corrosão

Desenho em comprimento excessivo, fácil de lidar com lugares altos, fissuras e outros recantos difíceis.

Rotação flexível, operação conveniente.

Rotação livre, remoção eficaz da sujidade.

Escova eléctrica para chão

Para uma limpeza fácil de todos tipos de pavimentos, bem como tapetes de lã grossa para remover todos os tipos de sujidade.

Bloco do motor

Lâmpada indicadora

Trabalho do produto, indicação de electricidade.

Speed regulator

Controlar a velocidade como pedido dos utilizadores

Botão de troca

Pode começar/parar rapidamente o aspirador conforme necessário, poupando electricidade.

Punho macio

Textura de alta qualidade, resistência ao desgaste e rasgar.

Botão de bloqueio

Combinação flexível de vários acessórios, mais conveniente operação.

Barril de pó transparente

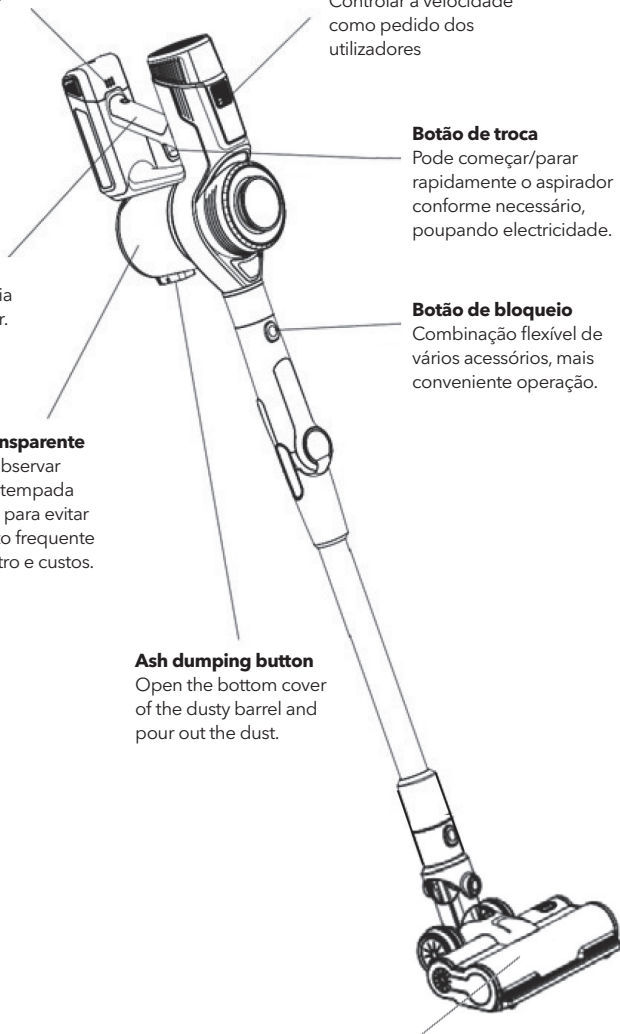
É conveniente observar o pó recolha e atempada processamento, para evitar o processamento frequente alterações de filtro e custos.

Ash dumping button

Open the bottom cover of the dusty barrel and pour out the dust.

Electric brush

For easy cleaning of all types of floors as well as thick woollen carpets to remove all types of dirt.



Escova eléctrica

Rotação flexível, operação conveniente.

Rotação livre, remoção eficaz da sujidade.

Lâmpada LED

É conveniente observar pó escuro, de modo a limpar o pó sem ângulos mortos.

Cavidade de escova rolante

Desenho otimizado de cavidade de escova, ajuda para melhorar o pó taxa de remoção.

Tira de pó

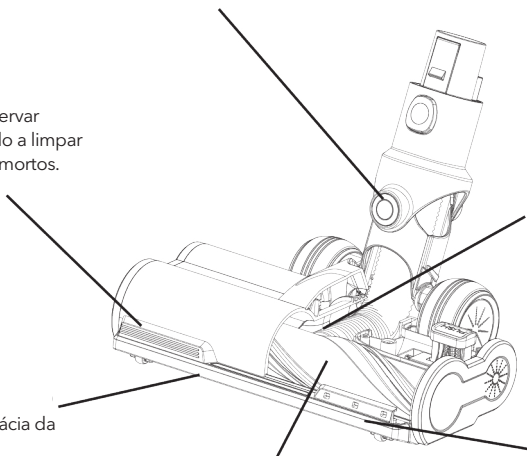
Melhorar a eficácia da limpeza.

Escova de nylon

Nylon fino de camada dupla pincel, fácil de lidar com sujidade entre a lâ curta tapete e costura do chão.

Faixa tampão de colisão

Resistente ao desgaste e amigo do ambiente, esta fita protege o seu



Sensor de pó

Bloqueio de escova rotativa
indicador

Indicador de mudança de energia

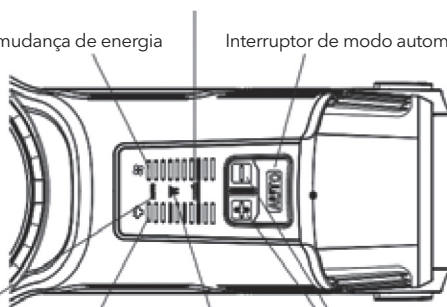
Interruptor de modo automático

Indicador de modo
automático

Indicador de bloqueio
do motor

Manual switch

Indicador de sensor
de pó



INDICADOR DE MUDANÇA DE POTÊNCIA:

Esta é uma opção quando o "MODO AUTO" está ativado para ver a alteração do nível de potência.

INDICADOR DE BLOQUEIO DA ESCOVA ROTATIVA:

Indicador indica que a escova do motor no pedal está bloqueada ou não está funcionando. Recomendação para liberar a escova para operação normal ou limpá-la.

INTERRUPTOR DE MODO AUTOMÁTICO:

Com esta chave você pode ligar ou desligar o "MODO AUTO". Funcionamento do aspirador em "Modo Auto" significa que o aspirador trabalha com uma força de sucção e quando aspira uma grande quantidade de pó e passa sobre o sensor, detecta esse pó e aumenta a potência de sucção enquanto o sensor detecta que há não é mais pó e volta à força anterior de poder de sucção.

INDICADOR DE MODO AUTOMÁTICO:

Este é um indicador de que o modo de limpeza "AUTO MODE" está ligado/desligado.

INDICADOR DO SENSOR DE PÓ:

Quando o indicador acende mais da metade das luzes, é necessário limpar o filtro HEPA superior. Ignorar o indicador led pode levar a efeitos colaterais: filtro Hepa entupido, enfraquecimento da potência de sucção, destruição do motor.

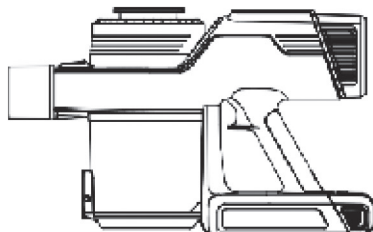
INDICADOR DE BLOQUEIO DO MOTOR:

Este é um indicador quando o suprimento de ar está bloqueado, o fluxo de ar para o motor está obstruído ou interrompido no caminho da escova de chão, tubo, recipiente de pó, filtro de metal, filtro TOP HEPA, filtro HEPA traseiro).

INTERRUPTOR MANUAL:

Esses interruptores (+, -) são usados para ajustar a potência de sucção, existem cinco níveis de potência.

CONTEÚDO DA EMBALAGEM



Corpo principal



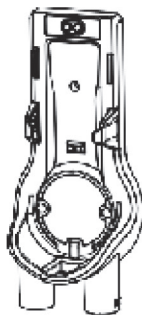
Escova eléctrica



Escova para o pó 2 em 1



Ferramenta de fendas



Tabuleiro de carregamento



Carregador



Tubo longo de alumínio com mangueira flexível

Devido à melhoria contínua do produto, a configuração acima variará de acordo com o modelo. Nós reservamos este direito. O direito de explicar é propriedade da empresa.

INSTRUÇÕES DE UTILIZAÇÃO

Instruções de instalação para tubos de alumínio

- Empurrar a extremidade do tubo de alumínio horizontalmente para o orifício de vácuo da máquina principal para garantir que é compacto e não solto, e que a instalação seja bem sucedida depois de se ouvir o som do clacking. (figura)
- Para remover o tubo de alumínio, segurar o corpo principal com uma mão e puxá-lo para fora com a outra mão pressionando o botão. (figura 2)

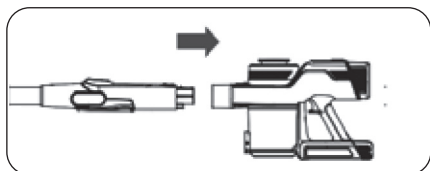


Figura 1

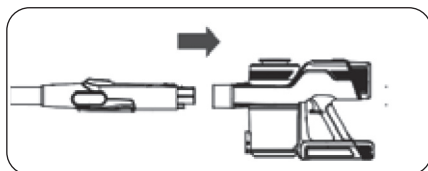


Figura 2

As instruções de instalação da escova eléctrica

- Empurrar uma extremidade da boca redonda da escova para dentro da extremidade do tubo de saída de ar para garantir que está apertada e não solta; se o som é ouvido, é instalado com sucesso (Figura 3).
- Se quiser remover o pincel, o pincel é segurado com uma mão, e o botão é premido pela outra mão simultaneamente, e o pincel será puxado para fora. (Figura 4)
- A escova eléctrica também pode utilizar o método de ligação de tubos de alumínio, e ser directamente instalada no hospedeiro.



Figura 3



Figura 4

Acessórios

Instruções de utilização dos acessórios

Para além de utilizar o tubo de alumínio e a escova eléctrica, pode utilizar uma escova 2-em-1 e o bocal longo para adaptar o produto a todas as situações (Fig. 5) :

- 2 em 1 pincel
É adequado para a limpeza de pequenos espaços, fendas ou superfícies irregulares de objectos, tais como cantos de paredes, fendas de armações de janelas em liga, interior de electrodomésticos, gaveta, almofada de carro, moldura de quadros, tecto, teclado, etc.
- O bocal longo
É adequado para cantos de limpeza inconvenientes, tais como esquina, fenda, etc.

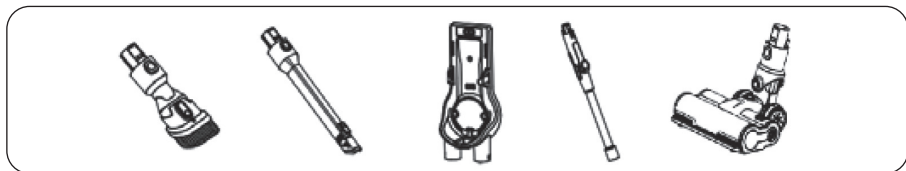


Figura 5 (Acessório)

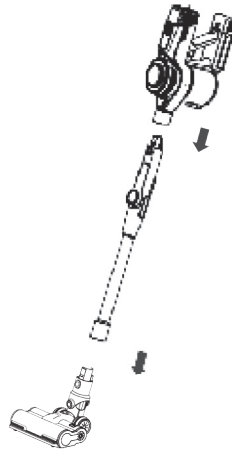


Figura (6, 7)

Os acessórios podem ser inseridos de 2 maneiras diferentes: directamente no fim do tubo flexível (Modo 1) ou no fim do tubo flexível (Modo 2). bloco motor (Modo 2).

Modo 1: Pegue no bocal longo, insira-o na extremidade do tubo de alumínio até ouvir um clique que confirma a instalação. Para a remover, puxar directamente sobre ela.

Pegue no acessório 2 em 1 e faça a mesma manipulação: introduza-o na extremidade do tubo de alumínio até ouvir um clique que confirma a instalação. Para a remover, puxar directamente sobre ela. (Figura 6 e 7) Modo 2: Para inserir os acessórios directamente no bloco do motor, repetir a operação (Figura 8 e 9).

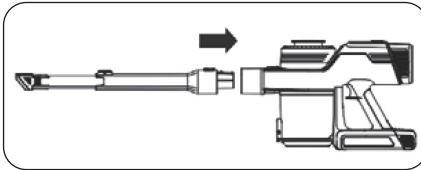


Figura 8

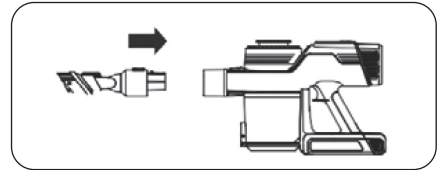


Figura 9

Instruções de instalação da bateria

Instale a bateria na máquina na direcção de (Fig.10) e instale-a como (Fig.11) para garantir que não se afrouxa. Se a som é ouvido, foi instalado com sucesso.

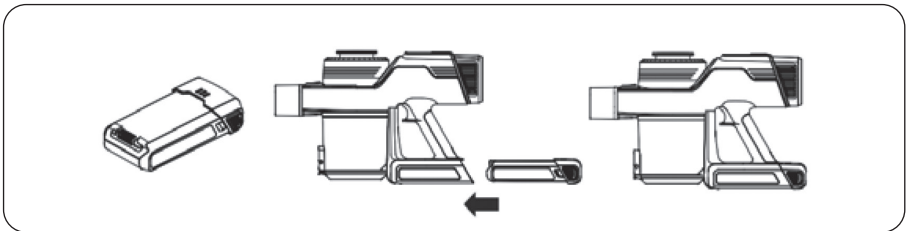


Figura 10

Figura 11

ATENÇÃO:

Para uma utilização a longo prazo, manter a bateria num local fresco e seco, e deixar a bateria num estado semi-carregado. Por favor, embrulhe a bateria com material não condutor para evitar o contacto directo com a bateria que pode causar danos no bateria.

Utilização

1. Preparação

Antes de utilizar, instalar a bateria e verificar se a bateria está carregada. Caso contrário, carregue-a a tempo (consultar "taxa de produto"), pode ser utilizado após recarga. De acordo com a área limpa, os acessórios podem ser escolhidos como procura. A empresa tem sido especialmente equipada com vários acessórios. De acordo com a área limpa, pode optar por utilizar de acordo com a área limpa. (ver "Anexo Operação instruções" para detalhes)

2. Início dos trabalhos Pressione o botão "switch", toque no botão, a máquina começará a funcionar, se precisar de parar de trabalhar, solte o "botão de troca". (Figura 12)

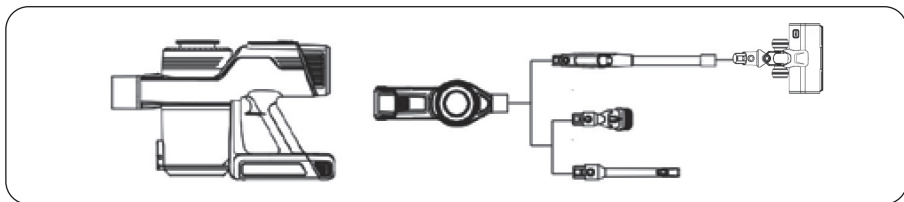


Figura 12

3. Cinzas de dumping de produtos

Depois de parar a máquina, bater na bandeja do pó na lateral do barril de pó (Fig. 13) Abrir a caverna, despejar o pó, e fechar a tampa do barril de pó. (Fig. 14)

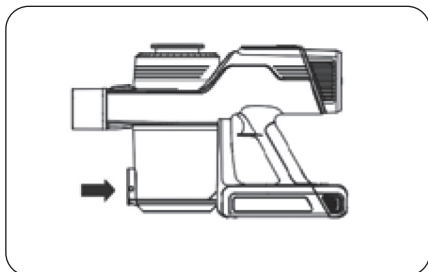


Figura 13

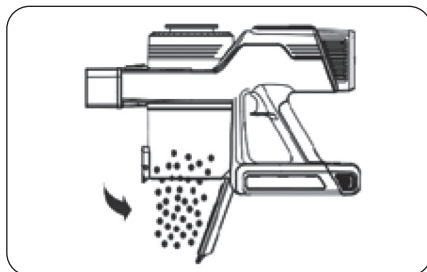


Figura 14

4. Desmontar o núcleo do filtro

Rode e retire o tabuleiro do pó, tem acesso ao filtro de aço inoxidável, rode-o para o remover. Faça o inverso para substituir o filtro de aço inoxidável e o filtro de pó. (Fig. 15)

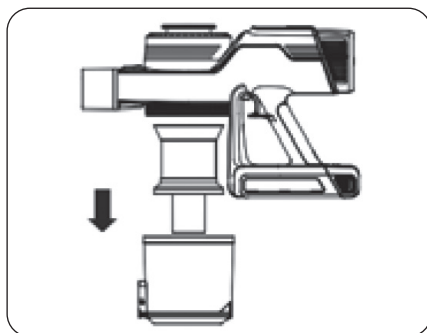


Figura 15

Remover o elemento filtrante na direcção indicada pela seta. (Fig. 16)

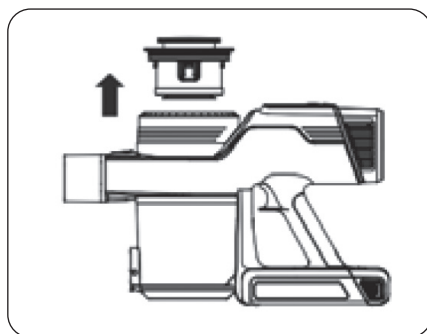


Figura 16

5. Cobrança do produto

Ligar o carregador directamente ao aspirador ou estação de carga (Figura 17) e a outra extremidade a uma parede tomada na sua casa. (Figura 18)

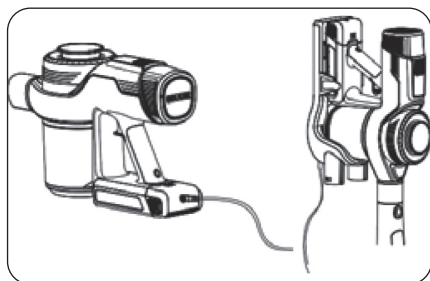


Figura 17

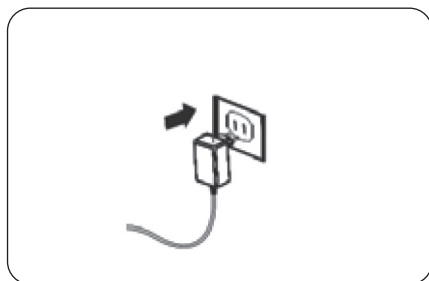


Figura 18

Sobre o indicador de carga

Em funcionamento: a luz é iluminada continuamente.

Parcialmente carregada: Luzes LED piscam.

Totalmente carregada: a luz é iluminada continuamente.

NOTA

- Depois de o produto sair da fábrica a cada 3 meses (no caso de condições), por favor use o nosso carregador especial para carregar a bateria durante 3 horas (não é necessário estar completamente carregada).
- Não carregue a bateria durante muito tempo, se ainda estiver a carregar para além do tempo normal de carga, por favor pare imediatamente, caso contrário pode haver riscos como o aquecimento da bateria, deformação ou queima.
- Quando a bateria não estiver em serviço durante muito tempo ou quando estiver em descarga profunda, pode diminuir nas primeiras vezes. Recomenda-se a descarga total após o carregamento (geralmente mais de 6 horas). Só é necessário repetir o acção duas vezes.

LIMPEZA E MANUTENÇÃO

A fim de não afectar o desempenho da máquina, recomenda-se que os seus componentes sejam mantidos num de forma regular. Antes de limpar a carroçaria principal (o bloco do motor) (a secção de espera), certificar-se de que a máquina pára de funcionar e o produto não está a ser recarregado.

Esfregue com água ou detergente neutro. Antes de esfregar, certifique-se de que o pano está seco. Não infiltrar água no interior partes de aspiradores (Fig. 19) Após a limpeza, não o colocar sob a luz directa do sol ou em local húmido.

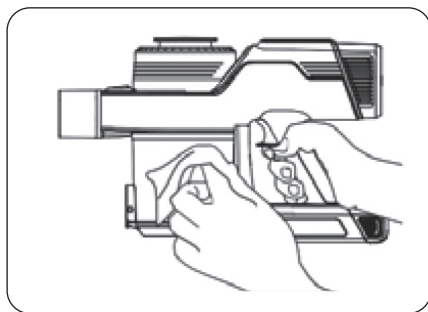


Figura 19

Limpeza do barril de pó

Quando a quantidade de poeira atingir o valor "MAX", por favor limpá-la o mais rapidamente possível e não a encher em demasia. A fim de facilitar o esvaziamento do caixote do lixo, recomenda-se que se retire o tubo de alumínio ou outro acessórios antes da limpeza. Após a máquina estar parada, abrir a tampa do barril de pó e despejar o pó. Se for encontrada alguma sujidade teimosa no interior da parede do barril de pó, por favor limpe-o cuidadosamente com um pano molhado. Após a limpeza, fechar a tampa do barril de pó e certificar-se de que o botão de fecho está no lugar.

NOTA Depois de limpar a parede interior do barril de pó com pano húmido, é necessário colocá-lo debaixo do sol, e depois cobrir o barril de pó após uma secagem completa.

Limpeza do filtro de saída

A fim de garantir o desempenho do produto, recomenda-se que o limpe regularmente e o substitua após 3-6 meses. (dependendo da utilização), premir e manter premido o botão de libertação do barril de pó, retirar o corpo e rodar o cobrir, retirar a esponja, e limpar o pó do filtro da esponja. (ver fig. 16)
Se o pó se acumular demasiado, lave-o cuidadosamente e seque-o antes de o carregar no corpo principal.

AVISO! Durante a lavagem do filtro de esponja, utilizar água fria e secá-lo bem (geralmente à luz solar durante 24 horas, e depois voltar a colocá-lo no corpo).

Escova de limpeza

It is recommended that the brush be cleaned once after 4-5 times of operation with electric brush:

1. Desligar a corrente e retirar a escova eléctrica.
2. Virar a escova e rodar o botão da fechadura na tampa fixa com uma moeda para abrir a fechadura. (Figura 20)
3. Retirar a escova de rolo para fixar a placa de cobertura, levantar uma extremidade da escova de rolo e puxar para fora a escova de rolo. (Figura 21)
4. Usar uma tesoura ou outro instrumento afiado para remover pêlos de animais emaranhados e outros resíduos (Figura 22).
5. Quando a limpeza estiver completa, empurrar uma extremidade da escova rolante para dentro da escova de chão e depois cortar a outra extremidade para dentro da escova do chão. (Figura 23)
6. Cobrir a tampa e fechá-la.

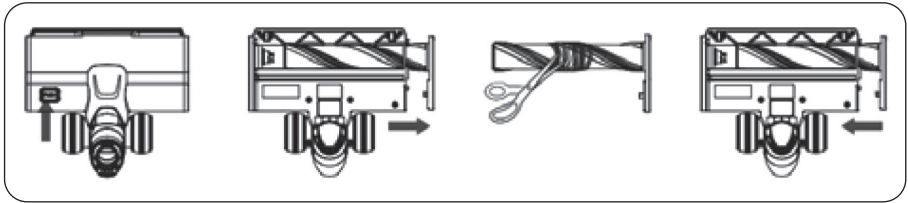


Figura 20

Figura 21

Figura 22

Figura 23

Triagem e armazenamento

Armazenamento do convés de carga: fácil de levar, poupando espaço. (Figura 24)

Armazenamento de acessórios: fácil de levar, fácil de recolher. (Figura 25)

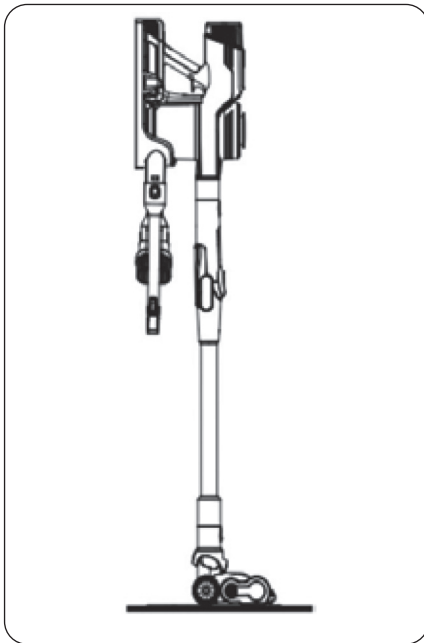


Figura 24

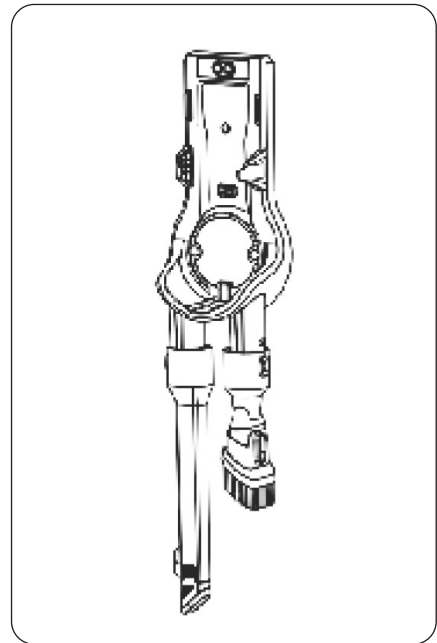


Figura 25

RESOLUÇÃO DE PROBLEMAS

Análise e tratamento de falhas comuns.

Problema	Possible cause	Solution
O aspirador de pó não trabalha.	O produto não tem electricidade ou é insuficiente poder.	Por favor, utilize-o depois de o produto estar cheio de electricidade.
	A abertura de vácuo foi bloqueada.	Limpar a abertura dos aspiradores.
	O barril de pó, componentes do filtro estão cheios de pó.	Limpar o barril de pó e o filtro materiais.
	A escova rolante está enredada com cabelo, etc.	Limpar a escova de enrolar.
	Depois de excluir a situação acima referida, a situação permanece a mesma.	Por favor contacte o nosso serviço pós-venda para manutenção.
O motor funciona com som anormal.	O tubo de sucção principal ou tubo de alumínio é bloqueado.	Limpar os obstáculos no interior do principal tubo de sucção, tubo de alumínio.
	Depois de excluir a situação acima referida, a situação permanece a mesma.	Por favor contacte o nosso serviço pós-venda para manutenção.
O produto não pode ser recarregado.	A interface principal do computador e do carregador é não está bem ligado.	Por favor, verifique e ligue-o bem.
	Depois de excluir a situação acima referida, a situação permanece a mesma.	Por favor contacte o nosso serviço pós-venda para manutenção.

Se os passos acima não conseguirem funcionar correctamente com o seu dispositivo, por favor contacte o nosso departamento de serviço pós-venda para obter ajuda.

ESPECIFICAÇÕES TÉCNICAS

	Parâmetro técnico
Tensão de trabalho (V)	25.2 V
Potência nominal (W)	400 W
Capacidade da bateria (mAh)	2500 mAh
Capacidade do barril de pó (L)	0.6 L
Uma vez cobrado o tempo (h)	Entre 3 a 5 horas
Tempo de funcionamento contínuo (min)	Até 60 min.
Dimensão do produto (mm)	369 x 125 x 227 mm
Peso líquido (kg)	2.65 kg

ISENÇÃO DE GARANTIA

A garantia não cobre as peças de desgaste do produto, nem os problemas ou danos resultantes do mesmo:

1. deterioração da superfície devido ao desgaste normal do produto;
2. defeitos ou deterioração devido ao contacto com líquidos e corrosão causada pela ferrugem ou pela presença de insectos;
3. qualquer incidente, abuso, utilização indevida, alteração, desmontagem ou reparação não autorizada
4. manutenção inadequada, utilização incorrecta do produto ou ligação a uma tensão incorrecta;
5. qualquer utilização de acessórios não fornecidos ou não aprovados pelo fabricante. A garantia será cancelada se a placa de identificação e/ou o número de série do produto forem removidos.

Eliminação e responsabilidade ambiental

A fim de ser amigo do ambiente, encorajamo-lo a ter o seu aparelho correctamente. Pode contactar o seu local autoridades ou centros de reciclagem para mais informações.

DISPOSIÇÃO



A presença deste logótipo no produto significa que a eliminação do dispositivo é regida pela Directiva 2012/19 / UE, de 4 de Julho de 2012, relativa aos resíduos de equipamentos eléctricos e electrónicos (REEE). Qualquer substância perigosa contida em equipamento eléctrico ou electrónico pode ter um impacto potencial sobre o ambiente e a saúde durante a reciclagem. Consequentemente, no final da vida útil do dispositivo, este deve não ser eliminados com resíduos municipais não triados.

O seu papel como consumidor final é essencial em termos de reutilização, reciclagem e obtenção de outros tipos de criação de valor a partir de este produto. Tem a escolha de diferentes sistemas de recolha e troca organizados pelas autoridades locais (reciclagem centros) e distribuidores. É seu dever utilizar estas possibilidades.

NO FIM DA DURAÇÃO DA BATERIA



Este aparelho contém uma bateria que não é substituível.

As baterias usadas devem ser suportadas por um sistema de recolha selectiva, a fim de serem recicladas, reduzindo assim o impacto sobre o ambiente.

Quando a bateria atinge o seu fim de vida útil, deve ser colocada num local apropriado sistema de recolha selectiva que irá tratar da sua destruição e/ou reciclagem.

- Se o ácido da bateria tiver fugas, evite o contacto com a pele, olhos e membranas mucosas! O líquido que vaza do a bateria pode causar erupções cutâneas. Se o ácido ainda tiver de entrar em contacto com a pele, lave imediatamente as áreas afectadas com água limpa e consultar um médico de imediato.
- As baterias devem ser instaladas com a polaridade correcta +/-.
- Não recarregar baterias não recarregáveis devido ao risco de explosão.

IMPORTANTE

Em nenhuma circunstância deve deitar fora o dispositivo ou a bateria na via pública.

Informação para fontes de alimentação externas para o Regulamento 2019 /1782/UE da Comissão

	Valor
Tensão de entrada	100-240 V
Frequência de entrada AC	50/60 Hz
Tensão de saída	30 V
Corrente de saída	0.5 A
Potência de saída	15 W
Eficiência média activa	>86.8 %
Eficiência a baixa carga (10 %)	>72 %
Consumo de energia sem carga	<0.1 W

Doar pentru uz casnic
Citiți acest manual de utilizare înainte de utilizare.

ATENȚIE

CITIȚI INSTRUCȚIUNILE DE SIGURANȚĂ CU ATENȚIE ÎNAINTE DE UTILIZARE ȘI PĂTRAȚI-LE PENTRU CONSULTARE ULTERIOARĂ.



Instrucțiuni de siguranță:

- **Bateria trebuie scoasă în siguranță.**
- Nu utilizați lângă scări sau pe balcoane. Această mașină nu are senzori de evitare.
- Această unitate poate fi utilizată de copii de la 8 ani și de persoane cu abilități fizice, senzoriale sau mentale sau cu lipsă de experiență și cunoștințe, cu condiția să fi fost plasați sub supraveghere sau să fi primit instrucțiuni pentru utilizarea în siguranță a mașinii și să înțeleagă pericolele. Copiii nu trebuie să se joace cu aparatul. Curățarea și întreținerea de către utilizator nu trebuie efectuate de copii fără supraveghere.
- Acest dispozitiv este destinat numai uzului casnic. Această unitate este potrivită pentru covoare cu fir scurt și mediu. Nu este potrivit pentru podele neuniforme sau covoare mixte.
- Scoateți peria laterală în timpul curățării sub covor pentru a proteja peria laterală.
- Dacă cablul de alimentare al adaptorului este deteriorat, adaptorul trebuie aruncat.
- Reîncărcați/bateria/i numai cu încărcătorul furnizat de producător.
- Utilizați dispozitivul cu bateria (S) creată special (S) în acest scop. Utilizarea oricărei baterii (S) Alte (S) (S) poate provoca o explozie sau un incendiu
- Vă rugăm să utilizați un adaptor pentru a utiliza numai acest produs.
- A nu se utiliza pe praf umed sau gras.
- Înainte de utilizare, îndepărtați obiectele fragile (sticlă etc.) și alte obiecte care ar putea încurca periile (păr lung, pungă de plastic, frânghie, sârmă etc.).
- Nu vă așezați pe mașină și nu puneți lucruri grele pe ea.
- **AVERTISMENT:** Asigurați-vă că unitatea poate funcționa liber în încăpere (nu este blocată de un obstacol, nu poate cădea) și că nu există niciun obstacol pe care dispozitivul să îl răstoarne și să creeze risc de pericol (cum ar fi lumânările aprinse sau o vază plină cu apă).
- Curățați aparatul în mod regulat.
- Goliți recipientul de praf.
- Încărcați mașina fără a o folosi timp de trei luni. Reîncărcați numai în situația unei alarme de putere redusă sau când alimentarea este oprită. Utilizați după încărcarea completă.
- Bateria trebuie scoasă din aparat înainte de a fi aruncată; dispozitivul trebuie deconectat de la rețea la scoaterea bateriei;
- Nu aruncați bateriile împreună cu deșeurile menajere. Eliminați-le în conformitate cu reglementările locale.
- Reîncărcați bateria/robotul numai cu adaptorul furnizat împreună cu dispozitivul.
- Cablul flexibilului extern al acestui adaptor nu poate fi înlocuit; în caz de deteriorare a cablului, este necesar să aruncați adaptorul și să îl înlocuiți cu un adaptor de același model.
- La scoaterea bateriei, aparatul trebuie deconectat de la sursa de alimentare.
- Acest dispozitiv conține o baterie care poate fi înlocuită.
- **AVERTISMENT:** În scopul reîncărcării bateriei, utilizați numai unitatea de alimentare definită furnizată cu acest aparat.



Unitate cu sursă detașabilă

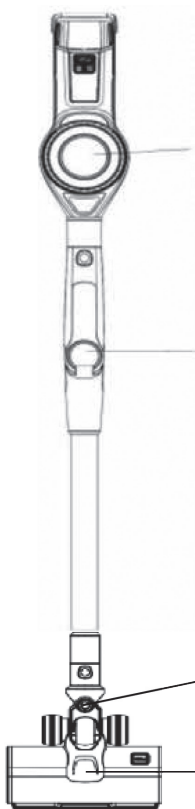
- **AVERTISMENT:** Pericol de prindere. Țineți hainele largi, părul, degetele etc. departe de periile și duzele motorizate.
- **AVERTISMENT:** ștecherul trebuie scos din priză înainte de curățarea sau întreținerea aparatului.

IMPORTANT

Este interzis să înlocuiți singur cablul de alimentare dacă este deteriorat. Dacă dispozitivul este scăpat, vă rugăm să cereți unei persoane calificate să-l verifice înainte de a-l folosi din nou. Daunele interne pot provoca accidente. Pentru orice fel de probleme sau reparații, vă rugăm să contactați serviciul pentru clienți al distribuitorului local, producătorului sau o persoană calificată pentru a evita pericolul.

DESCRIEREA PRODUSULUI

Prezentare generală



Un aspirator cu tehnologie centrifugă cu un burete care filtra aerul Dublă filtrare și curățare de înaltă eficiență, pentru a obține cel mai bun efect de îndepărtare a prafului.

Tijă din aluminiu de înaltă calitate, design ușor rezistent la coroziune Overlength, ușor de folosit pentru locuri înalte, fisuri și alte colțuri dificile

Rotire flexibilă, manevrare ușoară.

Rotire liberă și îndepărtare eficientă a murdăriei.

Perie electrică pentru podea

Pentru curățarea ușoară a tuturor tipurilor de podele, precum și a covoarelor groase de lână pentru a îndepărta toate tipurile de murdărie.

Bloc motor

Led avertizare

produsul funcționează, alimentat cu energie.

Regulator viteză

controlează viteza conform nevoilor

Comutator

Pornește/Oprește rapid aspiratorul pentru a economisi energie.

Mâner moale

Textură de calitate înaltă și rezistență la uzură.

Buton blocare

Combinăție flexibilă de diverse accesorii pentru o utilizare eficientă

Recipient praf transparent

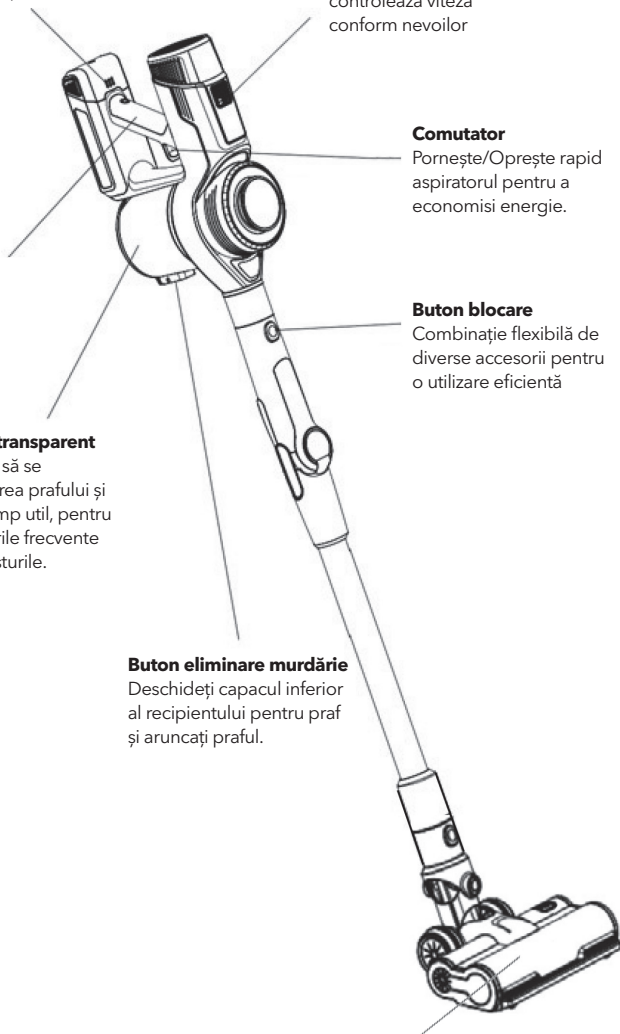
Este convenabil să se observe colectarea prafului și procesarea în timp util, pentru a evita schimbările frecvente ale filtrului și costurile.

Buton eliminare murdărie

Deschideți capacul inferior al recipientului pentru praf și aruncați praful.

Perie electrică

Pentru curățarea ușoară a tuturor tipurilor de podele, precum și a covoarelor groase de lână pentru a îndepărta toate tipurile de murdărie.



Perie electrică

Rotire flexibilă, operare convenabilă.

Rotire liberă și îndepărtare eficientă a murdăriei.

LED

Este convenabil să observați praful, astfel încât să curățați fără pete.

Cavitatea periei de rulare

Design optimizat a cavității periei, ajută pentru a îmbunătăți rata de îndepărtare a prafului.

Bandă de praf

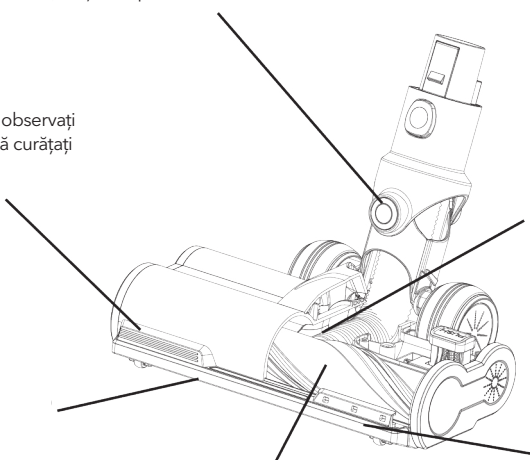
Îmbunătățește eficiența curățeniei.

Perie nailon

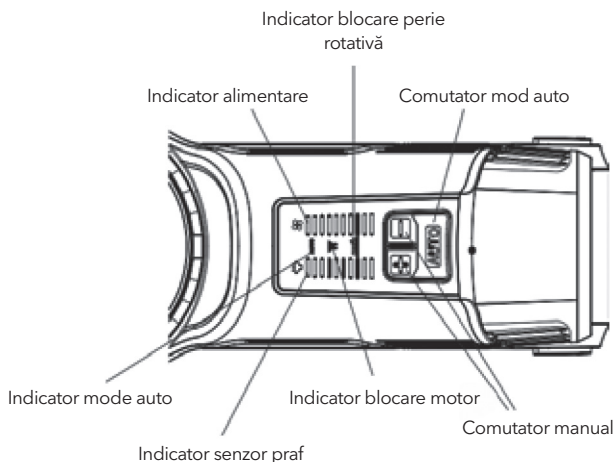
Perie dublă din nailon fin, ușor de folosit pentru murdăria dintre covorul scurt de lână și cusătura podelei.

Banda tampon anti-coliziune

Rezistentă la uzură și ecologică, această bandă protejează podeaua



Senzor praf



INDICATOR DE SCHIMBAREA PUTERII:

Aceasta este o opțiune când „MOD AUTO” este activat pentru a vedea schimbarea nivelului de putere.

INDICATOR DE BLOCARE PERIE ROTATIVA:

Indicatorul indică faptul că peria motorului din pedală este blocată sau nu funcționează. Recomandare de a elibera peria pentru funcționare normală sau de a o curăța.

COMUTATOR AUTOMAT DE MOD:

Cu acest comutator puteți activa sau dezactiva „MOD AUTO”. Funcționarea aspiratorului în „Modul automat” înseamnă că aspiratorul funcționează la o putere de aspirație și atunci când atrage o cantitate mare de praf și trece peste senzor, detectează acel praf și crește puterea de aspirație în timp ce senzorul detectează că există nu mai este praf și revine la puterea anterioară a puterii de aspirație.

INDICATOR MOD AUTO:

Acesta este un indicator că modul de curățare „AUTO MODE” este activat/dezactivat.

INDICATOR SENSOR DE PRAF:

Când indicatorul aprinde mai mult de jumătate din lumini, este necesară curățarea filtrului HEPA superior. Ignorarea indicatorului led poate duce la efecte secundare: înfundarea filtrului Hepa, slăbirea puterii de aspirație, distrugerea motorului.

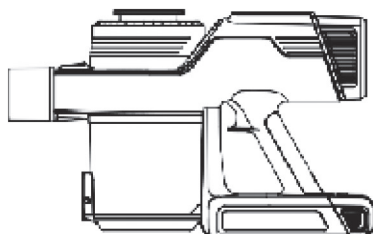
INDICATOR DE BLOCARE MOTOR:

Acesta este un indicator când alimentarea cu aer este blocată, fluxul de aer către motor este obstrucționat sau întrerupt pe traseul periei de podea, conductă, recipient de praf, filtru metalic, filtru TOP HEPA, filtru HEPA din spate).

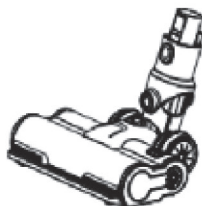
COMUTATOR MANUAL:

Aceste comutatoare (+ , -) sunt folosite pentru a regla puterea de aspirare, există cinci niveluri de putere.

CONȚINUT PACHET



Aparat



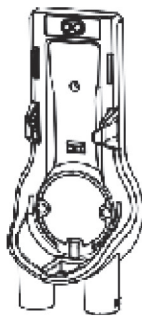
Perie electrică



Perie 2in1



Spații



Punte încărcare



Încărcător



Tijă aluminiu cu furtun flexibil

Datorită îmbunătățirii continue a produsului, configurația de mai sus va varia în funcție de model. Ne rezervăm acest drept. Dreptul de a explica este deținut de companie.

INSTRUCȚIUNI DE UTILIZARE

Instrucțiuni de instalare pentru tuburile de aluminiu

- Împingeți capătul tubului de aluminiu orizontal în orificiul de vid al aparatului pentru a vă asigura că este compact și nu este slăbit și că instalarea are succes după ce se aude zgomotul. (figura 1)
- Pentru a scoate tubul de aluminiu, țineți corpul principal cu o mână și trageți-l afară cu cealaltă mână apăsând butonul. (figura 2)

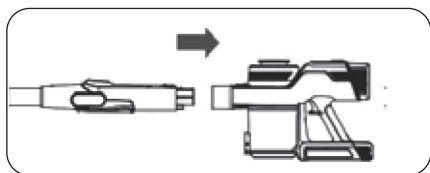


Figura 1

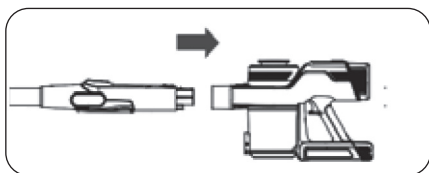


Figura 2

Instrucțiuni de instalare a periei electrice

- Împingeți un capăt al gurii periei rotunde în capătul tubului al orificiului de evacuare a aerului pentru a vă asigura că este strâns și nu slăbit; dacă se aude sunetul, acesta este instalat cu succes (Figura 3).
- Dacă doriți să îndepărtați peria, peria este ținută într-o mână, iar butonul este apăsat de cealaltă mână simultan, iar peria va fi scoasă. (Figura 4)
- Peria electrică poate utiliza, de asemenea, metoda de conectare a tubului de aluminiu și poate fi instalată direct pe gazdă.



Figura 3



Figura 4

Accesorii

Instrucțiuni de utilizare a accesoriilor

Pe lângă utilizarea tubului de aluminiu și a periei electrice, puteți folosi o perie 2în1 și duza lungă pentru a adapta produsul la toate situațiile (Fig. 5):

- Peria 2în1 este potrivită pentru curățarea încăperii mici, a golurilor sau a suprafețelor obiectelor neregulate, cum ar fi colțurile de perete, golurile din rama ferestrelor din aliaj, interioarele electrocasnicelor, sertarele, pernele de mașină, ramele de fotografii, tavanele, tastaturile etc.
- Duza lungă este potrivită pentru curățarea locurilor incomode, cum ar fi colțurile, golurile etc.

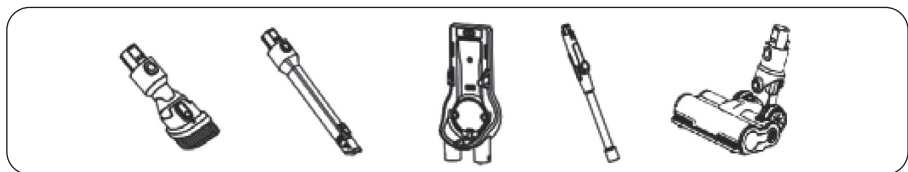


Figura 5 (Accesorii)

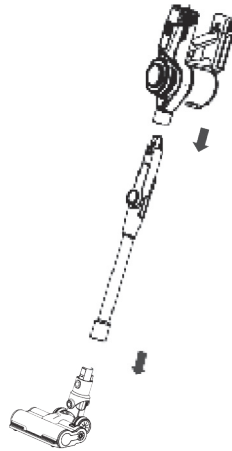


Figura (6, 7)

Accesoriiile pot fi introduse în 2 moduri diferite: direct la capătul tubului flexibil (Modul 1) sau la capătul blocului motor (Modul 2).

Modul 1: Luați accesoriul lung pentru duză și introduceți-l în capătul tubului de aluminiu până când auziți un clic care confirmă instalarea. Pentru a-l scoate, trageți direct de el.

Luați peria 2 în 1 și faceți repetați procedura: introduceți în capătul tubului de aluminiu până auziți un clic care confirmă instalarea.

Pentru a o scoate, trageți direct de ea. (Figura 6 și 7)

Modul 2: Pentru a introduce accesoriile direct în blocul motor, repetați operația (Figura 8 și 9).

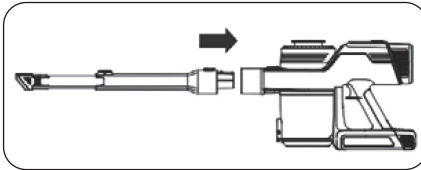


Figura 8

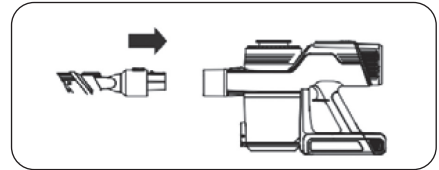


Figura 9

Instrucțiuni de instalare a bateriei

Instalați bateria în aparat în direcția (Fig.10) și instalați-o ca (Fig.11) pentru a nu se slăbi. Dacă se aude sunetul, acesta a fost instalat cu succes.

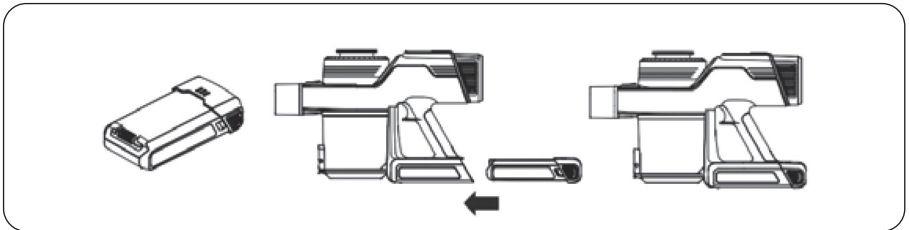


Figura 10

Figura 11

ATENȚIE:

Pentru utilizare pe termen lung, păstrați bateria într-un loc răcoros și uscat și lăsați bateria într-o stare semiîncărcată. Vă rugăm să înveliți bateria cu un material neconductor pentru a evita contactul direct cu bateria, care poate provoca deteriorarea bateriei.

Utilizare

1. Pregătire

Înainte de utilizare, vă rugăm să instalați bateria și să verificați dacă bateria este încărcată. Dacă nu, vă rugăm să o încărcați la timp (consultați „încărcarea produsului”), poate fi folosit după reîncărcare.

În funcție de zonă, accesoriile pot fi alese după nevoi. Aparatul a fost special echipat cu diverse accesorii.

În funcție de zonă, puteți alege să utilizați accesoriile. (a se vedea „Anexa Instrucțiuni de operare” pentru detalii)

2. Începerea lucrului

Apăsați „butonul comutator” și butonul tactil, iar aparatul va începe să funcționeze, dacă trebuie să opriți lucrul, eliberați „butonul comutator”. (Figura 12)

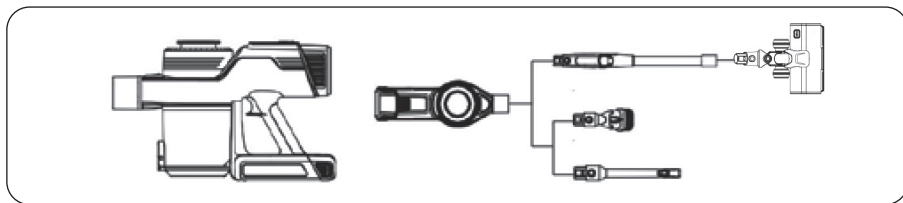


Figura 12

3. Eliminarea murdăriei

După oprirea aparatului, bateți tava de praf de pe partea laterală a recipientului de praf (Fig. 13) Deschideți capacul, aruncați praful și închideți capacul recipientului de praf. (Fig. 14)

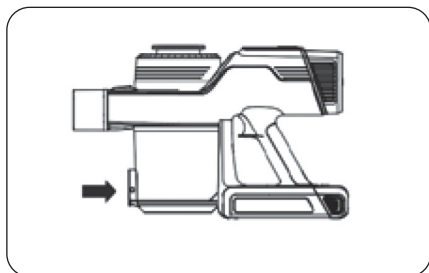


Figura 13

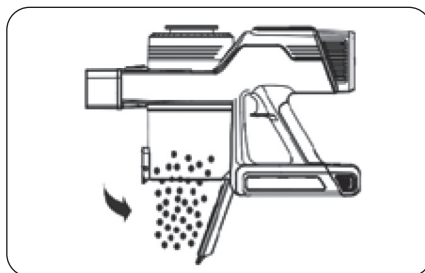


Figura 14

4. Demontarea filtrelor

Rotiți și scoateți tava de praf, acum puteți manevra filtrul din oțel inoxidabil și întoarceți-l pentru a-l scoate. Procedați invers pentru a înlocui filtrul din oțel inoxidabil și recipientul de praf. (Fig. 15)

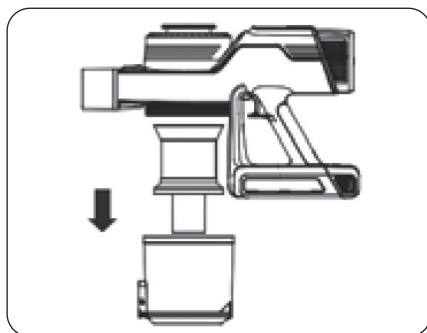


Figura 15

Scoateți filtrul în direcție indicată de săgeți. (Fig. 16)

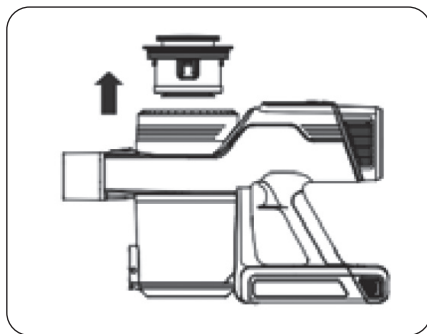


Figura 16

5. Încărcarea produsului

Conectați încărcătorul direct la aspirator sau stația de încărcare (Figura 17) și celălalt capăt la priza de perete de acasă (Figura 18)

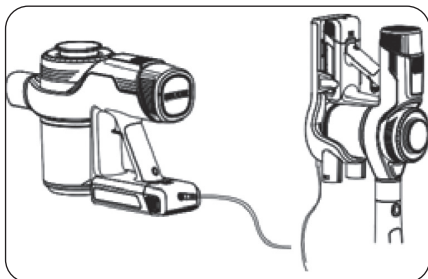


Figura 17

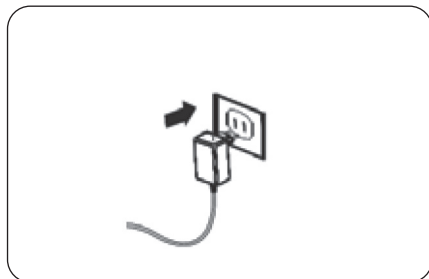


Figura 18

Indicatorul de încărcare

În funcționare: lumina este aprinsă continuu.

Încărcat parțial: LED-ul clipește.

Complet încărcat: lumina este aprinsă continuu.

NOTĂ

- După ce produsul iese din fabrică la fiecare 3 luni (în cazul unor condiții), vă rugăm să utilizați încărcătorul nostru special pentru a încărca bateria timp de 3 ore (nu este necesar să fie încărcat complet).
- Nu încărcați bateria pentru o perioadă lungă de timp, dacă încă încărcați peste timpul normal de încărcare, vă rugăm să opriți imediat, altfel pot exista riscuri precum încălzirea, deformarea sau arderea bateriei.
- Când bateria nu este în funcțiune pentru o perioadă lungă de timp sau când este complet descărcată, poate scădea în primele două. Se recomandă descărcarea completă după încărcare (de obicei mai mult de 6 ore). Este necesar doar să repetați acțiunea de două ori.

CURĂȚARE ȘI ÎNTREȚINERE

Pentru a nu afecta performanța aparatului, se recomandă să curățați componentele acestuia în mod regulat. Înainte de a curăța corpul principal (blocul motor) (secțiunea de reținere), asigurați-vă că mașina nu mai funcționează și că produsul nu se reîncarcă.

Spălați cu apă sau detergent neutru. Înainte de spălare, asigurați-vă că cârpa este uscată. Nu infiltrați apă în părțile interioare ale aspiratoarelor (Fig. 19) După curățare, nu îl puneți sub lumina directă a soarelui sau într-un loc umed.

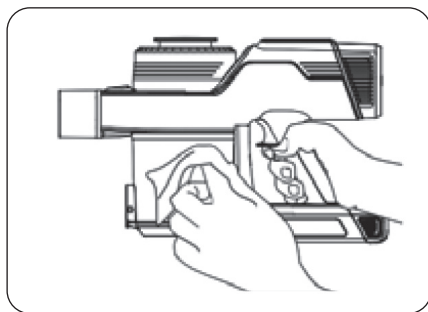


Figura 19

Curățarea recipientului de praf

Odată ce cantitatea de praf atinge valoarea „MAX”, vă rugăm să vă curățați cât mai curând posibil și să nu umpleți prea mult. Pentru a ușura golirea recipientului, este recomandat să îndepărtați tija de aluminiu sau alte accesorii înainte de curățare.

După ce aparatul este oprit, deschideți capacul recipientului de praf și aruncați praful. Dacă există murdărie persistentă în perețele interior al recipientului de praf, vă rugăm să îl ștergeți cu grijă cu o cârpă umedă.

După curățare, închideți capacul recipientului de praf și asigurați-vă că butonul de blocare este în poziție.



După ce ștergeți perețele interior al recipientului de praf cu o cârpă umedă, așezați-l la soare și apoi acoperiți recipientul de praf după uscarea completă.

Curățarea filtrului exterior

Pentru a asigura performanța produsului, se recomandă să îl curățați în mod regulat și să îl înlocuiți după 3-6 luni. (în funcție de utilizare), apăsați și mențineți apăsat butonul de eliberare a recipientului de praf, scoateți corpul și întoarceți capacul, îndepărtați buretele și îndepărtați praful filtrului cu burete. (vezi Fig. 16) Dacă praful s-a acumulat prea mult, spălați-l bine și uscați-l înainte de a-l încărca în corpul principal.



În timpul spălării filtrului cu burete, folosiți apă rece și uscați-l bine (de obicei la lumina soarelui timp de 24 de ore, apoi puneți-l înapoi în aparat.

Curățarea perilor

Se recomandă ca peria să fie curățată o dată după 4-5 ori de utilizare:

1. Oprțiți alimentarea și scoateți peria electrică.
2. Întoarceți peria și rotiți butonul de blocare de pe capacul fix cu o monedă pentru a deschide încuietura. (Figura 20)
3. Scoateți peria cu role pentru a fixa placa de acoperire, ridicați un capăt al periei cu role și trageți peria cu role. (Figura 19)
4. Folosiți o pereche de foarfece sau alte instrumente ascuțite pentru a îndepărta părul de animale încălțit și alte deșeurile (Figura 22).
5. Când curățarea este completă, împingeți un capăt al periei rulante în peria pentru podea și apoi fixați celălalt capăt în peria pentru podea. (Figura 23)
6. Acoperiți capacul și blocați-l.

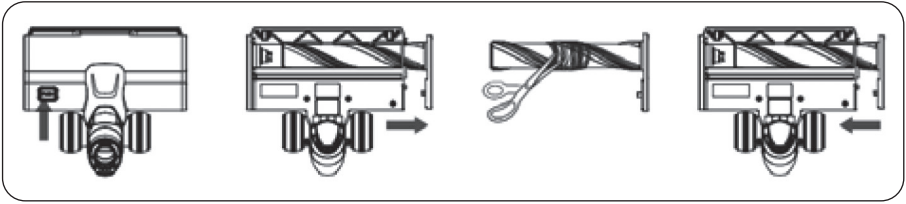


Figura 20

Figura 21

Figura 22

Figura 23

Depozitare

Depozitare pe platforma de încărcare: ușor de luat, economisind spațiu. (Figura 24)

Depozitarea accesoriilor: ușor de luat, ușor de colectat. (Figura 25)

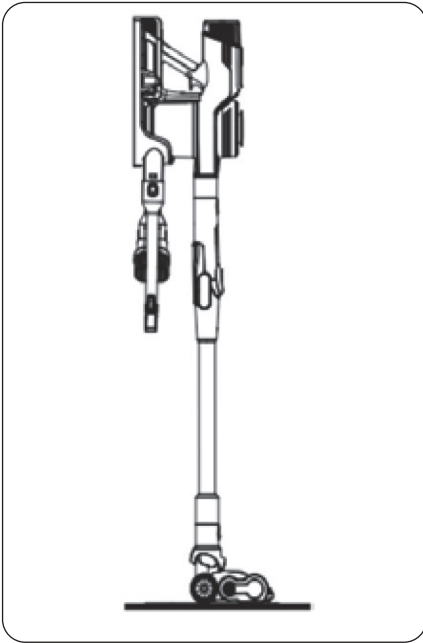


Figura 24

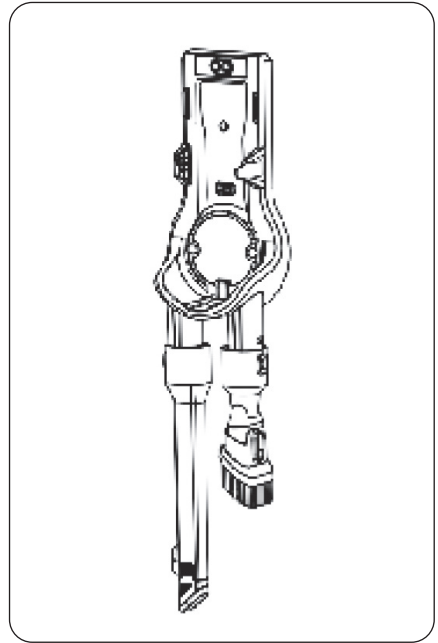


Figura 25

DEPANARE

Analiza și rezolvarea problemelor comune.

Problemă	Cauză posibilă	Soluție
Aspiratorul nu funcționează.	Produsul nu este alimentat sau este insuficient alimentat	Folosiți după ce produsul este încărcat.
	Orificiile aspiratorului sunt blocate.	Curățați orificiile.
Puterea de aspirare scade	Recipientul pentru praf și filtrele sunt murdare/pline.	Curățați recipientul și filtrele.
	Peria rotativă este blocată de păr, fire etc.	Curățați peria.
	După ce situația de mai sus este exclusă, performanța rămâne la fel.	Contactați serviciul clienți pentru reparații.
Motorul emite zgomote anormale	Tija de aspirare sau tija de aluminiu sunt blocate.	Eliminați obstacolele din interiorul tijelor.
	După ce situația de mai sus este exclusă, performanța rămâne la fel.	Contactați serviciul clienți pentru reparații.
Produsul nu poate fi reîncărcat	Computerul principal și suprafața de încărcare nu sunt bine conectate.	Verificați și conectați corect.
	După ce situația de mai sus este exclusă, performanța rămâne la fel.	Contactați serviciul clienți pentru reparații.

Dacă pașii de mai sus nu remediază situațiile, contactați departamentul clienți pentru ajutor.

SPECIFICAȚII TEHNICE

	Parametri tehnici
Voltaj (V)	25.2 V
Putere (W)	400 W
Capacitate baterie (mAh)	2500 mAh
Capacitate recipient praf (L)	0.6 L
Timp de încărcare (h)	Între 3 și 5 ore
Timp continuu de funcționare (min)	până la 60 de minute
Dimensiuni produs (mm)	369 x 125 x 227 mm
Greutate netă (kg)	2.65 kg

LIMITARE DE RĂSPUNDERE

Garanția nu acoperă piesele de uzură ale produsului, nici problemele sau daunele rezultate din:

1. deteriorarea suprafeței din cauza uzurii normale a produsului;
2. defecte sau deteriorări datorate contactului cu lichide și coroziei cauzate de rugină sau prezența insectelor;
3. orice incident, abuz, utilizare greșită, modificare, dezasamblare sau reparație neautorizată
4. întreținere necorespunzătoare, utilizare necorespunzătoare a produsului sau conectare la o tensiune incorectă;
5. orice utilizare a accesoriilor nefurnizate sau neaprobate de producător.

Garanția va fi anulată dacă plăcuța de identificare și/sau numărul de serie al produsului sunt îndepărtate..

Eliminare și răspundere față de mediu

Pentru a fi ecologic, vă încurajăm să aveți dispozitivul corect. Puteți contacta autoritățile locale sau centrele de reciclare pentru mai multe informații.

ELIMINARE



Prezența acestui logo pe produs înseamnă că eliminarea dispozitivului este reglementată de Directiva 2012/19/UE din 4 iulie 2012, referitoare la deșeurile de echipamente electrice și electronice (DEEE). Orice substanță periculoasă conținută în echipamentele electrice sau electronice poate avea un impact potențial asupra mediului și sănătății în timpul reciclării. În consecință, la sfârșitul duratei de viață utilă a dispozitivului, acesta nu trebuie aruncat împreună cu deșeurile municipale nesortate.

Rolul dumneavoastră de consumator final este esențial în ceea ce privește reutilizarea, reciclarea și obținerea altor tipuri de creare de valoare din acest produs. Aveți posibilitatea de a alege diferite sisteme de colectare și schimb organizate de autoritățile locale (centre de reciclare) și distribuitori. Trebuie să utilizați aceste posibilități.

LA FINALUL CICLULUI DE VIAȚĂ A BATERIEI



Acest aparat conține o baterie care nu poate fi înlocuită.

Bateriile uzate trebuie susținute de un sistem de colectare selectivă pentru a fi reciclate reducând astfel impactul asupra mediului.

Când bateria ajunge la sfârșitul ciclului de viață, trebuie să o plasați într-un sistem adecvat de colectare selectivă care se va ocupa de distrugerea și/sau reciclarea acesteia.

- Dacă acidul bateriei s-a scurs, evitați contactul cu pielea, ochii și mucoasele! Lichidul care se scurge din baterie poate provoca erupții cutanate. Dacă acidul a intrat în contact cu pielea, clătiți imediat zonele afectate cu apă curată și consultați imediat un medic.
- Bateriile trebuie instalate cu polaritatea corectă +/-.
- Nu reîncărcați bateriile nereîncărcabile din cauza riscului de explozie.

IMPORTANT

În niciun caz nu trebuie să aruncați dispozitivul sau bateria pe drumul public.

Informații pentru sursele de alimentare externe conform Regulamentului Comisiei 2019/1782/UE

	Valoare
Voltaj intrare	100-240 V
Frecvență AC	50/60 Hz
Voltaj ieșire	30 V
Curent	0.5 A
Putere	15 W
Eficiență activă medie	>86.8 %
Eficiență la sarcină scăzută (10 %)	>72 %
Consum putere fără sarcină	<0.1 W

Samo za uporabo v gospodinjstvu.
Pred uporabo natančno preberite ta navodila.

POMEMBNA OPOZORILA

PRED UPORABO NATANČNO PREBERITE TA NAVODILA IN JIH SHRANITE, DA VAM BODO V POMOČ V PRIHODNJE.



Navodila glede varnosti:

- **Baterijo morate odstraniti na varen način.**
- Aparata ne uporabljajte v bližini stopnic ali balkonov. Ta aparat nima senzorjev za izogibanje.
- To enoto lahko uporabljajo otroci, stari 8 in več let, ter osebe s telesnimi, senzoričnimi ali duševnimi okvarami ali pa osebe brez izkušenj in znanja, če so pod nadzorom ali pa so jim bila podana navodila za varno uporabo aparata in če razumejo nevarnosti, povezane z njegovo uporabo. Otroci se z aparatom ne smejo igrati. Brez nadzora otroci ne smejo čistiti in vzdrževati aparata.
- Ta naprava je namenjena izključno uporabi v gospodinjstvu.
- Ta enota je primerna za preproge z nizkim do srednjim florom. Ni primerna za neravna tla ali mešane vrste preprog.
- Da zaščitite stransko krtačo, jo pri čiščenju pod preprogo odstranite.
- Če je napajalni kabel adapterja poškodovan, morate adapter zavreči.
- Baterijo polnite le s polnilnikom, ki ga dobavi proizvajalec.
- Napravo uporabljajte skupaj z baterijo, ki je (S) izdelana posebej (S) za ta namen. Če bi uporabljali kakršno koli (S) drugo (S) baterijo (S), bi lahko prišlo do eksplozije ali požara.
- Adapter uporabljajte le pri tem izdelku.
- Izdelka ne uporabljajte za odstranjevanje prahu, ki je vlažen ali masten.
- Pred uporabo odstranite krhke predmete (steklene predmete, luči itd.) in druge predmete, v katere bi se krtače lahko zapletle (dolge lase, plastične vrečke, vrvi, žice itd.).
- Ne sedajte na aparat in nanj ne postavljajte težkih predmetov.
- **OPOZORILO:** Prepričajte se, da enota v prostoru lahko neovirano deluje (da je ne blokirajo ovire in da se ne more prevrniti) ter da ni nobenih ovir, čez katere bi se lahko prevrnila in bi se pojavila nevarnost (na primer, prižgane sveče ali vaza, napolnjena z vodo).
- Aparat redno čistite.
- Praznite vsebnik za prah.
- Če aparata tri mesece niste uporabljali, napolnite baterijo.
- Napolnite jo le, če je vklopljen alarm za nizko energijo, ali ko je napajanje izklopljeno. Aparat uporabljajte, ko je baterija do konca napolnjena.
- Pred odstranjevanjem aparata je treba odstraniti baterijo; pri odstranjevanju baterije je treba aparat odklopiti z omrežnega napajanja.
- Baterij ne odlagajte med gospodinjske odpadke. Odstranite jih v skladu z lokalnimi predpisi.
- Baterijo/robota polnite le z adapterjem, ki je priložen napravi.
- Kabla zunanjega prilagodljivega adapterja ni mogoče zamenjati; če je kabel poškodovan, morate adapter odstraniti in zamenjati z novim enakim modelom.
- Aparat morate pred odstranjevanjem baterije odklopiti od omrežnega napajanja.
- Ta naprava vsebuje baterijo, ki jo je mogoče zamenjati.
- **OPOZORILO:** Za polnjenje baterije uporabljate le določeno napajalno enoto, ki je priložena tej napravi.



Odklopna napajalna enota

- **OPOZORILO:** nevarnost ujetja. Pazite, da ohlapna oblačila, lasje, prsti itd. ne bodo v bližini motoriziranih krtač in šob.
- **OPOZORILO:** pred čiščenjem ali vzdrževanjem aparata morate vtič odklopiti z napajalne vtičnice.

POMEMBNO

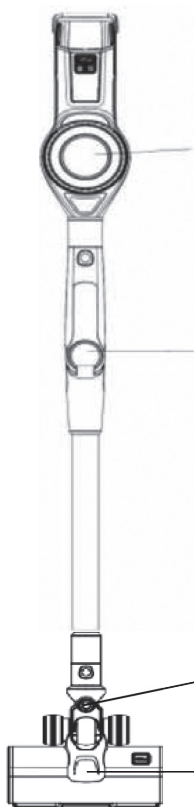
Če je napajalni kabel poškodovan, ga ne smete menjati sami.

Če naprava pade, prosite usposobljeno osebo, naj jo pregleda, preden jo znova začnete uporabljati. Zaradi notranjih poškodb lahko pride do nesreč.

Da preprečite nevarnosti, se pri kakršni koli težavi ali popravilih obrnite na službo za podporo kupcem pri lokalnem distributerju, proizvajalca ali usposobljeno osebo.

OPIS NAPRAVE

Pregled izdelka



Sesalnik s tehnologijo centrifugiranja in penastim zračnim filtrom

Dvojno filtriranje in visoka učinkovitost čiščenja za čim bolj učinkovito odstranjevanje prahu.

Visoko kakovostna, lahka aluminijasta cev, odporna na korozijo in podaljšana, da je mogoče zlahka doseči visoka mesta, razpoke in druge težavne kote.

Prilagodljivo vrtenje, priročno upravljanje.

Prosto vrtenje in učinkovito odstranjevanje umazanije.

Električna krtača za tla

Za enostavno čiščenje vseh vrst tal in debelih volnenih preprog, pri katerem so odstranjene vse vrste umazanije.

Blok motorja

Indikatorna lučka

lučkaDelovanje izdelka, prikaz vklopa električnega napajanja

Regulator hitrosti

Nadzirajte hitrost po svojih željah.

Gumb stikala

Hiter zagon/hitra zaustavitev sesalnika, ko je to potrebno, in s tem prihranek pri elektriki.

Na dotik mehak ročaj

Visokokakovostna struktura in odpornost na obrabo.

Gumb za zaklep

Prilagodljiva kombinacija različnih pripomočkov, bolj priročno upravljanje.

Prozorna posoda za prah

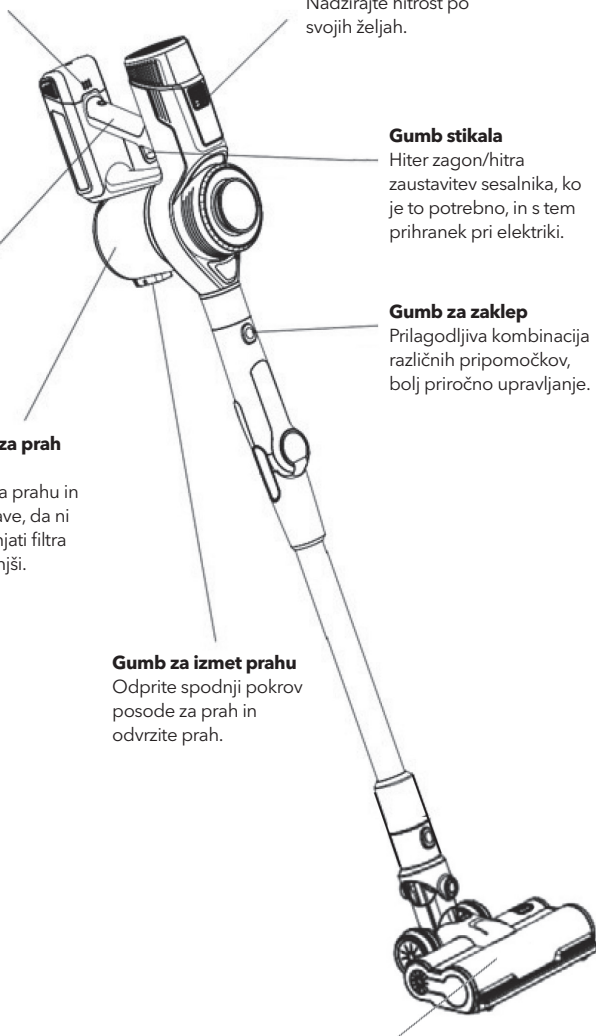
Priročna možnost opazovanja zbiranja prahu in pravočasne obdelave, da ni treba pogosto menjati filtra in da so stroški manjši.

Gumb za izmet prahu

Odprite spodnji pokrov posode za prah in odvrzite prah.

Električna krtača

Za enostavno čiščenje vseh vrst tal in debelih volnenih preprog, pri katerem so odstranjene vse vrste umazanije.



Električna krtača

Prilagodljivo vrtenje, priročno upravljanje.

Prosto vrtenje in učinkovito odstranjevanje umazanije.

Lučka LED

Priročno je, da prah na temnih območjih lahko vidite, tako da po čiščenju ne bo nobenih mest z ostanki prahu.

Odprtina za vrtljivo krtačo

Optimizirana zasnova odprtine za krtačo, ki je v pomoč pri hitrejšem odstranjevanju prahu.

Dust strip

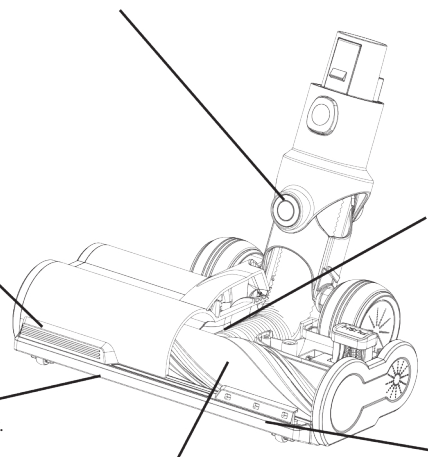
Improve cleaning efficiency.

Najlonska krtača

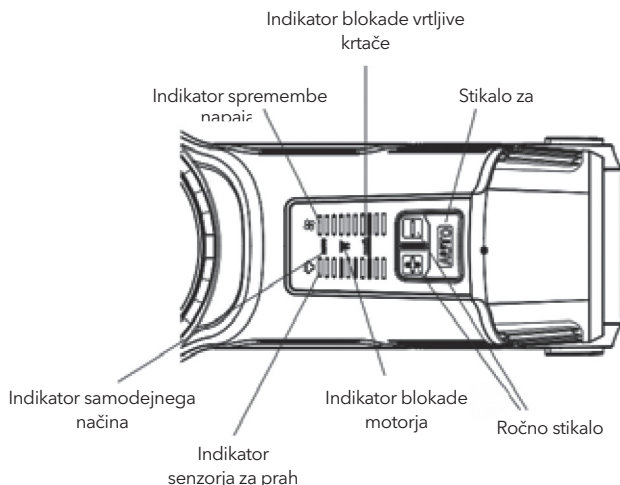
Dvoplastna fina najlonska krtača, s katero je mogoče zlahka odstraniti umazanijo med volneno preprogo s kratkim florom in spojem talnih oblog.

Trak za blaženje trkov

Ta trak, ki je odporen na obrabo in okolju prijazen, ščiti parket.



Senzor za prah



INDIKATOR MENJAVE MOČI:

To je možnost, ko je vklopljen "SAMODEJNI NAČIN", da vidite spremembo ravni moči.

INDIKATOR ZAKLEPANJA VRTLJIVE KRTAČE:

Indikator označuje, da je motorna krtača v pedalu blokirana ali ne deluje. Priporočilo, da sprostite krtačo za normalno delovanje ali jo očistite.

SAMODEJNO STIKALO NAČINOV:

S tem stikalom lahko vklopite ali izklopite "AUTO MODE". Delovanje sesalnika v "Samodejnem načinu" to pomeni, da sesalnik deluje z eno močjo sesanja in ko posesa veliko količino prahu in gre čez senzor, ta prah zazna in poveča sesalno moč, medtem ko senzor zazna, da obstaja ni več prahu in se vrne na prejšnjo moč sesanja.

INDIKATOR SAMODEJNEGA NAČINA:

To je indikator, da je način čiščenja »AUTO MODE« vklopljen/izklopljen.

INDIKATOR SENZORJA ZA PRAH

Ko indikator prižge več kot polovico lučk, je potrebno očistiti zgornji HEPA filter. Neupoštevanje led indikatorja lahko povzroči stranske učinke: zamašen Hepa filter, oslabitev sesalne moči, uničenje motorja.

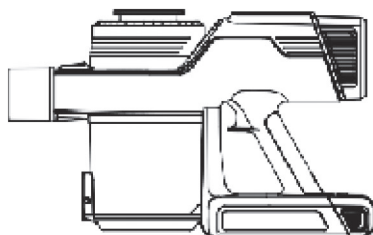
INDIKATOR ZAKLEPANJA MOTORJA:

To je indikator, ko je dovod zraka blokiran, pretok zraka do motorja oviran ali prekinjen na poti krtače za tla, cevi, posode za prah, kovinskega filtra, filtra TOP HEPA, filtra Back HEPA).

ROČNO STIKALO:

Ta stikala (+ , -) se uporabljajo za prilagajanje sesalne moči, na voljo je pet stopenj moči.

VSEBINA EMBALAŽE



Glavno ohišje



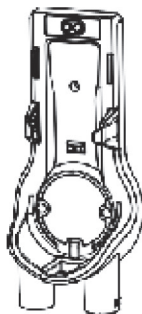
Električna krtača



Krtača za prah 2 v 1



Ozki nastavek



Polnilna postaja



Polnilnik



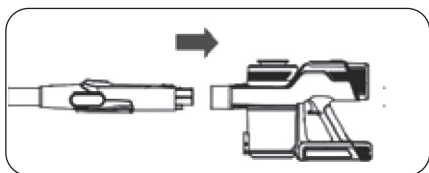
Dolga aluminijasta cev s prilagodljivo gibko cevo

Zaradi nenehnih izboljšav izdelkov je zgoraj prikazana konfiguracija pri drugih modelih drugačna. Pridržujemo si to pravico. Podjetje si pridržuje pravico do pojasnila.

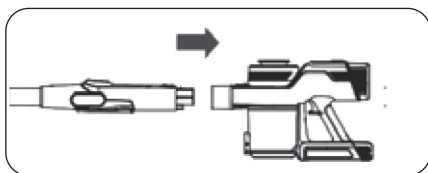
NAVODILA ZA UPORABO

Navodila za namestitev aluminijastih cevi

- Potisnite konec aluminijaste cevi vodoravno v odprtino sesalnika na glavnem delu aparata, da se potem, ko zaslišite tlesk, prepričate, ali je trdno pritrjena in ni zrahljana in ali je pravilno nameščena. (Slika 1)
- Da odstranite aluminijasto cev, z eno roko pridržite glavno ohišje in ga z drugo roko izvlecite, pri čemer pritisnite gumb. (Slika 2)



Slika 1



Slika 2

Navodila za namestitev električne krtače

- Potisnite en konec odprtine okrogle krtače v konec cevi pri izhodu za zrak, da bo trdno pritrjena in ne bo zrahljana; če zaslišite zvok, je pravilno nameščena (slika 3).
- Če želite krtačo odstraniti, jo primite v eno roko in z drugo hkrati pritisnete gumb, krtačo pa izvlecite. (Slika 4.)
- Električne krtače ni treba priklopiti na priključek aluminijaste cevi, lahko jo namestite neposredno na motorno enoto.



Slika 3

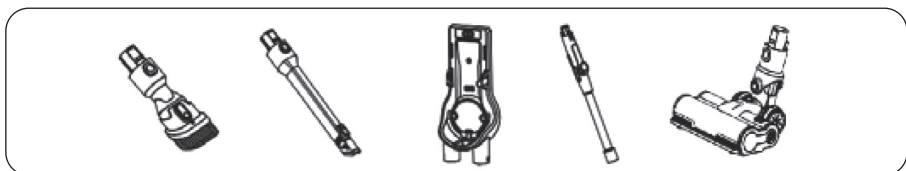


Slika 4

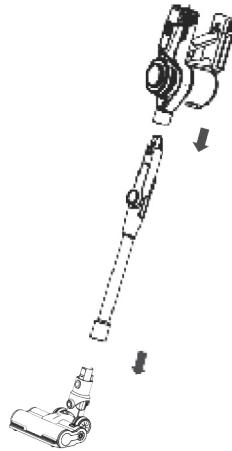
Pripomočki

Navodila za uporabo pripomočkov

- Poleg aluminijaste cevi in električne krtače lahko uporabite tudi krtačo 2 c 1 in dolgo šobo, da izdelek prilagodite vsem situacijam (slika 5).
- Krtača 2 v 1
Primerne je za čiščenje majhnih prostorov, rež ali nepravilnih površin predmetov, kot so koti sobe, reža v okenskem okviru iz zlitine, notranjost aparatov bele tehnike, predalov, avtomobilskih blazin, okvirjev za slike, stropov, tipkovnic itd.
- Dolga šoba
Primerne je pri čiščenju vogalov z nepriročnim dostopom, kot so koti, reže itd.



Slika 5 (pripomočki)



Slika (6, 7)

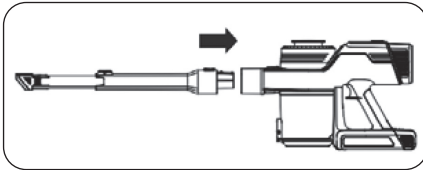
Pripomočke je mogoče vstaviti na 2 različna načina: neposredno na konec prilagodljive cevi (način 1) ali na konec motornega bloka (način 2).

Način 1: vzemite priključek z dolgo šobo in ga potiskajte v konec aluminijaste cevi, dokler ne zaslišite tleska, ki pove, da je namestitev pravilna. Če ga želite odstraniti, ga izvlecite.

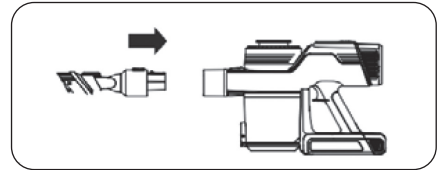
Vzemite priključek krtače 2 v 1 in storite enako: potiskajte ga v konec aluminijaste cevi, dokler ne zaslišite tleska, ki pove, da je namestitev pravilna.

Če ga želite odstraniti, ga izvlecite. (Sliki 6 in 7)

Način 2: če želite vstaviti pripomočke neposredno v blok motorja, postopek ponovite (sliki 8 in 9).



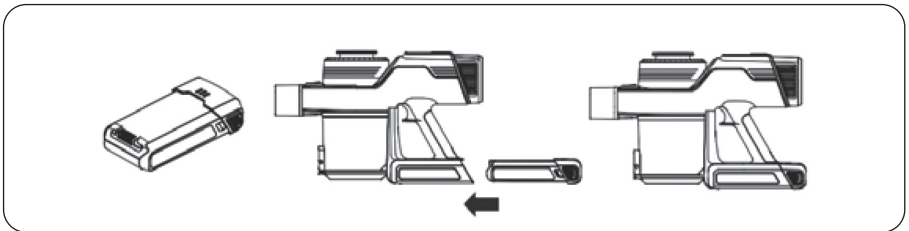
Slika 8



Slika 9

Navodila za namestitev baterije

Namestite baterijo na aparat v smeri, prikazani na sliki (slika 10), in jo namestite, kot je prikazano (slika 11), da preprečite rahljanje. Če zaslišite tlesk, je nameščena pravilno.



Slika 10

Slika 11

POZOR:

da boste baterijo lahko dolgo uporabljali, jo shranite na hladnem in suhem mestu ter napolnjeno do polovice. Da preprečite neposreden stik z baterijo, kar bi jo lahko poškodovalo, jo ovijte z neprevodnim materialom.

Uporaba

1. Priprava

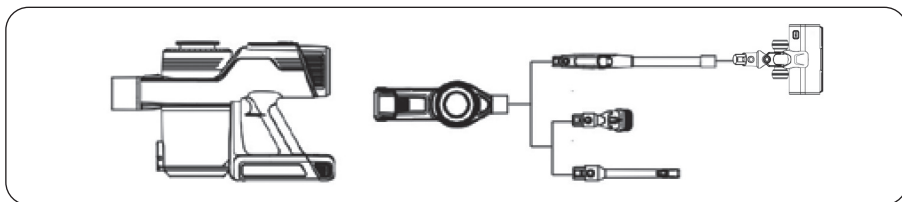
Pred uporabo namestite baterijo in preverite, ali je napolnjena. Če ni, jo pravočasno napolnite (glejte „Polnjenje izdelka“; po polnjenju jo lahko uporabite.

Pripomočke lahko izberete po potrebi, odvisno od tega, katero območje je čisto in katero ni. Družba proizvaja različne posebne pripomočke.

Lahko jih izberete glede na površine, ki jih nameravate očistiti. (Podrobnosti poiščite v dodatku z navodili za upravljanje.)

2. Začetek dela

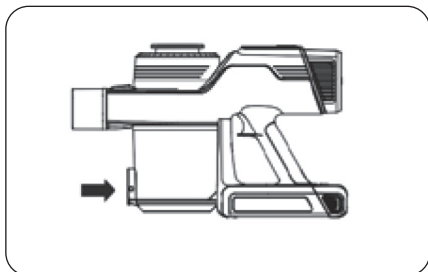
Pritisnite gumb stikala in gumb na dotik; aparat bo začel delovati. Če ga morate zaustaviti, sprostite gumb stikala. (Slika 12.)



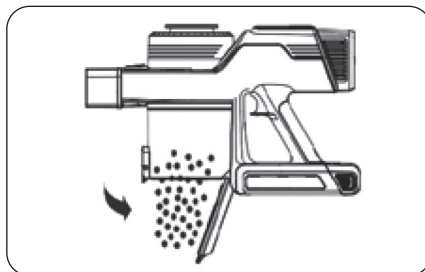
Slika 12

3. Praznjenje posode za prah

Ko zaustavite aparat, se dotaknite pokrova posode za prah na stranskem delu posode za prah (slika 13). Odprite pokrov, odvrzite prah in zaprite pokrov posode za prah. (Slika 14)



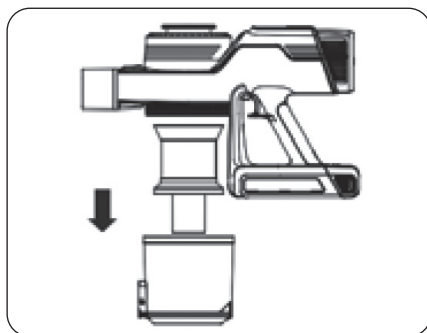
Slika 13



Slika 14

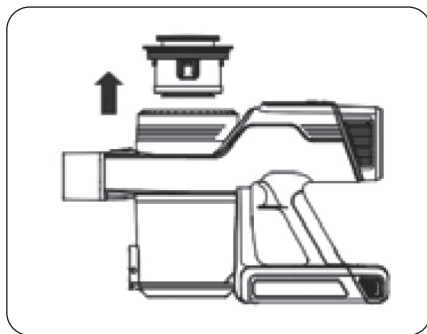
4. Razstavljanje jedra filtra

Zavrtite in odstranite pladenj za prah; dosežete lahko filter iz nerjavnega jekla, ki ga obrnite in odstranite. Da zamenjate nerjavni filter in posodo za prah, izvedite obratni postopek. (Slika 15)



Slika 15

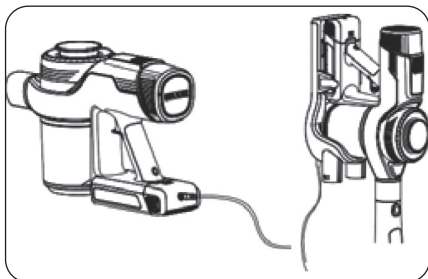
Odstranite element filtra v smeri, ki jo označuje puščica. (Slika 16)



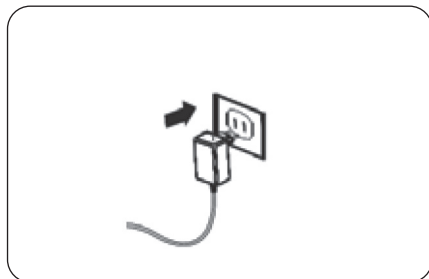
Slika 16

5. Polnjenje izdelka

Priklopite polnilnik neposredno na sesalnik ali polnilno postajo (slika 17), drugi konec pa na stensko vtičnico v vašem domu. (Slika 18.)



Slika 17



Slika 18

Več o indikatorju polnjenja

Delovanje: lučka neprekinjeno sveti.

Delno napolnjeno: lučka utripa.

Do konca napolnjeno: lučka neprekinjeno sveti.

OPOMBA

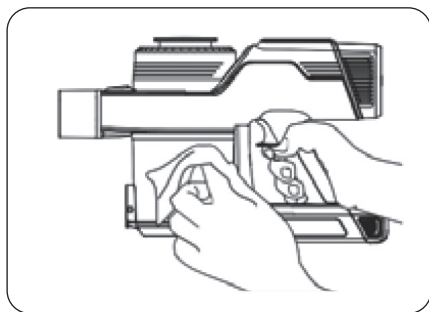
- Ko izdelek zapusti tovarno vsake 3 mesece (odvisno od pogojev), za triurno polnjenje baterije (ki je ni treba do konca napolniti) uporabite posebni polnilnik naše družbe.
- Baterije ni treba polniti dolgo; če še vedno polnite dlje, kot znaša običajni čas polnjenja, takoj prenehajte, saj lahko pride do tveganj, kot so pregrevanje, deformacija in gorenje baterije.
- Če baterija dlje časa ne deluje ali je zelo izpraznjena, lahko prvih nekajkrat deluje krajši čas. Priporočljivo jo je popolnoma izprazniti po polnjenju (običajno več kot 6 ur). Ta postopek je treba ponoviti samo dvakrat.

ČIŠČENJE IN VZDRŽEVANJE

Da se delovanje aparata ne bo poslabšalo, morate njegove sestavne dele redno vzdrževati.

Pred čiščenjem glavnega ohišja (bloka motorja) (del z držalom) poskrbite, da se bo aparat zaustavil in se ne bo polnil.

Zdrgnite z vodo ali nevtralnimi detergentom. Pred drgnjenjem se prepričajte, da je krpa suha. Voda naj ne pride v notranje dele sesalnika (slika 19). Po čiščenju ga ne izpostavljajte neposredni sončni svetlobi in ne puščajte na vlažnem mestu.



Slika 19

Čiščenje posode za prah

Ko količina prahu doseže vrednost „MAX“ (Največja količina), prah čim prej odstranite, da posode ne boste preveč napolnili.

Da boste lažje izpraznili posodo za prah, je priporočljivo, da pred čiščenjem odstranite aluminijasto cev ali druge pripomočke.

Ko se aparat zaustavi, odprite pokrov posode za prah in prah odvrzite. Če se je na notranjo stran posode za prah prijela trdovratna umazanija, jo previdno obrišite z vlažno krpo.

Po čiščenju zaprite pokrov posode za prah in se prepričajte, da je gumb za zaklep v pravilnem položaju.



OPOMBA

obrišete notranjo steno posode za prah z vlažno krpo, morate posodo postaviti na sonce, ko se temeljito posuši, pa morate zapreti pokrov.

Čiščenje izhodnega filtra

Da bo izdelek pravilno deloval, morate ta filter redno čistiti in ga na vsakih 3-6 mesecev zamenjati. (To je odvisno od uporabe.) Pritisnite in pridržite gumb za sprostitvev posode za prah, odstranite ohišje in obrnite pokrov, odstranite penasti filter, nato pa še očistite prah z njega. (Glejte sliko 16.)

Če se je nabralo preveč prahu, filter pred vstavljanjem nazaj v glavno ohišje temeljito sperite in ga posušite.



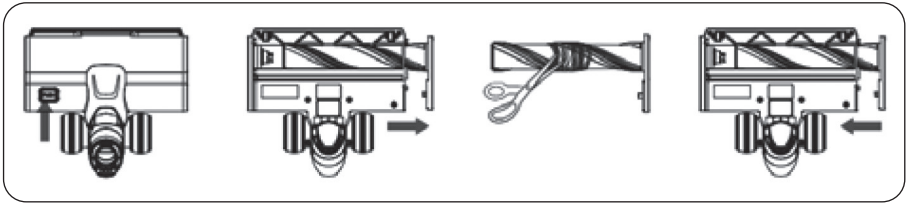
OPOMBA

Za pranje penastega filtra uporabite hladno vodo, filter pa temeljito osušite (običajno je priporočljivo sušenje na soncu 24 ur), nato pa ga vstavite nazaj v ohišje.

Čiščenje krtače

Priporočljivo je, da krtačo očistite na vsakih 4-5 uporab z električno krtačo.

1. Odklopite napajanje in odstranite električno krtačo.
2. Krtačo obrnite, gumb za zaklep na fiksnem pokrovu pa zavrtite s kovancem, da odklenete zaklep. (Slika 20.)
3. Odstranite vrtljivo krtačo, da fiksirate ploščo pokrova, dvignite en konec vrtljive krtače in vrtljivo krtačo izlecite. (Slika 21.)
4. S škarjami ali drugim ostrim predmetom odstranite živalske dlake in druge odpadke, ki so se zapletli v krtačo (slika 22).
5. Ko vrtljivo krtačo do konca očistite, najprej v talno krtačo potisnite en konec, nato pa pripnite nanjo še drugega. (Slika 23.)
6. Namestite pokrov in ga zaklenite.



Slika 20

Slika 21

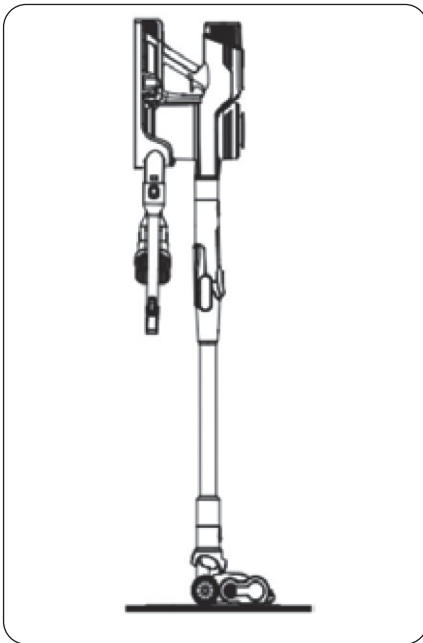
Slika 22

Slika 23

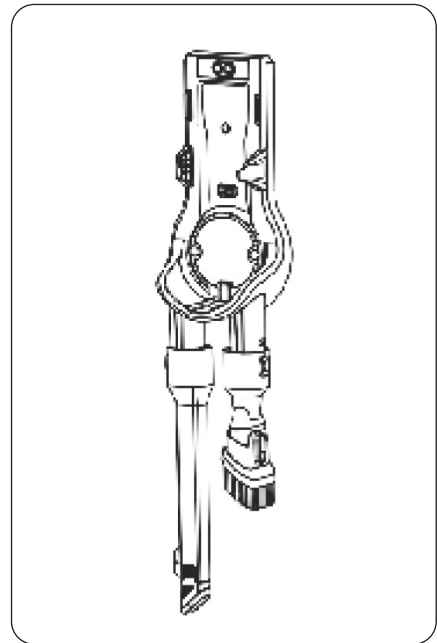
Urejanje in shranjevanje

Shranjevanje polnilne postaje: lahka za montažo, prihranek prostora. (Slika 24)

Shranjevanje pripomočkov: enostavno jemanje, enostavno zbiranje. (Slika 25.)



Slika 24



Slika 25

ODPRAVLJANJE TEŽAV

Analiza in odpravljanje pogostih okvar.

Težava	Možni vzrok	Rešitev
Sesalnik ne deluje.	Električnega napajanja izdelka ni ali pa ni zadostno.	Uporabljajte ga, ko bo polno napajan.
	Sesalna odprtina je blokirana.	Očistite sesalno odprtino.
Sesanje pri izdelku slabi.	Posoda za prah in sestavni deli filtra so polni prahu.	Očistite posodo za prah in materiale filtra.
	V vrtljivo krtačo so se zapletli lasje in podobno.	Očistite vrtljivo krtačo.
	Ko uredite zgoraj omenjeno situacijo, težava ostaja.	Obrnite se na naš poprodajni servis za vzdrževanje.
Zvok pri delovanju motorja ni normalen.	Glavna sesalna cev ali aluminijasta cev je blokirana.	Očistite ovire v glavni sesalni cevi ali aluminijasti cevi.
	Ko uredite zgoraj omenjeno situacijo, težava ostaja.	Obrnite se na naš poprodajni servis za vzdrževanje.
Izdelka ni mogoče napolniti.	Glavni računalnik in vmesnik polnilnika nista pravilno povezana.	Preverite in ju pravilno povežite.
	Ko uredite zgoraj omenjeno situacijo, težava ostaja.	Obrnite se na naš poprodajni servis za vzdrževanje.

Če ste izvedli zgornje korake, aparat pa še vedno ne deluje, se za pomoč obrnite na naš oddelek poprodajnega servisa.

TEHNIČNE SPECIFIKACIJE

	Tehnični parameter
Delovna napetost (V)	25,2 V
Nazivna moč (W)	400 W
Zmogljivost baterije (mAh)	2500 mAh
Volumen posode za prah (l)	0,6 l
Čas enkratnega polnjenja (ure)	Med 3 in 5 urami.
Čas neprekinjenega delovanja (min.)	do 60 minuta
Mere izdelka (mm)	369 x 125 x 227 mm
Neto teža (kg)	2,65 kg

IZJAVA O ZAVRNITVI GARANCIJE

Ta garancija ne krije potrošnih delov aparata in težav ali škode, ki nastanejo zaradi:

1. propadanja površine zaradi normalne obrabe izdelka;
2. okvar ali propadanja zaradi stika s tekočinami in korozijskimi snovmi, ki povzročajo rjo, ali prisotnosti insektov;
3. kakršne koli nesreče, zlorabe, nepravilne uporabe, spreminjanja, razstavljanja ali nepooblaščenega popraviljanja;
4. nepravilnega vzdrževanja, nepravilne uporabe v zvezi z izdelkom ali priklopa na nepravilno napetost;
5. kakršne koli uporabe pripomočkov, ki jih ni dobavil ali odobril proizvajalec.

Garancija bo preklicana tudi, če bo napisna ploščica in/ali serijska številka izdelka odstranjena.

Odstranjevanje in odgovornost do okolja

Da boste ravnali okolju prijazno, vas spodbujamo, da aparat pravilno odstranite. Za več informacij se lahko obrnete na lokalne organe ali centre za recikliranje.

ODSTRANJEVANJE



Prisotnost tega logotipa na izdelku pomeni, da odstranjevanje aparata ureja Direktiva 2012/19/EU z dne 4. julija 2012, ki se nanaša na odpadno električno in elektronsko opremo (OEEO).

Morebitne nevarne snovi v električni ali elektronski opremi lahko med recikliranjem vplivajo na okolje in zdravje. Zato aparata ob koncu življenjske dobe ne smete odložiti skupaj z gospodinjstvi odpadki, ki se ne odlagajo ločeno.

Pri ponovni uporabi, recikliranju in pridobivanju drugih vrst ustvarjanja vrednosti iz tega izdelka je vaša vloga potrošnika ključna. Na voljo imate različne sisteme zbiranja in izmenjave, ki jih organizirajo lokalne skupnosti (centre za recikliranje) in distributerji. Te možnosti morate uporabiti.

OB KONCU ŽIVLJENJSKE DOBE BATERIJE



V tem aparatu je baterija, ki ni za večkratno uporabo.

Uporabljene baterije je treba zbirati s sistemom za ločeno zbiranje, v katerem se reciklirajo, in s tem zmanjšati vpliv na okolje.

Ob koncu življenjske dobe baterije jo morate odnesti v ustrezen sistem za ločeno zbiranje, kjer jo bodo uničili in/ali reciklirali.

- Če je iz baterije iztekla kislina, pazite, da ne pride v stik s kožo, očmi in sluznicami. Tekočina, ki izteka iz baterije, lahko povzroči izpuščaje. Če se je kislina vseeno dotaknila kože, takoj sperite prizadeta območja s čisto vodo in se nemudoma posvetujte z zdravnikom.
- Baterijo je treba namestiti tako, da sta pola +/- pravilno obrnjena.
- Zaradi nevarnosti eksplozije baterij za enkratno uporabo ne smete polniti.

POMEMBNO

Aparata ali baterije pod nobenim pogojem ne smete odvreči na javno cesto.

Informacije za zunanje napajanje pri Uredbi Komisije 2019/1782/EU

	Vrednost
Vhodna napetost	110–120 V/220–240 V
Frekvenca vhodne AC	50/60 Hz
Izhodna napetost	30 V
Izhodni tok	0,5 A
Izhodna moč	15 W
Povprečna učinkovitost pri delovanju	> 86,8 %
Učinkovitost pri nizki obremenitvi (10 %)	> 72 %
Poraba energije brez obremenitve	< 0,1 W

Samo za domaćinstvo.
Pre upotrebe pažljivo pročitajte uputstvo za upotrebu.

VAŽNA SIGURNOSNA UPUTSTVA

PAŽLJIVO PROČITAJTE BEZBEDNOSNA UPUTSTVA PRE UPOTREBE I ZAČUVAJTE IH ZA BUDUĆU REFERENCU.



Bezbednosna uputstva:

- **Bateriju morate bezbedno ukloniti.**
- Nemojte ga koristiti u blizini stepenica ili na balkonima. Ovaj uređaj nema senzore za izbegavanje.
- Ovu jedinicu mogu koristiti deca od 8 godina i osobe sa fizičkim, senzornim ili mentalnim veštinama ili nedostatkom iskustva i znanja pod uslovom da su stavljeni pod nadzor ili su dobili uputstva za bezbedno korišćenje uređajaa i da razumeju opasnosti. Deca ne bi trebalo da se igraju sa uređajem. Čišćenje i održavanje od strane korisnika ne bi trebalo da ga prave deca bez nadzora.
- Ovaj uređaj je namenjen samo za kućnu upotrebu.
- Ova jedinica je pogodna za tepihe niskog do srednjeg filca. Nije pogodan za neravne podove ili mešane tepihe.
- Uklonite bočnu četku prilikom čišćenja ispod tepiha da biste zaštitili bočnu četku.
- Ako je kabl za napajanje adaptera oštećen, adapter se mora promeniti.
- Punite bateriju samo sa punjačem koji je isporučio proizvođač
- Koristite uređaj sa baterijom koje je specijalno kreiran za ovaj uređaj. Upotreba bilo koje druge baterije može izazvati eksploziju ili požar
- Koristite adapter koji je predviđen za ovaj proizvod.
- Ne koristite na mokroj ili masnoj prašini.
- Pre upotrebe čuvajte lomljive predmete (staklo, svetlo, itd.) i druge predmete koji bi mogli da zapletu četke (duga kosa, plastične kese, konopac, žica, itd.).
- Ne sedite na uređaju i ne stavljajte teške stvari na isti.
- UPOZORENJE: Uverite se da jedinica može slobodno da funkcioniše u prostoriji (nije blokirana preprekom, ne može da se prevrne) i da nema prepreke na koju bi se uređaj mogao prevrnuti i stvoriti opasnost (kao što su upaljene sveće ili vaza napunjena vodom).
- Redovno čistite mašinu.
- Ispraznite posudu za prašinu.
- Punite bateriju, ako uređaj ne koristite tri meseca.
- Puniti samo u situaciji alarma male snage ili kada se uređaj isključi. Koristite ga nakon potpunog punjenja.
- Baterija mora biti uklonjena iz aparata pre njenog odlaganja; uređaj mora biti isključen iz električne mreže prilikom vađenja baterije;
- Ne bacajte baterije sa kućnim otpadom. Uklonite ih u skladu sa lokalnim propisima.
- Punite bateriju samo pomoću adaptera koji ste dobili uz uređaj.
- Kabl fleksibilnog eksternog adaptera se ne može zameniti; u slučaju oštećenja kabla, potrebno je adapter odbaciti i zameniti adapterom istog modela.
- Aparat se mora isključiti iz električne mreže prilikom vađenja baterije.
- Ovaj uređaj sadrži bateriju koja se može zameniti.
- UPOZORENJE: Za potrebe punjenja baterije, koristite samo adapter za napajanje koja se isporučuje uz ovaj uređaj.



Jedinica za napajanje koja se može odvojiti

- UPOZORENJE: Opasnost od ukleštenja. Držite široku odeću, kosu, prste itd. dalje od motorizovanih četkica i mlaznica.
- UPOZORENJE: utikač se mora izvaditi iz utičnice pre čišćenja ili održavanja uređaja.

VAŽNO

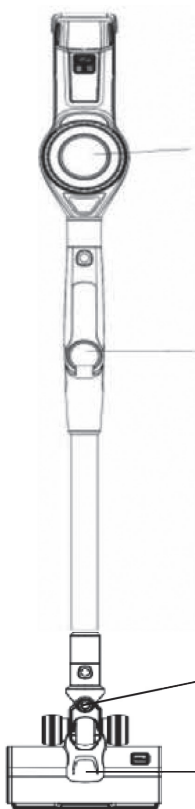
Zabranjeno je samostalno zameniti kabl za napajanje ako je oštećen.

Ako uređaj padne, zamolite kvalifikovanu osobu da ga proveri pre nego što ga ponovo upotrebite. Unutrašnja oštećenja mogu izazvati nesreće.

Za bilo kakve probleme ili popravke, obratite se korisničkoj službi lokalnog distributera, proizvođača ili kvalifikovane osobe kako biste izbegli opasnost.

OPIS UREĐAJA

Pregled proizvoda



Usisivač sa centrifugalnom tehnologijom sa sunderom za filtriranje vazduha

Dvostruka filtracija i visoko efikasno čišćenje, kako bi se postiglo najbolji efekat uklanjanja prašine.

Visokokvalitetna aluminijumska cev, lagan dizajn otporan na koroziju, dovoljne dužine za sve, lako se koristi na visokim mestima, pukotinama i drugim teškim uglovima.

Fleksibilna rotacija, zgodan rad.

Slobodno okretanje i efikasno uklanjanje prljavštine.

Električna četka za pod

Za lako čišćenje svih vrsta podova kao i debelih vunениh tepiha za uklanjanje svih vrsta prljavštine.

Motorna jedinica

Indikatorna lampa

Rad proizvoda,
indikacija struje

Regulator brzine

Kontrolišite brzinu
prema zahtevu korisnika

Dugme za uključivanje/ isključivanje

Može brzo da pokrene/
zaustavi usisivač po potrebi,
štedeći električnu energiju.

Mekana ručka na dodir

Visokokvalitetna tekstura
i otpornost na habanje.

Dugme za zaključavanje

Fleksibilna kombinacija
raznih dodataka,
praktičniji rad.

Prozirna posuda za prašinu

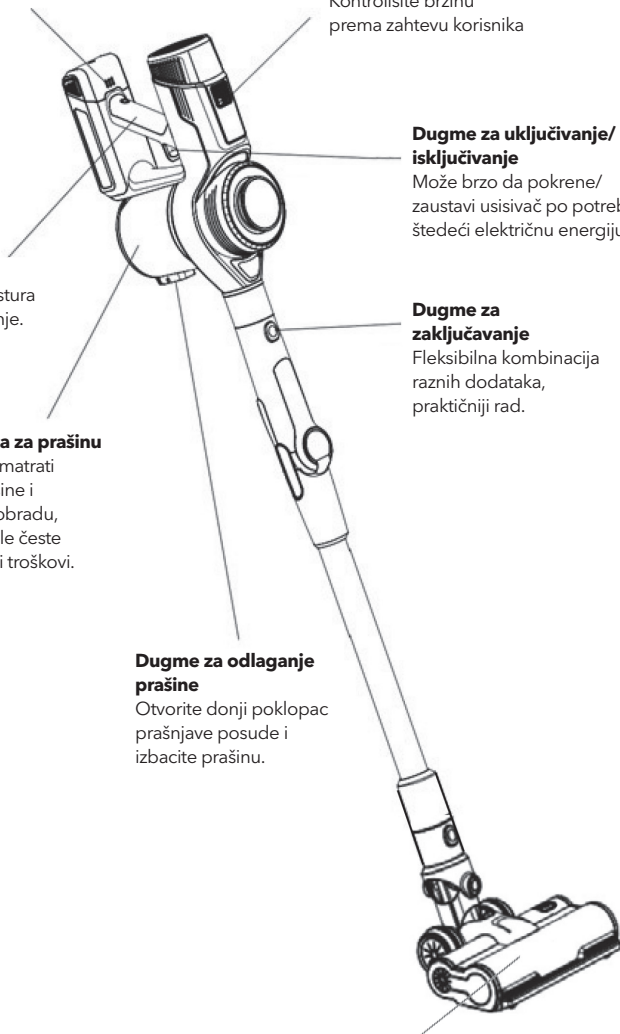
Pogodno je posmatrati
sakupljanje prašine i
blagovremenu obradu,
kako bi se izbegle česte
promene filtera i troškovi.

Dugme za odlaganje prašine

Otvorite donji poklopac
prašnjave posude i
izbacite prašinu.

Električna četka

Za lako čišćenje svih vrsta
podova kao i debele vunene
tepihe. Služi za uklanjanje
sve vrste prljavštine.



Električna četka

Fleksibilna rotacija, zgodan rad.

Slobodno okretanje i efikasno uklanjanje prljavštine.

LED lamp

Pogodno je da bi uočili prašinu, tako da očistite prašinu bez slepih tačaka.

Šuplja kotrljajuća četka

Optimizovan dizajn četke, pomaže za poboljšanje brzine i uklanjanja prašine.

Traka za prašinu

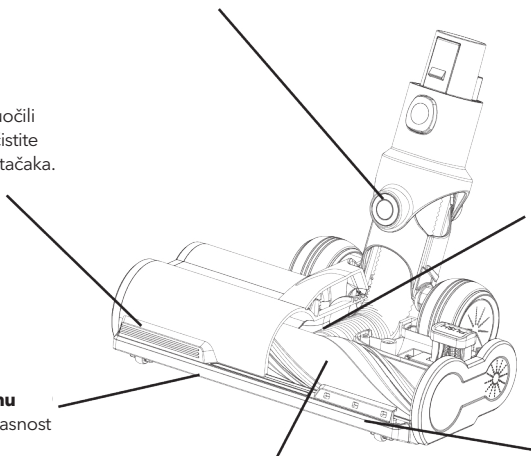
Poboljšajte efikasnost čišćenja.

Najlonska četka

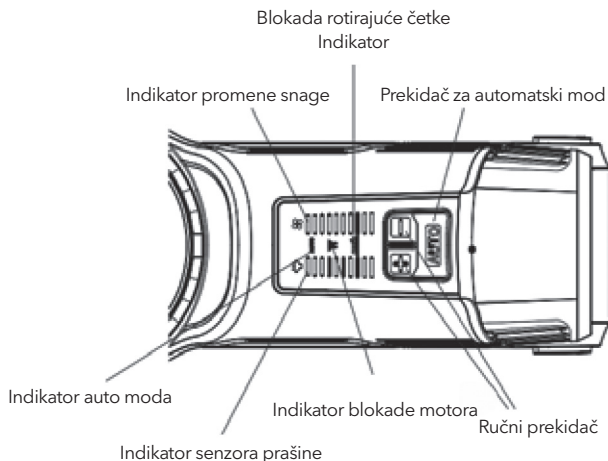
Dvoslojna fina najlon četka, ova četka je laka za skupljanje prljavštine između tepiha kratke vune i tvrdog poda.

Koliziona tampon traka

Otporna na habanje i ekološki prihvatljiva, ova traka štiti vaš parket.



Senzor prašine



INDIKATOR PROMENE SNAGE:

Ovo je opcija kad je uključen "AUTO MODE" da vidite promenu jačine snage.

INDIKATOR BLOKADA ROTIRAJUĆE ČETKE:

Indikator pokazuje da je motorna četka u papučici blokirana ili ne radi. Preporuka da se oslobodi četka za normalan rad ili očisti.

PREKIDAČ ZA AUTOMATSKI MOD:

Ovim prekidačem možete da uključite ili isključite "AUTO MODE". Rad usisivača u "Auto Mode" odnosi se da usisivač radi jednom jačinom usisne snage i kada uvuče veću količinu prašine I ona pređe preko senzora on detektuje tu prašinu i pojača usisnu snagu dok senzor detektuje da nema više prašine i vrati na prethodnu jačinu usisne snage.

INDIKATOR AUTO MODA :

Ovo je indikator da je uključen/isključen način čišćenja "AUTO MODE"

INDIKATOR SENZORA PRAŠINE :

Kada indikator uključi više od pola lampica potrebno je da se uradi čišćenje gornjeg HEPA filtera. Zanimarivanjem led indikatora može doći do neželjenih efekata: zapušeni Hepa filter, slabljenja usisne snage, uništenje motora .

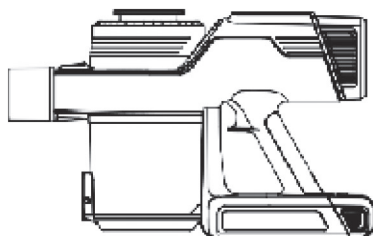
INDIKATOR BLOKADE MOTORA:

Ovo je indikator kada se zapuše dovodi vazduha, otežan ili je prekinut protok vazduha ka motoru na putanji podna četka , cev, posuda za prašinu, metalni filter, TOP HEPA filter, Back HEPA filter).

RUČNI PREKIDAČ:

Ovi prekidači (+ , -) služe da podesite jačinu usisavanja, postoji pet nivoa jačine.

SADRŽAJ PAKOVANJA



Telo - motorna jedinica



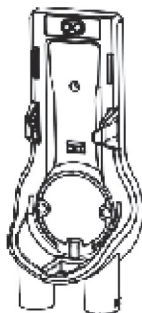
Električna četka



2u1 četka za prašinu



Alat za pukotine



Doking za punjenje



Adapter



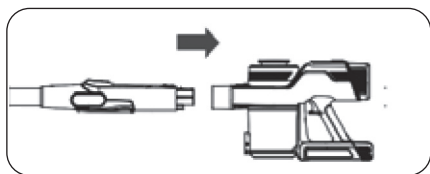
Duga aluminijumska cev sa fleksibilnim crevom

Zbog stalnog poboljšanja proizvoda, gornja konfiguracija će varirati u zavisnosti od modela. Zadržavamo ovo pravo. Pravo na objašnjenje ima kompanija.

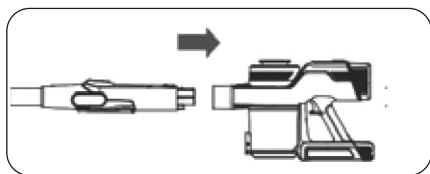
UPUTSTVO ZA UPOTREBU

Uputstvo za montažu aluminijumske cevi za usisavanje

- Gurnite kraj aluminijumske cevi horizontalno u vakuumski otvor na motornoj jedinici kako biste bili sigurni da je kompaktan i da nije olabavljen i da je instalacija uspešna nakon što se čuje zvuk "klika". (Slika 1)
- Da biste uklonili aluminijumsku cev, držite glavno telo jednom rukom i izvucite ga drugom rukom pritiskajući dugme. (slika 2)



Slika 1



Slika 2

Uputstvo za ugradnju električne četke

- Gurnite jedan kraj otvora okrugle četke u kraj cevi za izlaz vazduha da biste bili sigurni da je čvrsto i da nije labav; ako se čuje zvuk, on je uspešno instaliran (slika 3).
- Ako želite da uklonite četkicu, četkica se drži u jednoj ruci, a dugme se istovremeno pritisne drugom rukom i četkica će biti izvučena. (Slika 4)
- Električna četka takođe može da koristi metod povezivanja bez aluminijumske cevi, i da se direktno instalira na motornu jedinicu.



Slika 3



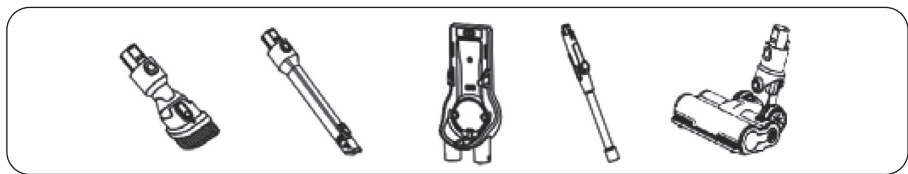
Slika 4

Pribor

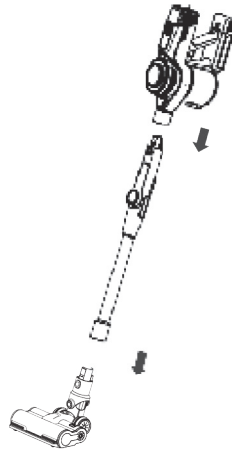
Uputstvo za korišćenje pribora

Pored upotrebe aluminijumske cevi i električne četke, možete koristiti četkicu 2 u 1 i dugačku mlaznicu da biste proizvod prilagodili svim situacijama (slika 5):

- 2 u 1 četka
Pogodan je za čišćenje malih prostorića, praznina ili nepravilnih površina objekata, kao što su uglovi zidova, otvor okvira prozora od legure, unutrašnjost kućnih aparata, fioke, auto jastuci, okviri za slike, plafoni, tastature itd.
- Dugačka mlaznica
Pogodan je za nezgodno čišćenje, kao što su uglovi, praznine itd.



Slika 5 (Pribor)



Slika (6, 7)

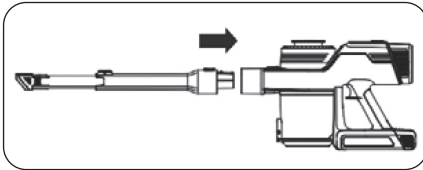
Pribor se može umetnuti na 2 različita načina: direktno na kraj fleksibilne cevi (režim 1) ili na kraj motorne jedinice (režim 2).

Režim 1: Uzmite dugu mlaznicu i umetnite je u kraj aluminijumske cevi dok ne čujete klik koji potvrđuje instalaciju. Da biste ga uklonili, povucite ga direktno.

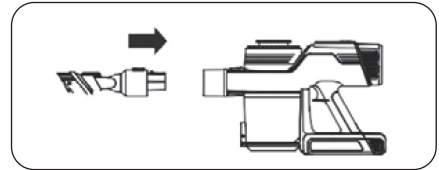
Uzmite pribor za četkicu 2-u-1 i uradite istu manipulaciju: umetnite ga u kraj aluminijumske cevi dok ne čujete klik koji potvrđuje instalaciju.

Da biste ga uklonili, povucite ga direktno. (Slika 6 i 7)

Režim 2: Da biste dodatke ubacili direktno u motornu jedinicu, ponovite operaciju (Slike 8 i 9).



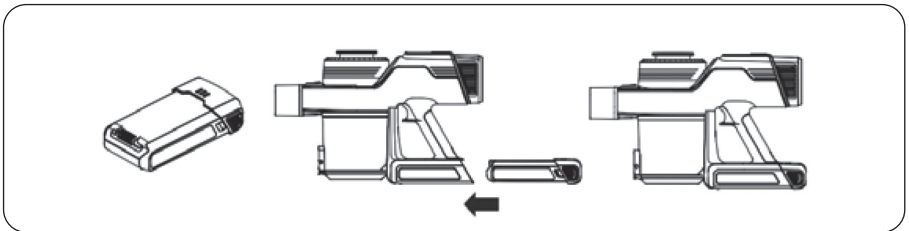
Slika 8



Slika 9

Uputstvo za ugradnju baterije

Instalirajte bateriju u mašinu u pravcu (Sl.10) i instalirajte je kao (Sl.11) da ne bi došlo do labavljenja. Ako se čuje zvuk klik, on je uspešno instaliran.



Slika 10

Slika 11

PAŽNJA:

Za dugotrajnu upotrebu, držite bateriju na hladnom i suvom mestu i ostavite je u polunapunjenom stanju. Zamotajte bateriju neprovodljivim materijalom da biste izbegli direktan kontakt sa baterijom koji može da ošteti bateriju.

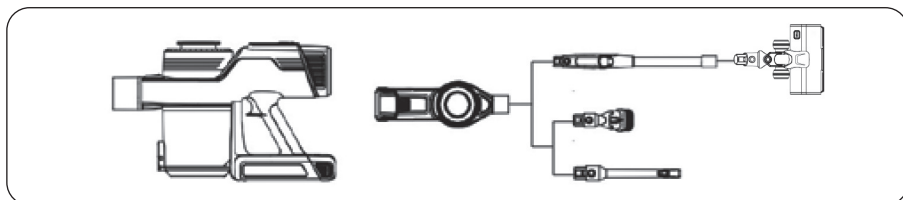
Upotreba

1. Priprema

Pre upotrebe, instalirajte bateriju i proverite da li je napunjena. Ako nije, napunite ga na vreme (pogledajte „Napunite proizvod“), može se koristiti nakon punjenja. Prema području čišćenja, pribor se može izabrati prema zahtevima. Kompanija je posebno opremljena raznim dodacima. Prema čistoj površini, upotreba se može izabrati prema čistoj površini. (pogledajte „Aneks uputstva za rad“ za više detalja)

2. Početak rada

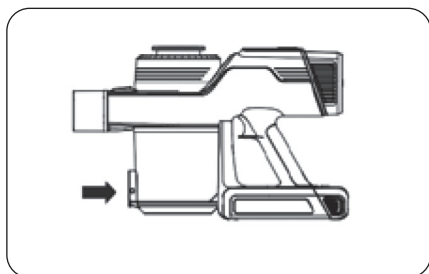
Pritisnite „dugme za uključivanje“ i dugme za dodir i mašina će početi da radi, ako treba da prestanete sa radom, ponovo pristinite „dugme za uključivanje“. (Slika 12)



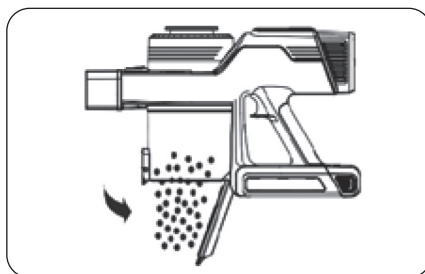
Slika 12

3. Pražnjenje posude za prašinu

Nakon što zaustavite mašinu, kucnite u ležište za prašinu sa strane cevi za prašinu (Sl. 13). Otvorite poklopac, izbacite prašinu i zatvorite poklopac rezervoara za prašinu. (Sl. 14)



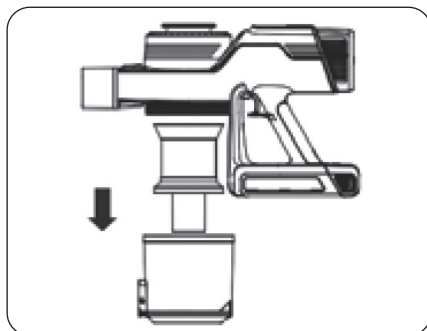
Slika 13



Slika 14

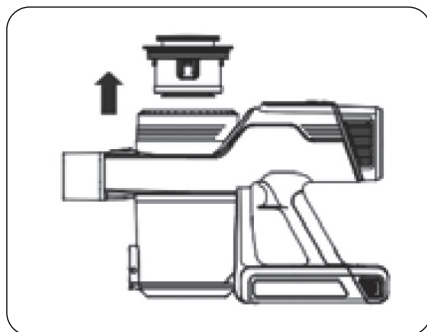
4. Rastavite kuciste filtera

Okrenite i uklonite posudu za prašinu, imate pristup filteru od nerđajućeg čelika i njega okrenite da biste ga uklonili. Uradite obrnuto da sklopite filter od nerđajućeg čelika i posudu za prašinu. (Sl. 15)



Slika 15

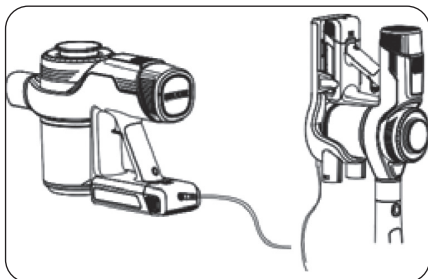
Uklonite poklopac i filterski element u smeru koji pokazuje strelica. (Sl. 16)



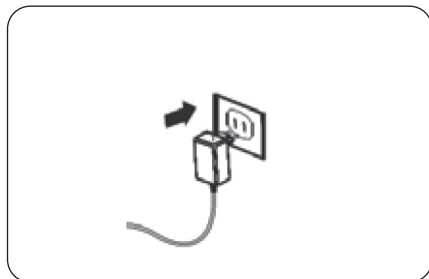
Slika 16

5. Punjenje (Baterije) proizvoda

Povežite punjač direktno na usisivač ili stanicu za punjenje (slika 17), a drugi kraj u zidnu utičnicu u vašem domu. (Slika 18)



Slika 17



Slika 18

Indikator punjenja

U radu: svetlo svetli neprekidno.

Delimično napunjen: LED treperi.

Potpuno napunjen: svetlo neprekidno svetli.

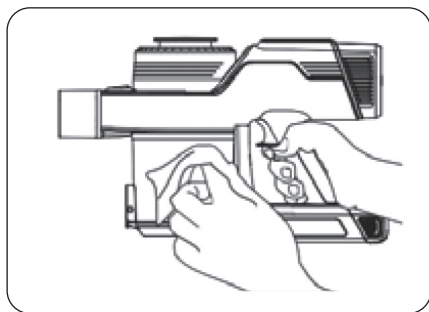
BELEŠKA

- Nakon što proizvod napusti fabriku svaka 3 meseca (zavisu od uslova), koristite naš punjač za punjenje baterije 3 sata
- Ne punite bateriju duže vreme, ako se i dalje puni nakon normalnog vremena punjenja, odmah prekinite, u suprotnom može doći do rizika kao što su zagrevanje baterije, deformacija ili gorenje.
- Kada baterija nije u upotrebi duže vreme ili kada je u dubokom pražnjenju, može se smanjiti vreme trajanja u prvih nekoliko puta. Preporučuje se potpuno pražnjenje i punjenje (obično oko 6 sati). Potrebno je samo ponoviti radnju dva puta.

ČIŠĆENJE I ODRŽAVANJE

Da ne biste uticali na performanse mašine, preporučuje se da redovno održavate njene komponente. Pre čišćenja glavnog tela (motorne jedinice), uverite se da mašina prestaje da radi i da se proizvod ne puni.

Pre ribanja, uverite se da je krpa suva. Nemojte infiltrirati vodu u unutrašnje delove usisivača (Sl. 19) Nakon čišćenja ne stavljajte ga na direktnu sunčevu svetlost ili na vlažno mesto.



Slika 19

Čišćenje posude za prašinu

Kada količina prašine dostigne vrednost „MAKS“, očistite je što je pre moguće i nemojte je prepuniti.

Da biste olakšali pražnjenje kante za otpatke, preporučuje se da uklonite aluminijumsku cev ili drugi pribor pre čišćenja.

Nakon što se mašina zaustavi, otvorite poklopac rezervoara za prašinu i izbacite prašinu. Ako se na unutrašnjem zidu posude za prašinu nađe tvrdokorna prljavština, pažljivo je obrišite mokrom krpom.

Nakon čišćenja, zatvorite poklopac rezervoara za prašinu i uverite se da je dugme za zaključavanje na mestu.

BELEŠKA

Nakon što obrišete unutrašnji zid posude za prašinu mokrom krpom, potrebno ga je staviti da se osuši ili ga osušiti suvom krpom.

Čišćenje izlaznog filtera

Da biste osigurali performanse proizvoda, preporučuje se da ga redovno čistite i menjate nakon 3-6 meseci. (u zavisnosti od upotrebe). Pritisnite i držite dugme za otpuštanje cevi za prašinu, uklonite telo i okrenite poklopac, uklonite poklopac filtera i obrišite prašinu sa filtera. (vidi sliku 16)

Ako se prašine nakupilo previše, dobro je operite i "DOBRO OSUŠITE" pre nego što stavite u motornu jedinicu.

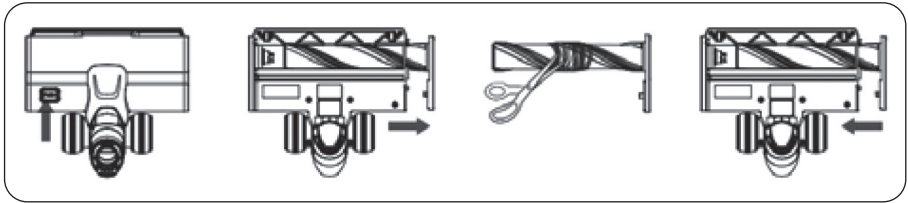
NAPOMENA!

Tokom pranja filtera koristite hladnu vodu i dobro ga osušite (obično na suncu više od 24h, a zatim ga vratite u motornu jedinicu.)

Četka za čišćenje

Preporučuje se da se četka očisti jednom nakon 4-5 puta električnom četkom:

1. Isključite napajanje i uklonite električnu četku.
2. Okrenite četkicu i okrenite dugme za zaključavanje na fiksnom poklopcu novčićem da biste otvorili bravu. (Slika 20)
3. Uklonite četkicu za valjak da biste fiksirali poklopac, podignite jedan kraj valjkaste četke i izvucite četku za valjak. (Slika 21)
4. Koristite makaze ili druge oštre instrumente za uklanjanje zadržane životinjske dlake i drugog otpada (slika 22).
5. Kada je čišćenje završeno, gurnite jedan kraj kotrljajuće četke u četku za pod, a zatim zakačite drugi kraj u četku za pod. (Slika 23)
6. Pokrijte poklopac i zaključajte ga.



Slika 20

Slika 21

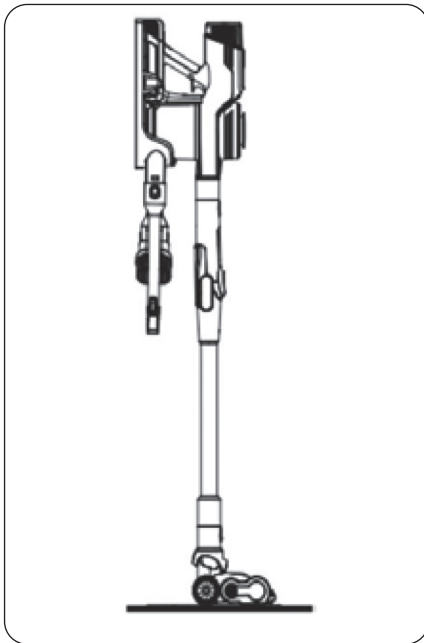
Slika 22

Slika 23

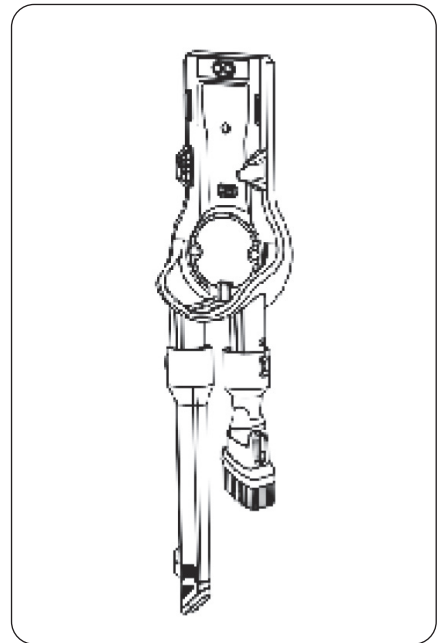
Postavljanje i skladištenje

Skladištenje na stalku za punjenje: lako se montira na zid , štedi prostor. (Slika 24)

Skladištenje pribora: lako za uzimanje, lako za sakupljanje. (Slika 25)



Slika 24



Slika 25

REŠAVANJE PROBLEMA

Analiza i tretman uobičajenih kvarova.

Problem	Mogući uzrok	Moguće rešenje
Usisivač ne radi.	Proizvod nema struju ili nema dovoljno snage.	Koristite ga nakon što je proizvod pun struje.
	Otvor za vakuum je blokiran	Očistite otvor za vakum.
Usis proizvoda se smanjuje.	Cev za prašinu i komponente filtera su puni prašine.	Očistite cev za prašinu i materijale za filter.
	Četka za valjanje je zapetljena sa kosom itd.	Očistite četku za valjanje.
	Nakon isključivanja gornje situacije, situacija ostaje ista.	Molimo kontaktirajte našu post prodajnu službu radi održavanja.
Motor radi uz nenormalan zvuk.	Glavna usisna cev ili aluminijumska cev je blokirana.	Uklonite prepreke unutar glavne usisne cevi, aluminijumske cevi.
	Nakon isključivanja gornje situacije, situacija ostaje ista.	Molimo kontaktirajte našu post prodajnu službu radi održavanja.
Proizvod se ne može dopuniti.	Baterija, motorna jedinaica i punjač nisu dobro povezani.	Proverite i dobro ga povežite.
	Nakon isključivanja gornje situacije, situacija ostaje ista.	Molimo kontaktirajte našu post prodajnu službu radi održavanja.

Ako gore navedeni koraci ne mogu ispravno da funkcionišu sa vašim uređajem, obratite se našem odeljenju za post prodajni servis za pomoć.

TEHNIČKE SPECIFIKACIJE

	Tehnički parametar
Radni napon (V)	25.2 V
Nazivna snaga (W)	400 W
Kapacitet baterije (mAh)	2500 mAh
Kapacitet posude za prašinu (L)	0.6 L
Vreme punjenja (h)	Između 3 to 5 sati
Kontinuirano vreme rada (min)	Do 60 min
Dimenzija proizvoda (mm)	369 x 125 x 227mm
Neto težina (kg)	2.65 kg

ODRICANJE GARANCIJE

Garancija ne pokriva habajuće delove proizvoda, kao ni probleme ili oštećenja koja su posledica:

1. propadanje površine usled normalnog habanja proizvoda;
2. defekti ili propadanje usled kontakta sa tečnostima i korozije izazvane rdom ili prisustvom insekata;
3. svaki incident, zloupotreba, preinaka, rastavljanje ili neovlašćena popravka
4. nepravilno održavanje, nepravilna upotreba proizvoda ili priključenje na neispravan napon;
5. svako korišćenje dodatne opreme koju nije isporučio ili nije odobrio proizvođač.

Garancija će biti poništena ako se ukloni natpisna pločica i/ili serijski broj proizvoda.

Odlaganje i odgovornost prema životnoj sredini

Da biste bili ekološki prihvatljivi, preporučujemo vam da svoj uređaj odlazite ispravno. Za više informacija možete kontaktirati lokalne vlasti ili centre za reciklažu.

ODLAGANJE



Prisustvo ovog logotipa na proizvodu znači da je odlaganje uređaja regulisano Direktivom 2012/19 / EU od 4. jula 2012. koja se odnosi na otpadnu električnu i elektronsku opremu (VEEE).

Svaka opasna supstanca sadržana u električnoj ili elektronskoj opremi može imati potencijalni uticaj na životnu sredinu i zdravlje tokom reciklaže. Shodno tome, na kraju radnog veka uređaja, ne sme se odlagati sa nesortiranim komunalnim otpadom.

Vaša uloga kao krajnjeg potrošača je od suštinskog značaja u smislu ponovne upotrebe, recikliranja i dobijanja drugih vrsta stvaranja vrednosti od ovog proizvoda. Imate izbor različitih sistema prikupljanja i razmene koje organizuju lokalne vlasti (centri za reciklažu) i distributeri. Morate iskoristiti ove mogućnosti.

ŽIVOTNI VEK BATERIJE



Ovaj uređaj sadrži bateriju koja se može zameniti.

Korišćene baterije moraju biti podržane sistemom selektivnog sakupljanja da bi se reciklirale čime se smanjuje uticaj na životnu sredinu.

Kada baterija dostigne kraj svog veka trajanja, morate je staviti u odgovarajući sistem za selektivno sakupljanje koji će se nositi sa njenim uništavanjem i/ili recikliranjem.

- Ako je kiselina iz baterije iscurila, izbegavajte kontakt sa kožom, očima i sluzokožom! Tečnost koja curi iz baterije može izazvati osp. Ako je kiselina ipak morala da dođe u kontakt sa kožom, odmah isperite zahvaćena mesta čistom vodom i odmah se obratite lekaru.
- Baterije moraju biti postavljene sa ispravnim polaritetom +/-.
- Nemojte puniti nepunjive baterije zbog opasnosti od eksplozije.

VAŽNO

Ni u kom slučaju ne odlazite uređaj ili bateriju na javni put.

Informacije za eksterno napajanje za Uredbu Komisije 2019 /1782/EU

	Vrednost
Ulazni napon	110V-120V / 220V-240V
Ulazna frekvencija naizmjenične struje	50/60 Hz
Izlazni napon	30 V
Izlazna struja	0.5 A
Izlazna snaga	15 W
Prosečna aktivna efikasnost	>86.8 %
Efikasnost pri malom opterećenju (10%)	>72 %
Potrošnja energije bez opterećenja	<0.1 W

TESLA

tesla.info

