

TESLA

BUILT-IN LARDER

RI1300H1

User Manual

ENG

BiH/
CG

HR

SRB



Product images are for illustrative purposes only and may differ from the actual product.

SAFETY INFORMATION


In the interest of your safety and to ensure the correct use, before installing and first using the appliance, read this user manual carefully, including its hints and warnings. To avoid unnecessary mistakes and accidents, it is important to ensure that all people using the appliance are thoroughly familiar with its operation and safety features. Save these instructions and make sure that they remain with the appliance if it is moved or sold, so that everyone using it through its life will be properly informed on appliance use and safety.


For the safety of life and property keep to the precautions of these user instructions as the manufacturer is not responsible for damages caused by omission.

Children and vulnerable people safety

- This appliance can be used by children aged of 8 years and above and persons with reduced physical, sensory or mental capabilities, or lack of experience and knowledge if they have supervision or have been given instructions concerning the use of the appliance in a safe way and understand the hazards involved.
- Children aged from 3 to 8 years are allowed to load and unload this appliance.
- Children should be supervised to ensure that they do not play with the appliance.
- Cleaning and user maintenance should not be done by children unless they are aged from 8 years and above and supervised.
- Keep all packaging well away from children. There is risk of suffocation.
- If you are discarding the appliance pull the plug out of the socket, cut the connection cable (as close to the appliance as you can) and remove the door to prevent playing children from suffering electric shock or closing themselves in.
- If this appliance features a magnetic door seal to replace an older appliance having a spring lock (latch) on the door or lid, be sure to make that spring lock unusable before you discard the old appliance. This will prevent it from becoming a death trap for a child.

General safety

 **WARNING!** Keep ventilation openings, in the appliance enclosure or in the built-in structure, clear of obstruction.

 **WARNING!** Do not use mechanical devices or other means to accelerate the defrosting process, other than those recommended by the manufacturer.

⚠ WARNING! Do not damage the refrigerant circuit.

⚠ WARNING! Do not use other electrical appliances (such as ice cream makers) inside of refrigerating appliances, unless they are approved for this purpose by the manufacture.

⚠ WARNING! Do not touch the light bulb if it has been on for a long period of time because it could be very hot.¹

⚠ WARNING! When positioning the appliance, ensure the supply cord is not trapped or damaged.

⚠ WARNING! Do not locate multiple portable socket-outlets or portable power suppliers at the rear of the appliance.

- Do not store explosive substances such as aerosol cans with a flammable propellant in this appliance.
- The refrigerant isobutene (R600a) is contained within the refrigerant circuit of the appliance, a natural gas with a high level of environmental compatibility, which is nevertheless flammable.
- During transportation and installation of the appliance, be certain that none of the components of the refrigerant circuit become damaged.
 - avoid open flames and sources of ignition
 - thoroughly ventilate the room in which the appliance is situated
- It is dangerous to alter the specifications or modify this product in any way. Any damage to the cord may cause a short circuit, fire and/or electric shock.
- This appliance is intended to be used in a household and similar applications such as
 - staff kitchen areas in shops, offices and other working environments;
 - farm houses and by clients in hotels, motels and other residential type environments;
 - bed and breakfast type environments;
 - catering and similar non-retail applications.

⚠ WARNING! Any electrical components (plug, power cord, compressor and etc.) must be replaced by a certified service agent or qualified service personnel.

⚠ WARNING! The light bulb supplied with this appliance is a "special use light bulb" usable only with the appliance supplied. This "special use lamp" is not usable for domestic lighting.¹

- Power cord must not be lengthened.
- Make sure that the power plug is not squashed or damaged by the back of the appliance. A squashed or damaged power plug may overheat and cause a fire.

¹ If there is a light in the compartment.

- Make sure that you can come to the main plug of the appliance.
- Do not pull the main cable.
- If the power plug socket is loose, do not insert the power plug. There is a risk of electric shock or fire.
- You must not operate the appliance without the lamp.
- This appliance is heavy. Care should be taken when moving it.
- Do not remove nor touch items from the freezer compartment if your hands are damp/wet, as this could cause skin abrasions or frost/freezer burns.
- Avoid prolonged exposure of the appliance to direct sunlight.

Daily use

- Do not put hot things on the plastic parts in the appliance.
- Do not place food products directly against the rear wall.
- Frozen food must not be re-frozen once it has been thawed out.²
- Store pre-packed frozen food in accordance with the frozen food manufacture, s instructions.²
- Appliance, s manufactures storage recommendations should be strictly adhered to. Refer to relevant instructions.
- Do not place carbonated or fizzy drinks in the freezer compartment as it creates pressure on the container, which may cause it to explode, resulting in damage to the appliance.²
- Ice lollies can cause frost burns if consumed straight from the appliance.²

To avoid contamination of food, please respect the following instructions

- Opening the door for long periods can cause a significant increase of the temperature in the compartments of the appliance.
- Clean regularly surfaces that can come in contact with food and accessible drainage systems.
- Clean water tanks if they have not been used for 48h; flush the water system connected to a water supply if water has not been drawn for 5 days.
- Store raw meat and fish in suitable containers in the refrigerator, so that it is not in contact with or drip onto other food.
- Two-star frozen-food compartments (if they are presented in the appliance) are suitable for storing pre-frozen food, storing or making ice-cream and making ice cubes.
- One-, two- and three -star compartments (if they are presented in the appliance) are not suitable for the freezing of fresh food.

² If there is a freezer compartment.

- If the appliance is left empty for long periods, switch off, defrost, clean, dry and leave the door open to prevent mould developing within the appliance.

Care and cleaning

- Before maintenance, switch off the appliance and disconnect the main plug from the power socket.
- Do not clean the appliance with metal objects.
- Do not use sharp objects to remove frost from the appliance. Use a plastic scraper.²
- Regularly examine the drain in the refrigerator for defrosted water. If necessary, clean the drain. If the drain is blocked, water will collect at the bottom of the appliance.³

Installation

- **IMPORTANT!** For electrical connection carefully follow the instructions given in specific paragraphs.
- Unpack the appliance and check if there are damages on it. Do not connect the appliance if it is damaged. Report possible damages immediately to the place you bought it. In that case retain packing.
- It is advisable to wait at least four hours before connecting the appliance to allow the oil to flow back in the compressor.
- Adequate air circulation should be provided around the appliance, lacking this leads to overheating. To achieve sufficient ventilation, follow the instructions relevant to installation.
- Wherever possible the spacers of the product should be against a wall to avoid touching or catching warm parts (compressor, condenser) to prevent possible burn.
- The appliance must not be located close to radiators or cookers.
- Make sure that the main plug is accessible after the installation of the appliance.

Service

- Any electrical work required to do the servicing of the appliance should be carried out by a qualified electrician or competent person.
- This product must be serviced by an authorized Service Center, and only genuine spare parts must be used.



² If there is a freezer compartment.


³ If there is a fresh-food storage compartment.

Energy saving

- Do not put hot food in the appliance;
- Do not pack food close together as this prevents air circulating;
- Make sure food does not touch the back of the compartment(s);
- If electricity goes off, do not open the door(s);
- Do not open the door(s) frequently;
- Do not keep the door(s) open for a long time;
- Do not set the thermostat on exceeding cold temperatures;
- All accessories, such as drawers, shelves balconies, should be kept there for lower energy consumption.

Environment Protection

 This appliance does not contain gasses which could damage the ozone layer, in either its refrigerant circuit or insulation materials. The appliance shall not be discarded together with the urban refuse and rubbish. The insulation foam contains flammable gases: the appliance shall be disposed according to the appliance regulations which can be obtained from your local authorities. Avoid damaging the cooling unit, especially the heat exchanger. The materials used on this appliance marked by the  symbol are recyclable.

 The symbol on the product or on its packaging indicates that this product may not be treated as household waste. Instead it should be taken to the appropriate collection point for the recycling of electrical and electronic equipment. By ensuring this product is disposed of correctly, you will help prevent potential negative consequences to the environment and human health, which could otherwise be caused by inappropriate waste handling of this product. For more detailed information about recycling of this product, please contact your local council, your household waste disposal service or the shop where you purchased the product.

Packaging materials

The materials with the symbol are recyclable.

Dispose the packaging in a suitable collection container to recycle it.

Disposal of the appliance

1. Disconnect the mains plug from the mains socket.
2. Cut off the mains cable and discard it.

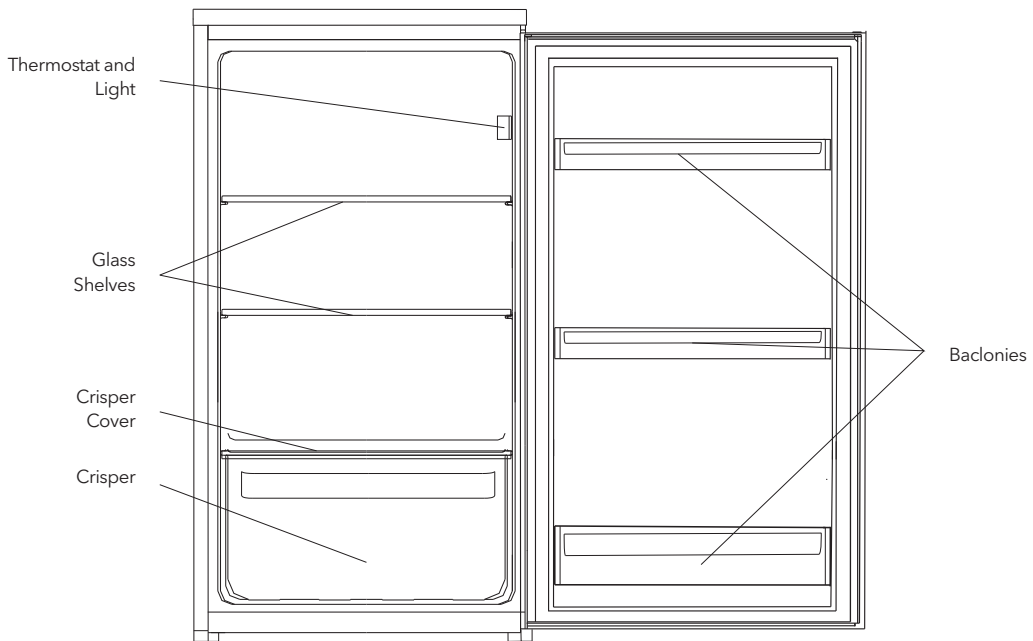
**WARNING!**

During using, service and disposal the appliance, please pay attention to symbol similar as left side, which is located on rear of appliance (rear panel or compressor) and with yellow or orange color.

It's risk of fire warning symbol. There are flammable materials in refrigerant pipes and compressor.

Please be far away fire source during using, service and disposal.

OVERVIEW



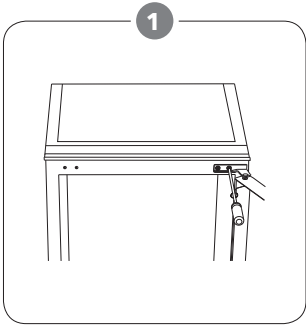
Note: Above picture is for reference only. Real appliance probably is different.

INSTALLATION

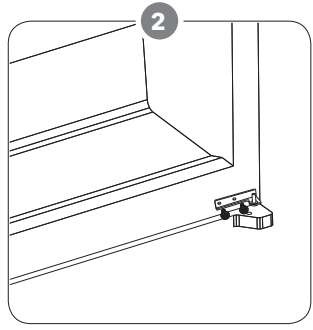
Reverse Door

Tools required: Philips screwdriver, Flat bladed screwdriver.

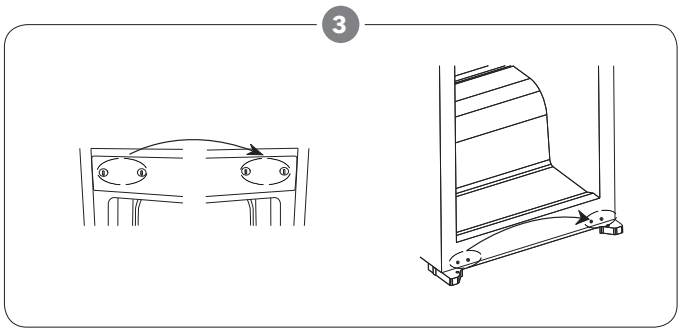
- Ensure the unit is unplugged and empty.
- To take the door off, it is necessary to tilt the unit backwards. You should rest the unit on something solid so that it will not slip during the door reversing process.
- All parts removed must be saved to do the reinstallation of the door.
- Do not lay the unit flat as this may damage the coolant system.
- It's better that 2 people handle the unit during assembly.



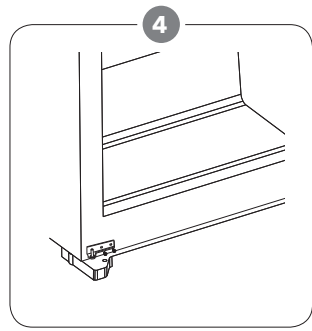
1
Unscrew the top hinge. Then lift the door and place it on a padded surface to avoid scratching.



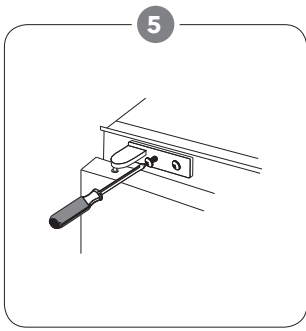
2
Unscrew bottom hinge.



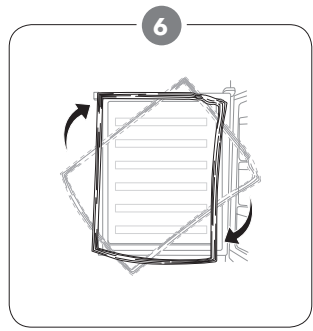
3
Unscrew and move screw holes at top and bottom of cabinet from left to right.



4
Turn over the top hinge and install it at bottom of left side.



5
Place the door back on. Ensure the door is aligned horizontally and vertically so that the seal are closed on all sides before finally tightening the hinge. Then turn over removed bottom hinge and insert it and screw it to the top front of the unit.



6
Detach the Fridge and the Freezer door gaskets and then attach them after rotating.

Kits for installation



Guide x 2



Guide cover x 2



Slider x 2



Slider cover x 2



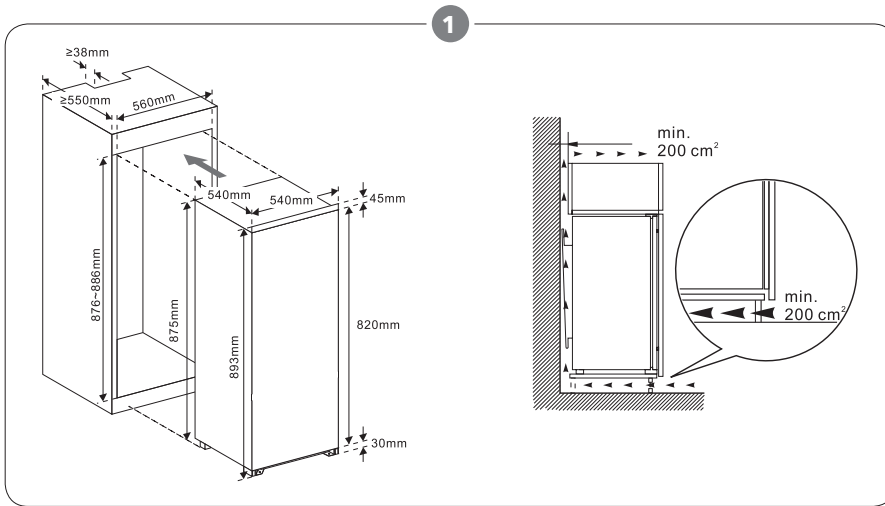
Screw x 15



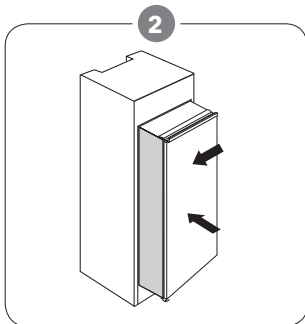
Rubber Seal x 1

Install the appliance

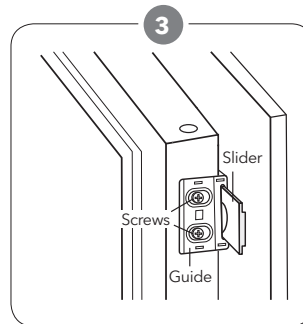
Tool required: Philips screwdriver, Flat bladed screwdriver, Band tape, Pencil.



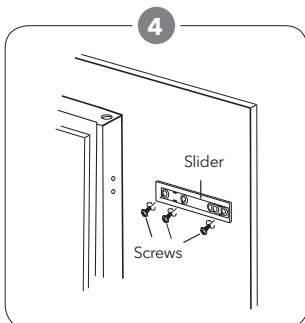
Ensure the size of cabinet and ventilation are enough.



Slowly and carefully push the appliance into the cabinet. Ensure the opening side is as close to the cabinet wall as possible.



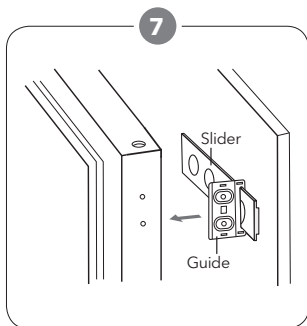
If screws in front of door are present, remove them first. Screw a guide to holes in the side of appliance door. Insert the slider into the guide, then fully open and close appliance door and wooden door to check whether wooden door can close totally and smoothly.



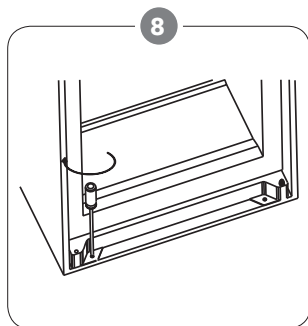
Open appliance door and wooden door together and mark the position of slider when the slider can function well at all angle during door closes or opens. Take slider out of guide and fix slider with wooden door by three screws.

5 Unscrew the guide from appliance door.

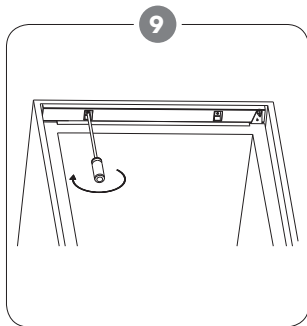
6 Repeat step 2 to 5 to fix another slider and cover.



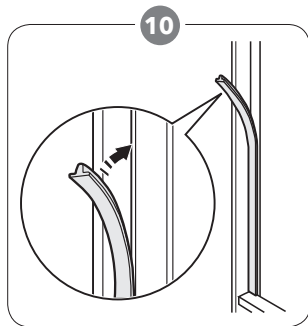
Fit two guides with sliders and fix them with screws. Then fix guide covers with guides.



Double check the door can close and open smoothly and appliance is sealed well. If not, slightly adjust the unit. Then fix bottom bracket with wooden cabinet.



Fix top bracket with wooden cabinet.



Attached rubber seal to the gap between unit and wooden cabinet at door open side.

Positioning

Install this appliance at a location where the ambient temperature corresponds to the climate class indicated on the rating plate of the appliance:

for refrigerating appliances with climate class:

- extended temperate: this refrigerating appliance is intended to be used at ambient temperatures ranging from 10 °C to 32 °C;(SN)
- temperate: this refrigerating appliance is intended to be used at ambient temperatures ranging from 16 °C to 32 °C;(N)
- subtropical: this refrigerating appliance is intended to be used at ambient temperatures ranging from 16 °C to 38 °C;(ST)
- tropical: this refrigerating appliance is intended to be used at ambient temperatures ranging from 16 °C to 43°C;(T)

Location

The appliance should be installed well away from sources of heat such as radiators, boilers, direct sunlight etc.

WARNING!

It must be possible to disconnect the appliance from the mains power supply; the plug must therefore be easily accessible after installation.

Electrical connection

Before plugging in, ensure that the voltage and frequency shown on the rating plate correspond to your domestic power supply. The appliance must be earthed. The power supply cable plug is provided with a contact for this purpose. If the domestic power supply socket is not earthed, connect the appliance to a separate earth in compliance with current regulations, consulting a qualified electrician.

The manufacturer declines all responsibility if the above safety precautions are not observed.

This appliance complies with the E.E.C. Directives.

DAILY USE

First use

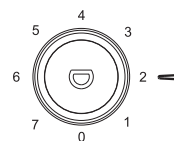
Cleaning the interior

Before using the appliance for the first time, wash the interior and all internal accessories with lukewarm water and some neutral soap so as to remove the typical smell of a brand new product, then dry thoroughly.

IMPORTANT! Do not use detergents or abrasive powders, as these will damage the finish.

Temperature Setting

- Plug on your appliance. The internal temperature is controlled by a thermostat. There are 8 settings . 1 is warmest setting and 7 is coldest setting and 0 is off.
- The appliance may not operate at the correct temperature if it is in a particularly hot or if you open the door often.



Daily use

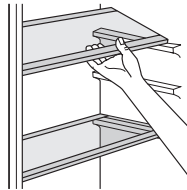
Position different food in different compartments according to be below table.

Refrigerator compartments	Type of food
Door or balconies of fridge compartment	<ul style="list-style-type: none"> Food with natural preservatives, such as jams, juices, drinks, condiments. Don't store perishable foods.
Crisper drawer (salad drawer)	<ul style="list-style-type: none"> Fruit, herbs and vegetables should be placed separately in the crisper bin. Don't store bananas, onions, potatoes, garlic in the refrigerator.
Fridge shelf- middle	<ul style="list-style-type: none"> Daily products eggs.
Fridge shelf- top	<ul style="list-style-type: none"> Foods that do not need cooking, such as ready-to-eat foods, deli meats, leftovers.

Accessories

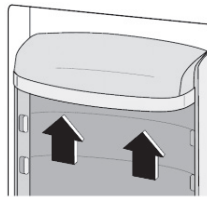
Movable shelves

The walls of the refrigerator are equipped with a series of runners so that the shelves can be positioned as desired.



Positioning the door balconies

To permit storage of food packages of various sizes, the door balconies can be placed at different heights. To make these adjustments proceed as follows: gradually pull the balcony in the direction of the arrows until it comes free, then reposition as required.



HELPFUL HITS AND TIPS

Hints for fresh food refrigeration

To obtain the best performance:

- Do not store warm food or evaporating liquids in the refrigerator
- Do cover or wrap the food, particularly if it has a strong flavor

Hints for refrigeration

- Make (all types): wrap in polythene bags and place on the glass shelves above the vegetable drawer.
- For safety, store in this way only one or two days at the most.
- Cooked foods, cold dishes, etc...: these should be covered and may be placed on any shelf.
- Fruit and vegetables: these should be thoroughly cleaned and placed in the special drawer(s) provided.
- butter and cheese: these should be placed in special airtight containers or wrapped in aluminum foil or polythene bags to exclude as much air as possible.
- Milk bottle: these should have a cap and should be stored in the balconies on the door.
- Bananas, potatoes, onions and garlic, if not packed, must not be kept in the fridge.

Temperature setting recommendation

Environment Temperature	Freezer compartment	Fridge compartment
Summer	/	<p>Set on 3-4</p>
Normal	/	<p>Set on 3-4</p>
Winter	/	<p>Set on 2-3</p>

Information above give users recommendation of temperature setting.

Impact on Food Storage

- Under Recommended setting, the best storage time of fridge is no more than 3 days.
- The best storage time may reduce under other settings.

Cleaning

For hygienic reasons the appliance interior, including interior accessories, should be cleaned regularly.

! CAUTION!

The appliance may not be connected to the mains during cleaning. Danger of electrical shock! Before cleaning switch the appliance off and remove the plug from the mains, or switch off or turn out the circuit breaker or fuse. Never clean the appliance with a steam cleaner. Moisture could accumulate in electrical components, danger

of electrical shock! Hot vapors can lead to the damage of plastic parts. The appliance must be dry before it is placed back into service.

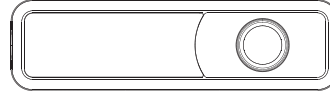
IMPORTANT! Ethereal oils and organic solvents can attack plastic parts, e.g. lemon juice or the juice from orange peel, butyric acid, cleanser that contain acetic acid.

- Do not allow such substances to come into contact the appliance parts.
- Do not use any abrasive cleaners
- Remove the food from the freezer. Store them in a cool place, well covered.
- Switch the appliance off and remove the plug from the mains, or switch off the circuit breaker or fuse.

- Clean the appliance and the interior accessories with a cloth and lukewarm water. After cleaning wipe with fresh water and rub dry.
- After everything is dry place appliance back into service.

Replace the lamp

The internal light is a LED type. To replace the lamp, please contact qualified technician.



TROUBLESHOOTING

! CAUTION!

Before troubleshooting, disconnect the power supply. Only a qualified electrician of competent person must do the troubleshooting that is not in this manual.

IMPORTANT! There are some sounds during normal use (compressor, refrigerant circulation).

Problem	Possible cause	Solution
Appliance does not work	Temperature regulation knob is set at number "0".	Set the knob at other number to switch on the appliance.
	Mains plug is not plugged in or is loose.	Insert mains plug.
	Fuse has blown or is defective.	Check fuse, replace if necessary.
	Socket is defective.	Mains malfunctions are to be corrected by an electrician.
The food is too warm	Temperature is not properly adjusted.	Please look in the initial Temperature Setting section.
	Door was open for an extended period.	Open the door only as long as necessary.
	A large quantity of warm food was placed in the appliance within the last 24 hours.	Turn the temperature regulation to a colder setting temporarily.
	The appliance is near a heat source.	Please look in the installation location section.
Appliance cools too much	Temperature is set too cold.	Turn the temperature regulation knob to a warmer setting temporarily.
Unusual noises	Appliance is not level.	Re-adjust the feet.
	The appliance is touching the wall or other objects.	Move the appliance slightly.
	A component, e.g. a pipe, on the rear of the appliance is touching another part of the appliance or the wall.	If necessary, carefully bend the component out of the way.
Water on the floor	Water drain hole is blocked.	See the Cleaning section.

If the malfunction shows again, contact the Service Center.

BEZBEDNOSNA UPUTSTVA

Radi sopstvene bezbjednosti obezbedite sigurnu upotrebu, prije instalacije i prve upotrebe uređaja, pročitajte ovo korisničko uputstvo, uključujući i savjete i upozorenja. Da biste izbjegli nepotrebne greške i nezgode, važno je da se postarate da sve osobe koje koriste uređaj budu detaljno upoznate s njegovim operacijama i bezbjedonosnim funkcijama. Sačuvajte ova uputstva i pobrinite se da budu u sklopu uređaja ako bude premješten ili prodat, kako bi svako, ko ga koristi tokom svog života bio upoznat sa pravilnom upotrebom i bezbjednošću uređaja.


Imajte na umu ovo korisničko uputstvo radi svoje lične sigurnosti i sigurnosti imovine, budući da proizvođač nije odgovoran za štetu učinjenu propustima.

Bezbjednost djece i nesamostalnih osoba

- Ovaj uređaj mogu koristiti djeca starosti 8 ili više godina i osobe sa smanjenim fizičkim, čulnim ili mentalnim sposobnostima, ili manjkom iskustva i znanja ukoliko su pod nadzorom, ili su im data uputstva u vezi sa bezbjednom upotrebom uređaja, i svjesni su mogućeg rizika.
- Djeci uzrasta od 3 do 8 godina je dozvoljeno da stavljaju predmete u i uzimaju predmete iz ovog uređaja.
- Djeca bi trebalo da budu pod nadzorom, kako biste osigurali da se ne igraju uređajem.
- Čišćenjem i održavanjem ne bi trebalo da se bave djeca, osim ako nisu starosti 8 ili više godina i moraju biti pod obaveznim nadzorom.
- Svu ambalažu čuvajte van domašaja djece. Postoji opasnost od gušenja.
- Ukoliko ste odlučili da više ne koristite uređaj, prekinite napajanje uređaja strujom, presijecite kabl za napajanje (što je bliže moguće uređaju) i uklonite vrata, kako biste spriječili mogućnost da djeca, koja se igraju, pretrpe strujni udar ili se zatvore u uređaj.
- Ukoliko ovaj uređaj ima magnetnu gumu na vratima, a želite da njime zamijenite stariji uređaj, koji se zatvarao pomoću opruge na vratima ili poklopcu, onemogućite funkcionisanje zatvaranja starijeg uređaja pomoću opruge. Na ovaj način ćete spriječiti da uređaj postane smrtonosna zamka za dijete.

Opšta bezbjednost

 UPOZORENJE! Održavajte ventilacione otvore u kućištu frižidera ili ugradnoj strukturi čistima od začepljenja.

 UPOZORENJE! Nemojte koristiti mehaničke uređaje ili druge naprave kako biste ubrzali proces odmrzavanja, osim proizvoda preporučenih od strane proizvođača uređaja.

⚠ UPOZORENJE! Nemojte oštetiti sistem za hlađenje.

⚠ UPOZORENJE! Nemojte stavljati druge električne uređaje (kao što su uređaji za pravljenje sladoleda) u uređaj za hlađenje, osim ako ih proizvođač nije odobrio u ovu svrhu.

⚠ UPOZORENJE! Ne dirajte sijalicu ukoliko radi duže vremena, jer može biti veoma vruća.¹

⚠ UPOZORENJE! Prilikom postavljanja uređaja, uvjerite se da ništa ne pritiska priključni kabl, kao i da kabl nije oštećen.

⚠ UPOZORENJE! Ne postavljajte višestruke prenosive utičnice ili prenosivo napajanje iza uređaja.

- Nemojte čuvati eksplozivne supstance, kao što su ambalaže sprejeva sa zapaljivim gasom u ovom uređaju.
- Supstanca za hlađenje, izobutan (R600a), se nalazi u sistemu za hlađenje uređaja, to je prirodni gas s visokim nivoom ekološke kompatibilnosti, ali izuzetno zapaljiv.
- obrinite se da tokom transporta ili postavljanja uređaja ne bude oštećena nijedna komponenta sistema za hlađenje uređaja.
 - izbjegavajte otvoren plamen i izvore zapaljivosti
 - temeljno provjetrite prostoriju, u kojoj se nalazi uređaj
- Opasno je menjati specifikacije ili modifikovati proizvod na bilo koji način. Bilo kakvo oštećenje kabla može prouzrokovati kratak spoj, požar i/ili strujni udar.
- Ovaj uređaj je namenjen za upotrebu u domaćinstvima i za slične primjene, kao što su
 - prostori za zaposlene u kuhinji, u prodavnicama, kancelarije i druga radna okruženja;
 - poljoprivredna domaćinstva i od strane hotelskih i motelskih gostiju, kao i drugih vrsta ovakvih objekata;
 - objekti koji pružaju uslugu noćenja sa doručkom;
 - catering i slične neprodajne namjene.

⚠ UPOZORENJE! Bilo koju električnu komponentu (utikač, kabl za napajanje, kompresor itd.) mora zamijeniti ovlašćeni serviser ili kvalifikovano osoblje.

⚠ UPOZORENJE! Sijalica, dostavljena sa ovim uređajem, je "sijalica za specijalnu namjenu" i može se koristiti samo za uređaj uz koji je dostavljena. Ova "sijalica za specijalnu namjenu" se ne može koristiti za kućno osvjetljenje¹

- Kabl za napajanje se ne smije produžavati.
- Provjerite da li je utikač, na zadnjoj strani uređaja, zgnječen ili oštećen.

¹ Ukoliko u uređaju postoji.

Zgnječen ili oštećen utikač može dovesti do pregrijavanja i izazvati požar.

- Pobrinite se da vam glavni utikač uređaja bude dostupan.
- Nemojte izvlačiti glavni kabl.
- Ukoliko utičnica nije fiksirana, nemojte priključivati aparat. Postoji rizik od strujnog udara ili vatre.
- Ne smijete raditi ništa na uređaju bez osvetljenja.
- Uređaj je težak. Budite oprezni tokom pomijeranja uređaja.
- Nemojte uklanjati ili dodirivati elemente iz dijela za zamrzavanje ako su vam ruke vlažne/mokre, budući da to može prouzrokovati ogrebotine ili promrzline na koži.
- Izbjegavajte duže izlaganje aparata direktnoj sunčevoj svjetlosti.

Dnevna upotreba

- Ne stavljajte vruće stvari na plastične dijelove uređaja.
- Ne stavljate prehrambene proizvode uza zadnji zid.
- Zamrznuta hrana se ne smije ponovo zamrzavati nakon što se otopi.²
- Već zapakovanu zamrznutu hranu čuvajte u skladu sa instrukcijama proizvođača, u vezi sa zamrznutom hranom.²
- Striktno se pridržavajte preporuka proizvođača u pogledu držanja stvari u uređaju. Pridržavajte se relevantnih instrukcija.
- Ne stavljate gazirana pića u dio za zamrzavanje, budući da to stvara pritisak, koji može prouzrokovati pucanje ambalaže, što može dovesti do oštećenja uređaja.²
- Voćni sladoledi mogu izazvati promrzline ukoliko se konzumiraju odmah po uzimanju iz uređaja.²

Kako biste izbjegli kontaminiranje hrane, pratite sledeća uputstva

- Držanje uređaja otvorenim tokom dugih vremenskih perioda može da dovede do značajnog rasta temperature unutar odjeljaka uređaja.
- Redovno čistite površine koje mogu da dođu u dodir sa hranom, kao i pristupačne dijelove odvodnog sistema.
- Očistite rezervoare za vodu ukoliko ih niste koristili tokom vremenskog perioda dužeg od 48 h; ukoliko tokom vremenskog perioda od 5 dana niste uzimali vodu iz uređaja, isperite sistem za protok vode vodom iz vodovodne mreže.
- Sirovo meso i ribu unutar frižidera držite u odgovarajućim posudama, kako ove namirnice ne bi došle u dodir sa ili kako ne bi kapale po ostaloj hrani.
- Odjeljci za smrznutu hranu označeni sa dvije zvjezdice (ukoliko postoje u okviru uređaja) pogodni su za držanje prethodno smrznute hrane, za držanje ili pravljenje sladoleda i za pravljenje kockica leda.

² Ukoliko postoji dio za zamrzavanje.

- Odjeljci označeni jednom, dvijema i trima zvjezdicama (ukoliko postoje u okviru uređaja) nijesu pogodni za zamrzavanje svježe hrane.
- Ukoliko će uređaj biti prazan tokom dužeg vremenskog perioda, isključite ga, odledite, očistite i osušite, a zatim ostavite vrata uređaja otvorenim kako biste spriječili razvoj buđi u unutrašnjosti uređaja.

Održavanje i čišćenje

- Prije održavanja, isključite uređaj, ili prekinite dotok električne energije.
- Uređaj nemojte čistiti metalnim predmetima.
- Ne koristite oštre predmete, da bi uklonili led sa uređaja. Koristite plastična sredstva za struganje. ²
- Redovno provjeravajte odvod za odleđenu vodu u frižideru. Ukoliko je potrebno, očistite odvod. Ukoliko je odvod blokiran, voda će se sakupljati na dnu uređaja. ³

Instalacija uređaja

- **VAŽNO!** Za priključivanje na električnu mrežu, pažljivo pratite uputstva data u specifičnim dijelovima uputstva.
- Raspakujte uređaj i provjerite da li postoje na njemu oštećenja. Ne povezujte uređaj na struju, ukoliko je oštećen. Moguća oštećenja odmah prijavite u mjestu gdje ste ga kupili. U tom slučaju zadržite ambalažu uređaja.
- Preporučuje se, da sačekate najmanje četiri sata prije nego što priključite uređaj, kako bi se ulje vratilo u kompresor.
- Potrebno je obezbijediti adekvatno strujanje vazduha oko uređaja, nepostojanje ovoga može dovesti do pregrijavanja. Za postizanje odgovarajućeg protoka vazduha, pratite uputstva potrebna za instalaciju uređaja.
- Gdje god je moguće, razmaknica mora biti postavljena između uređaja i zida, kako bi se izbjeglo dodirivanje ili hvatanje za vruće dijelove (kompresor, kondenzator) kako bi se izbjegle moguće opekotine.
- Uređaj ne smije biti postavljen blizu radijatora ili štednjaka.
- Pobrinite se da bude obezbijeđen lak pristup glavnom utikaču i nakon postavljanja uređaja.

Servisiranje

- Bilo kakvo servisiranje uređaja, koje zahtjeva električne radove, treba da bude obavljen od strane kvalifikovanog električara ili kompetentne osobe.

² Ukoliko postoji dio za zamrzavanje.


³ Ukoliko postoji dio za čuvanje svježe hrane.


- Samo ovlašćeni centar za servisiranje može obaviti popravke na uređaju, i mogu se koristiti samo originalni rezervni dijelovi.

Ušteda energije

- Ne stavljajte vruću hranu u uređaj;
- Ne pakujte svu hranu zajedno, budući da to sprječava cirkulaciju vazduha;
- Pobrinite se da hrana ne dotiče zadnji dio pregrade(a);
- Ukoliko nestane struje, ne otvarajte vrata;
- Ne otvarajte često vrata;
- Ne držite vrata otvorena drugo;
- Nemojte postavljati termostat na izuzetno niske temperature
- Potrebno je sve dodatne elemente, poput fioka, polica, polica u vratima uređaja, tamo držati u cilju smanjenja utroška energije.

Zaštita životne sredine

 Ovaj uređaj ne sadrži gasove, koji mogu oštetiti ozonski omotač, ni u sistemu za hlađenje, ni u materijalima za izolaciju. Uređaj ne bi trebalo odlagati zajedno sa gradskim ili kućnim otpadom. Izolaciona pjena sadrži zapaljive gasove: uređaj bi trebalo odložiti u skladu sa propisima za uređaje, koje su izdale lokale vlasti. Izbjegavajte pravljenje oštećenja dijela za hlađenje, posebno dijela za razmjenu toplote. Materijali korišćeni za ovaj uređaj, mogu se reciklirati ukoliko su označeni simbolom za reciklažu. ♻

 Oznaka na proizvodu, ili njegovom pakovanju, ukazuje da ovaj proizvod ne smije biti tretiran kao otpad nastao u domaćinstvu. Umjesto toga, treba ga ostaviti na odgovarajućem mjestu, na kojem se sakuplja električna i elektronska oprema.

Osiguravanjem da je proizvod ispravno odložen, pomoćićete sprečavanju potencijalnih negativnih posljedica po životnu sredinu i ljudsko zdravlje, koje inače mogu biti uzrokovane nepravilnim odlaganjem otpada ovog uređaja. Za više detalja o recikliranju ovog proizvoda, molimo vas da kontaktirate svoju lokalni organ za zaštitu životne sredine, preduzeće za odlaganje komunalnog otpada ili prodavnicu, u kojoj ste kupili proizvod.

Materijali ambalaže

Materijali označeni ovim simbolom mogu se reciklirati. Ambalažu odložite u odgovarajući konterjner za prikupljanje otpada za reciklažu.

Odlaganje uređaja

1. Prekinite napajanje uređaja strujom.
2. Odsijecite kabl za napajanje i odložite ga.

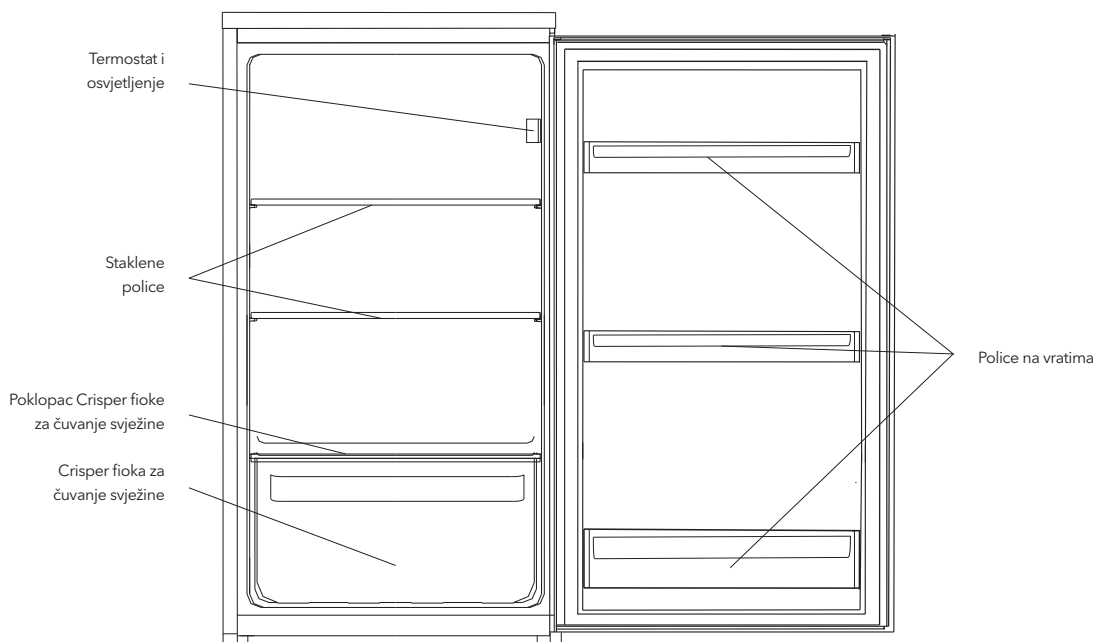


UPOZORENJE!

Prilikom upotrebe, servisiranja i odlaganja uređaja, imajte u vidu oznaku nalik oznaci prikazanoj na slici lijevo, koja se nalazi na zadnjem dijelu uređaja (tabla ili kompresor na zadnjem delu uređaja), a koja je žute ili narandžaste boje.

Ova oznaka predstavlja simbol rizika od požara. U cijevima za rashladno sredstvo i u kompresoru se nalaze zapaljivi materijali. Molimo Vas da tokom upotrebe, servisiranja i odlaganja, uređaj držite dalje od izvora požara.

PREGLED PROIZVODA



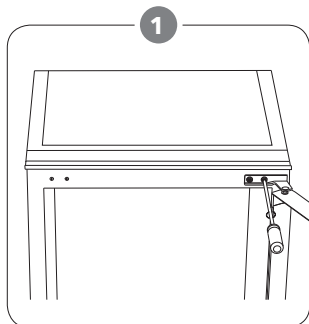
Napomena: Slika iznad je namijenjena isključivo u ilustrativne svrhe. Konkretni uređaj će se najvjerovatnije razlikovati.

UGRADNJA UREĐAJA

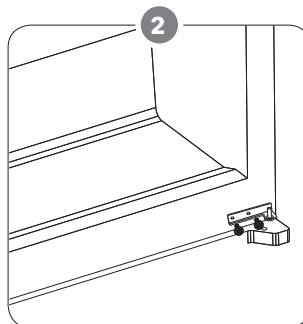
Promjena smjera otvaranja vrata

Potreban alat: krstasti odvijač, ravni odvijač.

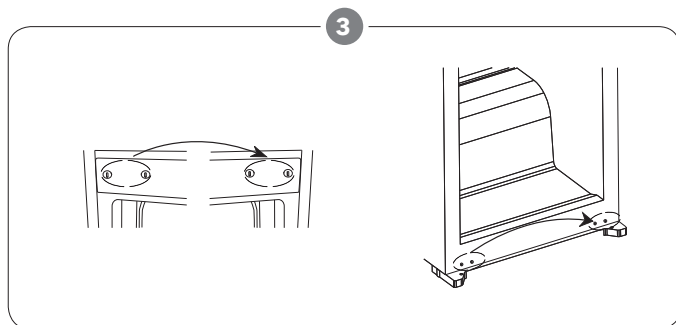
- Uvjerite se da je jedinica isključena iz utičnice i ispražnjena.
- Da biste skinuli vrata, potrebno je da jedinicu nakrenete unazad. Jedinicu bi trebalo da oslonite na neku čvrstu površinu, kako ne bi proklizala u toku postupka promjene smjera otvaranja vrata.
- Sve djelove koje ste skinuli morate sačuvati kako biste ponovo namontirali vrata.
- Nemojte stavljati jedinicu u horizontalni položaj, jer se tako može oštetiti sistem za protok rashladnog sredstva.
- Najbolje je da, prilikom sklapanja, jedinicom rukuju 2 osobe.



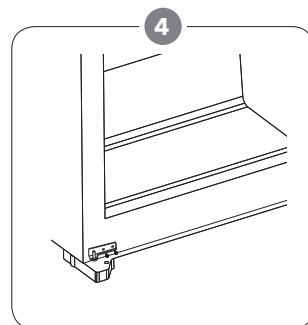
Odšrafite gornju šarku. Zatim podignite vrata i smjestite ih na obloženu površinu kako biste spriječili nastanak ogrebotina.



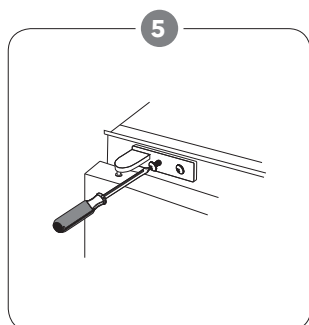
Odšrafite donju šarku.



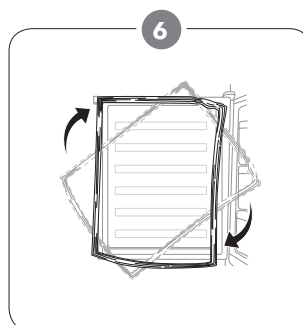
Odšrafite i premjestite otvore za šrafove za vrha i dna kućišta sa lijeve na desnu stranu.



Okrenite gornju šarku i postavite je na dno sa lijeve strane.



Ponovo postavite vrata. Prije nego što konačno pričvrstite šarke, uvjerite se da su vrata i horizontalno i vertikalno u ravni sa otvorom, tako da zaptivka naliježe sa svih strana. Zatim okrenite donju šarku, koju ste prethodno skinuli, i postavite je i pričvrstite na prednju gornju stranu jedinice.



Izvadite zaptivke sa vrata frižidera i zamrzivača, a zatim ih ponovo pričvrstite, nakon što ih prethodno zarotirate.

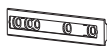
Komplet za postavljanje uređaja



Vodica x 2



Poklopac vodice x 2



Klizač x 2



Poklopac klizača x 2



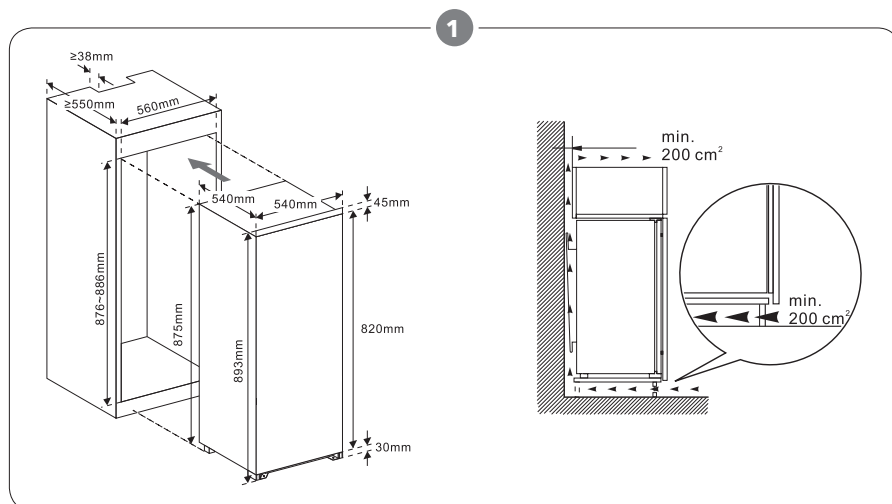
Šraf x 15



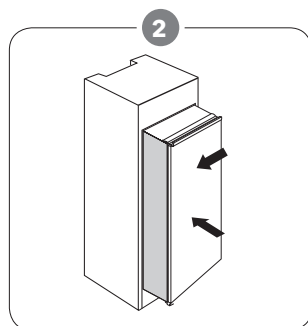
Gumena zaptivka x 1

Postavljanje uređaja

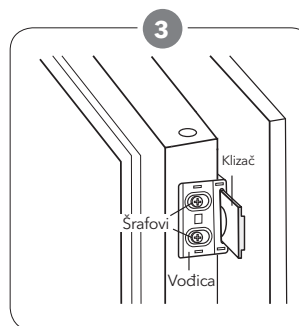
Potreban alat: krstasti odvijač, ravni odvijač, selotejp, olovka.



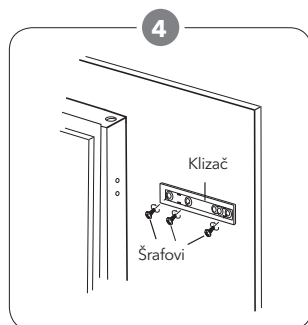
Uvjerite se da je veličina prostora unutar ugradnog dijela i dijela za ventilaciju zadovoljavajuća.



Polako i pažljivo gurnite uređaj u ugradni dio. Uvjerite se da je strana sa koje se vrata otvaraju što je moguće bliže zidu ugradnog dijela.



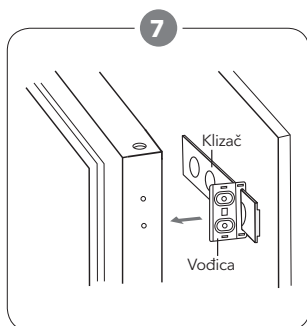
Ukoliko na prednjem dijelu vrata postoje šrafovi, najpre ih skinite. Pričvrstite vodicu na otvore koji se nalaze sa strane vrata uređaja. Umetnite klizač u vodicu, a zatim potpuno otvorite i zatvorite vrata uređaja i drvena vrata kako biste provjerili da li se drvena vrata mogu potpuno i lako zatvoriti.



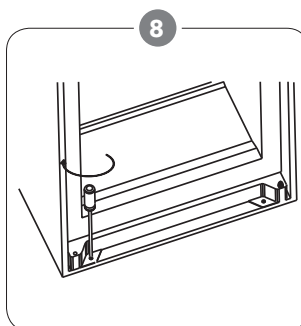
Zajedno otvorite vrata uređaja i drvena vrata, i označite poziciju klizača na onom mjestu na kome klizač može da dobro funkcioniše iz svih uglova prilikom zatvaranja ili otvaranja vrata. Izvadite klizač iz vodice i pričvrstite klizač za drvena vrata pomoću tri šrafa. Zatim pričvrstite poklopac klizača na klizač.

5 Odšrafite vodice sa vrata uređaja.

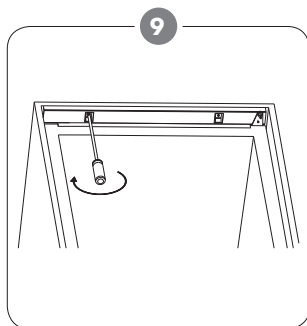
6 Ponovite korake 2 do 5 kako biste pričvrstili još jedan klizač i poklopac.



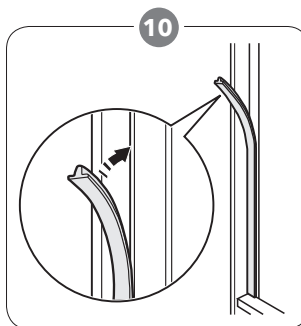
Postavite dve vodice sa klizačima i pričvrstite ih šrafovim. Zatim pričvrstite poklopce vodica za vodice.



Dva puta proverite da li vrata mogu da se lako zatvore i otvore i da li je uređaj dobro zaptiven. Ukoliko to nije slučaj, malo podesite jedinicu. Zatim pričvrstite donji element za pričvršćivanje na drveni ugradni dio.



Pričvrstite gornji element za pričvršćivanje na drveni ugradni dio.



Postavite gumenu zaptivku u prostor između jedinice i drvenog ugradnog dijela, sa one strane sa koje se vrata otvaraju.

Pozicioniranje

Postavite ovaj uređaj na mesto čija sobna temperatura odgovara klimatskoj klasi navedenoj na pločici sa podacima o uređaju: kod uređaja za rashlađivanje sa sledećim klimatskim klasama:

- prošireno umjerena: ovaj uređaj za rashlađivanje je namijenjen za upotrebu na sobnim temperaturama koje se kreću u opsegu od 10°C do 32°C; (SN)
- umjerena: ovaj uređaj za rashlađivanje je namijenjen za upotrebu na sobnim temperaturama koje se kreću u opsegu od 16°C do 32°C; (N)
- subtropska: ovaj uređaj za rashlađivanje je namijenjen za upotrebu na sobnim temperaturama koje se kreću u opsegu od 16°C do 38°C; (ST)
- tropska: ovaj uređaj za rashlađivanje je namijenjen za upotrebu na sobnim temperaturama koje se kreću u opsegu od 16°C do 43°C; (T)

Lociranje

Uređaj bi trebalo postaviti što dalje od izvora toplote, poput radijatora, kotlova, direktnog sunca itd.

SVAKODNEVNA UPOTREBA

Prva upotreba

Čišćenje unutrašnjosti uređaja

Prije prve upotrebe uređaja, operite njegovu unutrašnjost, kao i sve unutrašnje dodatne elemente, mlakom vodom i sa malo neutralnog sapuna, kako biste uklonili karakteristični miris koji imaju potpuno novi proizvodi, a zatim temeljno osušite.

VAŽNO! Nemojte upotrebljavati deterdžente ili abrazivne prahove, jer ćete tako oštetiti površinski sloj.

⚠ UPOZORENJE!

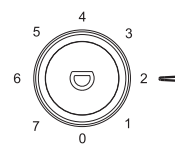
Neophodno je omogućiti isključivanje uređaja iz utičnice; stoga je potrebno da, nakon postavljanja uređaja, utikač bude lako pristupačan.

Povezivanje na električne instalacije

Prije nego što uređaj priključite u struju, uvjerite se da vrijednosti napona i frekvencije, navedene se na pločici sa podacima, odgovaraju pomenutim vrijednostima u okviru Vašeg domaćinstva. Uređaj mora biti uzemljen. Utikač kabla za napajanje sadrži kontakt namijenjen u ovu svrhu. Ukoliko utičnica za napajanje u okviru Vašeg domaćinstva nije uzemljena, uređaj povežite na zasebno uzemljenje, u skladu sa važećim propisima, angažovanjem kvalifikovanog električara. Proizvođač ne prihvata nikakvu odgovornost u slučaju nepoštovanja gore navedenih mjera predostrožnosti. Ovaj uređaj je usaglašen sa E.E.C. direktivama.

Temperaturna podešavanja

- Priključite svoj uređaj u utičnicu. Unutrašnja temperatura se kontrolise pomoću termostata. Postoji 8 podioka za podešavanje. Podioak 1 je podešavanje sa najvišom, a podioak 7 sa najnižom temperaturom. Na podioaku 0, uređaj je isključen.
- Uređaj možda neće moći da postigne predviđenu temperaturu ukoliko se nalazi u izuzetno toploj sredini ili ukoliko se vrata uređaja često otvaraju.



Svakodnevna upotreba

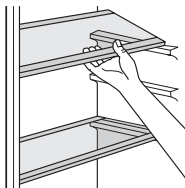
Različitu hranu stavljajte u različite odjeljke u skladu sa podacima navedenim u sledećoj tabeli.

Odjeljci frižidera	Vrsta hrane
Vrata ili police u vratima odjeljka za rashlađivanje	<ul style="list-style-type: none"> Hrana sa prirodnim konzervansima, poput džemova, sokova, pića, dodataka jelu. Nemojte držati lako kvarljivu hranu.
Crisper fioka za čuvanje svježine (fioka za salatu)	<ul style="list-style-type: none"> Voće, začinsko bilje i povrće treba držati zasebno, u crisper fioci za čuvanje svježine. Nemojte držati banane, crni luk, krompir ili bijeli luk u frižideru.
Polica frižidera - središnja	<ul style="list-style-type: none"> Mliječni proizvodi, jaja.
Polica frižidera - gornja	<ul style="list-style-type: none"> Hrana koju nije potrebno kuvati, poput gotove hrane, mesnih preradevina, ostataka hrane.

Dodatna oprema

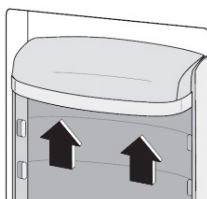
Mobilne police

Zidovi frižidera su opremljeni nizom žlebova, tako da je police moguće postaviti po želji.



Postavljanje policia na vratima

Kako bi se omogućilo držanje ambalaža sa hranom različitih dimenzija, police na vratima se mogu postaviti na različitim visinama. Da biste obavili pomenuta podešavanja, uradite sledeće: postepeno izvlačite police u pravcu strelica sve dok ih potpuno ne izvučete, a zatim ih ponovo postavite na željeno mjesto.



KORISNE IDEJE I SAVJETI

Savjeti za čuvanje svježije hrane u frižideru

Za maksimalni učinak:

- Nemojte u frižideru držati toplu hranu ili isparljive tečnosti
- Poklopite posudu sa hranom ili umotajte hranu, posebno ako ima snažnu aromu.

Savjeti za čuvanje hrane u frižideru

Korisni savjeti:

- Pripremljena hrana (svi tipovi): umotajte u polietilenske kese i stavite na staklene police iznad fiok za povrće.
- Iz bezbjednosnih razloga, ovako zapakovanu hranu nemojte držati duže od jednog, eventualno dva dana.
- Kuvana hrana, hladna jela itd.: potrebno je poklopiti, nakon čega je možete staviti na bilo koju policu.
- Voće i povrće: potrebno ih je temeljno očistiti i smjestiti u jednu ili više posebnih fioka uređaja.
- Maslac i sir: potrebno ih je staviti u posebne, hermetički zatvorene posude ili umotati u aluminijumsku foliju ili polietilenske kese, čime se što je više moguće isključuje kontakt sa vazduhom.
- Boce sa mlijekom: potrebno ih je zatvoriti i držati u policama na vratima.
- Ukoliko nisu zapakovani, banane, krompir i crni i bijeli luk se ne smiju držati u frižideru.

Preporuka za temperaturna podešavanja

Spoljašnja temperatura	Odjeljak zamrzivača	Odjeljak hladnjaka
Ljetnja	/	<p>Podesite na 3-4</p>
Normalna	/	<p>Podesite na 3-4</p>
Zimska	/	<p>Podesite na 2-3</p>

Gore navedeni podaci predstavljaju preporuke u vezi sa postavkama temperature, koje su namijenjene korisnicima.

Uticaj na čuvanje hrane

- Pri preporučenim podešavanjima, hranu je u frižideru najbolje čuvati ne duže od 3 dana.
- Preporučeni period čuvanja hrane može postati kraći pri drugim vrijednostima podešavanja.

Čišćenje

Iz higijenskih razloga, potrebno je redovno čistiti unutrašnjost uređaja, uključujući unutrašnje dodatne elemente.

OPREZI!

Tokom čišćenja, uređaj ne smije biti povezan sa utičnicom. Opasnost od strujnog udara! Prije čišćenja, isključite uređaj i iskopčajte utikač

iz utičnice ili isključite prekidač ili osigurač. Nikada nemojte uređaj čistiti paročistačem. Vлага se može akumulirati na električnim komponentama, opasnost od strujnog udara! Vrela para može oštetiti plastične djelove. Prije nego što ga ponovo stavite u upotrebu, uređaj se mora osušiti.

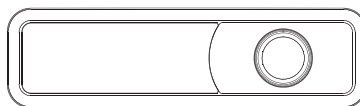
VAŽNO! Eterična ulja i organski rastvarači mogu oštetiti plastične djelove, što je, na primjer, slučaj sa limunovim sokom ili sokom kore pomorandže, buternom kiselinom, sredstvima za čišćenje koja sadrže sircetnu kiselinu.

- Ne dozvolite da pomenute supstance dođu u dodir sa djelovima uređaja.
- Nemojte koristiti nikakva abrazivna sredstva za čišćenje
- Izvadite hranu iz zamrzivača. Čuvajte je na hladnom mjestu, dobro poklopljenu.

- Isključite uređaj i iskopčajte utikač iz utičnice ili isključite prekidač ili osigurač.
- Očistite uređaj i unutrašnje dodatne elemente krpom i mlakom vodom. Nakon čišćenja, prebršite svježom vodom i osušite krpom.
- Kada se uređaj potpuno osuši, stavite ga ponovo u rad.

Zamjena lampice

Unutrašnja lampica je po svom tipu LED lampica. Da biste zamijenili lampicu, obratite se kvalifikovanom tehničaru.



OTKLANJANJE PROBLEMA

! OPREZI!

Prije nego što započnete postupak otklanjanja problema, prekinite napajanje. Otklanjanje problema koji nisu navedeni u ovom uputstvu treba da obavi isključivo kvalifikovani električar ili druga kompetentna osoba.

VAŽNO! Tokom normalne upotrebe, uređaj proizvodi određene zvuke (kompresor, kretanje tečnosti za rashlađivanje).

Problem	Mogući uzrok	Rešenje
Uređaj ne radi	Dugme za podešavanje temperature je podešeno na podiok „0“.	Podesite dugme na neki drugi podiok kako biste uključili uređaj.
	Utikač nije priključen ili je razlabavljen.	Priključite utikač u utičnicu.
	Osigurač je pregoreo ili je pokvaren.	Provjerite osigurač i zamijenite ga, po potrebi.
	Utičnica je pokvarena.	Popravljanje neispravne utičnice mora da obavi električar.
Hrana je suviše topla	Temperatura nije pravilno podešena.	Pogledajte odjeljak „Temperaturna podešavanja“ na početku.
	Vrata su bila ostavljena otvorena tokom dužeg vremenskog perioda.	Vrata držite otvorena samo onoliko koliko je to neophodno.
	Velika količina tople hrane je stavljena u uređaj u posljednja 24 sata.	Privremeno podesite regulator temperature na niže temperaturne vrijednosti.
	Uređaj se nalazi blizu izvora toplote.	Pogledajte odjeljak koji se bavi mjestom postavljanja uređaja.
Uređaj previše hladi	Temperatura je podešena na previše niske temperaturne vrijednosti.	Privremeno podesite dugme za podešavanje temperature na više temperaturne vrijednosti.
Neuobičajena buka	Uređaj nije iznivalisan.	Ponovo podesite nožice.
	Uređaj dodiruje zid ili neke druge predmete.	Malo pomjerite uređaj.
	Neka od komponenata, npr. cijev, na poledini uređaja dodiruje neki drugi dio uređaja ili zid.	Ukoliko je potrebno, pažljivo savijte komponentu kako biste je pomjerali.
Voda na podu	Otvor za odlivanje vode je začepljen.	Pogledajte odjeljak „Čišćenje“.

Ukoliko se nepravilnost u radu ponovo javi, obratite se servisnom centru.

PODACI O SIGURNOSTI


U interesu vlastite sigurnosti i u cilju osiguranja adekvatne upotrebe, prije postavljanja i prve upotrebe uređaja, pažljivo pročitajte ovaj korisnički priručnik, uključujući sve savjete i upozorenja koji su u njemu navedeni. Kako biste izbjegli nastanak nepotrebnih grešaka i nezgoda, važno je uvjeriti se da su sve osobe koje koriste uređaj temeljno upoznate sa njegovim radnim i sigurnosnim svojstvima. Ovaj priručnik sačuvajte i uvjerite se da, u slučaju premještanja ili prodaje uređaja, bude dostavljeno uz uređaj kako bi sve osobe koje ga koriste tokom njegovog životnog vijeka bile adekvatno informirane o upotrebi uređaja i sigurnosti u vezi sa istim.


U cilju sigurnosti po život ljudi i imovinu, pridržavajte se mjera predostrožnosti navedenih u ovom korisničkom priručniku, jer proizvođač nije odgovoran za štetu nastalu uslijed propusta.


Sigurnost djece i osoba koje pripadaju osjetljivim kategorijama

- Ovaj uređaj mogu upotrebljavati djeca starija od 8 godina, kao i osobe sa umanjenim fizičkim, slušnim ili mentalnim sposobnostima ili osobe bez iskustva i znanja, ukoliko su pod nadzorom ili ukoliko su dobile upute o sigurnoj upotrebi uređaja i shvaćaju opasnosti koje upotreba istog nosi.
- Djeci uzrasta od 3 do 8 godina je dozvoljeno da stavljaju predmete u ovaj uređaj i uzimaju predmete iz njega.
- Djecu je potrebno nadgledati kako im se ne bi dozvolilo da se igraju uređajem.
- Djeca ne smiju obavljati čišćenje i korisničko održavanje uređaja, osim ukoliko imaju više od 8 godina i ukoliko su pod nadzorom.
- Držite cjelokupnu ambalažu na sigurnoj udaljenosti od djece. Postoji rizik od gušenja.
- Ukoliko planirate odbaciti svoj uređaj, iskopčajte utikač iz utičnice, presjecite priključni kabel (što je moguće bliže uređaju) i skinite vrata kako biste spriječili situacije u kojima bi djeca mogla pretrpiti strujni udar ili da se zatvore unutar uređaja tokom igre.
- Ukoliko planirate da ovim uređajem, koji posjeduje magnetne brtve za vrata, zamijenite stariji uređaj sa oprugom na vratima ili poklopcu, budite sigurni da, prije nego što odbacite stari uređaj, onemogućite rad opruge. Na taj način ćete spriječiti da ovaj uređaj postane smrtonosna zamka za dijete.

Opća sigurnost

 UPOZORENJE! Budite sigurni da ventilacijski otvori unutar konstrukcije ili ugradne strukture za uređaj ne budu blokirani.

 UPOZORENJE! Ne upotrebljavajte mehanička sredstva ili druge načine ubrzavanja procesa otapanja koji nisu preporučeni od strane proizvođača..

 UPOZORENJE! Ne oštećujte instalacije za rashladno sredstvo.

⚠ UPOZORENJE! Nemojte koristiti druge električne uređaje (poput aparata za pravljenje sladoleda) unutar uređaja za rashlađivanje, osim u slučaju kada za upotrebu ovakvih uređaja u spomenute svrhe postoji odobrenje proizvođača.

⚠ UPOZORENJE! Ne dodirujte žarulju ukoliko je bila uključena tokom dužeg vremenskog perioda, jer može biti izuzetno vruća¹

⚠ UPOZORENJE! Prilikom postavljanja uređaja, uvjerite se da ništa ne pritišće priključni kabel, kao i da kabel nije oštećen..

⚠ UPOZORENJE! Ne postavljajte višestruke prenosive utičnice ili prenosivo napajanje iza uređaja.

- Ne čuvajte eksplozivne supstance, poput aerosol boca sa zapaljivim pogonskim plinom, u ovom uređaju.
- Unutar instalacija za rashladno sredstvo ovog uređaja nalazi se rashladno sredstvo isobutan (R-600a), prirodni plin sa visokim nivoom ekološke kompatibilnosti, koji je ipak zapaljiv.
- Tijekom transportiranja i postavljanja uređaja, obratite pažnju da nijedna komponenta u okviru instalacija za rashladno sredstvo ne bude oštećena.
 - Izbjegavajte otvoreni plamen i izvore paljenja
 - Dobro provjetrite prostoriju u kojoj se uređaj nalazi
- Opasno je unositi izmjene u specifikacije ili u sam proizvod na bilo kakav način. Svako oštećenje priključnog kabela može izazvati kratki spoj, požar i/ili strujni udar.
- Ovaj uređaj je namijenjen za upotrebu u domaćinstvima i sličnom okruženju poput
 - kuhinja za osoblje u prodavaonicama, kancelarijama i drugom radnom okruženju;
 - poljoprivrednih domaćinstava i hotela, motela i ostalih objekata rezidencijalnog tipa, gdje se stavlja na raspolaganje klijentima;
 - objekata koji pružaju uslugu noćenja sa doručkom;
 - cateringa i u slične neprodajne namjene.

⚠ UPOZORENJE! Zamjenu svih električnih komponenti (utikača, priključnog kabela, kompresora itd.) mora obaviti certificirani servis ili kvalificirano osoblje za vršenje servisa.

⚠ UPOZORENJE! Žarulja dostavljena uz ovaj uređaj predstavlja „žarulju za posebne namjene“, koja je predviđena isključivo za upotrebu u okviru dostavljenog uređaja. Ova „žarulja za posebne namjene“ nije predviđena za osvjetljenje u domaćinstvu.¹

- Priključni kabel se ne smije produžavati.
- Uvjerite se da poledina uređaja ne pritišće ili oštećuje utikač. Smrskan ili oštećen utikač se može pregrijati i izazvati požar.
- Uvjerite se da možete pristupiti utičnici na koju je priključen utikač uređaja.

¹ Ukoliko u odjeljku postoji osvjetljenje.

- Nemojte vući priključni kabel.
- Ukoliko utičnica nije adekvatno pričvršćena, ne priključujte utikač u istu. Postoji rizik od strujnog udara ili požara.
- Uređaj ne smijete upotrebljavati bez žarulje.
- Ovaj uređaj je težak. Potrebno je biti obazriv prilikom njegovog premještanja.
- Nemojte uzimati ili dodirivati predmete iz odjeljka za zamrzavanje ukoliko su Vam ruke vlažne/mokre, jer na taj način može doći do nastanka abrazivnih oštećenja na koži ili do promrzlina.
- Izbjegavajte duže direktno izlaganje uređaja sunčevim zrakama.

Svakodnevna upotreba

- Ne stavljajte vrelе predmete na plastične elemente uređaja.
- Ne pozicionirajte prehrambene proizvode neposredno uz zid na poleđini uređaja.
- Jednom otoplјena smrznuta hrana se ne smije ponovo zamrzavati.²
- Prethodno upakiranu smrznutu hranu čuvajte u skladu sa uputama proizvođača smrznute hrane.²
- Preporuke o čuvanju hrane, pružene od strane proizvođača uređaja, moraju se strogo poštovati. Pročitajte relevantne upute.
- Ne stavljajte gazirana pića u odjeljak za zamrzavanje, jer na taj način dolazi do stvaranja pritiska unutar pakiranja, što može izazvati njegovo pucanje i oštećenje uređaja.²
- Voćni sladoledi mogu izazvati promrzline ukoliko se konzumiraju odmah po uzimanju iz uređaja.²

Kako biste izbjegli kontaminiranje hrane, pratite slijedeće upute:

- Držanje uređaja otvorenim tokom dugih vremenskih perioda može dovesti do značajnog rasta temperature unutar odjeljaka uređaja.
- Redovno čistite površine koje mogu doći u dodir sa hranom, kao i pristupačne dijelove odvodnog sistema.
- Očistite rezervoare za vodu ukoliko ih niste koristili tokom vremenskog perioda dužeg od 48 h; ukoliko tokom vremenskog perioda od 5 dana niste uzimali vodu iz uređaja, isperite sistem za protok vode vodom iz vodovodne mreže.
- Sirovo meso i ribu unutar hladnjaka držite u odgovarajućim posudama, kako ove namirnice ne bi došle u dodir sa ili kako ne bi kapale po ostaloj hrani.
- Odjeljci za smrznutu hranu označeni sa dve zvjezdice (ukoliko postoje u okviru uređaja) pogodni su za držanje prethodno smrznute hrane, za držanje ili pravljenje sladoleda i za pravljenje kockica leda.
- Odjeljci označeni jednom, dvjema i trima zvjezdicama (ukoliko postoje u okviru uređaja) nisu pogodni za zamrzavanje svježe hrane.
- Ukoliko će uređaj biti prazan tokom dužeg vremenskog perioda, isključite

² Ukoliko postoji odjeljak za zamrzavanje.

ga, odledite, očistite i osušite, a zatim ostavite vrata uređaja otvorenim kako biste spriječili razvoj plijesni u unutrašnjosti uređaja.

Održavanje i čišćenje

- Prije postupka održavanja, isključite uređaj i iskopčajte utikač iz utičnice.
- Čišćenje uređaja nemojte vršiti pomoću metalnih predmeta.
- Ne upotrebljavajte oštre predmete da biste uklonili led iz uređaja. Koristite plastičnu špatulu.²
- Redovno provjeravajte slivnik za otoplenu vodu unutar hladnjaka. Ukoliko je potrebno, očistite slivnik. Ukoliko je slivnik blokiran, voda će se skupljati na dnu uređaja.³

Postavljanje

VAŽNO! Kako biste uređaj priključili na struju, pažljivo pratite upute navedene u odgovarajućim pasusima.

- Raspakirajte uređaj i provjerite da li su na njemu vidljiva oštećenja. Ukoliko je uređaj oštećen, nemojte ga povezivati na struju. Potencijalna oštećenja odmah prijavite na mjestu kupovine. U spomenutom slučaju, sačuvajte ambalažu.
- Preporučuje se da, prije povezivanja uređaja na struju, sačekate najmanje četiri sata, kako biste omogućili slijevanje ulja nazad u kompresor.
- Trebalo bi omogućiti adekvatno cirkuliranje zraka oko uređaja. U suprotnom, dolazi do pregrijavanja uređaja. Kako biste osigurali odgovarajući stupanj provjetrenosti, pratite upute koja se odnose na postavljanje uređaja.
- Odstojnici za proizvod bi trebali biti postavljeni na strani do zida kad god je to moguće, jer se na taj način spriječava kontakt sa zagrijanim dijelovima (kompresorom, kondenzatorom), kao i mogućnost pojave požara.
- Uređaj ne smije biti postavljen blizu radijatora ili štednjaka.
- Po postavljanju uređaja, uvjerite se da je utičnica, na koju je povezan utikač uređaja, pristupačna.

Servis

- Sve intervencije u vezi sa strujom, neophodne radi servisiranja uređaja, treba obaviti kvalificirani električar ili neka druga kompetentna osoba.
- Servisiranje ovog proizvoda mora obavljati ovlaštenu centar za servisiranje, pri čemu se moraju upotrebljavati isključivo originalni rezervni dijelovi.

Ušteda energije



- Ne stavljajte vrelu hranu u uređaj;
- Ne pakirajte hranu pretjerano blizu, jer se na taj način spriječava cirkuliranje zraka;



² Ukoliko postoji odjeljak za zamrzavanje.

³ Ukoliko postoji odjeljak za držanje svježih hrane.

- Obratite pažnju da hrana ne dodiruje poledinu odjeljka/odjeljaka uređaja;
- Ukoliko nestane struje, ne otvarajte vrata uređaja;
- Nemojte često otvarati vrata uređaja;
- Nemojte uređaj predugo držati otvorenim;
- Ne podešavajte termostat na pretjerano niske temperature;
- Potrebno je sve dodatne elemente, poput ladica, polica, polica u vratima uređaja, tamo držati u cilju smanjenja potrošnje energije.

Zaštita životne sredine

 Ovaj uređaj ne sadrži plinove koji bi mogli oštetiti ozonski omotač ni unutar instalacije za rashladno sredstvo, ni u okviru izolacijskih materijala. Uređaj se ne smije odlagati zajedno sa komunalnim otpadom i smećem. Izolacijska pjena sadrži zapaljive plinove: odlaganje uređaja se mora obaviti u skladu sa propisima u vezi sa danim uređajem, a koje ćete dobiti od Vaših lokalnih vlasti. Izbjegavajte oštećivanje jedinice za rashlađivanje, posebno izmjenjivača topline. Materijali upotrebljeni prilikom proizvodnje ovog uređaja, a koji su označeni simbolom  mogu se reciklirati.

 Ova oznaka na proizvodu ili ambalaži danog proizvoda ukazuje da se ovaj proizvod ne može tretirati kao otpad iz domaćinstva. Umjesto toga,  trebalo bi ga odnijeti na odgovarajuće mjesto za prikupljanje radi recikliranja električne i elektronske opreme. Omogućavanjem pravilnog odlaganja ovog proizvoda, pomoći ćete u spriječavanju potencijalnih negativnih posljedica po životnu sredinu i zdravlje ljudi, a do kojih bi inače došlo uslijed neadekvatnog rukovanja ovim proizvodom prilikom odlaganja. Za više podataka u vezi sa recikliranjem ovog proizvoda, kontaktirajte svoje lokalne vlasti, poduzeće koje Vam pruža komunalne usluge ili prodavaonicu u kojoj ste proizvod kupili.

Ambalaža

Materijali označeni adekvatnim simbolom se mogu reciklirati. Ambalažu odložite u odgovarajuće kontejnere za prikupljanje sirovina kako biste omogućili njezino recikliranje.

Odlaganje uređaja

1. Iskopčajte utikač iz utičnice.
2. Prerežite priključni kabel i odbacite ga.

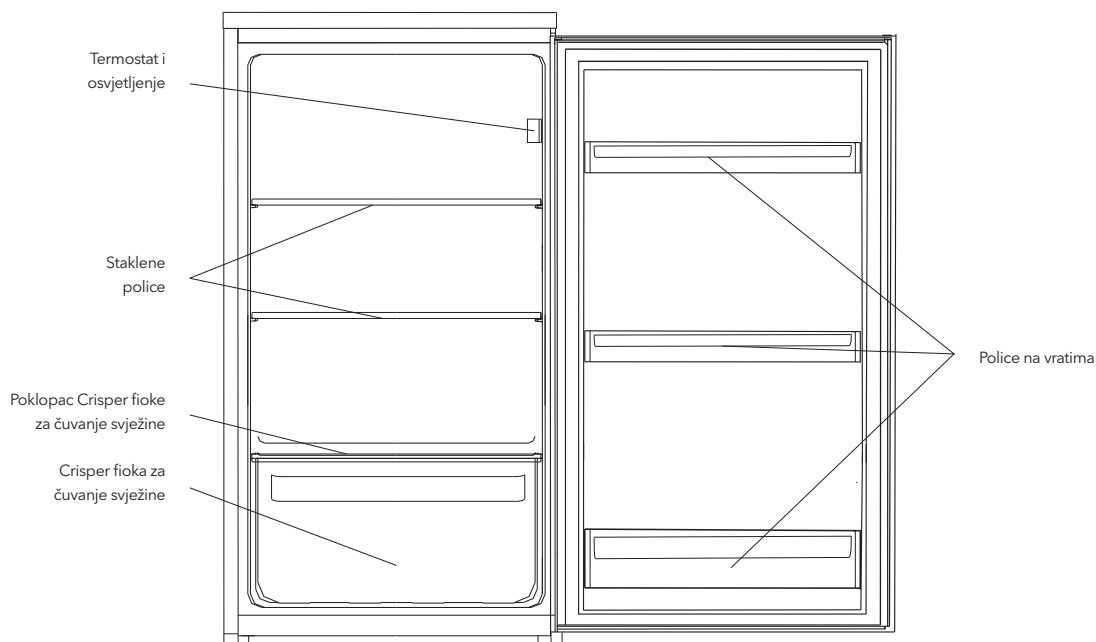


UPOZORENJE!

Prilikom upotrebe, servisiranja i odlaganja uređaja, imajte u vidu oznaku prikazanu na slici lijevo, koja se nalazi na poledini uređaja (tabla ili kompresor na poledini uređaja), a koja je žute ili narandžaste boje.

Ova oznaka predstavlja simbol rizika od požara. U cijevima za rashladno sredstvo i u kompresoru se nalaze zapaljivi materijali. Molimo Vas da tijekom upotrebe, servisiranja i odlaganja, uređaj držite dalje od izvora vatre.

PREGLED PROIZVODA



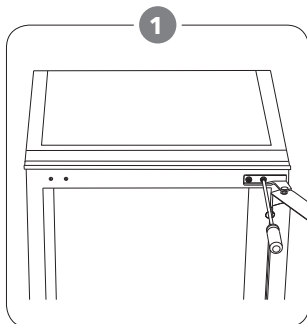
Napomena: Slika iznad je namijenjena isključivo u ilustrativne svrhe. Konkretni uređaj će se najvjerojatnije razlikovati.

INSTALACIJA UREĐAJA

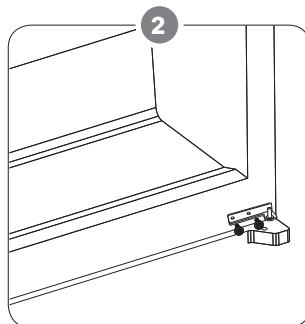
Promjena smjera otvaranja vrata

Potreban alat: križni odvijač, ravni odvijač.

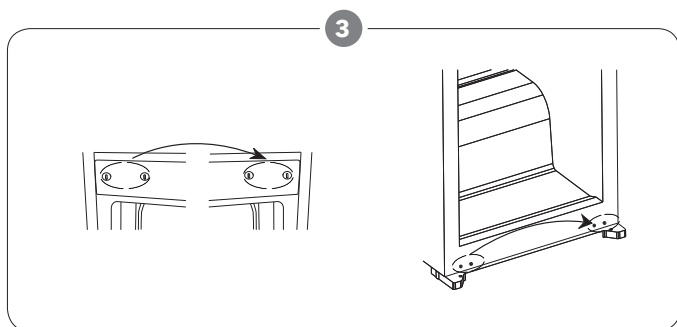
- Uvjerite se da je jedinica isključena iz utičnice i ispražnjena.
- Da biste skinuli vrata, potrebno je jedinicu nagnuti unatrag. Jedinicu bi trebalo osloniti na neku čvrstu površinu, kako ne bi proklizala tijekom postupka promjene smjera otvaranja vrata.
- Sve dijelove koje ste skinuli morate sačuvati kako biste ponovo namontirali vrata.
- Nemojte stavljati jedinicu u horizontalni položaj, jer se tako može oštetiti sustav za protok rashladnog sredstva.
- Najbolje je da, prilikom sklapanja, jedinicom rukuju 2 osobe.



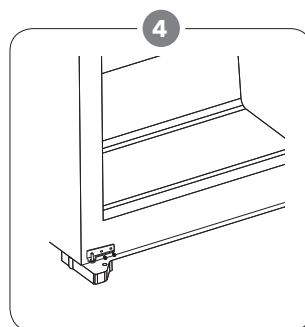
Odvrnite gornju šarku. Zatim podignite vrata i smjestite ih na obloženu površinu kako biste spriječili nastanak ogrebotina.



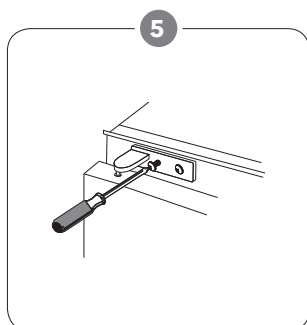
Odvrnite donju šarku.



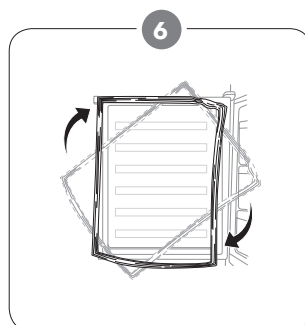
Odvrnite i premjestite otvore za vijke sa vrha i dna kućišta sa lijeve na desnu stranu.



Okrenite gornju šarku i postavite je na dno sa lijeve strane.



Ponovo postavite vrata. Prije nego što konačno pričvrstite šarke, uvjerite se da su vrata i horizontalno i vertikalno u ravni sa otvorom, tako da brtva naleže sa svih strana. Zatim okrenite donju šarku, koju ste prethodno skinuli, i postavite je i pričvrstite na prednju gornju stranu jedinice.



Izvadite brtve sa vrata hladnjaka i zamrzivača, a zatim ih ponovo pričvrstite, nakon što ih prethodno zarotirate.

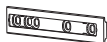
Komplet za postavljanje uređaja



Vodič x 2



Poklopac vodiča x 2



Klizač x 2



Poklopac klizača x 2



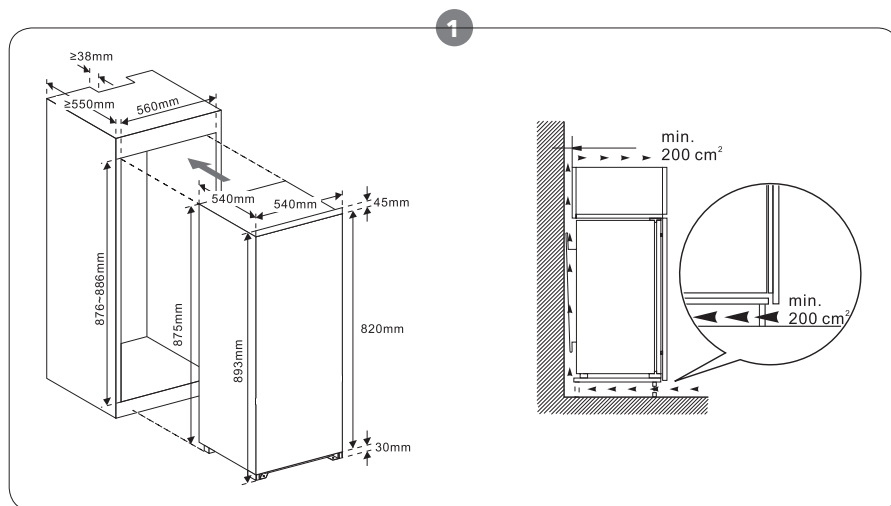
Vujak x 15



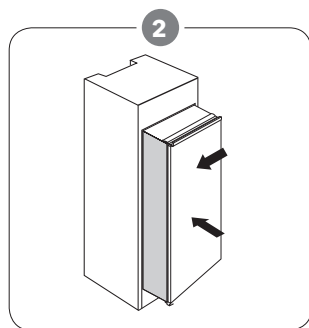
Gumena brtva x 1

Postavljanje uređaja

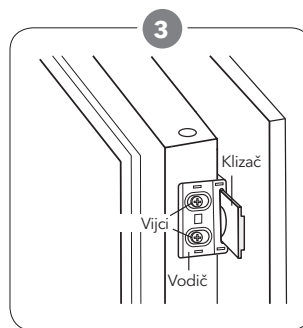
Potreban alat: križni odvijač, ravni odvijač, selotejp, olovka.



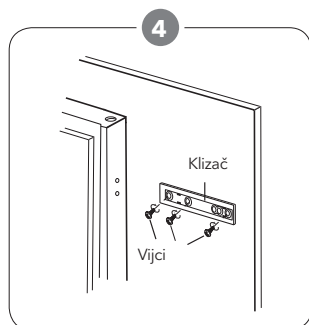
Uvjerite se da je veličina prostora unutar ugrađenog dijela i dijela za ventilaciju zadovoljavajuća.



Polako i pažljivo gurnite uređaj u ugrađeni dio. Uvjerite se da je strana sa koje se vrata otvaraju što je moguće bliže zidu ugrađenog dijela.



Ukoliko na prednjem dijelu vrata postoje vijci, najprije ih skinite. Pričvrstite vodič na otvore koji se nalaze sa strane vrata uređaja. Umetnite klizač u vodič, a zatim potpuno otvorite i zatvorite vrata uređaja i drvena vrata kako biste provjerili da li se drvena vrata mogu potpuno i lako zatvoriti.



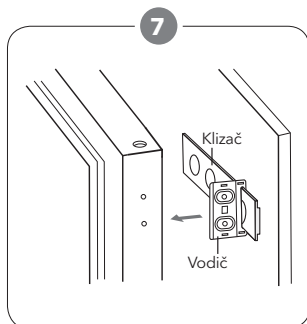
Zajedno otvorite vrata uređaja i drvena vrata, i označite poziciju klizača na onom mjestu na kojem klizač može dobro raditi iz svih kutova prilikom zatvaranja ili otvaranja vrata. Izvadite klizač iz vodiča i pričvrstite klizač za drvena vrata pomoću tri vijka. Zatim pričvrstite poklopac klizača na klizač.

5

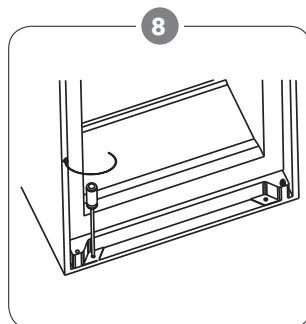
Odvrnite vodiče sa vrata uređaja.

6

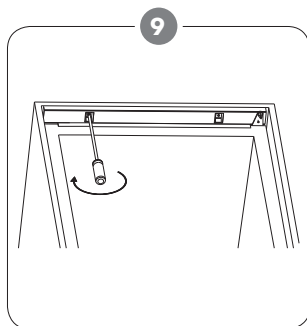
Ponovite korake 2 do 5 kako biste pričvrstili još jedan klizač i poklopac.



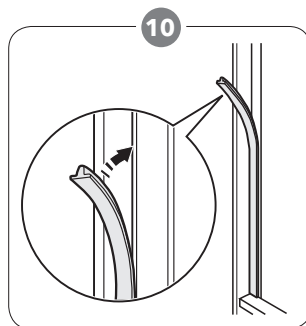
Postavite dva vodiča sa klizačima i pričvrstite ih vijcima. Zatim pričvrstite poklopce vodiča za vodiče.



Dva puta provjerite mogu li se vrata lako zatvoriti i otvoriti i da li je uređaj dobro pričvršćen. Ukoliko to nije slučaj, malo podesite jedinicu. Zatim pričvrstite donji element za pričvršćivanje na drveni ugrađeni dio.



Pričvrstite gornji element za pričvršćivanje na drveni ugrađeni dio.



Postavite gumenu brtvu u prostor između jedinice i drvenog ugrađenog dijela, sa one strane sa koje se vrata otvaraju.

Pozicioniranje

Postavite ovaj uređaj na mjesto čija sobna temperatura odgovara klimatskom razredu navedenom na pločici sa podacima o uređaju: kod uređaja za rashlađivanje sa sljedećim klimatskim razredima:

- prošireno umjerena: ovaj uređaj za rashlađivanje je namijenjen za upotrebu na sobnim temperaturama koje se kreću u opsegu od 10°C do 32°C; (SN)
- umjerena: ovaj uređaj za rashlađivanje je namijenjen za upotrebu na sobnim temperaturama koje se kreću u opsegu od 16°C do 32°C; (N)
- suptropska: ovaj uređaj za rashlađivanje je namijenjen za upotrebu na sobnim temperaturama koje se kreću u opsegu od 16°C do 38°C; (ST)
- tropska: ovaj uređaj za rashlađivanje je namijenjen za upotrebu na sobnim temperaturama koje se kreću u opsegu od 16°C do 43°C; (T)

Lociranje

Uređaj bi trebalo postaviti što dalje od izvora topline, poput radijatora, bojlera, direktnog sunca itd.

SVAKODNEVNA UPOTREBA

Prva upotreba

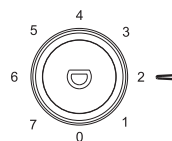
Čišćenje unutrašnjosti uređaja

Prije prve upotrebe uređaja, operite njegovu unutrašnjost, kao i sve unutrašnje dodatne elemente, mlakom vodom i sa malo neutralnog sapuna, kako biste uklonili karakteristični miris koji imaju potpuno novj proizvodi, a zatim temeljno osušite.

VAŽNO! Nemojte upotrebljavati deterđente ili abrazivne prahove, jer ćete tako oštetiti površinski sloj.

Postavke temperature

- Priključite svoj uređaj u utičnicu. Unutrašnja temperatura se kontrolira pomoću termostata. Postoji 8 podjela za podešavanje. Podjela 1 je podešavanje sa najvišom, a podjela 7 sa najnižom temperaturom. Na podjeli 0, uređaj je isključen.
- Uređaj možda neće moći postići predviđenu temperaturu ukoliko se nalazi u izuzetno toploj sredini ili ukoliko se vrata uređaja često otvaraju.



Svakodnevna upotreba

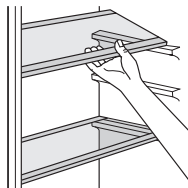
Različitu hranu stavljajte u različite odjeljke u skladu sa podacima navedenim u sljedećoj tablici.

Odjeljci frižidera	Vrsta hrane
Vrata ili police u vratima odjeljka za rashlađivanje	<ul style="list-style-type: none"> Hrana sa prirodnim konzervansima, poput džemova, sokova, pića, dodataka jelu. Nemojte držati lako kvarljivu hranu.
Crisper ladica za čuvanje svježine (ladica za salatu)	<ul style="list-style-type: none"> Voće, začinsko bilje i povrće treba držati zasebno, u crisper ladici za čuvanje svježine. Nemojte držati banane, crveni luk, krumpir ili bijeli luk u hladnjaku.
Polica hladnjaka - središnja	<ul style="list-style-type: none"> Mliječni proizvodi, jaja.
Polica hladnjaka - gornja	<ul style="list-style-type: none"> Hrana koju nije potrebno kuhati, poput gotove hrane, mesnih preradevina, ostataka hrane.

Dodatna oprema

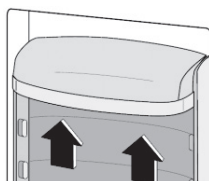
Mobilne police

Zidovi hladnjaka su opremljeni nizom utora, tako da je police moguće postaviti po želji.



Postavljanje policica na vratima

Kako bi se omogućilo držanje ambalaže sa hranom različitih dimenzija, police na vratima se mogu postaviti na različitim visinama. Da biste obavili spomenuta podešavanja, napravite sljedeće: postepeno izvlačite police u pravcu strelica sve dok ih potpuno ne izvučete, a zatim ih ponovo postavite na željeno mjesto.



KORISNE IDEJE I SAVJETI

Savjeti za čuvanje svježije hrane u hladnjaku

Za maksimalni učinak:

- Nemojte u hladnjaku držati toplu hranu ili hlapljive tekućine
- Poklopite posudu sa hranom ili umotajte hranu, posebno ako ima snažnu aromu.

Savjeti za čuvanje hrane u hladnjaku

Korisni savjeti:

- Pripremljena hrana (sve vrste): umotajte u polietilenske vrećice i stavite na staklene police iznad ladice za povrće.
- Iz sigurnosnih razloga, ovako zapakiranu hranu nemojte držati duže od jednog, eventualno dva dana.
- Kuhana hrana, hladna jela itd.: potrebno je poklopiti, nakon čega je možete staviti na bilo koju policu.
- Voće i povrće: potrebno ih je temeljno očistiti i smjestiti u jednu ili više posebnih ladica uređaja.
- Maslac i sir: potrebno ih je staviti u posebne, hermetički zatvorene posude ili umotati u aluminijsku foliju ili polietilenske vrećice, čime se što je više moguće isključuje kontakt sa zrakom.
- Boce sa mlijekom: potrebno ih je zatvoriti i držati u policama na vratima.
- Ukoliko nisu zapakirani, banane, krumpir i crveni i bijeli luk se ne smiju držati u hladnjaku.

Preporuka za postavke temperature

Vanjska temperatura	Odjeljak zamrzivača	Odjeljak hladnjaka
Ljetnja	/	<p>Podesite na 3~4</p>
Normalna	/	<p>Podesite na 3-4</p>
Zimska	/	<p>Podesite na 2~3</p>

Gore navedeni podaci predstavljaju preporuke u vezi sa postavkama temperature, koje su namijenjene korisnicima.

Uticaj na čuvanje hrane

- Pri preporučenim postavkama, hranu je u hladnjaku najbolje čuvati ne duže od 3 dana.
- Preporučeno razdoblje čuvanja hrane može postati kraće pri drugim vrijednostima postavki.

Čišćenje

Iz higijenskih razloga, potrebno je redovno čistiti unutrašnjost uređaja, uključujući unutrašnje dodatne elemente.

OPREZ!

Tijekom čišćenja, uređaj ne smije biti povezan sa utičnicom. Opasnost od strujnog udara! Prije čišćenja, isključite uređaj i iskopčajte utikač iz utičnice ili isključite prekidač ili osigurač. Nikada nemojte uređaj čistiti paročištačem. Vlaga se može akumulirati na

električnim komponentama, opasnost od strujnog udara! Vruća para može oštetiti plastične dijelove. Prije nego što ga ponovo stavite u upotrebu, uređaj se mora osušiti.

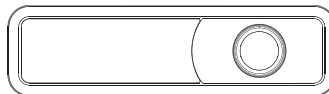
VAŽNO! Eterična ulja i organski rastvarači mogu oštetiti plastične dijelove, što je, na primjer, slučaj sa limunovim sokom ili sokom kore naranče, maslačnom kiselinom, sredstvima za čišćenje koja sadrže octenu kiselinu.

- Ne dozvolite da spomenute supstance dođu u dodir sa dijelovima uređaja.
- Nemojte koristiti nikakva abrazivna sredstva za čišćenje
- Izvadite hranu iz zamrzivača. Čuvajte je na hladnom mjestu, dobro poklopljenu.
- Isključite uređaj i iskopčajte utikač iz utičnice ili isključite prekidač ili osigurač.

- Očistite uređaj i unutrašnje dodatne elemente krpom i mlakom vodom. Nakon čišćenja, prebrišite svježom vodom i osušite krpom.
- Kada se uređaj potpuno osuši, stavite ga ponovo u rad.

Zamjena žarulje

Unutrašnja žarulja je po svom tipu LED žarulja. Da biste zamijenili žarulju, obratite se kvalificiranom tehničaru.



OTKLANJANJE PROBLEMA

! OPREZ!

Prije nego što započnete postupak otklanjanja problema, prekinite napajanje. Otklanjanje problema koji nisu navedeni u ovim uputama treba obaviti isključivo kvalificirani električar ili druga kompetentna osoba.

VAŽNO! Tijekom normalne upotrebe, uređaj proizvodi određene zvukove (kompresor, kretanje tekućine za rashlađivanje).

Problem	Mogući uzrok	Rješenje
Uređaj ne radi	Tipka za podešavanje temperature je podešena na podjelu „0“.	Podesite tipku na neku drugu podjelu kako biste uključili uređaj.
	Utikač nije priključen ili je olabavljen.	Priključite utikač u utičnicu.
	Osigurač je pregorio ili je pokvaren.	Provjerite osigurač i zamijenite ga, po potrebi.
	Utičnica je pokvarena.	Popravljanje neispravne utičnice mora obaviti električar.
Hrana je pretopla.	Temperatura nije pravilno podešena.	Pogledajte odjeljak „Postavke temperature“ na početku.
	Vrata su bila ostavljena otvorena tijekom dužeg vremenskog razdoblja.	Vrata držite otvorena samo onoliko koliko je to neophodno.
	Velika količina tople hrane je stavljena u uređaj u posljednja 24 sata.	Privremeno podesite regulator temperature na niže temperaturne vrijednosti.
Uređaj previše hladi	Uređaj se nalazi blizu izvora topline.	Pogledajte odjeljak koji se bavi mjestom postavljanja uređaja.
	Temperatura je podešena na preniske temperaturne vrijednosti.	Privremeno podesite tipku za podešavanje temperature na više temperaturne vrijednosti.
Neuobičajena buka	Uređaj nije izravan.	Ponovo podesite nožice.
	Uređaj dodiruje zid ili neke druge predmete.	Malo pomaknite uređaj.
	Neka od komponenata, npr. cijev, na poledini uređaja dodiruje neki drugi dio uređaja ili zid.	Ukoliko je potrebno, pažljivo savijte komponentu kako biste je pomaknuli.
Voda na podu	Otvor za odлив vode je začepljen.	Pogledajte odjeljak „Čišćenje“.

Ukoliko se nepravilnost u radu ponovo javi, obratite se servisnom centru.

BEZBEDNOSNA UPUTSTVA


Radi sopstvene bezbednosti obezbedite sigurnu upotrebu, pre instalacije i prve upotrebe uređaja, pročitajte ovo korisničko uputstvo, uključujući i savete i upozorenja. Da biste izbegli nepotrebne greške i nezgode, važno je da se postarate da sve osobe koje koriste uređaj budu detaljno upoznate s njegovim operacijama i bezbedonosnim funkcijama. Sačuvajte ova uputstva i pobrinite se da budu u sklopu uređaja ako bude premešten ili prodat, kako bi svako, ko ga koristi tokom svog života bio upoznat sa pravilnom upotrebom i bezbednošću uređaja. Imajte na umu ovo korisničko uputstvo radi svoje lične sigurnosti i sigurnosti imovine, budući da proizvođač nije odgovoran za štetu učinjenu propustima.

Bezbednost dece i nesamostalnih osoba

- Ovaj uređaj mogu koristiti deca starosti 8 ili više godina i osobe sa smanjenim fizičkim, čulnim ili mentalnim sposobnostima, ili manjkom iskustva i znanja ukoliko su pod nadzorom, ili su im data uputstva u vezi sa bezbednom upotrebom uređaja, i svesni su mogućeg rizika.
- Deci uzrasta od 3 do 8 godina je dozvoljeno da stavljaju predmete u i uzimaju predmete iz ovog uređaja.
- Deca bi trebalo da budu pod nadzorom, kako biste osigurali da se ne igraju uređajem.
- Čišćenjem i održavanjem ne bi trebalo da se bave deca, osim ako nisu starosti 8 ili više godina i moraju biti pod obaveznim nadzorom.
- Svu ambalažu čuvajte van domašaja dece. Postoji opasnost od gušenja.
- Ukoliko ste odlučili da više ne koristite uređaj, prekinite napajanje uređaja strujom, preseccite kabl za napajanje (što je bliže moguće uređaju) i uklonite vrata, kako biste sprečili mogućnost da deca, koja se igraju, pretrpe strujni udar ili se zatvore u uređaj.
- Ukoliko ovaj uređaj ima magnetnu gumu na vratima, a želite da njime zamenite stariji uređaj, koji se zatvarao pomoću opruge na vratima ili poklopcu, onemogućite funkcionisanje zatvaranja starijeg uređaja pomoću opruge. Na ovaj način ćete sprečiti da uređaj postane smrtonosna zamka za dete.

Opšta bezbednost

 UPOZORENJE! Održavajte ventilacione otvore u kućištu frižidera ili ugradnoj strukturi čistima od začepljenja.

 UPOZORENJE! Nemojte koristiti mehaničke uređaje ili druge naprave kako biste ubrzali proces odmrzavanja, osim proizvoda preporučenih od strane proizvođača uređaja.

⚠ UPOZORENJE! Nemojte oštetiti sistem za hlađenje.

⚠ UPOZORENJE! Nemojte stavljati druge električne uređaje (kao što su uređaji za pravljenje sladoleda) u uređaj za hlađenje, osim ako ih proizvođač nije odobrio u ovu svrhu.

⚠ UPOZORENJE! Ne dirajte sijalicu ukoliko radi duže vremena, jer može biti veoma vruća.¹

⚠ UPOZORENJE! Prilikom postavljanja uređaja, uverite se da ništa ne pritiska priključni kabl, kao i da kabl nije oštećen.

⚠ UPOZORENJE! Ne postavljajte višestruke prenosive utičnice ili prenosivo napajanje iza uređaja.

- Nemojte čuvati eksplozivne supstance, kao što su ambalaže sprejeva sa zapaljivim gasom u ovom uređaju.
- Supstanca za hlađenje, izobutan (R600a), se nalazi u sistemu za hlađenje uređaja, to je prirodni gas s visokim nivoom ekološke kompatibilnosti, ali izuzetno zapaljiv.
- Pobrinite se da tokom transporta ili postavljanja uređaja ne bude oštećena nijedna komponenta sistema za hlađenje uređaja.
 - izbegavajte otvoren plamen i izvore zapaljivosti
 - temeljno provetrite prostoriju, u kojoj se nalazi uređaj
- Opasno je menjati specifikacije ili modifikovati proizvod na bilo koji način. Bilo kakvo oštećenje kabla može prouzrokovati kratak spoj, požar i/ili strujni udar.
- Ovaj uređaj je namenjen za upotrebu u domaćinstvima i za slične primene, kao što su
 - prostori za zaposlene u kuhinji, u prodavnicama, kancelarije i druga radna okruženja;
 - poljoprivredna domaćinstva i od strane hotelskih i motelskih gostiju, kao i drugih vrsta ovakvih objekata;
 - objekti koji pružaju uslugu noćenja sa doručkom;
 - catering i slične neprodajne namene.

⚠ UPOZORENJE! Bilo koju električnu komponentu (utikač, kabl za napajanje, kompresor itd.) mora zameniti ovlašćeni serviser ili kvalifikovano osoblje.

⚠ UPOZORENJE! Sijalica, dostavljena sa ovim uređajem, je "sijalica za specijalnu namenu" i može se koristiti samo za uređaj uz koji je dostavljena. Ova "sijalica za specijalnu namenu" se ne može koristiti za kućno osvetljenje.¹

- Kabl za napajanje se ne sme produžavati.
- Proverite da li je utikač, na zadnjoj strani uređaja, zgnječen ili oštećen.

¹ Ukoliko u uređaju postoji.

Zgnječen ili oštećen utikač može dovesti do pregrevanja i izazvati požar.

- Pobrinite se da vam glavni utikač uređaja bude dostupan.
- Nemojte izvlačiti glavni kabl.
- Ukoliko utičnica nije fiksirana, nemojte priključivati aparat. Postoji rizik od strujnog udara ili vatre.
- Ne smete raditi ništa na uređaju bez osvetljenja.
- Uređaj je težak. Budite oprezni tokom pomeranja uređaja.
- Nemojte uklanjati ili dodirivati elemente iz dela za zamrzavanje ako su vam ruke vlažne/mokre, budući da to može prouzrokovati ogrebotine ili promrzline na koži.
- Izbegavajte duže izlaganje aparata direktnoj sunčevoj svetlosti.

Dnevna upotreba

- Ne stavljajte vruće stvari na plastične delove uređaja.
- Ne stavljate prehrambene proizvode uza zadnji zid.
- Zamrznuta hrana se ne sme ponovo zamrzavati nakon što se otopi.²
- Već zapakovanu zamrznutu hranu čuvajte u skladu sa instrukcijama proizvođača, u vezi sa zamrznutom hranom.²
- Striktno se pridržavajte preporuka proizvođača u pogledu držanja stvari u uređaju. Pridržavajte se relevantnih instrukcija.
- Ne stavljate gazirana pića u deo za zamrzavanje, budući da to stvara pritisak, koji može prouzrokovati pucanje ambalaže, što može dovesti do oštećenja uređaja.²
- Voćni sladoledi mogu izazvati promrzline ukoliko se konzumiraju odmah po uzimanju iz uređaja.²

Kako biste izbegli kontaminiranje hrane, pratite sledeća uputstva

- Držanje uređaja otvorenim tokom dugih vremenskih perioda može da dovede do značajnog rasta temperature unutar odeljaka uređaja.
- Redovno čistite površine koje mogu da dođu u dodir sa hranom, kao i pristupačne delove odvodnog sistema.
- Očistite rezervoare za vodu ukoliko ih niste koristili tokom vremenskog perioda dužeg od 48 h; ukoliko tokom vremenskog perioda od 5 dana niste uzimali vodu iz uređaja, isperite sistem za protok vode vodom iz vodovodne mreže.
- Sirovo meso i ribu unutar frižidera držite u odgovarajućim posudama, kako ove namirnice ne bi došle u dodir sa ili kako ne bi kapale po ostaloj hrani.
- Odeljci za smrznutu hranu označeni sa dve zvezdice (ukoliko postoje u okviru uređaja) pogodni su za držanje prethodno smrznute hrane, za držanje ili pravljenje sladoleda i za pravljenje kockica leda.

² Ukoliko postoji deo za zamrzavanje.

- Odeljci označeni jednom, dvema i trima zvezdicama (ukoliko postoje u okviru uređaja) nisu pogodni za zamrzavanje sveže hrane.
- Ukoliko će uređaj biti prazan tokom dužeg vremenskog perioda, isključite ga, odledite, očistite i osušite, a zatim ostavite vrata uređaja otvorenim kako biste sprečili razvoj buđi u unutrašnjosti uređaja.

Održavanje i čišćenje

- Pre održavanja, isključite uređaj, ili prekinite dotok električne energije.
- Uređaj nemojte čistiti metalnim predmetima.
- Ne koristite oštre predmete, da bi uklonili led sa uređaja. Koristite plastična sredstva za struganje.²
- Redovno proveravajte odvod za odleđenu vodu u frižideru. Ukoliko je potrebno, očistite odvod. Ukoliko je odvod blokiran, voda će se sakupljati na dnu uređaja³

Instalacija uređaja

- **VAŽNO!** Za priključivanje na električnu mrežu, pažljivo pratite uputstva data u specifičnim delovima uputstva.
- Raspakujte uređaj i proverite da li postoje na njemu oštećenja. Ne povezujte uređaj na struju, ukoliko je oštećen. Moguća oštećenja odmah prijavite u mestu, gde ste ga kupili. U tom slučaju zadržite ambalažu uređaja.
- Preporučuje se, da sačekate najmanje četiri sata pre nego što priključite uređaj, kako bi se ulje vratilo u kompresor.
- Potrebno je obezbediti adekvatno strujanje vazduha oko uređaja, nepostojanje ovoga može dovesti do pregrevanja. Za postizanje odgovarajućeg protoka vazduha, pratite uputstva potrebna za instalaciju uređaja.
- Gde god je moguće, razmaknica mora biti postavljena između uređaja i zida, kako bi se izbeglo dodirivanje ili hvatanje za vruće delove (kompresor, kondenzator) kako bi se izbegle moguće opekotine.
- Uređaj ne sme biti postavljen blizu radijatora ili štednjaka.
- Pobrinite se da bude obezbeđen lak pristup glavnom utikaču i nakon postavljanja uređaja.

Servisiranje

- Bilo kakvo servisiranje uređaja, koje zahteva električne radove, treba da bude obavljen od strane kvalifikovanog električara ili kompetentne osobe.
- Samo ovlašćeni centar za servisiranje može obaviti popravke na uređaju, i mogu se koristiti samo originalni rezervni delovi.


² Ukoliko postoji deo za zamrzavanje.


³ Ukoliko postoji deo za čuvanje sveže hrane

Ušteda energije

- Ne stavljate vruću hranu u uređaj;
- Ne pakujte svu hranu zajedno, budući da to sprečava cirkulaciju vazduha;
- Pobrinite se da hrana ne dotiče zadnji deo pregrade(a);
- Ukoliko nestane struje, ne otvarajte vrata;
- Ne otvarajte često vrata;
- Ne držite vrata otvorena drugo;
- Nemojte postavljati termostat na izuzetno niske temperature
- Potrebno je sve dodatne elemente, poput fioka, polica, polica u vratima uređaja, tamo držati u cilju smanjenja utroška energije.

Zaštita životne sredine

 Ovaj uređaj ne sadrži gasove, koji mogu oštetiti ozonski omotač, ni u sistemu za hlađenje, ni u materijalima za izolaciju. Uređaj ne bi trebalo odlagati zajedno sa gradskim ili kućnim otpadom. Izolaciona pena sadrži zapaljive gasove: uređaj bi trebalo odložiti u skladu sa propisima za uređaje, koje su izdale lokale vlasti. Izbegavajte pravljenje oštećenja dela za hlađenje, posebno dela za razmenu toplote. Materijali korišćeni za ovaj uređaj, mogu se reciklirati ukoliko su označeni simbolom za reciklažu. ♻️

 Oznaka na proizvodu, ili njegovom pakovanju, ukazuje da ovaj proizvod ne sme biti tretiran kao otpad nastao u domaćinstvu. Umesto toga, treba ga ostaviti na odgovarajućem mestu, na kojem se sakuplja električna i elektronska oprema. Osiguravanjem da je proizvod ispravno odložen, pomoćićete sprečavanju potencijalnih negativnih posledica po životnu sredinu i ljudsko zdravlje, koje inače mogu biti uzrokovane nepravilnim odlaganjem otpada ovog uređaja. Za više detalja o recikliranju ovog proizvoda, molimo vas da kontaktirate svoju lokalni organ za zaštitu životne sredine, preduzeće za odlaganje komunalnog otpada ili prodavnicu, u kojoj ste kupili proizvod.

Materijali ambalaže

Materijali označeni ovim simbolom mogu se reciklirati. Ambalažu odložite u odgovarajući konterjner za prikupljanje otpada za reciklažu.

Odlaganje uređaja

1. Prekinite napajanje uređaja strujom.
2. Odsecite kabl za napajanje i odložite ga.

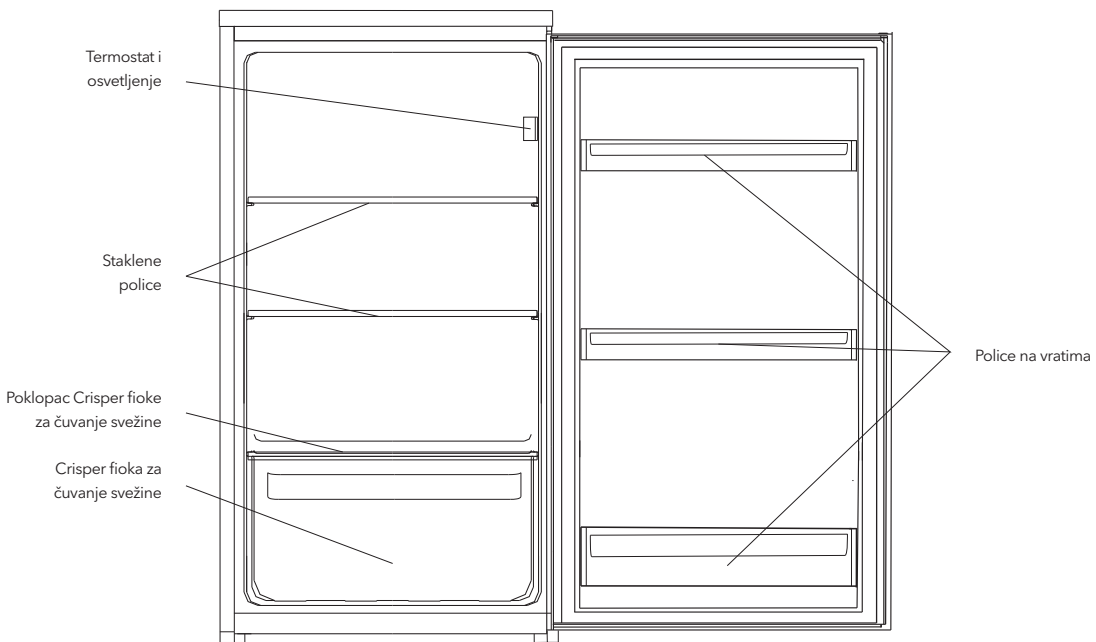


UPOZORENJE!

Prilikom upotrebe, servisiranja i odlaganja uređaja, imajte u vidu oznaku žute ili narandžaste boje, sličnu onoj prikazanoj na slici levo, koja se nalazi na poledini uređaja (tabla ili kompresor na poledini uređaja).

Ova oznaka predstavlja simbol rizika od požara. U cevima za rashladno sredstvo i u kompresoru se nalaze zapaljivi materijali. Molimo Vas da tokom upotrebe, servisiranja i odlaganja, uređaj držite dalje od izvora vatre.

PREGLED PROIZVODA



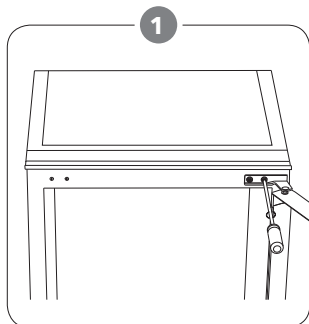
Napomena: Slika iznad je namenjena isključivo u ilustrativne svrhe. Konkretni uređaj će se najverovatnije razlikovati.

UGRADNJA UREĐAJA

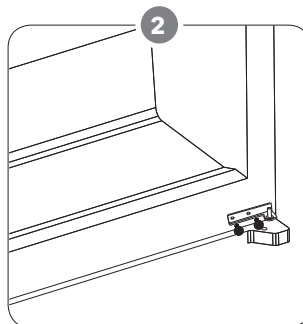
Promena smera otvaranja vrata

Potreban alat: krstasti odvijač, ravni odvijač.

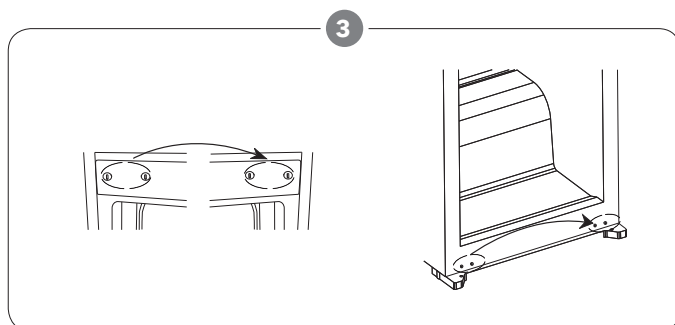
- Uverite se da je jedinica isključena iz utičnice i ispražnjena.
- Da biste skinuli vrata, potrebno je da jedinicu nakrenete unazad. Jedinicu bi trebalo da oslonite na neku čvrstu površinu, kako ne bi proklizala u toku postupka promene smera otvaranja vrata.
- Sve delove koje ste skinuli morate sačuvati kako biste ponovo namontirali vrata.
- Nemojte stavljati jedinicu u horizontalni položaj, jer se tako može oštetiti sistem za protok rashladnog sredstva.
- Najbolje je da, prilikom sklapanja, jedinicom rukuju 2 osobe.



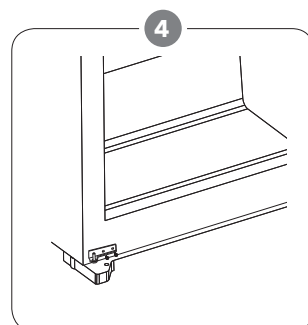
1
Odšrafite gornju šarku. Zatim podignite vrata i smestite ih na obloženu površinu kako biste sprečili nastanak ogrebotina.



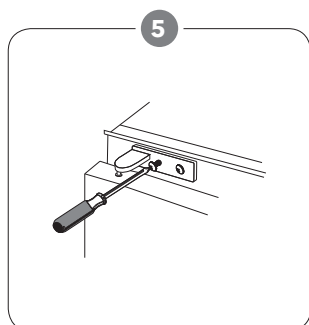
2
Odšrafite donju šarku.



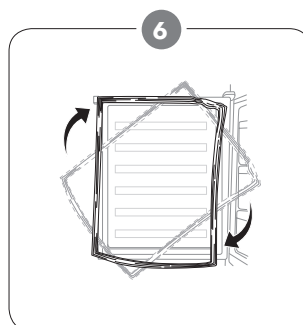
3
Odšrafite i premestite otvore za šrafove sa vrha i dna kućišta sa leve na desnu stranu.



4
Okrenite gornju šarku i postavite je na dno sa leve strane.



5
Ponovo postavite vrata. Pre nego što konačno pričvrstite šarke, uverite se da su vrata i horizontalno i vertikalno u ravni sa otvorom, tako da zaptivka naleže sa svih strana. Zatim okrenite donju šarku, koju ste prethodno skinuli, i postavite je i pričvrstite na prednju gornju stranu jedinice.



6
Izvadite zaptivke sa vrata frižidera i zamrzivača, a zatim ih ponovo pričvrstite, nakon što ih prethodno zarotirate.

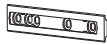
Komplet za postavljanje uređaja



Vodica x 2



Poklopac vodice x 2



Klizač x 2



Poklopac klizača x 2



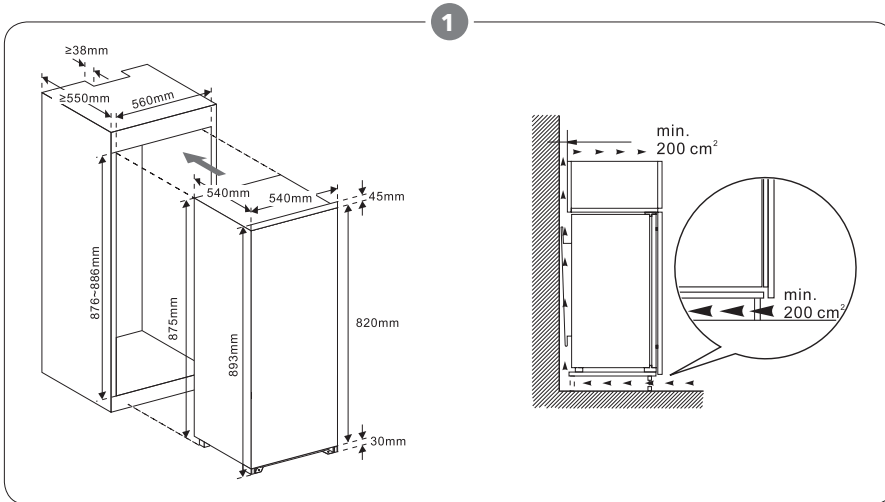
Šraf x 15



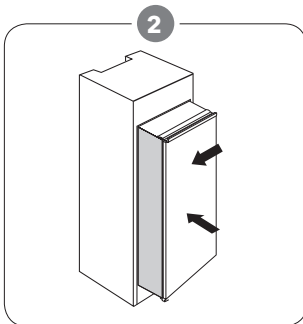
Gumena zaptivka x 1

Postavljanje uređaja

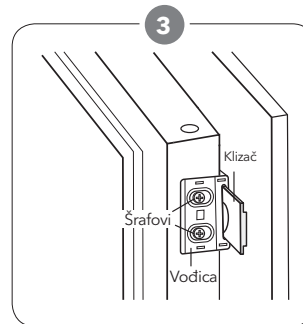
Potreban alat: krstasti odvijač, ravni odvijač, selotejp, olovka.



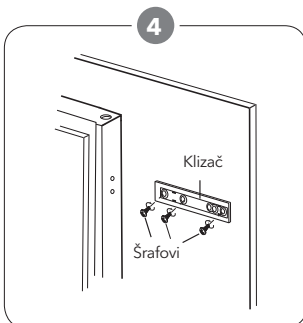
Uverite se da je veličina prostora unutar ugradnog dela i dela za ventilaciju zadovoljavajuća.



Polako i pažljivo gurnite uređaj u ugradni deo. Uverite se je strana sa koje se vrata otvaraju što je moguće bliže zidu ugradnog dela.



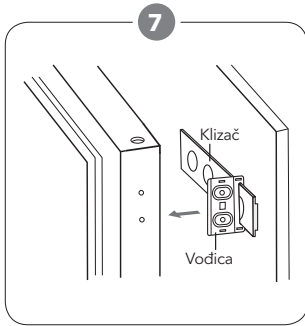
Ukoliko na prednjem delu vrata postoje šrafovi, najpre ih skinite. Pričvrstite vodicu na otvore koji se nalaze sa strane vrata uređaja. Umetnite klizač u vodicu, a zatim potpuno otvorite i zatvorite vrata uređaja i drvena vrata kako biste proverili da li se drvena vrata mogu potpuno i lako zatvoriti.



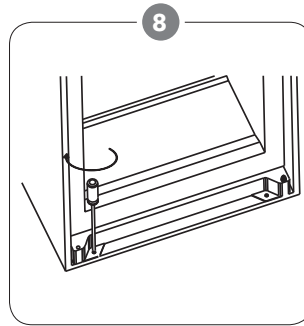
Zajedno otvorite vrata uređaja i drvena vrata, i označite poziciju klizača na onom mestu na kome klizač može da dobro funkcioniše iz svih uglova prilikom zatvaranja ili otvaranja vrata. Izvadite klizač iz vodice i pričvrstite klizač za drvena vrata pomoću tri šrafa. Zatim pričvrstite poklopac klizača na klizač.

5 Odšrafite vodice sa vrata uređaja.

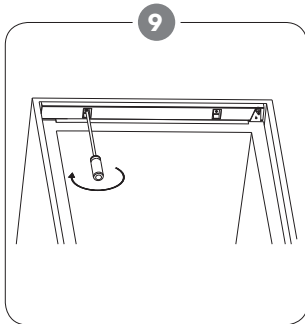
6 Ponovite korake 2 do 5 kako biste pričvrstili još jedan klizač i poklopac.



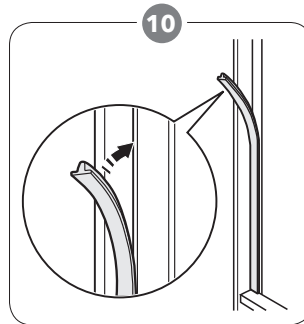
Postavite dve vodice sa klizačima i pričvrstite ih šrafovim. Zatim pričvrstite poklopce vodica za vodice.



Dva puta proverite da li vrata mogu da se lako zatvore i otvore i da li je uređaj dobro zaptiven. Ukoliko to nije slučaj, malo podesite jedinicu. Zatim pričvrstite donji element za pričvršćivanje na drveni ugradni deo.



Pričvrstite gornji element za pričvršćivanje na drveni ugradni deo.



Postavite gumenu zaptivku u prostor između jedinice i drvenog ugradnog dela, sa one strane sa koje se vrata otvaraju.

Pozicioniranje

Postavite ovaj uređaj na mesto čija sobna temperatura odgovara klimatskoj klasi navedenoj na pločici sa podacima o uređaju: kod uređaja za rashlađivanje sa sledećim klimatskim klasama:

- prošireno umerena: ovaj uređaj za rashlađivanje je namenjen za upotrebu na sobnim temperaturama koje se kreću u opsegu od 10°C do 32°C; (SN)
- umerena: ovaj uređaj za rashlađivanje je namenjen za upotrebu na sobnim temperaturama koje se kreću u opsegu od 16°C do 32°C; (N)
- subtropska: ovaj uređaj za rashlađivanje je namenjen za upotrebu na sobnim temperaturama koje se kreću u opsegu od 16°C do 38°C; (ST)
- tropska: ovaj uređaj za rashlađivanje je namenjen za upotrebu na sobnim temperaturama koje se kreću u opsegu od 16°C do 43°C; (T)

Lociranje

Uređaj bi trebalo postaviti što dalje od izvora toplote, poput radijatora, kotlova, direktnog sunca itd.

⚠ UPOZORENJE!

Neophodno je omogućiti isključivanje uređaja iz utičnice; stoga je potrebno da, nakon postavljanja uređaja, utikač bude lako pristupačan.

Povezivanje na električne instalacije

Pre nego što uređaj priključite u struju, uverite se da vrednosti napona i frekvencije, navedene na pločici sa podacima, odgovaraju pomenutim vrednostima u okviru Vašeg domaćinstva. Uređaj mora biti uzemljen. Utikač kabela za napajanje sadrži kontakt namenjen u ovu svrhu. Ukoliko utičnica za napajanje u okviru Vašeg domaćinstva nije uzemljena, uređaj povežite na zasebno uzemljenje, u skladu sa važećim propisima, angažovanjem kvalifikovanog električara. Proizvođač ne prihvata nikakvu odgovornost u slučaju nepoštovanja gorenavedenih mera predostrožnosti. Ovaj uređaj je usaglašen sa E.E.C. direktivama.

SVAKODNEVNA UPOTREBA

Prva upotreba

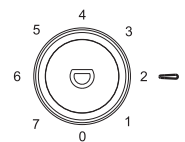
Čišćenje unutrašnjosti uređaja

Pre prve upotrebe uređaja, operite njegovu unutrašnjost, kao i sve unutrašnje dodatne elemente, mlakom vodom i sa malo neutralnog sapuna, kako biste uklonili karakteristični miris koji imaju potpuno novi proizvodi, a zatim temeljno osušite.

VAŽNO! Nemojte upotrebljavati deterdžente ili abrazivne prahove, jer ćete tako oštetiti površinski sloj.

Temperaturna podešavanja

- Priključite svoj uređaj u utičnicu. Unutrašnja temperatura se kontroliše pomoću termostata. Postoji 8 podeoka za podešavanje. Podeok 1 je podešavanje sa najvišom, a podeok 7 sa najnižom temperaturom. Na podeoku 0, uređaj je isključen.
- Uređaj možda neće moći da postigne predviđenu temperaturu ukoliko se nalazi u izuzetno toploj sredini ili ukoliko se vrata uređaja često otvaraju.



Svakodnevna upotreba

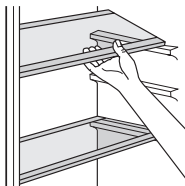
Različitu hranu stavljajte u različite odeljke u skladu sa podacima navedenim u sledećoj tabeli.

Odeljci frižidera	Vrsta hrane
Vrata ili police u vratima odeljka za rashlađivanje	<ul style="list-style-type: none"> Hrana sa prirodnim konzervansima, poput džemova, sokova, pića, dodataka jelu. Nemojte držati lako kvarljivu hranu.
Crisper fioka za čuvanje svežine (fioka za salatu)	<ul style="list-style-type: none"> Voće, začinsko bilje i povrće treba držati zasebno, u crisper fioci za čuvanje svežine. Nemojte držati banane, crni luk, krompir ili beli luk u frižideru.
Polica frižidera - središnja	<ul style="list-style-type: none"> Mlečni proizvodi, jaja;
Polica frižidera - gornja	<ul style="list-style-type: none"> Hrana koju nije potrebno kuvati, poput gotove hrane, mesnih prerađevina, ostataka hrane.

Dodatna oprema

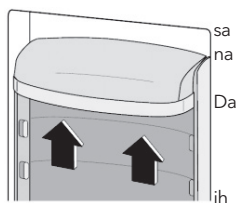
Mobilne police

Zidovi frižidera su opremljeni nizom žlebova, tako da je police moguće postaviti po želji.



Postavljanje policica na vratima

Kako bi se omogućilo držanje ambalaže hranom različitih dimenzija, police vratima se mogu postaviti na različitim visinama. Da biste obavili pomenuta podešavanja, uradite sledeće: postepeno izvlačite police u pravcu strelica sve dok ih potpuno ne izvučete, a zatim ponovo postavite na željeno mesto.



Preporuka za temperaturna podešavanja

Spoljašnja temperatura	Odeljak zamrzivača	Odeljak frižidera
Letnja	/	<p>Podesite na 3-4</p>
Normalna	/	<p>Podesite na 3-4</p>
Zimska	/	<p>Podesite na 2-3</p>

Gorenavedeni podaci predstavljaju preporuke u vezi sa temperaturnim podešavanjima, koje su namenjene korisnicima.

KORISNE IDEJE I SAVETI

Saveti za čuvanje sveže hrane u frižideru

Za maksimalni učinak:

- Nemojte u frižideru držati toplu hranu ili isparljive tečnosti
- Poklopite posudu sa hranom ili umotajte hranu, posebno ako ima snažnu aromu.

Saveti za čuvanje hrane u frižideru

- Pripremljena hrana (svi tipovi): umotajte u polietilenske kese i stavite na staklene police iznad fiok za povrće.
- Iz bezbednosnih razloga, ovako zapakovanu hranu nemojte držati duže od jednog, eventualno dva dana.
- Kuvana hrana, hladna jela itd.: potrebno je poklopiti, nakon čega je možete staviti na bilo koju policu.
- Voće i povrće: potrebno ih je temeljno očistiti i smestiti u jednu ili više posebnih fioka uređaja.
- Maslac i sir: potrebno ih je staviti u posebne, hermetički zatvorene posude ili umotati u aluminijumsku foliju ili polietilenske kese, čime se što je više moguće isključuje kontakt sa vazduhom.
- Boce sa mlekom: potrebno ih je zatvoriti i držati u policama na vratima.
- Ukoliko nisu zapakovani, banane, krompir i crni i beli luk se ne smeju držati u frižideru.

Uticaj na čuvanje hrane

- Pri preporučenim podešavanjima, hranu je u frižideru najbolje čuvati ne duže od 3 dana.
- Preporučeni period čuvanja hrane može postati kraći pri drugim vrednostima podešavanja.

Čišćenje

Iz higijenskih razloga, potrebno je redovno čistiti unutrašnjost uređaja, uključujući unutrašnje dodatne elemente.

OPREZI!

Tokom čišćenja, uređaj ne sme biti povezan sa utičnicom. Opasnost od strujnog udara! Pre čišćenja, isključite uređaj i iskopčajte utikač

iz utičnice ili isključite prekidač ili osigurač. Nikada nemojte uređaj čistiti parocistačem. Vлага se može akumulirati na električnim komponentama, opasnost od strujnog udara! Vrela para može oštetiti plastične delove. Pre nego što ga ponovo stavite u upotrebu, uređaj se mora osušiti.

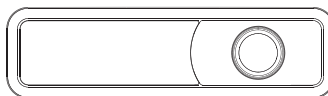
VAŽNO! Eterična ulja i organski rastvarači mogu oštetiti plastične delove, što je, na primer, slučaj sa limunovim sokom ili sokom kore pomorandže, buternom kiselinom, sredstvima za čišćenje koja sadrže sircetnu kiselinu.

- Ne dozvolite da pomenute supstance dođu u dodir sa delovima uređaja.
- Nemojte koristiti nikakva abrazivna sredstva za čišćenje
- Izvadite hranu iz zamrzivača. Čuvajte je na hladnom mestu, dobro poklopljenu.

- Isključite uređaj i iskopčajte utikač iz utičnice ili isključite prekidač ili osigurač.
- Očistite uređaj i unutrašnje dodatne elemente krpom i mlakom vodom. Nakon čišćenja, prebrišite svežom vodom i osušite krpom.
- Kada se uređaj potpuno osuši, stavite ga ponovo u rad.

Zamena lampice

Unutrašnja lampica je po svom tipu LED lampica. Da biste zamenili lampicu, obratite se kvalifikovanom tehničaru.



OTKLANJANJE PROBLEMA

! OPREZI!

Pre nego što započnete postupak otklanjanja problema, prekinite napajanje. Otklanjanje problema koji nisu navedeni u ovom uputstvu treba da obavi isključivo kvalifikovani električar ili druga kompetentna osoba.

VAŽNO! Tokom normalne upotrebe, uređaj proizvodi određene zvuke (kompresor, kretanje tečnosti za rashlađivanje).

Problem	Mogući uzrok	Rešenje
Uređaj ne radi	Dugme za podešavanje temperature je podešeno na podeok „0“.	Podesite dugme na neki drugi podeok kako biste uključili uređaj.
	Utikač nije priključen ili je razlabavljen.	Priključite utikač u utičnicu.
	Osigurač je pregoreo ili je pokvaren.	Proverite osigurač i zamenite ga, po potrebi.
	Utičnica je pokvarena.	Popravljanje neispravne utičnice mora da obavi električar.
Hrana je suviše topla	Temperatura nije pravilno podešena.	Pogledajte odeljak „Temperaturna podešavanja“ na početku.
	Vrata su bila ostavljena otvorena tokom dužeg vremenskog perioda.	Vrata držite otvorena samo onoliko koliko je to neophodno.
	Velika količina tople hrane je stavljena u uređaj u poslednja 24 sata.	Privremeno podesite regulator temperature na niže temperaturne vrednosti.
	Uređaj se nalazi blizu izvora toplote.	Pogledajte odeljak koji se bavi mestom postavljanja uređaja.
Uređaj previše hladi	Temperatura je podešena na previše niske temperaturne vrednosti.	Privremeno podesite dugme za podešavanje temperature na više temperaturne vrednosti.
Neuobičajena buka	Uređaj nije iznivelesan.	Ponovo podesite nožice.
	Uređaj dodiruje zid ili neke druge predmete.	Malo pomerite uređaj.
	Neka od komponenata, npr. cev, na poledini uređaja dodiruje neki drugi deo uređaja ili zid.	Ukoliko je potrebno, pažljivo savijte komponentu kako biste je pomerili.
Voda na podu	Otvor za odlivanje vode je začepljen.	Pogledajte odeljak „Čišćenje“.

Ukoliko se nepravilnost u radu ponovo javi, obratite se servisnom centru.

TESLA

tesla.info