

TESLA

# DISHWASHER

WDI461M

## User Manual

ENG

ALB

BiH/  
CG

GR

HR

HU

MK

RO

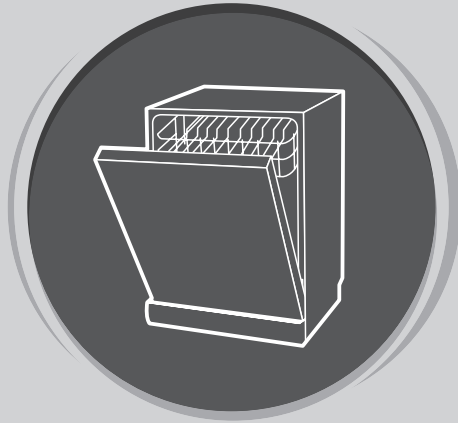
SLO

SRB



Product images are for illustrative purposes only and may differ from the actual product.





# **DISHWASHER**

## User Manual

### **PART I: GENERIC VERSION**

Please read this manual carefully before using the dishwasher and  
Keep this manual for future reference.

# SAFETY INFORMATION

## WARNING!

When using your dishwasher, follow the precautions listed below:

- Installation and repair can only be carried out by a qualified technician
- This appliance is intended to be used in household and similar applications such as:
  - staff kitchen areas in shops, offices and other working environments;
  - farm houses;
  - by clients in hotels, motels and other residential type environments;
  - bed and breakfast type environments.
- This appliance can be used by children aged from 8 years and above and persons with reduced physical, sensory or mental capabilities or lack of experience and knowledge if they have been given supervision or instruction concerning use of the appliance in a safe way and understand the hazards involved.
- Children shall not play with the appliance. Cleaning and user maintenance shall not be done by children without supervision. (For EN60335-1)
- This appliance is not intended for use by persons (including children ) with reduced physical, sensory or mental capabilities, or lack of experience and knowledge, unless they have been given supervision or instruction concerning use of the appliance by a person responsible for their safety. (For IEC60335-1 ) Packaging material could be dangerous for children!
- This appliance is for indoor household use only.
- To protect against the risk of electrical shock, do not immerse the unit, cord or plug in water or other liquid. Please unplug before cleaning and performing maintenance on the appliance.
- Use a soft cloth moistened with mild soap, and then use a dry cloth to wipe it again.

## Grounding Instructions

- This appliance must be earthed. In the event of a malfunction or breakdown, earthing will reduce the risk of an electric shock by providing a path of least resistance of electric current. This appliance is equipped with an earthing conductor plug.
- The plug must be plugged into an appropriate outlet that is installed and earthed in accordance with all local codes and ordinances.
- Improper connection of the equipment-earthing conductor can result in the risk of an electric shock. Check with a qualified electrician or service representative if you are in doubt whether the appliance is properly grounded.
- Do not modify the plug provided with the appliance; If it does not fit the outlet.
- Have a proper outlet installed by a qualified electrician.
- Do not abuse, sit on, or stand on the door or dish

rack of the dishwasher.

- Do not operate your dishwasher unless all enclosure panels are properly in place.
- Open the door very carefully if the dishwasher is operating, there is a risk of water squirting out. Do not place any heavy objects on or stand on the door when it is open. The appliance could tip forward.
- When loading items to be washed:
  - 1) Locate sharp items so that they are not likely to damage the door seal;
  - 2) Warning: Knives and other utensils with sharp points must be loaded in the basket with their points facing down or placed in a horizontal position.
- Some dishwasher detergents are strongly alkaline. They can be extremely dangerous if swallowed.
- Avoid contact with the skin and eyes and keep children away from the dishwasher when the door is open.
- Check that the detergent powder is empty after completion of the wash cycle.
- Do not wash plastic items unless they are marked "dishwasher safe" or the equivalent.
- For unmarked plastic items not so marked, check the manufacturer's recommendations.
- Use only detergent and rinse agents recommended for use in an automatic dishwasher.
- Never use soap, laundry detergent, or hand washing detergent in your dishwasher.
- The door should not be left open, since this could increase the risk of tripping.
- If the supply cord is damaged, it must be replaced by the manufacturer or its service agent or a similarly qualified person in order to avoid a hazard.
- During installation, the power supply must not be excessively or dangerously bent or flattened.
- Do not tamper with controls.
- The appliance needs to be connected to the main water valve using new hose sets. Old sets should not be reused.
- To save energy, in stand by mode , the appliance will switch off automatically while there is no any operation in 15 minutes.

- The maximum number of place settings to be washed is 9.
- The maximum permissible inlet water pressure is 1MPa.
- The minimum permissible inlet water pressure is 0.04MPa.

## Disposal



- For disposing of package and the appliance please go to a recycling center. Therefore cut off the power supply cable and make the door closing device unusable.
- Cardboard packaging is manufactured from recycled paper and should be disposed in the waste paper collection for recycling.
- By ensuring this product is disposed of correctly, you will help prevent potential negative consequences

for the environment and human health, which could otherwise be caused by inappropriate waste handling of this product.

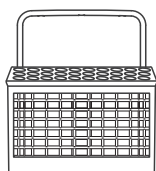
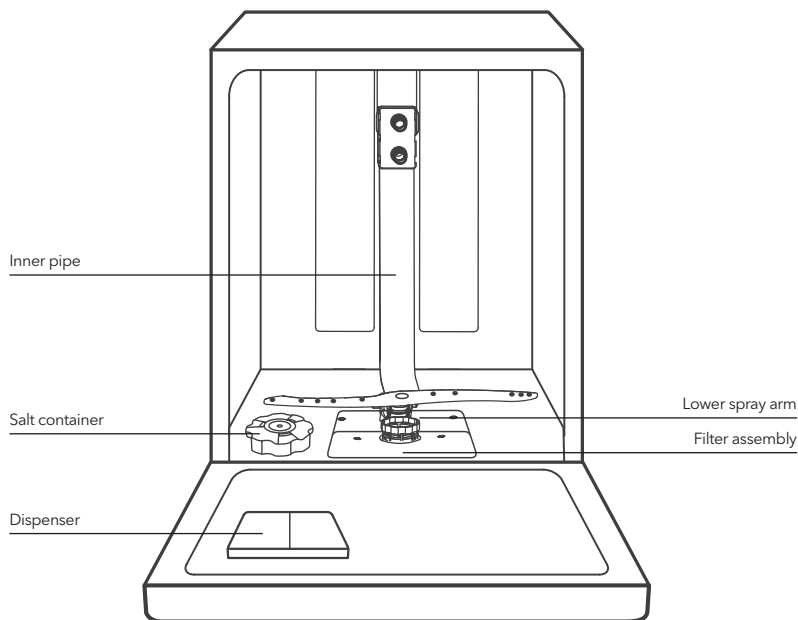
- For more detailed information about recycling of this product, please contact your local city office and your household waste disposal service.

- **DISPOSAL: Do not dispose this product as unsorted municipal waste. Collection of such waste separately for special treatment is necessary.**

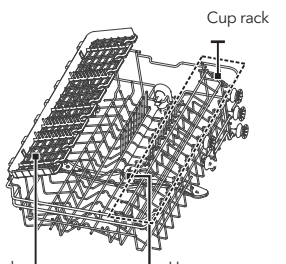
## PRODUCT OVERVIEW

### ! IMPORTANT

To get the best performance from your dishwasher, read all operating instructions before using it for the first time.



Cutlery basket



Cutlery rack  
Upper basket  
Upper spray arm



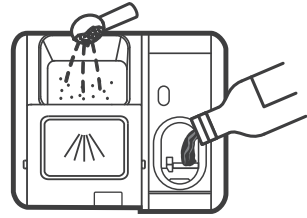
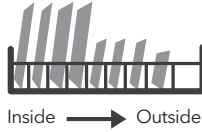
Lower basket

### ☰ NOTE

Pictures are only for reference; different models may be different.

# USING YOUR DISHWASHER

Before using your dishwasher:



1. Set the water softener
2. Loading the salt into the softener

3. Loading the basket
4. Fill the detergent dispenser

## NOTE

Please check the section 1 "Water Softener" of PART II: Special Version, if you need to set the water softener.

## Loading The Salt Into The Softener

## NOTE

If your model does not have any water softener, you may skip this section.

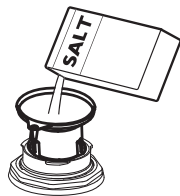
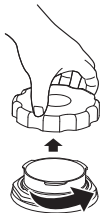
Always use salt intended for dishwasher use.

The salt container is located beneath the lower basket and should be filled as explained in the following:

## WARNING!

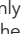
- **Only use salt specifically designed for dishwashers use!**  
Every other type of salt not specifically designed for dishwasher use, especially table salt, will damage the water softener. In case of damages caused by the use of unsuitable salt the manufacturer does not give any warranty nor is liable for any damages caused.
- **Only fill with salt before running a cycle.**  
This will prevent any grains of salt or salty water, which may have been spilled, remaining on the bottom of the machine for any period of time, which may cause corrosion.

Please follow the steps below for adding dishwasher salt:



1. Remove the lower basket and unscrew the reservoir cap.
2. Place the end of the funnel (supplied) into the hole and pour in about 1.5kg of dishwasher salt.
3. Fill the salt container to its maximum limit with water, it is normal for a small amount of water to come out of the salt container.
4. After filling the container, screw back the cap tightly.
5. The salt warning light will turn off after the salt container has been filled with salt.
6. Immediately after filling the salt into the salt container, a washing program should be started (We suggest to use a short program). Otherwise the filter system, pump or other important parts of the machine may be damaged by salty water. This is out of warranty.

### NOTE

- The salt container must only be refilled when the salt warning light (  ) in the control panel comes on. Depending on how well the salt dissolves, the salt warning light may still be on even though the salt container is filled.  
If there is no salt warning light in the control panel (for some models), you can estimate when to fill the salt into the softener by the cycles that the dishwasher has run.
- If salt has spilled, run a soak or quick program to remove it.

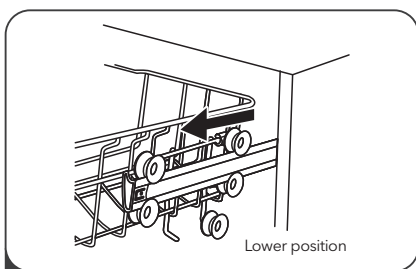
## Basket Loading Tips

### Adjusting the upper basket

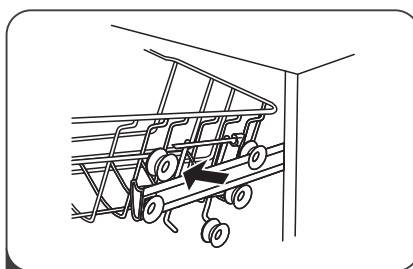
#### Type 1:

The height of the upper basket can be easily adjusted to accommodate taller dishes in either the upper or lower basket.

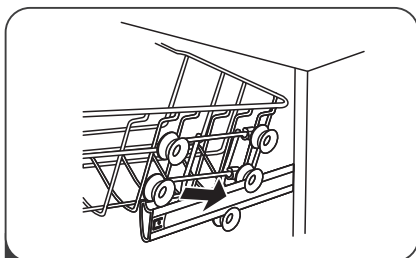
To adjust the height of the upper rack, follow these steps:



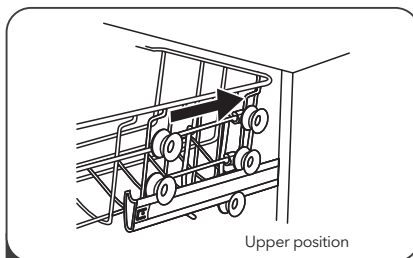
1 Pull out upper basket.



2 Remove upper basket.

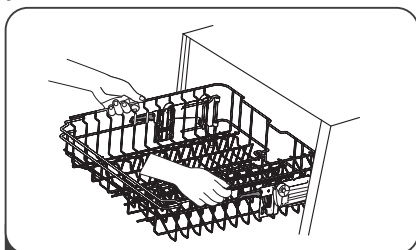


3 Re-attach upper basket to the upper or lower rollers.

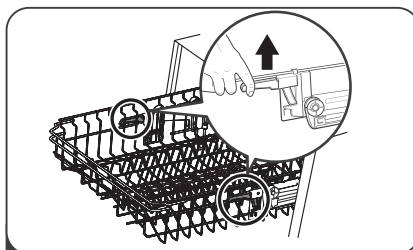


4 Push in upper basket.

#### Type 2:



1 To raise the upper basket, just lift the upper basket at the center of each side until the basket locks into place in the upper position. It is not necessary to lift the adjuster handle.



2 To lower the upper basket, lift the adjust handles on each side to release the basket and lower it to the lower position.

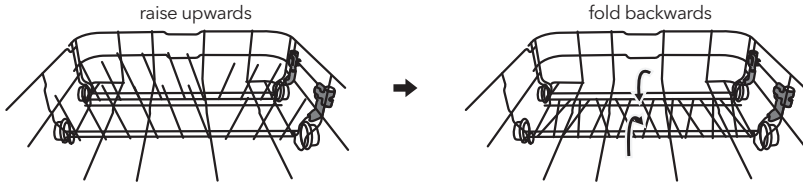
### Folding back the cup shelves

To make room for taller items in the upper basket, raise the cup rack upwards. You can then lean the tall glasses against it. You can also remove it when it is not required for use.



### Folding back the rack shelves

The spikes are used for holding plates and a platter. They can be lowered to make more room for large items.



## MAINTENANCE AND CLEANING

### External Care

#### The door and door seal

Clean the door seals regularly with a soft damp cloth to remove food deposits.

When the dishwasher is being loaded, food and drink residues may drip onto the sides of the dishwasher door. These surfaces are outside the wash cabinet and are not accessed by water from the spray arms. Any deposits should be wiped off before the door is closed.

#### The control panel

If cleaning is required, the control panel should be wiped with a soft damp cloth only.

#### WARNING!

- To avoid penetration of water into the door lock and electrical components, do not use a spray cleaner of any kind.
- Never use abrasive cleaners or scouring pads on the outer surfaces because they may scratch the finish. Some paper towels may also scratch or leave marks on the surface.

### Internal Care

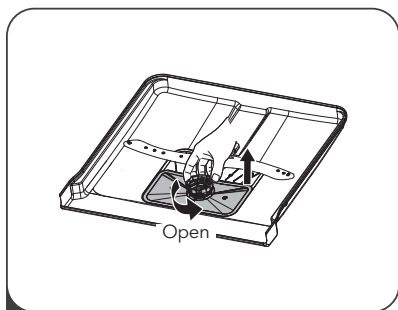
#### Filtering system

The filtering system in the base of the wash cabinet retains coarse debris from the washing cycle, including foreign objects such as tooth picks or shards. The collected coarse debris may cause the filters to clog. Check the condition of the filters regularly, carefully remove foreign objects and clean the parts of the filtering system if necessary with water. Follow the steps below to clean the filter.

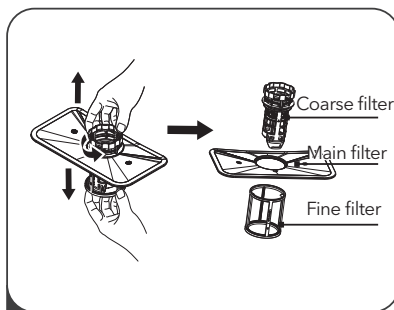
#### NOTE

Pictures are only for reference, different models of the filtering system and spray arms may be different.

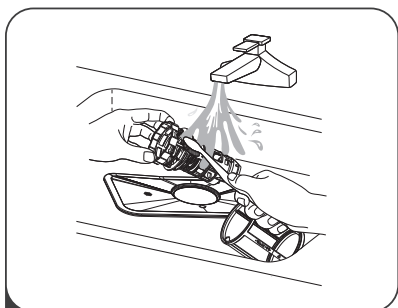




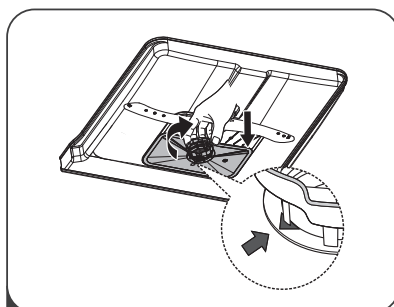
- 1** Hold the coarse filter and rotate it counterclockwise to unlock the filter. Lift the filter upwards and out of the dishwasher.



- 2** The fine filter can be pulled off the bottom of the filter assembly. The coarse filter can be detached from the main filter by gently squeezing the tabs at the top and pulling it away.



- 3** Larger food remnants can be cleaned by rinsing the filter under running water. For a more thorough clean, use a soft cleaning brush.



- 4** Reassemble the filters in the reverse order of the disassembly, replace the filter insert, and rotate clockwise to the close arrow.

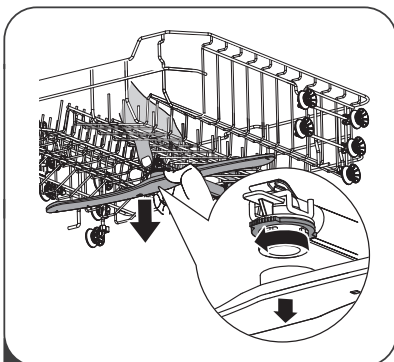
**! WARNING!**

- Do not over tighten the filters. Put the filters back in sequence securely, otherwise coarse debris could get into the system and cause a blockage.
- NEVER use the dishwasher without filters in place. Improper replacement of the filter may reduce the performance level of the appliance and damage dishes and utensils.

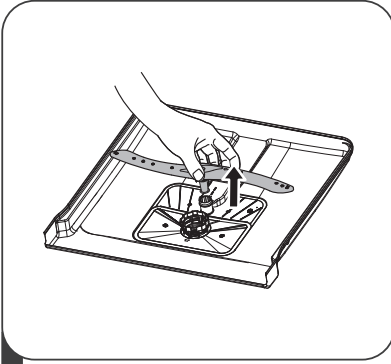
**Spray arms**

It is necessary to clean the spray arms regularly for hard water chemicals will clog the spray arm jets and bearings.

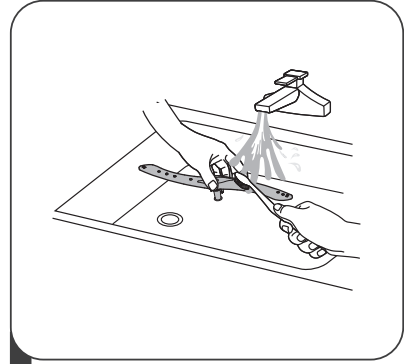
To clean the spray arms, follow the instructions:



- 1** To remove the upper spray arm, hold the nut in the center still and rotate the spray arm counterclockwise to remove it.



**2** To remove the lower spray arm, pull out the spray arm upward.



**3** Wash the arms in soapy and warm water and use a soft brush to clean the jets. Replace them after rinsing them thoroughly.

## Caring For The Dishwasher

### Frost precaution

Please take frost protection measures on the dishwasher in winter. After every washing cycles, please operate as follows:

1. Cut off the electrical power to the dishwasher at the power source.
2. Turn off the water supply and disconnect the water inlet pipe from the water valve.
3. Drain the water from the inlet pipe and water valve. (Use a pan to gather the water)
4. Reconnect the water inlet pipe to the water valve.
5. Remove the filter at the bottom of the tub and use a sponge to soak up water in the sump.

### After every wash

After every wash, turn off the water supply to the appliance and leave the door slightly open for a while so that moisture and odours are not trapped inside.

### Remove the plug

Before cleaning or performing maintenance, always remove the plug from the socket.

### No solvents or abrasive cleaning

To clean the exterior and rubber parts of the dishwasher, do not use solvents or abrasive cleaning products. Only use a cloth with warm soapy water.

To remove spots or stains from the surface of the interior, use a cloth dampened with water and a little vinegar, or a cleaning product made specifically for dishwashers.

### When not in use for a long time

It is recommended that you run a wash cycle with the dishwasher empty and then remove the plug from the socket, turn off the water supply and leave the door of the appliance slightly open. This will help the door seals to last longer and prevent odours from forming within the appliance.

### Moving the appliance

If the appliance must be moved, try to keep it in the vertical position. If absolutely necessary, it can be positioned on its back.

### Seals

One of the factors that cause odours to form in the dishwasher is food that remains trapped in the seals. Periodic cleaning with a damp sponge will prevent this from occurring.

# INSTALLATION INSTRUCTION

## ⚠ WARNING!



### Electrical Shock Hazard

Disconnect electrical power before installing dishwasher.  
Failure to do so could result in death or electrical shock.

## ⚠ ATTENTION!

The installation of the pipes and electrical equipments should be done by professionals.

## About Power Connection

## ⚠ WARNING!

For personal safety:

- Do not use an extension cord or an adapter plug with this appliance.
- Do not, under any circumstances, cut or remove the grounding connection from the power cord.

### Electrical requirements

Please look at the rating label to know the rating voltage and connect the dishwasher to the appropriate power supply. Use the required fuse 10A/13A/16A, time delay fuse or circuit breaker recommended and provide separate circuit serving only this appliance.

### Electrical connection

Ensure the voltage and frequency of the power being corresponds to those on the rating plate. Only insert the plug into an electrical socket which is earthed properly. If the electrical socket to which the appliance must be connected is not appropriate for the plug, replace the socket, rather than using a adaptors or the like as they could cause overheating and burns.

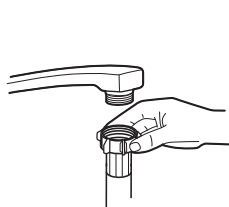
⚠ **Ensure that proper grounding exists before use.**

## Water Supply and Drain

### Cold water connection

Connect the cold water supply hose to a threaded 3/4(inch) connector and make sure that it is fastened tightly in place.

If the water pipes are new or have not been used for an extended period of time, let the water run to make sure that the water is clear. This precaution is needed to avoid the risk of the water inlet to be blocked and damage the appliance.



Ordinary supply hose



Safety supply hose

### About the safety supply hose

The safety supply hose consists of the double walls. The hose's system guarantees its intervention by blocking the flow of water in case of the supply hose breaking and when the air space between the supply hose itself and the outer corrugated hose is full of water.

## ⚠ WARNING!

A hose that attaches to a tap spray can burst if it is installed on the same water line as the dishwasher. If your sink has one, it is recommended that the hose be disconnected and the hole plugged.

**How to connect the safety supply hose**

1. Pull the safety supply hoses completely out from storage compartment located at rear of dishwasher.
2. Tighten the screws of the safety supply hose to the faucet with thread 3/4inch.
3. Turn the water fully on before starting the dishwasher.

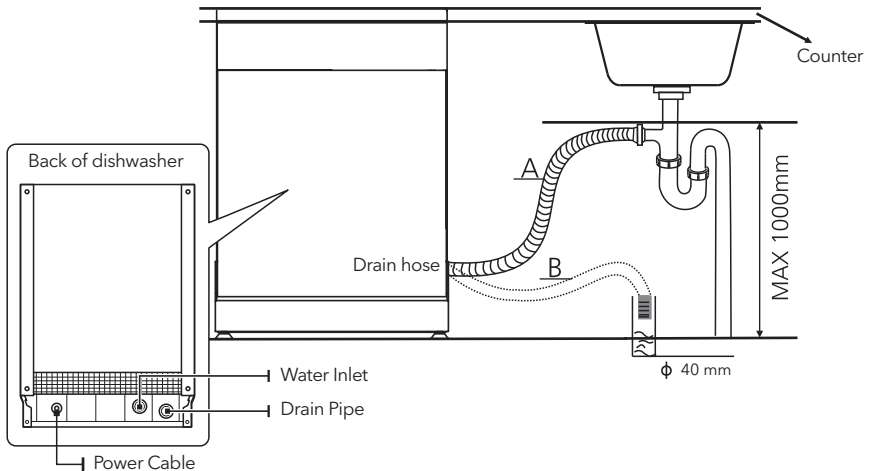
**How to disconnect the safety supply hose**

1. Turn off the water.
2. Unscrew the safety supply hose from the faucet.

## Connection of Drain Hoses

Insert the drain hose into a drain pipe with a minimum diameter of 4 cm, or let it run into the sink, making sure to avoid bending or crimping it. The height of drain pipe must be less than 1000mm. The free end of the hose must not be immersed in water to avoid the back flow of it.

**⚠ Please securely fix the drain hose in either position A or position B**

**How to drain excess water from hoses**

If the connection to the drain pipe is positioned higher than 1000 mm, excess water may remain in the drain hose. It will be necessary to drain excess water from hoses into a bowl or suitable container that is held outside and lower than the sink.

**Water outlet**

Connect the water drain hose. The drain hose must be correctly fitted to avoid water leaks. Ensure that the water drain hose is not kinked or squashed.

**Extension hose**

If you need a drain hose extension, make sure to use a similar drain hose. It must be no longer than 4 meters; otherwise the cleaning effect of the dishwasher could be reduced.

**Syphon connection**

The waste connection must be at a height less than 100 cm (maximum) from the bottom of the dishwasher. The water drain hose should be fixed.

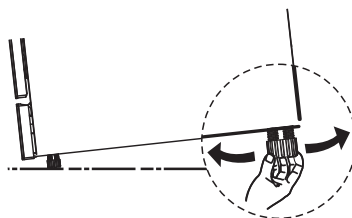
## Positioning The Appliance

Position the appliance in the desired location. The back should rest against the wall behind it, and the sides, along the adjacent cabinets or walls. The dishwasher is equipped with water supply and drain hoses that can be positioned either to the right or the left sides to facilitate proper installation.

### Levelling the appliance

Once the appliance is positioned for levelling, the height of the dishwasher may be altered via adjustment of the screwing level of the feet.

In any case, the appliance should not be inclined more than 2°.



### NOTE

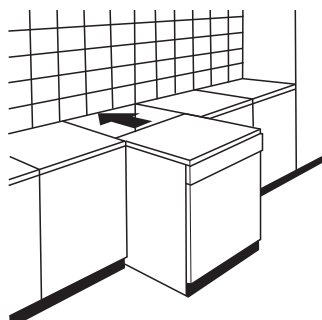
Only apply to the free standing dishwasher.

## Free Standing Installation

### Fitting between existing cabinets

The height of the dishwasher, 845 mm, has been designed in order to allow the machine to be fitted between existing cabinets of the same height in modern fitted kitchens. The feet can be adjusted so that correct height is reached.

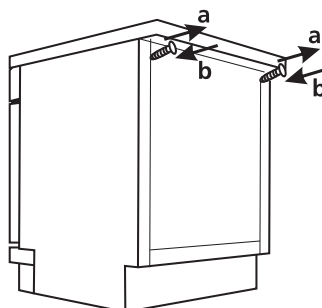
The laminated top of the machine does not require any particular care since it is heatproof, scratchproof and stainproof.



### Underneath existing work top

(When fitting beneath a work top)

In most modern fitted kitchens there is only one single work top under which cabinets and electrical appliances are fitted. In this case remove the work top of the dishwasher by unscrewing the screws under the rear edge of the top (a).



### ! ATTENTION!

After removing the work top, the screws must be screwed again under the rear edge of the top (b).

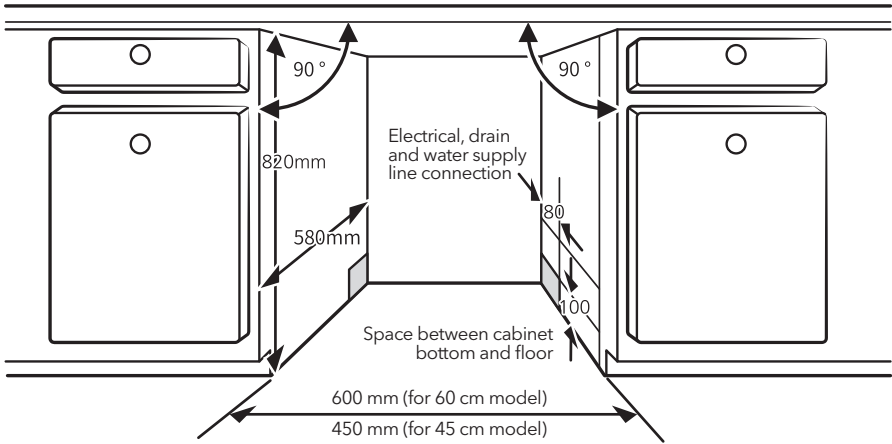
The height will then be reduced to 815 mm, as scheduled by the International Regulations (ISO) and the dishwasher will fit perfectly under the kitchen working top.

## Built-In Installation (for the integrated model)

### Step 1. Selecting the best location for the dishwasher

The installation position of the dishwasher should be near the existing inlet and drain hose and power cord. Illustrations of cabinet dimensions and installation position of the socket.

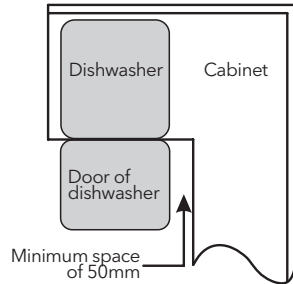
1. Less than 5 mm between the top of dishwasher and cabinet and the outer door aligned to cabinet.



2. If dishwasher is installed at the corner of the cabinet, there should be some space when the door is opened.

**NOTE**

Depending on where your electrical outlet is, you may need to cut a hole in the opposite cabinet side.



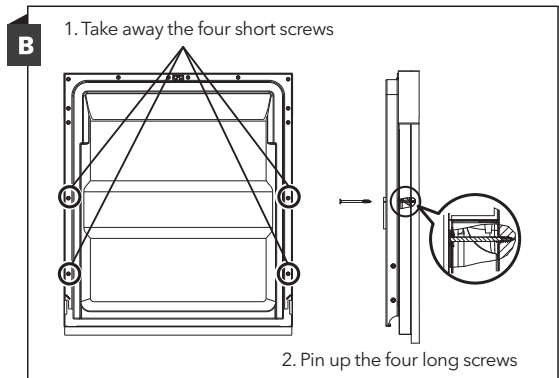
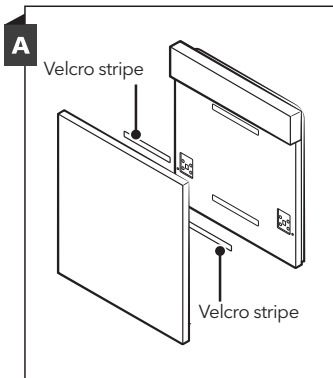
**Step 2. Aesthetic panel's dimensions and installation**

**NOTE**

The aesthetic wooden panel could be processed according to the installation drawings.

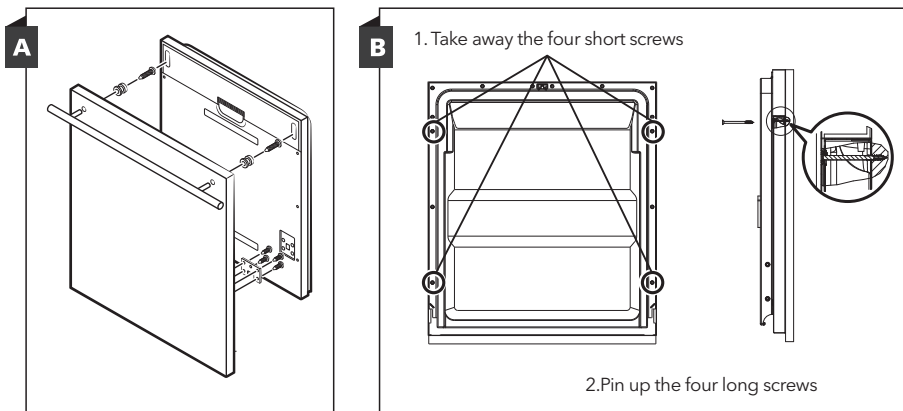
**Semi-integrated model**

Separate velcro stripe A and velcro stripe B and attach velcro stripe A on the inner side of the aesthetic panel. Attach the felted velcro stripe B on the outer door of dishwasher (see figure A). After positioning of the panel, fix the panel onto the outer door by screws and bolts (See figure B).



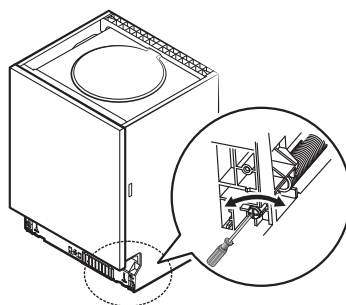
### Fully-integrated model

Install the hook on the aesthetic wooden panel and put the hook into the slot of the outer door of dishwasher (see figure A). After positioning of the panel, fix the panel onto the outer door by screws and bolts (See figure B).



### Step 3. Tension adjustment of the door

1. The door springs are set at the factory to the proper tension for the outer door. If aesthetic wooden panel are installed, you will have to adjust the door spring tension. Rotate the adjusting screw to drive the adjustor to strain or relax the steel cable.
2. Door spring tension is correct when the door remains horizontal in the fully opened position, yet rises to a close with the slight lift of a finger

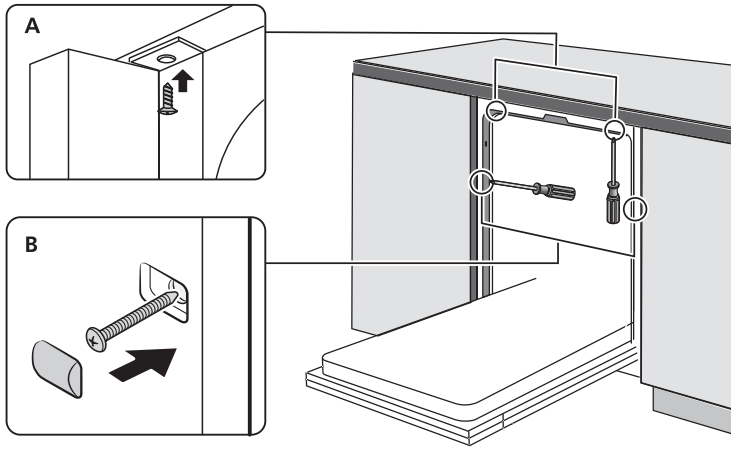


### Step 4. Dishwasher installation steps

#### NOTE

Please refer to the specific installation steps in the installation drawings.

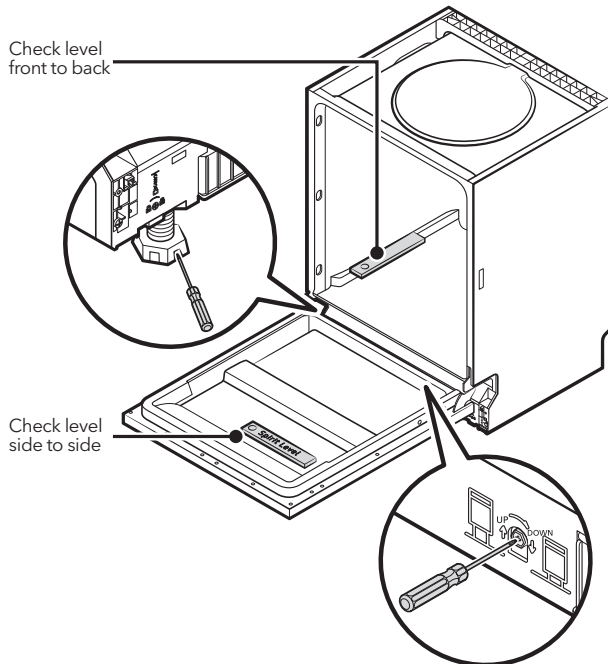
1. Affix the condensation strip under the work surface of cabinet. Please ensure the condensation strip is flush with edge of work surface. (Step 2)
2. Connect the inlet hose to the cold water supply.
3. Connect the drain hose.
4. Connect the power cord.
5. Place the dishwasher into the cabinet.
6. Level the dishwasher. The rear foot can be adjusted from the front of the dishwasher by turning the Philips screw in the middle of the base of dishwasher use a Philips screw driver. To adjust the front feet, use a flat screw driver and turn the front feet until the dishwasher is level. (Step 5 to Step 6)
7. Install the furniture door to the outer door of the dishwasher. (Step 7 to Step 10)
8. Adjust the tension of the door springs by using a Philips screw driver turning in a clockwise motion to tighten the left and right door springs. Failure to do this could cause damage to your dishwasher. (Step 11)
9. The dishwasher must be secured in place. There are two ways to do this:
  - A. Normal work surface: Put the installation hook into the slot of the side plane and secure it to the work surface with the the screws.
  - B. Marble or granite work top: Fix the side with screws.



### Step 5. Levelling the dishwasher

Dishwasher must be level for proper dish rack operation and wash performance.

1. Place a spirit level on door and rack track inside the tub as shown to check that the dishwasher is level.
2. Level the dishwasher by adjusting the three levelling legs individually.
3. When level the dishwasher, please pay attention not to let the dishwasher tip over.



#### NOTE

maximum adjustment height of the feet is 50 mm.



# TROUBLESHOOTING TIPS

## Before Calling for Service

Reviewing the charts on the following pages may save you from calling for service.

Problem	Possible Causes	What to Do
Dishwasher doesn't start	Fuse blown, or the circuit break tripped.	Replace fuse or reset circuit breaker. Remove any other appliances sharing the same circuit with the dishwasher.
	Power supply is not turned on.	Make sure the dishwasher is turned on and the door is closed securely. Make sure the power cord is properly plugged into the wall socket.
	Water pressure is low	Check that the water supply is connected properly and the water is turned on.
	Door of dishwasher not properly closed.	Make sure to close the door properly and latch it.
Water not pumped form dishwasher	Twisted or trapped drain hose.	Check the drain hose.
	Filter clogged.	Check the filter system.
	Kitchen sink clogged.	Check the kitchen sink to make sure it is draining well. If the problem is the kitchen sink that is not draining, you may need a plumber rather than a serviceman for dishwashers.
Foam in the tub	Wrong detergent.	Use only the special dishwasher detergent to avoid suds. If this occurs, open the dishwasher and let suds evaporate. Add 1 liter of cold water to the bottom of the dishwasher. Close the dishwasher door, then select any cycle. Initially, the dishwasher will drain out the water. Open the door after draining stage is complete and check if the suds have disappeared. Repeat if necessary.
	Spilled rinse aid.	Always wipe up rinse aid spills immediately.
Stained tub interior	Detergent with colorant may have been used.	Make sure that the detergent has no colorant.
White film on inside surface	Hard water minerals.	To clean the interior, use a damp soft cloth with dishwasher detergent and wear rubber gloves. Never use any other cleaner than dishwasher detergent otherwise, it may cause foaming or suds.

<b>Problem</b>	<b>Possible Causes</b>	<b>What to Do</b>
There are rust stains on cutlery	The affected items are not corrosion resistant.	Avoid washing items that are not corrosion resistant in the dishwasher.
	A program was not run after dishwasher salt was added. Traces of salt have gotten into the wash cycle.	Always run a wash program without any crockery after adding salt. Do not select the Turbo function (if present), after adding dishwasher salt.
	The lid of the softer is loose.	Check the softener lid is secure.
Knocking noise in the dishwasher	A spray arm is knocking against an item in a basket	Interrupt the program and rearrange the items which are obstructing the spray arm.
Rattling noise in the dishwasher	Items of crockery are loose in the dishwasher.	Interrupt the program and rearrange the items of crockery.
Knocking noise in the water pipes	This may be caused by on-site installation or the cross-section of the piping.	This has no influence on the dishwasher function. If in doubt, contact a qualified plumber.
The dishes are not clean	The dishes were not loaded correctly.	See PART II "Preparing And Loading Dishes".
	The program was not powerful enough.	Select a more intensive program.
	Not enough detergent was dispensed	Use more detergent, or change your detergent.
	Items are blocking the movement of the spray arms.	Rearrange the items so that the spray can rotate freely.
	The filter combination is not clean or is not correctly fitted in the base of wash cabinet. This may cause the spray arm jets to get blocked.	Clean and fit the filter correctly. Clean the spray arm jets.
Cloudiness on glassware.	Combination of soft water and too much detergent.	Use less detergent if you have soft water and select a shorter cycle to wash the glassware and to get them clean.
White spots appear on dishes and glasses.	Hard water area can cause limescale deposits.	Check water softener settings or fill status of salt container.
Black or grey marks on dishes	Aluminum utensils have rubbed against dishes	Use a mild abrasive cleaner to eliminate those marks.
Detergent left in dispenser	Dishes block detergent dispenser	Re-loading the dishes properly.
The dishes aren't drying	Improper loading	Use gloves if detergent residue can be found on dishes to avoid skin irritations.
	Dishes are removed too soon	Do not empty your dishwasher immediately after washing. Open the door slightly so that the steam can come out. Take out the dishes until the inside temperature is safe to touch. Unload the lower basket first to prevent the dropping water from the upper basket.

Problem	Possible Causes	What to Do
The dishes aren't drying	Wrong program has been selected.	With a short program, the washing temperature is lower, decreasing cleaning performance. Choose a program with a long washing time.
	Use of cutlery with a low-quality coating.	Water drainage is more difficult with these items. Cutlery or dishes of this type are not suitable for washing in the dishwasher.

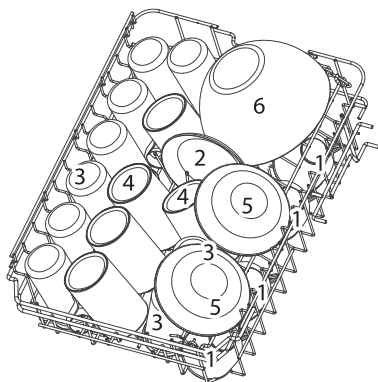
**WARNING!**

Self-repair or non-professional repair may cause serious risks to the safety of the user of the appliance and impact warranty.

## LOADING THE BASKETS ACCORDING TO EN60436

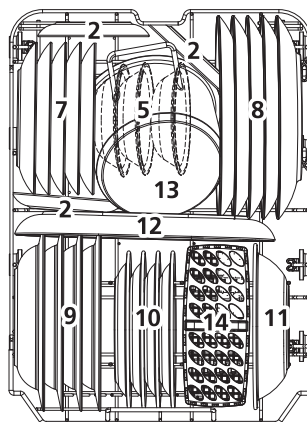
Loading the dishwasher to its full capacity will contribute to energy and water savings.

### 1. Upper basket:



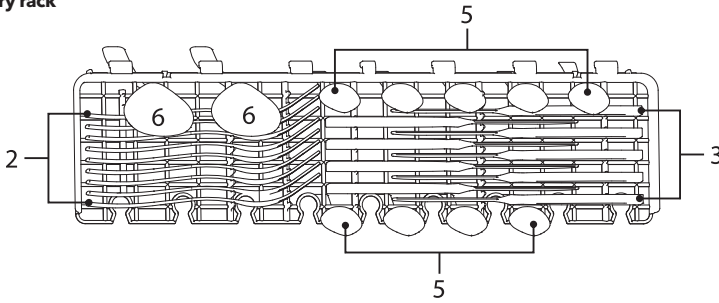
Number	Item
1	Cups
2	Saucers
3	Glasses
4	Mugs
5	Dessert bowls
6	Glass bowl

### 2. Lower basket:



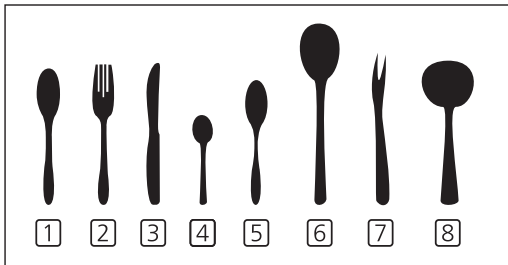
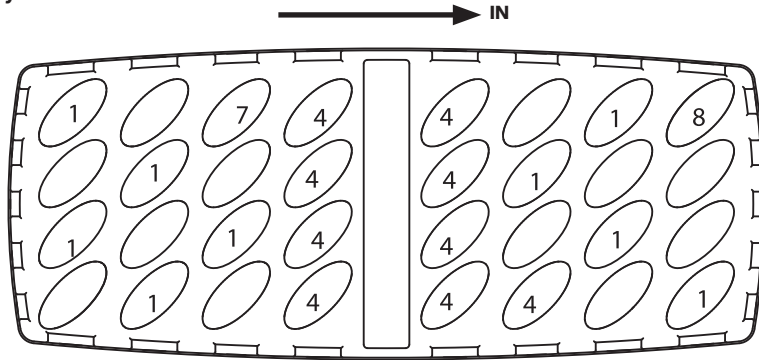
Number	Item
7	Dessert plates
8	Dinner plates
9	Soup plates
10	Melamine dessert plates
11	Melamine bowl
12	Oval platter
13	Small pot
14	Cutlery basket

**3. Cutlery rack**



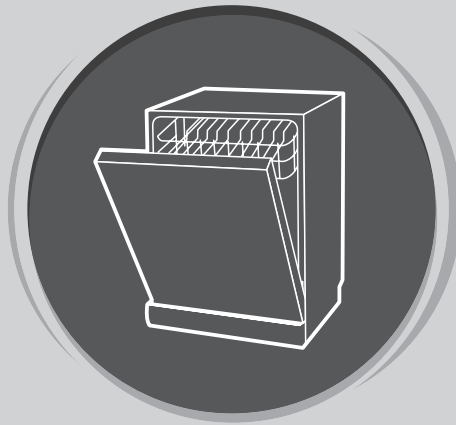
**NOTE** Please place the light flat wares on the shelf. The maximum loading weight is 1.5kg.

**4. Cutlery basket**



Number	Item
1	Soup spoons
2	Forks
3	Knives
4	Tea spoons
5	Dessert spoons
6	Serving spoons
7	Serving forks
8	Gravy ladles

Information for comparability tests in accordance with EN60436  
 Capacity: 9 place settings  
 Position of the upper basket: lower position  
 Program: ECO  
 Rinse aid setting: MAX  
 Softener setting: H3



# **DISHWASHER**

## User Manual

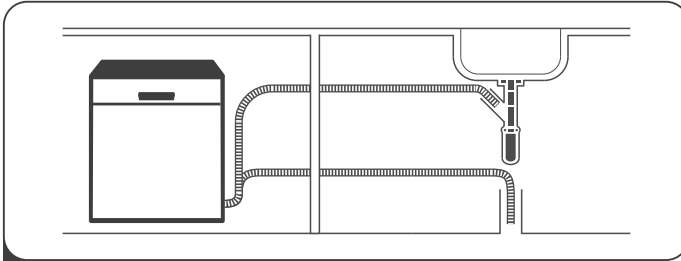
### **PART II: SPECIAL VERSION**

### **WDI461M**

Please read this manual carefully before using the dishwasher and  
Keep this manual for future reference.

# QUICK USER GUIDE

Please read the corresponding content on the instruction manual for detailed operating method.

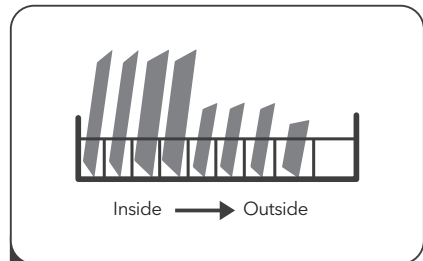


**1** Install the dishwasher

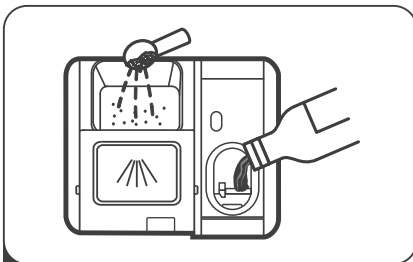
**(Please check the section 5 "INSTALLATION INSTRUCTION " of PART I: Generic Version.)**



**2** Remove larger residue from dishes.  
Avoid pre-rinsing.



**3** Load the baskets.



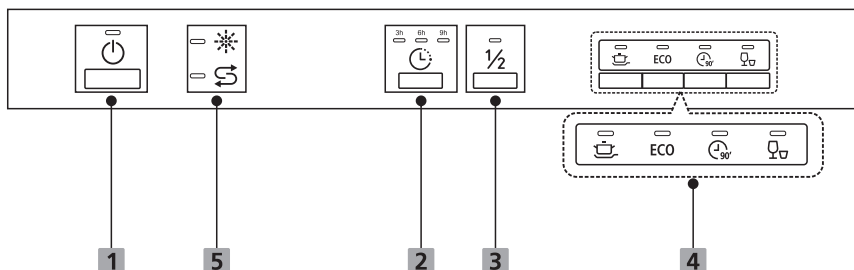
**4** Fill the dispenser with detergent and rinse aid.



**5** Select a suitable program and start the dishwasher.

# USING YOUR DISHWASHER





## Control Panel





### Operation (Button)

- 1** Power Press this button to turn on your dishwasher, the screen lights up.
- 2** Delay Press the button to set the delay time.
- 3** Half-load When you have about or less than half of full place settings dishware to wash, you can choose this function to save energy and water. (It can only be used with Intensive, ECO, 90 min.)

Select the appropriate washing program, the selected program indicator will be lit.

- 4** Program
  -  **Intensive**  
Heavily soiled items include pots and pans. With dried on food.
  -  **ECO**  
This is the standard program suitable for normally soiled loads, such as pots, plates, glasses and lightly soiled pans.
  -  **90 min**  
For normally soiled loads that need quick wash.
  -  **Rapid**  
A shorter wash for lightly soiled loads that do not need drying.

### Display

- 5** Warning indicator
  -  **Rinse Aid**  
If the "☀️" indicator is lit, it means the dishwasher is low on dishwasher rinse aid and requires a refill.
  -  **Salt**  
If the "🌀" indicator is lit, it means the dishwasher is low on dishwasher salt and needs to be refilled.

## Water Softener

The water softener must be set manually, using the water hardness dial.

The water softener is designed to remove minerals and salts from the water, which would have a detrimental or adverse effect on the operation of the appliance.

The more minerals there are, the harder your water is.

The softener should be adjusted according to the hardness of the water in your area. Your local Water Authority can advise you on the hardness of the water in your area.

### Adjusting salt consumption

The dishwasher is designed to allow for adjustment in the amount of salt consumed based on the hardness of the water used. This is intended to optimise and customise the level of salt consumption.

Please follow the steps below for adjustment in salt consumption.

1. Open the door, switch on the appliance;
2. Within 60 seconds after the appliance was switched on press the Rapid button for more than 5 seconds to enter the water softener setting mode.
3. Press the Rapid button again to select the proper set according to your local environment, the setting will change in the following sequence:  
H3->H4->H5->H6->H1->H2->H3;
4. Press the Power button to end the setting mode.

WATER HARDNESS				Water softener level	Regeneration occurs every X program sequence <sup>1)</sup>	Salt consumption (gram/cycle)
German dH *	French fH **	British Clarke ***	Mmol/l			
0 - 5	0 - 9	0 - 6	0 - 0.94	H1->Rapid Light bright	No regeneration	0
6 - 11	10 - 20	7 - 14	1.0 - 2.0	H2->90 min Light bright	10	9
12 - 17	21 - 30	15 - 21	2.1 - 3.0	H3->90 min, Rapid Light bright	5	12
18 - 22	31 - 40	22 - 28	3.1 - 4.0	H4->ECO Light bright	3	20
23 - 34	41 - 60	29 - 42	4.1 - 6.0	H5->ECO, Rapid Light bright	2	30
35 - 55	61 - 98	43 - 69	6.1 - 9.8	H6->ECO, 90 min Light bright	1	60

1 dH=1.25 Clarke=1.78 fH=0.178mmol/l

The manufactory setting: H3

Contact your local water board for information on the hardness of your water supply.

<sup>1)</sup> Every cycle with a regeneration operation consumes additional 2.0 litres of water, the energy consumption increases by 0.02 kWh and the program extends by 4 minutes.

### NOTE

Please check the section 3 "Loading The Salt Into The Softener" of PART I: Generic Version, If your dishwasher lacks salt.

### NOTE

**If your model does not have any water softener, you may skip this section.**

### Water Softener

The hardness of the water varies from place to place. If hard water is used in the dishwasher, deposits will form on the dishes and utensils.

The appliance is equipped with a special softener that uses a salt container specifically designed to eliminate lime and minerals from the water.



## Preparing And Loading Dishes

- Consider buying utensils which are identified as dishwasher-proof.
- For particular items, select a program with the lowest possible temperature.
- To prevent damage, do not take glass and cutlery out of the dishwasher immediately after the program has ended.

### For washing the following cutlery/dishes

#### Are not suitable

- Cutlery with wooden, horn china or mother-of-pearl handles
- Plastic items that are not heat resistant
- Older cutlery with glued parts that are not temperature resistant
- Bonded cutlery items or dishes
- Pewter or cooper items
- Crystal glass
- Steel items subject to rusting
- Wooden platters
- Items made from synthetic fibres

#### Are of limited suitability

- Some types of glasses can become dull after a large number of washes
- Silver and aluminum parts have a tendency to discolour during washing
- Glazed patterns may fade if machine washed frequently

### Recommendations for loading the dishwasher

Scrape off any large amounts of leftover food. Soften remnants of burnt food in pans. It is not necessary to rinse the dishes under running water.

For best performance of the dishwasher, follow these loading guidelines.

**(Features and appearance of baskets and cutlery baskets may vary from your model.)**

Place objects in the dishwasher in following way:

- Items such as cups, glasses, pots/pans, etc. are faced downwards.
- Curved items, or ones with recesses, should be loaded aslant so that water can run off.
- All utensils are stacked securely and can not tip over.
- All utensils are placed in the way that the spray arms can rotate freely during washing.
- Load hollow items such as cups, glasses, pans etc. With the opening facing downwards so that water cannot collect in the container or a deep base.
- Dishes and items of cutlery must not lie inside one another, or cover each other.
- To avoid damage, glasses should not touch one another.
- The upper basket is designed to hold more delicate and lighter dishware such as glasses, coffee and tea cups.
- Long bladed knives stored in an upright position are a potential hazard!
- Long and / or sharp items of cutlery such as carving knives must be positioned horizontally in the upper basket.
- Please do not overload your dishwasher. This is important for good results and for reasonable consumption of energy.

#### NOTE

Very small items should not be washed in the dishwasher as they could easily fall out of the basket.

### Removing the dishes

To prevent water dripping from the upper basket into the lower basket, we recommend that you empty the lower basket first, followed by the upper basket.

#### WARNING!



**Items will be hot!** To prevent damage, do not take glass and cutlery out of the dishwasher for around 15 minutes after the program has ended.

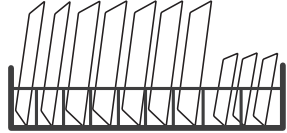
### Loading the upper basket

The upper basket is designed to hold more delicate and lighter dishware such as glasses, coffee and tea cups and saucers, as well as plates, small bowls and shallow pans (as long as they are not too dirty). Position the dishes and cookware so that they will not get moved by the spray of water.



### Loading the lower basket

We suggest that you place large and difficult to clean items into the lower basket: such as pots, pans, lids, serving dishes and bowls, as shown in the figure below. It is preferable to place serving dishes and lids on the side of the racks in order to avoid blocking the rotation of the top spray arm. The maximum diameter advised for plates in front of the detergent dispenser is of 19 cm, this not to hamper the opening of it.



### Loading the cutlery basket

Cutlery should be placed in the cutlery basket separate from each other in the appropriate positions. Avoid nesting of the cutlery to prevent insufficient cleaning performance.

#### WARNING!



Do not let any item extend through the bottom.  
Always load sharp utensils with the sharp point down!

#### NOTE

For the best washing effect, please load the baskets refer to standard loading options on last section of PART I: Generic Version

## Function Of The Rinse Aid And Detergent


The rinse aid is released during the final rinse to prevent water from forming droplets on your dishes, which can leave spots and streaks. It also improves drying by allowing water to roll off the dishes. Your dishwasher is designed to use liquid rinse aids.

#### WARNING!

Only use branded rinse aid for dishwasher. Never fill the rinse aid dispenser with any other substances (e.g. Dishwasher cleaning agent, liquid detergent). This would damage the appliance.

### When to refill the rinse aid dispenser

The regularity of the dispenser needing to be refilled depends on how often dishes are washed and the rinse aid setting used.

The Low Rinse Aid indicator () will be lit when more rinse aid is needed.

Do not overfill the rinse aid dispenser.

### Function of detergent

The chemical ingredients that compose the detergent are necessary to remove, crush and dispense all dirt out of the dishwasher. Most of the commercial quality detergents are suitable for this purpose.

#### WARNING!

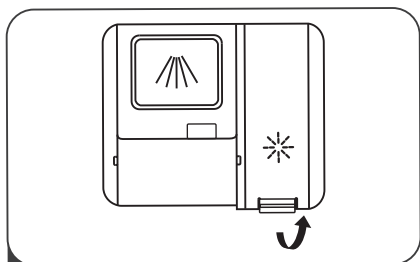
### Proper Use of Detergent

Use only detergent specifically made for dishwashers use. Keep your detergent fresh and dry.  
Do not fill detergent into the dispenser until you are ready to start the dishwasher.

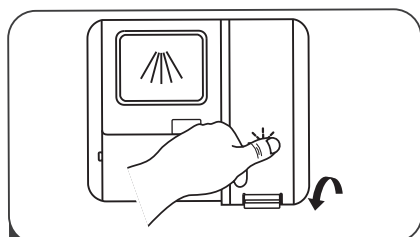


**Dishwasher detergent is corrosive!**  
**Keep dishwasher detergent out of the reach of children.**

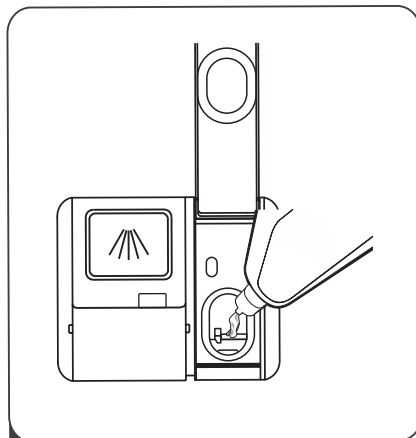
## Filling The Rinse Aid Reservoir



1 Remove the rinse reservoir cap by lifting up the handle .



3 Close the cap after all.



2 Pour the rinse aid into the dispenser, being careful not to overflow.

### Adjusting the rinse aid reservoir

To achieve a better drying performance with limited rinse aid, the dishwasher is designed to adjust the consumption by user. Follow the below steps.

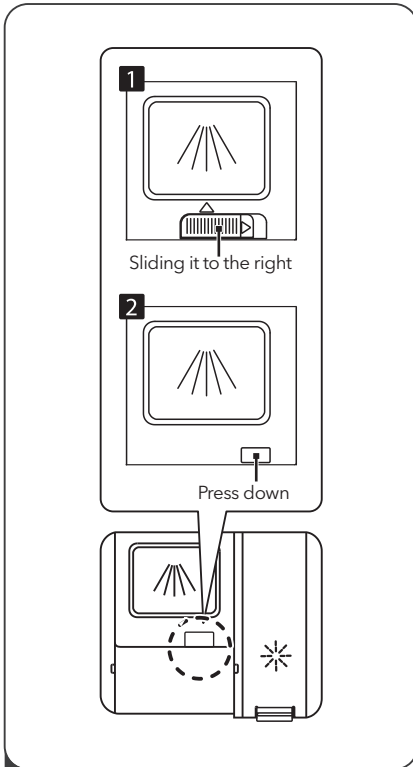
1. Open the door, Switch on the appliance.
2. Within 60 seconds after step 1, press the Rapid button more than 5 seconds, and then press the Delay button to enter the set model, the rinse aid indication blinks as 1Hz frequency.
3. Press the Rapid button to select the proper set according to your using habits, the sets will change in the following sequence: D1->D2->D3->D4->D5->D1.  
The higher the number, the more rinse aid the dishwasher uses.
4. Press the Power button to end the setup model.

#### Rinse aid level

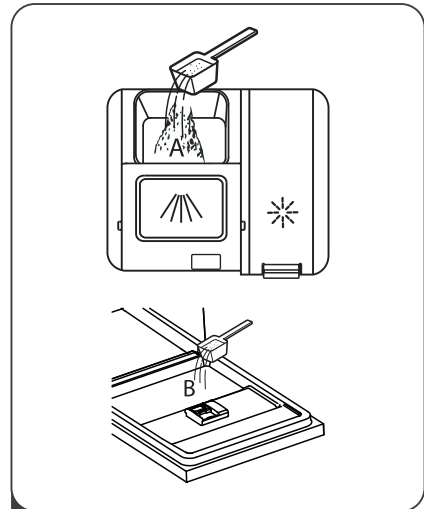
#### Selector position

D1	D1-> Rapid Light bright
D2	D2-> 90 min Light bright
D3	D3-> Rapid 90 min Light bright
D4	D4-> ECO Light bright
D5	D5-> Rapid ECO Light bright

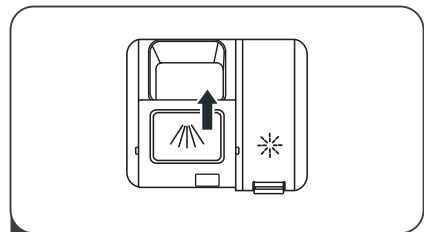
## Filling The Detergent Dispenser



- 1 Please choose an open way according to the actual situation.
1. Open the cap by sliding the release catch.
  2. Open the cap by pressing down the release catch.



- 2 Add detergent into the larger cavity (A) for the main wash cycle. For better cleaning result, especially if you have very dirt items, pour a small amount of detergent onto the door. The additional detergent will activate during the pre-wash phase.



- 3 Close the flap by sliding it to the front and then pressing it down.

### NOTE




- Be aware that depending on the soiling of water, setting may be different.
- Please observe the manufacturer's recommendations on the detergent packaging.

# PROGRAMMING THE DISHWASHER

## Wash Cycle Table

The table below shows which programs are best for the levels of food residue on them and how much detergent is needed. It also shows various information about the programs. Consumption values and program duration are only indicative except for ECO program.

● indicates that the program uses rinse aid in the last rinse.

Program	Description Of Cycle	Detergent Pre/Main Wash	Running Time (min)	Energy (Kwh)	Water (L)	Rinse Aid
 <b>Intensive</b>	Pre-wash (50°C)					
	Wash (65°C)					
	Rinse	4/13 g	205	1.378	15.3	●
	Rinse	1 or 2 tabs				
	Rinse (65°C)					
Drying						
<b>ECO</b> (*EN 60436)	Wash (45°C)					
	Rinse	17 g	235	0.704	9.0	●
	Rinse (55°C)					
	Drying					
 <b>90 Min</b>	Wash (60°C)					
	Rinse	17 g	90	1.234	10.2	●
	Rinse (65°C)	1 tab				
	Drying					
 <b>Rapid</b>	Wash (50°C)					
	Rinse	12 g	30	0.611	10.0	○
	Rinse (45°C)					



### ECO (\*EN 60436)

The ECO program is suitable to clean normally soiled tableware, that for this use, it is the most efficient program in terms of its combined energy and water consumption, and it is used to assess compliance with the EU ecodesign legislation.

## Saving Energy

1. Pre-rinsing of tableware items leads to increased water and energy consumption and is not recommended.
2. Washing tableware in a household dishwasher usually consumes less energy and water in the use phase than hand dishwashing when the household dishwasher is used according to the instructions.

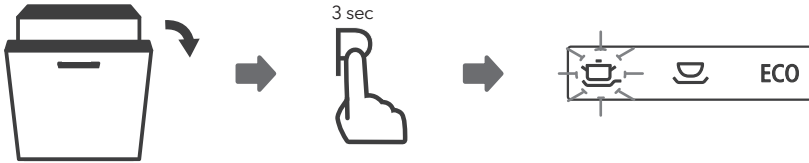
## Starting A program

1. Draw out the lower and upper basket, load the dishes and push them back. It is commended to load the lower basket first, then the upper one.
2. Pour in the detergent.
3. Insert the plug into the socket. The power supply refer to last page "Product fiche". Make sure that the water supply is turned on to full pressure.
4. Open the door, touch the Power button, and the On/Off light will turn on.
5. Choose a program, the response light will turn on. Then close the door, the dishwasher will start its cycle.

## Changing The Program Mid-cycle

A program can only be changed if it has been running only for a short period of time, otherwise the detergent may have already been released or the wash water with detergent has already been drained. If this is the case, the dishwasher needs to be reset and the detergent dispenser must be refilled. To reset the dishwasher, follow the instructions below:

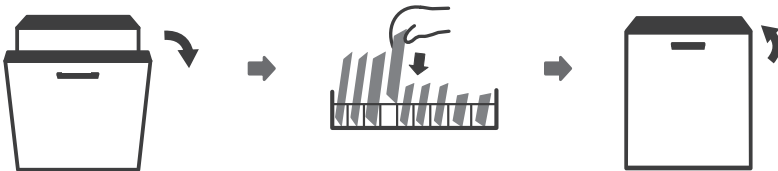
1. Open the door a little to stop the dishwasher, after the spray arm stopped working, you can open the door completely.
2. Press Program button more than three seconds the machine will be in program selection mode
3. You can change the program to the desired cycle setting.



## Forget To Add A Dish?

A forgotten dish can be added any time before the detergent dispenser opens. If this is the case, follow the instructions below:

1. Open the door a little to stop the washing.
2. After the spray arms stopped working, you can open the door completely.
3. Add the forgotten dishes.
4. Close the door.
5. The dishwasher will start running again.



### WARNING!



It is dangerous to open the door mid-cycle, as hot steam may scald you.

## ERROR CODES

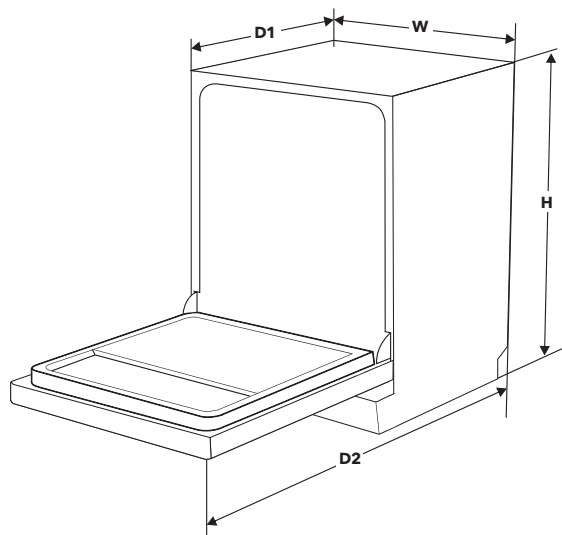
If there is a malfunction the dishwasher will display an error code. The following table shows possible error codes and their causes.

Codes	Meanings	Possible Causes
The Rapid light flicker fleetly	Longer inlet time.	Faucets is not opened, or water intake is restricted, or water pressure is too low.
The 90 min and Rapid light flicker fleetly	Not reaching required temperature.	Malfunction of heating element.
The ECO light flicker fleetly	Overflow.	Some element of dishwasher leaks.
The intensive, ECO, Rapid light flicker fleetly	Failure of communication between main PCB with display PCB.	Open circuit or break wiring for the communication.

### WARNING!

- If overflow occurs, turn off the main water supply before calling a service.
- If there is water in the base pan because of an overflow or small leak, the water should be removed before restarting the dishwasher.
- If there is an error code that cannot be solved, please request professional assistance.

## TECHNICAL INFORMATION



<b>Height (H)</b>	815mm
<b>Width (W)</b>	448mm
<b>Depth (D1)</b>	550mm (with the door closed)
<b>Depth (D2)</b>	1150mm (with the door opened 90°)

## Product information sheet (EN60436)

**Supplier's name or trade mark:** Tesla

**Supplier's address (b):**

**Model identifier:** WDI461M

**General product parameters:**

Parameter	Value	Parameter	Value	
Rated capacity (a) (ps)	9	Dimensions in cm	Height	82
			Width	45
			Depth	55
EEI (a)	55,9	Energy efficiency class (a)	E (c)	
Cleaning performance index (a)	1,125	Drying performance index (a)	1,065	
Energy consumption in kWh [per cycle], based on the eco programme using cold water fill. Actual energy consumption will depend on how the appliance is used.	0,704	Water consumption in litres [per cycle], based on the eco program. Actual water consumption will depend on how the appliance is used and on the hardness of the water.	9,0	
Program duration (a) (h:min)	3:55	Type	Fully intergrated	
Airborne acoustical noise emissions (a) (dB(A) re 1 pW)	49	Airborne acoustical noise emission class (a)	C (c)	
Off-mode (W)	0,49	Standby mode (W)	N/A	
Delay start (W) (if applicable)	1,00	Networked standby (W) (if applicable)	N/A	

**Minimum duration of the guarantee offered by the supplier (b):**

**Additional information:**

Weblink to the supplier's website, where the information in point 6 of Annex II to Commission Regulation (EU) 2019/2022 (1) (b) is found:

(a) for the eco program.

(b) changes to these items shall not be considered relevant for the purposes of paragraph 4 of Article 4 of Regulation (EU) 2017/1369.

(c) if the product database automatically generates the definitive content of this cell the supplier shall not enter these data.

(1) Commission Regulation (EU) 2019/2022 of 1 October 2019 laying down eco design requirements for household dishwashers pursuant to Directive 2009/125/EC of the European Parliament and of the Council amending Commission Regulation (EC) No 1275/2008 and repealing Commission Regulation (EU) No 1016/2010 (see page 267 of this Official Journal).

## Link to the EU EPREL database

The QR code on the energy label supplied with the appliance provides a web link to the registration of this appliance in the EU EPREL database.

Keep the energy label for reference together with the user manual and all other documents provided with this appliance.

It is possible to find information related to the performance of the product in the EU EPREL database using the link <https://eprel.ec.europa.eu> and the model name and product number that you can find on the rating plate of the appliance. For more detailed information about the energy label, visit [www.theenergylabel.eu](http://www.theenergylabel.eu).





Comtrade Distribution d.o.o. Beograd

Address: Savski nasip 7

11000 Belgrade, Serbia

Phone: +381 11 201 55 55

Fax: +381 11 201 55 56

E mail: distribution.rs@comtrade.com

www.comtradedistribution.com

## EU DECLARATION OF CONFORMITY

We, Comtrade Distribution doo Beograd, Savski nasip 7, hereby declare that the following dishwasher products listed below to which this declaration relates

Name of manufacturer Comtrade Distribution d.o.o. Beograd

Contact information of the manufacturer Savski nasip 7  
11000 Belgrade, Serbia

Description of the appliance

Old Tesla Code	Tesla Code
WD630M	WD631M
WD660M	WD661M
WD660MX	WD661MX
WD430M	WD431M
WD460M	WD461M
WD460MX	WD461MX
WDI460M	WDI461M
WDI660M	WDI661M

are in conformity with the following standards:

LVD/EMF/PAHS	EN 60335-2-5:2015 EN 60335-1:2012/A2:2019 EN 62233:2008 AfPS GS 2019:01 PAK
EMC	EN 55014-1:20017 EN 55014-2:2015 EN 61000-3-2:2014 EN 61000-3-3:2013
ERP	EN 50242:2020 (new) EN 50242:2016 (old) EN 50564 :2011 (old)

PIB: 100000104 Matični broj: 17172140 Šifra delatnosti: 2620

TEKUĆI RAČUNI: UniCredit Bank RSD 170-300346515-65; Vojvodanska banka a.d. Novi Sad RSD 325-9500600009876-07  
OTP Banka Srbija a.d. Beograd RSD 275-0000220006014-70; Komercijalna banka RSD 205-147443-79



Comtrade Distribution d.o.o. Beograd

Address: Savski nasip 7

11000 Belgrade, Serbia

Phone: +381 11 201 55 55

Fax: +381 11 201 55 56

E mail: distribution.rs@comtrade.com

www.comtradedistribution.com

RoHS	IEC 62321-1 IEC 62321-2
------	----------------------------

following the provisions of directive(s):

<b>Low Voltage Directive 2014/35/EU</b>
<b>Electromagnetic Compatibility Directive 2014/30/EU</b>
<b>ERP directive 2009/125/EC ,</b>
<b>ERP implementation regulation</b> EU NO 2019/2022 (replace the old regulation EU NO 1016/2010)
<b>Energy label regulation</b> EU NO 2019/2017 (replace the old regulation EU NO 1059/2010)
<b>RoHS directive 2011/65/EU</b>
<b>PAHs</b> AfPS GS 2019:01 PAK
<b>CE Directive 93/68/EEC</b>

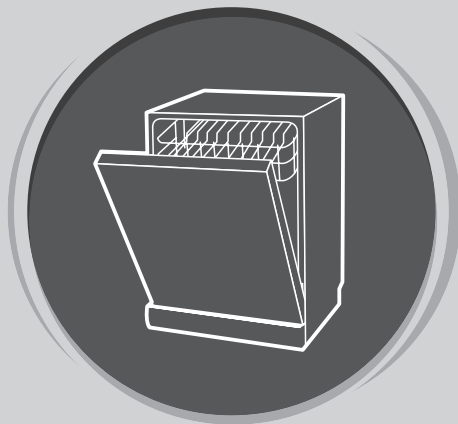
Date: 2021.02.19 Belgrade, Serbia

SIGNATURE & CHOP

NAME: Nebojša Uskoković

POSITION: General Manager





# PJATALARËSE

Udhëzues

Përdorues

## PJESA I: UDHËZIME TË PËRGJITHSHME

Përpara se të përdorni lavastoviljen,  
lexoni me kujdes këtë manual dhe mbajeni për referencë në të ardhmen.

# UDHËZIME TË SIGURISË



## PARALAJMËRIM!

Kur përdorni një makinë larëse enësh, respektoni masat paraprake të mëposhtme:

- Instalimi dhe riparimi mund të kryhen vetëm nga një teknik i kualifikuar
- Pajisja është menduar për përdorim shtëpiak dhe për qëllime të ngjashme, si p.sh.
  - hapësira kuzhine për punësim në dyqane, zyra dhe ambiente të tjera pune;
  - ekonomitë shtëpiake bujqësore;
  - nga mysafirët e hotelit dhe motelit, si dhe të llojeve të tjera të objekteve akomoduese;
  - objektet që ofrojnë shërbimin e fjetjes dhe mëngjesit;
- Kjo pajisje mund të përdoret nga fëmijët e moshës 8 vjeç e lart dhe personat me aftësi të reduktuara fizike, shqisore ose mendore ose mungesë përvojë dhe njohurie nëse u është dhënë mbikëqyrje ose udhëzime në lidhje me përdorimin e pajisjes në mënyrë të sigurt dhe janë të vetëdijshëm për rrezikun e mundshëm.
- Fëmijët nuk duhet të luajnë me këtë pajisje. Pajisja nuk duhet të pastrohet nga fëmijët, përveç nëse ata mbikëqyren. (Sipas EN60335-1)
- Kjo pajisje nuk është e destinuar për t'u përdorur nga persona (përfshirë fëmijët) me aftësi të kufizuara fizike, shqisore ose mendore, ose persona pa përvojë dhe njohuri, përveç rastit kur atyre u është dhënë mbikëqyrje ose udhëzim në lidhje me përdorimin e pajisjes nga një person përgjegjës për sigurinë e tyre. (Sipas IEC60335-1) Paketimi mund të jetë i rrezikshëm për fëmijët!
- Ky produkt është menduar vetëm për përdorim shtëpiak dhe të brendshëm.
- Për të zvogëluar rrezikun e goditjes elektrike, mos e zhytni produktin, kordonin ose spinën në ujë ose ndonjë lëng tjetër. Përpara pastrimit dhe mirëmbajtjes së pajisjes, fikeni pajisjen.
- Për pastrim, përdorni një leckë të butë të lagur me sapun të butë, më pas fshijeni përsëri me një leckë të thatë.



## Udhëzimet e tokëzimit

- Kjo pajisje duhet të jetë e tokëzuar. Në rast të një defekti ose avarie, tokëzimi do të zvogëlojë rrezikun e goditjes elektrike duke lejuar që rryma elektrike të gjejë rrugën e saj me të paktnë rezistencës. Kjo pajisje është e pajisur me një prizë tokëzimi.
- Është thelbësore që spina të lidhet me një prizë të përshtatshme të instaluar dhe të tokëzuar në përputhje me të gjitha kodet dhe rregulloret lokale.
- Lidhja jo e duhur e pajisjes me përcuesin e tokëzimit mund shkaktojë rrezik për goditje elektrike. Nëse keni dyshime për tokëzimin e duhur të pajisjes, kontrolloni tokëzimi së bashku me një elektrikist të kualifikuar ose përfaqësues shërbimi.
- Nëse spina që vjen me pajisjen nuk i përshtatet prizës, mos e ndërtoni.
- Kërkojini një elektrikist të kualifikuar të instalojë një prizë të përshtatshme për ju ose në raftet e enëve që

janë në pjatlarëse.

- Mos e përdorni lavastoviljen nëse të gjitha pjesët nuk janë në pozicionet e tyre.
- Jini shumë të kujdesshëm kur hapni derën e enëlarësës ndërsa ajo është në punë, pasi ekziston rreziku i spërkatjes së ujit.
- Mos vendosni objekte të rënda në derën e hapur të makinës dhe mos qëndroni mbi të. Pajisja mund të kthehet.
- Kur rregulloni enët për t'u larë:
  - 1) Vendosni objektet e mprehta në mënyrë që të mos dëmtojnë guarnicionin e derës;
  - 2) Paralajmërim: Thikat dhe aksesoret e tjerë me majë të mprehtë duhet të vendosen në kosh me pikat e tyre të kthyer poshtë ose duhet të vendosen në një pozicion horizontal.
- Disa detergjentë për larjen e enëve janë shumë alkaline. Nëse qëlliten, ato mund të jenë jashtëzakonisht të rrezikshme.
- Shmangni kontaktin me lëkurën dhe sytë dhe mbajini fëmijët larg makinës larëse enësh nëse dera është e hapur.
- Në fund të ciklit të larjes, kontrolloni nëse ka mbetur pluhur detergjent.
- Mos lani enët plastike nëse nuk janë të shënuara "të lahen në makinë" ose të ngjashme.
- Për kontejnerët plastike që nuk kanë asnjë shenjë, kontrolloni rekomandimet e prodhuesit.
- Përdorni vetëm detergjentë dhe shpëlarës të rekomanduar për përdorim në pjatlarëse automatike.
- Asnjëherë mos vendosni sapun, detergjent rrobash ose detergjent duarsh në pjatlarëse.
- Mos e lini derën hapur, pasi kjo rrit rrezikun e kërcitjes.
- Nëse kordoni i rrymës është i dëmtuar, ai duhet të zëvendësohet nga prodhuesi, agjenti i tij i shërbimit ose një person i kualifikuar në mënyrë të ngjashme, për të shmangur rreziqet e mundshme.
- Gjatë instalimit, kabloja e lidhjes nuk duhet të përkulet ose shtypet në mënyrë të tepruar ose të rrezikshme.
- Mos i ndryshoni gabimisht butonat e kontrollit.
- Njësia duhet të lidhet me valvulën kryesore të ujit duke përdorur një grup të ri zorrësh. Mos përdorni grupe të vjetra çorape.
- Për të kursyer energji, pajisja do të fiket automatikisht në modalitetin e gatishmërisë nëse pajisja nuk është aktive për një periudhë prej 15 minutash.
- Numri maksimal i kompleteve gjatë larjes është 9.
- Presioni maksimal i lejuar i ujit në hyrje është 1 mpa.
- Presioni minimal i lejuar i ujit në hyrje është 0.04 MPa.

## Largimi



- Për të hequr paketimin dhe vetë pajisjen, kontaktoni një qendër riciklimi. Prisi kabllon lidhëse dhe fikni mekanizmin e mbylljes së derës së pajisjes.
- Paketimi i kartonit është bërë nga letra e ricikluar dhe duhet të dërgohet në një pikë grumbullimi të

mбетjeve të letrës për riciklim.

- Duke e hedhur produktin në mënyrë korrekte, do të ndihmoni në parandalimin e pasojave të mundshme negative për mjedisin dhe shëndetin e njeriut, të cilat përndryshe mund të shkaktohen nga hedhja e gabuar e mbeturinave si kjo pajisje.
- Për më shumë informacion mbi riciklimin e këtij

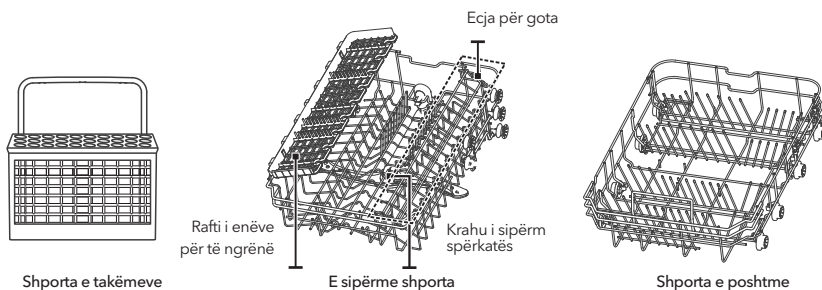
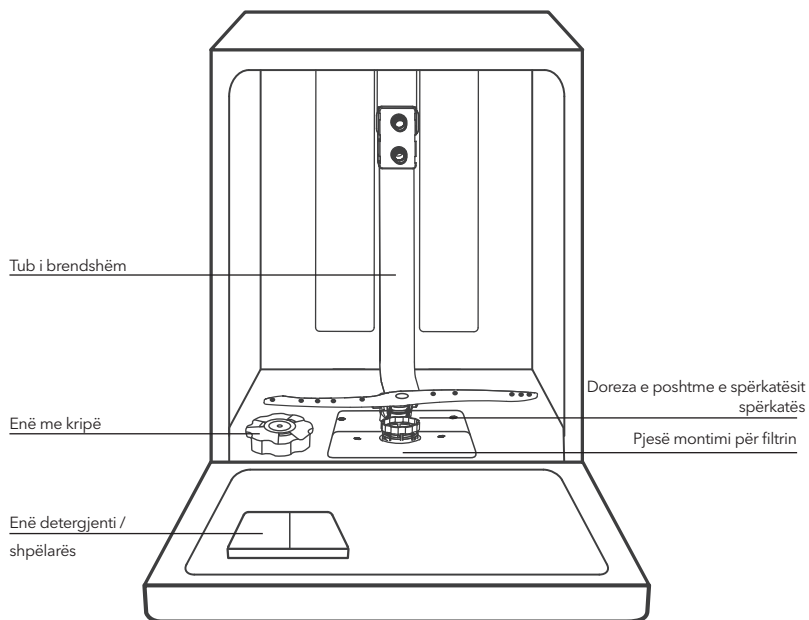
produkti, ju lutemi kontaktoni zyrën e këshillit tuaj lokal ose shërbimin bashkiak të hedhjes së mbeturinave.

- **HEQJA: Mos e hidhni këtë produkt si mbeturina komunale të pazgjedhura. Këto lloj mbetjesh duhet të grumbullohen veçmas për trajtimin e tyre të veçantë.**

## SHPALLJA E PRODUKTIT

### ! E RËNDËSISHME!

Për performancën maksimale të makinës larëse enësh, lexoni të gjithë manualin e udhëzimeve përpara se ta përdorni për herë të parë.

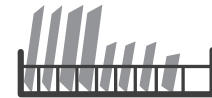


### SHËNIM

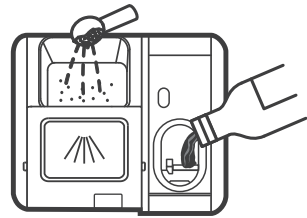
Imazhet janë vetëm për qëllime ilustruese, modele të ndryshme mund të ndryshojnë.

# PËRDORIMI I PJALALARAVE TUAJ

Përpara se të filloni të përdorni lavastoviljen:



Brenda → Jashtë



1. Rregulloni zbutësin e ujit
2. Shtoni kripë në zbutës

3. Vendosni enët në shporta
4. Mbushni enën e detergjentit / shpëlarës

## SHËNIM

Nëse keni nevojë të rregulloni zbutësin e ujit, referojuni seksionit 1 "Zbutësi i ujit", i vendosur në SEKSIONIN II: Udhëzime specifike të modelit.

## Vendosni kripën në zbutës

### SHËNIM

Nëse modeli i makinës suaj nuk përdor zbutës uji, mund ta kapërceni këtë seksion.

Përdorni vetëm kripë të klasës së pjatlarëse.

Ena e kripës ndodhet nën koshin e poshtëm dhe duhet të mbushet siç tregohet në tekstin më poshtë:

### PARALAJMËRIM!

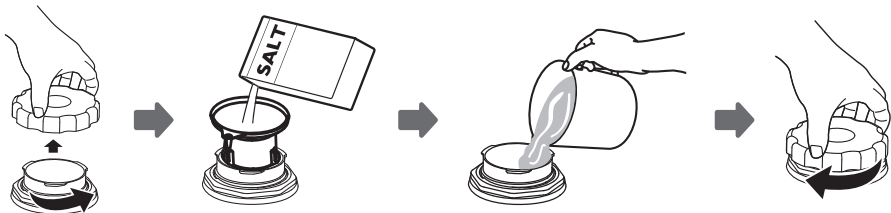
#### • Përdorni vetëm kripë në prodhuar posaçërisht për pjatlarëse!

Çdo lloj tjetër kripe që nuk është prodhuar posaçërisht për përdorim në makinë larëse enësh, veçanërisht kripa e tryezës, do të dëmtojë zbutësin e ujit. Në rast dëmtimi të shkaktuar nga përdorimi i një lloji të papërshtatshëm të kripës, prodhuesi nuk jep asnjë garanci dhe as nuk mban përgjegjësi për ndonjë dëm të shkaktuar me atë rast.

#### • Shtoni kripë vetëm pak përpara se makina të nisë ciklin e larjes.

Në këtë mënyrë, ju do të parandaloni që kokrrat e mundshme të derdhura të kripës ose ujit të kripur të mbeten në fund të makinës për një periudhë kohe, gjë që mund të shkaktojë ndryshje.

Ndiqni hapat e mëposhtëm për të shtuar kripën e makinës larëse enësh:



1. Hiqni koshin e poshtëm dhe hiqni atë mbulesa e rezervuarit.
2. Vendosni pjesën e poshtme të hinkës (e dhënë me produktin) në hapje dhe derdhni rreth 1.5 kg kripë për pjatlarëse
3. Mbushni enën e kripës me ujë deri në kufiri maksimal. Është e zakonshme në këtë rast për të derdhur një sasi të vogël uji nga tavën e kripës.
4. Pasi të keni mbushur enën, kthejeni atë mbulojeni dhe vidhosni fort.

5. Pasi të keni shtuar kripë në enën e kripës, drita paralajmëruese e kripës do të ndalet të pulsojë.
6. Disa nga programet e larjes duhet të jenë filloni menjëherë pasi të keni hedhur kripë në enë për kripë (Ne sugjerojmë të përdorni një nga programet më të shkurtra). Përndryshe, uji i kripur mund ta dëmtojë atë sistemi i filtrit, pompa ose disa pjesë të tjera të rëndësishme të makinës. Në këtë në rast, garancia nuk do të zbatohet.

## SHËNIM

- Ena e kripës duhet të mbushet vetëm kur ndizet drita paralajmëruese për sasinë e kripës në panelin e kontrollit (☺). Në varësi të shkallës së tretshmërisë së kripës, drita paralajmëruese e nivelit të kripës mund të vazhdojë të ndizet edhe pse ena me kripë është rimbushur.  
Nëse pajisja nuk ka një dritë paralajmëruese për sasinë e kripës në panelin e kontrollit (në disa modele), mund të gjykoni se kur duhet t'i shtoni kripë zbutësit bazuar në numrin e cikleve që makina ka cikluar.
- Nëse derdhet kripë, ekzekutoni programin e thithjes ose një nga programet më të shkurtra për ta hequr atë.

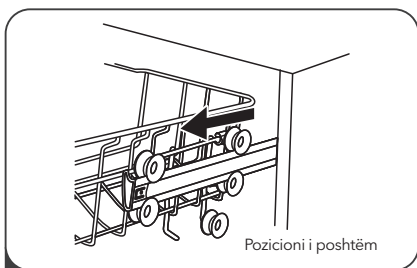
## Këshilla për përdorimin e shportave

### Rregullimi i koshit të sipërm

#### Lloji 1:

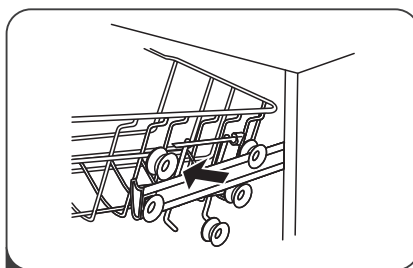
Lartësia e koshit të sipërm mund të rregullohet lehtësisht në mënyrë që enët e larta të vendosen në koshin e sipërm ose të poshtëm.

Për të rregulluar lartësinë e raftit të sipërm, ndiqni hapat e mëposhtëm:

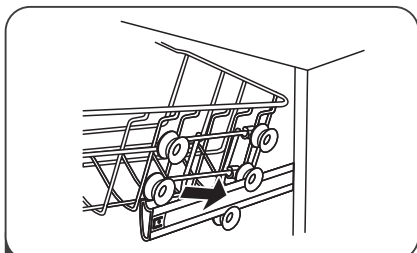


Pozicioni i poshtëm

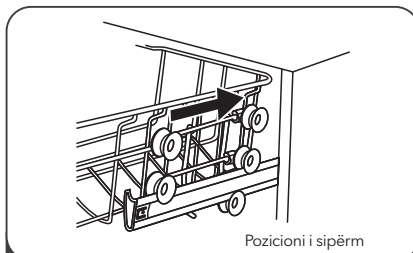
1 Tërhiqeni koshin e sipërm.



2 Hiqni koshin e sipërm.



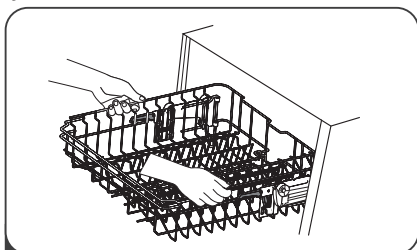
3 Instaloni koshin e sipërm duke përdorur ato të sipërme ose rrotat e poshtme.



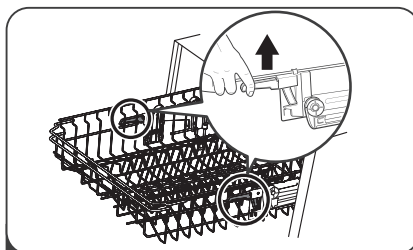
Pozicioni i sipërm

4 Shtyni koshin e sipërm në makinë.

#### Lloji 2:



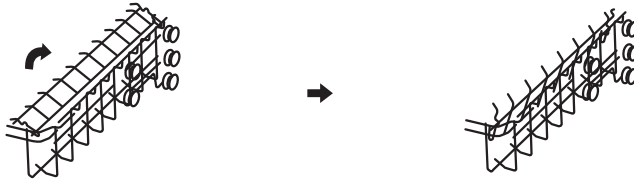
1 Për të ngritur raftin në pozicionin e sipërm; ngrijeni derisa të dyja anët të jenë në të njëjtën lartësi. Rafti do të ngjitet. Nuk keni nevojë të ngrini levën e rregullimit.



2 Për të ulur raftin, ngrini levën e rregullimit në secilën anë për të ulur shportën.

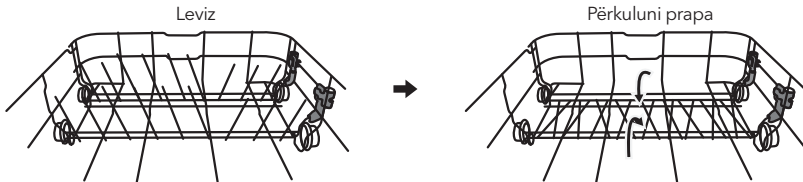
### Asambleja e raftit të filxhanit

Për të krijuar më shumë hapësirë në shportën e enëlarëses për enët e larta, ngrini raftin e filxhanit lart. Në këtë mënyrë, pranë saj mund të vendosni gota të gjata. Ju gjithashtu mund ta hiqni atë nëse nuk ju nevojitet.



### Montimi i rafteve me thumba

Spinat përdoren për të mbajtur pllaka dhe ovale. Ato mund të ulen për të bërë më shumë hapësirë për anije më të mëdha.



## MIRËMBAJTJA DHE PASTRIMI

### Mirëmbajtja e jashtme e pajisjes

#### Vula e derës dhe e derës!

Pastroni rregullisht vulat e derës me një leckë të butë dhe të lagur për të hequr depozitat e ushqimit. Kur vendosni enët në pjatararëse, mbetjet e ushqimit dhe pijeve mund të pikojnë në anët e derës së enëlarëses. Këto sipërfaqe janë të vendosura jashtë zonës së larjes dhe uji nga spërkatësit nuk mund t'i arrijë ato. Para se të mbyllni derën, fshijini çdo depozitë.

#### Paneli i kontrollit

Nëse paneli i kontrollit duhet të pastrohet, fshijeni atë VETËM me një leckë të butë dhe të lagur.



#### PARALAJMËRIM!

- Për të shmangur depërtimin e ujit në bllokimin e derës dhe komponentët elektrikë, mos përdorni pastrues me spërkatje.
- Asnjëherë mos përdorni pastrues gërryes ose sfungjerë gërryes kur pastroni sipërfaqet e jashtme, pasi kjo mund të gërvishet sipërfaqja. Disa peshqirë letre gjithashtu mund të gërvishin ose shënojnë sipërfaqen.

### Mirëmbajtja e pjesës së brendshme të pajisjes

#### Sistemi i filtrimit

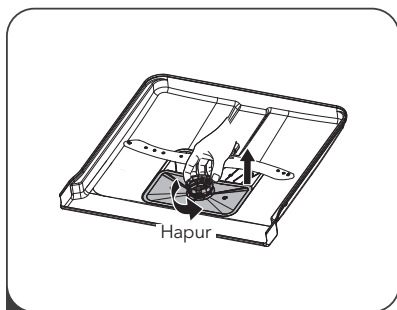
Sistemi i filtrit, i vendosur në pjesën e poshtme të zonës së larjes, ruan mbetjet më të mëdha të krijuara gjatë ciklit të larjes. Mbeturinat më të mëdha të mbledhura mund të çojnë në bllokimin e filtrit. Kontrolloni rregullisht filtrat dhe, nëse është e nevojshme, pastrojini nën ujë të rrjedhshëm. Për të pastruar filtrin në ndarjen e larjes, ndiqni hapat e mëposhtëm.



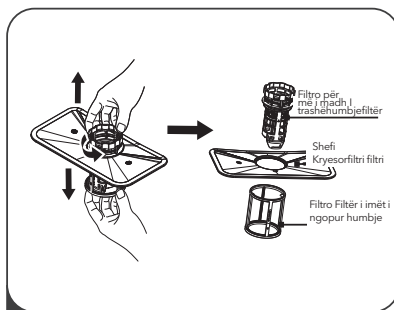
#### SHËNIM

Imazhet ofrohen vetëm për qëllime ilustruese. Në modele të ndryshme, sistemet e filtrit dhe grykat mund të ndryshojnë.

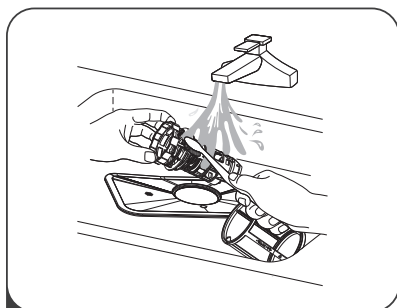




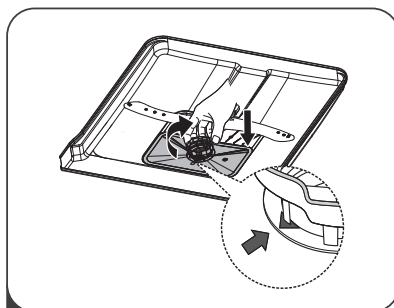
- 1** Kapni filtrin e trashë dhe rrotullojeni në drejtim të kundërt të akrepave të orës për ta zhbllkuar. Ngrini filtrin lart dhe nxirreni nga pjatarëse.



- 2** Filtri më i vogël i mbeturinave mund të tërhiqet nga fundi i seksionit të montimit të filtrit. Filtri më i madh i mbeturinave mund të ndahet nga filtri kryesor duke shtypur butësisht skedat në pjesën e sipërme dhe duke e nxjerrë jashtë.



- 3** Mbetjet më të mëdha të ushqimit mund të pastrohen duke shpëlarë filtrin nën ujë të rrjedhshëm. Për pastrim më të plotë, përdorni një furçë të butë pastrimi.



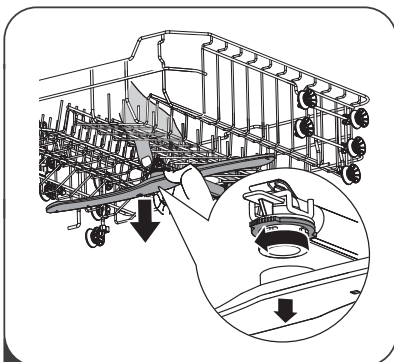
- 4** Riinstaloni filtrin në rendin e kundërt të çmontimit, rivendosni fishekun e filtrit dhe kthejeni në drejtim të akrepave të orës deri në shigjetën.

### ⚠ WARNING!

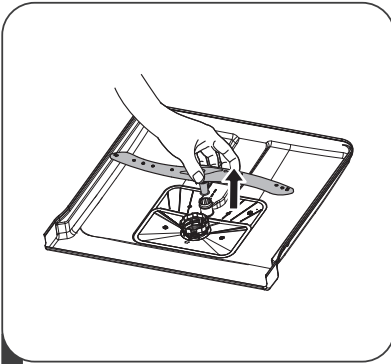
- Mos i lidhni filtrat shumë fort. Rivendosni filtrat sipas rendit të listuar dhe fiksojini mirë. Përndryshe, më e madhe copat e mbeturinave mund të hyjnë në sistem dhe për të shkaktuar bllokim.
- KURRË mos përdorni lavatrice enët nëse filtrat nuk janë instaluar siç duhet. Instalimi i gabuar i filtrit mund zvogëloni nivelin e performancës së pajisjes dhe për të dëmtuar enët dhe enët.

### Dorezat e spërkatës

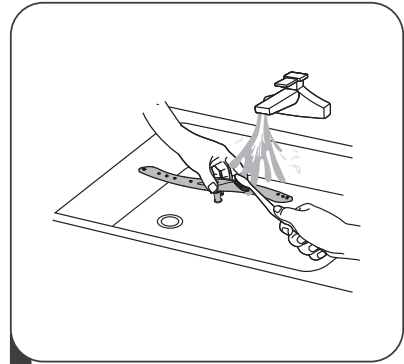
Ju duhet të pastroni rregullisht krahët e spërkatjes, përndryshe përmbajtja e ujit të fortë do të bllokojë grykat dhe do të bllokujë kushinetat e hundës. Për të pastruar grykat, ndiqni këto udhëzime:



- 1** Për të hequr dorezën e sipërme të spërkatës, shtypni vidën qendrore në mënyrë që të mos lëvizë, më pas rrotulloni dorezën e spërkatës në drejtim të kundërt të akrepave të orës.



**2** Për të hequr dorezën e poshtme të hundës, tërhiqni dorezën e sipërkatesë lart.



**3** Lani dorezat në ujë të ngrohtë me sapun dhe përdorni një furçë të butë për të pastruar grykat. Pas një shpëlarjeje të plotë, vendosini sërish në pajisje.

## Kujdesi për pjatlarëse

### Masat e mbrojtjes nga ngrica

Gjatë dimrit, merrni të gjitha masat për të mbrojtur lavastoviljen tuaj nga ngrirja. Pas çdo cikli larjeje, bëni sa më poshtë:

1. Hiqeni lavastoviljen nga priza.
2. Fikni furnizimin me ujë dhe hiqni tubin e furnizimit me ujë nga valvula e ujit.
3. Kullojeni ujin nga tubi i hyrjes dhe valvula e ujit. (Për të mbledhur ujë, përdorni një enë të thellë dhe të gjerë)
4. Rilidhni zorrën e furnizimit me ujë me valvulën e ujit.
5. Hiqeni filtrin nga fundi i lavamanit dhe përdorni një sfungjer për të mbledhur ujin nga lavamani.

### Pas çdo larje

Pas çdo larje, mbyllni furnizimin me ujë të pajisjes dhe lëreni derën pjesërisht të hapur në mënyrë që lagështia dhe aroma të mos mbeten në pajisje.

### Tërhiqeni spinën nga priza

Përpara çdo procedure pastrimi ose mirëmbajtjeje, tërhiqeni spinën nga priza.

### Mos përdorni tretës ose pastrues gërryes

Mos përdorni tretës ose produkte gërryes kur pastroni elementët e jashtëm dhe gome të pajisjes. Përdorni vetëm një leckë të njomur në ujë të ngrohtë dhe me sapun.

Për të hequr njollat ose njollat nga sipërfaqet e brendshme të pajisjes, përdorni një leckë të lagur në ujë me pak uthull ose një produkt të specializuar për pastrimin e enëlarësës.

### Kur pajisja nuk përdoret për një periudhë të gjatë kohore

Rekomandohet të përdorni një makinë larëse enësh të zbrazët për një cikël, më pas ta hiqni nga priza, të fikni furnizimin me ujë dhe ta lini derën e pajisjes pjesërisht të hapur. Me këtë procedurë, ju do të zgjasni jetën e vulave të derës dhe do të parandaloni krijimin e aromave të pakëndshme brenda pajisjes.

### Transportimi i pajisjes

Nëse është e nevojshme të lëvizni pajisjen, përpiquni ta mbani atë në një pozicion vertikal gjatë procesit. Vetëm nëse është absolutisht e nevojshme, vendoseni pajisjen në shpinë.

### Vulat

Një nga shkaqet e aromave të pakëndshme në makinë larëse enësh është ushqimi i ngecur në vula. Pastrimi i herëpashershëm me një sfungjer të lagur do ta parandalojë këtë.

# UDHEZIME INSTALIMI

## ⚠️ PARALAJMËRIM!



### Rrezik nga goditja elektrike

Para se të instaloni lavastoviljen, fikeni fuqinë.  
Nëse nuk e bëni, mund të shkaktoni vdekjen e dikujt.

## ⚠️ KUJDES!

Instalimi i tubave dhe pajisjeve elektrike duhet të bëhet nga një profesionist.

## Rreth lidhjes elektrike

## ⚠️ PARALAJMËRIM!

Siguria personale:

- Mos përdorni kordona zgjatues ose përshtatës për ta lidhur këtë pajisje me energjinë.
- Në asnjë rrethanë mos e shkëputni ose hiqni spinën e tokëzimit nga kabloja e lidhjes.

### Kërkesat në lidhje me pajisjet elektrike

Shikoni pllakën e të dhënave për të zbuluar se çfarë tensioni përdor lavastovilja juaj dhe si ta lidhni atë në prizën e duhur. Përdorni siguresën e rekomanduar, siguresën e kohës ose ndërprerësin e vlerësuar 10A/13A/16A dhe siguron një qark të veçantë të dedikuar ekskluzivisht për këtë pajisje.

### Lidhja e energjisë

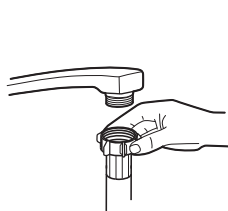
Kontrolloni që voltazhi dhe frekuenca e rrymës të korrespondojnë me vlerat e treguara në pllakën e specifikimeve. Lidhni spinën vetëm me një prizë që është e tokëzuar siç duhet. Nëse priza me të cilën duhet të lidhni pajisjen nuk përputhet me spinën, ndërroni prizën. Mos përdorni adaptorë dhe pajisje të ngjashme, pasi ato mund të shkaktojnë mbinxehje dhe djegie.

⚠️ **Para përdorimit, kontrolloni për tokëzimin e duhur.**

## Furnizimi me ujë dhe kullimi

### Lidhja me ujë të ftohtë

Lidhni zorrën e furnizimit me ujë të ftohtë me lidhësin e filetuar 3/4 (inç) dhe kontrolloni a është e lidhur mirë. Nëse tubat e ujit janë të rinj ose i pa përdorur për një kohë të gjatë derdhni ujë nëpër to dhe shikoni nëse uji është i pastër. Duhet të ndërmerren veprime Kujdes për të shmangur rrezikun e duke bllokuar rrjedhën e ujit në hyrje dhe dëmtimi i pajisjes.



zorrë e zakonshme e furnizimit



Ushqimi i sigurisëTubi i furnizimit të sigurisëzorrët

### Për zorrën e hyrjes së sigurisë

Tubi i hyrjes së sigurisë përbëhet nga mure të dyfishta. Ky sistem zorrësh garanton që do të bllokohet rrjedhën e ujit në rast të këputjes së zorrës së furnizimit dhe kur hapësira midis vetë zorrës së furnizimit dhe zorrës së jashtme me shirita, e cila është e mbushur me ajër, mbushet me ujë.

## ⚠️ PARALAJMËRIM!

Zorra e lidhur me dushin e lavamanit mund të shpërthejë nëse vendoset në të njëjtin furnizim me ujë si lavastovilja. Nëse keni një zorrë të tillë në lavaman, rekomandohet ta hiqni atë dhe të mbyllni hapjen.

**Si të lidhni zorrën e hyrjes së sigurisë**

1. Hiqni plotësisht zorrët e hyrjes së sigurisë nga ndarja e magazinimit në pjesën e pasme të makinës larëse enësh.
2. Mbërtheni vidhat e zorrës së sigurisë në hyrjen e rubinetit me fileto 3/4 inç.
3. Përpara se të ndizni lavastoviljen, fikeni plotësisht ujin.

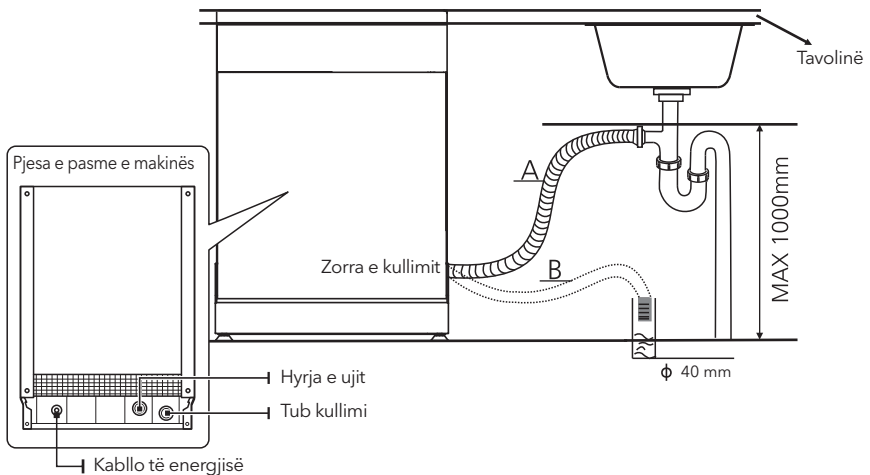
**Si të hiqni zorrën e hyrjes së sigurisë**

1. Fikni furnizimin me ujë.
2. Zhvendosni zorrën e furnizimit të sigurisë nga rubineti.

## Lidhja e zorrëve të kullimit

Fusni zorrën e kullimit në një tub kullimi me një diametër minimal prej 4 cm ose lëreni të kullojë në kanalën e kullimit, duke u kujdesur që të mos e përkulni ose ndrydhni. Tubi i kullimit duhet të vendoset në një lartësi më të vogël se 1000 mm. Pjesa e lirë e zorrës nuk duhet të zhytet në ujë për të shmangur rrjedhjen e ujit.

**⚠ Mbërtheni mirë zorrën e shkarkimit si në rastin e pozicionit A ashtu edhe në rastin e pozicionit B.**

**Si të largoni ujin e tepërt nga zorrët**

Nëse kullimi është në një lartësi prej më shumë se 1000 mm nga dyshemeja, uji i tepërt në zorrë nuk do të jetë në gjendje të derdhet drejtpërdrejt në kanalën e shkarkimit. Është e nevojshme të kulloni ujin e tepërt nga zorra në një tas ose një enë të përshtatshme që do ta mbani jashtë lavamanit dhe në një nivel më të ulët se ai.

**Kullimi i ujit**

Lidhni zorrën e shkarkimit të ujit. Tubi i shkarkimit duhet të jetë i lidhur siç duhet për të shmangur rrjedhjet e ujit. Sigurohuni që zorra e kullimit të ujit të mos jetë e përthyer ose e shtrënguar.

**Tubi zgjatues**

Nëse keni nevojë për një zorrë kullimi shtesë, sigurohuni që të jetë i ngjashëm me atë ku po e zgjasni. Nuk duhet të jetë më i gjatë se 4 metra; përndryshe, efekti i pastrimit të makinës larëse enësh do të reduktohet.

**Sifonet lidhëse**

Lidhja me sistemin e ujërave të zeza duhet të jetë në një lartësi më të vogël se 100 cm (maksimumi) nga fundi i enëlarëses. Tubi i shkarkimit të ujit duhet të fiksohet.

## Konfigurimi i pajisjes

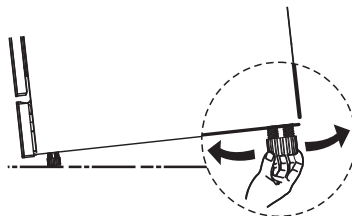
Vendoseni pajisjen në vendin e dëshiruar. Pjesa e pasme e pajisjesrle të mbështetet pas murit pas tij, anë të jenë në të njëjtin nivel me lavamanin e kuzhinës përrethtiose mure. Lavastovilja është e pajisur me tubat e hyrjes dhe daljes së ujit që mund të vendosen në anën e djathtë ose të majtë, duke e bërë të lehtë të vendosjen e duhur.

### Nivelimi i pajisjes

Kur pajisja është vendosur për nivelim, mundeni ndryshoni lartësinë e lavastoviljes me rregullimi i lartësisë së vidës së këmbës. Në asnjë rrethanë nuk duhet të anohet pajisja më shumë se 2°.

### SHËNIM

Zbatohet ekskluzivisht për pjatlarëse të pavarura.

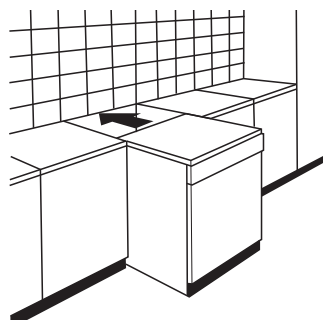


## Vendosja e një pajisjeje të pavarur

### Vendosja në mes elementet ekzistuese të kuzhinës

Lartësia e enëlarëses, e cila është 845 mm, projektuar për të lejuar instalimin e tij midis elementeve ekzistuese të kuzhinës, të cilat në kuzhinat moderne me porosi kanë lartësinë e përmendur. Këmbët mund të rregullohen për të arritur lartësinë e duhur.

Pjesa e sipërme e laminuar e makinës nuk kërkon mirëmbajtje të veçantë, pasi është rezistente ndaj nxehtësisë, gërvishetjeve dhe njollave.



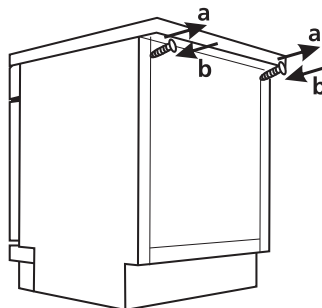
### Nën desktopin ekzistues

(kur pajisja vendoset nën desktop)

Shumica e kuzhinave moderne me porosi kanë vetëm një sipërfaqe pune, nën të cilën vendosen elementët e kuzhinës dhe pajisjet elektrike. Në këtë rast, hiqni sipërfaqen e punës së lavastoviljes duke hequr vidhat e vendosura në skajin e pasmë të sipërfaqes së sipërme (a)

### ! KUJDES!

Pas heqjes së sipërfaqes së sipërme të punës, vidhat DUHET të ri-ngjiten në pjesën poshtë skajit të pasmë të sipërfaqes së sipërme (b). Kështu, lartësia e pajisjes do të reduktohet në 815 mm, siç specifikohet në Rregulloret Ndërkombëtare (ISO), dhe lavastovilja do të përshtatet në mënyrë të përkryer nën sipërfaqen e punës në kuzhinë.

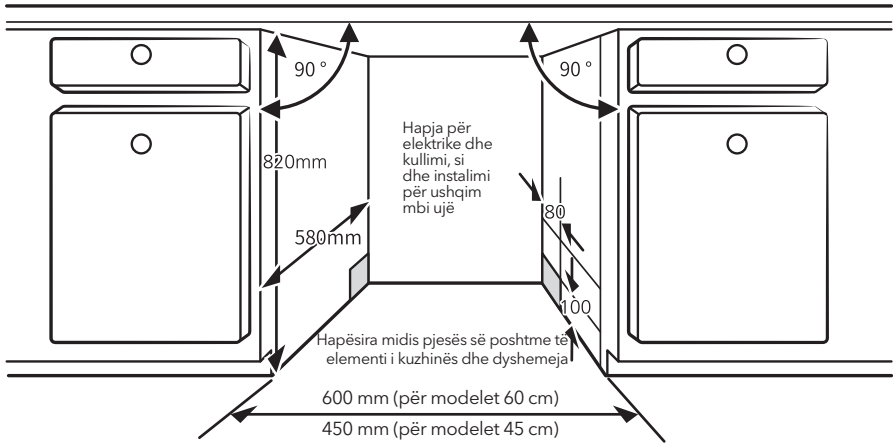


## Konfigurimi i pajisjes së integruar (për modelin e integruar)

### Hapi 1. Zgjedhja e vendndodhjes më të mirë për pjatlarëse

Lavastovilja duhet të vendoset pranë zorrëve ekzistuese të hyrjes dhe daljes kablo lidhëse. Ilustrim i dimensioneve të elementeve të kuzhinës dhe vendndodhjes së makinës larëse enësh.

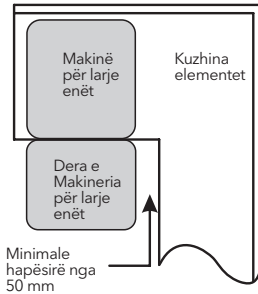
1. Më pak se 5 mm ndërmjet sipërfaqes së sipërme të makinës larëse enësh dhe njësisë së kuzhinës dhe derës së jashtme në të njëjtën linjë me njësinë e kuzhinës.



2. Nëse e vendosni lavastoviljen në këndin e largët në raport me elementët e kuzhinës, duhet të lini hapësirë të mjaftueshme për hapjen e derës.

### SHËNIM

Varësisht se ku ndodhet hapja instalime elektrike, mund t'ju duhet prerë hapjen në anën e kundërt të elementi kunj.



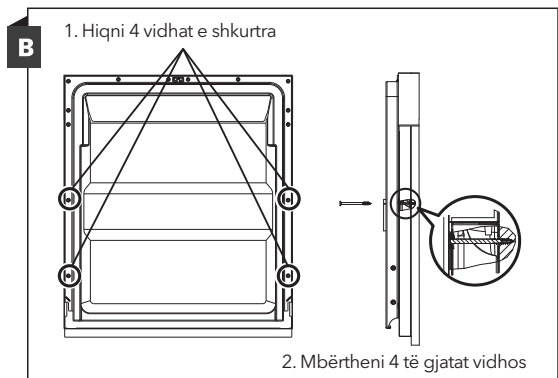
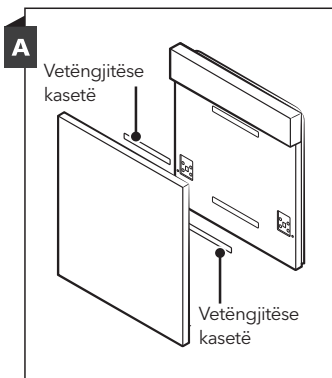
## Hapi 2. Dimensionet dhe vendosja e tabelës dekorative

### SHËNIM

Ju mund të bëni një tabelë dekorative prej druri në krye bazën e vizatimeve që lidhen me instalimin në pajisje.

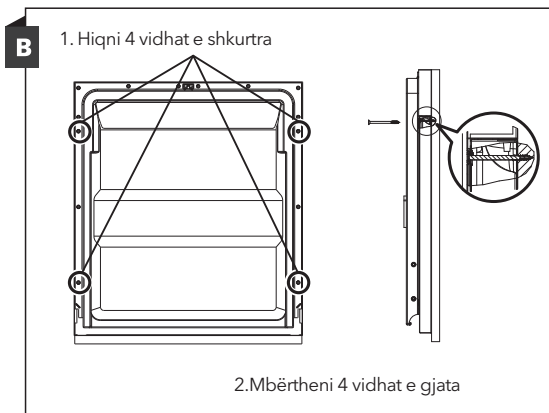
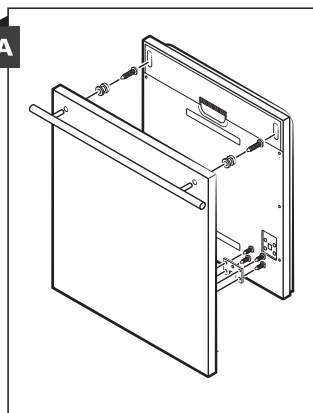
## Modeli gjysmë i integruar

Qëroni shiritin ngjites A nga shiriti ngjites B, më pas ngjiteni shiritin ngjites në dërrasën dekorative prej druri dhe shiritin B vetëngjites me shami në pjesën e jashtme të derës së enëlarësës (shih figurën A). Pas instalimit të panelit, ngjiteni atë në pjesën e jashtme të derës duke përdorur vida dhe bulona (shih figurën B).



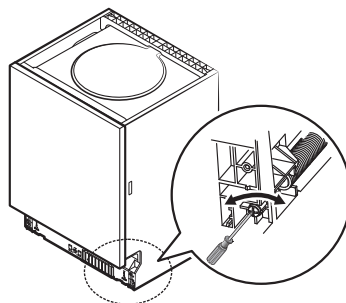
### Një model plotësisht i integruar

Qëroni shiritin vetë ngjites A nga shiriti vetëngjites B, më pas ngjitni shiritin vetëngjites A në panelin e përparmë prej druri dhe shiritin vetëngjites B në pjesën e jashtme të derës së enëlarëses (shih figurën A). Pas instalimit të panelit, ngjitni atë në pjesën e jashtme të derës duke përdorur vida dhe bulona (shih figurën B).



### Hapi 3. Rregullimi i tensionit të sustës së derës

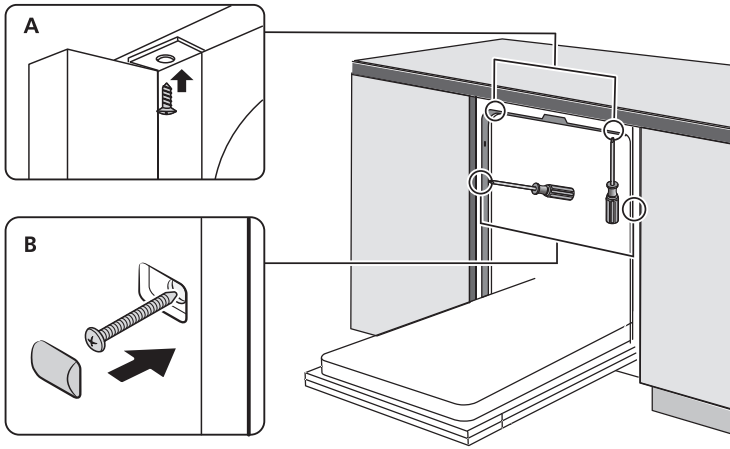
1. Tensioni i sustës së derës së jashtme është rregulluar saktë në fabrikë. Nëse jeni duke instaluar panele dekorative prej druri, duhet të rregulloni tensionin e sustës së derës.
2. Rrotulloni vidën e rregullimit për të shtuar tension shtesë në rregullues ose për të liruar kabllon e çelikut.



### Hapi 4. Hapat për vendosjen e makinës larëse nënsh

**SHËNIM** Shikoni hapat për instalimin e pajisjes në vizatimet për instalimi.

1. Ngjitni shiritin e fashës në sipërfaqen e punës të elementëve të kuzhinës. Sigurohuni që shiriti i fashës të përshatet mirë në skajin e sipërfaqes së punës. (Hapi 2)
2. Lidhni zorrën e hyrjes me hyrjen e ujit të ftohtë.
3. Lidhni zorrën e shkarkimit
4. Lidhni kabllon e prizës
5. Vendoseni lavastoviljen në vendin e caktuar. (Hapi 4)
6. Niveloni lavastoviljen. Këmba e pasme mund të rregullohet nga pjesa e përparmë e pjatlarëses duke rrotulluar vidën Phillips që ndodhet në qendër të pjesës së poshtme të pjatlarëses dhe duke përdorur një kaçavidë Phillips. Për të rregulluar këmbët e përparme, përdorni një kaçavidë me kokë të sheshtë dhe rrotulloni këmbët e përparme derisa enëlarëse të jetë e niveluar. (Hapi 5 dhe Hapi 6)
7. Vendoseni derën dekorative në pjesën e jashtme të derës së enëlarëses. (Hapi 7 deri në 10)
8. Rregulloni tensionin në sustat e derës duke përdorur një çelës allen që e ktheni në drejtim të akrepave të orës, i cili do të shtrëngojë si sustat majtas ashtu edhe djathtas. Nëse nuk e bëni këtë, mund të dëmtoni lavastoviljen tuaj. (Hapi 11)
9. Lavastovilja duhet të fiksohet mirë. Kjo mund të bëhet në dy mënyra:
  - A. Sipërfaqja normale e punës: Vendosni mbajtësin e montimit në hapjen në pjesën anësore fiksoni atë në sipërfaqen e punës me vida druri.
  - B. Sipërfaqja e punës me mermer ose granit: Ngjitni me një vidë nga ana.

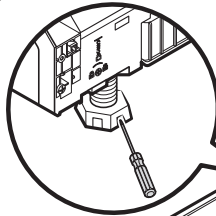


### Hapi 5. Nivelimi i pjatarëse

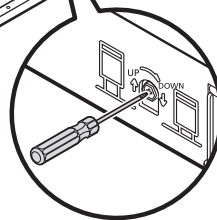
Enëlarëse duhet të nivelohet për përdorimin e duhur të raftet e enëve dhe më mirë performanca e larjes.

1. Vendosi një nivel në derë dhe në hekurudhën e raftit brenda në ndarjen e larjes si që tregohet në foto për të kontrolluar nëse pjatarëse është niveluar.
2. Niveloni makinën për larjen e enëve me duke rregulluar secilën nga tre këmbët për nivelim veç e veç.
3. Kur e niveloni pjatarëse, kujdesuni për makinën jo për larjen e enëve kthej.

Kontrollojeni atë nivelimi perpara ne lidhje me pjesa e pasme



Kontrolloje e rrafshoi kështu në një ne lidhje me tjetri pjesë anësore



### SHËNIM

Lartësia maksimale e rregullimit të këmbës është 50 mm.



# KËSHILLA PËR ZGJIDHJEN E PROBLEMEVE

## Përpara se të telefononi për shërbim

Lexoni informacionin e treguar në faqet në vijim, sepse në këtë mënyrë mund të shmangni një telefonatë shërbimi.

Një problem	Arsyet e mundshme	Çfarë mund të bëhet
Makina larese Enët nuk janë të përfshira	Siguresa është fryrë ose ndërprerësi e prishi atë qarku	Zëvendësoni siguresën ose ri ndizni çelësin. Fikeni ato të gjitha pajisjet që përdorin të njëjtin qark si pjatlarëse
	Fuqia nuk është e përfshirë.	Kontrolloni nëse lavatrice enët janë të përfshira dhe dera është e mirë mbyllur. Kontrolloni që kordoni i rrymës është futur siç duhet në prizë.
	Presioni i ujit është i ulët.	Kontrolloni nëse makina është në rregull lidhur me ujësjellësin dhe nëse uji rrjedh.
	Dera e makinës larëse kontejneri nuk është i mbyllur siç duhet.	Kontrolloni që dera të jetë në rregull të mbyllura dhe të mbyllura.
Makina larese enët nuk e hedhin ujin	Zorra e kullimit është e përkulur ose i mbërthyer.	Kontrolloni zorrën e shkarkimit.
	Filtri është i bllokuar.	Kontrolloni filtrin për më të mëdhenj Mbetet.
	Lavamani është i bllokuar.	Kontrollo që të jetë lavaman sigurohuni që të kullojë mirë. Nëse problemi është shkaktuar nga një lavaman e cila nuk kullon, ndoshta do t'ju duhet më shumë hidraulik se sa artizanal duke lare enet.
Sapun në vend për larje	Detergjent i papërshtatshëm.	Përdorni vetëm detergjent special për larjen e enëve për të shmangur formimi i shkumës së sapunit. Nëse kjo ndodh, hapni makinën për larjen e enëve dhe prisni që të avullojë ujë me sapun. Hidh përafërsisht 1 litër ujë të ftohtë në fund të makinës. Mbyllni derën e makinës dhe më pas zgjidhni çdo cikël larjeje. Makina fillimisht do të kullojë ujin. Në fund të fazës së lëngjeve, hapeni derën dhe kontrolloni për më shumë ujë me sapun. Përsëriteni këtë proces sipas nevojës.
	Shpëlarësi është derdhur.	Fshijeni gjithmonë dhe menjëherë aktivin për të shpëlarë nëse derdhet.
Njollat nga brenda anën e vendit për larje	Mund të jetë përdorur detergjent që përmban një agjent ngjyruës.	Sigurohuni që detergjenti të mos përmbajë agjent ngjyruës.
Filmi i bardhë ndezur ato të brendshme sipërfaqet e vendit për larje	Mineralet e ujit të fortë.	Për të pastruar pjesën e brendshme, përdorni sfungjer i lagur që përmban detergjent për duke lare enet. Vishni doreza gome. Asnjëherë mos përdorni mjete të tjera për pastrimin sepse mund të krijojnë shkumë ose ujë me sapun.

Një problem	Arsyet e mundshme	Çfarë mund të bëhet
Në takëm shfaqen njolla nga ndryshku	Takëmet janë bërë nga materiale jo rezistente në ndryshk.	Shmangni larjen e enëve që nuk janë rezistente ndaj ndryshkut në lavatriçe enët.
	Ju nuk e keni ndezur makinën menjëherë pas shtimit të kripës. Gjurmët e kripës arrijnë tek ai ciklin e larjes.	Pasi të keni shtuar kripë, ndizni gjithmonë një nga programet e larjes pa enët në makinë. Mos e ndizni opsioni Turbo (nëse makina e ka).
	Kapaku është i lirshëm.	Kontrolloni nëse kapakun e zbutësit është në vend të sigurt.
Në lavatriçe enët dëgjohej një zë në trokitje	Doreza e spërkatës godet disa enë në shportë	Ndaloni programin dhe riorganizoni ato enët që bllokojnë dorezën e spërkatësin.
Në lavatriçe enët dëgjohej një zë në një zhurmë	Enët e brishta në makinë për larjen e enëve nuk janë rregulluar në mënyrë që ata të qëndrojnë të qëndrueshme.	Ndaloni programin dhe riorganizoni ato anije të brishta.
Në tubacionet e ujit dëgjohej një zë duke trokitur	Arsyeja për këtë mund të jetë instalimi në vend ose kalimi i tubacioneve.	Kjo nuk ndikon në asnjë mënyrë funksionimin e makinës larëse enët. Nëse keni ndonjë dyshim, kontaktoni një të kualifikuar hidraulik.
Enët nuk janë të pastra	Enët nuk janë të grumbulluara saktë.	Shih shënimet për PJEËA II "Përgatitja dhe vendosja e enët në pjatlarëse."
	Programi nuk është mjaft i fortë.	Përfshini një program më intensiv.
	Nuk është shtuar detergjenti i mjaftueshëm.	Shtoni më shumë detergjent ose ndryshoni detergjenti.
	Anijet e bllokojnë atë lëvizjen e kraheve për spërkatje.	Riorganizoni enët në mënyrë që hundët të rrotullohen lirshëm.
	Kompleti i filtrit është i ndotur ose jo i pozicionuar siç duhet në fund në ndarjen e larjes Makineria. Në këtë mënyrë mund të jetë bllokoni hundët në doreza në spërkatës.	Pastrojeni dhe/ose instaloni filtri në mënyrë korrekte. Pastrojini ato grykat në krahet spërkatës.
Enët e gelqit janë i turbullt.	Një kombinim i ujit të butë dhe shumë detergjent.	Nëse uji që përdorni është i butë, përdorni më pak detergjent dhe përdorni cikël më të shkurtra të larjes së xhamit enët
Në enët dhe gotat shfaqen të bardha njollat.	Përdorimi i ujit të fortë mund për të shkaktuar formimin e depozitave në shkallë.	Kontrolloni cilësimet e zbutësit me ujë ose mbushni enën me kripë.
Ata janë në enët shfaqen të zeza ose njolla gri	Anijet ishin më të forta kontakt me enë alumini	Për të hequr sa më sipër njollat, përdorni një gërryes të butë produkt pastrimi.
Në enën e detergjentit mbetet detergjenti	Anijet bllokojnë hapjen të kontejnerit të detergjentit.	Vendosni enët në përputhje me rrethanat.
Enët nuk thahen	Enët nuk janë të grumbulluara saktë.	Rregulloni pjatat ashtu siç janë treguar në udhëzime. Për të shmangur irritimi i lëkurës për shkak të enëve të gjakut mund të gjenden mbetje detergjente, përdorni doreza.
	Enët u hoqën nga makinë shumë e shpejtë.	Mos i hiqni enët nga lavatriçe larja e enëve menjëherë pas përfundimit në ciklin e larjes. Hapu hapeni derën pak për ta liruar avulli. Hiqini enët sa më shpejt temperatura në ndarjen e larjes do të bjerë aq sa t'i mundesh ju preki objektet. Së pari hiqni enët nga koshi i poshtëm, në mënyrë që uji nga koshi i sipërm të mos pikojë ajo e poshtme.

Një problem	Arsyet e mundshme	Çfarë mund të bëhet
Enët nuk thahen	Ju keni përfshirë programin e gabuar.	Me programe më të shkurtra, temperatura e larjes është më e ulët, gjë që e redukton atë efektin e larjes. Zgjidhni një program e cila ka një periudhë të gjatë larjeje.
	Përdorimi i takëmeve me përfundim me cilësi të dobët.	Procesi i kullimit të ujit është më i vështirë në anije të tilla. Takëme ose kontejnerët e këtij lloji nuk janë të përshtatshëm për larje në makinë larëse enësh.

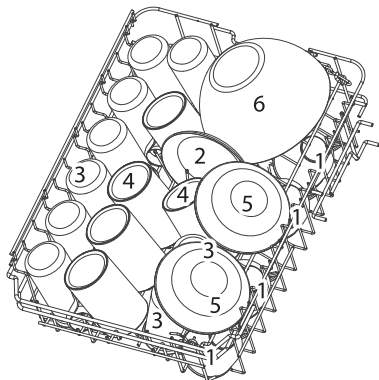
**PARALAJMËRIM!**

Riparimi i pajisjes nga një person jo profesionist mundet t'rrëzikojnë sigurinë e përdoruesit të pajisjes. Gjithashtu, mundet ndikon në ndryshimin e kushteve të garancisë.

## VENDOSJA E KONTEJERËVE NË KOSH SIPAS STANDARDIT EN 60436

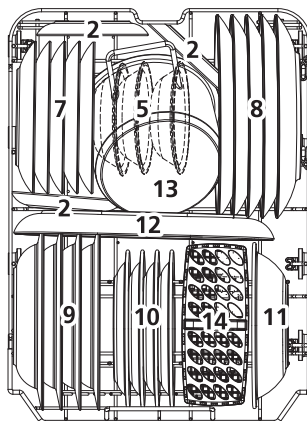
Përdorimi i kapacitetit të plotë të makinës larëse enësh gjatë ngarkimit kontribuon në kursimin e energjisë dhe ujit.

### 1. Shporta e sipërme:



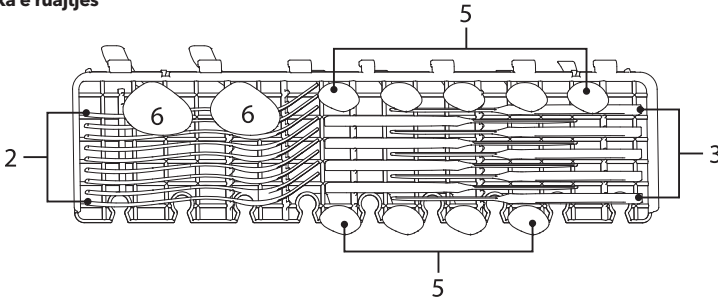
Numri	Artikulli
1	Kupat
2	Tabaka
3	Kupat
4	kriklla
5	Pjata ëmbëlsire
6	Pllaka qelqi

### 2. Shporta e poshtme:



Numri	Artikulli
7	Pjata ëmbëlsire
8	Pjatat e drekës
9	Tasa me supë
10	Melamine pjata ëmbëlsire
11	Pllaka melamine
12	Vezake
13	Enë të vogla
14	Shporta Escaig

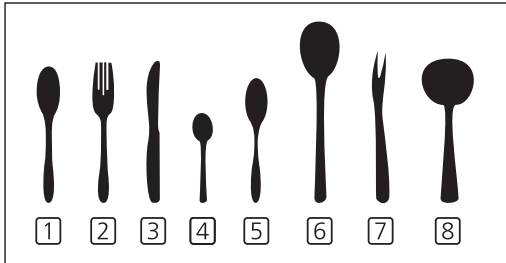
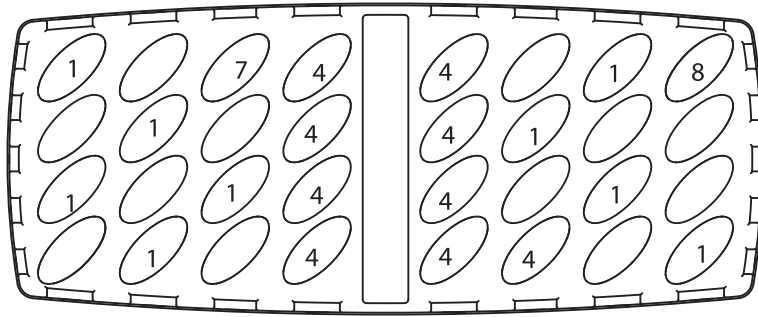
### 3. Politika e ruajtjes



Vendosni copa të lehta, të sheshta të rrëshqitjes në raft. Pesha totale duhet të jetë më pak se 1.5 kg.

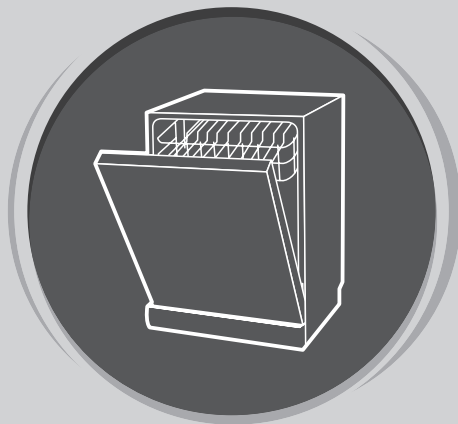
### 4. Shporta Eiscaig

→ Drejt Brenda



Numri	Artikulli
1	Lugë supë
2	Pirunët
3	Thika
4	Lugë kafeje
5	Lugë ëmbëlsirë
6	Lugë servirjeje
7	Pirunët e shërbimit
8	Kupat e salcës

Informacion mbi testet krahasuese në pajtueshmëria me standardin EN60436  
 Kapaciteti: 9 komplete  
 Pozicioni i sipërm i koshit: pozicioni i poshtëm  
 Programi: ECO  
 Cilësimi i shpëlarësit: MAX  
 Cilësimi i zbutësit: H3



# PJATALARËSE

Udhëzues

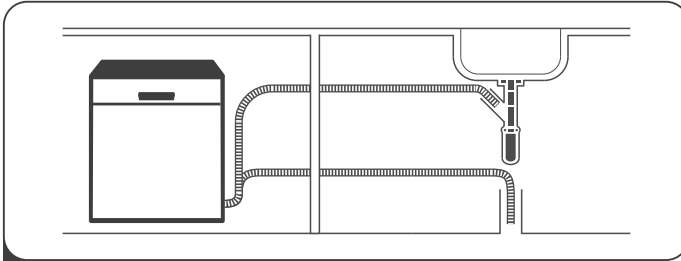
Përdorues

## **PJESA II: UDHËZIME PËR MODELIN SPECIFIK WDI461M**

Përpara se të përdorni lavastoviljen,  
lexoni me kujdes këtë manual dhe mbajeni për referencë në të ardhmen.

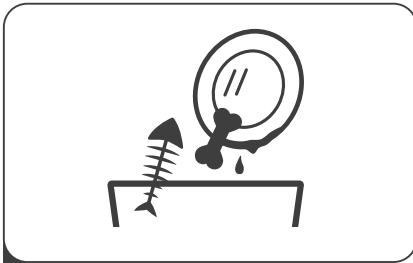
# UDHËZIME TË SHKURTËR PËR PËRDORIM

Për informacion më të detajuar se si ta përdorni, ju lutemi lexoni përmbajtjen në manualin e përdorimit.

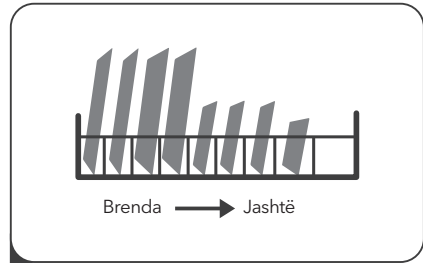


**1** Ngarkoni lavastoviljen

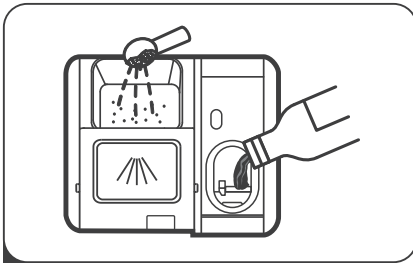
(Shih seksionin 5 "UDHËZIMET E INSTALIMIT" nën PJESA I: Udhëzime të Përgjithshme.)



**2** Hiqni mbetjet më të mëdha të ushqimit nga enët. Hiqni mbeturinat më të mëdha. Shmangni shpëlarjen paraprake.



**3** Vendosni enët në shporta.



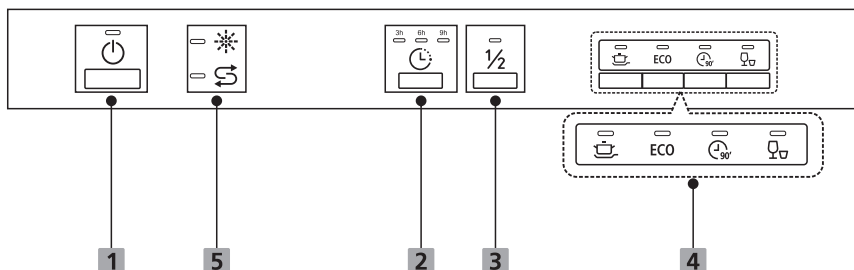
**4** Mbushni enën e detergjentit/detergjentit shpëlarje iteposudu za detergjent / mjet për shpëlarje.



**5** Zgjidhni programin e duhur dhe filloni atë pjatlarëse.

# PËRDORIMI I PJALALARAVE TUAJ





## Paneli i kontrollit





### opsioni (butoni)

- 1 Përfshirja Shtypni këtë buton për të ndezur makinën; paneli i kontrollit do të ndizet.
- 2 Iniciuar Shtypni butonin për të vonuar kohën e fillimit të pajisjes.
- 3 Gjysma e kapacitetit Nëse keni rreth gjysmën e numrit të përgjithshëm të enëve për të larë ose më pak, mund të zgjidhni këtë funksion për të kursyer energji dhe ujë. (Ky funksion mund të përdoret vetëm në modalitetin inovativ, ECO, 90 min.)

Zgjidhni programin e duhur të larjes, drita do të ndizet në treguesin e programit të zgjedhur.

- 4 Programi
  -  **Intensive**  
Për enët shumë të ndotura si tenxheret dhe tiganët. Me ushqim të djegur.
  -  **ECO**  
Ky është një program standard i përshtatshëm për enët normalisht të ndotura si tiganët, pjatat dhe gotat dhe për tiganët më pak të ndotur.
  -  **90 min**  
Për enët normalisht të ndotura që duhen larë shpejt.
  -  **I përshpejtuar**  
Një program më i shkurtër për larjen e enëve pak të ndotura që nuk kanë nevojë të thahen.

### Ekрани

- 5 Treguesi paralajmërues
  -  **Shpëlarës**  
Nëse ikona e treguesit "☀️" është ndezur, nuk ka mjaftueshëm shpëlarës në lavastovilje dhe duhet rimbushur.
  -  **Kështu që**  
Nëse ikona e treguesit "S" është ndezur, nuk ka kripë të mjaftueshme në pjatolarëse dhe duhet shtuar.

## Zbutës uji

Zbutësi i ujit duhet të rregullohet manualisht duke përdorur çelësin e fortësisë së ujit.

Një zbutës uji është projektuar për të hequr mineralet dhe kripërat nga uji që përndryshe do të kishin një efekt të dëmshëm ose negativ në funksionimin e pajisjes.

Sa më e lartë të jetë përmbajtja minerale e ujit që përdorni, aq më i vështirë është.

Sasia e zbutësit duhet të rregullohet sipas fortësisë së ujit në zonën ku jetoni.

Ju mund të merrni informacion në lidhje me fortësinë e ujit në zonën ku jetoni nga autoriteti lokal i ujit.

### Rregullimi i konsumit të kripës

Lavastovilja është projektuar për të lejuar që sasia e kripës së përdorur të rregullohet në bazë të fortësisë së ujit të përdorur. Qëllimi është të optimizoni dhe rregulloni nivelin e konsumit të kripës për çdo rast individual.

Për të rregulluar konsumin e kripës, ndiqni hapat e mëposhtëm.

Ndiz pajisjen;

1. Vazhdoni të shtypni butonin e përshpejtuar për më shumë se 5 sekonda për të aktivizuar modalitetin e rregullimit të zbutësit të ujit brenda 60 sekondave pas ndezjes së pajisjes;
2. Shtypni butonin Quick për të zgjedhur cilësimin e duhur sipas mjedisit tuaj. Cilësimet do të ndryshojnë në rendin e mëposhtëm: H3->H4->H5->H6->H1->H2->H3;
3. Shtypni butonin e energjisë për të dalë nga modaliteti i konfigurimit.

Fortësia e ujit			Mmol/l	Niveli i zbutësit mbi ujë	Rinovohet për secilën Sekuencat e programit <sup>1)</sup>	Konsumi të kripës (gram/cikël)
gjermanisht dH *	frëngjisht fH **	britanike Clark ***				
0 - 5	0 - 9	0 - 6	0 - 0.94	H1-> Drita e modalitetit është i përfshirë, Larje e shpejtë	Asnjë rigjenerim	0
6 - 11	10 - 20	7 - 14	1.0 - 2.0	H2->90 min Drita e modalitetit është aktiv	10	9
12 - 17	21 - 30	15 - 21	2.1 - 3.0	H3->90 min, Drita e modalitetit është aktiv, Larje e shpejtë	5	12
18 - 22	31 - 40	22 - 28	3.1 - 4.0	H4->ECO (ekologjike), Larje e shpejtë	3	20
23 - 34	41 - 60	29 - 42	4.1 - 6.0	H5->ECO (ekologjike), Drita e modalitetit është i përfshirë, Larje e shpejtë	2	30
35 - 55	61 - 98	43 - 69	6.1 - 9.8	H6->ECO (Mjedisore) Drita e modalitetit është përfshirë	1	60

$1^{\circ}\text{dH}=1,25$   $^{\circ}\text{fH}=0,178\text{mmol/l}$   $^{\circ}\text{Klarkov}=1,78$

Cilësimi i fabrikës: H3. Për informacion në lidhje me ngurtësinë e ujit që përdorni, kontaktoni autoritetin tuaj lokal të ujit.

<sup>1)</sup>Çdo cikël me opsionin e rigjenerimit konsumon 2 litra ujë shtesë, konsumi i energjisë rritet me 0,02 kWh dhe programi zjaket me 4 minuta.

### SHËNIM

Kontrolloni seksionin 3 "Vendosja e kripës në zbutësin e rrobave", PJESA I: Udhëzime të përgjithshme, nëse nuk ka kripë të mjaftueshme në makinën larëse.

### SHËNIM

**Nëse modeli i makinës suaj nuk përdor zbutës uji, mund ta kapërceni këtë seksion.**

### Zbutës uji

Fortësia e ujit ndryshon nga vendi në vend. Nëse lavastovilja përdor ujë të fortë, do të shfaqen depozitime në enët dhe takëm.

Pajisja është e pajisur me një ndarje të veçantë për zbutësin dhe ka një enë kripe, e cila është projektuar posaçërisht për të eliminuar shkallët dhe mineralet nga uji.



## Përgatitja dhe rregullimi i enëve në makinë

- Merrni parasysh blerjen e takëmeve me shënimin "lahet në makinë".
- Për pjata të caktuara, zgjidhni programin me temperaturën më të ulët të mundshme.
- Për të shmangur dëmtimin, mos i hiqni gotat dhe takëmet nga lavastovilja menjëherë pasi të ketë mbaruar programi.

### Llojet e mëposhtme të takëmeve/pjatarave:

#### Jo i përshtatshëm për larje:

- Takëme me doreza druri, me bri, porcelani ose perla
- Objekte plastike që nuk janë rezistente ndaj temperaturave të larta
- Llojet e vjetra të takëmeve me pjesë të ngjitura që nuk janë rezistente ndaj temperaturave të larta
- Takëme ose enë ngjitëse
- Enë prej kallaji ose bakri
- Gota kristali
- Enë gatimi inox
- Ovalë prej druri
- Enët e tavolinës nga fibra sintetike

### Ato mund të lahen pjesërisht:

- Disa lloje gotash mund të humbasin shkëlqimin e tyre pas disa cikleve të larjes
- Pjesët prej argjendi dhe alumini zakonisht ndryshojnë ngjyrën kur lahen
- Nëse ato lahen shpesh në makinë, elementët me xham mund të errësohen

### Rekomandime për rregullimin e enëve në makinë

Hiqni copa më të mëdha të ushqimit të mbetur. Zbutni mbetjet e ushqimit të djegur në tigan. Nuk është e nevojshme të lani enët me ujë të rrjedhshëm.

Për performancën më të mirë të pjatolarës, ndiqni këto udhëzime për rregullimin e enëve në pjatolarëse.

**(Veçoritë dhe pamja e koshave dhe koshave të takëmeve mund të ndryshojnë nga shportat në modelin tuaj.)**

Vendosni artikujt në pjatolarëse si më poshtë:

- Enë të tilla si gota, gota, tenxhere/tepsi etj. vënë në pozicion të kundërt.
- Enët e lakuar dhe enët me pjesë të paarritshme duhet të vendosen diagonalisht, në mënyrë që uji të rrjedhë pa probleme.
- Aksesorët e plotë duhet të vendosen në mënyrë që të jenë të qëndrueshme dhe të mos përmbysen.
- Aksesorët e plotë duhet të vendosen në mënyrë që grykat të mund të rrotullohen lirshëm gjatë procesit të larjes.
- Vendosni enët të zbrazëta, si kriklla, gota, tigan, etj., me hapjen e kthyer nga poshtë, në mënyrë që uji të mos mblihdet në enë ose në fund të thellë.
- Enët dhe takëmet nuk duhet të vendosen brenda njëra-tjetrës ose të mbuloen me njëra-tjetrën. Për të shmangur dëmtimin e syzeve, kini kujdes që të mos i prekni.
- Shporta e sipërme është menduar për pjata më delikate dhe më të lehta, si filxhanë dhe filxhanë për kafe dhe çaj.
- Thikat me tehe të gjata të vendosura në një pozicion vertikal janë një rrezik potencial!
- Pjesët e gjata dhe/ose të mprehta të takëmeve, të tilla si thikat prerëse, duhet të vendosen në koshin e sipërm në një pozicion horizontal.
- Mos e mbingarkoni lavastoviljen. Ka arsye të mira pse është e rëndësishme të ndiqni këtë udhëzim dhe një nga arsyet është konsumi i arsyeshem i energjisë



#### SHËNIM

Gjërat jashtëzakonisht të vogla nuk duhet të lahen në makinë larëse enësh, pasi ato mund të bien lehtësisht nga koshi.

### Heqja e enëve

Për të parandaluar derdhjen e ujit nga koshi i sipërm në koshin e poshtëm, ju rekomandojmë që fillimisht të hiqni përmbajtjen nga koshi i poshtëm dhe më pas nga koshi i sipërm.



#### PARALAJMËRIM!



**Enët do të jenë të nxehta!** Për të shmangur dëmtimin, mos i hiqni gotat dhe takëmet nga lavastovilja për të paktën 15 minuta pas përfundimit të programit.

### Rregullimi i enëve në koshin e sipërm

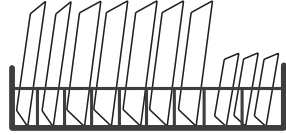
Shporta e sipërme është menduar për pjata më delikate dhe më të lehta, si filxhanë kafeje dhe çaji, filxhanë dhe tabaka, si dhe pjata, pjata të vogla dhe tigane të cekëta (nëse nuk janë tepër të ndotura). Vendosni enët dhe elementët e gatimit në mënyrë që të mos lëvizin nga rrjedha e ujit.



### Rregullimi i enëve në koshin e poshtëm

Ju sugjerojmë të vendosni enët e mëdha në koshin e poshtëm, si dhe enët që lahen më të vështira, si tenxheret, tiganët, kapakët, pjatat e servirjes dhe pjatat, siç tregohet në foto. Është mirë që të vendosni enët e shërbimit dhe kapakët në anët e rafteve në mënyrë që të mos bllokoni rrotullimin e spërkatësit të sipërm.

Këshillohet që të mos vendosni enët me diametër më të madh se 19 cm përpara enës së detergjentit, për të parandaluar bllokimin.



### Vendosja e enëve në koshin e takëmeve

Takëmet duhet të renditen në raftin e takëmit në mënyrë që secili element i takëmit të qëndrojë veçmas, në vendin e caktuar. Për më tepër, sigurohuni që aksesoret të mos jenë grumbulluar shumë dendur, pasi kjo mund të rezultojë në performancë të dobët të makinës.



#### PARALAJMËRIM!



Mos lejoni që pjesët e enëve të kalojnë nga fundi.

Vendosni gjithmonë enët e mprehta me majë të mprehtë të kthyer nga poshtë!



#### SHËNIM

Për efektin më të mirë të larjes, rregulloni enët në shporta sipas metodat standarde të vendosjes të renditura në seksionin e fundit të PJESA I: UDHËZIME TË PËRGJITHSHME

## Roli i shpëlarësit dhe detergjentit

Shpëlarësi shpërndahet gjatë shpëlarjes përfundimtare për të parandaluar formimin e pikave të ujit në enët tuaja, të cilat mund të lënë njolla rrethore dhe lara-lara. Përveç kësaj, ky agjent përmirëson tharjen sepse lejon që uji të rrëshqasë nga enët. Është menduar të jetë në makinën tuaj larëse.



#### PARALAJMËRIM!

Përdorni vetëm detergjentë të markës në pjatlarëse. Asnjëherë mos vendosni substanca të tjera (p.sh. detergjent për larjen e enëve, detergjent të lëngshëm) në enën e shpëlarësit. Mund të dëmtojë pajisjen.

### Kur kutia e shpëlarësit duhet të rimbushet

Sa shpesh e mbushni rezervuarin do të varet nga frekuenca e larjes së enëve, si dhe nga cilësimi i aktivizuar i shpëlarësit.

Drita treguese për rezervuarin e ulët të shpëlarësit (☼) do të ndizet kur kërkohet një rimbushje e shpëlarësit. Mos e mbushni shumë rezervuarin e shpëlarësit.

### Roli i detergjentit

Përbërësit kimikë në detergjent janë të nevojshëm për të hequr, copëtuar dhe larguar të gjitha llojet e papastërtive nga pjatlarëse. Shumica e detergjenteve komerciale janë të përshtatshme për këtë qëllim.



#### PARALAJMËRIM!

### Përdorimi i duhur i detergjentit

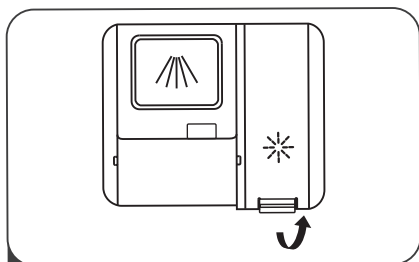
Përdorni vetëm detergjentë të krijuar posaçërisht për pjatlarëse. Ruani detergjentët për t'i mbajtur ato të freskëta dhe të thata. Mos shtoni detergjentë pluhur në mbajtësen e detergjentit derisa të jeni gati të përdorni lavastoviljen.



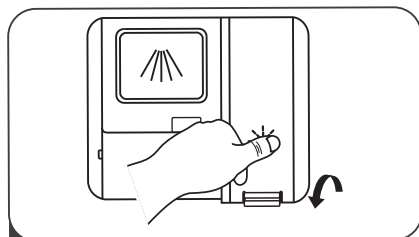
**Detergjenti për larjen e enëve është gërryes!**

**Mbajeni detergjentin për larjen e enëve jashtë mundësive të fëmijëve.**

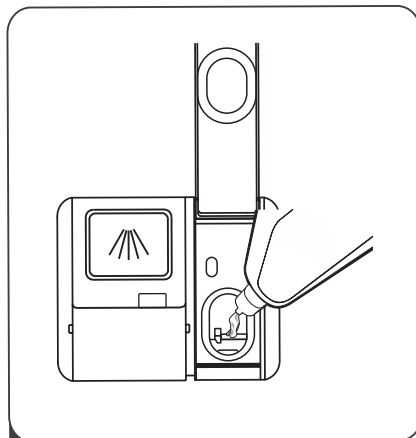
## Mbushja e rezervuarit të shpëlarësit



- 1 Hiqni kapakun e rezervuarit të agjentit për shpëlarje duke ngritur dorezën



- 3 Pas procedurës, mbyllni kapakun.



- 2 Hidhni shpëlarësin brenda rezervuari, duke pasur kujdes që të mos e mbushni shumë.

### Rregullimi i rezervuarit të shpëlarësit

Për të arritur një efekt më të mirë tharjeje dhe me përdorim të kufizuar të shpëlarësit, lavastovilja është projektuar për të lejuar që konsumi të rregullohet në varësi nga nevojat e përdoruesit. Ndiqni hapat e mëposhtëm

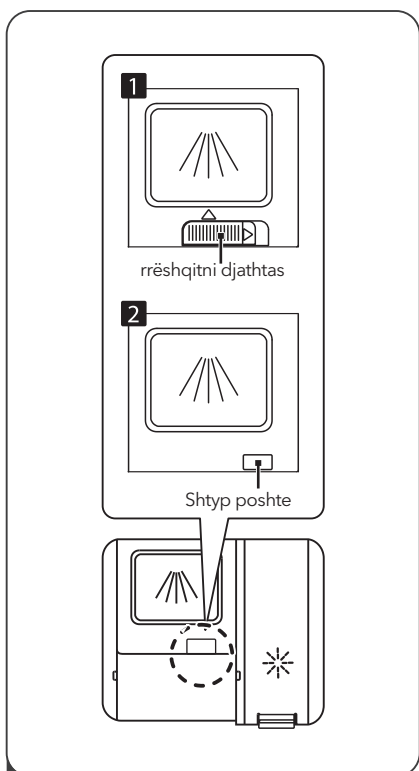
- Hape deren. Ndizni pajisjen.
- Brenda 60 sekondave pas kryerjes së hapit 1, shtypni butonin e modalitetit të larjes së shpejtë dhe mbajeni për më shumë se 5 sekonda, më pas shtypni butonin e nisjes me vonesë për të hyrë në opsionet e cilësimeve; treguesi i shpëlarësit do të pulsojë me një frekuencë prej 1 Hz.
- Shtypni butonin e larjes së shpejtë për të zgjedhur cilësimin e duhur, sipas zakoneve tuaja të larjes së enëve. Cilësimet do të ndryshojnë në rendin e mëposhtëm: D1->D2->D3->D4->D5->D1. Sa më i lartë numri, aq më shumë shpëlarës përdor lavastovilja.
- Shtypni butonin e energjisë për të përfunduar procesin e konfigurimit.

#### Niveli i shpëlarësit

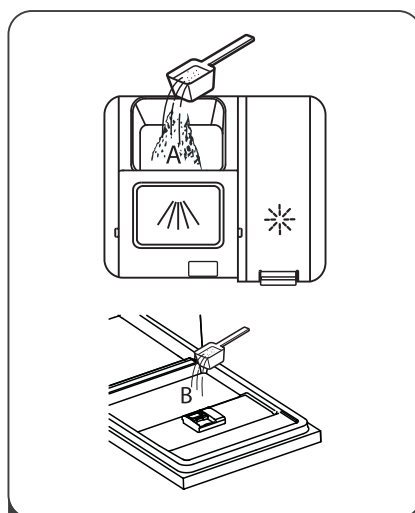
#### Pozicioni kyç për zgjedhjen e programit

D1	D1-> Drita e modalitetit të larjes së shpejtë është ndezur
D2	D2-> Dritë ndezur për modalitetin 90 minuta
D3	D3-> Drita e modalitetit të larjes së shpejtë e ndezur, 90 min
D4	D4-> Drita e modalitetit ECO është ndezur
D5	D5-> Larje e shpejtë, drita e modalitetit ECO e ndezur

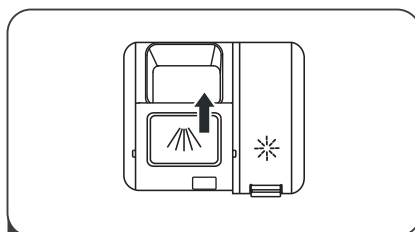
## MBUSHJA E KONSIT TË DETERGJENTIT



- 1 Zgjidhni metodën e hapjes në varësi të pajisjes e duhur.
1. Hapni kapakun duke rrëshqitur bllokimin çlirimi.
  2. Hapni kapakun duke rrëshqitur shulën çlirimi.



- 2 Shtoni detergjent në hapjen më të madhe (A) për ciklin kryesor të larjes. Të arrish rezultate më të mira të larjes, veçanërisht nëse keni enët jashtëzakonisht të pista, derdhni një sasi të vogël detergjent në derë. Kjo sasi shtesë i detergjentit do të aktivizohet gjatë fazës së paralarje.



- 3 Mbyllni kapakun duke e rrëshqitur përpara dhe më pas duke e shtypur.

### SHËNIM




- Vini re se cilësimet mund të ndryshojnë në varësi të shkallës së ndotjes së ujit.
- Ndiqni rekomandimet e prodhuesit të renditura në paketimin e detergjentit.

# PROGRAMIMI I PJALALARAVE

## Grafiku i ciklit të larjes

Tabela e mëposhtme tregon programet më të përshtatshme sipas shkallës së mbetjeve të ushqimit në enët dhe sasisë së detergjentit të kërkuar. Të dhëna të ndryshme në lidhje me programet janë paraqitur më poshtë. Vlerat e konsumit dhe kohëzgjatja e programit janë të përafërta, me përjashtim të programit ECO (Environmental).

● Etiketa tregon nevojën për të shtuar shpëlarës në enën e shpëlarësit.

Programi	Përshkrimi i ciklit	Detergjent larje	Koha cikël (min)	Energjisë (Kwh)	Uji (L)	Do të thotë për shpëlarje
 <b>Në mënyrë intensive</b>	Paralarje (50°C)					
	Larje (65°C)					
	Shpëlarje	4/13 g	205	1.378	15.3	●
	Shpëlarje	1 ose 2 copë				
	Shpëlarje (65°C)					
Tharje						
<b>ECO</b> (*EN 60436)	Larje (45°C)					
	Shpëlarje	17 g	235	0.704	9.0	●
	Shpëlarje (55°C)					
	Tharje					
 <b>90 min</b>	Larje (60°C)					
	Shpëlarje	17 g	90	1.234	10.2	●
	Shpëlarje (65°C)	1 tab				
	Tharje					
 <b>Shpejt</b>	Larje (50°C)					
	Shpëlarje	12 g	30	0.611	10.0	○
	Shpëlarje (45°C)					



### ECO (\*EN 60436)

Programi EKO (Ekologjik) është i përshtatshëm për larje normale enët e pista për të cilat (\*EN60436) është programi më efektiv ky përdorim në lidhje me konsumin e kombinuar të energjisë dhe ujit dhe përdoret për të vlerësuar pajtueshmërinë me Legjislacioni i BE-së për ekodizajn.

## Kursimi i energjisë

- Shpëlarja paraprake e enëve çon në rritjen e konsumit të ujit dhe energjisë dhe nuk rekomandohet.
- Larja e enëve në një makinë larëse enësh shtëpiake zakonisht harxhon më pak energji dhe ujë sesa larja e enëve me dorë, kur lavastovilja përdoret sipas udhëzimeve.

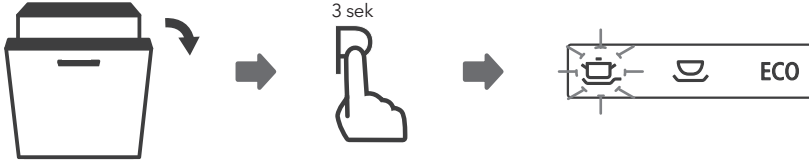
## Fillimi i ciklit të larjes

- Tërhiqni koshat e poshtme dhe të sipërme, vendosni enët dhe kthejini ato në makinë. Rekomandohet që fillimisht t'i vendosni enët në koshin e poshtëm dhe më pas në koshin e sipërm.
- Hidhni detergjentin.
- Fusni spinën në prizë. Për informacion mbi furnizimin me energji elektrike, shihni seksionin "Veçoritë e produktit" në faqen e fundit. Sigurohuni që furnizimi me ujë të jetë i ndezur dhe me presion të plotë.
- Hapni derën, shtypni butonin e ndezjes dhe drita e ndezjes/fikjes do të ndizet.
- Zgjidhni programin, pas së cilës drita treguese do të ndizet. Më pas mbylleni derën dhe lavastovilja do të fillojë ciklin e saj.

## Ndryshimi i programit gjatë ciklit të nisur

Cikli i larjes në vazhdim mund të ndryshohet vetëm nëse nuk ka kaluar shumë kohë që nga fillimi i makinës. Përndryshe, makina mund ta ketë futur tashmë detergjentin në ciklin e larjes dhe të ketë kulluar ujin me sapun. Në këtë rast, duhet të rivendosni makinën dhe të rimbushni enën e detergjentit. Për të rivendosur makinën larëse nënsh, ndiqni udhëzimet e treguara më poshtë:

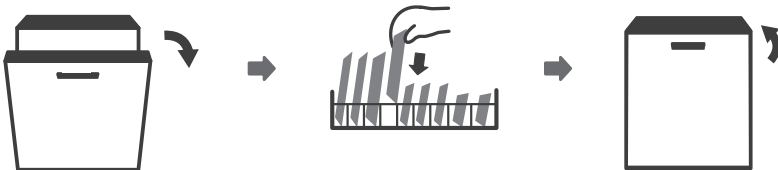
1. Hapeni derën pak, për të ndaluar lavastoviljen, pasi doreza e spërkatjes të ndalojë së punuari, mund ta hapni derën më gjerë.
2. Shtypni çdo buton programi dhe mbajeni për më shumë se 3 sekonda për të anuluar programin aktualisht aktiv dhe makina do të hyjë në modalitetin e gatishmërisë.
3. Mund ta ndryshoni programin në cilësimin e ciklit të dëshiruar.



## Keni harruar të shtoni një tas?

Mund ta shtoni enën që keni harruar të vendosni në makinë në çdo kohë përpara se të hapet kutia e detergjentit. Në këtë rast, ndiqni këto udhëzime:

1. Hapni pak derën për të ndaluar ciklin e larjes
2. Pasi doreza e spërkatjes të ndalojë së punuari, mund ta hapni derën gjerësisht
3. Shtoni enët që keni harruar të vendosni në makinë.
4. Mbylle derën.
5. Lavastovilja do të rindizet.



### PARALAJMËRIM!



Është e rrezikshme të hapësh derën e makinës ndërsa cikli është në zhvillim, pasi mund të digjeni nga avulli i nxehtë

# SHENJË E GABIMIT

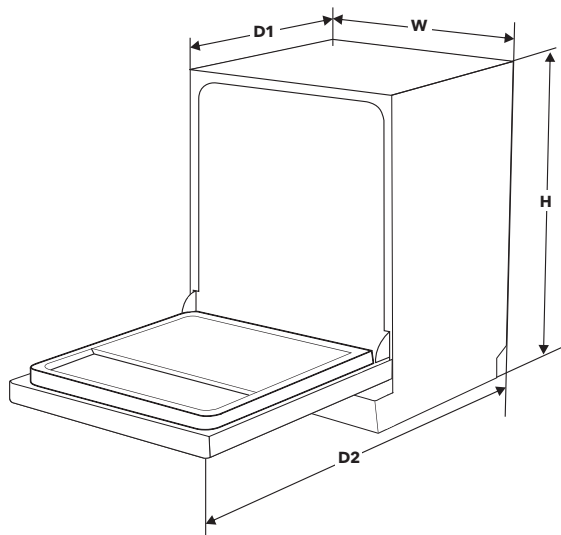
Në rast të funksionimit të gabuar, lavastovilja do të shfaqë simbolet e gabimit, të cilat identifikojnë rastet e mëposhtme:

Etiketat	Kuptimi	Arsyet e mundshme
Treguesi i larjes së shpejtë pulson vazhdimisht	Koha e zgjatur e marrjes së ujit.	Çezmat nuk janë të zhveshur ose furnizimi me ujë është i bllokuar ose presioni i ujit është shumë i ulët.
Treguesit për 90 minuta dhe larja e shpejtë pulsin vazhdimisht.	Temperatura e caktuar nuk mund të arrihet.	Ngrohës me defekt.
Treguesi i larjes ECO pulson vazhdimisht	Një derdhje.	Një pjesë e enëlarëses po rrjedh ujë.
Treguesit e dritës të Intensive, ECO (Mjedisore) dhe Larjes së Shpejtë pulsin me shpejtësi	Humbja e komunikimit midis bordit të qarkut kryesor dhe tabelës së ekranit.	Qark i hapur ose lidhje e prishur për të vendosur komunikim.

## PARALAJMËRIM!

- Nëse uji derdhet, fikni valvulën kryesore të ujit përpara se të telefononi për shërbim.
- Nëse ka ujë në fund të makinës për shkak të një tejmbushjeje ose një rrjedhjeje të vogël uji, ky ujë duhet të hiqet përpara se të ndizni përsëri lavastoviljen.
- Nëse ka një kod gabimi që nuk mund të zgjidhet, kërkoni ndihmë profesionale nga një teknik shërbimi.

## TË DHËNAT TEKNIKE



<b>Lartësia (V)</b>	815mm
<b>Gjerësia (W)</b>	448mm
<b>Thellësia (D1)</b>	550mm (me derë të mbyllur)
<b>Thellësia (D2)</b>	1150mm (me derën e hapur në një kënd prej 90°)

## Lista e informacionit të produktit (EN60436)

**Emri i furnizuesit ose marka tregtare:** Tesla

**Adresa e furnizuesit (b):**

**Kodi i identifikimit të modelit:** WDI461M

**Parametrat e përgjithshëm të produktit:**

Parametri	Vlera	Parametri	Vlera	
Kapaciteti i vlerësuar (a) (p.s.)	9	Dimnesia cm	Lartësia	82
			Gjerësia	45
			Thellesi	55
EEI (a)	55,9	Klasa e energjisë efikasitetit (a)	E (c)	
Indeksi i efikasitetit e pastrimit (a)	1,125	Indeksi i efikasitetit në tharje (a)	1,065	
Konsumim i energjise shprehur në kWh [për ciklin], bazuar në eko programi, me përdorim të ujit të ftohtë. E verteta konsumi i energjisë do varet nga mënyra se si përdoret pajisja.	0,704	Konsumit të ujit shprehur në litra [po ciklin], bazuar në eko Programi. E verteta konsumi i ujit do varet nga mënyra se si janë përdorni pajisjen dhe fortësinë mbi ujë.	9,0	
Kohëzgjatja e programit (a) (h:min)	3:55	Lloji	I ndertuar	
Emetimi i zhurmës në ajri (a) (dB(A) re 1 pW)	49	Klasa e emetimit të zhurmës në ajër (a)	C (c)	
Modaliteti joaktive (W)	0,49	Modaliteti i gatishmërisë (Gatishmëri) (W)	N/A	
Fillimi i vonuar (W) (nëse është e aplikueshme)	1,00	Gatishmëria në rrjet (W) (nëse është e aplikueshme)	N/A	

**Periudha minimale e garancisë e ofruar nga furnizuesi (b):**

**Informacion shtese:**

Një lidhje që çon në faqen e internetit të furnizuesit, ku disponohet informacioni i renditur në pikën 6 të Aneksit II të Rregullores së Komisionit (BE) 2019/2022 (1) (b) :

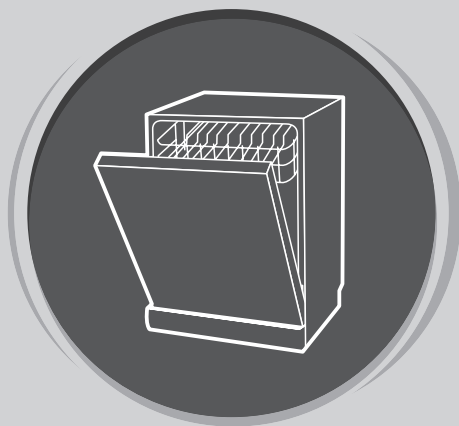
(a) për programin eko.

(b) ndryshimet në këto zëra nuk do të konsiderohen të rëndësishme për qëllimet e paragrafit 4 të nenit 4 të Rregullores (BE) 2017/1369.

(c) nëse përmbajtja e plotë e kësaj fushe gjenerohet automatikisht në bazën e të dhënave të produktit, furnizuesi nuk do të vendosë të dhënat e përmendura.

(1) Rregullorja e Komisionit (BE) 2019/2022 e datës 1 tetor 2019 që përcakton kërkesat në lidhje me eko-dizajnin e lavastoviljes shtëpiake, dhe në përputhje me Direktivën 2009/125/EC të Parlamentit Evropian dhe të Këshillit, e cila ndryshon Rregulloren e Komisionit ( BE) 1275/2008 dhe shfuqizon Rregulloren e Komisionit (BE) 1016/2010 (shih faqen 267 të kësaj Fletore Zyrtare).





# MAŠINA ZA PRANJE POSUĐA

Uputstvo  
za upotrebu

## DIO I: UOPŠTENO UPUTSTVO

Prije upotrebe mašine za pranje posuda, pažljivo pročitajte ovo uputstvo i sačuvajte ga za buduću upotrebu.

# BEZBJEDNOSNA UPUTSTVA

## UPOZORENJE!

Prilikom upotrebe mašine za pranje posuda, pridržavajte se sljedećih mjera predostrožnosti:

- Postavljanje i popravku može izvesti samo kvalifikovani tehničar
- Uređaj je namijenjen upotrebi u domaćinstvu i za slične namjene, kao što su:
  - kuhinjski prostori za zaposlenje u prodavnicama, kancelarijama i drugim radnim okruženjima;
  - poljoprivredna domaćinstva;
  - od strane hotelskih i motelskih gostiju, kao i drugih vrsta smještajnih objekata;
  - objekti koji pružaju uslugu noćenja sa doručkom;
- Ovaj uređaj mogu koristiti djeca starosti 8 ili više godina i osobe sa smanjenim fizičkim, čulnim ili mentalnim sposobnostima, ili manjkom iskustva i znanja ukoliko su pod nadzorom, ili su im data uputstva u vezi sa bezbjednom upotrebom uređaja, i svjesni su mogućeg rizika.
- Deca ne bi trebalo da se igraju ovim uređajem. Uređaj ne smiju čistiti djeca, osim ako to ne čine pod nadzorom. (Prema EN60335-1)
- Nije predviđeno da ovaj uređaj upotrebljavaju osobe (uključujući djecu) sa umanjnim fizičkim, čulnim ili mentalnim sposobnostima, ili osobe bez iskustva i znanja, osim ukoliko su pod nadzorom ili ukoliko su dobile uputstva o upotrebi uređaja od osobe odgovorne za njihovu bezbjednost. (Prema IEC60335-1) Ambalaža može biti opasna za djecu!
- Ovaj proizvod je predviđen isključivo za upotrebu u domaćinstvu i u zatvorenom prostoru.
- Kako biste smanjili rizik od strujnog udara, ne potapajte proizvod, kabal ili utikač u vodu ili neku drugu tečnost. Prije čišćenja i održavanja uređaja, molimo vas da prekinete napajanje uređaja električnom energijom.
- Za čišćenje koristite mekanu krpnu navlaženu blagom sapunicom, a zatim ponovo obrišite svomom krpom.

## Uputstva u vezi sa uzemljenjem

- Ovaj uređaj mora biti uzemljen. U slučaju nepravilnog rada ili kvara, uzemljenje će umanjiti rizik od pojave strujnog udara tako što će električnu struju omogućiti da nađe put sa najmanjim otporom. Ovaj uređaj je opremljen priključkom za sprovođenje uzemljenja.
- Neophodno je da priključak bude povezan sa odgovarajućim izlazom postavljenim i uzemljenim u skladu sa svim lokalnim propisima i naredbama.
- Neodgovarajuće povezivanje opreme sa provodnikom uzemljenja može da izazove rizik od strujnog udara. Ukoliko imate nedoumice u vezi sa pravilnim uzemljenjem uređaja, provjerite uzemljenje zajedno sa kvalifikovanim električarem ili predstavnikom servisa.
- Ukoliko priključak koji ste dobili uz uređaj ne odgovara utičnici, nemojte ga prepravljati.
- Neka Vam kvalifikovani električar postavi

odgovarajuću utičnicu.

- Nemojte primjenjivati silu, sjediti ili stajati na vratima ili policama za posude, koje se nalaze u mašini za pranje posuda.
- Nemojte puštati u rad svoju mašinu za pranje posuda ukoliko sve table kućišta nisu na svojim pozicijama.
- Budite veoma pažljivi prilikom otvaranja vrata mašine za pranje posuda dok ona radi, jer postoji rizik da Vas isprska mlaz vode. Ne stavljajte teške predmete na otvorena vrata mašine i nemojte stajati na njima. Uređaj bi se mogao prevrnuti.
- Prilikom raspoređivanja posuda koje je potrebno oprati:
  1. Oštre predmete rasporedite tako da ne mogu da oštete zaptivku na vratima;
  2. Upozorenje: Noževi i ostali pribor oštrih vrhova morate rasporediti u korpi tako da im vrhovi budu okrenuti ka dole ili ih morate postaviti u horizontalni položaj..
- Neki deterđenti za mašinsko pranje posuda su veoma alkalni. Ukoliko dođe do njihovog gutanja, mogu biti izuzetno opasni.
- Izbjegavajte kontakt sa kožom i očima, a djecu držite dalje od mašine za pranje posuda ukoliko su vrata otvorena.
- Po završetku ciklusa pranja, provjerite da li ima još praha od deterđenta.
- Nemojte prati plastično posuđe, osim ukoliko nosi oznaku „bezbedno za mašinsko pranje“ ili slično.
- Kod plastičnog posuđa koje ne nosi nikakvu oznaku, provjerite preporuke proizvođača.
- Upotrebljavajte isključivo deterđente i sredstva za ispiranje preporučena za upotrebu u automatskim mašinama za pranje posuda.
- Nikada nemojte u mašinu za pranje posuda stavljati sapun, deterđent za pranje veša ili deterđent za pranje ruku.
- Ne ostavljajte otvorena vrata, jer time povećavate rizik od saplitanja.
- Ukoliko je kabal za napajanje oštećen, mora ga zamijeniti proizvođač, njegov agent za servisiranje ili slično kvalifikovano lice, kako bi se izbjegli mogući rizici.
- Prilikom postavljanja, priključni kabal se ne smije savijati ili pritisakati na prekomjeran ili opasan način.
- Nemojte nepropisno prepravljati kontrolne tastere.
- Uređaj je potrebno povezati sa glavnom ventilom za vodu pomoću novog kompleta crijeva. Nemojte upotrebljavati stare komplete crijeva.
- U cilju uštede energije, uređaj će se u režimu pripravnosti automatski isključiti ukoliko mašina nije aktivna tokom perioda od 15 minuta.
- Maksimalni broj kompleta prilikom pranja iznosi 9.
- Maksimalni dozvoljeni pritisak ulazne vode iznosi 1 MPa.
- Minimalni dozvoljeni pritisak ulazne vode iznosi 0,04 MPa.

## Odlaganje



- Za odlaganje ambalaže i samog uređaja, obratite se centru za recikliranje. Isjecite priključni kabal i onesposobite mehanizam za zatvaranje vrata na uređaju.
- Kartonska ambalaža je proizvedena od recikliranog papira i treba je odložiti na mjesto za prikupljanje papirnog otpada radi ponovnog recikliranja.
- Ispravnim odlaganjem proizvoda, pomoćićete sprječavanju potencijalnih negativnih posljedica po

životnu sredinu i ljudsko zdravlje, koje inače mogu biti uzrokovane nenepravnim odlaganjem otpada kao što je ovaj uređaj.

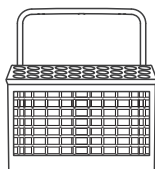
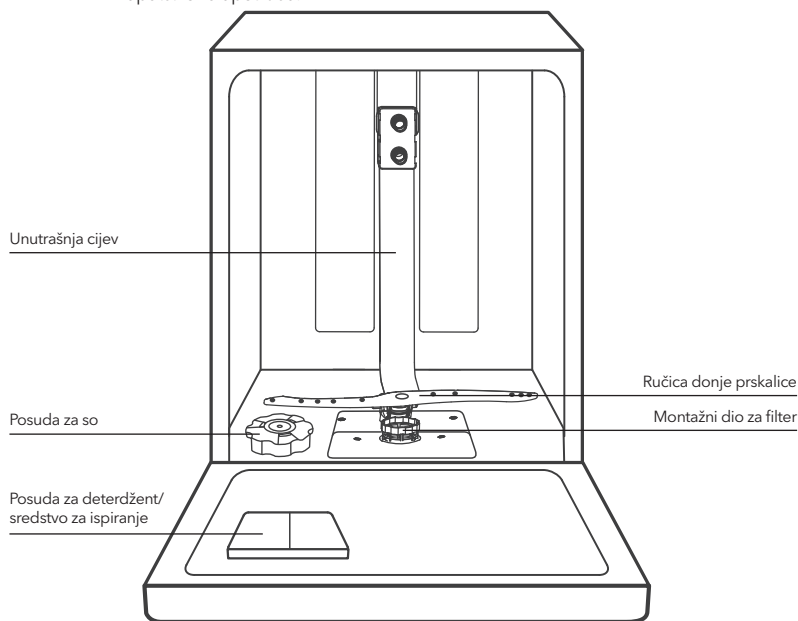
- Za više informacija o recikliranju ovog proizvoda, molimo Vas da kontaktirate kancelariju jedinice lokalne samouprave ili komunalni servis za odlaganje kućnog otpada.
- **ODLAGANJE: Ne odlažite ovaj proizvod kao nerazvrstan komunalni otpad. Ovakav otpad je neophodno zasebno sabirati radi njegovog posebnog tretiranja.**

## PRIKAZ PROIZVODA

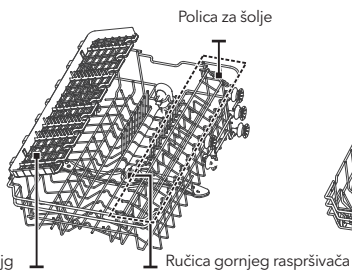


**VAŽNO!**

Za maksimalni učinak Vaše mašine za pranje posuda, prije prve upotrebe pročitajte kompletno uputstvo za upotrebu.



Korpa za pribor za jelo



Gornja korpa



Donja korpa

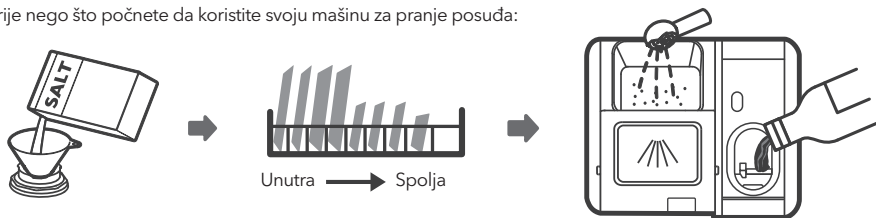


**NOTE**

Slike su date isključivo u ilustrativne svrhe, različiti modeli se mogu razlikovati.

# UPOTREBA VAŠE MAŠINE ZA PRANJE SUDOVA

Prije nego što počnete da koristite svoju mašinu za pranje posuđa:



1. Podesite omekšivač vode
2. Stavite so u omekšivač
3. Rasporedite posuđe u korpe
4. Napunite dozator deterdženta / sredstva za ispiranje

## NAPOMENA

Ukoliko je potrebno da podesite omekšivač vode, pogledajte odjeljak 1 „Omekšivač vode“, koji se nalazi u DIJELU II: Uputstvo za određeni model.

## Stavite so u omekšivač

### NAPOMENA

Ukoliko se u okviru Vašeg modela mašine ne upotrebljava omekšivač vode, ovaj odjeljak možete preskočiti.

Koristite isključivo so, koja je namjenjena za mašinu za pranje posuđa.

Posuda za so se nalazi ispod donje korpe, a treba da bude dopunjena na način prikazan dalje u tekstu:

### UPOZORENJE!

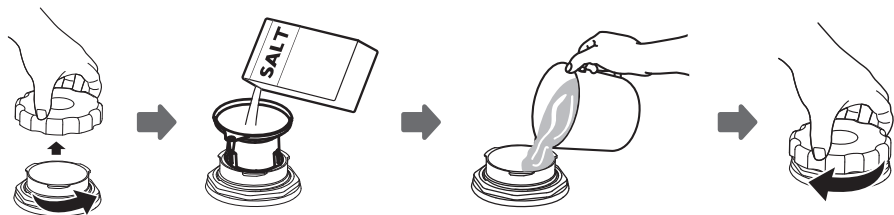
- **Koristite isključivo so koja je posebno proizvedena za mašine za pranje posuđa!**

Bilo koja druga vrsta soli, koja nije posebno proizvedena za mašinu za pranje posuđa, a naročito jestiva so, oštetit će omekšivač vode. U slučaju oštećenja nastalih usljed upotrebe neodgovarajuće vrste soli, proizvođač ne pruža nikakve garancije, niti je odgovoran za bilo kakvo oštećenje nastalo tom prilikom.

- **So dopunjujte isključivo neposredno prije nego što mašina započne ciklus pranja.**

Na taj način ćete spriječiti zadržavanje potencijalno prosutih zrna soli ili slane vode na dnu mašine tokom određenog vremenskog perioda, što može izazvati rđanje.

Pratite sljedeće korake kako biste dodali so za mašinu za pranje posuđa:



1. Skinite donju korpu i odšarafite poklopac rezervoara.
2. Stavite donji dio ljevka (koji se dostavlja uz proizvod) u otvor i naspete oko 1,5 kg soli za mašinu za pranje posuđa.
3. Dopunite posudu za so vodom do njene maksimalne granice. Uobičajeno je da se, tom prilikom, iz posude za so prospe manja količina vode.
4. Nakon što napunite posudu, ponovo stavite poklopac i dobro ga zašarafite.
5. Nakon što naspete so u posudu za so, lampica upozorenja za količinu soli će prestati da svijetli.
6. Neki od programa pranja bi trebalo pokrenuti odmah po stavljanju soli u posudu za so (Predlažemo upotrebu nekog od kraćih programa). U suprotnom, slana voda bi mogla da ošteti sistem za filtriranje, pumpu ili neke druge važne dijelove mašine. U tom slučaju, garancija se neće primjenjivati.

## NAPOMENA

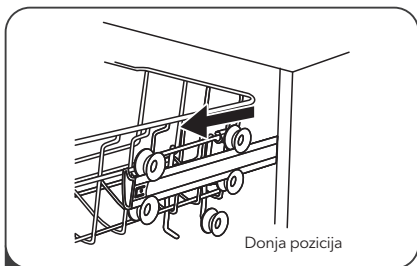
- Posuda za so se mora dopunjavati samo kada se na kontrolnoj tabli uključi lampica upozorenja za količinu soli (☹). Zavisno od stepena rastvorljivosti soli, lampica upozorenja za količinu soli može nastaviti da svijetli iako je posuda za so dopunjena.
- Ukoliko uređaj na kontrolnoj tabli nema lampicu upozorenja za količinu soli (kod nekih modela), na osnovu broja ciklusa mašine možete procijeniti kada ćete staviti so u omekšivač.
- Ukoliko je došlo do prosipanja soli, uključite program natapanja ili neki od kraćih programa kako biste je uklonili.

## Savjeti za upotrebu korpi

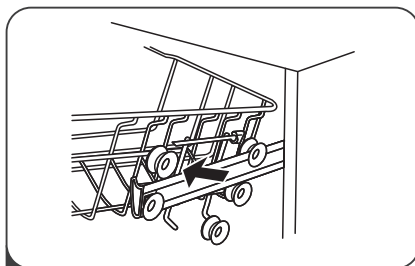
### Podešavanje gornje korpe

#### Tip 1:

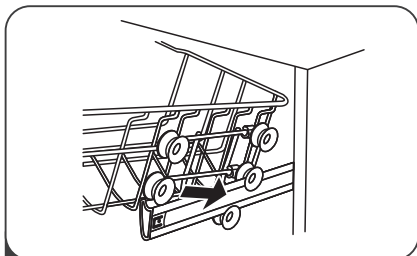
Visina gornje korpe se može lako podesiti tako da visoko posude možete smjestiti bilo u gornju ili u donju korpu. Da podesite visinu gornje police, pratite sljedeće korake:



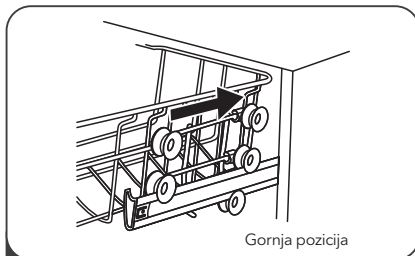
1 Izvucite gornju korpu.



2 Uklonite gornju korpu.

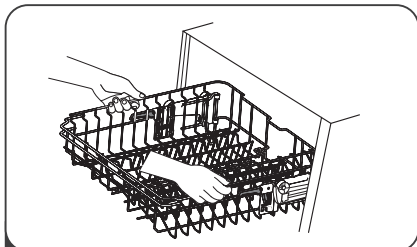


3 Ponovo postavite gornju korpu pomoću gornjih ili donjih točkića.

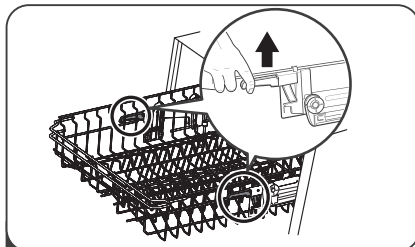


4 Gurnite gornju korpu u mašinu.

#### Tip 2:



1 Da podignete policu u gornju poziciju; podižite je sve dok obje strane ne budu na istoj visini. Polica će biti pričvršćena. Nije potrebno da podižete ručku za podešavanje.



2 Da spustite policu, podignite dršku za prilagošavanje sa svake strane, kako bi se korpa spustila ka dole.

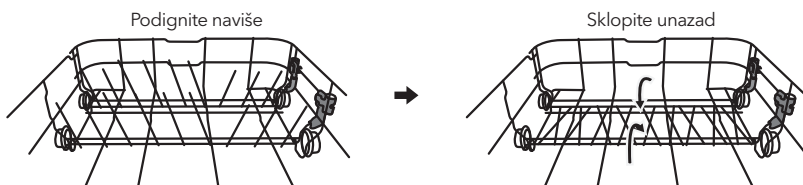
### Sklapanje polica za šolje

Da u korpi mašine za pranje posuđa napravite više prostora za visoko posuđe, podignite policu za šolje ka naviše. Na taj način, uz nju možete prisloniti visoke čaše. Možete je i skinuti ukoliko Vam nije potrebna.



### Sklapanje polica sa šiljcima

Šiljci se koriste za pridržavanje tanjira i ovala. Mogu se spustiti kako bi se napravilo više prostora za veće posuđe.



## ODRŽAVANJE I ČIŠĆENJE

### Održavanje spoljašnosti uređaja

#### Vrata i zaptivka za vrata

Zaptivke za vrata redovno čistite mekom, vlažnom krpom kako biste uklonili naslage hrane.

Prilikom raspoređivanja posuđa u mašini za pranje posuđa, ostaci hrane i pića mogu kapati po bočnim stranama vrata mašine za pranje posuđa. Ove površine se nalaze izvan prostora za pranje i voda iz ručica prskalice ih ne može dohvatiti. Prije nego što zatvorite vrata, obrišite eventualne naslage.

#### Kontrolna tabla

Ukoliko je kontrolnu tablu potrebno očistiti, brišite je ISKLJUČIVO mekom, vlažnom krpom.

#### UPOZORENJE!

- Da biste izbjegli prodiranje vode u bravu vrata i u električne komponente, nemojte koristiti nikakva sredstva za čišćenje u spreju.
- Nikada ne upotrebljavajte abrazivna sredstva za čišćenje ili abrazivne spužve prilikom čišćenja spoljašnjih površina, jer tako možete izgubiti završni sloj. Neki papirni ubrusi takođe mogu izgubiti površinu ili ostaviti tragove na njoj.

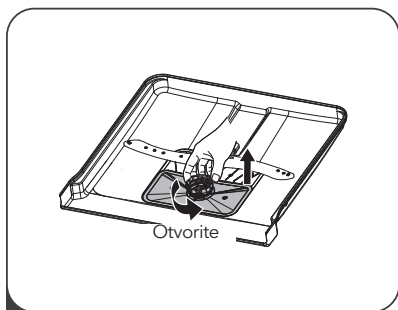
### Održavanje unutrašnjosti uređaja

#### Sistem za filtriranje

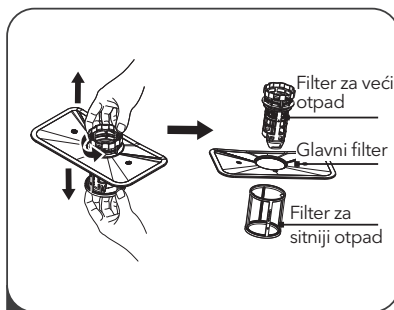
Sistem filtracije, koji se nalazi u donjem dijelu prostora za pranje, zadržava više otpada nastalog tokom ciklusa pranja. Sakupljeni veći otpad može dovesti do začepljenja filtera. Redovito provjeravajte filtere i po potrebi ih čistite pod mlazom vode. Za čišćenje filtera u području za pranje slijedite donje korake.

#### NAPOMENA

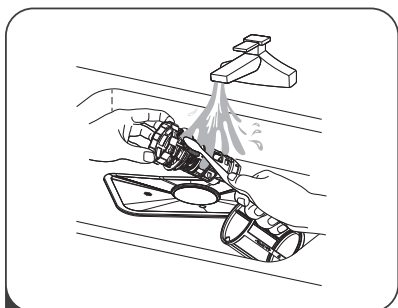
Slike su date isključivo u ilustrativne svrhe. Kod različitih modela, sistemi za filtriranje i ručice prskalice se mogu razlikovati.



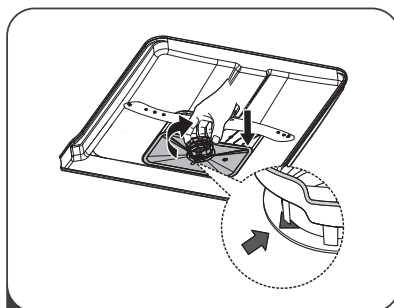
- 1** Uхватite filter za veći otpad i okrenite ga u smjeru suprotnom od smera kazaljke na satu kako biste ga otključali. Podignite filter naviše i izvucite ga iz mašine za pranje posuđa.



- 2** Filter za sitniji otpad se može izvuci sa dna montažnog dijela za filter.  
Filter za veći otpad se može odvojiti od glavnog filtera laganim pritiskanjem jezičaka na vrhu i izvlačenjem.



- 3** Veći ostaci hrane se mogu očistiti ispiranjem filtera pod mlazom vode.  
Za temeljnije čišćenje, koristite mekanu četku za čišćenje.



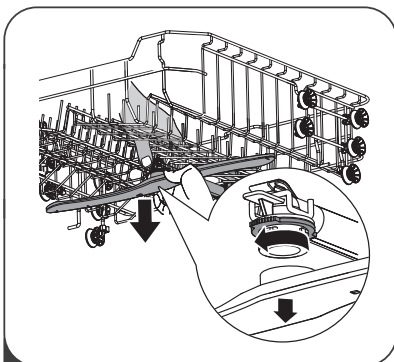
- 4** Filtere ponovo postavite obrnutim redoslijedom u odnosu na redosljed kojim ste ih rasklapali, ponovo postavite uložak filtera i okrenite ga u smjeru kazaljke na satu, sve do strelice.

### ⚠ UPOZORENJE!

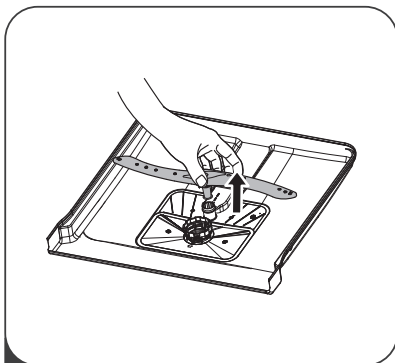
- Nemojte prejako pričvršćivati filtere. Vratite filtere određenim redoslijedom i dobro ih pričvrstite. U suprotnom, veći komadi otpada bi mogli ući u sistem i izazvati začepljenje.
- NIKADA ne upotrebljavajte mašinu za pranje posuđa ako filteri nisu na odgovarajući način postavljeni. Nepravilno postavljanje filtera može smanjiti nivo radnog učinka uređaja i oštetiti posude i pribor.

### Ručice prskalice

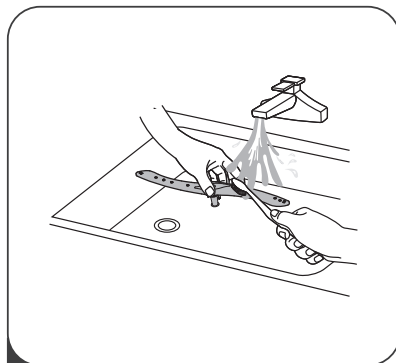
Ručice prskalice je neophodno redovno čistiti, jer će, u suprotnom, sadržaj iz tvrde vode začepiti mlaznice i blokirati ležajeve ručica prskalice. Za čišćenje ručica prskalice, pratite sljedeća uputstva:



- 1** Da biste skinuli ručicu gornje prskalice, pritisnite centralni zavrtnaj tako da se ne kreće, a zatim zarotirajte ručicu prskalice u smjeru suprotnom od smera kazaljke na satu.



**2** Da biste skinuli ručicu donje prskalice, povucite ručicu prskalice uvis.



**3** Ručice operite u toploj vodi sa sapunicom, a za čišćenje mlaznica upotrebite mekanu četku. Nakon temeljnog ispiranja, ponovo ih postavite u uređaj.

## Briga o mašini za pranje posuđa

### Mere zaštite od zamrzavanja

Tokom zime, preduzmite sve mjere da zaštitite mašinu za pranje posuđa od zamrzavanja. Nakon svakog ciklusa pranja, obavite sljedeće:

1. Izvucite utikač mašine za pranje posuđa iz utičnice.
2. Isključite dovod vode i skinite dovodnu cijev za vodu sa ventila za vodu.
3. Istočite vodu iz dovodne cijevi i iz ventila za vodu. (Za prikupljanje vode, upotrebite dublju široku posudu)
4. Ponovo povežite dovodnu cijev za vodu sa ventilom za vodu.
5. Skinite filter sa dna prostora za pranje i spužvom pokupite vodu iz slivnika.

### Nakon svakog pranja

Nakon svakog pranja isključite dovod vode do uređaja i ostavite vrata djelimično otvorena kako se vlaga i mirisi ne bi zadržavali u uređaju.

### Izvucite utikač iz utičnice

Prije svakog čišćenja ili postupka održavanja izvucite utikač iz utičnice.

### Ne upotrebljavajte rastvarače ili abrazivna sredstva za čišćenje

Ne upotrebljavajte rastvarače ili abrazivne proizvode prilikom čišćenja spoljašnjeg dijela i gumenih elemenata uređaja. Upotrebljavajte isključivo krpu natopljenu toplom vodom sa sapunicom.

Za uklanjanje fleka ili mrlja sa unutrašnjih površina uređaja koristite krpu navlaženu vodom sa malo sirćeta ili specijalizovan proizvod za čišćenje mašina za pranje posuđa.

### Kada se uređaj ne upotrebljava tokom dužeg vremenskog perioda

Preporučuje se da praznu mašinu za pranje posuđa uključite da radi jedan ciklus, a zatim da izvučete utikač iz utičnice, isključite dovod vode i ostavite vrata uređaja djelimično otvorena. Ovim postupkom ćete produžiti životni vek zaptivkama na vratima i spriječiti stvaranje neprijatnih mirisa unutar uređaja.

### Transport uređaja

Ukoliko je neophodno premjestiti uređaj, pokušajte da ga tokom tog procesa držite u uspravnom položaju. Samo ako je to zaista neophodno, uređaj položite na njegov zadnji dio.

### Zaptivke

Jedan od razloga nastajanja neprijatnog mirisa u mašini za pranje posuđa jeste hrana, koja je ostala zaglavljena u zaptivkama. Povremeno čišćenje vlažnim spužvom će ovo spriječiti.



# UPUTSTVA ZA POSTAVLJANJE

## ⚠ UPOZORENJE!



### Opasnost od strujnog udara

Prije postavljanja mašine za pranje posuda, prekinite dovod struje. Ukoliko to ne učinite, možete izazvati nečiju smrt ili nekoga

## ! PAŽNJA

Postavljanje cijevi i električne opreme treba da obavi profesionalno lice.

## O električnom povezivanju

### ⚠ UPOZORENJE!

Radi lične bezbednosti:

- Za povezivanje ovog uređaja sa strujom ne upotrebljavajte produžne kablove ili adaptere.
- Nemojte ni pod kojim okolnostima sjeći ili skidati vezu za uzemljenje sa priključnog kabla.

### Zahtevi u vezi sa električnom opremom

Pogledajte pločicu sa nominalnim podacima kako biste znali koji nominalni napon Vaša mašina za pranje posuda koristi i kako biste je priključili na odgovarajuću utičnicu. Koristite preporučeni osigurač sa zahtjevanim naponom od 10A/13A/16A, vremenski osigurač ili prekidač i obezbjedite zasebno strujno kolo namjenjeno isključivo ovom uređaju.

### Povezivanje na struju

Pobrinite se da napon i frekvencija struje odgovaraju vrijednostima navedenim na pločici sa nominalnim podacima. Povežite utikač isključivo sa utičnicom koja je pravilno uzemljena. Ukoliko utičnica na koju morate priključiti uređaj ne odgovara utikaču, zamijenite utičnicu. Nemojte upotrebljavati adaptere i sličnu opremu, jer mogu dovesti do pregrevanja i izazvati opekotine.

⚠ **Prije upotrebe se pobrinite da postoji odgovarajuće uzemljenje.**

## Dovod i odvod vode

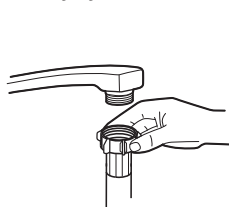
### Povezivanje sa hladnom vodom

Povežite dovodno crijevo za hladnu vodu na konektor od 3/4 (cola) sa navojima i pobrinite se da je ono dobro pričvršćeno.

Ukoliko su cijevi za vodu nove ili ako nisu upotrebljavane tokom dužeg vremenskog perioda, propustite kroz njih vodu i provjerite da li je voda čista. Ovu mjeru predostrožnosti je neophodno obaviti kako bi se izbjegao rizik od blokiranja protoka vode na ulazu i oštećenja uređaja.

### O sigurnosnom dovodnom crijevu

Sigurnosno dovodno crijevo se sastoji od duplih zidova. Sistem na ovom crijevu pruža garanciju da će ono blokirati protok vode u slučaju pucanja dovodnog crijeva i onda kada se prostor između samog dovodnog crijeva i spoljašnjeg rebrastog crijeva, koji je ispunjen vazduhom, napuni vodom.



Obično dovodno  
crijevo



Sigurnosno dovodno  
crijevo

## ⚠ UPOZORENJE!

Crijevo povezano sa tušem za sudoper može da pukne ukoliko je postavljeno na isti dovod vode kao i mašina za pranje posuda. Ukoliko takvo crijevo imate u svom sudoperu, preporučuje se da ga skinete i zatvorite otvor.

### Kako da povežete sigurnosno dovodno crijevo

1. Potpuno izvadite sigurnosna dovodna crijeva iz skladišnog prostora na zadnjem dijelu mašine za pranje posuda.
2. Pričvrstite zavrtnje sigurnosnog dovodnog crijeva na slavinu od 3/4 cola sa navojima.
3. Prije nego što mašinu za pranje posuda pustite u rad, potpuno odvrnite vodu.

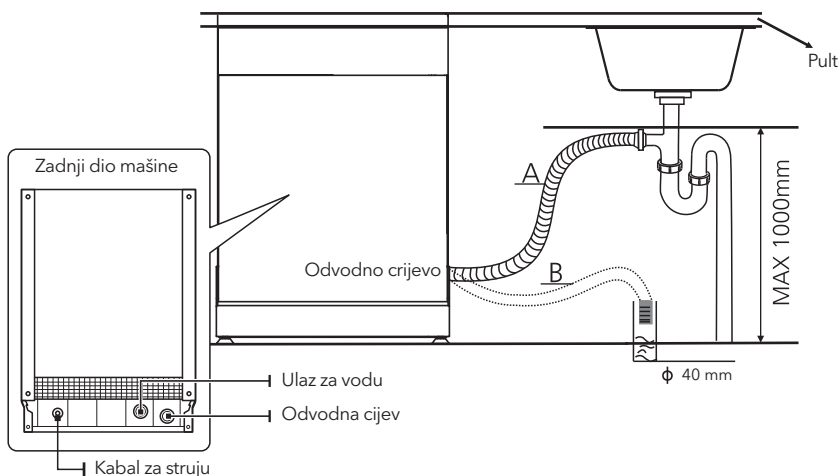
### Kako da skinete sigurnosno dovodno crijevo

1. Isključite dovod vode.
2. Odšarafite sigurnosno dovodno crijevo sa slavine.

## Povezivanje odvodnih crijeva

Ubacite odvodno crijevo u odvodnu cijev minimalnog prečnika od 4 cm ili ga ostavite da ističe u slivnik, vodeći pritom računa da ga ne savijate i ne prelamate. Odvodna cijev mora biti locirana na visini manjoj od 1000 mm. Slobodni dio crijeva se ne smije uranjati u vodu kako bi se izbjeglo vraćanje vode.

**⚠ Dobro pričvrstite odvodno crijevo i u slučaju pozicije A i u slučaju pozicije B.**



### Kako da isпустite višak vode iz crijeva

Ako je odvod na visini većoj od 1000 mm od poda, višak vode u crijevima neće se moći ispuštiti izravno u odvod. Neophodno je da višak vode iz crijeva ispuštite u neku činiju ili odgovarajuće posuđe koji ćete držati izvan slivnika i na nižem nivou od njega.

### Odvod vode

Povežite odvodno crijevo za vodu. Odvodno crijevo mora biti pravilno povezano kako bi se izbjeglo curenje vode. Pobrinite se da odvodno crijevo za vodu nije prelomljeno ili pritisnuto.

### Produžno crijevo

Ukoliko vam je potrebno produžno odvodno crijevo, pobrinite se da bude slično onome na koje ga nastavljate. Ne smije biti duže od 4 metra; u suprotnom, efekat čišćenja mašine za pranje posuda će biti umanjen.

### Povezivanje sifona

Veza sa kanalizacijom mora biti na visini manjoj od 100 cm (maksimalno) od dna mašine za pranje posuda. Odvodno crijevo za vodu je potrebno fiksirati.

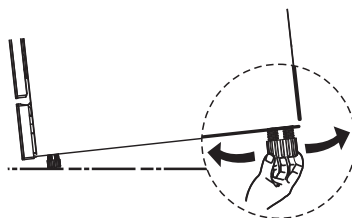
## Pozicioniranje uređaja

Postavite uređaj na željeno mjesto. Zadnji dio uređaja treba da se naslanja na zid iza njega, a bočne strane treba da budu poravnate sa okolnim kuhinjskim elementima ili zidovima. Mašina za pranje posuda je opremljena dovodnim i odvodnim crijevima za vodu koja se mogu postaviti bilo sa desne ili lijeve strane, čime se olakšava pravilno postavljanje.

### Nivelisanje uređaja

Kada je uređaj postavljen za nivelisanje, visinu mašine za pranje posuda možete promijeniti podešavanjem visine šarafa na nožicama.

Ni u kom slučaju, uređaj ne smije biti nagnut više od 2°.



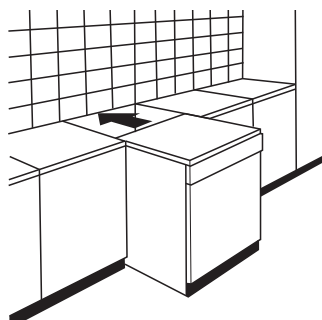
### NAPOMENA

Primjenjuje se isključivo na samostojeće mašine za pranje posuda.

## Postavljanje samostojećeg uređaja

### Postavljanje između postojećih kuhinjskih elemenata

Visina mašine za pranje posuda, koja iznosi 845 mm, dizajnirana je tako da omogući njeno postavljanje između postojećih kuhinjskih elemenata, koji u modernim kuhinjama rađenim po meri imaju pomenutu visinu. Nožice se mogu podesiti tako da se dostigne odgovarajuća visina. Laminirani gornji dio mašine ne zahteva posebno održavanje, jer je otporan na toplotu, ogrebotine i fleke.



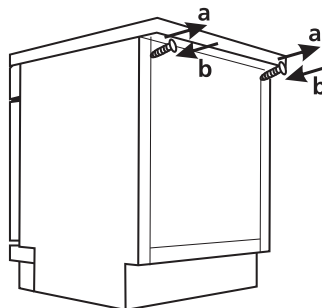
### Ispod postojeće radne površine

(kada se uređaj postavlja ispod radne površine)

Većina modernih kuhinja rađenih po meri ima samo jednu jedinstvenu radnu površinu, ispod koje se postavljaju kuhinjski elementi i električni uređaji. U ovom slučaju, skinite radnu površinu mašine za pranje posuda tako što ćete odšarafiti zavrtnje koji se nalaze na zadnjoj ivici gornje površine (a).

### PAŽNJA

Nakon skidanja gornje radne površine, zavrtnje MORATE ponovo pričvrstiti na dio ispod zadnje ivice gornje površine (b). Visina uređaja će se tako smanjiti na 815 mm, kako je navedeno u Međunarodnim uredbama (ISO), a mašina za pranje posuda će se savršeno uklopiti pod kuhinjsku radnu površinu.



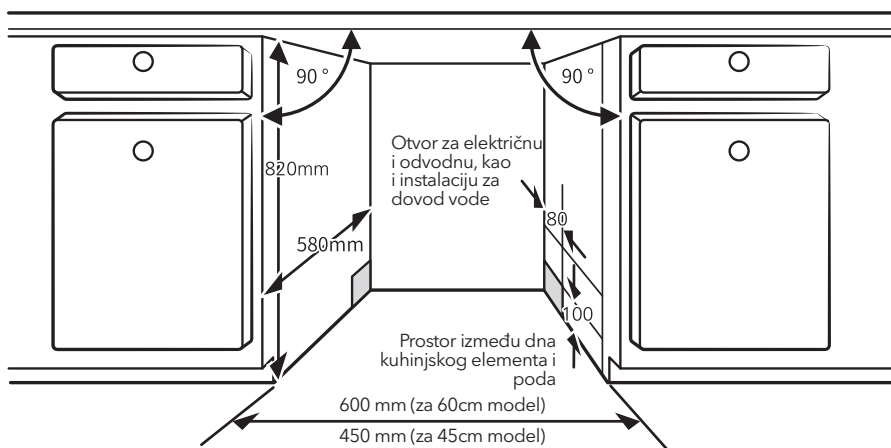
## Postavljanje ugradbenog uređaja (kod integrisanog modela)

### Korak 1. Izbor najbolje lokacije za mašinu za pranje posuda

Mašina za pranje posuda treba da bude postavljena u blizini postojećih dovodnih i odvodnih crijeva i priključnog kabela.

Ilustracija dimenzija kuhinjskih elemenata i mjesta postavljanja mašine za pranje posuda.

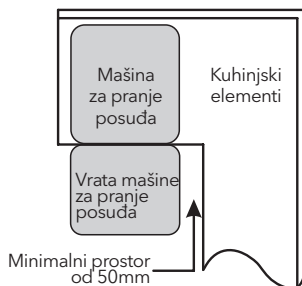
1. Manje od 5 mm između gornje površine mašine za pranje posuda i kuhinjskog elementa, kao i spoljnih vrata u ravni sa kuhinjskim elementom.



2. Ako mašinu za pranje posuda postavljate u krajnji ugao u odnosu na kuhinjske elemente, potrebno je da ostavite dovoljno mjesta za otvaranje vrata.

#### NAPOMENA

Zavisno od toga gde se nalazi otvor za električne instalacije, možda ćete morati da prosečete otvor na suprotnoj strani kuhinjskog elementa.



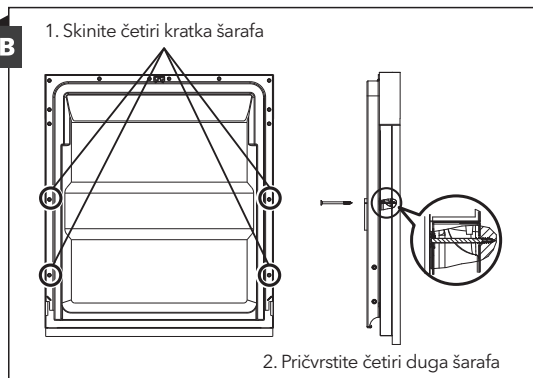
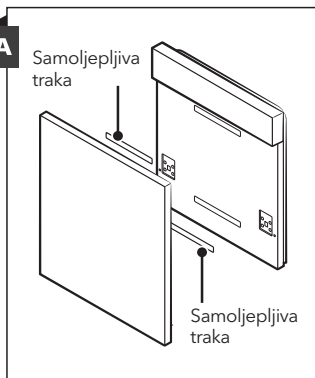
### Korak 2. Dimenzije i postavljanje ukrasne table

#### NAPOMENA

Ukrasnu drvenu tablu biste mogli napraviti na osnovu crteža koji se odnose na postavljanje uređaja.

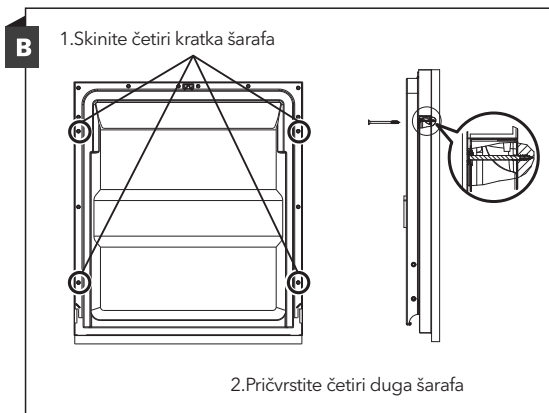
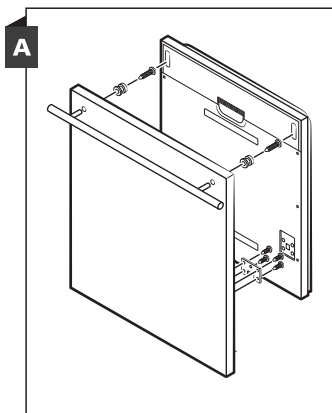
### Poluintegrirani model

Odlepite samolepljivu traku A sa samolepljive trake B, a zatim zalepите samolepljivu traku A na drvenu prednju ploču i samolepljivu traku od filca B sa spoljne strane vrata mašine za pranje sudova (pogledajte sliku A). Nakon što pozicionirate tablu, pričvrstite je za spoljašnju stranu vrata pomoću šarafa i zavrtnja (pogledajte sliku B).



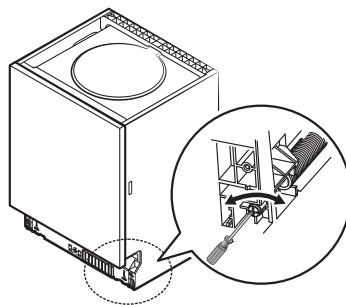
### Potpuno integrisani model

Pričvrstite nosač na ukrasnu drvenu tablu i postavite ga u otvor koji se nalazi na spoljašnjoj strani vrata mašine za pranje posuđa (pogledajte sliku A). Nakon pozicioniranja table, pričvrstite je za spoljašnju stranu vrata pomoću šarafa i zavrtnja (pogledajte sliku B).



### Korak 3. Podešavanje zategnutosti opruge na vratima

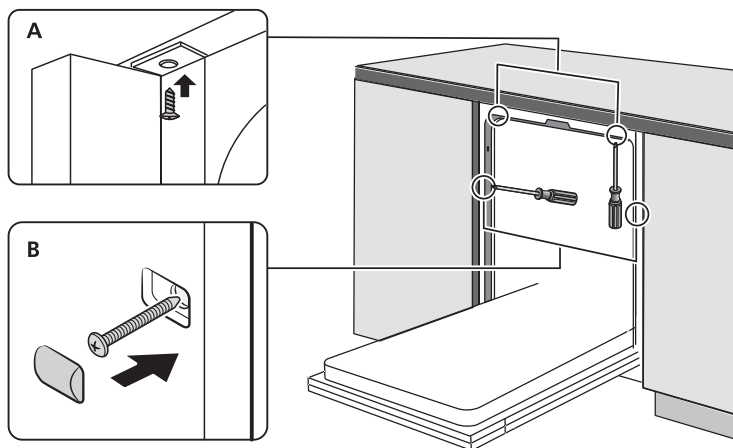
1. Zategnutost opruga na spoljašnjim vratima je fabrički pravilno podešena. Ukoliko postavljate ukrasne drvene table, morate podesiti zategnutost opruge na vratima. Okrećite šaraf za podešavanje kako biste regulator dodatno zategli ili kako biste opustili čeličnu sajlju.
2. Zategnutost opruge na vratima je pravilno podešena ako vrata ostaju u horizontalnom položaju kada su potpuno otvorena i ako se u zatvoreni položaj vraćaju podizanjem prstom uz najmanji napor.



### Korak 4. Koraci za postavljanje mašine za pranje posuđa

**NAPOMENA** Pogledajte navedene korake za postavljanje uređaja na crtežima za postavljanje.

1. Ispod radne površine kuhinjskih elemenata pričvrstite bandaž traku. Pobrinite se da bandaž traka dobro naliježe na ivicu radne površine. (Korak 2)
2. Povežite ulazno crijevo sa dovodom hladne vode.
3. Povežite odvodno crijevo.
4. Povežite priključni kabal.
5. Postavite mašinu za pranje posuđa na za nju predviđeno mjesto. (Korak 4)
6. Iznivelišite mašinu za pranje posuđa. Zadnja nožica se može podešavati sa prednje strane mašine za pranje posuđa okretanjem krstastog šarafa koji se nalazi u sredini dna mašine za pranje posuđa i koristite krstati šrafciğer. Da podesite prednje nožice, upotrebite ravni odvijač i okrećite prednje nožice sve dok ne iznivelišete mašinu za pranje posuđa. (Korak 5 i Korak 6)
7. Postavite ukrasna vrata na spoljnu stranu vrata mašine za pranje posuđa. (Koraci 7 do 10)
8. Podesite zategnutost opruga na vratima pomoću imbus ključa koji ćete okretati u smjeru kretanja kazaljke na satu, čime ćete zategnuti i lijevu i desnu oprugu. Ukoliko to ne učinite, možete oštetiti svoju mašinu za pranje posuđa. (Korak 11)
9. Mašina za pranje posuđa mora biti dobro pričvršćena. Ovo se može učiniti na dva načina:
  - A. Normalna radna površina: Postavite nosač za pričvršćivanje u otvor na bočnom dijelu i pričvrstite ga za radnu površinu šrafovim za drvo.
  - B. Mermerna ili granitna radna površina: Pričvrstite šarafom sa bočne strane.

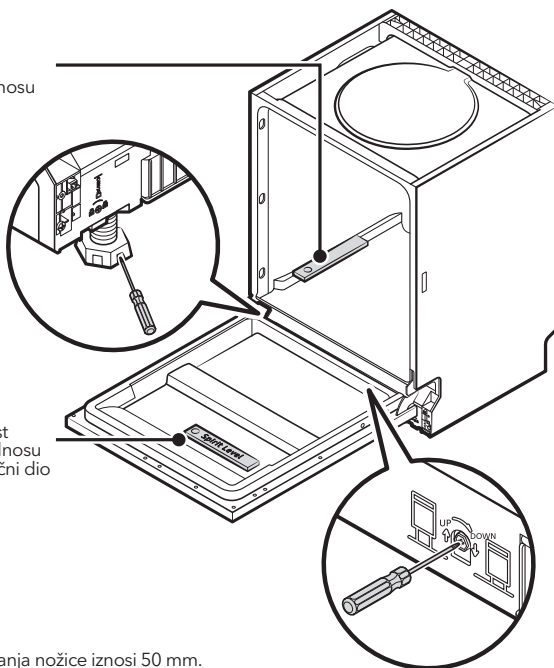


### Korak 5. Nivelisanje mašine za pranje posuđa

Mašina za pranje posuđa mora biti iznivelisana radi pravilne upotrebe police za posuđe i boljeg učinka prilikom pranja.

1. Postavite libelu na vrata i na šinu police unutar prostora za pranje na način prikazan na slici kako biste proverili da li je mašina za pranje posuđa iznivelisana.
2. Iznivelišite mašinu za pranje posuđa tako što ćete zasebno podesiti svaku od tri nožice za nivelisanje.
3. Prilikom nivelisanja mašine za pranje posuđa, povedite računa da se mašina za pranje posuđa ne prevrne.

Provjerite iznivelisanost prednjeg u odnosu na zadnji dio



Provjerite iznivelisanost jednog u odnosu na drugi bočni dio

### NAPOMENA

Maksimalna visina podešavanja nožice iznosi 50 mm.

# SAVJETI ZA OTKLANJANJE KVAROVA

## Prije nego što pozovete servis

Pročitajte informacije prikazane na stranim koje slijede jer na taj način možete izbjeći pozivanje servisa.

Problem	Mogući uzroci	Šta uraditi
Mašina za pranje posuđa ne počinje da radi	Osigurač je pregorio ili je prekidač prekinuo strujno kolo.	Zamjenite osigurač ili ponovo uključite prekidač. Isključite sve uređaje koji koriste isto strujno kolo kao i mašina za pranje posuđa.
	Napajanje nije uključeno.	Pobrinite se da je mašina za pranje posuđa uključena i da su vrata dobro zatvorena. Pobrinite se da je priključni kabal pravilno priključen u utičnicu.
	Pritisak vode je nizak.	Provjerite da li je mašina pravilno povezana na dovod vode i da li je voda puštena.
	Vrata mašine za pranje posuđa nisu pravilno zatvorena.	Pobrinite se da su vrata pravilno zatvorena i da su se zaključala.
Mašina za pranje posuđa ne izbacuje vodu	Odvodno crijevo je presavijeno ili pritisnuto.	Provjerite odvodno crijevo.
	Filter je začepljen.	Provjerite ima li na filteru većeg otpada.
	Sudoper je začepljen.	Provjerite sudoper kako biste se uverili da dobro odvodi vodu. Ukoliko je problem izazvao sudoper koji ne odvodi vodu, verovatno će Vam vodoinstalater biti potrebniji od servisera mašina za pranje posuđa.
Sapunica u prostoru za pranje	Neodgovarajući deterdžent.	Upotrebljavajte isključivo specijalni deterdžent za mašinsko pranje posuđa kako biste izbjegli stvaranje sapunice. Ukoliko se ovo dogodi, otvorite mašinu za pranje posuđa i sačekajte da sapunica ispari. Prospite otprilike 1 litar hladne vode na dno mašine. Zatvorite vrata mašine, a zatim izaberite bilo koji ciklus pranja. Mašina će, na početku, ispustiti vodu. Po završetku faze ispuštanja vode, otvorite vrata i provjerite da li ima još sapunice. Po potrebi ponovite ovaj postupak.
	Sredstvo za ispiranje se prosulo.	Uvijek i odmah obrišite sredstvo za ispiranje ukoliko se prospe.
Fleke po unutrašnjem dijelu prostora za pranje	Možda je upotrebljavan deterdžent koji sadrži sredstvo za bojenje.	Uvjerite se da deterdžent ne sadrži sredstvo za bojenje.
Bijeli film po unutrašnjim površinama prostora za pranje	Minerali tvrde vode.	Za čišćenje unutrašnjosti koristite vlažnu spužvu koja sadrži deterdžent za mašinsko pranje posuđa. Nosite gumene rukavice. Nikada ne koristite druga sredstva za čišćenje jer može doći do stvaranja pjene ili sapunice.
Na priboru za jelo se javljaju mrlje od rđe	Pribor za jelo je napravljen od materijala koji nisu otporni na rđu.	Izbjegavajte da u mašini za pranje posuđa perete posude koje nije otporno na rđu.
	Mašinu niste pustili u rad odmah po dodavanju soli. Tragovi soli su dospeli u ciklus pranja.	Po dodavanju soli, uvijek uključite neki od programa pranja bez posuđa u mašini. Ne uključujte opciju Turbo (ukoliko je mašina ima).
	The lid of the softer is loose.	Provjerite da li je poklopac omeksičavač bezbedno postavljen.

Problem	Mogući uzroci	Šta uraditi
U mašini za pranje posuđa se čuje udaranje	Ručica prskalice udara o neku posudu u korpi	Prekinite program i ponovo rasporedite posude koje blokira ručicu prskalice.
U mašini za pranje posuđa se čuje zveckanje	Lomljivo posuđe u mašini za pranje posuđa nije raspoređeno tako da stoji stabilno.	Prekinite program i ponovo rasporedite lomljivo posuđe.
U cevima za vodu se čuje udaranje	Razlog ovome može biti postavljanje na samom mjestu ili ukrštanje cjevovoda.	Ovo ni na koji način ne utiče na rad mašine za pranje posuđa. Ukoliko imate bilo kakvih nedoumica, kontaktirajte kvalifikovanog vodoinstalatera.
Posuđe nije čisto	Posuđe nije pravilno raspoređeno.	Pogledajte napomene DIJELU II „Priprema i raspoređivanje posuđa u mašini za pranje posuđa“.
	Program nije dovoljno snažan.	Uključite intenzivniji program.
	Nije stavljeno dovoljno deterdženta.	Stavite više deterdženta ili promenite deterdžent.
	Posuđe blokira kretanje ručica prskalice.	Ponovo rasporedite posuđe tako da prskalice mogu da se neometano okreću.
	Komplet filtera je zaprljan ili nije pravilno postavljen na dno prostora za pranje u mašini. Na ovaj način mogu se za blokirati mlaznice na ručicama prskalice.	Očistite i/ili pravilno postavite filter. Očistite mlaznice na ručicama prskalice.
Posuđe od stakla je mutno.	Kombinacija meke vode i prevelike količine deterdženta.	Ukoliko je voda koju koristite meka, upotrebljavajte manje deterdženta i koristite kraće cikluse za pranje staklenog posuđa.
Na posudu i čašama se javljaju bele mrlje.	Upotreba tvrde vode može da izazove formiranje naslaga kamenca.	Provjerite postavke omekšivača vode ili napunite spremnik soli.
Na posudu se javljaju crne ili sive mrlje	Posuđe je bilo u snažnijem kontaktu sa priborom od aluminijuma.	Za uklanjanje pomenutih mrlja, koristite blago abrazivno sredstvo za čišćenje.
U posudi za deterdžent je ostao deterdžent	Posuđe blokira otvaranje posude za deterdžent.	Ponovo rasporedite posude na odgovarajući način.
Posuđe se ne suši	Posuđe nije pravilno raspoređeno.	Rasporedite posude na način prikazan u uputstvu. Kako biste izbjegli iritaciju kože, pošto se na posudu mogu naći ostaci deterdženta, koristite rukavice.
	Posuđe je prebrzo izvađeno iz mašine.	Nemojte vaditi posuđe iz mašine za pranje posuđa odmah po završetku ciklusa pranja. Malo otvorite vrata kako biste isпустили paru. Izvucite posuđe tak kada se temperatura unutar prostora za pranje dovoljno spusti da možete da dodirujete predmete. Najprije izvadite posuđe sa donje korpe, kako voda sa gornje korpe ne bi kapala po donjoj.
Posuđe se ne suši	Uključili ste pogrešan program.	Kod kraćih programa, temperatura pranja je niža, što umanjuje učinak pranja. Izaberite program koji ima dugi period pranja.
	Upotreba pribora za jelo sa nekvatetnim završnim slojem.	Postupak ocedivanje vode je teži kod ovakvog posuđa. Pribor za jelo ili posuđe ovog tipa nisu pogodni za pranje u mašini za pranje posuđa.



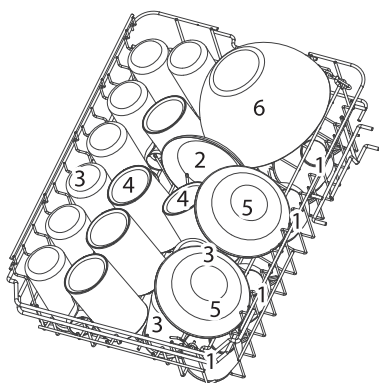
**UPOZORENJE!**

Popravljanje uređaja od strane nestručnog lica može dovesti do ugrožavanja bezbednosti korisnika uređaja. Takođe, može uticati na promenu uslova garancije.

## RASPOREĐIVANJE POSUĐA U KORPAMA U SKLADU SA STANDARDOM EN60436

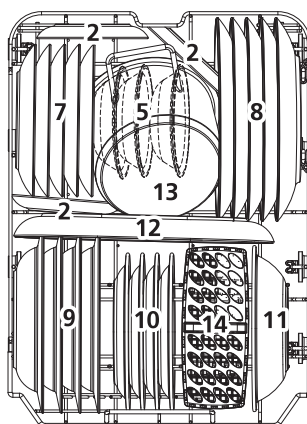
Korišćenje punog kapaciteta perilice posuđa pri punjenju doprinosi uštedi energije i vode.

### 1. Gornja korpa:



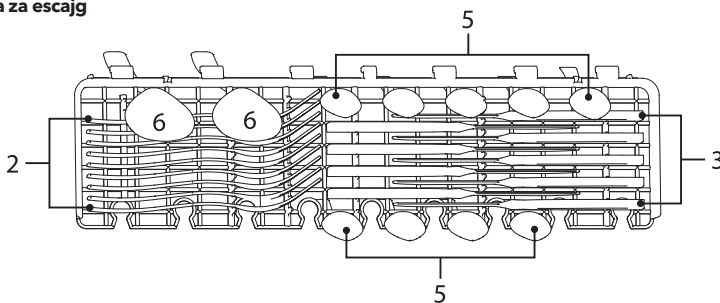
Broj	Stavka
1	Šolje
2	Tacne
3	Čaše
4	Krigle
5	Posude za desert
6	Staklena posuda

### 2. Donja korpa:



Broj	Stavka
7	Tanjiri za desert
8	Tanjiri za jelo
9	Tanjiri za supu
10	Tanjiri za desert od melamina
11	Posuda od melamina
12	Oval
13	Mali lonac
14	Korpa za escajg

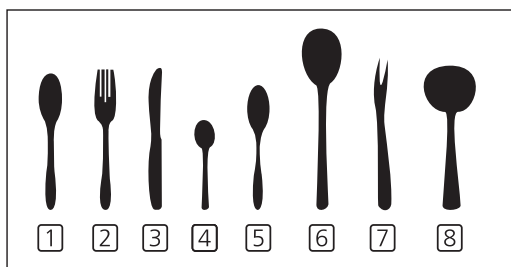
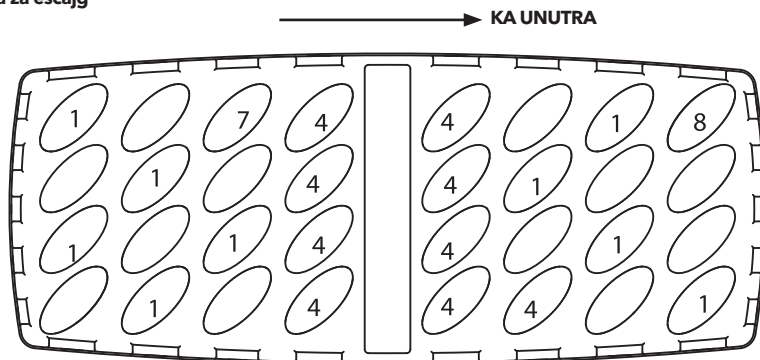
### 3. Polica za escajg



#### NAPOMENA!

Lagane, ravne komade escajga stavite na policu. Ukupna težina mora biti manja od 1,5 kg.

### 4. Korpa za escajg



Broj

Stavka

1 Supene kašike

2 Vlijuške

3 Noževi

4 Kafene kašičice

5 Kašičice za dezert

6 Kašike za serviranje

7 Vlijuške za serviranje

8 Kutlače za sos

Informacije u vezi sa uporednim testovima

u skladu sa standardom EN60436

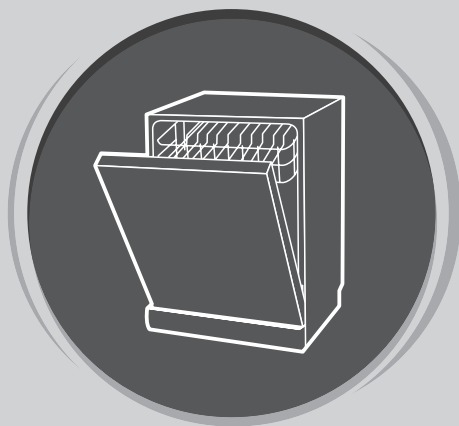
Kapacitet: 9 kompleta

Pozicija gornje korpe: niža pozicija

Program: ECO (EKOLOŠKI)

Podešavanje za sredstvo za ispiranje: MAX (MAKSIMALNO)

Podešavanje za omekšivač: H3



# MAŠINA ZA PRANJE POSUĐA

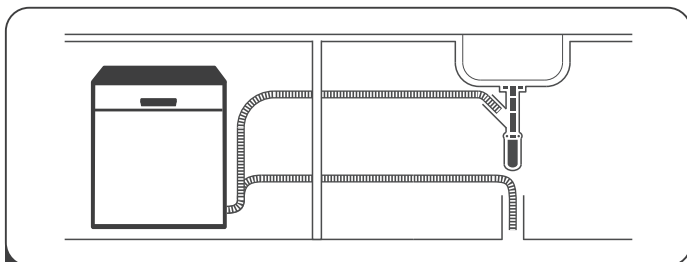
Uputstvo  
za upotrebu

**DIO II: UPUTSTVO ZA  
ODREĐENI MODEL  
WDI461M**

Prije upotrebe mašine za pranje posuda, pažljivo pročitajte ovo uputstvo i sačuvajte ga za buduću upotrebu.

# KRATKO KORISNIČKO UPUTSTVO

Za detaljnije informacije o načinu rukovanja, pročitajte odgovarajući sadržaj u uputstvu za upotrebu.

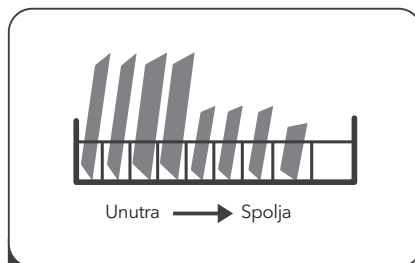


**1** Postavite mašinu za pranje posuđa

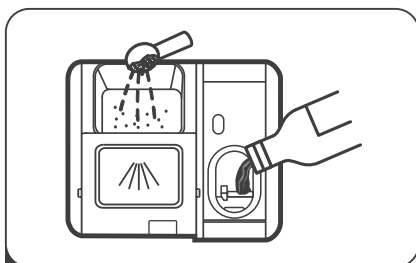
(Pogledajte odjeljak 5 „UPUTSTVA ZA POSTAVLJANJE“ u okviru DIJELA I: Uopšteno uputstvo.)



**2** Uklonite veće ostatke sa posuđa. Izbegavajte prethodno ispiranje.



**3** Rasporedite posude u korpe.



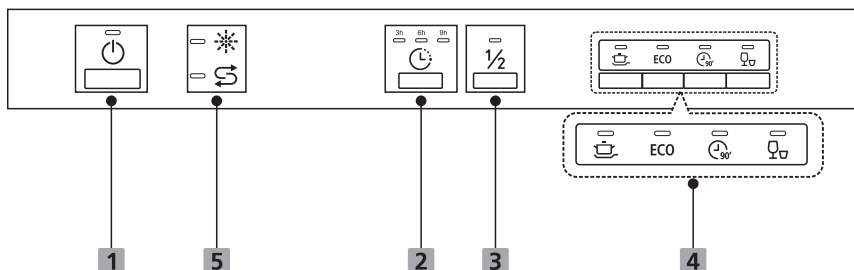
**4** Napunite posudu za deterđent / sredstvo za ispiranje.



**5** Izaberite odgovarajući program i upalite mašinu za sudove.

# UPOTREBA VAŠE MAŠINE ZA PRANJE SUDOVA

## Kontrolna tabla



### Opcija (taster)

**1** Uključivanje Pritisnite ovo dugme, da biste uključili svoju mašinu; kontrolna tabla će zasvijetliti.

**2** Odloženi početak Pritisnite dugme, kako biste odložili vreme početka rada uređaja.

**3** Polovina kapaciteta Ukoliko imate otprilike polovinu ukupnog broja kompleta posuđa za pranje ili manje od toga, možete odabrati ovu funkciju radi uštede energije i vode. (Ova funkcija se može koristiti samo u okviru režima Intenzivno, ECO (Ekološki), 90 min)

Izaberite odgovarajući program pranja, na indikatoru izabranog programa uključice se svjetlo.

**4** Program



#### Intenzivno

Za veoma zaprljano posuđe, kao što su šerpe i tiganji. Sa zakorijelom hranom.

**ECO**

#### ECO

Ovo je standardni program podešen za normalno zaprljano stono posuđe, kao što su tiganji, tanjiri i čašbe i za manje zaprljane tiganje.



#### 90 min

Za normalno zaprljano posuđe koje treba brzo oprati.

**4** Program indikator



#### Ubrzano

Kraći program pranja za blago zaprljano posuđe koje ne treba da se suši.

### Ekran

**5** Upozorenje indikator



#### Sredstvo za ispiranje

Ukoliko je uključena ikonica indikatora "☀️", u mašini za pranje posuđa nema dovoljno sredstva za ispiranje i potrebno ga je dopuniti.



#### So

Ukoliko je uključena ikonica indikatora "🌀", u mašini za pranje posuđa nema dovoljno soli i potrebno je dopuniti.

## Omekšivač vode

Omekšivač vode se mora ručno podesiti pomoću brojčanika za tvrdoću vode.

Omekšivač vode je napravljen da iz vode ukloni minerale i soli, koji bi inače imali štetno ili nepovoljno dejstvo po rad uređaja.

Što je veći sadržaj minerala u vodi koju koristite, to je ona tvrđa.

Količinu omekšivača treba podesiti prema tvrdoći vode u oblasti u kojoj živite. Od lokalnog nadležnog organa zaduženog za vodu možete dobiti informacije u vezi sa tvrdoćom vode u oblasti u kojoj živite.

### Podešavanje utroška soli

Mašina za pranje posuđa je napravljena tako da omogućava podešavanje količine utrošene soli na osnovu tvrdoće vode koja je u upotrebi. Cilj je da se nivo utroška soli optimizuje i prilagodi svakom zasebnom slučaju.

Za podešavanje utroška soli, pratite sljedeće korake.

1. Uključite uređaj;
2. Pritisnite taster režima za brzo pranje i zadržite pritisak duže od 5 sekundi, treperenje indikatora nivoa soli označava pristupanje podešavanjima za omekšivač vode. Podesite režim u roku od 60 sekundi nakon aktiviranja uređaja.
3. Pritisnite taster Ubrzano kako biste izabrali odgovarajuće podešavanje prema sredini u kojoj se nalazite.
 

Podešavanja će se smjenjivati sljedećim redoslijedom:

H3->H4->H5->H6->H1->H2->H3;
4. Pritisnite taster Uključivanje/Isključivanje kako bi ste napustili režim podešavanja.

TVRDOĆA VODE				Nivo omekšivača vode	Regeneracija se dešava na svakih X program sekvenci <sup>1)</sup>	Potrošnja soli (grama/ciklusu)
Njemački °dH	Francuski °fH	Britanski °Klarkov	Mmol/l			
0 - 5	0 - 9	0 - 6	0 - 0.94	H1-> Uključena lampica režima Brzo pranje	Nema regeneracije	0
6 - 11	10 - 20	7 - 14	1.0 - 2.0	H2-> Uključena lampica režima 90 min	10	9
12 - 17	21 - 30	15 - 21	2.1 - 3.0	H3-> Uključena lampica režima 90 min, Brzo pranje	5	12
18 - 22	31 - 40	22 - 28	3.1 - 4.0	H4-> Uključena lampica režima ECO (Ekološki)	3	20
23 - 34	41 - 60	29 - 42	4.1 - 6.0	H5-> Uključena lampica režima ECO (Ekološki), Brzo pranje	2	30
35 - 55	61 - 98	43 - 69	6.1 - 9.8	H6-> Uključena lampica režima ECO (Ekološki), 90 min	1	60

1°dH=1.25 °Klarkov=1.78 °fH=0,178mmol/l

Fabričko podešavanje: H3

Za informacije u vezi sa tvrdoćom vode koju koristite, kontaktirajte lokalni nadležni organ zadužen za vodu.

<sup>1)</sup> Svaki ciklus s opcijom regeneracije troši dodatnih 2l vode, potrošnja energije se povećava za 0,02 kWh, a program se produžuje za 4 minute.

### NAPOMENA

Provjerite odjeljak 3 "Stavljanje soli u omekšivač", DIO I: Uopštenog uputstva, ukoliko u vašoj veš mašini nema dovoljno soli.

### NAPOMENA

**Ukoliko se u okviru Vašeg modela mašine ne upotrebljava omekšivač vode, ovaj odjeljak možete preskočiti.**

### Omekšivač vode

Tvrdoća vode se razlikuje od mjesta do mjesta. Ukoliko mašina za pranje posuđa koristi tvrdi vodu, pojavice se naslage na posuđu i priboru za jelo.

Uređaj je opremljen posebnom pregradom za omekšivač i ima posudu za so, što je posebno dizajnirano za eliminisanje kamenca i minerala iz vode.

## Priprema i raspoređivanje posuđa u mašini

- Razmislite o kupovini pribora za jelo, koji je označen kao "bezbjedan za pranje u mašini".
- Za određene posude izaberite program s najnižom mogućom temperaturom.
- Kako biste izbjegli oštećenja, čaše i pribor za jelo ne vadite iz mašine za pranje posuđa odmah nakon što program završi s radom.

### Sledeći tipovi pribora za jelo/posuđa

#### nisu pogodni za pranje:

- Pribor za jelo sa drvenim, rožanim, porcelanskim ili sedefnim drškama
- Plastični predmeti koji nisu otporni na visoke temperature
- Stariji tipovi pribora za jelo sa zaljepljenim dijelovima koji nisu otporni na visoke temperature
- Ljepljeni pribor za jelo ili posuđe
- Posuđe od kalaja ili bakra
- Kristalne čaše
- Posuđe od čelika podložnog rđanju
- Drveni ovali
- Posuđe od sintetičkih vlakana

#### su djelimično pogodni za pranje:

- Neke vrste čaša mogu da poslije većeg broja ciklusa pranja izgube sjaj
- Dijelovi od srebra i aluminijuma obično promjene boju tokom pranja
- Ukoliko se često peru u mašini, glazirani elementi mogu da potamne

### Preporuke za raspoređivanje posuđa u mašini

Uklonite veće komade preostale hrane. Razmekšajte ostatke zagorjele hrane u tiganjima. Nije neophodno isprati posude tekućom vodom.

Za najbolji učinak mašine za pranje posuđa, pratite sljedeće smjernice za raspoređivanje posuđa u mašini.

#### **(Karakteristike i izgled korpi i korpi za pribor za jelo mogu se razlikovati od korpi u okviru Vašeg modela.)**

Predmete rasporedite u mašini za pranje posuđa na sljedeći način:

- Posuđe poput šolja, čaša, šerpi/tiganja itd. postavite u obrnuti položaj.
- Zakrivljeno posuđe i posuđe sa nepristupačnim dijelovima treba postaviti dijagonalno, kako bi voda mogla da se nesmetano sliva.
- Kompletan pribor treba naslagati tako da bude stabilan i da se ne prevrne.
- Kompletan pribor treba postaviti tako da ručice prskalica mogu da se slobodno okreću tokom procesa pranja.
- Šuplje posuđe, poput šolja, čaša, tiganja itd., postavite tako da otvor bude okrenut ka dole, kako se voda ne bi sakupljala u posudi ili dubokom dnu.
- Posuđe i pribor za jelo se ne smiju smještati jedni u druge i zaklanjati jedni druge. Kako biste izbjegli oštećenje čaša, povedite računa da se one ne dodiruju.
- Gornja korpa je predviđena za delikasnije i lakše posuđe, poput čaša i šolja za kafu i čaj.
- Noževi dugih sječiva postavljeni u uspravan položaj predstavljaju potencijalnu opasnost!
- Dugi i / ili oštri komadi pribora za jelo, poput noževa za sječenje, moraju se postavljati u gornju korpu, u horizontalnom položaju.
- Nemojte pretjerano opteretiti svoju mašinu za pranje posuđa. Postoje dobri razlozi zbog kojih je ovu smernicu važno ispoštovati, a jedan od razloga je i razumna potrošnja energije.



#### NAPOMENA

Izuzetno male predmete ne treba prati u mašini za pranje posuđa, jer mogu lako ispasti iz korpi.

### Vadenje posuđa

Kako biste spriječili kapanje vode sa gornje na donju korpu, preporučujemo Vam da najprije izvadite sadržaj donje, a onda i gornje korpe.



#### UPOZORENJE!



**Posuđe će biti vrelo!** Kako biste izbjegli oštećenja, čaše i pribor za jelo ne vadite iz mašine za pranje posuđa najmanje 15 minuta nakon što program završi.

### Raspoređivanje posuđa u gornju korpu

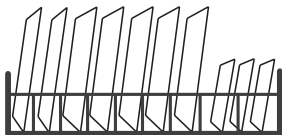
Gornja korpa je predviđena za osjetljivije i lakše posuđe, poput čaša, šolja za kafu i čaj i tacni, kao i tanjira, malih činija i plitkih tiganja (ukoliko nisu pretjerano zaprljani). Posuđe i elemente za kuhanje postavite tako da ne može da ih pomjeri mlaz vode.



### Raspoređivanje posuđa u donju korpu

Predlažemo Vam da u donju korpu rasporedite veliko posuđe, kao i posuđe koje se najteže pere: poput šerpi, tiganja, poklopaca, servisnog posuđa i činija, na način prikazan na slici. Najbolje je da servisno posuđe i poklopce postavite sa strane polica, kako ne biste blokirali okretanje gornje ručice prskalice.

Savjetuje se da se ispred posude za deterženje ne stavljaju tanjiri čiji je prečnik veći od 19 cm, da ne bi došlo do njenog blokiranja.



### Raspoređivanje posuđa u korpu za pribor za jelo

Pribor za jelo treba razvrstati u polici za pribor za jelo, tako da svaki element pribora za jelo stoji zasebno, na za njega predviđenom mestu. Osim toga, povedite računa da pribor ne bude pregusto grupisan, jer to za rezultat može imati loš učinak mašine.

#### ⚠ UPOZORENJE!



Ne dozvolite da delovi posuđa proviruju kroz dno.  
Oštar pribor uvek postavljajte sa oštirim vrhom okrenutim ka dole!

#### ☰ NAPOMENA

Za najbolji efekat pranja, posuđe raspoređujte u korpe u skladu sa standardnim načinima raspoređivanja, navedenim u poslednjem odjeljku DIJELA I: OPŠTE UPUTSTVO

## Uloga sredstva za ispiranje i deterdženta

Sredstvo za ispiranje se ispušta tokom posljednjeg ispiranja kako bi spriječilo da se voda na Vašem posudu formira u kapi, koje mogu da ostave kružne i prugaste mrlje. Osim toga, ovo sredstvo poboljšava sušenje jer vodi omogućava da sklizne sa posuđa. Predviđeno je da se u Vašoj mašini za pranje.

#### ⚠ UPOZORENJE!

U mašinu za pranje posuđa stavljajte samo brendirana sredstva za ispiranje. Nikada ne stavljajte neke druge supstance (npr. sredstvo za čišćenje mašine za pranje posuđa, tečni deterdžent) u posudu za sredstvo za ispiranje. Na taj način možete oštetiti uređaj.

### Kada je potrebno dopuniti posudu za sredstvo za ispiranje

Učestalost potrebe za dopunjavanjem rezervoara zavisiće od učestalosti pranja posuđa, kao i od aktiviranog podešavanja za sredstvo za ispiranje.

Lampica indikatora koji ukazuje na nizak nivo sredstva za ispiranje u rezervoaru (💧) uključuje se kada bude bilo potrebno dopuniti sredstvo za ispiranje. Nemojte prepunjavati rezervoar sredstva za ispiranje.

### Uloga deterdženta

Hemijski sastojci u deterdžentu su neophodni za skidanje, usitnjavanje i izbacivanje svih vrsta prljavštine iz mašine za pranje posuđa. Većina deterdženata komercijalnog kvaliteta odgovara ovoj svrsi.



## ⚠ UPOZORENJE!

### Pravilna upotreba deterdženta

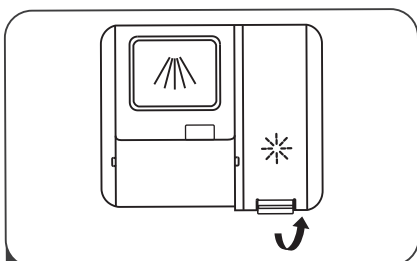
Upotrebljavajte isključivo deterdžente posebno napravljene za mašine za pranje posuđa. Čuvajte deterdžente tako da ostanu svježiji i suhi. Ne stavljajte praškaste deterdžente u posudu za deterdžent sve dok ne budete spremni da uključite mašinu za pranje sudova.



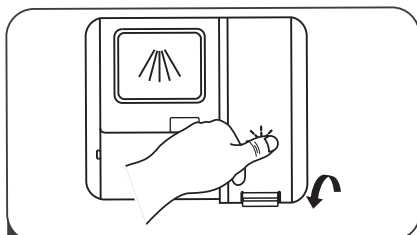
**Deterdžent za mašinsko pranje posuđa je korozivan!**

**Držite deterdžent za mašinsko pranje posuđa van domašaja djece.**

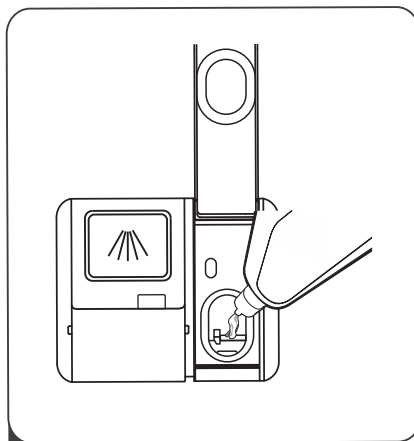
## Punjenje rezervoara za sredstvo za ispiranje



- 1 Uklonite poklopac rezervoara sredstva za ispiranje tako što ćete podići ručicu.



- 3 Nakon obavljenog postupka, zatvorite poklopac.



- 2 Sipajte sredstvo za ispiranje u rezervoar, pazeći pritom da ga ne prepunite.

### Podešavanje rezervoara sredstva za ispiranje

Da bi se postigao bolji učinak prilikom sušenja, a uz ograničenu upotrebu sredstva za ispiranje, mašina za pranje sudova je dizajnirana tako da omogući podešavanje potrošnje zavisno od potreba korisnika.

Pratite sledeće korake.

- Otvorite vrata. Uključite uredaj.
- U roku od 60 sekundi nakon što ste obavili korak 1, pritisnite taster režima za brzo pranje i zadržite pritisak duže od 5 sekundi, a zatim pritisnite taster za odloženi start kako biste pristupili opcijama za podešavanje; indikator sredstva za ispiranje će treperiti pri frekvenciji od 1 Hz.
- Pritisnite taster režima za brzo pranje kako biste odabrali odgovarajuće podešavanje, u skladu sa Vašim navikama pri pranju sudova. Podešavanja će se smjenjivati sledećim redosledom: D1->D2->D3->D4->D5->D1. Što je broj veći, to će biti i veća količina sredstva za ispiranje koju mašina za pranje sudova koristi.
- Pritisnite taster za uključivanje/isključivanje kako biste kompletirali postupak podešavanja.

**Nivo sredstva za ispiranje**

D1

D2

D3

D4

D5

**Pozicija tastera za odabir programa**

D1-&gt; Uključena lampica režima Brzo pranje

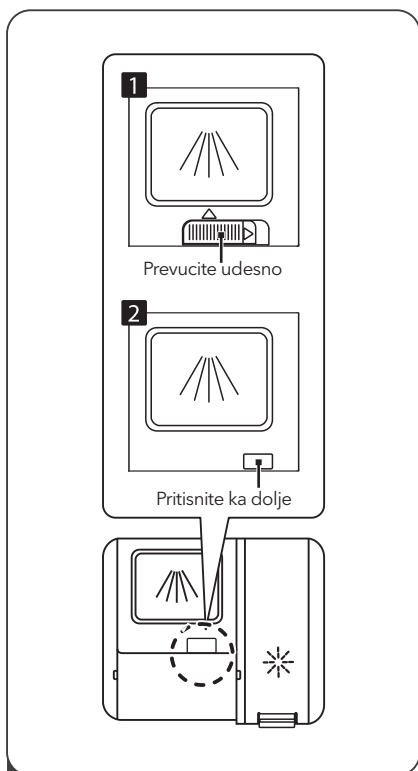
D2-&gt; Uključena lampica režima 90 min

D3-&gt; Uključena lampica režima Brzo pranje, 90 min

D4-&gt; Uključena lampica režima ECO (Ekološki)

D5-&gt; Uključena lampica režima Brzo pranje, ECO (Ekološki)

## PUNJENJE POSUDE ZA DETERDŽENT

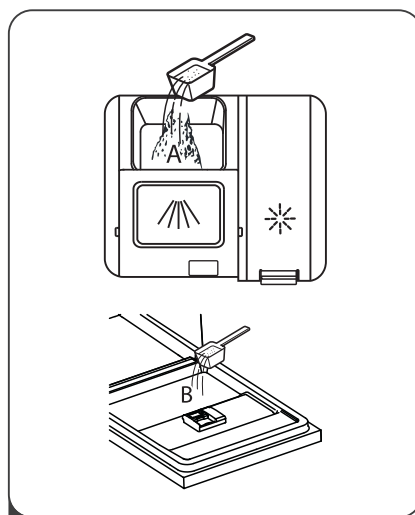


1 Način otvaranja odaberite zavisno od realnog uređaja.

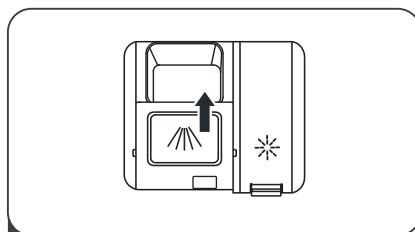
1. Otvorite poklopac tako što ćete kliznim pokretom prevući rezu za otpuštanje.
2. Otvorite poklopac pritiskom na rezu za otpuštanje.

**NAPOMENA**

- Imajte u vidu da podešavanja mogu da se razlikuju zavisno od stepena zaprjanosti vode.
- Pridržavajte se preporuka proizvođača navedenih na ambalaži deterdženta.



- 2 Dodajte deterdžent u veći otvor (A) za glavni ciklus pranja. Za postizanje boljih rezultata prilikom pranja, posebno ukoliko imate izuzetno zaprjano posuđe, sipajte malu količinu deterdženta na vrata. Ova dodatna količina deterdženta će se aktivirati tokom faze pretpranja.






- 3 Zatvorite poklopac tako što ćete ga kliznim pokretom prevući ka prednjem dijelu, a zatim ga utisnuti.

# PROGRAMIRANJE MAŠINE ZA PRANJE SUDOVA

## Tabela ciklusa pranja

U tabeli ispod prikazani su najprikladniji programi prema stepenu ostataka hrane na posudu i potrebnoj količini deterdženta. Osim toga, prikazani su i razni podaci u vezi sa programima. Vrednosti potrošnje i trajanja programa su orijentacione, osim za EKO (Ekološki) program.

Oznaka (●) predstavlja potrebu za dodavanjem sredstva za ispiranje u posudu za sredstvo za ispiranje.

Program	Opis ciklusa	Deterdženta pretpranje/ glavno pranje	Vrijeme trajanja ciklusa (min)	Energija (kWh)	Voda (L)	Sredstvo za ispiranje
 <b>Intenzivno</b>	Pretpiranje (50°C)					
	Pranje (65°C)					
	Ispiranje	4+13 g	205	1.378	15.3	●
	Ispiranje	1 ili 2 komada				
	Ispiranje (65°C)					
Sušenje						
<b>ECO</b> (*EN 60436)	Pranje (45°C)					
	Ispiranje	17 g	235	0.704	9.0	●
	Ispiranje (55°C)					
	Sušenje					
 <b>90 minuta</b>	Pranje (60°C)					
	Ispiranje	17 g	90	1.234	10.2	●
	Ispiranje (65°C)	1 komad				
	Sušenje					
 <b>Rapid</b>	Pranje (50°C)					
	Ispiranje	12 g	30	0.611	10.0	○
	Ispiranje (45°C)					

### ☰ NAPOMENA

### ECO (\*EN 60436)

ECO program prikladan je za čišćenje normalno zaprljanog posuda, jer je (\* EN60436) za ovu uporabu najučinkovitiji program u smislu njegove kombinirane potrošnje energije i vode, a koristi se za ocjenu usklađenosti sa zakonodavstvom EU o ekodizajniranju.

## Štednja energije

1. Predispiranje posuda dovodi do povećane potrošnje vode i energije i ne preporučuje se.
2. Pranje posuda u perilici posuda u kućanstvu obično troši manje energije i vode u fazi upotrebe od ručnog pranja posuda kada je perilica posuda u kućanstvu koristi se prema uputama.

## Započinjanje ciklusa pranja

1. Izvucite donju i gornju korpu, rasporedite posude i vratite ih u mašinu. Preporučuje se da najprije rasporedite posude na donjoj, a zatim na gornjoj korpi.
2. Sipajte deterdžent.
3. Priključite utikač u utičnicu. Za podatke o napajanju, pogledajte odjeljak „Karakteristike proizvoda“, na posljednjoj strani. Postarajte se da dovod vode bude uključen i pod punim pritiskom.
4. Otvorite vrata, pritisnite dugme za uključivanje i svjetlo za uključivanje/isključivanje će zasvjetliti.
5. Izaberite program, nakon čega će se uključiti svjetlo indikacije. Zatim zatvorite vrata i mašina za pranje posuda će započeti svoj ciklus.

## Mjenjanje programa u toku započetog ciklusa

Ciklus pranja koji je u toku se može promijeniti samo ukoliko nije proteklo mnogo vremena od početka rada mašine. U suprotnom, mašina je možda već ubacila deterdžent u ciklus pranja i ispuстила vodu sa sapunicom. U tom slučaju, mašinu je neophodno ponovo podesiti, a posudu za deterdžent dopuniti. Da ponovo podesite mašinu za pranje posuđa, pratite dole prikazana uputstva:

1. Otvorite malo vrata, kako biste zaustavili rad mašine za pranje posuđa, nakon što ručica prskalice prestane da radi, vrata možete otvoriti širom.
2. Pritisnite dugme Program i držite duže od tri sekunde i mašina će preći u režim čekanja.
3. Možete promijeniti program na željenu postavku ciklusa.



## Zaboravili ste da dodate posudu?

Posudu koju ste zaboravili da stavite u mašinu možete dodati u bilo kom trenutku prije nego što se otvori posuda za deterdžent. U tom slučaju, pratite sljedeća uputstva:

1. Otvorite malo vrata, kako biste zaustavili ciklus pranja.
2. Nakon što ručica prskalice prestane s radom, možete širom otvoriti vrata.
3. Dodajte posuđe koje ste zaboravili da stavite u mašinu.
4. Zatvorite vrata.
5. Mašina za pranje posuđa će ponovo početi s radom.



### **UPOZORENJE!**



Opasno je otvarati vrata mašine u toku započetog ciklusa, jer možete zadobiti opekotine od vrela pare.

# OZNAKE GREŠAKA

U slučaju nepravilnog rada, na mašini za pranje sudova će biti prikazane oznake grešaka, kojima se identifikuju sledeći slučajevi:

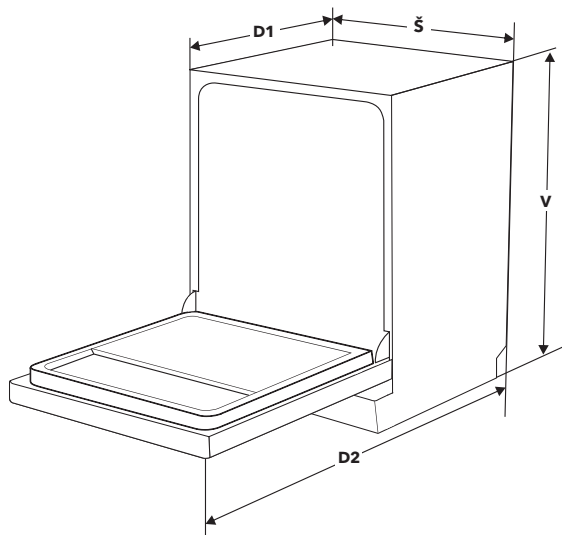
Oznake	Značenje	Mogući uzroci
Indikator ubrzanog pranja neprekidno treperi	Produženo vreme primanja vode.	Slavine nisu odvrnute ili je ulaz vode blokiran ili je pritisak vode prenizak.
Indikator 90-minutnog i Ubrzanog pranja neprekidno trepere.	Ne može se dostići zadata temperatura.	Neispravan grijač.
Indikator ECO pranja neprekidno treperi	Prelivanje.	Neki dio mašine za pranje posuda propušta vodu.
Svjetlosni indikator režima Intenzivno, ECO (Ekološki), i Brzo pranje ubrzano trepere	Prekid komunikacije između glavne štampane ploče i štampane ploče za displej.	Otvoreno kolo ili prekid veza za uspostavljanje komunikacije.



## UPOZORENJE!

- Ukoliko dođe do preliivanja vode, prije nego što pozovete servis, isključite glavni ventil za vodu.
- Ukoliko na dnu mašine ima vode zbog preliivanja ili manjeg propuštanja vode, prije ponovnog pokretanja mašine za pranje posuđa ovu vodu treba ukloniti.
- Ukoliko postoji kod greške koji se ne može rešiti, zatražite stručnu pomoć servisera.

## TEHNIČKI PODACI



<b>Visina (H)</b>	815mm
<b>Širina (W)</b>	448mm
<b>Dubina (D1)</b>	550mm (sa zatvorenim vratima)
<b>Dubina (D2)</b>	1150mm (s vratima otvorenim pod uglom od 90°)

## Lista sa informacijama o proizvodu (EN60436)

**Naziv ili zaštitni znak dobavljača:** Tesla**Adresa dobavljača (b):****Identifikacioni kod modela:** WDI461M**Opšti parametri proizvoda:**

Parametar	Vrijednost	Parametar	Vrijednost	
Nominalni kapacitet (*) (ps)	9	Dimenzije u cm	Visina	82
			Širina	45
			Dubina	55
EEI (*)	55,9	Klasa energetske efikasnosti (*)	E (c)	
Indeks efikasnosti čišćenja (*)	1,125	Indeks efikasnosti sušenja (*)	1,065	
Potrošnja energije izražena u kWh [po ciklusu], zasnovana na programu eco (ekološki), uz upotrebu hladne vode. Realna potrošnja energije zavisice od načina na koji se uređaj upotrebljava.	0,704	Potrošnja vode izražena u litrima [po ciklusu], zasnovana na programu eco (ekološki). Realna potrošnja vode zavisice od načina na koji se uređaj upotrebljava i od tvrdoće vode.	9,0	
Trajanje programa (*) (č: min)	3:55	Tip	Ugradno	
Emitovanje buke koja se prenosi vazduhom (*) (dB(A) re 1 pW)	49	Klasa emitovanja buke koja se prenosi vazduhom (*)	C (c)	
Režim „Isključeno“ (Off) (W)	0,49	Režim pripravnosti (Standby) (W)	N/A	
Odloženi start (W) (ukoliko je primjenjivo)	1,00	Mrežna pripravnost (W) (ukoliko je primjenjivo)	N/A	

**Minimalno trajanje garancije ponuđeno od strane dobavljača (b):****Dodatne informacije:**

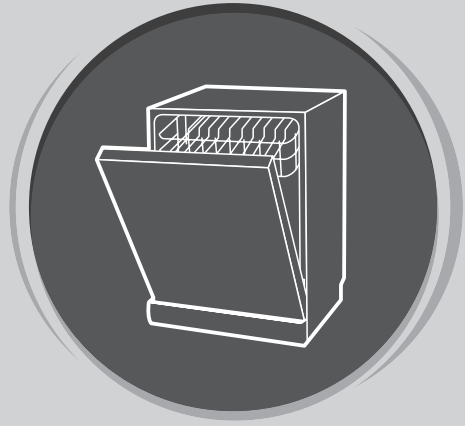
Link koji vodi ka veb sajtu dobavljača, a na kome su dostupne informacije navedene pod tačkom 6 Aneksa II Uredbe Komisije (EU) 2019/2022 (1) (b):

(a) za program eco (ekološki).

(b) izmjene u okviru ovih stavki se neće smatrati relevantnim za svrhe stava 4 Člana 4 Uredbe (EU) 2017/1369.

(c) ukoliko se u okviru baze podataka o proizvodu automatski generiše kompletan sadržaj ovog polja, dobavljač neće unijeti pomenute podatke.

(1) Uredba Komisije (EU) 2019/2022 od 1. oktobra 2019. godine, kojom se utvrđuju zahtjevi u smislu ekološkog dizajna mašina za pranje posuda u domaćinstvu, a u skladu sa Direktivom 2009/125/EC Evropskog parlamenta i Savjeta, kojom se vrši izmjena i dopuna Uredbe Komisije (EU) 1275/2008 i van snage stavlja Uredbe Komisije (EU) 1016/2010 (pogledajte na strani 267 ovog Službenog glasnika).



# ΠΛΥΝΤΗΡΙΟ ΠΙΑΤΩΝ

Εγχειρίδιο  
χρήσης

## ΜΕΡΟΣ Ι: ΓΕΝΙΚΗ ΕΚΔΟΣΗ

Πριν χρησιμοποιήσετε το πλυντήριο πιάτων, διαβάστε προσεκτικά αυτό το εγχειρίδιο και φυλάξτε το για μελλοντική αναφορά.

# ΟΔΗΓΙΕΣ ΑΣΦΑΛΕΙΑΣ



## ΠΡΟΕΙΔΟΠΟΙΗΣΗ!

Όταν χρησιμοποιείτε το πλυντήριο πιάτων σας, ακολουθήστε τις προφυλάξεις που αναφέρονται παρακάτω:

- Οι εργασίες εγκατάστασης και επισκευής πρέπει να εκτελούνται μόνο από εξειδικευμένο τεχνικό.
  - Αυτή η συσκευή προορίζεται για χρήση σε κατοικίες ή παρεμφερείς χώρους, όπως
  - χώροι κουζίνας προσωπικού σε καταστήματα, γραφεία και άλλους χώρους εργασίας
  - αγροικίες
  - από πελάτες ξενοδοχείων, μοτέλ και άλλων χώρων διαμονής
  - χώροι καταλυμάτων με πρυνό.
- Αυτή η συσκευή μπορεί να χρησιμοποιείται από παιδιά ηλικίας 8 ετών και άνω και από άτομα με μειωμένες σωματικές, αισθητηριακές ή διανοητικές ικανότητες ή έλλειψη πείρας και γνώσης, εφόσον επιβλέπονται ή έχουν λάβει οδηγίες για την ασφαλή χρήση της συσκευής και έχουν κατανοήσει τους κινδύνους που υπάρχουν.
- Τα παιδιά δεν πρέπει να παίζουν με τη συσκευή. Οι εργασίες καθαρισμού και συντήρησης οι οποίες μπορούν να εκτελεστούν από τον χρήστη δεν επιτρέπεται να πραγματοποιούνται από παιδιά χωρίς επίβλεψη. (Για το πρότυπο EN60335-1)
- Αυτή η συσκευή δεν προορίζεται για χρήση από άτομα (συμπεριλαμβανομένων και των παιδιών) περιορισμένης σωματικής, αισθητηριακής ή νοητικής ικανότητας ή άτομα στερούμενα της κατάλληλης πείρας και γνώσης, παρά μόνο εφόσον βρίσκονται υπό επίβλεψη ή έχουν λάβει τις κατάλληλες οδηγίες για τη χρήση της συσκευής από άτομο υπεύθυνο για την ασφάλειά τους. (Για το πρότυπο EN60335-1) Τα υλικά συσκευασίας μπορεί να αποδειχθούν επικίνδυνα για τα παιδιά!
- Η συσκευή αυτή προορίζεται μόνο για οικιακή χρήση.
- Για προστασία από τον κίνδυνο ηλεκτροπληξίας, μη βυθίζετε τη συσκευή, το καλώδιο τροφοδοσίας ή το φως σε νερό ή άλλο υγρό. Αποσυνδέστε τη συσκευή από την πρίζα πριν από τον καθαρισμό και τη συντήρηση της συσκευής.
- Χρησιμοποιήστε ένα μαλακό, ελαφρά βρεγμένο πανί με ήπιο σαπούνι και στη συνέχεια ένα στεγνό πανί για το σκούπισμα.



## Οδηγίες γείωσης

- Η συσκευή πρέπει να γειωθεί. Σε περίπτωση δυσλειτουργίας ή βλάβης, η γείωση θα μειώσει τον κίνδυνο ηλεκτροπληξίας παρέχοντας μια οδό μειωμένης αντίστασης για το ηλεκτρικό ρεύμα. Η συσκευή είναι εξοπλισμένη με φως γείωσης.
- Το φως πρέπει να συνδέεται σε κατάλληλη πρίζα που να είναι εγκατεστημένη και γειωμένη σύμφωνα με όλους τους τοπικούς κώδικες και κανονισμούς.
- Η ακατάλληλη σύνδεση του εξοπλισμού ή του αγωγού γείωσης ενέχει τον κίνδυνο ηλεκτροπληξίας. Αναθέστε σε εξειδικευμένο ηλεκτρολόγο ή εκπρόσωπο σέρβις να κάνει τους σχετικούς ελέγχους, αν έχετε αμφιβολίες για το κατά πόσο η πρίζα είναι σωστά γειωμένη.
- Μην τροποποιείτε το φως που παρέχεται με τη συσκευή, σε περίπτωση μη εφαρμογής του στην πρίζα.
- Απευθυνθείτε σε εξειδικευμένο ηλεκτρολόγο για την εγκατάσταση της κατάλληλης πρίζας.
- Μην κακομεταχειρίζεστε, κάρθετε ή στηρίζετε στην πόρτα ή στο καλάθι για πιάτα του πλυντηρίου πιάτων.
- Μη θέσετε το πλυντήριο πιάτων σε λειτουργία αν δεν είναι σωστά τοποθετημένα στη θέση τους όλα τα προστατευτικά.
- Ανοίξτε την πόρτα πολύ προσεκτικά εάν το πλυντήριο πιάτων βρίσκεται σε λειτουργία, καθώς υπάρχει ο κίνδυνος εκτίναξης νερού. Μην τοποθετείτε βαριά αντικείμενα επάνω στη συσκευή και μη στηρίζετε στην πόρτα όταν είναι ανοιχτή. Η συσκευή θα μπορούσε να γεμίσει προς τα εμπρός και να ανατραπεί.
- Κατά τη φόρτωση αντικειμένων που πρέπει να πλυθούν:
  1. Τοποθετήστε τα αιχμηρά αντικείμενα με τέτοιο τρόπο ώστε να μην μπορούν να προκαλέσουν ζημιά στο λάστιχο της πόρτας.
  2. Προειδοποίηση: Τα μαχαίρια και άλλου είδους σκέυη με αιχμηρά άκρα θα πρέπει να τοποθετούνται στο καλάθι με τα αιχμηρά άκρα στραμμένα προς τα κάτω ή σε οριζόντια θέση.
- Ορισμένα απορρυπαντικά πλυντηρίου πιάτων είναι ιδιαίτερα αλκαλικά. Μπορούν να είναι εξαιρετικά επικίνδυνα σε περίπτωση κατάποσης.
- Αποφύγετε την επαφή με το δέρμα και τα μάτια και κρατήστε τα παιδιά μακριά από το πλυντήριο πιάτων όταν η πόρτα είναι ανοιχτή.
- Ελέγξτε ότι η θήκη της σκόνης απορρυπαντικού είναι άδεια μετά την ολοκλήρωση του κύκλου πλύσης.
- Μην πλένετε πλαστικά αντικείμενα εκτός εάν φέρουν την ένδειξη «dishwasher safe (ασφαλές για πλύσιμο σε πλυντήριο πιάτων)» ή άλλη αντίστοιχη ένδειξη.
- Για πλαστικά αντικείμενα που δεν επισημαίνονται ως τέτοια, ελέγξτε τις συστάσεις του κατασκευαστή τους.
- Χρησιμοποιείτε μόνο απορρυπαντικά και μέσα έκπλυσης κατάλληλα για αυτόματα πλυντήρια πιάτων.
- Μη χρησιμοποιείτε ποτέ σαπούνι, απορρυπαντικό ρούχων ή υγρό πιάτων για πλύσιμο στο χέρι στο πλυντήριο πιάτων σας.
- Η πόρτα δεν πρέπει να παραμένει ανοιχτή, καθώς αυξάνεται ο κίνδυνος να σκοντάψετε επάνω της.
- Εάν το καλώδιο ρεύματος είναι φθαρμένο, πρέπει να αντικατασταθεί από τον κατασκευαστή ή τον εκπρόσωπο σέρβις ή άλλο εξειδικευμένο άτομο για να αποτραπούν τυχόν κίνδυνοι.
- Κατά την εγκατάσταση, το καλώδιο τροφοδοσίας δεν πρέπει να έχει καμφθεί ή πεπλατυθεί σε υπερβολικό ή επικίνδυνο βαθμό.
- Μην παρεμβάινετε στα στοιχεία ελέγχου.
- Η συσκευή πρέπει να συνδεθεί στην παροχή νερού με νέα σετ εύκαμπτων σωλήνων. Δεν πρέπει να ξαναχρησιμοποιηθούν παλιά σετ εύκαμπτων σωλήνων.
- Για λόγους εξοικονόμησης ενέργειας, όταν η συσκευή βρίσκεται σε κατάσταση αναμονής, απενεργοποιείται αυτόματα εάν δεν εκτελεστεί κάποια λειτουργία σε διάστημα 15 λεπτών.
- Ο μέγιστος αριθμός σερβιτσιών που μπορούν να πλυθούν είναι 12.
- Η μέγιστη επιτρεπόμενη πίεση νερού εισόδου είναι 1MPa.



- Η ελάχιστη επιτρεπόμενη πίεση νερού εισόδου είναι 0,04MPa.



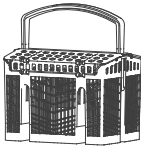
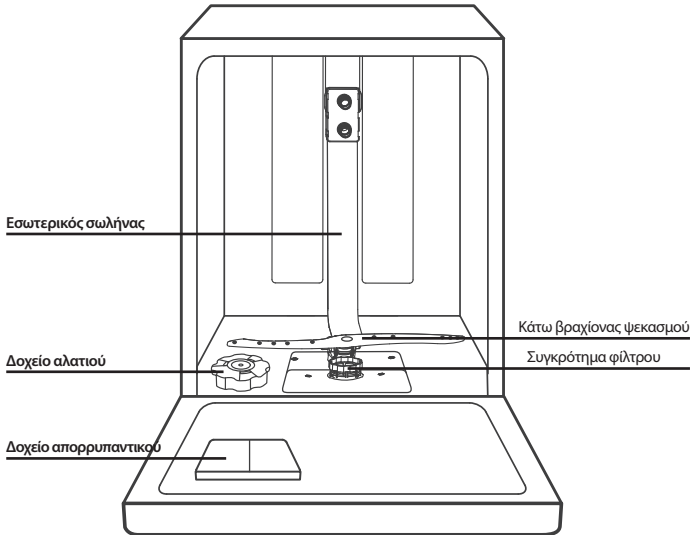
#### Περιγραφή

- Για την απόρριψη των υλικών συσκευασίας και της συσκευής, απευθυνθείτε σε ένα κέντρο ανακύκλωσης. Προκειμένου να την απορρίψετε, κόψτε το καλώδιο τροφοδοσίας και αχρηστέψτε τον μηχανισμό κλεισίματος της πόρτας της συσκευής.
- Η συσκευασία από χαρτόνι παρασκευάζεται από ανακυκλωμένο χαρτί και πρέπει να απορρίπτεται σε κάδο συλλογής χαρτιού που προορίζεται για ανακύκλωση.
- Φροντίζοντας για την ορθή απόρριψη του προϊόντος αυτού συμβάλλετε στην αποτροπή πιθανών αρνητικών επιπτώσεων στο περιβάλλον και την ανθρώπινη υγεία, οι οποίες ενδέχεται, σε αντίθετη περίπτωση, να προκύψουν από την ακατάλληλη απόρριψη αυτού του προϊόντος.
- Για αναλυτικότερες πληροφορίες σχετικά με την ανακύκλωση αυτού του προϊόντος, επικοινωνήστε με το δημοτικό συμβούλιο και την υπηρεσία αποκομιδής οικιακών απορριμμάτων της περιοχής σας.
- **ΑΠΟΡΡΙΨΗ: Μην απορρίπτετε το προϊόν μαζί με τα υπόλοιπα οικιακά απορρίμματα. Τέτοιου είδους απόβλητα πρέπει να συλλέγονται χωριστά και να υφίστανται ειδική επεξεργασία.**

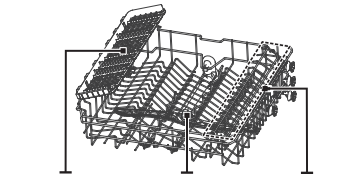
## ΕΠΙΣΚΟΠΗΣΗ ΠΡΟΪΟΝΤΟΣ

### ΣΗΜΑΝΤΙΚΟ

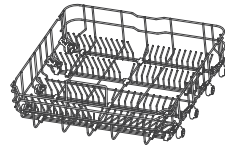
Για να εξασφαλίσετε τη βέλτιστη απόδοση του πλυντηρίου πιάτων σας, διαβάστε όλες τις οδηγίες λειτουργίας προτού χρησιμοποιήσετε τη συσκευή για πρώτη φορά.



Καλάθι μαχαιροπίρουнов



Επάνω καλάθι



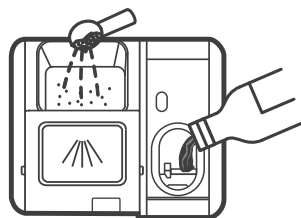
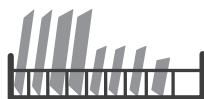
Κάτω καλάθι

### ΣΗΜΕΙΩΣΗ

Οι εικόνες παρέχονται μόνο για σκοπούς αναφοράς. Ενδέχεται να υπάρχουν διαφορές μεταξύ των διαφορετικών μοντέλων. Λάβετε υπόψη σας την εκάστοτε συσκευή.

# ΧΡΗΣΗ ΠΛΥΝΤΗΡΙΟΥ ΠΙΑΤΩΝ

Πριν από τη χρήση του πλυντηρίου πιάτων:



1. Ρύθμιση του αποσκληρυντή νερού
2. Πλήρωση δοχείου αποσκληρυντή με αλάτι

3. Φόρτωση του καλαθιού
4. Πλήρωση της θήκης απορρυπαντικού

## ΣΗΜΕΙΩΣΗ

Ανατρέξτε στην ενότητα 1 «Αποσκληρυντής νερού» του ΜΕΡΟΥΣ II: Ειδική Έκδοση, εάν πρέπει να ρυθμίσετε τον αποσκληρυντή νερού.

## Πλήρωση αλατιού στον αποσκληρυντή

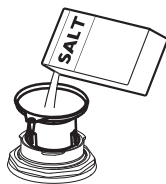
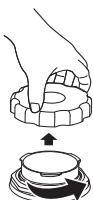
### ΣΗΜΕΙΩΣΗ

Εάν το μοντέλο δεν διαθέτει δοχείο αποσκληρυντή νερού, μπορείτε να παραλείψετε αυτή την ενότητα. Χρησιμοποιείτε πάντοτε αλάτι κατάλληλο για χρήση σε πλυντήριο πιάτων. Το δοχείο αλατιού βρίσκεται κάτω από το κάτω καλάθι και πρέπει να πληρώνεται με τον τρόπο που επεξηγείται παρακάτω:

### ΠΡΟΕΙΔΟΠΟΙΗΣΗ!

- Χρησιμοποιείτε μόνο αλάτι που προορίζεται ειδικά για πλυντήρια πιάτων! Οποιοσδήποτε άλλος τύπος αλατιού που δεν έχει σχεδιαστεί ειδικά για χρήση σε πλυντήριο πιάτων, ιδίως το επιτραπέζιο αλάτι, θα προκαλέσει ζημιά στον αποσκληρυντή νερού. Σε περίπτωση πρόκλησης ζημιάς που οφείλεται στη χρήση ακατάλληλου τύπου αλατιού, ο κατασκευαστής δεν παρέχει καμία εγγύηση ούτε θεωρείται υπεύθυνος για τυχόν ζημιές που προκαλούνται στη συσκευή.
- Γεμίζετε το δοχείο με αλάτι μόνο πριν από την έναρξη ενός κύκλου πλύσης. Με αυτόν τον τρόπο, αποτρέπεται η συσσώρευση κόκκων αλατιού ή αλατόνευρο που μπορεί να έχει υπερχειλίσει στο κάτω μέρος της συσκευής για απροσδιόριστο χρονικό διάστημα, καθώς μπορεί να προκαλέσει διάβρωση.

Ακολουθήστε τα βήματα που ακολουθούν για την προσθήκη αλατιού στο πλυντήριο πιάτων:



1. Αφαιρέστε το κάτω καλάθι και ξεβιδώστε το καπάκι του δοχείου.
2. Τοποθετήστε το άκρο του χωνιού (παρέχεται) μέσα στην οπή και τοποθετήστε περίπου 1,5kg αλατιού για πλυντήριο πιάτων.
3. Γεμίστε το δοχείο αλατιού με νερό μέχρι την ανώτατη στάθμη του. Είναι φυσιολογικό μικρή ποσότητα νερού να υπερχειλίσει από το δοχείο του αλατιού.
4. Αφού γεμίσετε το δοχείο, επαναβιδώστε καλά το καπάκι στη θέση του.

5. Η προειδοποιητική λυχνία αλατιού θα σβήσει μόλις το δοχείο πληρωθεί με αλάτι.
6. Αφού γεμίσετε το δοχείο με αλάτι, πρέπει να εκκινήσετε ένα πρόγραμμα πλύσης (συνιστάται η επιλογή ενός σύντομου προγράμματος). Διαφορετικά, το σύστημα φίλτρου, η αντλία ή άλλα σημαντικά μέρη της συσκευής ενδέχεται να υποστούν ζημιά από το αλατόνευρο. Αυτό δεν καλύπτεται από την εγγύηση.

## ΣΗΜΕΙΩΣΗ

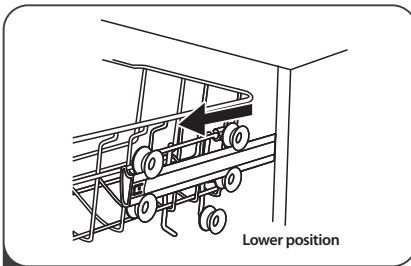
- Το δοχείο αλατιού θα πρέπει να επαναπληρώνεται μόνο όταν ανάβει η προειδοποιητική λυχνία αλατιού ( ) στον πίνακα χειρισμού. Ανάλογα με το πόσο καλά διαλύεται το αλάτι, η προειδοποιητική λυχνία αλατιού μπορεί να παραμείνει αναμμένη, παρόλο που το δοχείο αλατιού είναι γεμάτο.
- Αν δεν υπάρχει προειδοποιητική λυχνία αλατιού στον πίνακα χειρισμού (για κάποια μοντέλα), μπορείτε να υπολογίσετε πότε να γεμίσετε τον αποσκληρυντή με αλάτι με βάση τον αριθμό των κύκλων πλύσης που έχει εκτελέσει το πλυντήριο πιάτων.
- Αν χυθεί αλάτι, εκτελέστε ένα πρόγραμμα μουλιάσματος ή ένα γρήγορο πρόγραμμα για να απομακρυνθεί η περίσσεια αλατιού.

## Συμβουλές για τη φόρτωση των καλαθιών

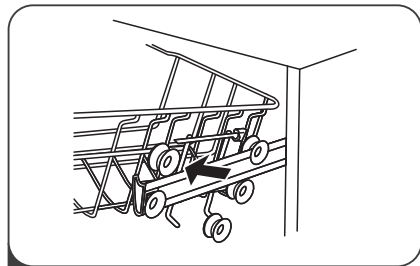
### Ρύθμιση επάνω καλαθιού

#### Τύπος 1:

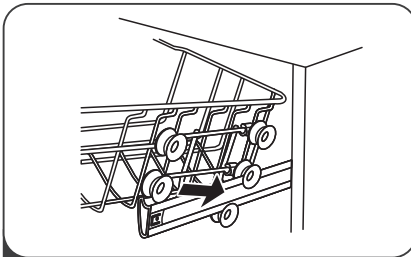
Το ύψος του επάνω καλαθιού μπορεί να ρυθμιστεί, προκειμένου να δημιουργηθεί περισσότερος χώρος για την τοποθέτηση μεγαλύτερων πιάτων τόσο στο επάνω όσο και στο κάτω καλάθι. Για να ρυθμίσετε το ύψος του επάνω καλαθιού, ακολουθήστε αυτά τα βήματα:



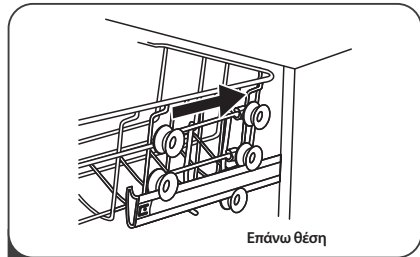
1 Τραβήξτε το επάνω καλάθι προς τα έξω. Κάτω θέση



2 Αφαιρέστε το επάνω καλάθι.

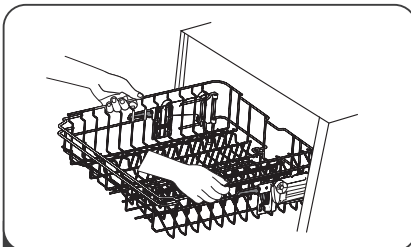


3 Επανατοποθετήστε το επάνω καλάθι στους επάνω ή στους κάτω οδηγούς κύλισης.

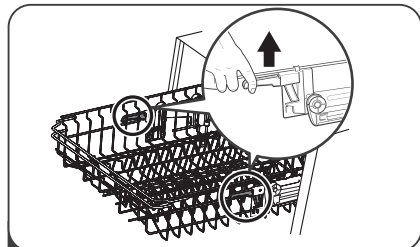


4 Ωθήστε το επάνω καλάθι προς τα μέσα.

#### Τύπος 2:



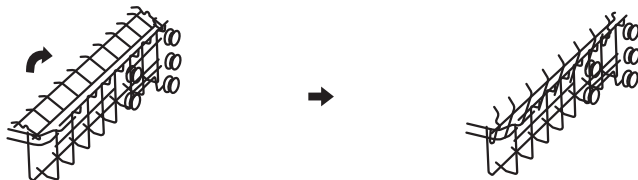
1 Για να ανεβάσετε το επάνω καλάθι, απλά ανασηκώστε το από το κέντρο της κάθε πλευράς μέχρι να ασφαλίσει στη θέση του στο ανώτερο επίπεδο. Δεν είναι απαραίτητο να σηκώσετε τη λαβή του προσαρμογέα.



2 Για να κατεβάσετε το επάνω καλάθι, σηκώστε τις λαβές προσαρμογής σε κάθε πλευρά προκειμένου να αποσπαστεί το καλάθι από τη θέση του και να το κατεβάσετε στο χαμηλότερο επίπεδο.

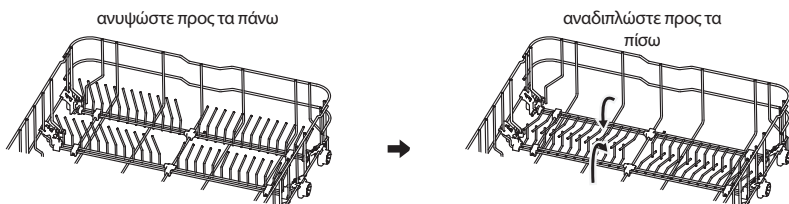
### Δίπλωμα των ραφιών για τα φλιτζάνια

Προκειμένου να δημιουργηθεί χώρος για την τοποθέτηση πιο μακρών αντικειμένων στο επάνω καλάθι, αναστήστε το ράφι των φλιτζανιών προς τα πάνω. Μπορείτε, κατόπιν, να τοποθετήσετε τα ψηλά ποτήρια με κλίση επάνω του. Μπορείτε, επίσης, να τα αφαιρέσετε εάν δεν είναι απαραίτητο να χρησιμοποιηθεί.



### Δίπλωμα των συρταριών των ραφιών

Οι ακίδες του κάτω καλάθιού χρησιμεύουν για τη συγκράτηση πιάτων και μιας πιατέλας. Το ύψος τους μπορεί να μειωθεί ώστε να δημιουργηθεί χώρος για μεγάλα αντικείμενα.



## ΣΥΝΤΗΡΗΣΗ ΚΑΙ ΚΑΘΑΡΙΣΜΟΣ

### Φροντίδα εξωτερικού συσκευής

#### Πόρτα και λάστιχο στεγανοποίησης πόρτας

Καθαρίζετε το λάστιχο στεγανοποίησης της πόρτας τακτικά με ένα μαλακό, ελαφρά βρεγμένο πανί για να αφαιρέσετε υπολείμματα τροφών.

Κατά τη φόρτωση του πλυντηρίου πιάτων, υπολείμματα τροφών και υγρών ενδέχεται να στάξουν στις πλευρές της πόρτας του πλυντηρίου πιάτων. Αυτές οι επιφάνειες βρίσκονται εξωτερικά του θαλάμου πλύσης και δεν διαβρέχονται με νερό από τους βραχιόνες ψεκασμού. Τυχόν υπολείμματα θα πρέπει να καθαρίζονται προτού η πόρτα κλείσει.

#### Πίνακας χειρισμού

Εφόσον είναι απαραίτητο, ο πίνακας χειρισμού θα πρέπει να καθαρίζεται με ένα μαλακό, ελαφρώς βρεγμένο πανί μόνο.



#### ΠΡΟΕΙΔΟΠΟΙΗΣΗ!

- Προκειμένου να αποφευχθεί η εισχώρηση νερού στον μηχανισμό κλειδώματος της πόρτας και στα ηλεκτρικά εξαρτήματα, μη χρησιμοποιείτε καθαριστικά οποιουδήποτε είδους σε μορφή σπρέι.
- Μη χρησιμοποιείτε σε καμία περίπτωση λειαντικά καθαριστικά ή συρμάτινα σφουγγαράκια στις εξωτερικές επιφάνειες καθώς ενδέχεται να δημιουργηθούν εκδορές στο φινιρίσμα. Ορισμένοι τύποι χαρτιού κουζίνας μπορούν επίσης να δημιουργήσουν εκδορές ή σημάδια στις επιφάνειες της συσκευής.

### Φροντίδα εσωτερικού συσκευής

#### Σύστημα φίλτρων

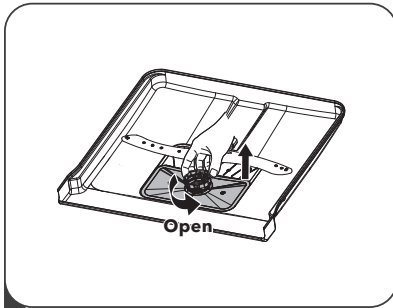
ο σύστημα φίλτρων που βρίσκεται στη βάση του θαλάμου πλύσης συγκρατεί τα χονδρόκοκκα υπολείμματα από τον κύκλο πλύσης, συμπεριλαμβανομένων ξένων σωμάτων όπως οδοντογλυφίδες ή διάφορα θραύσματα. Τυχόν συσσώρευση των χονδρόκοκκων υπολειμμάτων μπορεί να προκαλέσει έμφραξη των φίλτρων.

Ελέγχετε την κατάσταση των φίλτρων σε τακτά χρονικά διαστήματα, αφαιρείτε τυχόν ξένα σώματα και καθαρίζετε τα μέρη του συστήματος φίλτρων, εάν είναι απαραίτητο, με νερό. Ακολουθήστε τα παρακάτω βήματα για τον καθαρισμό του φίλτρου.

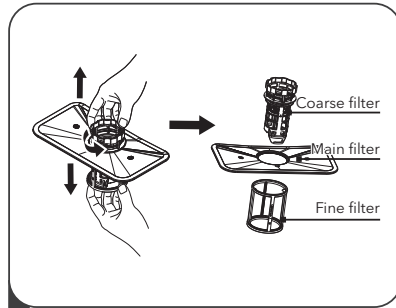


#### ΣΗΜΕΙΩΣΗ

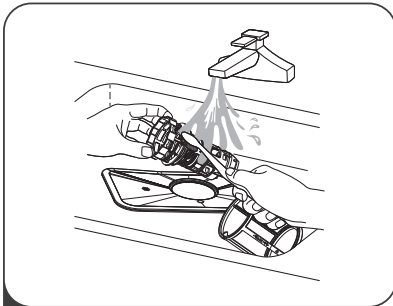
Οι εικόνες παρέχονται μόνο για αναφορά. Ενδέχεται να υπάρχουν διαφορές μεταξύ των διαφορετικών μοντέλων του συστήματος φίλτρων και των βραχιόνων ψεκασμού.



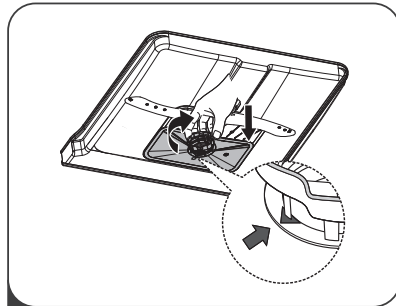
- 1** Hold the coarse filter and rotate it anticlockwise to unlock the filter. Lift the filter upwards and out of the dishwasher.



- 2** The fine filter can be pulled off the bottom of the filter assembly. The coarse filter can be detached from the main filter by gently squeezing the tabs at the top and pulling it away.



- 3** Larger food remnants can be cleaned by rinsing the filter under running water. For a more thorough clean, use a soft cleaning brush.



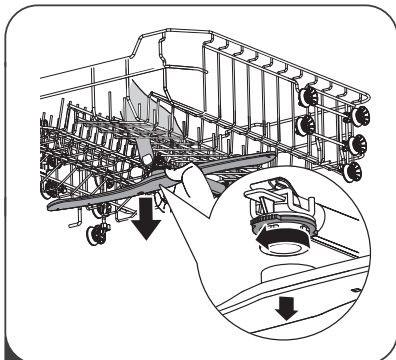
- 4** Reassemble the filters in the reverse order of the disassembly, replace the filter insert, and rotate clockwise to the close arrow.

### **ΠΡΟΕΙΔΟΠΟΙΗΣΗ!**

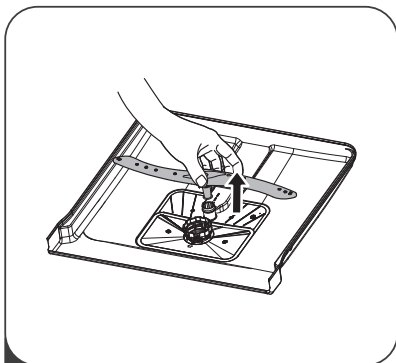
- Μη σφίγγετε υπερβολικά τα φίλτρα. Επανατοποθετήστε τα φίλτρα με τη σειρά στη θέση τους, διαφορετικά χονδρόκοκκα υπολείμματα ενδέχεται να εισχωρήσουν στο σύστημα και να προκαλέσουν έμφραξη.
- Μη χρησιμοποιείτε ΠΟΤΕ το πλυντήριο πιάτων χωρίς τα φίλτρα εγκατεστημένα. Η εσφαλμένη τοποθέτηση των φίλτρων μπορεί να μειώσει το επίπεδο απόδοσης της συσκευής και να προκαλέσει ζημιά στα πιάτα και τα σκεύη.

### **Βραχίονες ψεκασμού**

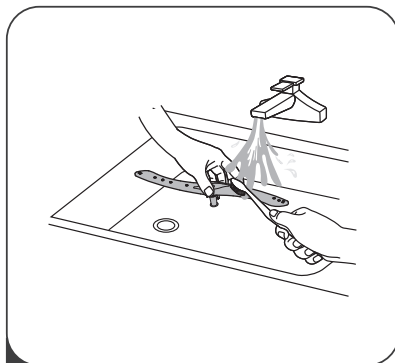
Πρέπει να καθαρίζετε τακτικά τους βραχίονες ψεκασμού, διαφορετικά τα χημικά του σκληρού νερού θα μπλοκάρουν τα ακροφύσια και τις εδράσεις των βραχιόνων ψεκασμού. Για τον καθαρισμό των βραχιόνων ψεκασμού, ακολουθήστε τις παρακάτω οδηγίες:



- 1** Για να αφαιρέσετε τον άνω βραχίονα ψεκασμού, κρατήστε σταθερό το παξιμάδι στο κέντρο και περιστρέψτε τον βραχίονα ψεκασμού αριστερόστροφα για να τον αφαιρέσετε.



**2** Για να αφαιρέσετε τον κάτω βραχίονα ψεκασμού, τραβήξτε τον προς τα πάνω.



**3** Πλύνετε τους βραχίονες με ζεστό νερό και σαπούνι και χρησιμοποιήστε μια μαλακή βούρτσα για να καθαρίσετε τα ακροφύσια. Επανατοποθετήστε τους αφού τους ξεπλύνετε καλά.

## Φροντίδα πλυντηρίου πιάτων

### Αντιπαγετική προστασία

Λάβετε μέτρα προστασίας του πλυντηρίου πιάτων από τον παγετό τους χειμερινούς μήνες. Μετά από κάθε κύκλο πλύσης, εκτελέστε τις ακόλουθες ενέργειες:

1. Διακόψτε την ηλεκτρική τροφοδοσία του πλυντηρίου πιάτων.
2. Κλείστε την παροχή νερού και αποσυνδέστε τον σωλήνα εισόδου νερού από τη βαλβίδα νερού.
3. Αποστραγγίστε το νερό από τον σωλήνα εισόδου και τη βαλβίδα νερού. (Χρησιμοποιήστε ένα σκεύος για να συγκεντρώσετε το νερό)
4. Συνδέστε ξανά τον σωλήνα εισόδου νερού στη βαλβίδα νερού.
5. Αφαιρέστε το φίλτρο που βρίσκεται στη βάση του θαλάμου και χρησιμοποιήστε ένα σφουγγάρι για να μαζέψετε το νερό.

### Μετά από κάθε πλύση

Μετά από κάθε πλύση, κλείστε την παροχή νερού της συσκευής και αφήστε την πόρτα για λίγο ανοιχτή, για να μην παγιδευτούν υγρασία και οσμές στο εσωτερικό της.

### Αφαιρείτε το φιλτράκι

Πριν από τον καθαρισμό ή την εκτέλεση συντήρησης, αφαιρείτε πάντοτε το φιλτράκι από την πρίζα.

Μη χρησιμοποιείτε διαλυτικά ή λιπαντικά καθαριστικά

Για τον καθαρισμό του εξωτερικού και των μερών από καουτσούκ του πλυντηρίου πιάτων, μη χρησιμοποιείτε διαλυτικά ούτε λιπαντικά καθαριστικά προϊόντα.

Χρησιμοποιήστε μόνο ένα πανί και ζεστό σαπούνι νερό.

Για να αφαιρέσετε κηλίδες ή λεκέδες από την επιφάνεια στο εσωτερικό της συσκευής, χρησιμοποιήστε ένα πανί βρεγμένο με νερό και λίγο ξύδι ή ένα ειδικό καθαριστικό για πλυντήρια πιάτων.

### Μακρά περίοδος μη λειτουργίας

Συνιστάται να εκτελέσετε έναν κύκλο πλύσης με το πλυντήριο πιάτων άδειο, κατόπιν να αποσυνδέσετε το φιλτράκι από την πρίζα, να κλείσετε την παροχή νερού και να αφήσετε την πόρτα της συσκευής λίγο ανοιχτή. Με τον τρόπο αυτό, τα λάστιχα στεγανοποίησης της πόρτας θα έχουν μεγαλύτερη διάρκεια ζωής και δεν θα αναπτυχθούν δυσάρεστες οσμές στο εσωτερικό της συσκευής.

### Μετακίνηση της συσκευής

Αν πρέπει να μεταφέρετε τη συσκευή, προσπαθήστε να την διατηρήσετε σε κατακόρυφη θέση. Αν είναι απολύτως απαραίτητο, μπορεί να στηριχθεί στο πίσω μέρος της.

### Λάστιχα στεγανοποίησης

Ένας από τους παράγοντες που ευθύνεται για την ανάπτυξη δυσάρεστων οσμών στο εσωτερικό του πλυντηρίου πιάτων είναι τα υπολείμματα τροφίμων που παραμένουν παγιδευμένα μέσα στα λάστιχα στεγανοποίησης. Ο τακτικός καθαρισμός τους με ένα ελαφρώς βρεγμένο σφουγγάρι αποτρέπει την ανάπτυξη τέτοιων οσμών.

# ΟΔΗΓΙΕΣ ΕΓΚΑΤΑΣΤΑΣΗΣ

## ΠΡΟΕΙΔΟΠΟΙΗΣΗ!



### Κίνδυνος για ηλεκτροπληξία

Διακόψτε την παροχή ρεύματος πριν από την εγκατάσταση του πλυντηρίου πιάτων. Σε αντίθετη περίπτωση, θα μπορούσε να προκληθεί θάνατος ή ηλεκτροπληξία.

## ΠΡΟΣΟΧΗ!

Η εγκατάσταση των σωλήνων και του ηλεκτρολογικού εξοπλισμού πρέπει να γίνεται από επαγγελματίες.

## Σύνδεση με την παροχή ρεύματος

## ΠΡΟΕΙΔΟΠΟΙΗΣΗ!

Για την προσωπική σας ασφάλεια:

- Μη χρησιμοποιείτε καλώδιο επέκτασης ή αντάπτορα φικς με αυτή τη συσκευή.
- Σε καμία περίπτωση μην κόβετε και μην αφαιρείτε τη γείωση του καλωδίου τροφοδοσίας.

### Ηλεκτρολογικές απαιτήσεις

Ανατρέξτε στην ετικέτα ονομαστικών στοιχείων για να μάθετε ποια είναι η ονομαστική τάση και συνδέστε το πλυντήριο πιάτων στην κατάλληλη παροχή ρεύματος. Χρησιμοποιήστε την απαιτούμενη ασφάλεια 10A/13A/16A, τη συνιστώμενη ασφάλεια χρονοκαυστήρησης ή τον διακόπτη κυκλώματος και δημιουργήστε ένα ξεχωριστό κύκλωμα που θα εξυπηρετεί μόνο αυτή τη συσκευή.

### Ηλεκτρική σύνδεση

Βεβαιωθείτε ότι η τάση και η συχνότητα του ρεύματος αντιστοιχούν με τις τιμές της ετικέτας ονομαστικών χαρακτηριστικών. Συνδέστε το φικς μόνο σε κατάλληλα γειωμένες πρίζες ρεύματος. Αν η ηλεκτρική πρίζα με την οποία πρέπει να συνδεθεί η συσκευή δεν είναι κατάλληλη για το φικς, αντικαταστήστε την πρίζα και μην χρησιμοποιείτε αντάπτορες, καθώς ενδέχεται να προκαλέσουν υπερθέρμανση και πυρκαγιά.

**⚠ Βεβαιωθείτε ότι υπάρχει κατάλληλη γείωση πριν από τη χρήση της συσκευής.**

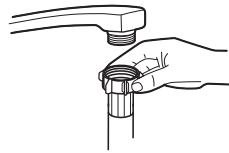
## Παροχή και αποστράγγιση νερού

### Σύνδεση κρύου νερού

Συνδέστε τον εύκαμπο σωλήνα παροχής κρύου νερού σε έναν βιδωτό σύνδεσμο 19mm και βεβαιωθείτε ότι είναι καλά σφικγμένος.

Αν οι σωλήνες νερού είναι καινούργιοι ή αν δεν έχουν χρησιμοποιηθεί για πολύ καιρό, αφήστε το νερό να τρέξει για να διασφαλίσετε ότι το νερό είναι καθαρό. Αυτή η προληπτική ενέργεια είναι απαραίτητη για να αποτραπεί ο κίνδυνος έμφραξης της εισόδου νερού και πρόκλησης ζημιάς στη συσκευή.

Συμβατικός εύκαμπος σωλήνας παροχής. Εύκαμπος σωλήνας ασφαλείας παροχής νερού



Ordinary supply hose



Safety supply hose

### Σχετικά με τον εύκαμπο σωλήνα ασφαλείας παροχής νερού

Ο εύκαμπος σωλήνας ασφαλείας παροχής νερού διαθέτει διπλό τοίχωμα. Το σύστημα του εύκαμπτου σωλήνα παρεμβάειν παρεμποδίζοντας τη ροή του νερού σε περίπτωση που ο εύκαμπος σωλήνας παροχής σπάσει όταν το κενό αέρα ανάμεσα σε αυτόν και τον εξωτερικό αυλακωτό εύκαμπο σωλήνα γεμίσει με νερό.

## ΠΡΟΕΙΔΟΠΟΙΗΣΗ!

Ένας εύκαμπος σωλήνας που προσαρτάται σε μια βρύση μπορεί να σπάσει, εάν εγκατασταθεί στην ίδια γραμμή παροχής νερού με το πλυντήριο πιάτων. Εάν υπάρχει ένας τέτοιος σωλήνας στον νεροχύτη, συνιστάται να τον αποσυνδέσετε και να τοποθετήσετε μια τάπα.

### Σύνδεση εύκαμπτου σωλήνα ασφαλείας παροχής νερού

1. Αφαιρέστε τελείως τους εύκαμπτους σωλήνες ασφαλείας παροχής νερού από τον χώρο αποθήκευσης που βρίσκεται στην πίσω πλευρά του πλυντηρίου πιάτων.
2. Βιδώστε καλά τον εύκαμπο σωλήνα ασφαλείας παροχής νερού στη βρύση με σπειρωμα 19 mm.
3. Ανοίξτε τελείως τη βρύση προτού θέσετε το πλυντήριο σε λειτουργία.

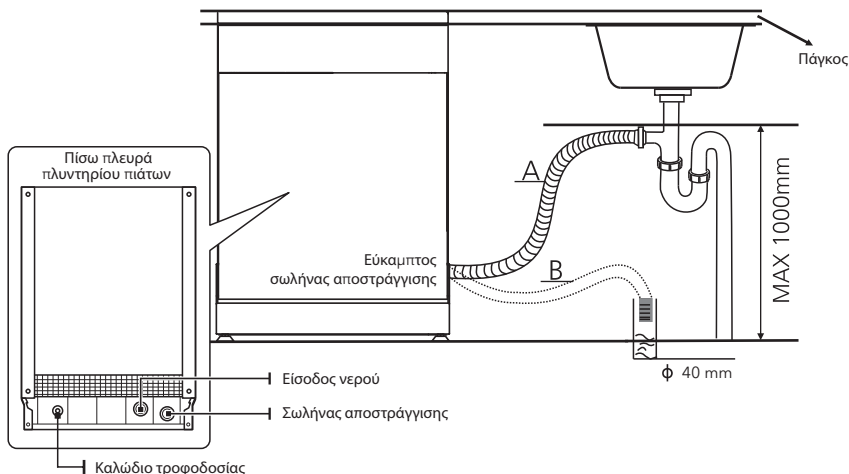
### Αποσύνδεση εύκαμπτου σωλήνα ασφαλείας παροχής νερού

1. Κλείστε την παροχή του νερού.
2. Ξεβιδώστε τον εύκαμπο σωλήνα ασφαλείας παροχής νερού από τη βρύση. Σύνδεση εύκαμπτων σωληνών αποστράγγισης

## Σύνδεση εύκαμπτων σωληνών αποστράγγισης

Εισαγάγετε τον εύκαμπο σωλήνα αποστράγγισης στον σωλήνα αποστράγγισης ελάχιστης διαμέτρου 4 cm ή εγκαταστήστε τον ώστε να καταλήγει στο σιφόνι του νεροχύτη, φροντίζοντας να μην είναι λυγισμένος ή συστραμμένος. Το ύψος του σωλήνα αποστράγγισης πρέπει να είναι μικρότερο από 1000mm. Το ελεύθερο άκρο του εύκαμπτου σωλήνα δεν πρέπει να εμβυθίζεται σε νερό προς αποφυγή επιστροφής του νερού.

⚠ Συνδέστε καλά τον σωλήνα αποστράγγισης είτε στη θέση A είτε στη θέση B.



### Αποστράγγιση περίσσειας νερού από τους εύκαμπτους σωλήνες

Εάν η σύνδεση με τον σωλήνα αποστράγγισης πραγματοποιείται σε ύψος μεγαλύτερο από 1000 mm από το κάτω μέρος της συσκευής, η περίσσεια ποσότητα νερού ενδέχεται να παραμείνει στο εσωτερικό του εύκαμπτου σωλήνα αποστράγγισης. Η περίσσεια ποσότητα νερού θα πρέπει να αποστραγγίζεται σε ένα μολ ή άλλον κατάλληλο περιέκτη που τοποθετείται εξωτερικά και χαμηλότερα του νεροχύτη.

### Στόμιο εξόδου νερού

Συνδέστε τον εύκαμπο σωλήνα αποστράγγισης νερού. Ο σωλήνας αποστράγγισης πρέπει να τοποθετηθεί σωστά, για να αποφευχθούν διαρροές νερού. Βεβαιωθείτε ότι ο σωλήνας αποστράγγισης νερού δεν είναι συστραμμένος ή συμπιεσμένος.

### Εύκαμπος σωλήνας επέκτασης

Αν χρειάζεστε επέκταση του εύκαμπτου σωλήνα αποστράγγισης, φροντίστε να χρησιμοποιήσετε έναν παρόμοιο εύκαμπο σωλήνα αποστράγγισης.

Δεν πρέπει να έχει μήκος άνω των 4 μέτρων, διαφορετικά η καθαριστική δράση του πλυντηρίου πιάτων ενδέχεται να μειωθεί.

### Σύνδεση σιφονιού

Η σύνδεση της γραμμής εκροής αποβλήτων πρέπει να γίνεται σε ύψος έως 100 cm (το πολύ) από το κάτω μέρος του πλυντηρίου πιάτων.



## Τοποθέτηση της συσκευής

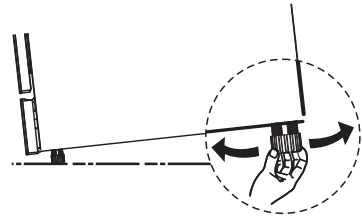
Τοποθετήστε τη συσκευή στην επιθυμητή θέση. Το πίσω μέρος της πρέπει να ακουμπάει στον τοίχο που υπάρχει πίσω της και τα πλαϊνά στα διπλανά ντουλάπια ή τους τοίχους. Το πλυντήριο πιάτων διαθέτει εύκαμπτους σωλήνες παροχής και αποστράγγισης νερού, οι οποίοι μπορούν να τοποθετηθούν δεξιά ή αριστερά, για να διευκολύνουν τη σωστή εγκατάσταση.

### Οριζοντίωση της συσκευής

Για την οριζοντίωση της συσκευής μετά την τοποθέτησή της, το ύψος του πλυντηρίου πιάτων μπορεί να τροποποιηθεί ρυθμίζοντας το ύψος των βιδωτών ποδιών. Σε κάθε περίπτωση, η συσκευή δεν θα πρέπει να έχει κλίση μεγαλύτερη από 2°.

### ΣΗΜΕΙΩΣΗ

Ισχύει μόνο για συσκευές πλυντηρίου πιάτων ανεξάρτητης εγκατάστασης.

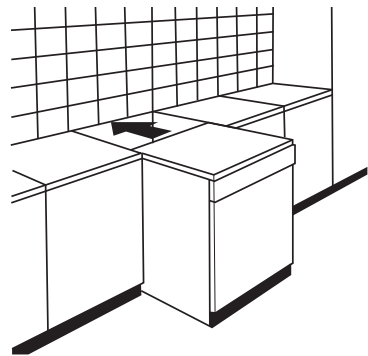


## Ανεξάρτητη εγκατάσταση

### Τοποθέτηση μεταξύ υφιστάμενων ντουλαπιών

Το ύψος του πλυντηρίου πιάτων, 845 mm, επιτρέπει την τοποθέτηση της συσκευής ανάμεσα σε υφιστάμενα ντουλάπια ίδιου ύψους σε σύγχρονες κουζίνες. Τα πόδια μπορούν να ρυθμιστούν έτσι ώστε να εξασφαλιστεί το σωστό ύψος.

Η επενδεδυμένη με μελαμίνη επάνω πλευρά της συσκευής δεν απαιτεί ιδιαίτερη φροντίδα, καθώς είναι ανθεκτική στη θερμότητα και στη δημιουργία εκδορών και λεκέδων.



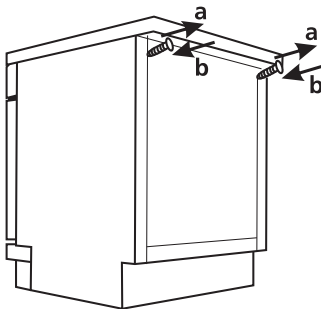
### Κάτω από υφιστάμενο πάγκο εργασίας

(τοποθέτηση κάτω από πάγκο εργασίας)

Στις περισσότερες σύγχρονες κουζίνες, υπάρχει μόνο ένας πάγκος εργασίας κάτω από τον οποίο ενσωματώνονται τα ντουλάπια και οι ηλεκτρικές συσκευές. Σε αυτή την περίπτωση, αφαιρέστε το επάνω κάλυμμα του πλυντηρίου πιάτων ξεβιδώνοντας τις βίδες που βρίσκονται στην πίσω πλευρά του καλύμματος (α).

### ΠΡΟΣΟΧΗ!

Μετά την αφαίρεση του επάνω καλύμματος, οι βίδες πρέπει να βιδωθούν ξανά κάτω από την πίσω πλευρά του καλύμματος (β). Το ύψος της συσκευής μειώνεται, έτσι, στα 815 mm, όπως ορίζεται από τους Διεθνείς Κανονισμούς (ISO) και το πλυντήριο πιάτων εφαρμόζει τέλεια κάτω από τον πάγκο εργασίας της κουζίνας.

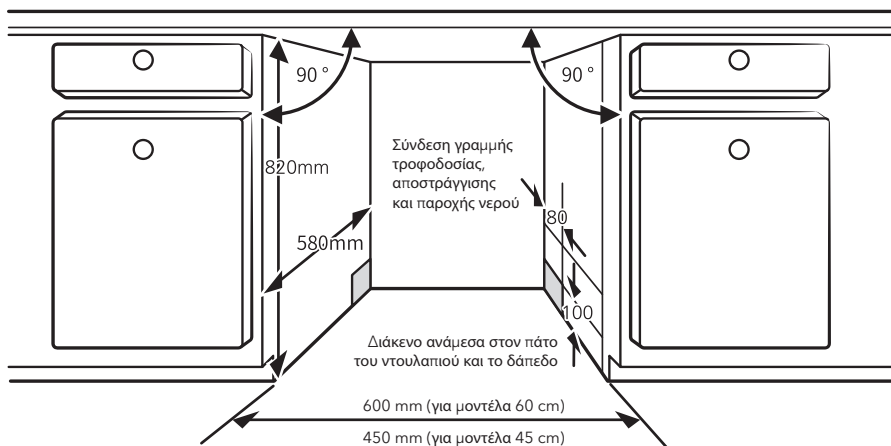


## Εντοιχισμένη εγκατάσταση (για το εντοιχιζόμενο μοντέλο)

### Βήμα 1. Επιλογή βέλτιστης θέσης για την εγκατάσταση του πλυντηρίου πιάτων

Η θέση εγκατάστασης του πλυντηρίου πιάτων θα πρέπει να βρίσκεται κοντά στους υφιστάμενους εύκαμπτους σωλήνες εισόδου και αποστράγγισης νερού και στην πρίζα ρεύματος. Απεικονίσεις των διαστάσεων των ντουλαπιών και θέση εγκατάστασης του πλυντηρίου πιάτων

1. Απόσταση μικρότερη από 5 mm ανάμεσα στην επάνω πλευρά του πλυντηρίου πιάτων και του ντουλαπιού και του ντουλαπιού και της εξωτερικής πόρτας με την πόρτα του ντουλαπιού.



2. Εάν το πλυντήριο πιάτων εγκατασταθεί στην άκρη του ντουλαπιού, θα πρέπει να υπάρχει χώρος ώστε η πόρτα να μπορεί να ανοίξει.

### ΣΗΜΕΙΩΣΗ

Ανάλογα με τη θέση της ηλεκτρικής πρίζας, ενδέχεται να χρειαστεί να ανοίξετε μια τρύπα στην αντίθετη πλευρά του ντουλαπιού.

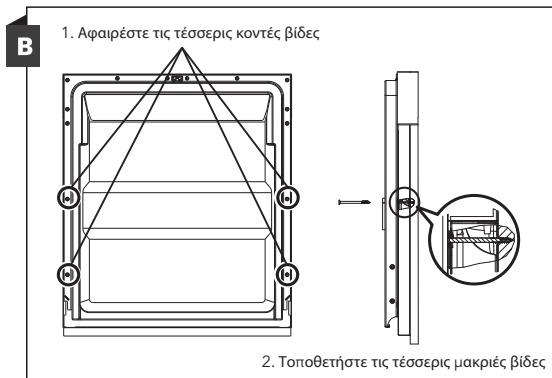
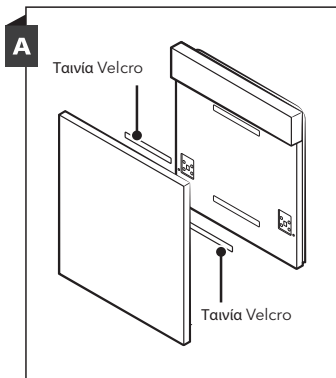
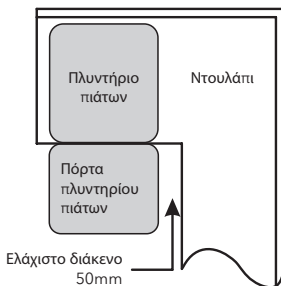
### Βήμα 2. Διαστάσεις και εγκατάσταση διακοσμητικού πλαισίου

### ΣΗΜΕΙΩΣΗ

Το διακοσμητικό ξύλινο πλαίσιο θα μπορούσε να υποστεί επεξεργασία σύμφωνα με τα σχέδια εγκατάστασης.

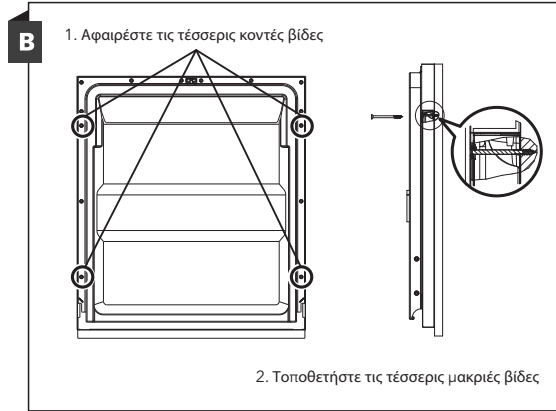
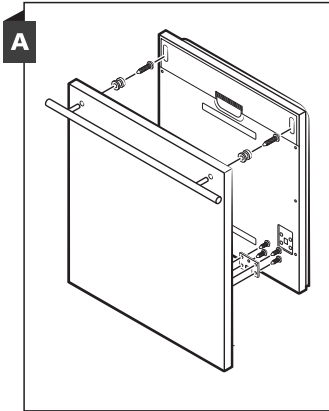
### Ημι-εντοιχιζόμενο μοντέλο

Διαχωρίστε την ταινία velcro A από την ταινία velcro B και επικολλήστε την A στην εσωτερική πλευρά του διακοσμητικού πλαισίου. Εφαρμόστε την ταινία B στην εξωτερική πόρτα του πλυντηρίου πιάτων (Σχήμα A). Μετά την τοποθέτηση του πλαισίου, βιδώστε το πλαίσιο επάνω στην εξωτερική πόρτα χρησιμοποιώντας βίδες και τα μπουλόνια (βλ. Σχήμα B).



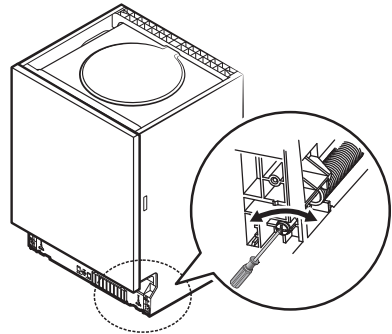
### Πλήρως εντοιχιζόμενο μοντέλο

Τοποθετήστε το άγκιστρο στο διακοσμητικό ξύλινο πλαίσιο και κατόπιν εισαγάγετέ το στην υποδοχή της εξωτερικής πόρτας του πλυντηρίου πιάτων (βλ. Σχήμα Α). Μετά την τοποθέτηση του πλαισίου, βιδώστε το πλαίσιο επάνω στην εξωτερική πόρτα χρησιμοποιώντας βίδες και τα μπουλόνια (βλ. Σχήμα Β).



### Βήμα 3. Ρύθμιση τάσης εργασίας ελατηρίων πόρτας

1. Τα ελατήρια της πόρτας έχουν ρυθμιστεί εκ του εργοστασίου στην κατάλληλη τάση εργασίας για τη λειτουργία της εξωτερικής πόρτας. Σε περίπτωση εγκατάστασης ενός διακοσμητικού ξύλινου πλαισίου, θα πρέπει να ρυθμίσετε την τάση εργασίας των ελατηρίων της πόρτας. Περιστρέψτε τη ρυθμιστική βίδα έτσι ώστε ο προσαρμογέας να τεντώσει ή να χαλαρώσει το χαλύβδινο καλώδιο.
2. Η τάση εργασίας των ελατηρίων της πόρτας είναι σωστή όταν η πόρτα διατηρείται οριζόντια σε πλήρως ανοιχτή θέση, αλλά μπορεί να κλείσει εύκολα με μία μόνο κίνηση.

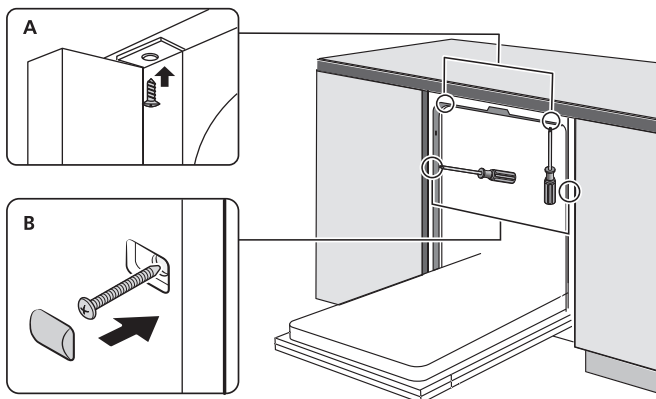


### Βήμα 4. Βήματα εγκατάστασης πλυντηρίου πιάτων

#### ΣΗΜΕΙΩΣΗ

Ανατρέξτε στα βήματα εγκατάστασης που απεικονίζονται στα σχέδια εγκατάστασης.

1. Τοποθετήστε την αντισυμπυκνωτική ταινία στην κάτω πλευρά της επιφάνειας εργασίας του πάγκου. Βεβαιωθείτε ότι η αντισυμπυκνωτική ταινία εφάπτεται πλήρως στην άκρη της επιφάνειας εργασίας. (Βήμα 2)
2. Συνδέστε τον εύκαμπτο σωλήνα εισόδου στη γραμμική παροχή κρύου νερού.
3. Συνδέστε τον σωλήνα αποστράγγισης.
4. Συνδέστε το καλώδιο τροφοδοσίας.
5. Τοποθετήστε το πλυντήριο πιάτων μέσα στο ντουλάπι.
6. Οριζοντίωση του πλυντηρίου πιάτων. Τα πίσω πόδια μπορούν να ρυθμιστούν από την μπροστινή πλευρά του πλυντηρίου πιάτων περιστρέφοντας τη βίδα Philips που βρίσκεται στο μέσο της βάσης του πλυντηρίου πιάτων. Χρησιμοποιήστε ένα κατασβίδι Philips. Για να ρυθμίσετε τα μπροστινά πόδια, χρησιμοποιήστε ένα κατασβίδι με επίπεδη μύτη και περιστρέψτε τα μέχρι το πλυντήριο πιάτων να είναι επίπεδο. (Βήματα 5 έως 6)
7. Τοποθετήστε την πόρτα του επίπλου στην εξωτερική πόρτα του πλυντηρίου πιάτων. (Βήματα 7 έως 10)
8. Ρυθμίστε την τάση εργασίας των ελατηρίων της πόρτας με ένα κατασβίδι Philips το οποίο θα περιστρέψετε δεξιόστροφα για να σφίξετε τα ελατήρια στην αριστερή και στη δεξιά πλευρά της πόρτας. Σε περίπτωση μη εκτέλεσης αυτού του βήματος, ενδέχεται να προκληθεί ζημιά στο πλυντήριο πιάτων σας. (Βήμα 11)



1. Το πλυντήριο πιάτων πρέπει να ασφαλίσει στη θέση του. Αυτό μπορεί να γίνει με δύο τρόπους:

A.Κανονική επιφάνεια εργασίας: Εισαγάγετε το άγκιστρο στην υποδοχή του πλευρικού πλαισίου και σταθεροποιήστε το στην επιφάνεια εργασίας με τις βίδες.

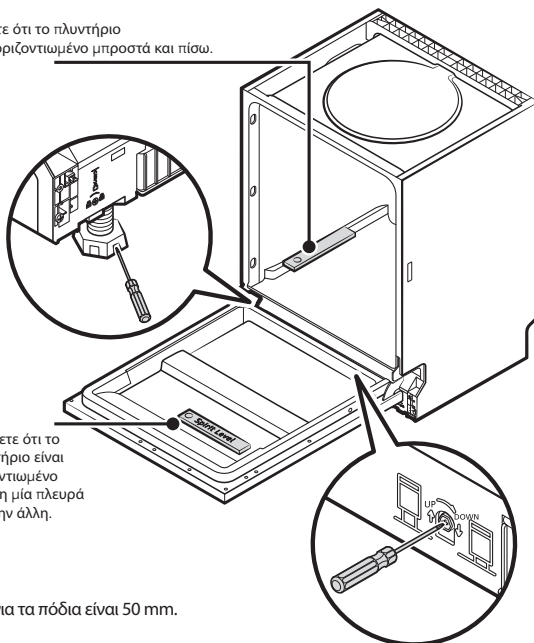
B.Πάγκος εργασίας από μάρμαρο ή γρανίτη: Βιδώστε το πλευρικό πλαίσιο.

#### Βήμα 5. Αλφάδιασμα πλυντηρίου πιάτων

Το πλυντήριο πιάτων πρέπει να είναι οριζοντιωμένο προκειμένου να εξασφαλιστούν η σωστή λειτουργία των ραφιών και η καλή απόδοση πλύσης.

1. Τοποθετήστε ένα αλφάδι στην πόρτα και τους οδηγούς των ραφιών στο εσωτερικό του θαλάμου όπως απεικονίζεται για να ελέγξετε εάν το πλυντήριο πιάτων είναι οριζοντιωμένο.
2. Οριζοντιώστε το πλυντήριο πιάτων ρυθμίζοντας το καθένα από τα τρία πόδια οριζοντίωσης ξεχωριστά.
3. Κατά τη διαδικασία οριζοντίωσης του πλυντηρίου πιάτων, προσέξτε το πλυντήριο πιάτων να μην ανατραπεί προς τα εμπρός.

Ελέγξτε ότι το πλυντήριο είναι οριζοντιωμένο μπροστά και πίσω.



Ελέγξτε ότι το πλυντήριο είναι οριζοντιωμένο από τη μία πλευρά έως την άλλη.

#### ΣΗΜΕΙΩΣΗ

Το μέγιστο ρυθμιζόμενο ύψος για τα πόδια είναι 50 mm.

# ΣΥΜΒΟΥΛΕΣ ΑΝΤΙΜΕΤΩΠΙΣΗΣ ΠΡΟΒΛΗΜΑΤΩΝ

## Προτού καλέσετε το Τμήμα Σέρβις

Ανατρέξτε στους πίνακες που παρατίθενται στις επόμενες σελίδες. Μπορεί να μη χρειαστεί να απευθυνθείτε στην τεχνική υποστήριξη.

Πρόβλημα	Πιθανές αιτίες	Τι να κάνετε
Το πλυντήριο πιάτων δεν ξεκινά	Έχει καεί η ασφάλεια ή ο ασφαλειοδιακόπτης έχει απενεργοποιηθεί.	Αντικαταστήστε την ασφάλεια ή ενεργοποιήστε τον διακόπτη. Βγάλτε από την πρίζα άλλες συσκευές που μπορεί να μοιράζονται το ίδιο κύκλωμα με το πλυντήριο πιάτων.
	Η παροχή ρεύματος είναι κλειστή.	Βεβαιωθείτε ότι το πλυντήριο πιάτων έχει ενεργοποιηθεί και ότι η πόρτα είναι καλά κλεισμένη. Βεβαιωθείτε ότι το φως του καλωδίου τροφοδοσίας είναι σωστά τοποθετημένο μέσα στην πρίζα.
	Η πίεση του νερού είναι χαμηλή	Βεβαιωθείτε ότι η παροχή νερού είναι σωστά συνδεδεμένη και ότι η βρύση είναι ανοιχτή.
	Η πόρτα του πλυντηρίου πιάτων δεν έχει κλείσει καλά.	Κλείστε καλά την πόρτα και ασφαλίστε την.
Το νερό δεν αντλείται από το πλυντήριο πιάτων	Συστραμμένος ή εγκλωβισμένος εύκαμπτος σωλήνας αποστράγγισης.	Ελέγξτε τον εύκαμπο σωλήνα αποστράγγισης.
	Φραγμένο φίλτρο	Ελέγξτε το σύστημα φίλτρων.
Αφρός στον θάλαμο του πλυντηρίου	Φραγμένος νεροχύτης.	Ελέγξτε τον νεροχύτη για να βεβαιωθείτε ότι το νερό αποστραγγίζεται καλά. Αν το πρόβλημα εντοπίζεται στην αποστράγγιση του νεροχύτη, ενδέχεται να χρειάζεστε υδραυλικό και όχι τεχνικό για το πλυντήριο πιάτων.
	Ακατάλληλο απορρυπαντικό.	Χρησιμοποιείτε μόνο ειδικό απορρυπαντικό για πλυντήριο πιάτων για να αποφύγετε τη δημιουργία αφρού. Αν συμβεί αυτό, ανοίξτε το πλυντήριο πιάτων και αφήστε τον αφρό να εξαπμιστεί. Προσθέστε περίπου 1 λίτρο κρύο νερό στη βάση του θαλάμου πλύσης. Κλείστε την πόρτα του πλυντηρίου πιάτων. Κατόπιν, επιλέξτε έναν οποιοδήποτε κύκλο. Αρχικά, το νερό θα αποστραγγιστεί από το πλυντήριο πιάτων. Ανοίξτε την πόρτα μετά την αποστράγγιση για να ελέγξετε αν έχει εξαφανιστεί ο αφρός. Επαναλάβετε εάν είναι απαραίτητο.
Λεκέδες στο εσωτερικό του θαλάμου	Έχει χυθεί λαμπруντικό.	Να καθαρίζετε πάντα αμέσως τυχόν λαμπруντικό που έχει χυθεί.
	Μπορεί να χρησιμοποιήθηκε απορρυπαντικό με χρωστικές.	Βεβαιωθείτε ότι το απορρυπαντικό σας δεν περιέχει χρωστικές.
Λευκή στρώση στην εσωτερική επιφάνεια της συσκευής	Χρήση σκληρού νερού.	Για να καθαρίσετε το εσωτερικό, χρησιμοποιήστε ένα νωπό μαλακό πανί εμποτισμένο με απορρυπαντικό πλυντηρίου πιάτων και φορέστε γάντια από ελαστικό λάτεξ. Μη χρησιμοποιείτε ποτέ κανένα άλλο καθαριστικό εκτός από απορρυπαντικό πλυντηρίου πιάτων. Σε αντίθετη περίπτωση, μπορεί να δημιουργηθεί αφρός.

Πρόβλημα	Πιθανές αιτίες	Τι να κάνετε
Τα μαχαίροπύρινα έχουν λεκέδες από σκουριά	Τα επηρεαζόμενα αντικείμενα δεν είναι ανοξείδωτα.	Αποφύγετε το πλύσιμο αντικειμένων που δεν είναι ανοξείδωτα σε πλυντήριο πιάτων.
	Δεν εκτελέστηκε κάποιο πρόγραμμα μετά την προσθήκη αλατιού στο πλυντήριο. Έχουν εισέλθει ίχνη αλατιού στον κύκλο πλύσης.	Εκτελείτε πάντοτε ένα πρόγραμμα πλύσης χωρίς πιατικά μετά την προσθήκη αλατιού στο πλυντήριο. Μην επιλέγετε τη λειτουργία Turbo (αν υπάρχει), μετά την προσθήκη αλατιού στο πλυντήριο.
	Το καπάκι του αποσκληρυντή είναι χαλαρό.	Βεβαιωθείτε ότι το καπάκι του αποσκληρυντή έχει ασφαλίσει στη θέση του.
Ήχος χτυπήματος στο εσωτερικό του πλυντηρίου πιάτων	Ένας βραχιόνας ψεκασμού προσκρούει σε κάποιο αντικείμενο που υπάρχει στο καλάθι	Διακόψτε το πρόγραμμα και τακτοποιήστε ξανά τα αντικείμενα που παρεμποδίζουν τον βραχιόνα ψεκασμού.
Ήχος κροταλισματος στο εσωτερικό του πλυντηρίου πιάτων	Τα επιτραπέζια σκεύη δεν έχουν τοποθετηθεί καλά μέσα στον θάλαμο πλύσης.	Διακόψτε το πρόγραμμα και τακτοποιήστε ξανά τα επιτραπέζια σκεύη.
Ήχος χτυπήματος στους σωλήνες νερού	Μπορεί να οφείλεται στην επιτόπια εγκατάσταση ή στη σύνδεση των σωλήνων.	Δεν επηρεάζει τη λειτουργία του πλυντηρίου πιάτων. Αν έχετε οποιαδήποτε αμφιβολία, επικοινωνήστε με έναν εξειδικευμένο υδραυλικό.
Τα πιάτα δεν είναι καθαρά	Τα πιάτα δεν τοποθετήθηκαν σωστά.	Δείτε τις σημειώσεις στην ενότητα «Φόρτωση και άδειασμα πλυντηρίου πιάτων».
	Το πρόγραμμα πλύσης δεν ήταν αρκετά ισχυρό.	Επιλέξτε ένα πρόγραμμα πιο εντατικής πλύσης.
	Δεν διατέθηκε αρκετή ποσότητα απορρυπαντικού για το πρόγραμμα πλύσης.	Χρησιμοποιήστε περισσότερο απορρυπαντικό ή αλλάξτε το απορρυπαντικό σας.
	Αντικείμενα μπλοκάρουν τη διαδρομή των βραχιόνων ψεκασμού.	Τακτοποιήστε ξανά τα αντικείμενα, ώστε ο βραχιόνας να μπορεί να περιστρέφεται απρόσκοπτα.
	Το συγκρότημα φίλτρων στη βάση του θαλάμου πλύσης δεν είναι καθαρό ή δεν έχει τοποθετηθεί σωστά. Αυτό μπορεί να προκαλέσει μπλοκάρισμα των ακροφυσίων των βραχιόνων ψεκασμού.	Καθαρίστε και τοποθετήστε σωστά το φίλτρο. Καθαρίστε τα ακροφύσια των βραχιόνων ψεκασμού.
Τα ποτήρια είναι θολά.	Συνδυασμός μαλακού νερού και υπερβολικής ποσότητας απορρυπαντικού.	Χρησιμοποιήστε λιγότερο απορρυπαντικό αν το νερό σας είναι μαλακό και επιλέξτε ένα πιο σύντομο πρόγραμμα για να πλύνετε τα ποτήρια, για να καθαρίσουν καλά.
Λευκοί λεκέδες στα πιάτα και στα ποτήρια.	Το σκληρό νερό μπορεί να οδηγήσει στη δημιουργία επικαθισμών αλάτων.	Ελέγξτε τις ρυθμίσεις του αποσκληρυντή ή την κατάσταση πλήρωσης του δοχείου αλατιού.
Μαύρα ή γκριζα στίγματα στα πιάτα	Σκεύη από αλουμίνιο έχουν τριφτεί επάνω στα πιάτα	Χρησιμοποιήστε απαλό λειαντικό καθαριστικό για να αφαιρέσετε τα στίγματα.
Υπολείμματα απορρυπαντικού στη θήκη	Τα πιάτα εμποδίζουν τη θήκη του απορρυπαντικού	Φορτώστε ξανά τα πιάτα σωστά.
Τα πιάτα δεν στεγνώνουν	Ακατάλληλη φόρτωση	Χρησιμοποιήστε γάντια αν υπάρχουν υπολείμματα απορρυπαντικού πάνω στα πιάτα, προκειμένου να αποφύγετε τυχόν ερεθισμούς του δέρματος.
	Τα πιάτα αφαιρέθηκαν πολύ νωρίς	Μην αδειάζετε το πλυντήριο σας αμέσως μετά την πλύση. Ανοίξτε ελαφρώς την πόρτα, για να διαφύγει ο ατμός. Αρχίστε να ξεφορτώνετε το πλυντήριο μόνο μόλις τα πιάτα είναι χλιαρά στην αφή. Αδειάστε πρώτα το κάτω καλάθι. Με τον τρόπο αυτό δεν θα στάξει νερό από το επάνω καλάθι.

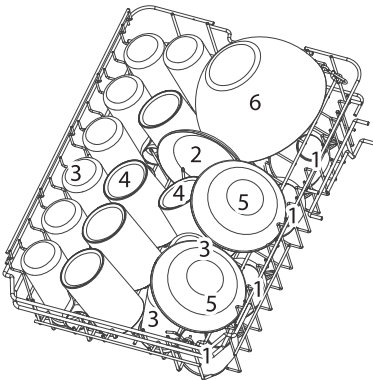
Πρόβλημα	Πιθανές αιτίες	Τι να κάνετε
Τα πιάτα δεν στεγνώνουν	Έχει επιλεγεί λάθος πρόγραμμα.	Στο σύντομο πρόγραμμα, η θερμοκρασία πλύσης είναι μικρότερη και η καθαριστική απόδοση μειώνεται. Επιλέξτε ένα πρόγραμμα πλύσης μεγάλης διάρκειας.
	Χρήση μαχαιροπίρουνων με επένδυση χαμηλής ποιότητας.	Το νερό στραγγίζει δυσκολότερα από αυτά τα είδη. Μαχαιροπίρουνα και πιάτα τέτοιου είδους δεν είναι κατάλληλα για πλύσιμο στο πλυντήριο πιάτων.

**ΠΡΟΕΙΔΟΠΟΙΗΣΗ!**

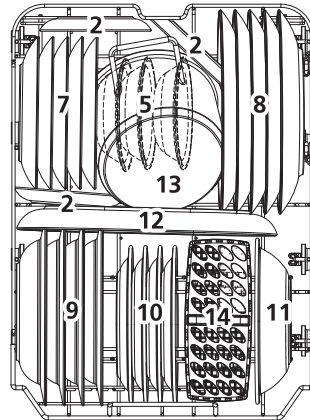
Η εκτέλεση επισκευαστικών εργασιών από τον ίδιο τον χρήστη ή από μη εξειδικευμένο επαγγελματία ενέχει σοβαρούς κινδύνους για την ασφάλεια του χρήστη της συσκευής και ενδέχεται να επηρεάσει την εγκυρότητα της εγγύησης.

## ΦΟΡΤΩΣΗ ΤΩΝ ΚΑΛΑΘΙΩΝ ΣΥΜΦΩΝΑ ΜΕ ΤΟ EN60436

Η φόρτωση του πλυντηρίου πιάτων αξιοποιώντας την πλήρη χωρητικότητά του συμβάλλει στην εξοικονόμηση ενέργειας και νερού.

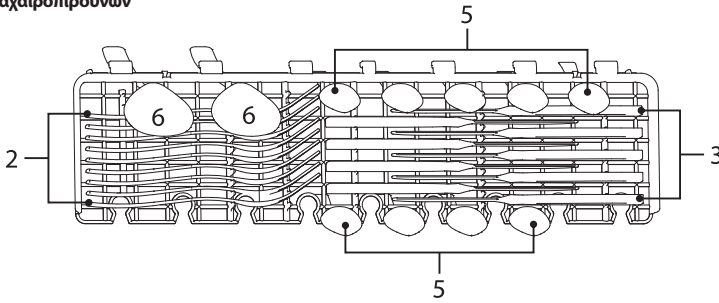
**1. Επάνω καλάθι**

Αριθμό	Αντικείμενο
1	Φλιτζάνια
2	Πιατάκια
3	Ποτήρια
4	Κούπες
5	Μπολ επιδόρπιο
6	Γυάλινο μπολ

**2. Κάτω καλάθι**

Αριθμό	Αντικείμενο
7	Πιάτα επιδόρπιο
8	Μεγάλα πιάτα
9	Βαθιά πιάτα
10	Πιάτα επιδόρπιο από μελαμίνη
11	Μπολ από μελαμίνη
12	Οβάλ πιατέλα
13	Μικρή κατσαρόλα
14	Καλάθι μαχαιροπίρουνων

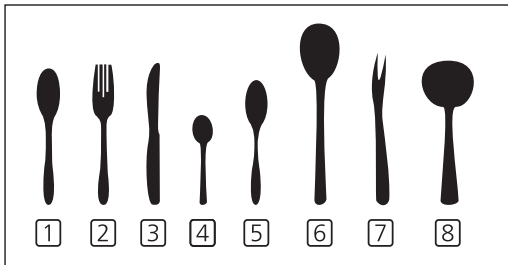
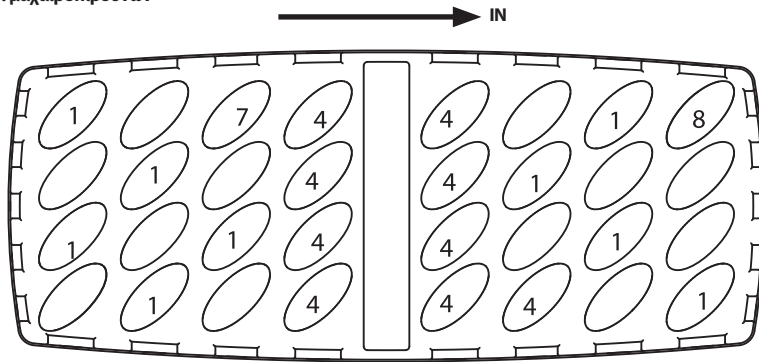
**3. Ράφι μαχαροπύρουνων**



**ΣΗΜΕΙΩΣΗ**

Τοποθετήστε τα ελαφριά, επίπεδα είδη στο ράφι. Το μέγιστο βάρος φόρτωσης είναι 1,5 kg.

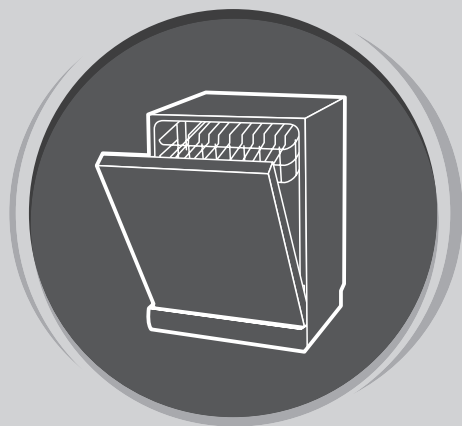
**4. Καλάθι μαχαροπύρουνων**



Αριθμός	Αντικείμενο
1	Κουτάλια της σούπας
2	Πιρούνια
3	Μαχαίρια
4	Κουταλάκια τσαγιού
5	Κουταλάκια του γλυκού
6	Κουταλάκια σερβιρίσματος
7	Πιρούνια σερβιρίσματος
8	Κουτάλες σάλτσας

Πληροφορίες για συγκριτικές δοκιμές σύμφωνα με το EN60436 Δυναμικότητα: 9 σερβίτσια φαγητού  
 Θέση επάνω καλάθιού: κατώτερη θέση Πρόγραμμα: ECO  
 Ρύθμιση λαμπρυντικού: MAX (ΜΕΓ.) Ρύθμιση αποσκληρυντή: H3





# ΠΛΥΝΤΗΡΙΟ ΠΙΑΤΩΝ

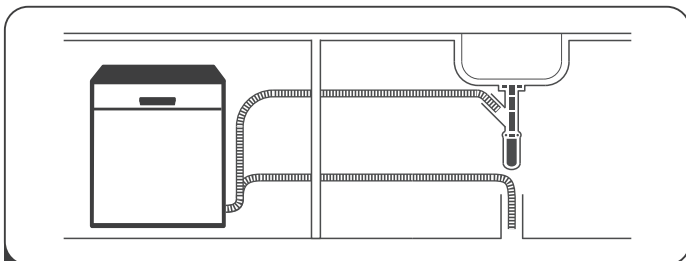
Εγχειρίδιο χρήσης

**ΜΕΡΟΣ II: ΕΙΔΙΚΗ ΕΚΔΟΣΗ  
WDI461M**

Πριν χρησιμοποιήσετε το πλυντήριο πιάτων, διαβάστε προσεκτικά αυτό το εγχειρίδιο και φυλάξτε το για μελλοντική αναφορά.

# ΣΥΝΤΟΜΟΣ ΟΔΗΓΟΣ ΧΡΗΣΗΣ

Διαβάστε το σχετικό περιεχόμενο στο εγχειρίδιο λειτουργίας για αναλυτικές πληροφορίες σχετικά με τη μέθοδο λειτουργίας

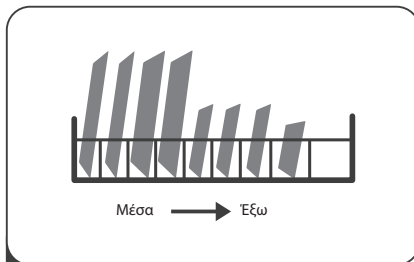


## 1 Εγκατάσταση πλυντηρίου πιάτων

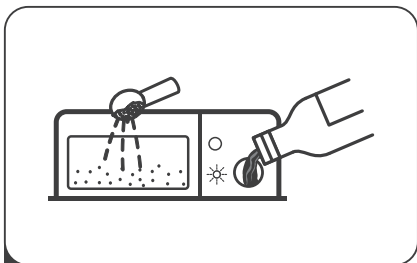
(Ανατρέξτε στην ενότητα 5 «ΟΔΗΓΙΕΣ ΕΓΚΑΤΑΣΤΑΣΗΣ» του ΜΕΡΟΥΣ Ι: Γενική έκδοση.)



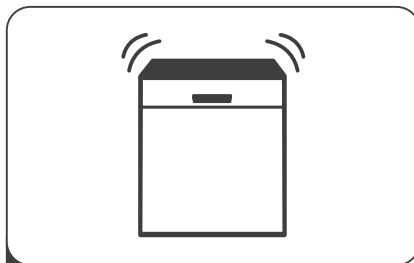
## 2 Αφαιρέστε τα μεγαλύτερα υπολείμματα τροφών από τα πιάτα. Αποφύγετε την πρόπλυση των σκευών.



## 3 Load the baskets



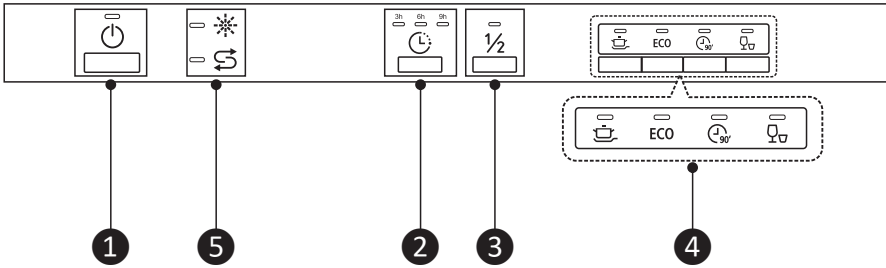
## 4 Γεμίστε τη θήκη με απορρυπαντικό και λαμπρυντικό.



## 5 Επιλέξτε ένα κατάλληλο πρόγραμμα και θέστε το πλυντήριο πιάτων σε λειτουργία.

# ΧΡΗΣΗ ΠΛΥΝΤΗΡΙΟΥ ΠΙΑΤΩΝ

## Πίνακας χειρισμού




### Λειτουργία (Κουμπί)


- 1 **Ισχύς** Πατήστε αυτό το κουμπί για να ενεργοποιήσετε το πλυντήριο πιάτων σας. Η οθόνη ανάβει.
- 2 **Χρονοκαθυστέρηση** Πατήστε το κουμπί για να ρυθμίσετε τη χρονοκαθυστέρηση.  
Μπορείτε να επιλέξετε αυτή τη λειτουργία για να εξοικονομήσετε ενέργεια και νερό, όταν έχετε περίπου τα μισά ή και λιγότερα σερβίτσια για πλύσιμο από αυτά που χωράνε στη συσκευή. (Μπορεί να χρησιμοποιηθεί μόνο με το εντατικό πρόγραμμα, το οικολογικό πρόγραμμα ECO και το πρόγραμμα 90 min.)
- 3 **Μισό φορτίο**


- 4 **Πρόγραμμα**

Επιλέξτε το κατάλληλο πρόγραμμα πλύσης. Η ενδεικτική λυχνία του επιλεγμένου προγράμματος θα ανάψει.

 **Εντατικό**  
Για πολύ λερωμένα σκεύη, όπως κατασαρόλες και τηγάνια. Με ξεραμένα υπολείμματα τροφών.



**ECO**  
Τυπικό πρόγραμμα κατάλληλο για το πλύσιμο φυσιολογικά λερωμένων ειδών όπως κατασαρόλες, πιάτα, ποτήρια και ελαφρώς λερωμένα τηγάνια.


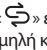
 **90 λεπτά**  
Για φυσιολογικά λερωμένα σκεύη που χρειάζονται γρήγορο πλύσιμο.

 **Γρήγορο**  
Πλύση μικρότερης διάρκειας για ελαφρώς λερωμένα αντικείμενα που δεν χρειάζονται στέγνωμα.

### Οθόνη

- 5 **Προειδοποιητική ένδειξη**

 **Λαμπруντικό**  
Όταν η ενδεικτική λυχνία «» είναι αναμμένη, σημαίνει ότι η στάθμη του λαμπруντικού στο πλυντήριο πιάτων είναι χαμηλή και ότι απαιτείται επαναπλήρωση του δοχείου.

 **Αλάτι**  
Όταν η ενδεικτική λυχνία «» είναι αναμμένη, σημαίνει ότι η στάθμη του αλατιού στο πλυντήριο πιάτων είναι χαμηλή και ότι απαιτείται επαναπλήρωση της θήκης αλατιού.

## Αποσκληρυντής νερού

Ο αποσκληρυντής νερού πρέπει να ρυθμιστεί χειροκίνητα μέσω του περιστρεφόμενου διακόπτη σκληρότητας νερού. Ο αποσκληρυντής νερού σχεδιάστηκε για την αφαίρεση μετάλλων και αλάτων από το νερό, τα οποία έχουν επιζήμια δράση στη λειτουργία της συσκευής.

Όσο υψηλότερη περιεκτικότητα σε μέταλλα έχει, τόσο πιο σκληρό είναι το νερό.

Ο αποσκληρυντής πρέπει να ρυθμίζεται ανάλογα με τη σκληρότητα του νερού της περιοχής σας. Η τοπική εταιρεία ύδρευσης μπορεί να σας πληροφορήσει σχετικά με τη σκληρότητα του νερού της περιοχής σας.

### Ρύθμιση κατανάλωσης αλατιού

Το πλυντήριο πιάτων έχει σχεδιαστεί έτσι ώστε να είναι δυνατή η ρύθμιση της ποσότητας του αλατιού που καταναλώνεται, ανάλογα με τη σκληρότητα του νερού που χρησιμοποιείται. Αυτό αποσκοπεί στη βελτιστοποίηση και στην προσαρμογή του επιπέδου κατανάλωσης αλατιού.

Ακολουθήστε την παρακάτω διαδικασία για να ρυθμίσετε την κατανάλωση αλατιού.

1. Ανοίξτε την πόρτα και ενεργοποιήστε τη συσκευή.
2. Εντός 60 δευτερολέπτων μετά την ενεργοποίηση της συσκευής, πατήστε το κουμπί γρήγορου προγράμματος παρατεταμένα για περισσότερα από 5 δευτερόλεπτα για να μεταβείτε στη λειτουργία ρύθμισης του αποσκληρυντή νερού.
3. Πατήστε το κουμπί γρήγορου προγράμματος για να επιλέξετε την κατάλληλη ρύθμιση, ανάλογα με τις συνθήκες που επικρατούν στην περιοχή σας. Οι ρυθμίσεις θα αλλάξουν με την παρακάτω σειρά: H3->H4->H5->H6->H1->H2->H3;
4. Πατήστε το κουμπί ενεργοποίησης για να ολοκληρώσετε τη ρύθμιση.

ΣΚΛΗΡΟΤΗΤΑ ΝΕΡΟΥ				Επίπεδο αποσκληρυντή νερού	Η αναγέννηση πραγματοποιείται ανά Χ αριθμό διαδοχής προγραμμάτων <sup>1)</sup>	Κατανάλωση αλατιού (γραμμάρια/κύκλο)
Γερμανικοί βαθμοί dH *	Γαλλικοί βαθμοί fH **	Βρετανικοί βαθμοί Clarke ***	Mmol/l			
0 - 5	0 - 9	0 - 6	0 - 0.94	H1-> ενδεικτική λυχνία γρήγορου προγράμματος αναμμένη	Χωρίς αναγέννηση	0
6 - 11	10 - 20	7 - 14	1.0 - 2.0	H2-> ενδεικτική λυχνία προγράμματος 90 min αναμμένη	10	9
12 - 17	21 - 30	15 - 21	2.1 - 3.0	H3-> ενδεικτικές λυχνίες προγράμματος 90 min, γρήγορου	5	12
18 - 22	31 - 40	22 - 28	3.1 - 4.0	H4->ενδεικτική λυχνία οικολογικού προγράμματος ECO αναμμένη	3	20
23 - 34	41 - 60	29 - 42	4.1 - 6.0	H5->ενδεικτικές λυχνίες προγράμματος ECO, γρήγορου προγράμματος αναμμένες	2	30
35 - 55	61 - 98	43 - 69	6.1 - 9.8	H6->ενδεικτικές λυχνίες προγραμμάτων ν ECO, 90min αναμμένες	1	60

1°dH=1.25 °fH=0.178mmol/l °Clarke=1.78

Εργοστασιακή ρύθμιση: H3.

Επικοινωνήστε με την τοπική εταιρεία ύδρευσης για πληροφορίες σχετικά με τη σκληρότητα του νερού της περιοχής σας.

<sup>1)</sup> Κάθε κύκλος πλύσης που υποστηρίζει τη λειτουργία αναγέννησης καταναλώνει 2 λίτρα νερού επιπλέον, ενώ η ενεργειακή κατανάλωση αυξάνεται κατά 0,02 kWh και η διάρκεια του προγράμματος παρατείνεται κατά 4 λεπτά.

### ΣΗΜΕΙΩΣΗ

Ανατρέξτε στην ενότητα 3 «Πλήρωση αλατιού στον αποσκληρυντή» του ΜΕΡΟΥΣ I: Γενική έκδοση, εάν δεν υπάρχει επαρκής ποσότητα αλατιού στο πλυντήριο πιάτων.

### ΣΗΜΕΙΩΣΗ

Εάν το μοντέλο δεν διαθέτει αποσκληρυντή νερού, μπορείτε να παραλείψετε αυτή την ενότητα.

## Αποσκληρυντής νερού

Η σκληρότητα του νερού διαφέρει από τόπο σε τόπο. Εάν χρησιμοποιείται σκληρό νερό στο πλυντήριο πιάτων, θα σχηματιστούν επικαθίσεις αλάτων στα πιάτα και τα σκεύη.

Η συσκευή διαθέτει ειδικό αποσκληρυντή με δοχείο αλατιού ειδικά σχεδιασμένο ώστε να εξαλείφει τα άλατα και τα μέταλλα από το νερό.

## Προετοιμασία και τοποθέτηση πιάτων

- Φροντίστε να αγοράζετε σκεύη που επισημαίνονται ως κατάλληλα για πλύσιμο σε πλυντήριο πιάτων.
- Για σκεύη που χρήζουν ιδιαίτερης φροντίδας, επιλέξτε ένα πρόγραμμα με τη χαμηλότερη δυνατή θερμοκρασία.
- Για την αποφυγή ζημιών, μην αφαιρείτε τα ποτήρια και τα μαχαιροπίρουνα από το πλυντήριο πιάτων αμέσως μετά τη λήξη του προγράμματος.

### Για πλύσιμο στο πλυντήριο πιάτων τα ακόλουθα μαχαιροπίρουνα/πιάτα

#### Δεν είναι κατάλληλα

- Μαχαιροπίρουνα με λαβές από ξύλο, κόκκαλο, πορσελάνη ή πέρες
- Πλαστικά αντικείμενα που δεν είναι ανθεκτικά σε υψηλές θερμοκρασίες
- Παλιά μαχαιροπίρουνα με κολλημένα μέρη που δεν είναι ανθεκτικά σε υψηλές θερμοκρασίες
- Μαχαιροπίρουνα ή πιάτα με συγκολλημένα μέρη
- Αντικείμενα από κασσίτερο ή χαλκό
- Κρυστάλλινα ποτήρια
- Ατσάλινα είδη επιρρεπή στη σκουριά
- Ξύλινες πιατέλες
- Αντικείμενα κατασκευασμένα από συνθετικές ίνες

#### Είναι περιορισμένης καταλληλότητας

- Ορισμένα είδη ποτηριών μπορεί να αποκτήσουν θαμπή όψη μετά από πολλές πλύσεις
- Τα μέρη από ασήμι και αλουμίνιο έχουν την τάση να αποχρωματίζονται κατά το πλύσιμο
- Τα επισμαλτωμένα σχέδια ενδέχεται να ξεθωριάσουν αν πλένονται συχνά στο πλυντήριο πιάτων

#### Συστάσεις για τη φόρτωση του πλυντηρίου πιάτων

Καθαρίστε τυχόν μεγάλες ποσότητες υπολειμμάτων τροφίμων. Μουλιάστε καμένα υπολείμματα τροφών σε τηγάνια. Δεν είναι απαραίτητο να ξεβγάλετε τα πιάτα με τρεχούμενο νερό.

Για να εξασφαλίσετε τη βέλτιστη απόδοση του πλυντηρίου πιάτων, ακολουθήστε τις παρακάτω οδηγίες φόρτωσης.

**(Τα χαρακτηριστικά και η εμφάνιση των καλαθιών για μαχαιροπίρουνα ενδέχεται να διαφέρουν από το μοντέλο σας.)**

Τοποθετήστε τα αντικείμενα μέσα στο πλυντήριο πιάτων ως εξής:

- Αντικείμενα, όπως φλιτζάνια, ποτήρια, κατασρόλες/ταψιά κ.λπ. τοποθετούνται ανάποδα.
- Τα κοίλα αντικείμενα, καθώς και τα αντικείμενα με εσοχές, πρέπει να φορτώνονται πλάγια ώστε το νερό να μπορεί να τρέξει από αυτά.
- Όλα τα σκεύη πρέπει να τοποθετούνται με ασφάλεια, ώστε να μην μπορούν να αναποδογυρίσουν.
- Όλα τα σκεύη πρέπει να τοποθετούνται κατά τέτοιον τρόπο ώστε οι βραχίονες ψεκασμού να μπορούν να περιστρέφονται ανεμπόδιστα κατά την πλύση.
- Φορτώστε τα κοίλα αντικείμενα, όπως φλιτζάνια, ποτήρια, τηγάνια κ.λπ. Με το άνοιγμα προς τα κάτω, ώστε να μην μπορεί να συγκεντρωθεί νερό στο εσωτερικό τους ή μέσα σε βαθιά δοχεία.
- Τα πιάτα και τα μαχαιροπίρουνα δεν πρέπει να τοποθετούνται το ένα μέσα ή πάνω στο άλλο. Για την αποφυγή ζημιών, τα ποτήρια δεν πρέπει να ακουμπούν μεταξύ τους.
- Το επάνω καλάθι προορίζεται για πιο ευαίσθητα και ελαφριά είδη, όπως ποτήρια, φλιτζάνια του καφέ και του τσαγιού.
- Τα μαχαίρια με μεγάλες λεπίδες, όταν τοποθετούνται όρθια, αποτελούν πιθανό κίνδυνο!
- Τα μακριά ή/και αιχμηρά αντικείμενα, όπως τα μαχαίρια τεμαχίσματος, πρέπει να τοποθετούνται οριζόντια στο επάνω καλάθι.
- Μην υπερφορτώνετε το πλυντήριο πιάτων. Αυτό είναι σημαντικό για καλά αποτελέσματα πλύσης και ορθολογική χρήση της ενέργειας.

#### ΣΗΜΕΙΩΣΗ

Τα πολύ μικρά αντικείμενα δεν πρέπει να πλένονται στο πλυντήριο πιάτων, καθώς μπορούν εύκολα να πέσουν από το καλάθι.

#### Αφαίρεση των πιατικών

Για να μη στάξει νερό από το επάνω καλάθι στο κάτω, συνιστούμε να αδειάζετε πρώτα το κάτω καλάθι και έπειτα το επάνω.

**ΠΡΟΕΙΔΟΠΟΙΗΣΗ!**

**Τα αντικείμενα θα καίει!** Για την αποφυγή ζημιών, μην αφαιρείτε τα ποτήρια και τα μαχαιροπίρουνα από το πλυντήριο πιάτων για περίπου 15 λεπτά μετά τη λήξη του προγράμματος.

**Φόρτωση του επάνω καλαθιού**

Το επάνω καλάθι προορίζεται για πιο ευαίσθητα και ελαφριά είδη, όπως ποτήρια, φλιτζάνια του καφέ και του τσαγιού και τα πιατάκια τους, καθώς και πιάτα, μπουλάκια και ρηχές κατασάρλες (εφόσον δεν είναι πολύ βρώμικες). Τοποθετήστε τα πιάτα και τα σκεύη έτσι ώστε να μην μετακινούνται από τη θέση τους κατά τον ψεκασμό του νερού.

**Φόρτωση του κάτω καλαθιού**

Συνιστάται να τοποθετείτε τα μεγάλα αντικείμενα και εκείνα που καθαρίζουν δύσκολα στο κάτω καλάθι, όπως κατασάρλες, τηγάνια, καπάκια, πιατέλες και μπωλ, με τον τρόπο που απεικονίζεται στην ακόλουθη εικόνα. Συνιστάται να τοποθετείτε τις πιατέλες και τα καπάκια στα πλαϊνά των ραφιών, έτσι ώστε να μην παρεμποδίζουν την περιστροφή του επάνω βραχίονα ψεκασμού. Μπροστά από τη θήκη του απορρυπαντικού συνιστάται να τοποθετείτε πιάτα μέγιστης διαμέτρου 19 cm προκειμένου να μπορεί να ανοίγει ανεμπόδιστα.

**Φόρτωση του καλαθιού μαχαιροπίρουνων**

Τα μαχαιροπίρουνα πρέπει να τοποθετούνται στο ράφι μαχαιροπίρουνων ξεχωριστά το ένα από το άλλο στις κατάλληλες θέσεις. Βεβαιωθείτε ότι δεν ακουμπούν μεταξύ τους, καθώς αυτό ενδέχεται να υποβαθμίσει την απόδοση της πλύσης.

**ΠΡΟΕΙΔΟΠΟΙΗΣΗ!**

Βεβαιωθείτε ότι δεν προεξέχει κάποιο αντικείμενο από το κάτω μέρος.

Τα αιχμηρά αντικείμενα πρέπει να τοποθετούνται πάντοτε με το αιχμηρό άκρο στραμμένο προς τα κάτω!

**ΣΗΜΕΙΩΣΗ**

Για βέλτιστα αποτελέσματα πλύσης, φορτώστε τα καλάθια σύμφωνα με τις πρότυπες επιλογές φόρτωσης που αναφέρονται στην τελευταία ενότητα του ΜΕΡΟΥΣ I: Γενική έκδοση.

## Λειτουργία του λαμπρυντικού και του απορρυπαντικού

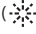
Το λαμπρυντικό απελευθερώνεται κατά τη διάρκεια του τελευταίου ξεβγάλματος και αποτρέπει τον σχηματισμό σταγόνων πάνω στα πιάτα, οι οποίες μπορούν να αφήσουν λεκέδες και γραμμές. Επίσης, βελτιώνει το στέγνωμα, κάνοντας το νερό να γλιστρά από τα πιάτα. Το πλυντήριό σας έχει σχεδιαστεί για χρήση υγρών λαμπρυντικών.

**ΠΡΟΕΙΔΟΠΟΙΗΣΗ!**

Χρησιμοποιείτε μόνο επώνυμα λαμπρυντικά για πλυντήριο πιάτων. Μη γεμίζετε ποτέ το δοχείο λαμπρυντικό με άλλες ουσίες (π.χ. καθαριστικό πλυντηρίου πιάτων, υγρό απορρυπαντικό). Μπορεί να προκαλέσουν ζημιά στη συσκευή.

**Επαναπλήρωση του δοχείου λαμπρυντικού**

Η συχνότητα πλήρωσης του δοχείου λαμπρυντικού εξαρτάται από τη συχνότητα πραγματοποίησης πλύσεων και τη χρησιμοποιούμενη ρύθμιση λαμπρυντικού.

Η ενδεικτική λυχνία χαμηλής στάθμης λαμπρυντικού (  ) θα ανάψει όταν απαιτείται περισσότερη ποσότητα λαμπρυντικού. Μη γεμίζετε υπερβολικά το δοχείο λαμπρυντικού.

**Λειτουργία απορρυπαντικού**

Τα απορρυπαντικά με τα χημικά συστατικά τους είναι απαραίτητα για την αφαίρεση των ακαθαρσιών, τη διάσπαση των κολλημένων ακαθαρσιών και την απομάκρυνσή τους από το πλυντήριο πιάτων. Τα περισσότερα ποιοτικά απορρυπαντικά που διατίθενται στο εμπόριο είναι κατάλληλα για τον σκοπό αυτό.

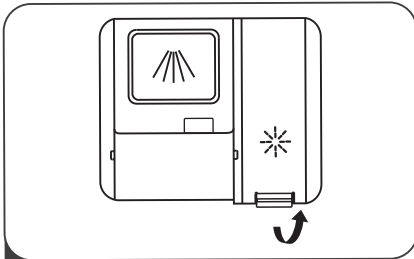
**ΠΡΟΕΙΔΟΠΟΙΗΣΗ!****Ορθή χρήση απορρυπαντικού**

Χρησιμοποιήστε μόνο ειδικά απορρυπαντικά για χρήση σε πλυντήριο πιάτων. Διατηρήστε το απορρυπαντικό σας φρέσκο και στεγνό. Μην τοποθετείτε το απορρυπαντικό μέσα στη θήκη, μέχρι να είστε έτοιμοι να θέσετε το πλυντήριο πιάτων σε λειτουργία.

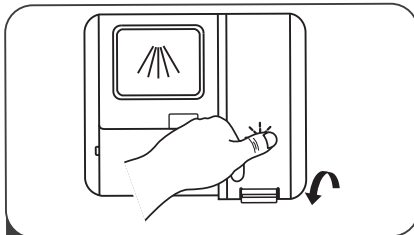


**Τα απορρυπαντικά πλυντηρίου πιάτων είναι διαβρωτικά!**  
**Φυλάσσετε τα μακριά από τα παιδιά.**

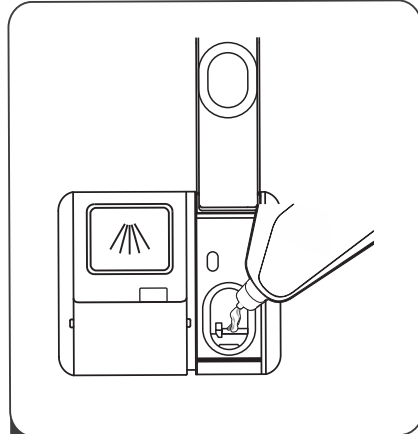
## Πλήρωση του δοχείου λαμπρυντικού



**1** Αφαιρέστε την τάπα του δοχείου λαμπρυντικού σηκώνοντας τη λαβή.



**3** Κλείστε την τάπα μετά το τέλος της διαδικασίας.



**2** Ρίξτε προσεκτικά το λαμπρυντικό στο δοχείο, προσέχοντας να μην υπερχειλίσει.

### Ρύθμιση δοχείου λαμπρυντικού

Για να εξασφαλίσετε καλύτερη απόδοση στεγνώματος με μικρότερη ποσότητα λαμπρυντικού, το πλυντήριο πιάτων δίνει στον χρήστη τη δυνατότητα να ρυθμίζει την κατανάλωση. Ακολουθήστε τα παρακάτω βήματα.

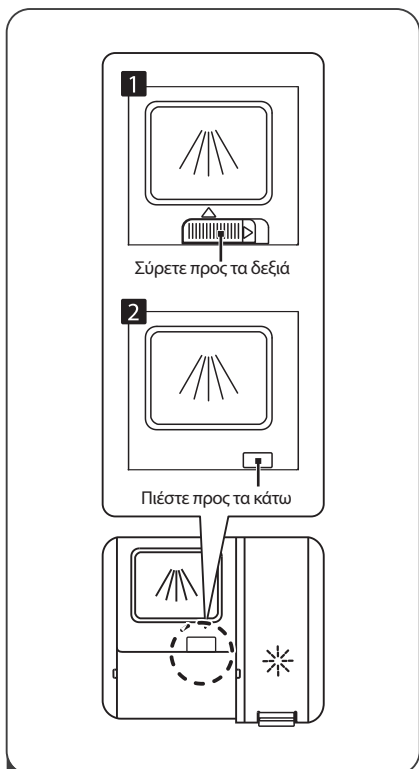
1. Ανοίξτε την πόρτα και ενεργοποιήστε τη συσκευή.
2. Εντός 60 δευτερολέπτων μετά την ολοκλήρωση του βήματος 1, πατήστε το κουμπί γρήγορου προγράμματος για πάνω από 5 δευτερόλεπτα και κατόπιν το κουμπί χρονοκαυστήρησης για να εισαγάγετε την επιλογή ρύθμισης. Η ενδεικτική λυχνία του λαμπρυντικού αναβοσβήνει στη συχνότητα 1Hz.
3. Πατήστε το κουμπί γρήγορου προγράμματος για να επιλέξετε την κατάλληλη ρύθμιση με βάση τη συνήθη χρήση της συσκευής. Οι ρυθμίσεις θα αλλάξουν με την παρακάτω σειρά: D1->D2->D3->D4->D5->D1.  
Όσο μεγαλύτερος ο αριθμός της ρύθμισης, τόσο περισσότερη ποσότητα λαμπρυντικού καταναλώνει το πλυντήριο πιάτων.
4. Πατήστε το κουμπί ενεργοποίησης για να ολοκληρώσετε τη ρύθμιση.

#### Στάθμη λαμπρυντικού

#### Θέση επιλογή

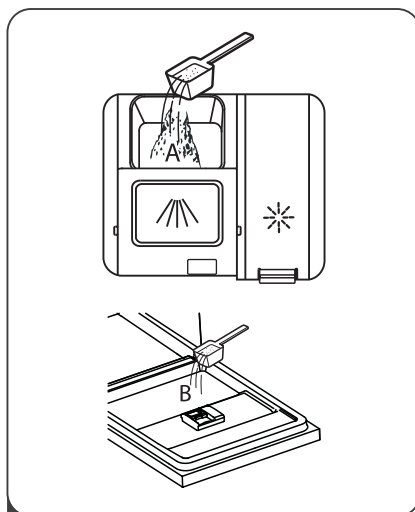
D1	D1-> ενδεικτική λυχνία γρήγορου προγράμματος αναμμένη
D2	D2-> ενδεικτική λυχνία προγράμματος 90 min αναμμένη
D3	D3-> ενδεικτικές λυχνίες γρήγορου προγράμματος, προγράμματος 90min αναμμένες
D4	D4-> ενδεικτική λυχνία προγράμματος ECO αναμμένη
D5	D5-> ενδεικτική λυχνία προγράμματος ECO αναμμένη

## Πλήρωση της θήκης απορρυπαντικού

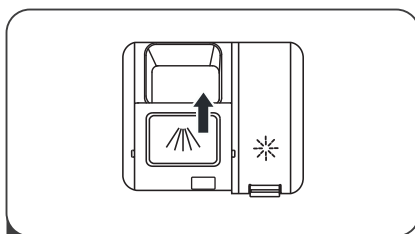


1 Επιλέξτε ένα τρόπο ανοίγματος της θήκης ανάλογα με την εκάστοτε συνθήκη.

1. Ανοίξτε την τάπα σέρνοντας τη διάταξη απασφάλισης.
2. Ανοίξτε την τάπα πιέζοντας προς τα κάτω τη διάταξη απασφάλισης.



- 2 Προσθέστε απορρυπαντικό στη μεγαλύτερη υποδοχή (A) για τον κύκλο κύριας πλύσης. Για καλύτερο αποτέλεσμα καθαρισμού, ειδικά αν τα αντικείμενα είναι πολύ λερωμένα, προσθέστε μικρή ποσότητα απορρυπαντικού στην πόρτα. Η επιπλέον ποσότητα απορρυπαντικού θα διοχετευτεί στον θάλαμο στη φάση της πρόπλυσης.



- 3 Κλείστε το κάλυμμα σέρνοντάς το προς τα εμπρός και στη συνέχεια πιέστε το προς τα κάτω.

### ΣΗΜΕΙΩΣΗ

- Έχετε υπόψη σας ότι η ρύθμιση μπορεί να διαφέρει ανάλογα με την έκταση και τον βαθμό των ακαθαρσιών.
- Τηρείτε τις συστάσεις του κατασκευαστή που αναγράφονται στη συσκευασία του απορρυπαντικού.






# ΕΠΙΛΟΓΗ ΠΡΟΓΡΑΜΜΑΤΟΣ ΠΛΥΝΤΗΡΙΟΥ ΠΙΑΤΩΝ

## Πίνακας κύκλων πλύσης

Στον παρακάτω πίνακα παρουσιάζονται τα προγράμματα και η καταλληλότητά τους ανάλογα με τα υπολείμματα τροφών στα είδη προς πλύσιμο καθώς και η απαιτούμενη ποσότητα απορρυπαντικού. Δίνονται πληροφορίες για τα προγράμματα. Οι τιμές κατανάλωσης και η διάρκεια των προγραμμάτων είναι μόνο ενδεικτικές, με εξαίρεση το πρόγραμμα ECO.

● Η ένδειξη Φ υποδεικνύει ότι το πρόγραμμα χρησιμοποιεί λαμπρυντικό στο τελευταίο ξέβγαλμα.

Πρόγραμμα	Περιγραφή κύκλου	Απορρυπαντικά Πρόπλυση/ Κύρια πλύση	Σε λειτουργία Χρόνος (λεπτά)	Ενέργεια (kWh)	Νερό (L)	Λαμπρυντικό
 Intensive	Πρόπλυση (50 °C) Πλύση (65 °C) Ξέβγαλμα Ξέβγαλμα Ξέβγαλμα (65 °C) Στέγνωμα	4/13 g 1 ή 2 ταμπλέτες	205	1.378	15.3	●
<b>ECO</b> (*EN 60436)	Πλύση (45 °C) Ξέβγαλμα Ξέβγαλμα (55 °C) Στέγνωμα	17 g	235	0.704	9.0	●
 90 Min	Πλύση (60 °C) Ξέβγαλμα Ξέβγαλμα (65 °C) Στέγνωμα	17 g 1 ταμπλέτα	90	1.234	10.2	●
 Rapid	Πλύση (50 °C) Ξέβγαλμα Ξέβγαλμα (45 °C)	12 g	30	0.611	10.0	○



### ECO (\*EN 60436)

Το πρόγραμμα ECO είναι κατάλληλο για το πλύσιμο φυσιολογικά λερωμένων επιτραπέζιων σκευών και είναι το πιο αποδοτικό πρόγραμμα όσον αφορά τον συνδυασμό κατανάλωσης ενέργειας και νερού και χρησιμοποιείται για την αξιολόγηση της συμμόρφωσης με την ευρωπαϊκή νομοθεσία περί οικολογικού σχεδιασμού.

## Εξοικονόμηση ενέργειας

1. Η πρόπλυση των επιτραπέζιων σκευών έχει ως αποτέλεσμα την αύξηση της κατανάλωσης νερού και ενέργειας και δεν συνιστάται.
2. Το πλύσιμο επιτραπέζιων σκευών σε ένα οικιακό πλυντήριο πιάτων συνήθως συνοδεύεται από μικρότερη κατανάλωση ενέργειας και νερού κατά τη φάση της χρήσης σε σχέση με το πλύσιμο στο χέρι, όταν το οικιακό πλυντήριο πιάτων χρησιμοποιείται σύμφωνα με τις οδηγίες.

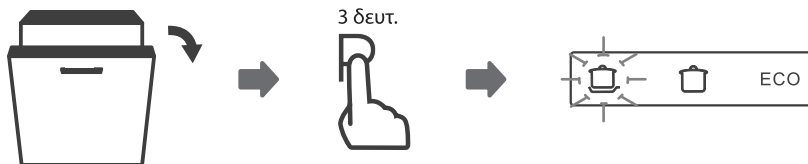
## Έναρξη προγράμματος πλύσης

1. Τραβήξτε προς τα έξω το επάνω και το κάτω καλάθι, φορτώστε τα πιάτα και σπρώξτε τα πίσω στη θέση τους. Συνιστούμε να φορτώνετε πρώτα το κάτω καλάθι και έπειτα το επάνω.
2. Προσθέστε το απορρυπαντικό.
3. Εισαγάγετε το φιλτράκι στην πρίζα. Για τα τεχνικά χαρακτηριστικά παροχής ισχύος, ανατρέξτε στην τελευταία σελίδα «Φύλλο τεχνικών χαρακτηριστικών προϊόντος». Βεβαιωθείτε ότι η παροχή του νερού είναι ανοιχτή υπό πλήρη πίεση.
4. Ανοίξτε την πόρτα, πατήστε το κουμπί ενεργοποίησης και η ενδεικτική λυχνία ενεργοποίησης/απενεργοποίησης θα ανάψει.
5. Επιλέξτε ένα πρόγραμμα, η αντίστοιχη λυχνία θα ανάψει. Στη συνέχεια, κλείστε την πόρτα προκειμένου το πλυντήριο πιάτων να ξεκινήσει το πρόγραμμα πλύσης.

## Αλλαγή προγράμματος στα μισά του κύκλου

Η αλλαγή ενός προγράμματος πλύσης που βρίσκεται σε εξέλιξη είναι δυνατή μόνο εάν έχει παρέλθει λίγη ώρα από την έναρξή του. Διαφορετικά, ενδέχεται το απορρυπαντικό να έχει ήδη διοχετευτεί στον θάλαμο και το νερό πλύσης μαζί με το απορρυπαντικό να έχει ήδη αποστραγγιστεί. Σε αυτή την περίπτωση, απαιτείται επαναφορά του πλυντηρίου πιάτων και επαναπλήρωση της θήκης του απορρυπαντικού. Για να κάνετε επαναφορά του πλυντηρίου πιάτων, ακολουθήστε τις παρακάτω οδηγίες:

1. Ανοίξτε την πόρτα λίγο για να διακόψετε τη λειτουργία του πλυντηρίου πιάτων. Μόλις ο βραχίονας ψεκασμού σταματήσει να λειτουργεί, μπορείτε να ανοίξετε πλήρως την πόρτα.
2. Πατήστε ένα οποιοδήποτε κουμπί προγράμματος για περισσότερα από τρία δευτερόλεπτα. Η συσκευή εισέρχεται σε λειτουργία επιλογής προγράμματος.
3. Μπορείτε να αλλάξετε το πρόγραμμα και να ορίσετε αυτό που επιθυμείτε.



## Ξεχάσατε να βάλετε ένα πιάτο?

Αν ξεχάσατε να βάλετε ένα πιάτο, μπορείτε να το προσθέσετε ανά πάσα στιγμή προτού ξεκινήσει η διανομή του απορρυπαντικού. Σε αυτή την περίπτωση, ακολουθήστε τις παρακάτω οδηγίες:

1. Ανοίξτε ελαφρώς την πόρτα για να διακόψετε το πρόγραμμα πλύσης.
2. Μόλις οι βραχίονες ψεκασμού σταματήσουν να λειτουργούν, μπορείτε να ανοίξετε την πόρτα εντελώς.
3. Προσθέστε τα πιάτα που ξεχάσατε.
4. Κλείστε την πόρτα.
5. Το πλυντήριο πιάτων συνεχίζει τη λειτουργία του.



### ΠΡΟΕΙΔΟΠΟΙΗΣΗ!



Είναι επικίνδυνο να ανοίξετε την πόρτα στα μισά του κύκλου, καθώς υπάρχει ο κίνδυνος εγκαύματος λόγω του καυτού ατμού.

## ΚΩΔΙΚΟΙ ΣΦΑΛΜΑΤΩΝ

Σε περίπτωση δυσλειτουργίας, στην οθόνη της συσκευής προβάλλεται ο σχετικός κωδικός σφάλματος. Στον παρακάτω πίνακα παρατίθενται πιθανοί κωδικοί σφάλματος και οι αιτίες τους.

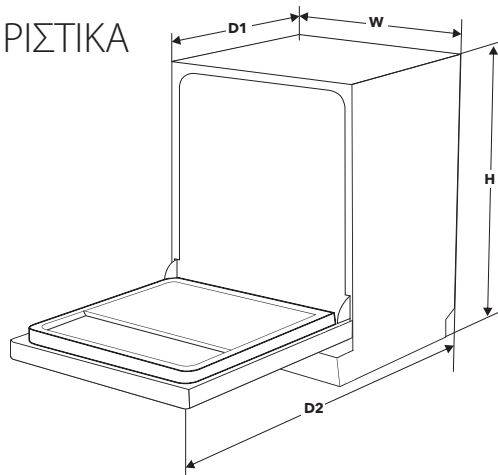
Κωδικοί	Επεξήγηση	Πιθανή αιτία
Η ενδεικτική λυχνία του γρήγορου προγράμματος αναβοσβήνει γρήγορα.	Η είσοδος του νερού διαρκεί περισσότερο από ό,τι συνήθως.	Η βρύση δεν είναι ανοιχτή ή η είσοδος του νερού παρεμποδίζεται ή η πίεση του νερού είναι πολύ χαμηλή.
Οι ενδεικτικές λυχνίες του προγράμματος 90 min και του γρήγορου προγράμματος αναβοσβήνουν γρήγορα.	Μη επίτευξη απαιτούμενης θερμοκρασίας.	Δυσλειτουργία του θερμαντικού στοιχείου.
Η λυχνία του προγράμματος ECO αναβοσβήνει γρήγορα	Υπερχείλιση	Κάποιο στοιχείο του πλυντηρίου πιάτων έχει διαρροή.
Οι ενδεικτικές λυχνίες του εντατικού προγράμματος, του οικολογικού προγράμματος ECO και του γρήγορου προγράμματος αναβοσβήνουν γρήγορα.	Αδυναμία επικοινωνίας μεταξύ κύριας πλακέτας προγραμματιζόμενου τυπωμένου κυκλώματος (PCB) και οθόνης PCB.	Ανοικτό κύκλωμα ή διακοπή καλωδίωσης επικοινωνίας.



### ΠΡΟΕΙΔΟΠΟΙΗΣΗ!

- Σε περίπτωση υπερχείλισης, κλείστε την παροχή νερού και καλέστε την τεχνική υποστήριξη.
- Αν υπάρχει νερό στη βάση λόγω υπερχείλισης ή μικροδιαρροής, το νερό πρέπει να αφαιρεθεί προτού το πλυντήριο πιάτων τεθεί εκ νέου σε λειτουργία.
- Σε περίπτωση εμφάνισης κάποιου κωδικού σφάλματος για ένα πρόβλημα το οποίο δεν μπορείτε να επιλύσετε, απευθυνθείτε σε κάποιον επαγγελματία για βοήθεια.

## ΤΕΧΝΙΚΑ ΧΑΡΑΚΤΗΡΙΣΤΙΚΑ



<b>Ύψος (H)</b>	815 mm
<b>Πλάτος (W)</b>	448 mm
<b>Βάθος (D1)</b>	550 mm (με την πόρτα κλειστή)
<b>Βάθος (D2)</b>	1150 mm (με την πόρτα ανοιχτή 90°)

## Δελτίο πληροφοριών για το προϊόν (EN60436)

**Supplier's name or trade mark:** Tesla

**Διεύθυνση προμηθευτή (®):**

**Αναγνωριστικό μοντέλου:** WDI461M

### Γενικές παράμετροι προϊόντος:

Παράμετρος	Τιμή	Παράμετρος	Τιμή	
Ονομαστική χωρητικότητα (°) (ps)	9	Διαστάσεις σε cm	Ύψος	82
			Πλάτος	45
			Βάθος	55
Δείκτης ενεργειακής απόδοσης EEI (°)	55,9	Ενεργειακή κλάση (°)	E (γ)	
Δείκτης απόδοσης καθαρισμού (°)	1,125	Δείκτης απόδοσης στεγνώματος (°)	1,065	
Κατανάλωση ενέργειας σε kWh [ανά κύκλο], με βάση το οικολογικό πρόγραμμα για τη λειτουργία του οποίου το πλυντήριο πληρώνεται με κρύο νερό. Η πραγματική κατανάλωση ενέργειας εξαρτάται από τον τρόπο χρήσης της συσκευής.	0,704	Κατανάλωση νερού σε λίτρα [ανά κύκλο], με βάση το οικολογικό πρόγραμμα. Η πραγματική κατανάλωση νερού εξαρτάται από τον τρόπο χρήσης της συσκευής και τη σκληρότητα του νερού.	9,0	
Διάρκεια προγράμματος (°) (ώρες:λεπτά)	3:55	Τύπος	Πλήρως εντοιχιζόμενη	
Εκπομπές αερόφερτου ακουστικού θορύβου (°) (dB(A) re 1 pW)	49	Τάξη εκπομπών αερόφερτου ακουστικού θορύβου (°)	C (γ)	
Απενεργοποίηση (W)	0,49	Κατάσταση αναμονής (W)	ΔΥ	
Καθυστερημένη έναρξη (W) (εάν υποστηρίζεται)	1,00	Δικτυωμένη λειτουργία αναμονής (W) (εάν υποστηρίζεται)	ΔΥ	

### Ελάχιστη διάρκεια της εγγύησης που παρέχεται από τον προμηθευτή (β):

#### Πρόσθετες πληροφορίες:

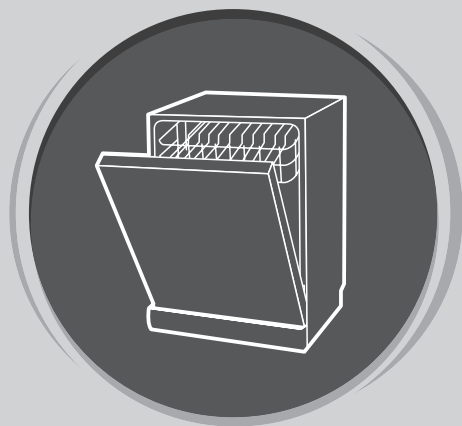
Σύνδεσμος για τον ιστότοπο του προμηθευτή, όπου παρέχονται πληροφορίες στο σημείο 6 του Παραρτήματος II του Κανονισμού (ΕΕ) 2019/2022 (1) (®) της Επιτροπής σχετικά με:

(°) το οικολογικό πρόγραμμα.

(®) τυχόν αλλαγές αυτών των στοιχείων δεν θεωρούνται σχετικές για τους σκοπούς της παραγράφου 4 του άρθρου 4 του κανονισμού (ΕΕ) 2017/1369.

(γ) εάν η βάση δεδομένων για τα προϊόντα παράγει αυτόματα το οριστικό περιεχόμενο αυτού του κελιού, ο προμηθευτής εισάγει αυτά τα δεδομένα.

(1) Κανονισμός (ΕΕ) 2019/2022 της Επιτροπής της 1ης Οκτωβρίου 2019 για τον καθορισμό απαιτήσεων οικολογικού σχεδιασμού των οικιακών πλυντηρίων πιάτων σύμφωνα με την οδηγία 2009/125/ΕΚ του Ευρωπαϊκού Κοινοβουλίου και του Συμβουλίου, για την τροποποίηση του κανονισμού (ΕΚ) αριθ. 1275/2008 της Επιτροπής και την κατάργηση του κανονισμού (ΕΕ) αριθ. 1016/2010 της Επιτροπής (βλ. σελίδα 267 της εν λόγω Επίσημης Εφημερίδας).



# PERILICA POSUĐA

Uputstvo  
za upotrebu

## DIO I: OPĆA UPUTSTVA

Prije upotrebe mašine za pranje sudova, pažljivo pročitajte ovo uputstvo i sačuvajte ga za buduću upotrebu.

# SIGURNOSNI PODACI

## UPOZORENJE!

Prilikom upotrebe mašine za pranje posuda, pridržavajte se sljedećih mjera predostrožnosti:

- Postavljanje i popravak može izvesti samo kvalificirani tehničar
- Uređaj je namijenjen upotrebi u kućanstvu i za slične namjene, kao što su:
  - kuhinjski prostori za zaposlenje u trgovinama, uređima i drugim radnim okruženjima;
  - poljoprivredna kućanstva;
  - od strane hotelskih i motelskih gostiju, kao i drugih vrsta smještajnih objekata;
  - objekti koji pružaju uslugu noćenja sa doručkom;
- Ovaj uređaj mogu koristiti djeca starosti 8 ili više godina i osobe sa smanjenim fizičkim, senzornim ili mentalnim sposobnostima, ili manjkom iskustva i znanja ukoliko su pod nadzorom, ili su im dana uputstva u vezi sa sigurnosnom upotrebom uređaja, i svjesni su mogućeg rizika.
- Djeca ne bi trebala se igrati ovim uređajem. Uređaj ne smiju čistiti djeca, osim ako to ne čine pod nadzorom. (Prema EN60335-1)
- Nije predviđeno da ovaj uređaj upotrebljavaju osobe (uključujući djecu) sa umanjnim fizičkim, senzornim ili mentalnim sposobnostima, ili osobe bez iskustva i znanja, osim ukoliko su pod nadzorom ili ukoliko su dobile uputstva o upotrebi uređaja od osobe odgovorne za njihovu sigurnost. (Prema IEC60335-1) Ambalaža može biti opasna za djecu!
- Ovaj proizvod je predviđen isključivo za upotrebu u kućanstvima i u zatvorenom prostoru.
- Kako biste smanjili rizik od strujnog udara, ne potapajte proizvod, kabl ili utikač u vodu ili neku drugu tekućinu. Prije čišćenja i održavanja uređaja, molimo vas da prekinete napajanje uređaja električnom energijom.
- Za čišćenje koristite meku krpu navlaženu blagom sapunicom, a zatim ponovo obrišite suhom krpom.

## Uputstva u vezi sa uzemljenjem

- Ovaj uređaj mora biti uzemljen. U slučaju nepravilnog rada ili kvara, uzemljenje će umanjiti rizik od pojave strujnog udara tako što će električnoj struji omogućiti da nađe put sa najmanjim otporom. Ovaj uređaj je opremljen priključkom za sprovođenje uzemljenja.
- Neophodno je da priključak bude povezan sa odgovarajućim izlazom postavljenim i uzemljenim u skladu sa svim lokalnim propisima i naredbama.
- Nedogovarajuće povezivanje opreme sa provodnikom uzemljenja može izazvati rizik od strujnog udara. Ukoliko imate nedoumice u vezi sa pravilnim uzemljenjem uređaja, provjerite uzemljenje zajedno sa kvalifikovanim električarem ili predstavnikom servisa.
- Ukoliko priključak koji ste dobili uz uređaj ne odgovara utičnici, nemojte ga prepravljati.
- Neka Vam kvalificirani električar postavi odgovarajuću utičnicu.
- Nemojte primjenjivati silu, sjediti ili stajati na vratima ili policama za posude, koje se nalaze u mašini za pranje suda.

- Nemojte puštati u rad svoju mašinu za pranje suda ukoliko sve table kućišta nisu na svojim pozicijama.
- Budite veoma pažljivi prilikom otvaranja vrata mašine za pranje suda dok ona radi, jer postoji rizik da Vas poprska mraz vode. Ne stavljajte teške predmete na otvorena vrata mašine i nemojte stajati na njima. Uređaj bi se mogao prevrnuti.
- Prilikom raspoređivanja posuda koje je potrebno oprati:
  - 1) Oštre predmete rasporedite tako da ne mogu da oštete zaptivku na vratima;
  - 2) Upozorenje: Noževe i ostali pribor oštrih vrhova morate rasporediti u košari tako da im vrhovi budu okrenuti prema dolje ili ih morate postaviti u horizontalni položaj.
- Neki deterđenti za mašinsko pranje suda su veoma alkalni. Ukoliko dođe do njihovog gutanja, mogu biti izuzetno opasni.
- Izbjegavajte kontakt sa kožom i očima, a djecu držite dalje od mašine za pranje suda ukoliko su vrata otvorena.
- Po završetku ciklusa pranja, provjerite da li ima još praha od deterđenta.
- Nemojte prati plastično posuđe, osim ukoliko nosi oznaku „sigurno za mašinsko pranje“ ili slično.
- Kod plastičnog posuđa koje ne nosi nikakvu oznaku, provjerite preporuke proizvođača.
- Upotrebljavajte isključivo deterđente i sredstva za ispiranje preporučena za upotrebu u automatskim mašinama za pranje suda.
- Nikada nemojte u mašinu za pranje suda stavljati sapun, deterđent za pranje rublja ili deterđent za pranje ruku.
- Ne ostavljajte otvorena vrata, jer time povećavate rizik od spoticanja.
- Ukoliko je kabl za napajanje oštećen, mora ga zamijeniti proizvođač, njegov agent za servisiranje ili slično kvalificirano osoblje, kako bi se izbjegli mogući rizici.
- Prilikom postavljanja, priključni kabl se ne smije savijati ili pritiskati na prekomjeran ili opasan način.
- Nemojte nepropisno prepravljati kontrolne tipke.
- Uređaj je potrebno povezati sa glavnim ventilom za vodu pomoću novog kompleta crijeva. Nemojte upotrebljavati stare komplete crijeva.
- U cilju uštede energije, uređaj će se u režimu pripravnosti automatski isključiti ukoliko uređaj nije aktivan tokom perioda od 15 minuta.
- Maksimalni broj setova prilikom pranja je 9.
- Najveći dopušteni ulazni tlak vode je 1 MPa.
- Minimalni dopušteni ulazni tlak vode je 0,04 MPa.

## Odlaganje



- Za odlaganje ambalaže i samog uređaja, obratite se centru za recikliranje. Isjecite priključni kabl i onesposobite mehanizam za zatvaranje vrata na uređaju.
- Kartonska ambalaža je proizvedena od recikliranog papira i treba je odložiti na mjesto za prikupljanje

papirnog otpada radi ponovnog recikliranja.

- Ispravnim odlaganjem proizvoda, pomoći ćete spriječavanju potencijalnih negativnih posljedica po životnu sredinu i ljudsko zdravlje, koje inače mogu biti uzrokovane nepravilnim odlaganjem otpada kao što je ovaj uređaj.
- Za više informacija o recikliranju ovog proizvoda,

molimo Vas da kontaktirate ured jedinice lokalne samouprave ili komunalni servis za odlaganje kućnog otpada.

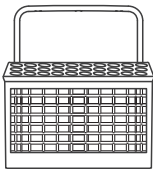
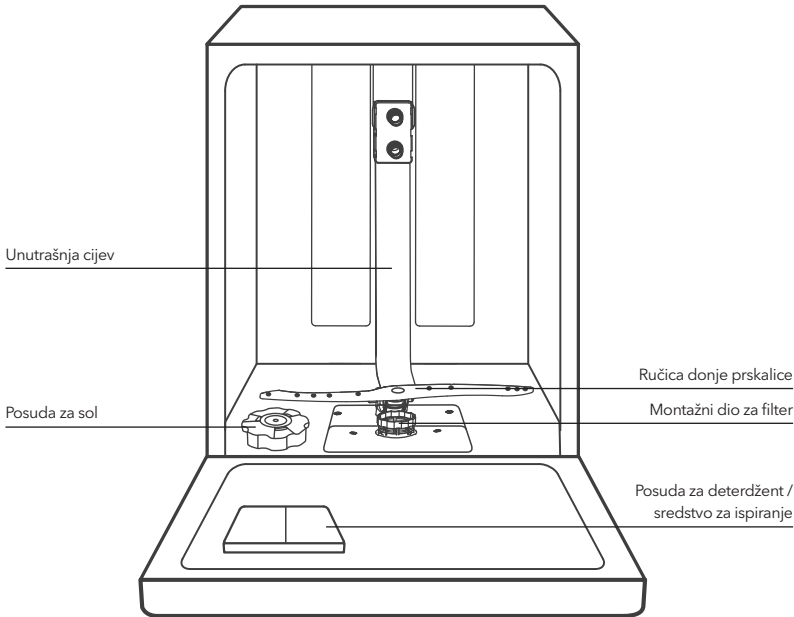
- **ODLAGANJE: Ne odlažite ovaj proizvod kao nerazvrstan komunalni otpad. Ovakav otpad je neophodno zasebno sabirati radi njegovog posebnog tretiranja.**

## PRIKAZ PROIZVODA

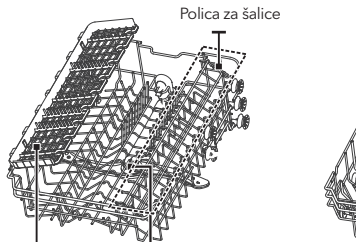


**VAŽNO!**

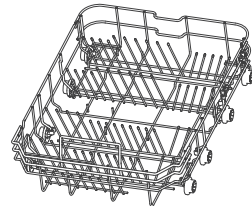
Za maksimalni učinak Vaše mašine za pranje posuda, prije prve upotrebe pročitajte kompletno uputstvo za upotrebu.



Košara za pribor za jelo



Gornja košara



Donja košara

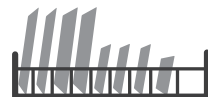


**NAPOMENA!**

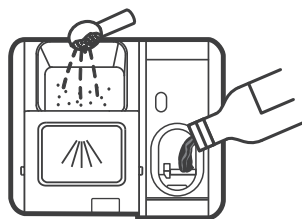
Slike su date isključivo u ilustrativne svrhe, različiti modeli se mogu razlikovati. Pogledajte izgled svog proizvoda.

# UPOTREBA VAŠE MAŠINE ZA PRANJE POSUĐA

Prije nego što počnete koristiti svoju mašinu za pranje suda:



Unutra → Spolja



1. Podesite omekšivač vode
2. Stavite sol u omekšivač

3. Rasporedite posude u košare
4. Napunite spremnik deterdženta / sredstva za ispiranje

## NAPOMENA!

Ukoliko je potrebno da podesite omekšivač vode, pogledajte odeljak 1 „Omekšivač vode“, koji se nalazi u DIJELU II: Uputstvo za određeni model.

## Stavite sol u omekšivač

## NAPOMENA!

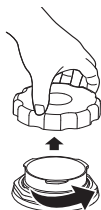
Ukoliko se u okviru Vašeg modela mašine ne upotrebljava omekšivač vode, ovaj odjeljak možete preskočiti. Koristite isključivo sol, koja je namjenjena za mašinu za pranje posuda.

Posuda za so se nalazi ispod donje košare, a treba da bude dopunjena na način prikazan dalje u tekstu:

## UPOZORENJE!

- **Koristite isključivo sol koja je posebno proizvedena za mašine za pranje posuda!**  
Bilo koja druga vrsta soli, koja nije posebno proizvedena za mašinu za pranje suda, a naročito jestiva sol, oštetit će omekšivač vode. U slučaju oštećenja nastalih usljed upotrebe neodgovarajuće vrste soli, proizvođač ne pruža nikakve garancije, niti je odgovoran za bilo kakvo oštećenje nastalo tom prilikom.
- **Sol dopunjujte isključivo neposredno prije nego što perilica započne ciklus pranja.**  
Na taj način ćete spriječiti zadržavanje potencijalno prosutih zrna soli ili slane vode na dnu perilice tokom određenog vremenskog perioda, što može izazvati hrđanje.


Pratite sljedeće korake kako biste dodali so za mašinu za pranje posuda:



1. Skinite donju košaru i odšrafite poklopac rezervoara.
2. Stavite donji dio ljevka (koji se dostavlja uz proizvod) u otvor i naspite oko 1,5 kg soli za mašinu za pranje suda.
3. Dopunite posudu za sol vodom do njene maksimalne granice. Uobičajeno je da se, tom prilikom, iz posude za sol prospe manja količina vode.
4. Nakon što napunite posudu, ponovo stavite poklopac i dobro ga zašrafite.
5. Nakon što stavite sol u posudu za sol, lampica upozorenja za količinu soli će prestati svjetlit.
6. Neki od programa pranja bi trebalo pokrenuti odmah po stavljanju soli u posudu za sol (Predlažemo upotrebu nekog od kraćih programa). U suprotnom, slana voda bi mogla oštetiti sistem za filtriranje, pumpu ili neke druge važne dijelove mašine. U tom slučaju, garancija se neće primjenjivati.



## NAPOMENA!

- Posuda za sol se mora dopuniti samo kada se na kontrolnoj tabli uključi lampica upozorenja za količinu soli . Zavisno od stupnja topljivosti soli, lampica upozorenja za količinu soli može nastaviti svetliti iako je posuda za sol dopunjena.
- Ukoliko uređaj na kontrolnoj tabli nema lampicu upozorenja za količinu soli (kod nekih modela), na osnovu broja ciklusa mašine možete procijeniti kada ćete staviti sol u omekšivač.
- Ukoliko je došlo do prosipanja soli, uključite program natapanja ili neki od kraćih programa kako biste je uklonili.

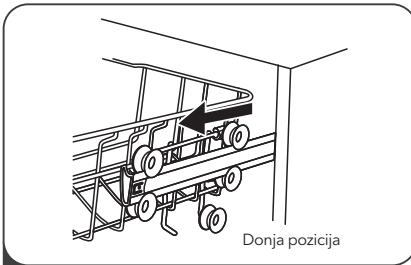
## Savjeti za korištenje košara

### Podešavanje gornje košare

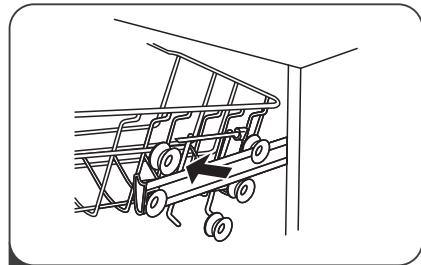
#### Tip 1:

Visina gornje košare se može lako podesiti tako da visoko posude možete smjestiti bilo u gornju ili u donju košaru.

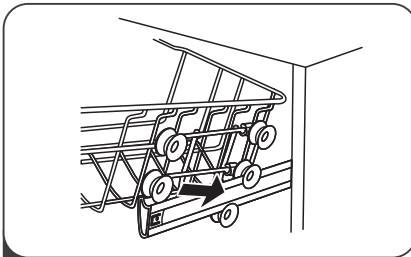
Da biste podesili visinu gornje police, pratite sljedeće korake:



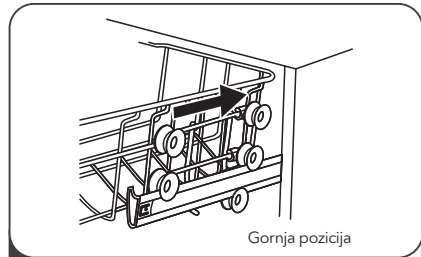
1 Izvucite gornju košaru.



2 Uklonite gornju košaru.

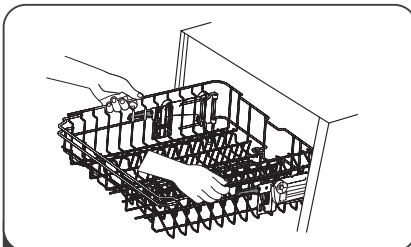


3 Ponovo postavite gornju košaru pomoću gornjih ili donjih kotačića.

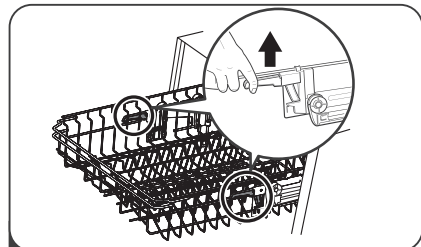


4 Gurnite gornju košaru u mašinu.

#### Tip 2:



1 Da podignete полицu u gornju poziciju; podižite je sve dok obje strane ne budu na istoj visini. Polica će biti pričvršćena. Nije potrebno da podižete ručku za podešavanje.



2 Da spustite полицu, podignite dršku za prilagošavanje sa svake strane, kako bi se košara spustila prema dolje.

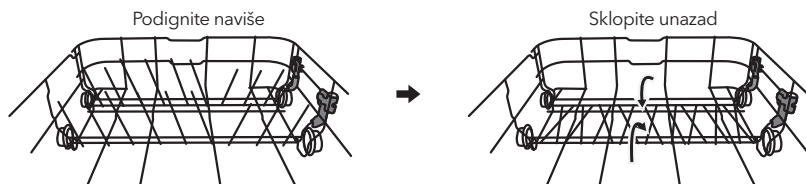
### Sklapanje polica za šalice

Da u polici mašine za pranje suda napravite više prostora za visoko posude, podignite полицu za šalice prema najvišem. Na taj način, uz nju možete prisloniti visoke čaše. Možete je i skinuti ukoliko Vam nije potrebna.



### Sklapanje polica sa šiljcima

Šiljci se koriste za pridržavanje tanjura i ovala. Mogu se spustiti kako bi se napravilo više prostora za veće posude.



## ODRŽAVANJE I ČIŠĆENJE

### Održavanje vanjske strane uređaja

#### Vrata i zaptivka za vrata

Zaptivke za vrata redovito čistite mekom, vlažnom krpom kako biste uklonili naslage hrane.

Prilikom raspoređivanja posuda u mašini za pranje suda, ostaci hrane i pića mogu kapati po bočnim stranama vrata mašine za pranje suda. Ove površine se nalaze izvan prostora za pranje i voda iz ručica prskalica ih ne može dohvatiti. Prije nego što zatvorite vrata, obrišite eventualne naslage.

#### Kontrolna tabla

Ukoliko je kontrolnu tablu potrebno očistiti, brišite je ISKLJUČIVO mekom, vlažnom krpom.

#### UPOZORENJE!

- Da biste izbjegli prodiranje vode u bravu vrata i u električne komponente, nemojte koristiti nikakva sredstva za čišćenje u spreju.
- Nikada ne upotrebljavajte abrazivna sredstva za čišćenje ili abrazivne spužve prilikom čišćenja vanjskih površina, jer tako možete izgubiti završni sloj. Neki papirni ubrusi također mogu izgubiti površinu ili ostaviti tragove na njoj.

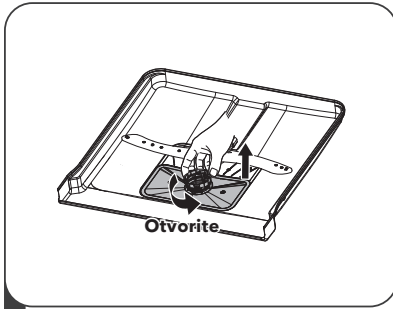
### Održavanje unutrašnjosti uređaja

#### Sistem za filtriranje

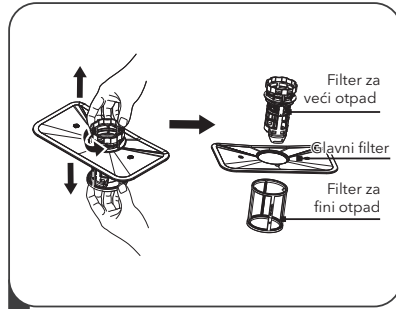
Sustav filtracije, koji se nalazi u donjem dijelu prostora za pranje, zadržava više otpada nastalog tijekom ciklusa pranja. Prikupljeni veći otpad može dovesti do začepljenja filtra. Redovito provjeravajte filtere i po potrebi ih čistite pod mlazom vode. Za čišćenje filtra u području za pranje slijedite dolje navedene korake.

#### NAPOMENA!

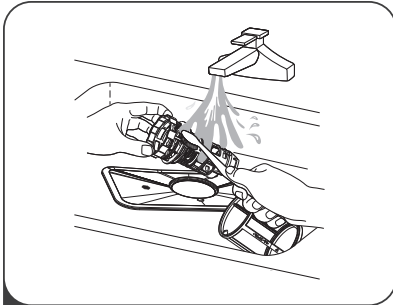
Slike su date isključivo u ilustrativne svrhe. Kod različitih modela, sistemi za filtriranje i ručice prskalica se mogu razlikovati.



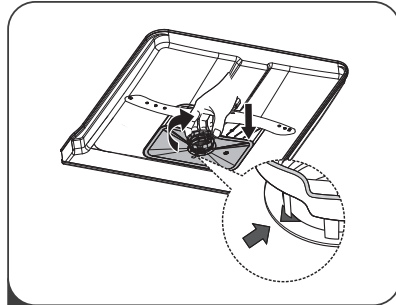
- 1** Uhvatite filter za veći otpad i okrenite ga u smjeru suprotnom od smjera kazaljke na satu kako biste ga otključali. Podignite filter naviše i izvucite ga iz mašine za pranje posuda.



- 2** Filter za sitniji otpad se može izvući sa dna montažnog dijela za filter.  
Filter za veći otpad se može odvojiti od glavnog filtera laganim pritiskanjem jezičaka na vrhu i izvlačenjem.



- 3** Veći ostaci hrane se mogu očistiti ispiranjem filtera pod mlazom vode.  
Za temeljnije čišćenje, koristite meku četku za čišćenje.



- 4** Filtere ponovo postavite obrnutim redoslijedom u odnosu na redosljed kojim ste ih rasklapali, ponovo postavite uložak filtera i okrenite ga u smjeru kazaljke na satu, sve do strelice.

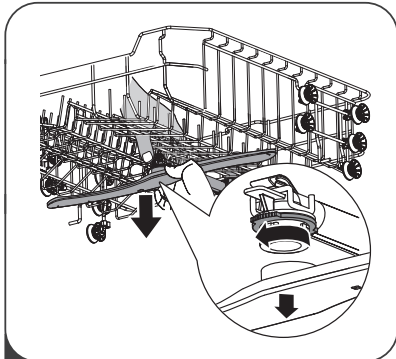
### **!** UPOZORENJE!

- Nemojte prejakno pričvršćivati filtere. Vratite filtere određenim redoslijedom i dobro ih pričvrstite. U suprotnom, veći komadi otpada bi mogli ući u sistem i izazvati začepljenje.
- NIKADA ne upotrebljavajte mašinu za pranje suda ako filteri nisu na odgovarajući način postavljeni. Nepravilno postavljanje filtera može smanjiti nivo radnog učinka uređaja i oštetiti posude i pribor.

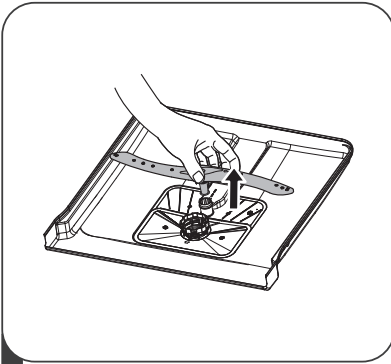
### **Ručice prskalice**

Ručice prskalice je neophodno redovno čistiti, jer će, u suprotnom, sadržaj iz tvrde vode začepiti mlaznice i blokirati ležajeve ručica prskalice.

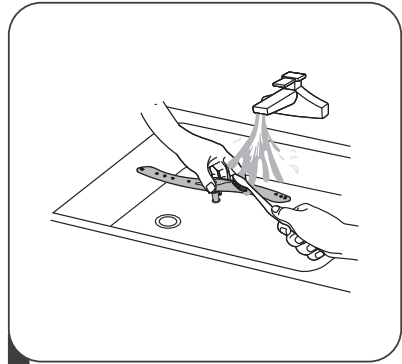
Za čišćenje ručica prskalice, pratite sljedeća uputstva:



- 1** Da biste skinuli ručicu gornje prskalice, pritisnite centralni zavrtnaj tako da se ne kreće, a zatim zarotirajte ručicu prskalice u smjeru suprotnom od smjera kazaljke na satu.



**2** Da biste skinuli ručicu donje prskalice, povucite ručicu prskalice uvis.



**3** Ručice operite u toploj vodi sa sapunicom, a za čišćenje mlaznica upotrebite meku četku. Nakon temeljnog ispiranja, ponovo ih postavite u uređaj.

## Briga o mašini za pranje posuđa

### Mjere zaštite od zamrzavanja

Tokom zime, poduzmite sve mjere da zaštitite mašinu za pranje suđa od zamrzavanja. Nakon svakog ciklusa pranja, obavite sljedeće:

1. Izvucite utikač mašine za pranje suđa iz utičnice.
2. Isključite dovod vode i skinite dovodnu cijev za vodu sa ventila za vodu.
3. Istočite vodu iz dovodne cijevi i iz ventila za vodu. (Za prikupljanje vode, upotrebite dublju široku posudu)
4. Ponovo povežite dovodnu cijev za vodu sa ventilom za vodu.
5. Skinite filter sa dna prostora za pranje i spužvom pokupite vodu iz slivnika.

### Nakon svakog pranja

Nakon svakog pranja isključite dovod vode do uređaja i ostavite vrata djelomično otvorena kako se vlaga i mirisi ne bi zadržavali u uređaju.

### Izvucite utikač iz utičnice

Prije svakog čišćenja ili postupka održavanja izvucite utikač iz utičnice.

### Ne upotrebljavajte rastvarače ili abrazivna sredstva za čišćenje

Ne upotrebljavajte rastvarače ili abrazivne proizvode prilikom čišćenja vanjskog dijela i gumenih elemenata uređaja. Upotrebljavajte isključivo krpu natopljenu toplom vodom sa sapunicom.

Za uklanjanje fleka ili mrlja sa unutrašnjih površina uređaja koristite krpu navlaženu vodom sa malo octa ili specijaliziran proizvod za čišćenje mašina za pranje suđa.

### Kada se uređaj ne upotrebljava tokom dužeg vremenskog perioda

Preporučuje se da praznu mašinu za pranje suđa uključite da radi jedan ciklus, a zatim da izvucete utikač iz utičnice, isključite dovod vode i ostavite vrata uređaja djelomično otvorena. Ovim postupkom ćete produžiti životni vijek zaptivkama na vratima i spriječiti stvaranje neugodnih mirisa unutar uređaja.

### Transport uređaja

Ukoliko je neophodno premjestiti uređaj, pokušajte da ga tokom tog procesa držite u uspravnom položaju. Samo ako je to zaista neophodno, uređaj položite na njegov zadnji dio.

### Zaptivke

Jedan od razloga nastajanja neugodnog mirisa u mašini za pranje suđa je hrana, koja je ostala zaglavljena u zaptivkama. Povremeno čišćenje vlažnom spužvom će ovo spriječiti.

# UPUTSTVA ZA POSTAVLJANJE

## ⚠ UPOZORENJE!



### Opasnost od strujnog udara

Prije postavljanja mašine za pranje posuđa, prekinite dovod struje.

Ukoliko to ne učinite, možete izazvati nečiju smrt ili nekoga izložiti strujnom udaru.

## ! PAŽNJA!

Postavljanje cijevi i električne opreme treba obaviti kvalificirana osoba.

## ○ električnom povezivanju

## ⚠ UPOZORENJE!

Radi osobne sigurnosti:

- Za povezivanje ovog uređaja sa strujom ne upotrebljavajte produžne kablove ili adaptere.
- Nemojte ni pod kojim okolnostima rezati ili skidati vezu za uzemljenje sa priključnog kabla.

### Zahtjevi u vezi sa električnom opremom

Pogledajte pločicu sa nominalnim podacima kako biste znali koji nominalni napon Vaša mašina za pranje suda koristi i kako biste je priključili na odgovarajuću utičnicu. Koristite preporučeni osigurač sa zahtjevanim naponom od 10A/13A/16A, vremenski osigurač ili prekidač i osigurajte zasebni strujni krug namijenjeno isključivo ovom uređaju.

### Povezivanje na struju

Pobrinite se da napon i frekvencija struje odgovaraju vrijednostima navedenim na pločici sa nominalnim podacima. Povežite utikač isključivo sa utičnicom koja je pravilno uzemljena. Ukoliko utičnica na koju morate priključiti uređaj ne odgovara utikaču, zamijenite utičnicu. Nemojte upotrebljavati adaptere i sličnu opremu, jer mogu dovesti do pregrijavanja i izazvati opekline.

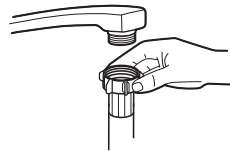
⚠ **Prije upotrebe se pobrinite da postoji odgovarajuće uzemljenje.**

## Dovod i odvod vode

### Povezivanje sa hladnom vodom

Povežite dovodno crijevo za hladnu vodu na konektor od 3/4 (cola) sa navojima i pobrinite se da je ono dobro pričvršćeno.

Ukoliko su cijevi za vodu nove ili ako nisu upotrebljavane tokom dužeg vremenskog perioda, propustite kroz njih vodu i provjerite da li je voda čista. Ovu mjeru predostrožnosti je neophodno obaviti kako bi se izbjegao rizik od blokiranja protoka vode na ulazu i oštećenja uređaja.



obično dovodno crevo



sigurnosno dovodno crevo

### ○ sigurnosnom dovodnom crevu

Sigurnosno dovodno crijevo se sastoji od duplih zidova. Sistem na ovom crijevu pruža garanciju da će ono blokirati protok vode u slučaju pucanja dovodnog crijeva i onda kada se prostor između samog dovodnog crijeva i vanjskog rebrastog crijeva, koji je ispunjen zrakom, napuni vodom.

## ⚠ UPOZORENJE!

Crijevo povezano sa tušem na sudoperu može puknuti ukoliko je postavljeno na isti dovod vode kao i mašina za pranje suda. Ukoliko takvo crijevo imate u svojem sudoperu, preporučuje se da ga skinete i zatvorite otvor.

### Kako povezati sigurnosno dovodno crijevo

1. Potpuno izvadite sigurnosna dovodna crijeva iz skladišnog prostora na zadnjem dijelu mašine za pranje suda.
2. Pričvrstite zavrtnje sigurnosnog dovodnog crijeva na slavinu od 3/4 cola sa navojima.
3. Prije nego što mašinu za pranje suda pustite u rad, potpuno odvrnite vodu.

#### Kako da skinete sigurnosno dovodno crijevo

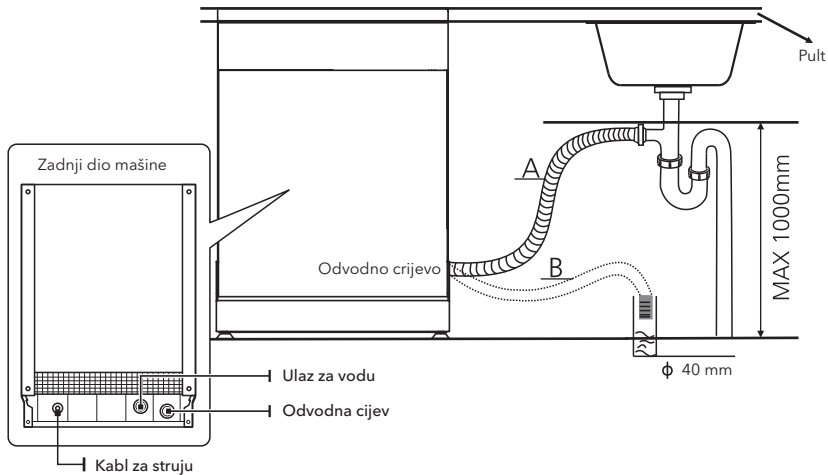
1. Isključite dovod vode.
2. Odvrnite sigurnosno dovodno crijevo sa slavine.

## Povezivanje odvodnih crijeva

Umetnite odvodno crijevo u odvodnu vod minimalnog promjera od 4 cm ili ga ostavite da ističe u odvod, vodeći pritom računa da ga ne savijate i ne prelamate. Odvodna cijev mora biti locirana na visini manjoj od 1000 mm. Slobodni dio crijeva se ne smije uranjati u vodu kako bi se izbjeglo vraćanje vode.

⚠ Dobro pričvrstite odvodno crijevo i u slučaju pozicije A i u slučaju pozicije B.

#### Kako ispustiti višak vode iz crijeva



Ako je odvod na visini većoj od 1000 mm od poda, višak vode u crijevima neće se moći ispustiti izravno u odvod. Neophodno je da višak vode iz crijeva ispustite u neku zdjelu ili odgovarajuću posudu koji ćete držati izvan odvoda i na nižoj razini od njega.

#### Odvod vode

Povežite odvodno crijevo za vodu. Odvodno crijevo mora biti pravilno povezano kako bi se izbjeglo curenje vode. Pobrinite se da odvodno crijevo za vodu nije prelomljeno ili pritisnuto.

#### Produžno crijevo

Ukoliko vam je potrebno produžno odvodno crijevo, pobrinite se da bude slično onome na koje ga nastavljate. Ne smije biti duže od 4 metra; u suprotnom, efekat čišćenja mašine za pranje suda će biti umanjen.

#### Povezivanje sifona

Veza sa kanalizacijom mora biti na visini manjoj od 100 cm (maksimalno) od dna mašine za pranje suda. Odvodno crijevo za vodu je potrebno fiksirati.

## Pozicioniranje uređaja

Postavite uređaj na željeno mesto. Zadnji dio uređaja treba da se naslanja na zid iza njega, a bočne strane treba da budu poravnate sa okolnim kuhinjskim elementima ili zidovima. Mašina za pranje suda je opremljena dovodnim i odvodnim crijevima za vodu koja se mogu postaviti bilo sa desne ili lijeve strane, čime se olakšava pravilno postavljanje.

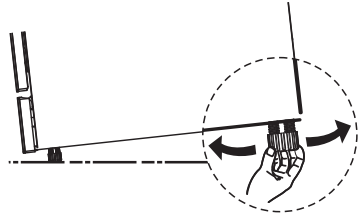
### Niveliranje uređaja

Kada je uređaj postavljen za niveliranje, visinu mašine za pranje suda možete promijeniti podešavanjem visine vijaka na nožicama.

Ni u kom slučaju, uređaj ne smije biti nagnut više od 2°.

#### NAPOMENA!

Primenjuje se isključivo na samostojeće mašine za pranje posuda.

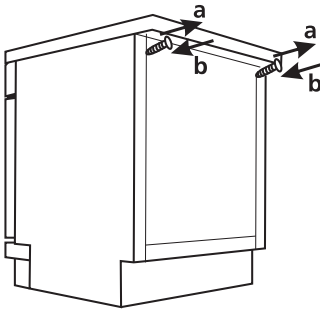
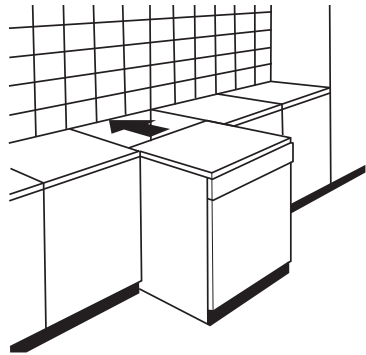


## Postavljanje samostojećeg uređaja

### Postavljanje između postojećih kuhinjskih elemenata

Visina mašine za pranje suda, koja iznosi 845 mm, dizajnirana je tako da omogući njeno postavljanje između postojećih kuhinjskih elemenata, koji u modernim kuhinjama rađenim po mjeri imaju spomenutu visinu. Nožice se mogu podesiti tako da se dostigne odgovarajuća visina.

Laminirani gornji dio mašine ne zahtjeva posebno održavanje, jer je otporan na toplinu, ogrebotine i fleke.



### Ispod postojeće radne površine

(kada se uređaj postavlja ispod radne površine)

Većina modernih kuhinja rađenih po mjeri ima samo jednu jedinstvenu radnu površinu, ispod koje se postavljaju kuhinjski elementi i električni uređaji. U ovom slučaju, skinite radnu površinu mašine za pranje suda tako što ćete odšrafiti zavrtnje koji se nalaze na zadnjem rubu gornje površine (a).

#### PAŽNJA!

Nakon skidanja gornje radne površine, zavrtnje MORATE ponovo pričvrstiti na dio ispod zadnjeg ruba gornje površine (b).

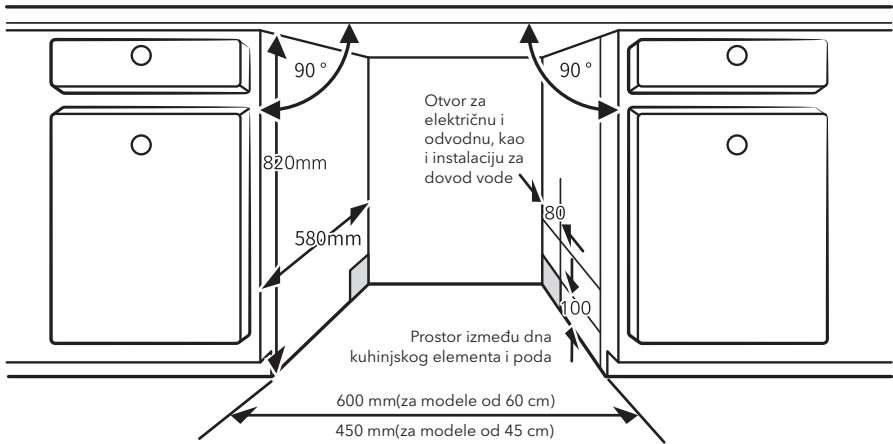
Visina uređaja će se tako smanjiti na 815 mm, kako je navedeno u Međunarodnim uredbama (ISO), a mašina za pranje suda će se savršeno uklopiti pod kuhinjsku radnu površinu.

## Postavljanje ugradnog uređaja (kod integriranog modela)

### Korak 1. Izbor najbolje lokacije za mašinu za pranje posuda

Mašina za pranje suda treba biti postavljena u blizini postojećih dovodnih i odvodnih crijeva i priključnog kabla. Ilustracija dimenzija kuhinjskih elemenata i mjesta postavljanja mašine za pranje sudova.

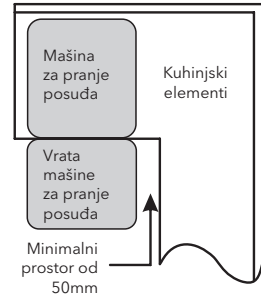
1. Manje od 5 mm između gornje površine mašine za pranje suda i kuhinjskog elementa, kao i vanjskih vrata u ravni sa kuhinjskim elementom.



2. Ako mašinu za pranje posuđa postavljate u krajnji ugao u odnosu na kuhinjske elemente, potrebno je da ostavite dovoljno mjesta za otvaranje vrata.

#### NAPOMENA!

Ovisno od toga gdje se nalazi otvor za električne instalacije, možda ćete morati proći kroz otvor na suprotnoj strani kuhinjskog elementa.



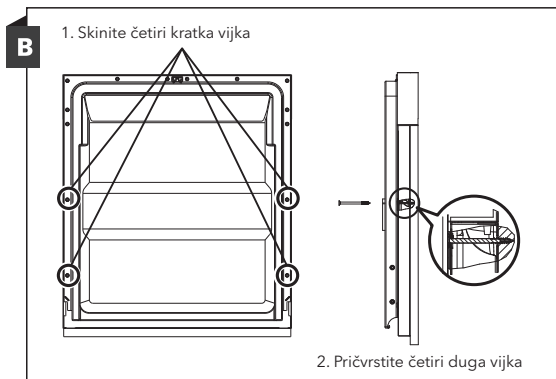
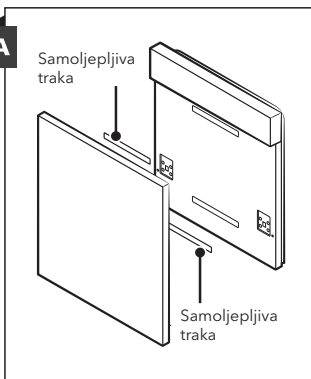
### Korak 2. Dimenzije i postavljanje dekorativnog front panela

#### NAPOMENA!

Ukrasnu drvenu tablu biste mogli napraviti na osnovu crteža koji se odnose na postavljanje uređaja.

#### Poluintegrirani model

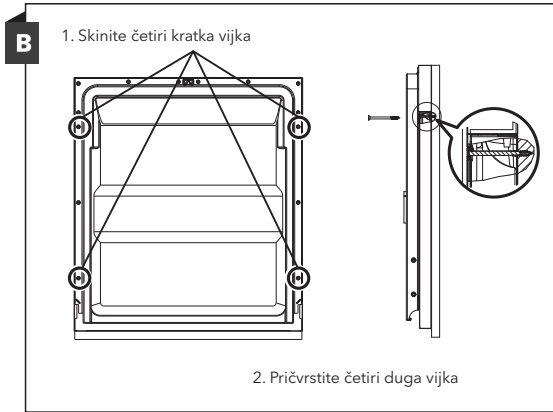
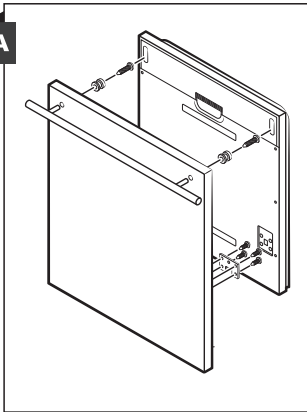
Odljepite samoljepljivu traku A sa samoljepljive trake B, a zatim samoljepljivu traku A zalijepite na drvenu prednju ploču, a samoljepljivu traku od filca B na vanjsku stranu vrata perilice posuđa (vidi sliku A). Nakon što pozicionirate tablu, pričvrstite je za vanjsku stranu vrata pomoću vijaka i zavrtanja (pogledajte sliku B).





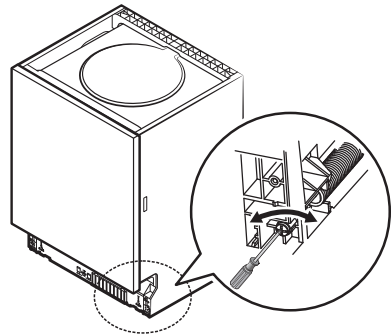
### Potpuno integrirani model

Pričvrstite nosač na ukrasnu drvenu tablu i postavite ga u otvor koji se nalazi na vanjskoj strani vrata mašine za pranje suda (pogledajte sliku A). Nakon pozicioniranja table, pričvrstite je za vanjsku stranu vrata pomoću vijaka i zavrtnja (pogledajte sliku B).



### Korak 3. Podešavanje zategnutosti opruge na vratima

1. Zategnutost opruga na vanjskim vratima je tvornički pravilno podešena. Ukoliko postavljate ukrasne drvene table, morate podesiti zategnutost opruge na vratima. Okrećite vijke za podešavanje kako biste regulator dodatno zategli ili kako biste opustili čeličnu sajlju.
2. Zategnutost opruge na vratima je pravilno podešena ako vrata ostaju u horizontalnom položaju kada su potpuno otvorena i ako se u zatvoreni položaj vraćaju podizanjem prstom uz najmanji napor.

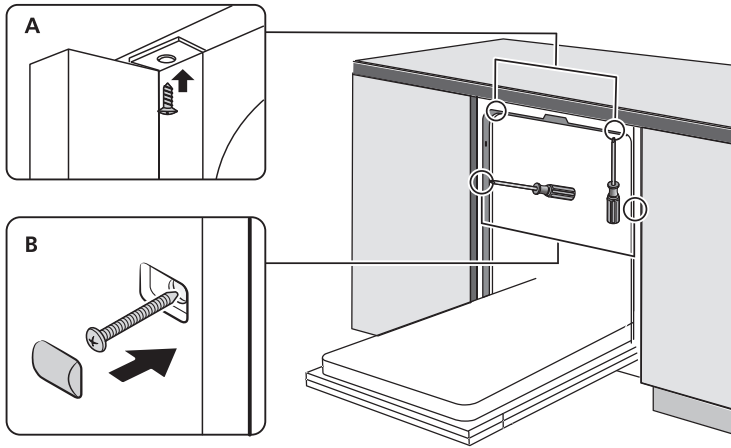


### Korak 4. Koraci za postavljanje mašine za pranje posuđa

#### ☰ NAPOMENA!

Pogledajte navedene korake za postavljanje uređaja na crtežima za postavljanje.

1. Ispod radne površine kuhinjskih elemenata pričvrstite bandaž traku. Pobrinite se da bandaž traka dobro naleže na rub radne površine. (Korak 2)
2. Povežite ulazno crijevo sa dovodom hladne vode.
3. Povežite odvodno crijevo.
4. Povežite priključni kabel.
5. Postavite mašinu za pranje suda na za nju predviđeno mjesto. (Korak 4)
6. Iznivelirajte mašinu za pranje suda. Zadnja nožica se može podešavati sa prednje strane mašine za pranje suda okretanjem križnog vijka koji se nalazi u sredini dna mašine za pranje suda i koristite križni odvijač. Da podesite prednje nožice, upotrijebite ravni odvijač i okrećite prednje nožice sve dok ne iznivelirate mašinu za pranje suda. (Korak 5 i Korak 6)
7. Postavite ukrasna vrata na vanjsku stranu vrata mašine za pranje suda. (Koraci 7 do 10)
8. Podesite zategnutost opruga na vratima pomoću imbus ključa koji ćete okretati u smjeru kretanja kazaljke na satu, čime ćete zategnuti i ljevu i desnu oprugu. Ukoliko to ne učinite, možete oštetiti svoju mašinu za pranje suda. (Korak 11)
9. Mašina za pranje suda mora biti dobro pričvršćena. Ovo se može učiniti na dva načina:
  - A. Normalna radna površina: Postavite nosač za pričvršćivanje u otvor na bočnom dijelu i pričvrstite ga za radnu površinu vijcima za drvo.
  - B. Mramor ili granitna radna površina: Pričvrstite vijcima sa bočne strane.

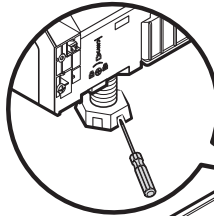


### Korak 5. Niveliranje mašine za pranje posuđa

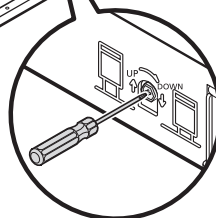
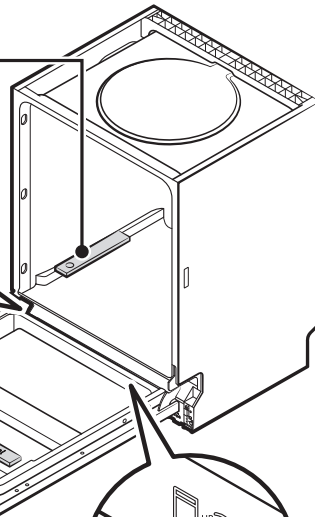
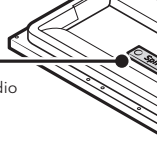
Mašina za pranje suđa mora biti iznivelirana radi pravilne upotrebe polica za suđe i boljeg učinka prilikom pranja.

1. Postavite libelu na vrata i na šinu police unutar prostora za pranje na način prikazan na slici kako biste provjerili da li je mašina za pranje suđa iznivelirana.
2. Iznivelirajte mašinu za pranje suđa tako što ćete zasebno podesiti svaku od tri nožice za niveliranje.
3. Prilikom niveliranja mašine za pranje posuđa, povedite računa da se mašina za pranje suđa ne okrene.

Provjerite izniveliranost prednjeg u odnosu na zadnji dio



Provjerite izniveliranost jednog u odnosu na drugi bočni dio



#### NAPOMENA!

Maksimalna visina podešavanja nožice iznosi 50 mm.

# SAVJETI ZA OTKLANJANJE KVAROVA

## Prije nego što nazovete servis

Pročitajte informacije prikazane na stranama koje slijede jer na taj način možete izbjeći pozivanje servisa.

Problem	Mogući uzroci	Što napraviti
Mašina za pranje suđa ne radi	Osigurač je pregorio ili je prekidač prekinuo strujni krug.	Zamjenite osigurač ili ponovo uključite prekidač. Isključite sve uređaje koji koriste isti strujni krug kao i mašina za pranje suđa.
	Napajanje nije uključeno.	Pobrinite se da je mašina za pranje suđa uključena i da su vrata dobro zatvorena. Pobrinite se da je priključni kabel pravilno priključen u utičnicu.
	Pritisak vode je nizak.	Provjerite da li je mašina pravilno povezana na dovod vode i da li je voda puštena.
	Vrata mašine za pranje suđa nisu pravilno zatvorena.	Pobrinite se da su vrata pravilno zatvorena i da su se zaključala.
Mašina za pranje suđa ne izbacuje vodu	Odvodno crijevo je presavijeno ili pritisnuto.	Provjerite odvodno crijevo.
	Filter je začepljen.	Provjerite ima li u filteru većeg otpada.
	Sudoper je začepljen.	Provjerite sudoper kako biste se uvjerali da dobro odvodi vodu. Ukoliko je problem izazvao sudoper koji ne odvodi vodu, vjerovatno će Vam vodoinstalater biti potrebniji od servisera mašina za pranje suđa.
Sapunica u prostoru za pranje	Neodgovarajući deterdžent.	Upotrebljavajte isključivo specijalni deterdžent za mašinsko pranje suđa kako biste izbjegli stvaranje sapunice. Ukoliko se ovo dogodi, otvorite mašinu za pranje sudova i pričekajte da sapunica ispari. Prospite otprilike 1 litar hladne vode na dno mašine. Zatvorite vrata mašine, a zatim izaberite bilo koji ciklus pranja. Mašina će, na početku, ispuštiti vodu. Po završetku faze ispuštanja vode, otvorite vrata i provjerite da li ima još sapunice. Po potrebi ponovite ovaj postupak.
	Sredstvo za ispiranje se izlilo.	Uvijek i odmah obrišite sredstvo za ispiranje ukoliko se izlije.
Fleke po unutrašnjem dijelu prostora za pranje	Možda je upotrebljavan deterdžent koji sadrži sredstvo za bojenje.	Uvjerite se da deterdžent ne sadrži sredstvo za bojenje.
Bijeli film po unutrašnjim površinama prostora za pranje	Minerali tvrde vode.	Za čišćenje unutrašnjosti koristite vlažnu spužvu koji sadrži deterdžent za mašinsko pranje suđa. Nosite gumene rukavice. Nikada ne koristite druga sredstva za čišćenje jer može doći do stvaranja pjene ili sapunice.
Na priboru za jelo se javljaju mrlje od hrđe	Pribor za jelo je napravljen od materijala koji nisu otporni na hrđu.	Izbjegavajte da u mašini za pranje suđa perete posude koje nije otporno na hrđu.
	Mašinu niste pustili u rad odmah po dodavanju soli. Tragovi soli su dospjeli u ciklus pranja.	Po dodavanju soli, uvijek uključite neki od programa pranja bez suđa u mašini. Ne uključujte opciju Turbo (ukoliko je mašina ima).
	Poklopac omeksiivača je labav.	Provjerite da li je poklopac omeksiivača sigurno postavljen.

Problem	Mogući uzroci	Što napraviti
U mašini za pranje suda se čuje udaranje	Ručica prskalice udara o neku posudu u košari	Prekinite program i ponovo rasporedite posude koje blokira ručicu prskalice.
U mašini za pranje suda se čuje zveckanje	Lomljivo posuđe u mašini za pranje suda nije raspoređeno tako da stoji stabilno.	Prekinite program i ponovo rasporedite lomljivo posuđe.
U cijevima za vodu se čuje udaranje	Razlog ovome može biti postavljanje na samom mjestu ili križanje cijevovoda.	Ovo ni na koji način ne utječe na rad mašine za pranje suda. Ukoliko imate bilo kakvih nedoumica, kontaktirajte kvalificiranog vodoinstalatera.
Posuđe nije čisto	Posuđe nije pravilno raspoređeno.	Pogledajte napomene DIJELU II „Priprema i raspoređivanje posuda u mašini za pranje suda“.
	Program nije dovoljno snažan.	Uključite intenzivniji program.
	Nije stavljeno dovoljno deterdženta.	Stavite više deterdženta ili promijenite deterdžent.
	Posuđe blokira kretanje ručica prskalice.	Ponovo rasporedite posuđe tako da prskalice mogu da se neometano okreću.
	Komplet filtera je zaprljan ili nije pravilno postavljen na dno prostora za pranje u mašini. Na ovaj način mogu se zablokirati mlaznice na ručicama prskalice.	Očistite i/ili pravilno postavite filter. Očistite mlaznice na ručicama prskalice.
Posuđe od stakla je mutno.	Kombinacija meke vode i prevelike količine deterdženta.	Ukoliko je voda koju koristite meka, upotrebljavajte manje deterdženta i koristite kraće cikluse za pranje staklenog posuda.
Na posudu i čašama se javljaju bele mrlje.	Upotreba tvrde vode može da izazove formiranje naslaga kamenca.	Provjerite postavke omekšivača vode ili napunite spremnik soli.
Na posudu se javljaju crne ili sive mrlje	Posuđe je bilo u snažnijem kontaktu sa priborom od aluminijuma.	Za uklanjanje spomenutih mrlja, koristite blago abrazivno sredstvo za čišćenje.
U posudi za deterdžent je ostao deterdžent	Posuđe blokira otvaranje posude za deterdžent.	Ponovo rasporedite posude na odgovarajući način.
Posuđe se ne suši	Posuđe nije pravilno raspoređeno.	Posložite posude kako je prikazano u uputama. Kako biste izbjegli iritaciju kože, buduću da se na posudu mogu pronaći ostaci deterdženta, koristite rukavice.
	Posuđe je prebrzo izvađeno iz mašine.	Nemojte vaditi posuđe iz mašine za pranje suda odmah po završetku ciklusa pranja. Malo otvorite vrata kako biste ispustili paru. Izvucite posuđe tek kada se temperatura unutar prostora za pranje dovoljno spusti da možete dodirivati predmete. Prvo izvadite posuđe sa donje košare, kako voda sa gornje košare ne bi kapala po donjoj.
	Uključili ste pogrešan program.	Kod kraćih programa, temperatura pranja je niža, što umanjuje učinak pranja. Izaberite program koji ima dugi period pranja.
	Upotreba pribora za jelo sa nekvalitetnim završnim slojem.	Postupak ocedivanje vode je teži kod ovakvog posuda. Pribor za jelo ili posude ovog tipa nisu pogodni za pranje u mašini za pranje sudova.

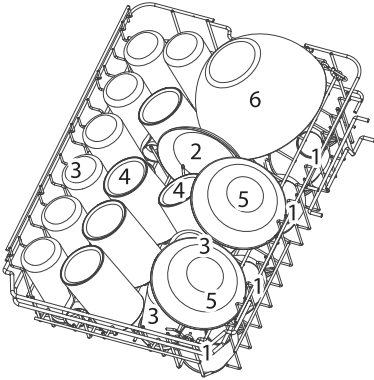
**UPOZORENJE!**

Popravlak uređaja od strane nekvalificirane osobe može ugroziti sigurnost korisnika uređaja. To također može promijeniti uvjete jamstva.

# RASPOREĐIVANJE POSUĐA U KOŠARICE U SKLADU SA STANDARDOM EN60436

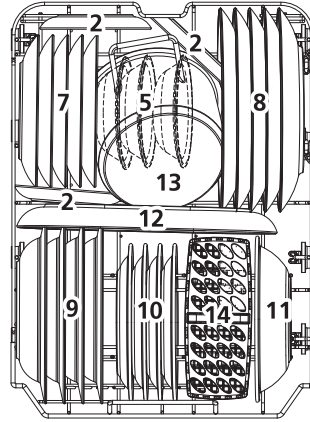
Korištenje punog kapaciteta perilice posuda pri punjenju doprinosi uštedi energije i vode.

## 1. Gornja košarica:



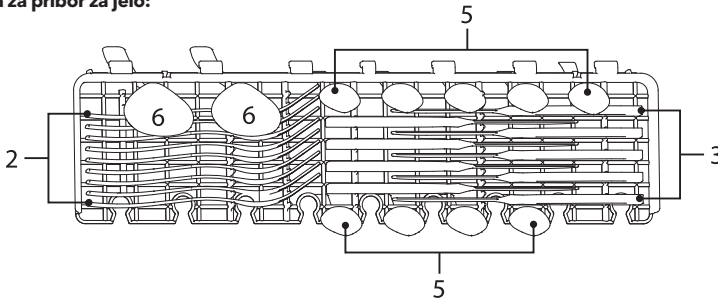
Broj	Stavka
1	Šalice
2	Tacne
3	Čaše
4	Krigle
5	Zdjele za desert
6	Staklena zdjela

## 2. Donja košarica:



Broj	Stavka
7	Tanjuri za desert
8	Tanjuri za jelo
9	Tanjuri za juhu
10	Tanjuri za desert od melamina
11	Zdjelice s melaminom
12	Oval
13	Mali lonac
14	Košara za pribor za jelo

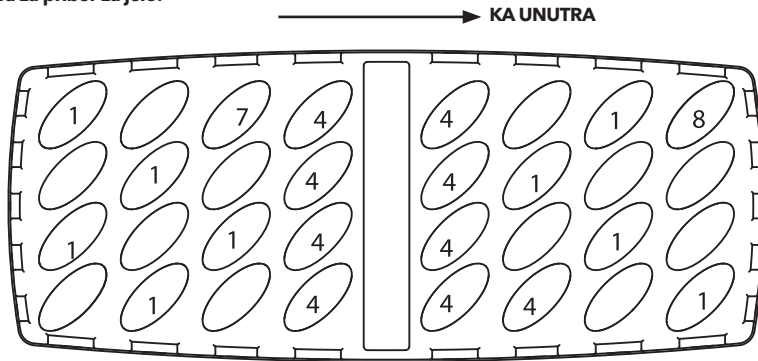
### 3. Polica za pribor za jelo:



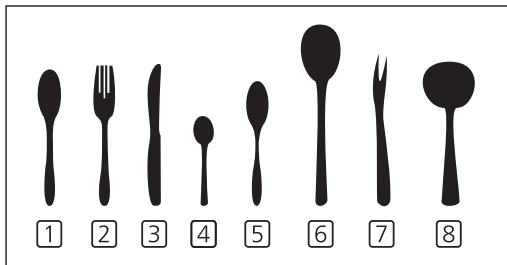
#### NAPOMENA!

Lagane, ravne komade escajga stavite na policu. Ukupna težina mora biti manja od 1,5 kg.

### 4. Košara za pribor za jelo:

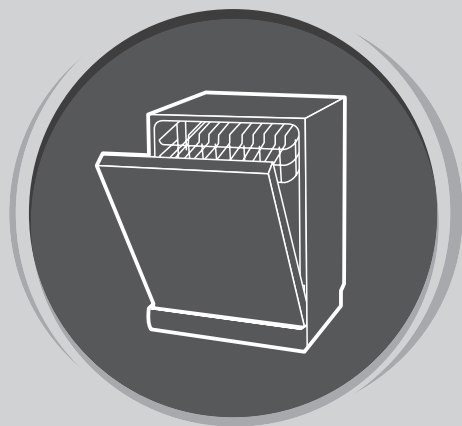


→ KA UNUTRA



Broj	Stavka
1	Žlice
2	Vilice
3	Noževi
4	Žličice za kavu
5	Žličice za desert
6	Žličice za serviranje
7	Vilice za serviranje
8	Šeplja

Informacije u vezi sa uporednim testovima u skladu sa standardom EN60436  
 Kapacitet: 9 kompleta  
 Pozicija gornje korpe: niža pozicija  
 Program: ECO (EKOLOŠKI)  
 Podešavanje za sredstvo za ispiranje: MAX (MAKSIMALNO)  
 Podešavanje za omekšivač: H3



# PERILICA POSUĐA

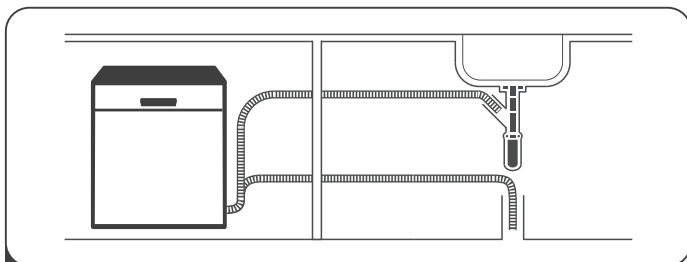
Uputstvo  
za upotrebu

**DIO II: UPUTSTVO ZA  
ODREĐENI MODEL  
WDI461M**

Prije upotrebe mašine za pranje sudova, pažljivo pročitajte  
ovo uputstvo i sačuvajte ga za buduću upotrebu.

# KRATKE KORISNIČKE UPUTE

Za detaljnije informacije o načinu rukovanja, pročitajte odgovarajući sadržaj u uputstvu za upotrebu.

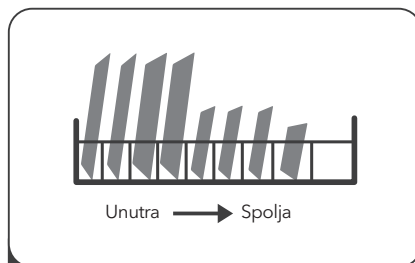


**1** Postavite mašinu za pranje sudova

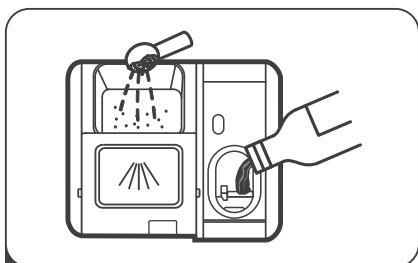
(Pogledajte odeljak 5 „**UPUTSTVA ZA POSTAVLJANJE**“ u okviru **DIJELA I: OPĆE UPUTE.**)



**2** Uklonite veće nečistoće iz posuda. Izbjegavajte prethodno ispiranje.



**3** Rasporedite posude u košare



**4** Napunite spremnik deterdženta / sredstva za ispiranje.

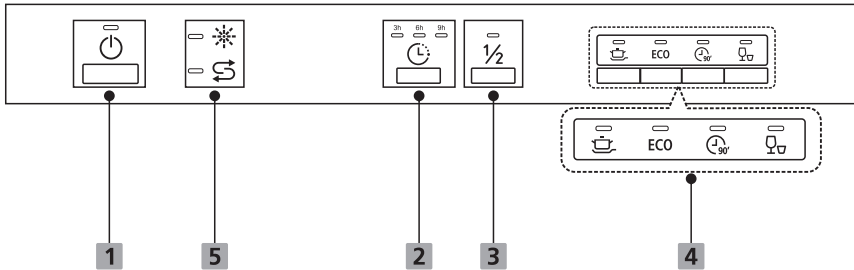


**5** Odaberite odgovarajući program i uključite perilicu posuda.



# UPOTREBA VAŠE MAŠINE ZA PRANJE POSUĐA




## Kontrolna tabla







### Opcija

- 1** Napon Pritisnite ovu tipku, da biste uključili svoju mašinu; kontrolna tabla će zasvijetliti.
- 2** Odloženi početak Pritisnite ovu tipku, da biste podesili sate odlaganja početka pranja.
- 3** Polovina kapaciteta Ako imate otprilike polovicu od ukupnog broja kompleta za pranje posuđa ili manje, možete odabrati ovu funkciju radi uštede energije i vode. (Ova funkcija se može koristiti samo u okviru načina Intenzivno, ECO (Ekološki), 90 min)

Izaberite odgovarajući program pranja, na indikatoru izabranog programa uključuje se svjetlo.

- 4** Program
- Intenzivno**  
 Za veoma zaprljano posuđe, kao što su lonci i tave. Sa skorenom hranom.
- ECO ECO**  
 Ovo je standardni program podesan za normalno zaprljano stolno posuđe, kao što su tave, tanjuri i čaše i za manje zaprljane lonce.
- 90 Min**  
 Za normalno zaprljano posuđe koje treba brzo oprati.
- Ubrzano**  
 Kraći program pranja za blago zaprljano posuđe koje ne treba da se suši.

### Ekran

- 5** Upozorenje Indikator
- Sredstvo za ispiranje**  
 Ukoliko je uključena ikonica indikatora , u mašini za pranje posuđa nema dovoljno sredstva za ispiranje i potrebno ga je dopuniti.
- So**  
 Ukoliko je uključena ikonica indikatora , u mašini za pranje posuđa nema dovoljno soli i potrebno je dopuniti.

## Omekšivač vode

Omekšivač vode se mora ručno podesiti pomoću brojčanika za tvrdoću vode.

Omekšivač vode je napravljen da iz vode ukloni minerale i soli, koji bi inače imali štetno ili nepovoljni utjecaj po rad uređaja.

Što je veći sadržaj minerala u vodi koju koristite, to je ona tvrđa.

Količinu omekšivača treba podesiti prema tvrdoći vode u okrugu u kojem živite. Od lokalnog nadležnog organa zaduženog za vodu možete dobiti informacije u vezi sa tvrdoćom vode u okrugu u kojem živite.

### Podešavanje utroška soli

Mašina za pranje posuda je napravljena tako da omogućava podešavanje količine utrošene soli na osnovu tvrdoće vode koja je u upotrebi. Cilj je da se nivo utroška soli optimizira i prilagodi svakom zasebnom slučaju.

Za podešavanje potrošnje soli, pratite sljedeće korake:

1. Uključite uređaj i zatvorite vrataj;
2. Pritisnite gumb za način brzog pranja i držite tlak više od 5 sekundi, treptanje indikatora razine soli označava pristup postavkama omekšivača vode. Postavite način rada u roku od 60 sekundi nakon aktivacije uređaja.
3. Pritisnite gumb Početak/Pauziranje kako biste izabrali odgovarajuće podešavanje prema sredini u kojoj se nalazite. Podešavanja će se smjenjivati sljedećim redoslijedom: H3->H4->H5->H6->H1->H2->H3;
4. Pritisnite gumb Uključivanje/Isključivanje kako bi ste napustili režim podešavanja.

TVRDOĆA VODE				Nivo omekšivača vode	Regeneracija se dešava na svakih X program sekvenci <sup>1)</sup>	Potrošnja soli (grama/ciklusu)
Njemački °dH	Francuski °fH	Britanski °Klarkov	Mmol/l			
0 - 5	0 - 9	0 - 6	0 - 0.94	H1-> Uključena lampica načina Brzo pranje	Nema regeneracije	0
6 - 11	10 - 20	7 - 14	1.0 - 2.0	H2-> Uključena lampica načina 90 min	10	9
12 - 17	21 - 30	15 - 21	2.1 - 3.0	H3-> Uključena lampica načina 90 min, Brzo pranje	5	12
18 - 22	31 - 40	22 - 28	3.1 - 4.0	H4-> Uključena lampica načina ECO (Ekološki)	3	20
23 - 34	41 - 60	29 - 42	4.1 - 6.0	H5-> Uključena lampica načina ECO (Ekološki), Brzo pranje	2	30
35 - 55	61 - 98	43 - 69	6.1 - 9.8	H6-> Uključena lampica načina ECO (Ekološki), 90 min	1	60

1°dH=1.25 °fH=0.178mmol/l °Klarkov=1.78

Tvorničko podešavanje: H3

Za informacije u vezi sa tvrdoćom vode koju koristite, kontaktirajte lokalni nadležni organ zadužen za vodu.

<sup>1)</sup> Svaki ciklus s opcijom regeneracije troši dodatnih 2l vode, potrošnja energije se povećava za 0,02 kWh, a program se produžuje za 4 minute.

### NAPOMENA!

Provjerite odeljak 3 "Stavljanje soli u omekšivač", DIO I: OPĆA uputstva, ukoliko u vašoj perilici nema dovoljno soli.

### NAPOMENA!

**Ukoliko se u okviru Vašeg modela uređaja ne upotrebljava omekšivač vode, ovaj odjeljak možete preskočiti.**

### Omekšivač vode

Tvrdoća vode se razlikuje od mjesta do mjesta. Ukoliko mašina za pranje suda koristi tvrdnu vodu, pojavit će se naslage na posudama i priboru za jelo.

Uređaj je opremljen posebnom pregradom za omekšivač i ima posudu za sol, što je posebno dizajnirano za eliminiranje kamenca i minerala iz vode.

## Pripremanje i raspoređivanje posuđa u uređaju

- Razmislite o kupovini pribora za jelo, koji je označen kao "siguran za pranje u suderici".
- Za određene posude izaberite program s najnižom mogućom temperaturom.
- Kako biste izbjegli oštećenja, čaše i pribor za jelo ne vadite iz mašine za pranje suđa odmah nakon što program završi s radom.

### Sljedeći tipovi pribora za jelo/posuđa

#### nisu pogodni za pranje:

- Pribor za jelo sa drvenim, porculanskim ili sedefastim drškama
- Plastični predmeti koji nisu otporni na visoke temperature
- Stariji tipovi pribora za jelo sa zaljepljenim dijelovima koji nisu otporni na visoke temperature
- Ljepljeni pribor za jelo ili posude
- Posude od lima ili zdjela Kristalne čaše
- Posude od čelika podložnog hrđanju
- Drveni ovali
- Posude od sintetičkih vlakana

#### su djelimično pogodni za pranje:

- Neke vrste čaša mogu poslije većeg broja ciklusa pranja izgubiti sjaj
- Dijelovi od srebra i aluminija obično promjene boju tokom pranja
- Ukoliko se često peru u mašini, glazirani elementi mogu potamni

### Preporuke za raspoređivanje posuđa u mašini

Uklonite veće komade preostale hrane. Razmekšajte ostatke zagorene hrane u tavama. Nije neophodno isprati posude tekućom vodom.

Za najbolji učinak mašine za pranje suđa, pratite sljedeće smjernice za raspoređivanje posuđa u mašini.

### (Karakteristike i izgled košara i košara za pribor za jelo mogu se razlikovati od košara u okviru Vašeg modela.)

Predmete rasporedite u mašini za pranje suđa na sljedeći način:

- Posude poput šalice, čaša, lonaca/tava itd. postavite u obrnuti položaj.
- Zakrivljeno posude i posude sa nepristupačnim dijelovima treba postaviti dijagonalno, kako bi voda mogla da se nesmetano sljeva.
- Kompletan pribor treba naslagati tako da bude stabilan i da se ne prevrne.
- Kompletan pribor treba postaviti tako da ručice prskalice mogu slobodno okretati tokom procesa pranja.
- Šuplje posude, poput šalice, čaša, tavi itd., postavite tako da otvor bude okrenut prema dolje, kako se voda ne bi sakupljala u posudi ili dubokom dnu.
- Posude i pribor za jelo se ne smiju smještati jedni u druge i zaklanjati jedni druge. Kako biste izbjegli oštećenje čaša, povedite računa da se one ne dodiruju.
- Gornja košara je predviđena za delikatanije i lakše posude, poput čaša i šalice za kavu i čaj.
- Noževi dugih oštrica postavljeni u uspravan položaj predstavljaju potencijalnu opasnost!
- Dugi i / ili oštri komadi pribora za jelo, poput noževa za rezanje, moraju se postavljati u gornju košaru, u horizontalnom položaju.
- Nemojte pretjerano opteretiti svoju mašinu za pranje suđa. Postoje dobri razlozi zbog kojih je ovu smjernicu važno ispoštovati, a jedan od razloga je i razumna potrošnja energije.


### NAPOMENA!

Izuzetno male predmete ne treba prati u mašini za pranje suđa, jer mogu lako ispasti iz košari.

### Vađenje posuđa

Kako biste spriječili kapanje vode sa gornje na donju košaru, preporučujemo Vam da najprije izvadite sadržaj donje, a onda i gornje košare.

### UPOZORENJE!

 **Posude će biti vrelo!** Kako biste izbjegli oštećenja, čaše i pribor za jelo ne vadite iz mašine za pranje suđa najmanje 15 minuta nakon što program završi s radom.

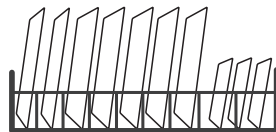
### Raspoređivanje posuda u gornju košaru

Gornja košara je predviđena za osjetljivije i lakše posude, poput čaša, šalica za kavu i čaj i tacni, kao i tanjura, malih zdjela i plitkih tavi (ukoliko nisu pretjerano zaprljani). Posude i elemente za kuhanje postavite tako da ne može da ih pomicati mlaz vode.



### Raspoređivanje posuda u donju košaru

Predlažemo Vam da u donju košaru rasporedite veliko posude, kao i posude koje se najteže pere: poput posuda, tavi, poklopaca, servisnog posuda i zdjela, na način prikazan na slici. Najbolje je da servisno posude i poklopce postavite sa strane polica, kako ne biste blokirali okretanje gornje ručice prskalice. Savjetujte se da se ispred posude za deteržent ne stavljate tanjure čiji je promjer veći od 19 cm, da ne bi došlo do njenog blokiranja.



### Raspoređivanje posuda u košaru za pribor za jelo

Pribor za jelo treba razvrstati u polici za pribor za jelo, tako da svaki element pribora za jelo stoji zasebno, na za njega predviđenom mjestu. Osim toga, povedite računa da pribor ne bude pregusto grupiran, jer to za rezultat može imati loš učinak uređaja.



#### UPOZORENJE!



Ne dozvolite da dijelovi posuda proviruju kroz dno.

Oštar pribor uvijek postavljajte sa oštirim vrhom okrenutim prema dolje!



#### NAPOMENA!

Za najbolji efekat pranja, posude raspoređujte u košare u skladu sa standardnim načinima raspoređivanja, navedenim u posljednjem odjeljku DIJELA I: OPĆE UPUTE

## Uloga sredstva za ispiranje i deterdženta

Sredstvo za ispiranje se ispušta tokom posljednjeg ispiranja kako bi spriječio da se voda na Vašem posudu formira u kapi, koje mogu ostaviti kružne i prugaste mrlje. Osim toga, ovo sredstvo poboljšava sušenje jer vodi omogućava da sklizne sa posuda. Predviđeno je da se u Vašoj mašini za pranje posuda upotrebljavaju tekuća sredstva za ispiranje.




#### UPOZORENJE!

U mašinu za pranje suda stavljajte samo brendirana sredstva za ispiranje. Nikada ne stavljajte neke druge supstance (npr. sredstvo za čišćenje mašine za pranje suda, tekući deterdžent) u posudu za sredstvo za ispiranje. Na taj način možete oštetiti uređaj.

### Kada je potrebno dopuniti posudu za sredstvo za ispiranje

Učestalost potrebe za punjenjem spremnika ovisit će o učestalosti pranja posuda, kao i o aktiviranoj postavci sredstva za ispiranje.

Lampica indikatora koja ukazuje na nisku razinu sredstva za ispiranje u spremniku (  ) uključit će se kada bude bilo potrebno dopuniti sredstvo za ispiranje. Nemojte prepunjavati spremnik sredstva za ispiranje.

### Uloga deterdženta

Kemijski sastojci u deterdžentu su neophodni za skidanje, usitnjavanje i izbacivanje svih vrsta prljavštine iz mašine za pranje posuda. Većina deterdženata komercijalnog kvaliteta odgovara ovoj vrsti.



#### UPOZORENJE!

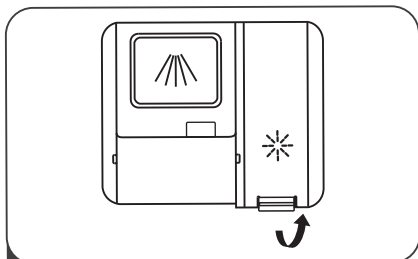
### Pravilna upotreba deterdženta

Upotrebljavajte isključivo deterdžente posebno napravljene za mašine za pranje suda. Čuvajte detardente tako da ostanu svježi i suhi. Ne stavljajte praškaste deterdžente u posudu za deterdžent sve dok ne budete spremni da uključite mašinu za pranje suda.

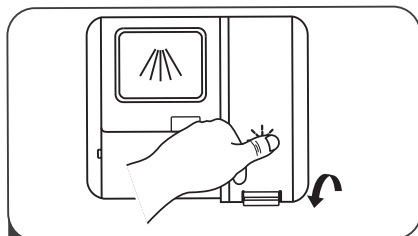


**Deterdžent za mašinsko pranje suda je korozivan!**  
**Držite deterdžent za mašinsko pranje suda van dosega djece.**

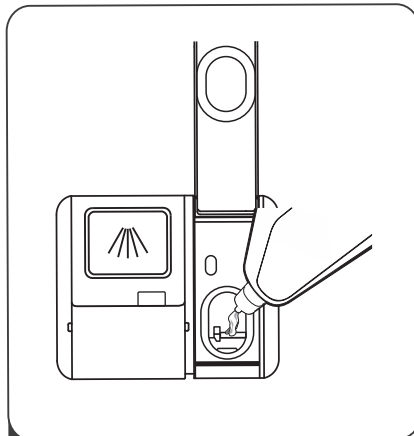
## Punjenje spremnika za sredstvo za ispiranje



**1** Uklonite poklopac spremnika sredstva za ispiranje tako što ćete podići ručicu.



**3** Nakon obavljenog postupka, zatvorite poklopac.



**2** Sipajte sredstvo za ispiranje u spremnik, pazite pritom da ga ne prepunite.

### Podешavanje spremnika sredstva za ispiranje

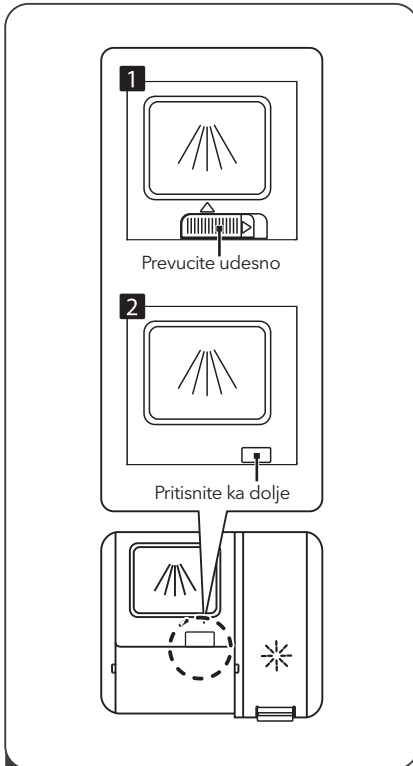
Za postizanje boljih performansi sušenja i uz ograničenu uporabu sredstva za ispiranje, perilica posuda je dizajnirana tako da omogućuje prilagodbu potrošnje prema potrebama korisnika.

Pratite sljedeće korake.

1. Otvorite vrata. Uključite uređaj.
2. U roku od 60 sekundi nakon što ste obavili korak 1, pritisnite tipku načina za brzo pranje i zadržite pritisak duže od 5 sekundi, a zatim pritisnite tipku za odgođeni start kako biste pristupili opcijama za podešavanje; indikator sredstva za ispiranje će treperiti pri frekvenciji od 1 Hz.
3. Pritisnite tipku načina za brzo pranje kako biste odabrali odgovarajuće podešavanje, u skladu sa Vašim navikama pri pranju posuda. Podešavanja će se smanjivati sljedećim redoslijedom: D1->D2->D3->D4->D5->D1. Što je broj veći, to će biti i veća količina sredstva za ispiranje koju perilica posuda koristi.
4. Pritisnite tipku za uključivanje/isključivanje kako biste kompletirali postupak podešavanja.

**Razina sredstva za ispiranje****Pozicija tipke za odabir programa**

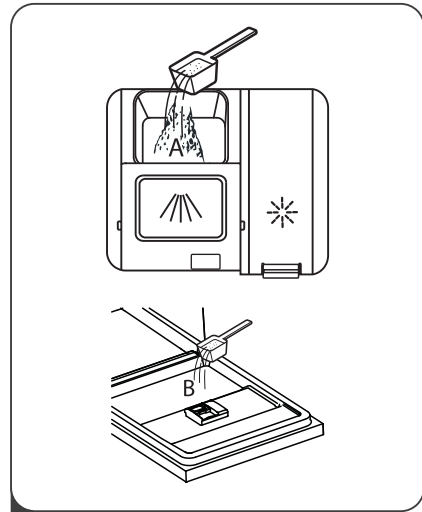
D1	D1-> Uključena lampica načina Brzo pranje
D2	D2-> Uključena lampica načina 90 min
D3	D3-> Uključena lampica načina Brzo pranje, 90 min
D4	D4-> Uključena lampica načina ECO (Ekološki)
D5	D5-> Uključena lampica načina Brzo pranje, ECO (Ekološki)

**Punjenje posude za deterđent**

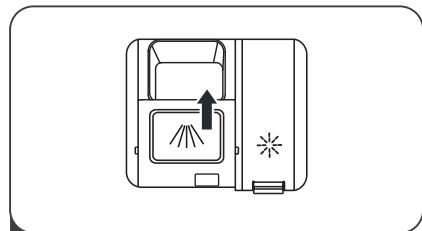
- 1** Način otvaranja odaberite ovisno o realnom uređaju.
1. Otvorite poklopac pomicanjem zasuna za otpuštanje.
  2. Otvorite poklopac pritiskom na zasun za otpuštanje.

**NAPOMENA**

- Imajte u vidu da podešavanja mogu da se razlikuju zavisno od stepena zaprljanosti vode.
- Pridržavajte se preporuka proizvođača navedenih na ambalaži deterđenta.



- 2** Dodajte deterđent u veći otvor (A) za glavni ciklus pranja. Za bolje rezultate pranja, pogotovo ako imate izuzetno prljavo posuđe, na vrata nalijte malu količinu deterđenta. Ova dodatna količina deterđenta aktivirat će se tijekom faze pretpranja.






- 3** Zatvorite poklopac tako da ga pomaknete prema naprijed, a zatim pritisnete.

# PROGRAMIRANJE PERILICE ZA PRANJE POSUĐA

## Tabela ciklusa pranja

U tabeli ispod prikazani su najprikladniji programi prema stupnju ostataka hrane na posudu i potrebnoj količini deterdženta. Osim toga, prikazani su i razni podaci u vezi sa programima. Vrijednosti potrošnje i trajanja programa su okvirne, osim za EKO (ekološki) program.

Oznaka ● predstavlja potrebu za dodavanjem sredstva za ispiranje u posudu za sredstvo za ispiranje.

Program	Opis ciklusa	Deterdžent za pretpranje/ glavno pranje	Vrijeme trajanja ciklusa (min)	Energija (kWh)	Voda (L)	Sredstvo za ispiranje
 <b>Intenzivno</b>	Pretpranje (50°C)					
	Pranje (65°C)					
	Ispiranje	4+13 g	205	1.378	15.3	●
	Ispiranje (65°C)	1 ili 2 komada				
	Sušenje					
<b>ECO</b> (*EN 60436)	Pranje (45°C)		235	0.704	9.0	●
	Ispiranje	17 g				
	Ispiranje (55°C)					
	Sušenje					
 <b>90 minuta</b>	Pranje (60°C)		90	1.234	10.2	●
	Ispiranje	17 g				
	Ispiranje (65°C)	1 komad				
	Sušenje					
 <b>Rapid</b>	Pranje (50°C)		30	0.611	10.0	○
	Ispiranje	12 g				
	Ispiranje (45°C)					

### NAPOMENA

#### **ECO** (\*EN 60436)

ECO program prikladan je za čišćenje normalno zaprljanog posuđa, jer je (\* EN60436) za ovu uporabu najučinkovitiji program u smislu njegove kombinirane potrošnje energije i vode, a koristi se za ocjenu usklađenosti sa zakonodavstvom EU o ekodizajniranju.

## Štednja energije

1. Predispiranje posuđa dovodi do povećane potrošnje vode i energije i ne preporučuje se.
2. Pranje posuđa u perilici posuđa u kućanstvu obično troši manje energije i vode u fazi upotrebe od ručnog pranja posuđa kada je perilica posuđa u kućanstvu koristi se prema uputama.

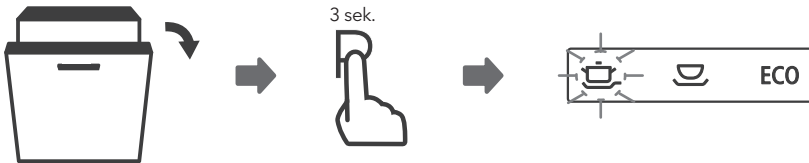
## Započinjanje ciklusa pranja

1. Izvucite donju i gornju košaru, rasporedite posuđe i vratite ih u uređaj. Preporučuje se da najprije rasporedite posuđe na donjoj, a zatim na gornjoj košari.
2. Ulijte deterdžent.
3. Priključite utikač u utičnicu. Za podatke o napajanju, pogledajte odjeljak „Karakteristike proizvoda“, na posljednjoj strani. Osigurajte se da dovod vode bude uključen i pod punim pritiskom.
4. Zatvorite vrata, pritisnite tipku za uključivanje, kako biste pustili uređaj u rad.
5. Izaberite program, nakon čega će se uključiti svjetlo indikacije. Zatim pritisnite tipku Početak/Pauziranje i uređaj za pranje posuđa će započeti svoj ciklus.

## Mjenjanje programa u toku započetog ciklusa

Ciklus pranja koji je u toku se može promijeniti samo ukoliko nije proteklo mnogo vremena od početka rada uređaja. U suprotnom, uređaj je možda već ubacio deterdžent u ciklus pranja i ispuštao vodu sa sapunicom. U tom slučaju, uređaj je neophodno ponovo podesiti, a posudu za deterdžent dopuniti. Da ponovo podesite uređaj, pratite dolje prikazana uputstva:

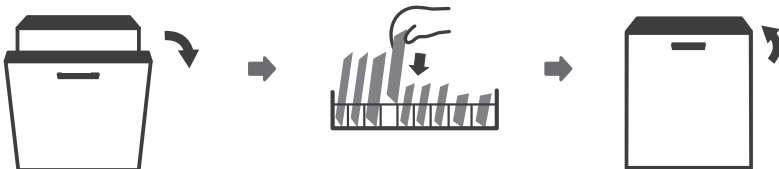
1. Otvorite malo vrata, kako biste zaustavili rad mašine za pranje posuda, nakon što ručica prskalice prestane da radi, vrata možete otvoriti širom.
2. Pritisnite tipku Program i držite duže od tri sekunde i mašina će preći u režim čekanja.
3. Možete promijeniti program na željenu postavku ciklusa.



## Zaboravili ste da dodate posudu?

Posudu koju ste zaboravili da stavite u mašinu možete dodati u bilo kom trenutku prije nego što se otvori posuda za deterdžent. U tom slučaju, pratite sljedeća uputstva:

1. Otvorite malo vrata, kako biste zaustavili ciklus pranja.
2. Nakon što ručica prskalice prestane s radom, možete širom otvoriti vrata.
3. Dodajte posude koje ste zaboravili da stavite u mašinu.
4. Zatvorite vrata.
5. Mašina za pranje sudova će ponovo početi s radom.



### UPOZORENJE!



Opasno je otvarati vrata mašine u toku započetog ciklusa, jer možete zadobiti opekotine od vrele pare.



# OZNAKE GREŠAKA

U slučaju nepravilnog rada, na mašini za pranje posuđa će biti prikazane oznake grešaka, kojima se identificiraju sljedeći slučajevi:

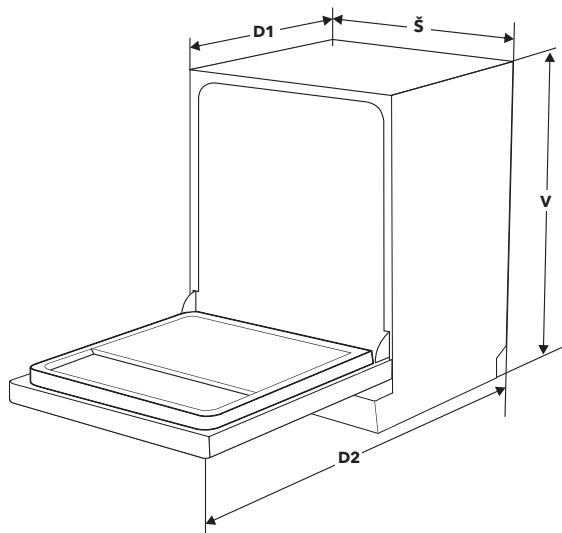
Oznake	Značenje	Mogući razlozi
Indikator ubrzanog pranja neprekidno treperi	Produženo vrijeme primanja vode.	Slavine nisu odvrnute ili je ulaz vode blokiran ili je pritisak vode prenizak.
Indikator 90-minutnog i Ubrzanog pranja neprekidno trepere	Ne može se dostići zadata temperatura.	Neispravan grijač.
Indikator ECO pranja neprekidno treperi	Preljevanje.	Neki dio mašine za pranje sudova propušta vodu.
Svjetlosni indikator načina Intenzivno, ECO (Ekološki), i Brzo pranje ubrzano trepere	Prekid komunikacije između glavne tiskane ploče i tiskane ploče za zaslon.	Prekinuti krug ili prekid veze radi uspostavljanja komunikacije.



## UPOZORENJE!

- Ukoliko dođe do preljevanja vode, prije nego što pozovete servis, isključite glavni ventil za vodu.
- Ukoliko na dnu mašine ima vode zbog preliivanja ili manjeg propuštanja vode, prije ponovnog pokretanja uređaja ovu vodu treba ukloniti.
- Ako postoji kod pogreške koji se ne može riješiti, potražite stručnu pomoć od serviser.

## TEHNIČKI PODACI



<b>Visina (V)</b>	815 mm
<b>Širina (Š)</b>	448 mm
<b>Dubina (D1)</b>	550 mm (sa zatvorenim vratima)
<b>Dubina (D2)</b>	1150 mm (sa vratima otvorenim pod uglom od 90°)

## Lista sa informacijama o proizvodu (EN60436)

**Naziv ili zaštitni znak dobavljača:** Tesla

**Adresa dobavljača (b):**

**Identifikacioni kod modela:** WDI461M

### Opći parametri proizvoda:

Parametar	Vrijednost	Parametar	Vrijednost	
Nominalni kapacitet (*) (kompleta)	9	Dimenzije u cm	Visina	82
			Širina	45
			Dubina	55
EEI (*)	55,9	Razred energetske učinkovitosti (*)	E (c)	
Indeks učinkovitosti čišćenja (*)	1,125	Indeks učinkovitosti sušenja (*)	1,065	
Potrošnja energije izražena u kWh [po ciklusu], zasnovana na programu eco (ekološki), uz upotrebu hladne vode. Realna potrošnja energije ovisit će o načinu na koji se uređaj upotrebljava.	0,704	Potrošnja vode izražena u litrima [po ciklusu], zasnovana na programu eco (ekološki). Realna potrošnja vode ovisit će o načinu na koji se uređaj upotrebljava i o tvrdoći vode.	9,0	
Trajanje programa (*) (č: min)	3:55	Vrsta	Ugradbeno	
Emitiranje buke koja se prenosi zrakom (*) (dB(A) re 1 pW)	49	Razred emitiranja buke koja se prenosi zrakom (*)	C (c)	
Način „Isključeno“ (Off) (W)	0,49	Način pripravnosti (Standby) (W)	N/A	
Odgoda starta (W) (ukoliko je primjenjivo)	1,00	Mrežna pripravnost (W) (ukoliko je primjenjivo)	N/A	

### Minimalno trajanje garancije ponuđeno od strane dobavljača (b):

#### Dodatne informacije:

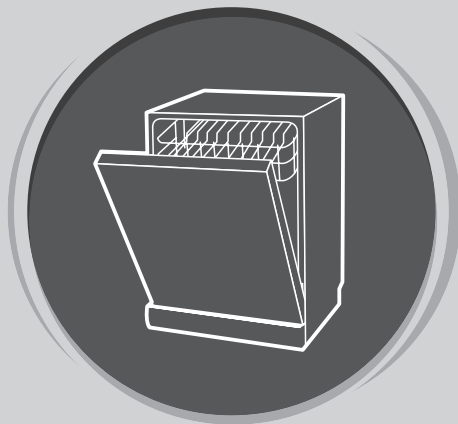
Link koji vodi ka web stranici dobavljača, a na kojoj su dostupne informacije navedene pod točkom 6 Aneksa II Uredbe Komisije (EU) 2019/2022 (1) (b):

(\*) za program eco (ekološki).

(b) izmjene u okviru ovih stavki se neće smatrati relevantnima za svrhe stavke 4 Članka 4 Uredbe (EU) 2017/1369.

(c) ukoliko se u okviru baze podataka o proizvodu automatski generira kompletan sadržaj ovog polja, dobavljač neće unijeti spomenute podatke.

(1) Uredba Komisije (EU) 2019/2022 od 1. listopada 2019. godine, kojom se utvrđuju zahtjevi u smislu ekološkog dizajna uređaja za pranje posuda u domaćinstvu, a u skladu sa Direktivom 2009/125/EC Europskog parlamenta i Savjeta, kojom se vrši izmjena i dopuna Uredbe Komisije (EK) 1275/2008 i izvan snage stavlja Uredbe Komisije (EU) 1016/2010 (pogledajte na stranici 267 ovog Službenog glasnika).



# MOSOGATÓGÉP

## Használati útmutató

### ELSŐ RÉSZ: ÁLTALÁNOS ÚTMUTATÓ

A mosogatógép használata előtt, kérjük figyelmesen olvassa el a használati útmutatót, és őrizze meg későbbi felhasználás céljából.

# BIZTONSÁGI ELŐÍRÁSOK



## FIGYELMEZTETÉS!

A mosogatógép használata során az alábbi óvintézkedéseket tartsa be:

- A készülék beüzemelését és javítását kizárólag megfelelő végzettséggel rendelkező szakember végezheti.
- A berendezés háztartási célra, és az alábbiakhoz hasonló helyeken történő használatra ajánlott:
  - személyzeti konyhákban, irodákban és egyéb munkahelyeken;
  - falusi vendéglátási szálláshelyeken;
  - hotelek, motelek és más szálláshelyek vendégei részére;
  - önellátó szálláshelyeken.
- A készüléket 8 év alatti gyermekek, valamint fizikai, érzékszervi vagy értelmi képességeikben korlátozott, illetve a készüléket és annak használatát nem ismerő személyek csak felügyelet mellett használhatják, vagy abban az esetben, ha a berendezés biztonságos módon történő használatára és az ezzel járó veszélyekre vonatkozó szabályokat megismerték. Ne hagyja, hogy a gyermekek a készülékkel játszanak. A berendezés tisztítását és karbantartását gyermekek csak szülői felügyelet mellett végezzék. (EN60335-1)
- A készülék használata gyermekek, valamint fizikai, érzékszervi vagy értelmi képességeikben korlátozott, illetve a készüléket és annak használatát nem ismerő személyek számára nem ajánlott, kivéve, ha a biztonságukért felelős személy a berendezés biztonságos módon történő használatára és az ezzel járó veszélyekre vonatkozó szabályokat megismerte. (IEC60335-1)
- A csomagolóanyag a gyermekek számára veszélyes lehet! A készülék csak beltéri, háztartási használatra szolgál.
- Az áramütés veszélyének elkerülése érdekében ügyeljen rá, hogy a készülék elektromos részei, a vezetéket, a hálózati csatlakozót ne érje víz, vagy egyéb folyadék. Tisztítás és karbantartás előtt áramtalanítsa a készüléket.
- A tisztításhoz használjon szappanos vízzel benedvesített puha ruhát, majd törölje szárazra a készüléket.



## Földelésre vonatkozó utasítások

- A készüléket minden esetben földeléssel kell ellátni. Meghibásodás esetén a földelés csökkenti az áramütés kockázatát. Ez a készülék földelt vezetékkel van ellátva.
- A készüléket csak megfelelően felszerelve és a szabványoknak megfelelő, földeléssel ellátott fali aljzattal használja.
- A helytelen földelés áramütést okozhat.
- A védőföldelésre vonatkozó bármilyen kérdés esetén forduljon szakképzett villanyszerelőhöz vagy a szervizhez

- A készüléket csak a hozzá tartozó vezetékkel használja.
- A beüzemeléshez kérje megfelelően képzett szakember segítségét.
- Ne rongálja meg, ne üljön és ne álljon a mosogatógép ajtajára.
- A mosogatógépet csak megfelelően beszerelt és üzembehelyezett állapotban használja.
- Működés közben óvatosan nyissa ki a mosogatógép ajtaját a víz kifröccsenhet.
- Ne tegyen nehéz tárgyakat és ne álljon rá a mosogatógép nyitott ajtajára. A készülék megbillenhet.
- A mosogatógépbe történő pakolásnál ügyeljen a következőkre:
  1. Az éles tárgyakat úgy helyezze el, hogy azok ne tegyenek kárt a mosogatógépben;
  2. Figyelem: Az éles hegyű késeket és egyéb eszközöket hegyükkel lefelé, vagy vízszintes helyzetbe helyezze a mosogatógépbe.
- Néhány mosogatógép tableta és mosószer erősen lúgos hatású, melyek lenyelés esetén rendkívül veszélyesek lehetnek. Kerülje a bőrrel és a szemmel való érintkezést, és tartsa távol a gyerekeket a mosogatógéptől, ha az ajtó nyitva van.
- A mosási folyamat végén ellenőrizze, hogy a tableta tartalva kiürült-e.
- Csak akkor mossa a műanyag eszközöket, ha azok "mosogatógépben mosható (dishwasher safe)" vagy ezzel egyenértékű jelöléssel vannak ellátva.
- Jelölés hiányában kövesse a gyártó utasításait.
- Csak az előírásoknak megfelelő, automata mosogatógépben használható mosogatószert, tablettát és öblítőt használjon.
- Soha ne használjon szappant, mosószert vagy kézi mosogatószert a mosogatógépben.
- Botlásveszély miatt a mosogatógép ajtaját ne hagyja nyitva.
- A sérült tápkábel csak a gyártó, annak szervizközpontja, vagy képzett szakember cserélheti ki a további veszélyek elkerülése érdekében.
- A beépítés során a tápkábel ne hajlítsa és ne törje meg.
- Ne módosítsa a vezérlőket.
- A készüléket új tömlő készlettel csatlakoztassa a vízhálózatához, régi tömlő készletet ne használjon.
- 15 perc tétlenség után a mosogatógép automatikusan kikapcsol és energiatakarékos üzemmódra vált.
- A mosható teríték maximális száma 9.
- A megengedett legnagyobb víznyomás 1MPa.
- A megengedett minimális víznyomás 0.04MPa.

## Hulladékkezelés



- A csomagolást és a terméket mindig szelektív hulladékgyűjtőben adja le. Vágja le a tápkábel,

mielőtt leadná a készüléket.

- A karton csomagolás papírhulladékként újrahasznosítható.
- A helyes hulladékgazdálkodással hozzájárul a környezetünk fenntartásáért, valamint egészségünkért is. További információhoz,

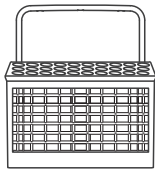
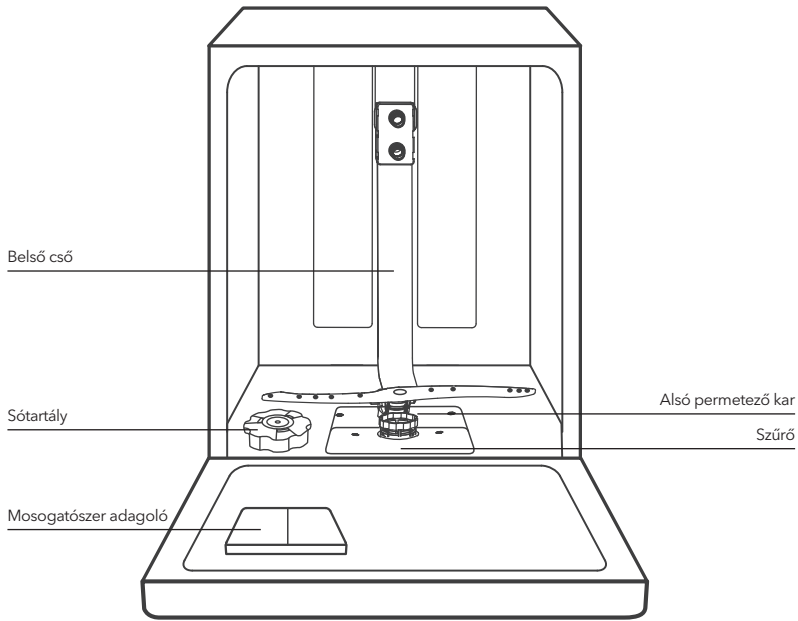
forduljon a helyi Önkormányzatokhoz, vagy a helyi hulladékgazdálkodó szervezetekhez.

- **Soha ne dobja ki a készüléket háztartási hulladékokkal együtt. Kizárólag arra alkalmas helyen szabad leadni.**

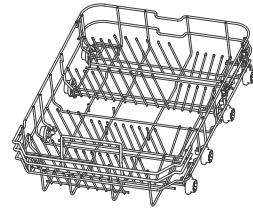
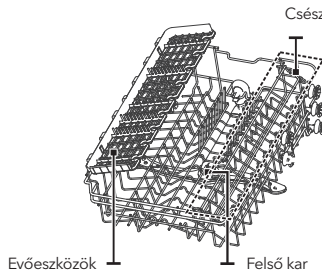
## TERMÉKLEÍRÁS

### ! FONTOS

A mosogatógép legjobb teljesítményének elérése érdekében olvassa el az összes használati utasítást az első használat előtt.



Evőeszköztartó kosár



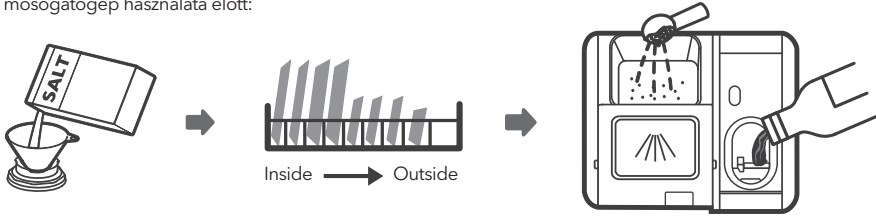
Alsó kosár

### MEGJEGYZÉS

Kérjük vegye figyelembe, hogy a képek csak tájékoztató jellegűek, a különböző modellek eltérőek lehetnek.

# A MOSOGATÓGÉP HASZNÁLATA

A mosogatógép használata előtt:



1. Állítsa be a vízkeménységet.
2. Töltsön vízlágyító sót a sótartályba
3. Helyezze be az edényeket.
4. Tölts fel a mosogatószer adagolót.

## MEGJEGYZÉS

Szükség esetén, kérjük olvassa el a "Második rész: Speciális útmutató - 1 Vízkeménység beállítása" fejezetben foglaltakat.

## A vízlágyító só betöltése

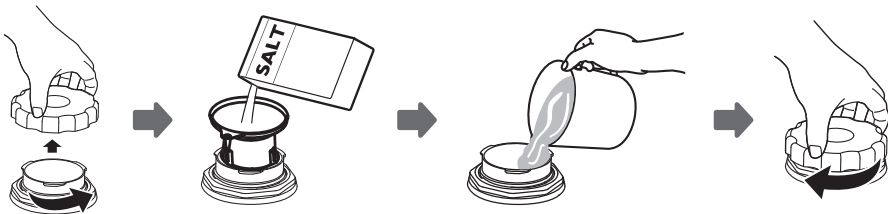
### MEGJEGYZÉS

Amennyiben a készülékben nincsen sótartály, kihagyhatja ezt a részt. Használjon mosogatógépben használható vízlágyító sót. A sótartályt az alsó edénytartó kosár alatt találja. A só betöltését az alábbiak szerint végezze el:

### FIGYELMEZTETÉS!

- **Kizárólag mosogatógépben használható vízlágyító sót használjon!**  
Minden más fajta só használata, különösen az asztali só, károsítja a sótartályt. A nem megfelelő só használatából eredő károkért a gyártó nem vállal garanciát, és az okozott károkért nem vállal semmilyen felelősséget.
- **Közvetlenül a mosogatógép elindítása előtt töltsön be só.**  
Ezzel megvédi a készüléket a kiömlő só által okozott korróziótól.

A vízlágyító só betöltésének lépései:



1. Távolítsa el az alsó edénytartó kosarat és csavarja le a sótartály fedelét.
2. Helyezze a tölcserít (tartozék) a lyukba, és öntsön a sótartályba kb. 1,5 kg vízlágyító sót.
3. Tölts fel a sótartályt vízzel a maximum jelzésig. Kis mennyiség víz kifolyhat.
4. Szorosan csavarja vissza a sótartály fedelét.
5. A sótartály feltöltését követően a figyelmeztető lámpa fénye kialszik.
6. Közvetlenül a só betöltését követően indítsa el a mosogatógépet (rövid program elindítását javasoljuk) A só feltöltése után azonnal el kell indítani a mosási programot (javasoljuk egy rövid program használatát). Ellenkező esetben a szűrőrendszert, a szivattyút vagy a készülék egyéb részeit károsíthatja a sós víz, amivel a garancia érvényét veszti.

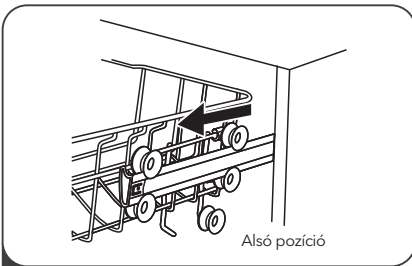
## MEGJEGYZÉS

- A sótartályt csak akkor szabad feltölteni, ha a kezelőpanelen kigyullad a söt jelző lámpa (☹). A söt jelző lámpa a sótartály feltöltését követően tovább világíthat a só oldódásának függvényében
- Amennyiben a készülék kezelőpanelén nincsen söt jelző lámpa (néhány típus esetében), akkor a mosogatási ciklusokat figyelve töltsse fel a sótartályt.
- Ha a só kiömlött, futtasson áztató vagy gyors programot annak eltávolítására.

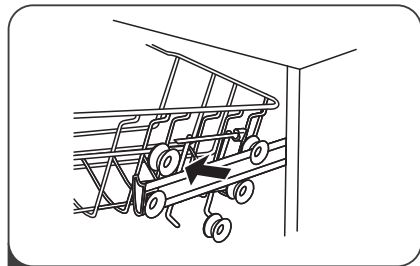
## Edénytartó kosarak - hasznos tanácsok

### A felső edénytartó kosár beállítása Típus 1:

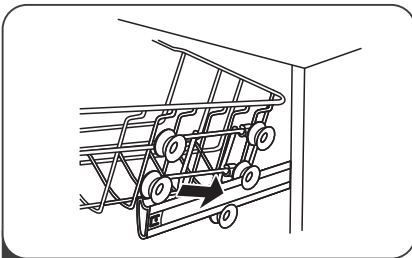
A felső edénytartó kosár magasságát könnyedén beállíthatja a nagyobb edények elhelyezése érdekében. A felső edénytartó kosár beállításának lépései:



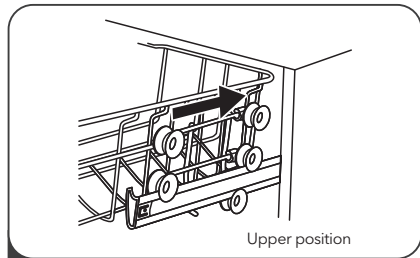
1 Húzza ki a felső edénytartó kosarat.



2 Vegye ki a felső edénytartó kosarat.

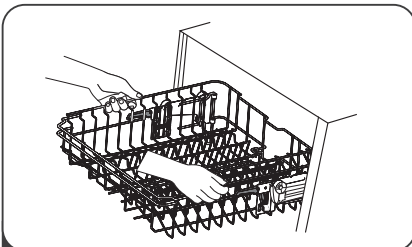


3 Helyezze vissza a felső edénytartó kosarat a felső vagy az alsó hengerre.

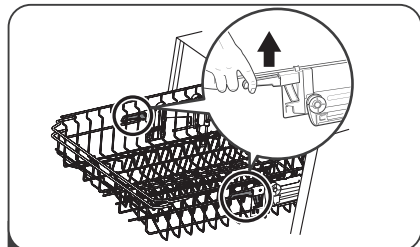


4 Tolja be a felső edénytartó kosarat.

### Type 2:



1 A kosár felső helyzetbe emeléséhez emelje meg, amíg mindkét oldala azonos magasságban van. A kosár rögzül a helyén.



2 A kosár behelyezéséhez nyomja le a fogantyút és engedje el.

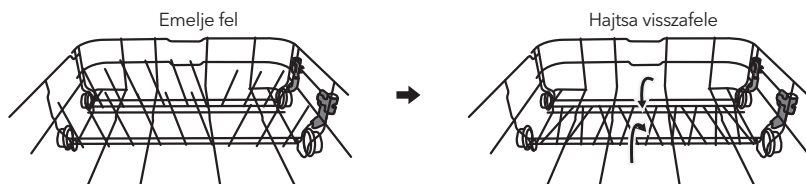
### A csészetartó állványok állítása

Annak érdekében, hogy a magasabb edények, poharak is elférjenek a felső edénytartó kosárban, emelje felfelé a csészetartó állványokat az összecukáshoz. Szükség esetén hajtsa ki.



### Kosarak tartóelemeinek visszahajtása

A tüskés tartóelemek a tálak, tányérok elhelyezésére szolgál. Hajtsa le a tüskés tartóelemeket a nagyobb edények elhelyezéséhez.



## KARBANTARTÁS ÉS TISZTÍTÁS

### Külső részek ápolása

#### Az ajtó és az ajtó tömítés

Az ételmaradékok eltávolítása érdekében rendszeresen tisztítsa az ajtó tömítéseket puha, nedves ruhával. A mosogatógép betöltésekor étel- és italmaradványok csöpöghetnek a készülék ajtajának oldalára. Ezekre a felületekre a permetező kar nem juttat vizet, így az esetleges ételmaradványokat használat előtt törölje le.

#### A vezérlőpanel

A vezérlőpanelt kizárólag puha nedves ruhával törölje át.

#### FIGYELMEZTETÉS!

- A beázás és a meghibásodás elkerülése érdekében, ne használjon semmilyen tisztító sprayt az ajtózár és az elektromos alkatrészek tisztításához.
- Soha ne használjon súrolószert vagy súroló keféket a mosogatógép külső felületeinek tisztításához, mert megkarcolhatják a felületet. Bizonyos papírtörölő típusok is karcolás okozhatnak vagy nyomokat hagyhatnak a felületen.

### Belső részek ápolása

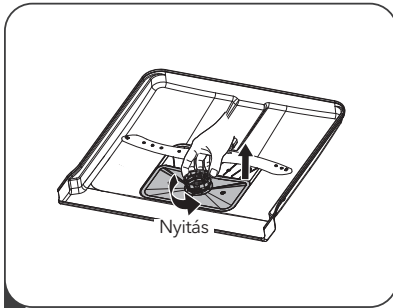
#### Szűrőrendszer

A mosogatógép belsejében található szűrőrendszer összegyűjti a mosási folyamat során lemosott ételmaradványokat, ami eltávolítható a szűrőket. Rendszeresen ellenőrizze a szűrők állapotát, és szükség esetén folyó víz alatt tisztítsa meg a szűrőket. A szűrők tisztításának lépései:

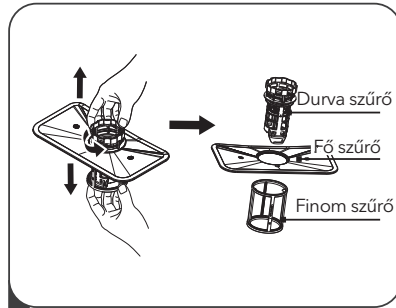
#### MEGJEGYZÉS

Kérjük vegye figyelembe, hogy a képek csak tájékoztató jellegűek, a különböző modellek eltérőek lehetnek.

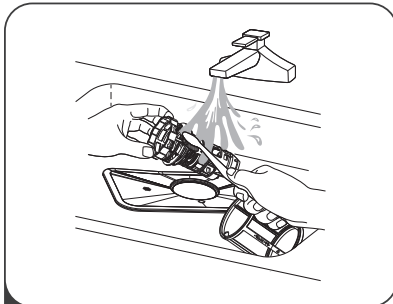




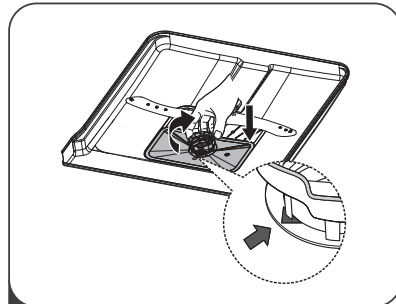
- 1** Fogja meg a durva szűrőt, forgassa az óramutató járásával ellentétes irányba, majd emelje ki a mosogatógépből.



- 2** A finomszűrő a szűrőegység aljából kihúzható. A durva szűrő a főszűrőről a tetején lévő fülek összenyomásával és kiemelésével választható le.



- 3** A nagyobb ételmaradékokat folyó víz alatt távolítsa el a szűrőből. Alaposabb tisztításhoz használjon puha tisztítófejt.



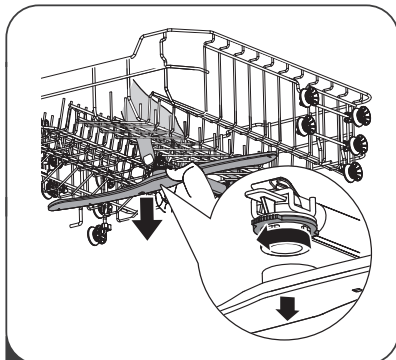
- 4** A szűrőket a szétszedés lépéseinek fordított sorrendű elvégzésével szerelje össze, majd helyezze vissza a szűrőbetétet és forgassa el az óramutató járásával megegyező irányban a zárást jelző nyílrig.

### **!** FIGYELMEZTETÉS

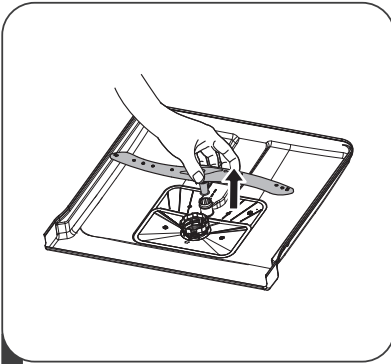
- Ne húzza túl a szűrőket. A szűrőket a megfelelő sorrendben helyezze vissza, különben az ételmaradványok a rendszerbe kerülve dugulást okozhatnak.
- SOHA ne használja a mosogatógépet szűrők nélkül. A szűrő nem megfelelő cseréje csökkentheti a készülék teljesítményét és kárt tehet az edényekben.

### **Permetező karok**

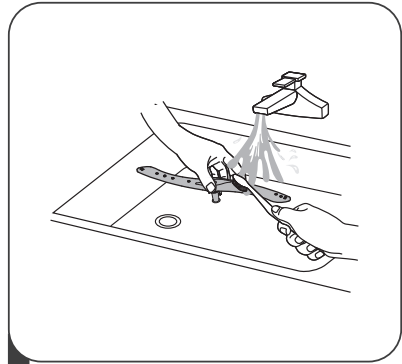
A permetező karokat rendszeresen tisztítani kell. A permetező karok tisztítását az alábbiak szerint végezze el:



- 1** A felső permetező kar eltávolításához fogja meg a közepén lévő szorítóanyát, majd forgassa a permetező kart az óramutató járásával ellentétes irányban az eltávolításához.



**2** Az alsó permetezőkar kiszedéséhez húzza azt felfelé.



**3** zappanos langyos víz és egy fogkefe segítségével óvatosan tisztítsa meg a fúvókákat. Alapos öblítést követően szerelje vissza a karokat.

## A mosogatógép megóvása

### Fagyvédelem

Télen tegyen megfelelő intézkedéseket a mosogatógép fagytól való megóvása érdekében. A mosási ciklusokat követően minden alkalommal tegye meg a következő lépéseket:

1. Áramtalanítsa a készüléket.
2. Zárja el a vízellátást és váltsza le a vízcsapról a vízbefolyó vezetékét.
3. Eressze le a vizet a vezetékből és a vízcsapból. (A vizet egy edényben gyűjtse össze).
4. Csatlakoztassa ismét a vízcsapra a vízbefolyó vezetékét.
5. Távolítsa el az alsó szűrőt és szivaccsal itassa fel a vizet.

### Minden mosást követően

Minden mosás után zárja el a készülék vízellátását, és hagyja az ajtót kissé nyitva, hogy a nedvesség és a szagok távozhassanak.

### Áramtalanítás

Tisztítás vagy karbantartás előtt mindig áramtalanítsa a készüléket.

### Oldószeres és súrolószeres tisztítás

A mosogatógép külsejének és gumiból készült alkatrészeinek tisztításához ne használjon oldószereket vagy súrolószereket. Csak meleg, szappanos vizet és törlőruhát használjon.

A gép belsejében lévő foltok és szennyeződések eltávolításához vízzel és egy kis ecettel megnedvesített törlőruhát vagy kifejezetten mosogatógépekhez készült tisztítószert használjon.

### Ha hosszú ideig nem használja

Futtasson le az üres mosogatógéppel egy mosási ciklust, majd áramtalanítsa a készüléket, zárja el a vízellátást, és hagyja a készülék ajtaját kissé nyitott állapotban. Ez segít meghosszabbítani az ajtó-tömítések élettartamát és megelőzi a rossz szagok kialakulását.

### A készülék mozgatása

A készüléket függőleges állapotban mozgassa. Ha feltétlenül szükséges akkor fektesse a hátoldalára.

### Tömítés

A mosogatógépben a szagok képződését általában a tömítésekben rekedt ételek okozzák. Ennek megakadályozása érdekében nedves szivaccsal rendszeresen tisztítsa a tömítéseket.

# BEÜZEMELÉSI ÚTMUTATÓ

## FIGYELMEZTETÉS!



### Áramütés veszélye

A mosogatógép beüzemelése előtt áramtalanítsa a készüléket. Ennek elmulasztása balesethez vagy halálos áramütéshez vezethet.

## FIGYELEM!

A csővezetékek és elektromos berendezések telepítését csak szakemberek végezhetik.

## Áramellátás

### FIGYELMEZTETÉS!

A személyes biztonság érdekében:

- Ne használjon hosszabbítót a készülékhez.
- Semmilyen körülmények között ne vágja vagy távolítsa el a tápkábelből a földcsatlakozást.

### Elektromos hálózati követelmények

Kérjük ellenőrizze a technikai adatlapon a követelményeket és csak annak megfelelő hálózatra kösse rá a készüléket. Használjon megfelelő biztosítékot 10A/13A/16A, késleltetett biztosítékot, vagy megfelelő kismegszakítót a készülék bekötésekor.

### Elektromos hálózati csatlakozás

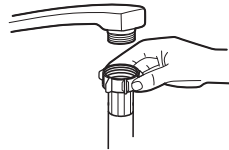
Bizonyosodjon meg arról, hogy a technikai adatlapnak megfelelő hálózatra csatlakoztatja a készüléket. Kizárólag földelt fali dugaljba csatlakoztatható. Ha a használni kívánt csatlakozóba nem illeszkedik a villásdugó, akkor cserélje le a fali dugalj és ne használjon különféle átalakítókat.

** Használat előtt győződjön meg a megfelelő földelésről.**

## Vízellátás és vízvezetés

### Hideg vizes csatlakozás

A mosogatógépet 3/4(inch)-es, menetes csőre csatlakoztassa és rögzítse megfelelően a kötésekkel. Új vagy hosszú ideig nem használt vízvezeték esetén, először engedje folyni a vizet, hogy meggyőződhessen a tisztaságáról. Ez az óvintézkedés segít megelőzni a vízbemenet eltömődését és a készülék károsodását.



Hagyományos tömlő



Biztonsági tömlő

### Biztonsági tömlő

A biztonsági tömlők dupla falúak. A tömlő szerkezete garantálja a vízáram megszakítását a bevezető tömlő szakadása esetén, valamint akkor, ha a bevezető tömlő és az azt körülvevő külső gégecső közötti tér megtelik vízzel.

## FIGYELMEZTETÉS!

Zuhanyfejes mosogató csaptelep esetén ne csatlakoztassa közvetlenül arra az ágra a mosogatógépet.

### A biztonsági tömlő csatlakoztatása

1. Teljesen húzza ki a tömlőket a mosogatógép hátulján található tárolórekeszből.
2. Csatlakoztassa a tömlőt 1,9 cm (3/4 inch) menettel rendelkező vízcsaphoz.
3. Nyissa meg a vízcsapot a mosogatógép elindítása előtt.

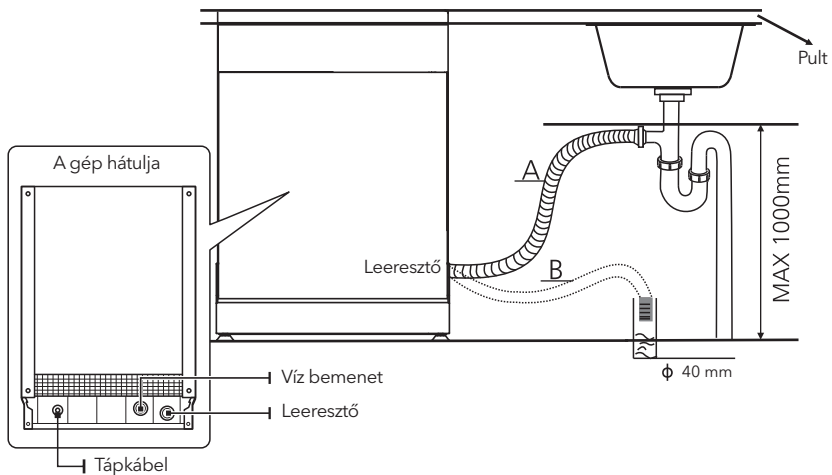
### A biztonsági tömlő leválasztása

1. Zárja el a vízellátást.
2. Csavarja le a biztonsági tömlőt a vízcsapról.

## Elvezető tömlők csatlakoztatása

Helyezze az elvezető tömlőt egy legalább 4 cm átmérőjű lefolyócsőbe, vagy vezesse azt a mosogatóba, biztosítva, hogy ne csavarodjon vagy nyomódhasson meg. A lefolyóvezetékeknek 1000 mm-nél alacsonyabban kell lennie. A tömlő szabad végét nem szabad vízbe meríteni a visszafolyás megelőzése érdekében.

**⚠ Kérjük, rögzítse biztonságosan az elvezető tömlőt vagy A, vagy B pozícióba**



### A felesleges víz leengedése

Ha a mosogató 1000 mm-nél magasabban van, a tömlőkben lévő vízfelesleg nem ereszhető le közvetlenül a mosogatóba. Ilyen esetben a felesleges vizet a tömlőkből egy edénybe eressze le.

### Vízkiemenet

Csatlakoztassa az elvezető tömlőt. Az elvezető tömlőt szorosan kell rögzíteni a vízszivárgás megelőzése érdekében. Ügyeljen rá, hogy a vízelvezető tömlő ne legyen megcsavarodva vagy összenyomódva.

### Tömlőhosszabbító

Ha tömlőhosszabbítóra van szüksége, használjon hasonló elvezető tömlőt. Nem lehet hosszabb 4 méternél, különben a mosogatógép tisztítási hatásfoka csökkenhet.

### Szifonos csatlakozás

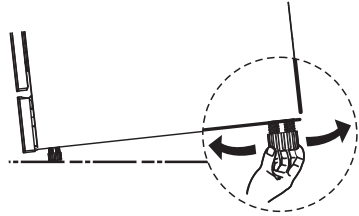
A lefolyó maximum 100 cm-re lehet a mosogatógép aljától. Az elvezető tömlőt rögzíteni kell.

## A készülék elhelyezése

Helyezze a készüléket a kívánt helyre. A készülék hátoldalának a mögötte lévő falnak, oldalainak pedig a mellette lévő szekrényeknek vagy falnak kell támaszkodnia. A mosogatógépet olyan vízbevezető és vízvezető tömlőkkel van felszerelve, amelyek a bal és a jobb oldalon egyaránt elhelyezhetők a megfelelő elhelyezés érdekében.

### A készülék vízszintbe helyezése

mint a készüléket a vízszintezéshez elhelyezték, a mosogatógép magassága a lábak ki- és becsavarásával állítható be. Ügyeljen rá, hogy a készüléket ne döntse meg 2°-nál nagyobb mértékben.



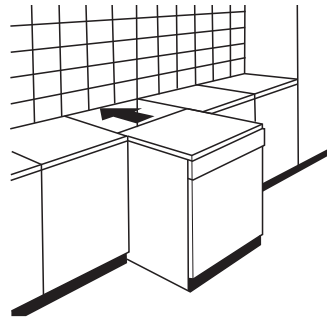
### MEGJEGYZÉS

Csak a szabadon álló mosogatógépre vonatkozik.

## Szabadon álló mosogatógép elhelyezése

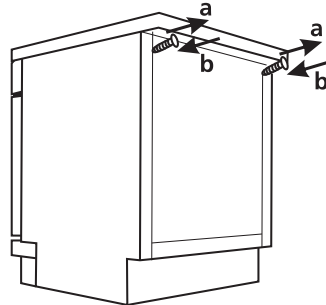
### A készülék meglévő szekrények közé helyezése

A mosogatógép 845 mm-es magasságát úgy tervezték, hogy az lehetővé tegye a gép meglévő, a modern, elemes konyhabútorok azonos magasságú szekrényei közé történő illesztését. A megfelelő magasság a lábak segítségével állítható be. A gép rétegelt teteje semmilyen ápolást nem igényel, mivel az hő-, karcolás- és szennyeződésálló anyagból készült.



### Meglévő munkalap alá történő beépítés

(A mosogatógép munkalap alá kerül beillesztésre)  
A legtöbb modern, elemes konyhabútorral felszerelt konyhában a szekrények és elektromos berendezések egyetlen munkalap alatt helyezkednek el. Ebben az esetben távolítsa el a mosogatógép munkalapját a tető hátsó pereme alatt lévő csavarok kicsavarásával (a).



### FIGYELEM!

A munkalap eltávolítását követően a csavarokat vissza kell csavarni a tető hátsó pereme alá (b).

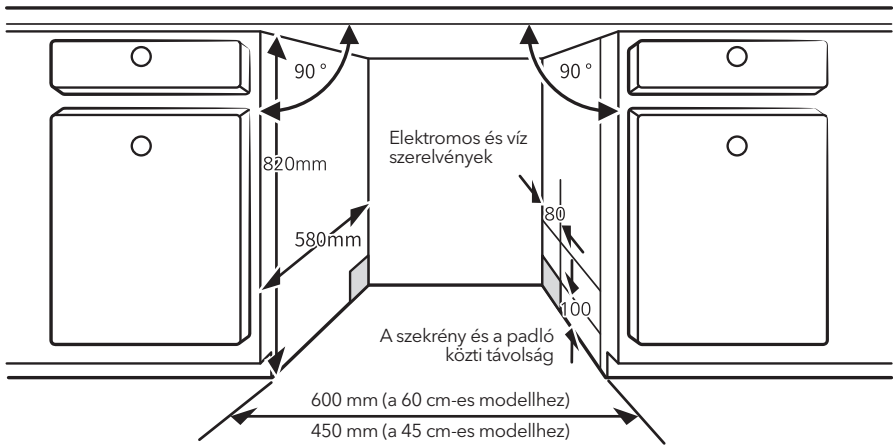
A készülék magassága így 815 mm-re csökken a nemzetközi ISO szabványoknak megfelelően, és így a gép tökéletesen illeszkedik a konyhai munkalap alá.

## Beépítés (integrált modell esetén)

### 1. lépés A mosogatógép ideális helyének kiválasztása

A mosogatógép helyének közel kell lennie a meglévő befolyó- és elvezető tömlőkhöz, valamint az áramellátáshoz. Szekrényméretek és a mosogatógép beépítése:

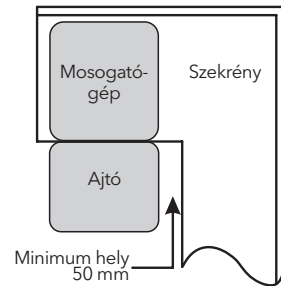
1. A mosogatógép és a szekrény teteje között 5 mm-nél kisebb legyen a távolság, és a külső ajtót a szekrényhez kell igazítani.



2. Ha a mosogatógépet a szekrény sarkához helyezik, az ajtó kinyitásakor maradnia kell némi helynek.

### MEGJEGYZÉS

A csatlakozóaljzat elhelyekedésétől függően szükség lehet egy nyílás fúrására a szomszédos szekrény oldalán.



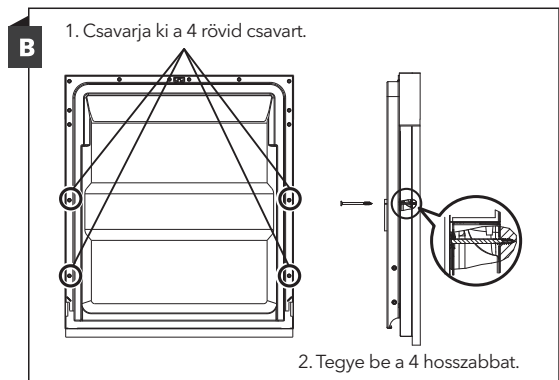
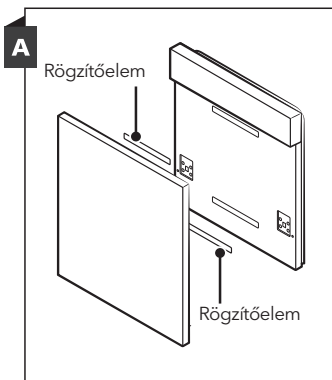
## 2. lépés A bútortalap méretei és felszerelése

### MEGJEGYZÉS

A fa bútortalap a telepítési rajzoknak megfelelően szerelhető fel.

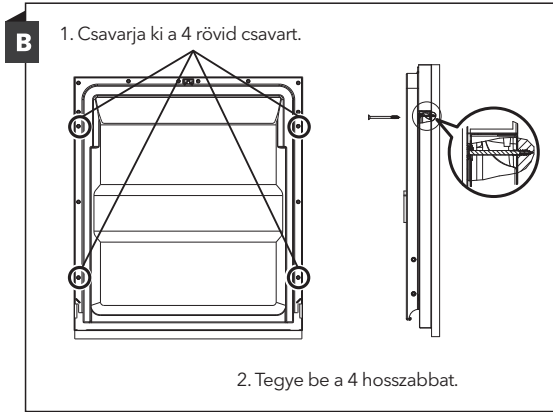
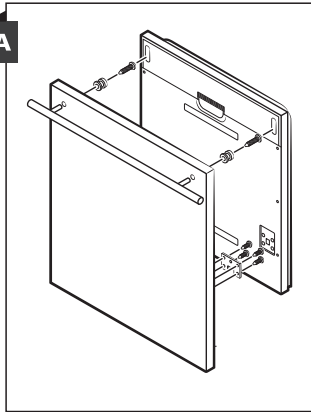
### Félig integrált modell

Az A és a B jelű címkét szét kell választani, majd az A címkét a bútortalpra, a B jelű, filces címkét pedig a mosogatógép külső ajtajára kell helyezni (az A ábra szerint). Ezután csavarokkal rögzítse a panelt a külső ajtóra (a B ábra szerint).



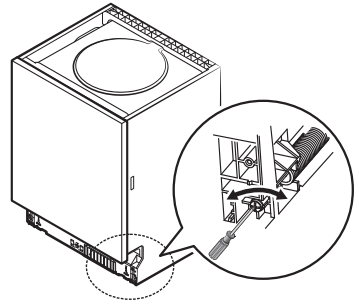
### Teljesen integrált modell

Helyezze fel a kampót a fa dekorpanelre, majd akassza be azt a mosogatógép külső ajtajának megfelelő nyílásába (lásd: A ábra). Ezután csavarokkal rögzítse a panelt a külső ajtóra (a B ábra szerint).



### 3. lépés Az ajtórugó feszességének beállítása

1. Az ajtórugók a gyártás közben egy előre beállított értéken vannak. Ha bútorlapot szerel az ajtóra, akkor ezeket a rugókat utólag állítani kell. Az állítócsavar segítségével feszítheti, vagy lazíthatja a rugót.
2. A beállítás akkor tökéletes, ha teljesen kinyitva az ajtót vízszintesen marad, ám egy könnyed mozdulatra visszaugrik közel függőleges állapotba.

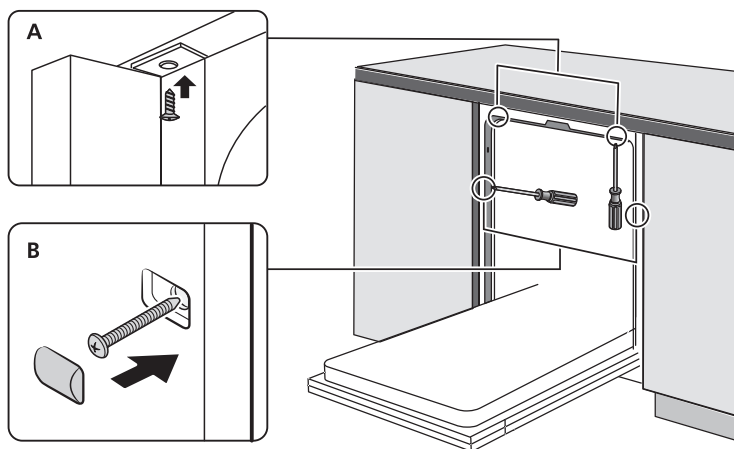


### 4. lépés A mosogatógép beüzemelésének lépései

#### MEGJEGYZÉS

A mosogatógép beüzemelésének lépései:

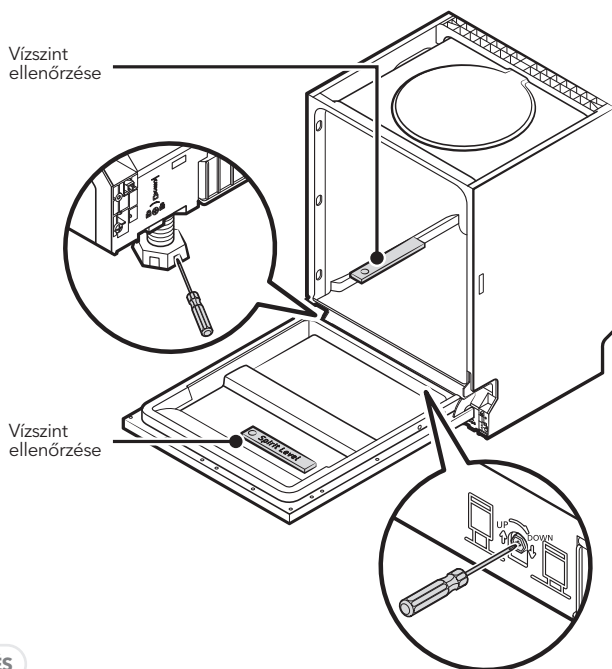
1. Rögzítsen egy vízálló réteget a munkalap aljára és igazítsa úgy, hogy egy síkban legyen a pult szélével. (2 lépés)
2. Csatlakoztassa a befolyó tömlőt a hidegvíz-hálózatra.
3. Csatlakoztassa az elvezető tömlőt.
4. Csatlakoztassa a tápkábelt.
5. Helyezze a mosogatógépet a helyére. (4. lépés)
6. Állítsa vízszintbe a mosogatógépet. A hátsó láb a mosogatógép eleje felől állítható be a mosogatógép alsó középső részében lévő csavar és csavarhúzóval történő elfordításával. Az elülső lábak beállításához használjon lapos csavarhúzót, és fordítsa el az elülső lábakat, amíg a mosogatógép vízszintes helyzetbe nem kerül. (5-6. lépés)
7. Szerelje fel a bútorajtót a mosogatógép külső ajtajára. (7-10. lépés)
8. Imbuszkulcs segítségével állítsa be az ajtórugók feszességét az óramutató járásával megegyező irányba történő forgatásával. Ennek a műveletnek a figyelmen kívül hagyása a mosogatógép károsodását okozhatja. (11. lépés)
9. Rögzítse a mosogatógépet a helyére. Ennek két módja van:
  - A: Normál munkalap: Helyezze a szerelőkampót az oldallap nyílásába, majd rögzítse facsavarokkal a munkalaphoz.
  - B: Márvány vagy gránit munkalap: Rögzítse csavarral az oldallapot.



### 5. lépés A mosogatógép vízszintbe állítása

A mosogatógépet vízszintbe kell állítani a megfelelő működés érdekében.

1. A mosogatógép vízszintes helyzetének ellenőrzéséhez tegyen egy szintezőzt az ajtóra és a készülék belsejében található rácsstartóra.
2. Állítsa vízszintbe a gépet a három szintbeállító láb külön-külön történő beszabályozásával.
3. A szintbeállításkor ügyeljen rá, hogy ne billenjen fel a mosogatógép.



### MEGJEGYZÉS

A lábak maximális beállítási magassága 50 mm.



# HIBAELHÁRÍTÁS

## Mielőtt a szervizhez fordulna

Kérjük tekintse át az alábbi táblázatot, mielőtt a szervizhez fordulna segítségért.

Probléma	Lehetséges okok	Megoldás
A mosogatógép nem indul be	Kiégett a biztosíték, vagy leoldott a kismegszakító.	Cserélje ki a biztosítékot, vagy kapcsolja fel a kismegszakítót. Válassza le a mosogatógéppel azonos áramkörre kapcsolt egyéb készülékeket..
	Nincs áramellátás.	Ellenőrizze, hogy a mosogatógép be van-e kapcsolva, az ajtó teljesen be van-e csukva, és a tápkábel megfelelően csatlakozik-e a fali aljzathoz.
	Alacsony víznyomás.	Ellenőrizze, hogy a víz megfelelően be van-e kötve, és a vízcsap ki van-e nyitva.
	A mosogatógép ajtaja nincs megfelelően becsukva.	Ügyeljen rá, hogy az ajtó mindig megfelelően legyen becsukva.
A vízszivattyú nem működik	Megcsavarodott vagy összenyomódott az elvezető tömlő.	Ellenőrizze az elvezető tömlőt.
	Eltömődött a szűrő.	Ellenőrizze a durva szűrőt.
	Eltömődött a mosogató.	Ellenőrizze a mosogató lefolyóját. Amennyiben ez tömődött el, hívjon vízvezeték szerelőt.
Hab van a mosogatógép aljában	Nem megfelelő mosószer használata.	Csak megfelelő mosószert használjon. Habképződés esetén hagyja nyitva a készülék ajtaját és hagyja a habot elpárologni. Tegyen 1 liter vizet a mosogatógép aljába, majd indítson el üresen egy mosási ciklust. Amennyiben nem tűnt el a hab, ismételje meg a folyamatot.
	Kifolyt víz.	Mindig törölje fel a kifolyt vizet.
Foltos a mosogatógép belseje	Lehetséges, hogy színezéket tartalmazó mosószert használtak.	Ne használjon színezéket tartalmazó mosószert.
Fehér réteg a belső felületeken	A kemény vízben lévő ásványi anyagok kicsapódtak.	A belső felületek tisztításához használjon nedves szivacsot, mosogatószert és gumikesztyűt. A habképződés elkerülése érdekében csak megfelelő mosószert használjon.
Az evőeszközökön rozsdafoltok vannak	Az adott evőeszközök nem korrózióállóak.	Csak korrózióálló tárgyakat tegyen a mosogatógépbe.
	A vízlágyító só maradványai nem távoztak megfelelően a mosogatógépből.	Indítson el egy üres mosási ciklust. Ne használjon Turbo funkciót vízlágyító só betöltésekor (Turbo funkció készülék esetén).

Probléma	Lehetséges okok	Megoldás
Az evőeszközökön rozsdafoltok vannak	A vízlágyító só tartály fedele laza.	Ellenőrizze a rögzítéseket.
Kopogó hang a mosogatógépben	A permetező kar nekiütközik a kosárban lévő edénynek.	Szakítsa meg a programot, és rendezze át a permetező kar mozgását akadályozó edényeket.
Zörgő zaj a mosogatógépben	Az edények nem megfelelően vannak elhelyezve.	Szakítsa meg a programot és rendezze át az edényeket.
Kopogó hang a vízvezetékben	Rosszul telepített mosogatógép vagy a csövek keresztmetszete okozhatja a problémát.	Ez a jelenség nem befolyásolja a mosogatógép működését. Forduljon szakemberhez.
Az edények nem tiszták	Az edények nincsenek megfelelő módon betéve.	Olvassa el a II szakasz "Az edények előkészítése és betöltése" részt.
	Nem megfelelő programválasztás.	Válasszon intenzívebb programot.
	Nem volt elegendő mosószer betöltve.	Használjon több mosószert, vagy váltson másik típusra.
	Edények akadályozzák a permetező kar mozgását.	Rendezze át az edényeket.
	A szűrőegység nem tiszta, vagy nincs megfelelően rögzítve, ami a permetező kar fűvókáinak eltömődését okozza.	Tisztítsa meg és helyezze be megfelelően a szűrőt. Tisztítsa meg a permetezőkar fűvókáit.
Fátyolosság az üveg edényeken	A lágy víz és a túl sok mosogatószer kombinációja.	Lágy víz esetén válasszon rövidebb ciklust és használjon kevesebb mosószert az üveg edények mosásához.
Fehér foltok az edényeken és a poharakon	A kemény víz vízkőlerakódásokat idézhet elő az edényeken.	Használjon több mosószert.
Fekete vagy szürke nyomok az edényeken	Alumínium tárgyak dörzsölődtek az edényekhez.	Használjon enyhe, súroló hatású tisztítószert a nyomok eltüntetéséhez.
Mosószer maradt az adagolóban	Edények zárják el a mosogatószer adagolót.	Helyezze be újra az edényeket.
Az edények nem száradnak meg	Nem megfelelő behelyezés.	Az útmutatóban foglaltaknak megfelelően helyezze be az edényeket.
	Túl hamar vette ki az edényeket.	Ne ürítse ki a mosogatógépet közvetlenül a mosogatás után. Nyissa ki kissé az ajtót, hogy a gőz távozhasson. Csak akkor kezdje meg a mosogatógép kiürítését, ha az edények már kihűltek.
Az edények nem száradnak meg	Nem megfelelő programot választott ki.	Válasszon hosszabb idejű mosási programot.
	Gyenge minőségű bevonattal ellátott evőeszköz használata.	A vízvezetés nehezebb ezeknél a tárgyaknál. Az ilyen evőeszközök vagy edények nem alkalmasak gépi mosogatásra.

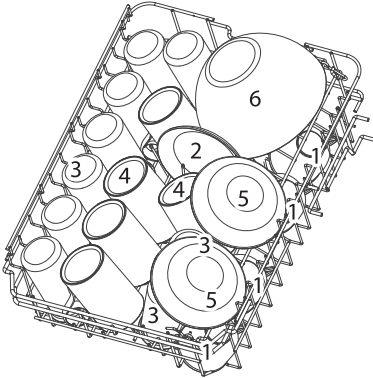

**WARNING!**

Self-repair or non-professional repair may cause serious risks to the safety of the user of the appliance and impact warranty.

# A KOSARAK EN60436 SZABVÁNY SZERINTI FELTÖLTÉSE

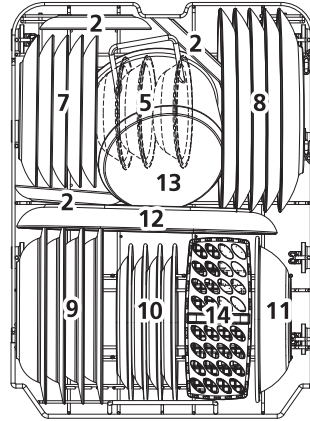
Loading the dishwasher to its full capacity will contribute to energy and water savings.

## 1. Felső edénytartó kosár:

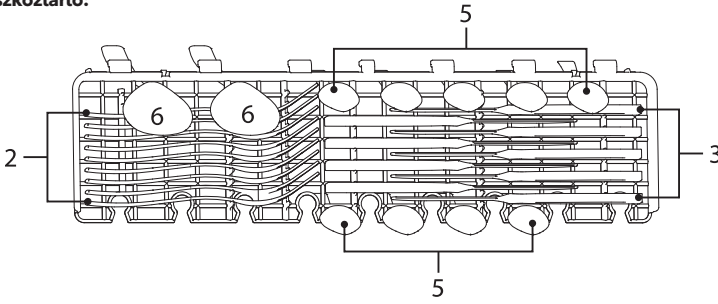


Szám	Edény megnevezése
1	Csészék
2	Csészealjok
3	Poharak
4	Bögrék
5	Desszertes tálok
6	Üveg tálok

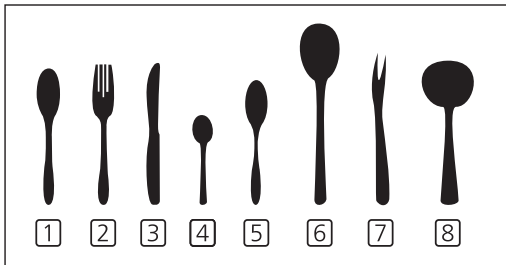
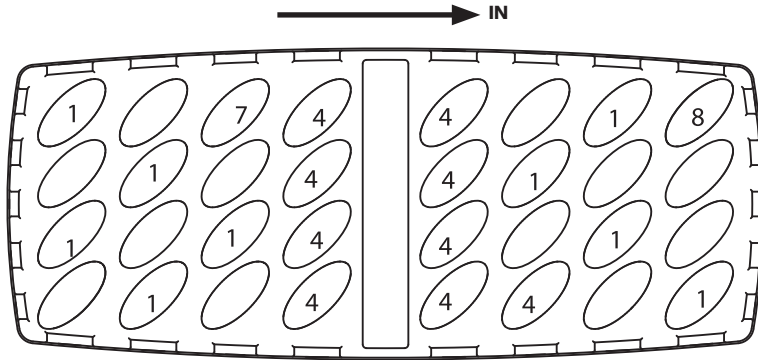
## 2. Alsó edénytartó kosár:



Szám	Edény megnevezése
2	Csészealjok
7	Desszertes tányérok
8	Lapos tányérok
9	Mély tányérok
10	Műanyag desszertes tányérok
11	Műanyag tálok
12	Ovális tálok
13	Kisebb edények
14	Evőeszköztartó kosár

**3. Evőeszköztartó:****MEGJ.**

Kérjük, a laposabb, könnyebb evőeszközöket helyezze a polcra. A maximális terhelhetőség 1.5 kg.

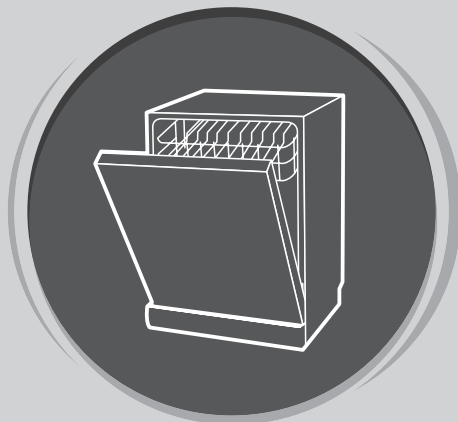
**4. Evőeszköztartó:**

Number	Item
1	Soup spoons
2	Forks
3	Knives
4	Tea spoons
5	Dessert spoons
6	Serving spoons
7	Serving forks
8	Gravy ladles

Az EN 60436 szabvány szerinti információk: 9 teríték

Felső edénytartó kosár helyzete: alsó pozíció

Program: ECO Mosószer beállítás: Max. Vízlágyító só beállítás: H3



# MOSOGATÓGÉP

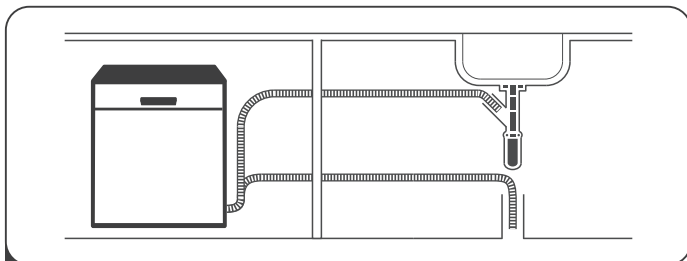
## Kezelési útmutató

**II SZAKASZ: TERMÉKSPECIFIKUS  
TÁJÉKOZTATÓ**  
**WDI461M**

Kérjük alaposan olvassa el ezt a tájékoztatót és őrizze meg a későbbiek során is.

# GYORS KEZELÉSI ÚTMUTATÓ

Olvassa el a vonatkozó részt az általános útmutatóban is.

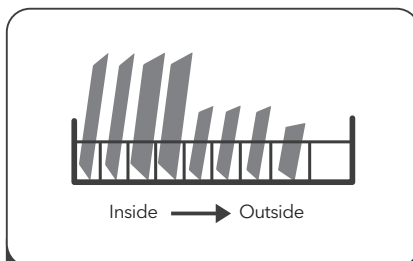


**1** A mosogatógép beszerelése

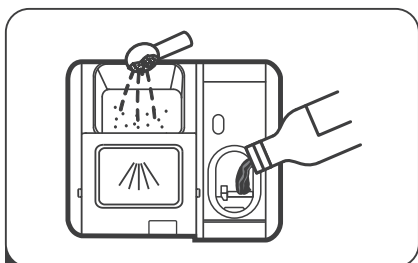
**(Olvassa el az 5. szakaszt az I. részben.)**



**2** Tisztítsa le a nagyobb ételmaradványokat



**3** A kosarak helyes feltöltése



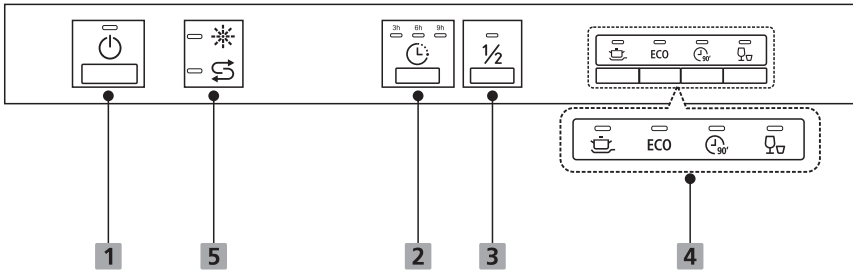
**4** A mosószertartály megfelelő feltöltése.



**5** A megfelelő program kiválasztása.

# A MOSOGATÓGÉP HASZNÁLATA




## Vezérlőpanel



### Művelet (gomb)

- 1 Bekapcsolás Nyomja meg ezt a gombot a mosogatógép bekapcsolásához, a képernyő felvilágul.
- 2 Késleltetés Nyomja meg a gombot a késleltetési idő beállításához.
- 3 Fél adag Ha fél adag, vagy annál kevesebb edényt kell elmosogatnia, akkor ezt a funkciót választhatja, hogy energiát és vizet takarítson meg. (Csak Intenzív, ECO, 90 perc funkcióval használható.)

Válassza ki a megfelelő programot, a kiválasztott programjelző világít.

- 4 Program
  -  **Intenzív**  
Az erősen szennyezett edények és serpenyők, rászáradt ételmaradvánnyal.
  - ECO**  
Ez a standard program az átlagosan szennyezett edényekhez, tányérokhoz, poharakhoz és enyhén szennyezett serpenyőkhöz alkalmas.
  -  **90 perces**  
Átlagosan szennyezett, gyors mosogatást igénylő edényekhez.
  -  **Gyors**  
Rövidebb program az enyhén szennyezett, szárítást nem igénylő edényekhez.

### Kijelző

- 5 Figyelmeztető jelzés
  -  **Öblítő**  
Ha a "❄️" jelzés világít, akkor az öblítőtartályt fel kell töltenie.
  -  **Só**  
Ha a "🌀" jelzés világít, akkor a sótartályt kell feltöltenie.

## Vízlágyító használata

A mennyiséget mindig manuálisan kell megadni az éppen használt víz keménységétől függően. A vízlágyító feloldja azokat a kemény ásványi sókat, amelyek problémát okoznak a használat során. Minél keményebb a víz, annál több ásványi anyagot tartalmaz.

A vízlágyítót ennek ismeretében adagolja a géphe. Forduljon a helyi vízművekhez a kérdés megválaszolásához.

### A sófogasztás beállítása

A mosogatógépet úgy tervezték, hogy betöltött só adagolását állítani lehessen. Ezzel optimalizálni lehet a vízlágyító só fogyasztását.

A megfelelő sófogasztás beállításához kövesse az alábbi lépéseket.

1. Nyissa ki az ajtót és kapcsolja be a készüléket;
2. Nyomja meg a Program gombot több, mint 5 másodpercig a beállításhoz a bekapcsolást követő 60 másodpercen belül;
3. Nyomja meg a Program gombot a helyes érték kiválasztásához: H1->H2->H3->H4->H5->H6;
4. Nyomja meg a POWER gombot a megerősítéshez.

VÍZKEMÉNYSÉG				Vízlágyító szintje	Regeneration occurs every X program sequence <sup>1)</sup>	Sófogasztás (gramm/mosás)
Német dH *	Francia fH **	Angol °Clarke ***	Mmol/l			
0 - 5	0 - 9	0 - 6	0 - 0.94	H1->Rapid világít	No regeneration	0
6 - 11	10 - 20	7 - 14	1.0 - 2.0	H2->90 min világít	10	9
12 - 17	21 - 30	15 - 21	2.1 - 3.0	H3->90 min, Rapid világít	5	12
18 - 22	31 - 40	22 - 28	3.1 - 4.0	H4->ECO világít	3	20
23 - 34	41 - 60	29 - 42	4.1 - 6.0	H5->ECO, Rapid világít	2	30
35 - 55	61 - 98	43 - 69	6.1 - 9.8	H6->ECO, 90 min világít	1	60

1 dH=1.25 Clarke=1.78 fH=0.178mmol/l

A gyári alapbeállítás: H3

Vegye fel a kapcsolatot a helyi vízzolgáltatóval, hogy megtudja a víz keménységi fokát.

<sup>1)</sup> Every cycle with a regeneration operation consumes additional 2.0 litres of water, the energy consumption increases by 0.02 kWh and the program extents by 4 minutes.

### MEGJEGYZÉS

Ellenőrizze a 3 szakaszt az első részben.

### MEGJEGYZÉS

**Ha az Ön készülékébe nem lehet sót tenni, akkor ezt a szakaszt átugorhatja.**

### Vízlágyító

A víz keménysége területtől függően változhat. Ha kemény vízzel mosogat, akkor annak nyoma marad a készülékben és az edényeken is.

A sótartóval felszerelt készülékek kifejezetten arra lettek tervezve, hogy minden vízkeménységgel tudja használni.



## Az edények előkészítése és betöltése

- Mindenképpen mosogatógépnek ellenálló edényeket használjon.
- Bizonyos edényeknél csak a legalacsonyabb hőmérsékletű program használható.
- Az edények sérülése elkerülése érdekében ne vegye ki egyből azokat a mosogatógépből.

### Pár tanács az edényekkel kapcsolatban

#### Amiket nem szabad a mosogatógépbe tenni

- Edények fa-, vagy gyöngyházmarkolattal
- Nem hőálló műanyag edények
- Korábban már ragasztott, vagy nem hőálló öregebb edények
- Ragasztott edények
- Ón-, vagy rézedények
- Kristályüveg
- Nem rozsdamentes anyagok
- Fa vágódeszkák
- Szintetikus szálakból készített edények

#### Az alábbiakat csak megfontolás után tegye mosogatógépbe

- Olyan üvegedények, melyek sok mosogatás után bemattulnak
- Ezüst és alumínium, mivel ezek elszíneződhetnek
- Mázolt edények

#### A mosogatógép feltöltése

Minden ételmaradékot kaparjon le az edényekről. Az odaégett ételmaradványokat áztassa be. A legjobb teljesítmény eléréséhez kövesse az alábbiakat.

**(Az egyes modelleknél eltérőek lehetnek.)**

A következő módon tegye be az edényeket:

- Poharakat, csészéket, lábasokat mindig fejjel lefelé.
- Az ívelt és hajlított edényeket úgy tegye be, hogy a víz könnyen lefolyhasson róluk.
- Minden edényt úgy helyezzen a készülékbe, hogy azok ne tudjanak felborulni.
- Az edények behelyezésekor ügyeljen arra, hogy a mosókarok szabadon mozoghassanak.
- Az olyan edényeket, amelyekben könnyen összegyűlhet a víz mindig fejjel lefelé helyezze a gépbe.
- Az edények és evőeszközök ne legyenek egymásba pakolva. A károk elkerülése érdekében a üveg poharakat és edényeket is úgy helyezze el, hogy azok ne érnének egymáshoz.
- A felső kosár a könnyebb edényekre lett tervezve.
- A hosszú pengéjű kések nem megfelelő elhelyezése rendkívül balesetveszélyes!
- Az ilyen késeket mindig vízszintesen helyezze a felső kosárba.
- Kérjük, hogy ne terhelje túl a mosogatógépet. Ez elengedhetetlen a megfelelő eredmény eléréséhez, valamint a készüléket is tönkretelheti.



#### MEGJEGYZÉS

Nagyon apró tárgyakat nem javasolt a mosogatógépben mosni, mivel azok kieshetnek a kosarokból.

#### Az edények kipakolása

Először az alsó tálcából vegye ki az edényeket, ezzel megakadályozva azt, hogy az esetlegesen kicsöpögő víz a többi tiszta és száraz edényre csöpöngjen.



#### FIGYELEM!



**Az edények forróak lehetnek!** A edények sérülését elkerülendő a program lejárataát követő 15 percen belül ne vegye ki az edényeket.

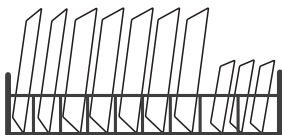
### A felső kosár bepakolása

A felső kosár a könnyebb és sérülékenyebb edényekre lett tervezve, mint pl. üvegpoharak és üvegedények, kávé- és teáscsészék, tányérok, kisebb edények és könnyű serpenyők (amennyiben azok nem túl koszosak). Stabilan helyezze el az edényeket, hogy a vízszögár ne tudja megmozdítani azokat.



### Az alsó kosár bepakolása

Helyezze a nehéz és nehezen tisztítható edényeket az alsó kosárba, mint pl.: lábasok, serpenyők, tálaló edények, fedelek a mellékelt ábra szerint. A tálalóedényeket és fedeleket érdemes a kosár szélére pakolni, hogy ne akadályozzák a vízszögárat. A legnagyobb átmérő 19 cm, amit el lehet mosogatni.



### Evőeszközkosár

Az evőeszközt szétválogatva, a megfelelő pozícióba pakolja az evőeszköztartóba.

#### FIGYELEM!



Egyik edény se érjen a készülék aljára.

Az éles és hegyes eszközöket mindig fejjel lefele pakolja a gépbe!

#### MEGJEGYZÉS

A legjobb eredmény eléréséhez olvassa el az első fejezet erre vonatkozó részét is.

## A mosogatószer és az öblítő használata

Az öblítőt csak a legutolsó szakaszban használja fel a mosogatógép, hogy megelőzze a vízcsapok kialakulását az edényeken, amelyek foltot hagynának. Hozzájárul az edények gyorsabb száradásához is. Ez a készülék a folyékony öblítőszerre lett tervezve.

#### FIGYELEM!

Csak megbízható forrásból származó öblítőt használjon. Ne keverje össze más anyagokkal, mivel az a mosogatógép károsodását okozhatják.

### Mikor kell újratölteni az öblítőtartály adagolóját?

Az adagoló újratöltésének gyakorisága az edények mosási gyakoriságától és az öblítőszer beállításától függ. Az öblítőszer alacsony szintjének ( ) jelzőfénye akkor világít, ha több fel kell töltenie a tartályt van szükség. Ügyeljen rá, hogy ne töltse túl az adalékokat.

### A mosószer funkciója

A mosószerben található kémiai vegyületeknek köszönhetően minden zsír és ételmaradvány feloldódik. A legtöbb kereskedelmi forgalomban kapható mosószer megfelel a használatra.

#### FIGYELEM!

### A mosószer helyes használata

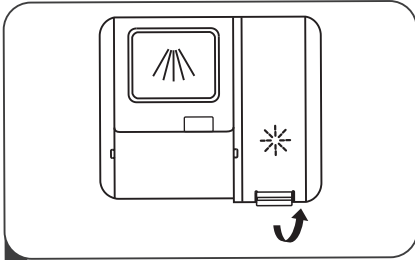
Kizárólag mosogatógépekhez való mosószert használjon, melyet tároljon száraz, hűvös helyen. Mindaddig ne tegye bele a por alapú tisztítószert, amíg be nem pakolt a gépbe.



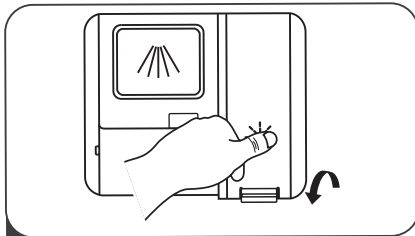
### A mosószer mérgező!

Tartsa távol gyermekektől.

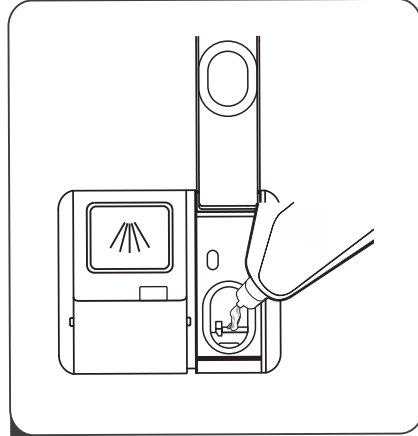
## Öblítőszer betöltése



- 1 Nyissa ki az öblítőtartály fedelét a fogantyú felemelésével.



- 3 Zárja vissza a fedelet.



- 2 Öntse az öblítőszeret az adagolóba, ügyelve arra, hogy ne töltse túl.

### Az öblítőszer mennyiségének beállítása

A jobb szárítási teljesítmény elérése érdekében a mosogatógép úgy van kialakítva, hogy a fogyasztást a felhasználó szabadon állíthassa. Kövesse az alábbi lépéseket.

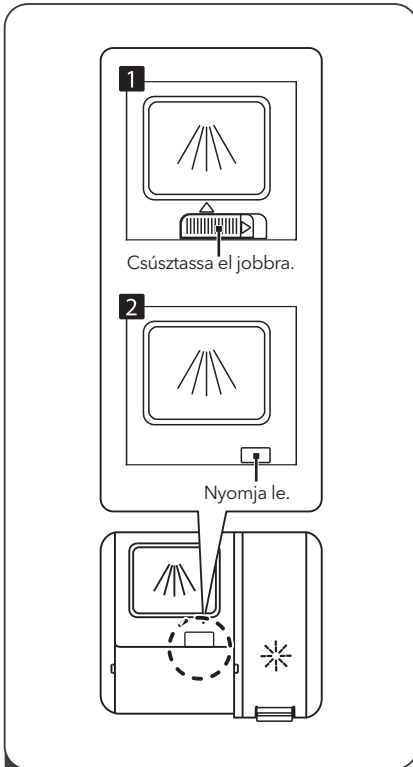
1. Nyissa ki az ajtót, Kapcsolja be a készüléket.
2. Az 1. lépést követő 60 másodpercen belül tartsa nyomva a Rapid gombot 5 másodpercig, majd nyomja meg a Delay gombot a beállításhoz.
3. Nyomja meg a Rapid gombot a megfelelő mennyiség kiválasztásához, amelyek a következő sorrendben változnak: D1->D2->D3->D4->D5->D1.
4. Minél magasabb a szám, annál több öblítőszeret használ a mosogatógép.
5. Nyomja meg a bekapcsológombot a beállítás befejezéséhez.

#### Öblítőkocozat

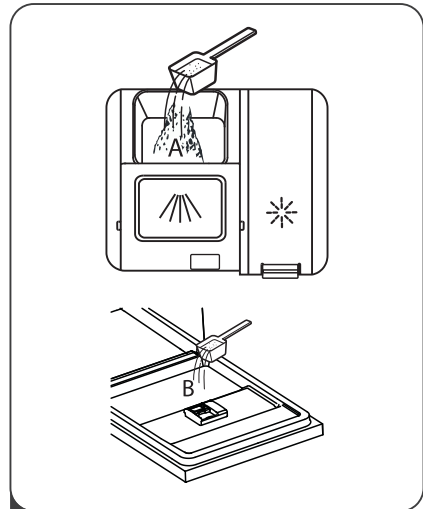
#### Jelentése

D1	D1-> Rapid világít
D2	D2-> 90 min világít
D3	D3-> Rapid és 90 min világít
D4	D4-> ECO világít
D5	D5-> Rapid és ECO világít

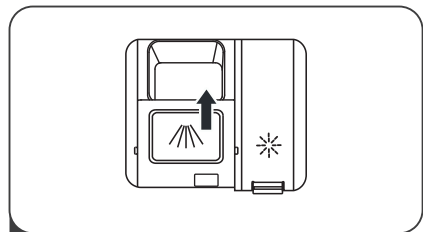
## A mosószeradagoló feltöltése



- 1 A fedelet az alábbi módszerek egyikével tudja kinyitni.
1. Nyissa ki a fedelet a kioldó retesz elcsúsztatásával.
  2. Nyissa ki a fedelet a kioldó retesz lenyomásával.



- 2 A fő mosási ciklushoz adjon mosószert a nagyobb rekeszbe (A). A jobb tisztítási eredmény érdekében, különösen ha nagyon szennyezett edényei vannak, öntsön kis mennyiségű mosószert az ajtóra is. A többi mosogatószert az előmosási fázisban aktiválódik.



- 3 Csukja be a fedelet az első rész felcsúsztatásával, majd nyomja le azt.

### MEGJEGYZÉS




- Vegye figyelembe, hogy a víz szennyezettségétől függően a beállítás eltérő lehet.
- Kérjük, tartsa be a mosogatószert csomagolásán található gyártói ajánlásokat.

# A MOSOGATÓGÉP PROGRAMOZÁSA

## Mosási ciklusok

Az alábbi táblázat megmutatja, hogy melyik a legideálisabb program (azok részleteivel) a különböző mértékben szennyeződött edényekhez, valamint, hogy mennyi mosószer a javasolt mennyiség.

● Jelentése: öblítőszer használata javasolt.

Program	Ciklus leírása	Mosószer Elő-/ főmosogatás	Időtartam	Energia (Kwh)	Víz (L)	Öblítőszer
 <b>Intensive</b>	Pre-wash (50°C) Wash (65°C) Rinse Rinse Rinse (65°C) Drying	$\frac{4}{13}$ g 1 or 2 tabs	205	1.378	15.3	●
<b>ECO</b> (*EN 60436)	Wash (45°C) Rinse Rinse (55°C) Drying	17 g	235	0.704	9.0	●
 <b>90 Min</b>	Wash (60°C) Rinse Rinse (65°C) Drying	$\frac{17}{1}$ g 1 tab	90	1.234	10.2	●
 <b>Rapid</b>	Wash (50°C) Rinse Rinse (45°C)	12 g	30	0.611	10.0	○



**ECO**  
(\*EN 60436)

Az ECO program a normálisan szennyezett edények tisztítására alkalmas, ez a leghatékonyabb program a kombinált energia- és vízfogyasztás szempontjából, és az EU ökodizájn-szabályozásnak való megfelelően értékelésre szolgál.

## Energiatakarékosság

1. Az edények előöblítése megnövekedett víz- és energiafogyasztáshoz vezet, ezért nem ajánlott.
2. Az edények háztartási mosogatógépben történő mosogatása a használati fázisban általában kevesebb energiát és vizet fogyaszt, mint a kézi mosogatás, ha a mosogatógépet az utasításoknak megfelelően használják.

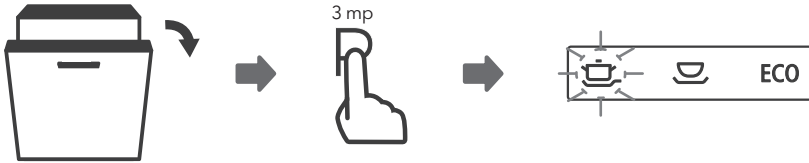
## Egy program elindítása

1. Húzza ki az alsó és felső kosarat, töltsse be az edényeket, és tolja vissza őket. Ajánlott először az alsó kosarat, majd a felsőt bepakolni.
2. Adagolja be a mosószer.
3. Csatlakoztassa a készüléket áramforráshoz. Az elektromos hálózati követelményeket lásd az utolsó oldalon a "Termék adatlap"-on. Győződjön meg arról, hogy a vízellátás megfelelő.
4. Nyissa ki az ajtót, érintse meg a bekapcsoló gombot, és a Be/Ki lámpa felvillan.
5. Válasszon ki egy programot, majd zárja be az ajtót, a mosogatógép elindítja a mosogatási ciklust.

## Folyamat közbeni programváltás

Egy rövid ideig még változtathat az elindított programon, de vegye számításba, hogy a mosogatószer a gép esetleg már beadagolta, valamint a vizet is már hozzáadta. Ha ezt tapasztalja, akkor a mosogatógépet újra kell indítani, valamint a mosogatószer is újból hozzá kell adni. Az újraindításhoz kövesse az alábbi lépéseket:

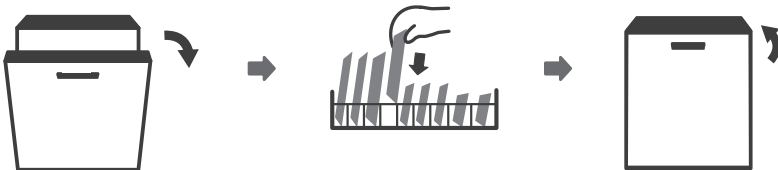
1. Nyissa ki egy kicsit az ajtót a mosogatógép leállításához. Miután a permetező kar megállt, teljesen kinyithatja az ajtót.
2. Tartsa nyomva a Program gombot három másodpercig, a gép programválasztó üzemmódba kerül.
3. Ekkor megváltoztathatja a programot.



## Elfelejtett hozzáadni egy edényt?

Egy kimaradt edényt bármikor hozzáadhat, mielőtt a mosószeradagoló kinyílik. Ebben az esetben kövesse az alábbi utasításokat:

1. Nyissa ki egy kicsit az ajtót a mosás leállításához.
2. Miután a permetezőkarok leálltak, teljesen kinyithatja az ajtót.
3. Tegye bele a kifelejtett edényeket.
4. Zárja be az ajtót.
5. A mosogatógép ismét elindul.



### FIGYELEM!



Veszélyes kinyitni az ajtót a ciklus közepén, mert a forró gőz sérüléseket okozhat.

# HIBAKÓDOK

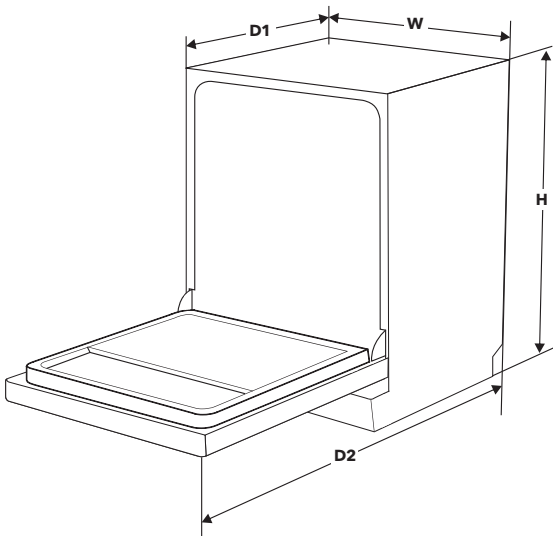
Meghibásodás esetén a mosogatógép hibakódot jelenít meg.  
A következő táblázat a lehetséges hibakódokat és azok okait mutatja be.

Hibakód	Jelentése	Lehetséges
A Rapid gyorsan villog	Lassú feltöltési sebesség.	A szelepek zárva vannak, vagy a víznyomás túl alacsony.
A 90 min és a Rapid gyorsan villog	Nem éri el a kívánt hőmérsékletet.	A fűtőelem meghibásodása.
Az ECO gyorsan villog	Túlcsordulás.	A mosogatógép valamelyik eleme szivárog.
Az intensive, ECO, Rapid gyorsan villog	Kommunikációs hiba a vezérlőben.	Alaplaphiba.

## FIGYELEM!

- Ha túlfolyik a készülékben a víz, zárja el a fő vízellátást.
- Ha a készülék aljában víz van, a mosogatógép újraindítása előtt el kell távolítani a vizet.
- Ha a hiba nem oldható meg egyszerűen, akkor forduljon szakemberhez.

# TECHNIKAI INFORMÁCIÓK



<b>Magasság (H)</b>	815mm
<b>Szélesség (W)</b>	448mm
<b>Mélység (D1)</b>	550mm (csukott ajtóval)
<b>Mélység (D2)</b>	1150mm (90°-ban kinyitott ajtóval)

## Termékinformációs lap (EN60436)

**Gyártó:** Tesla**Gyártó címe <sup>(b)</sup>:****Model azonosító:** WDI461M**Paraméterek:**

Paraméter	Érték	Paraméter	Érték	
Rated capacity <sup>(a)</sup> (ps)	9	Dimensions in cm	Magasság	82
			Szélesség	45
			Mélység	55
EEl <sup>(a)</sup>	55,9	Energiahatékonyság <sup>(a)</sup>	E <sup>(c)</sup>	
Cleaning performance index <sup>(a)</sup>	1,125	Szárítási hatékonyság-index <sup>(a)</sup>	1,065	
Energiafogyasztás (kWh) [ciklusonként], hideg vizes feltöltéssel, ECO programmal. A tényleges fogyasztás használatától függően eltérhet.	0,704	A literben megadott vízfogyasztás [ciklusonként], ECO program alapján. A tényleges vízfogyasztás használatától és a víz keménységétől függően eltérő lehet.	9,0	
Időtartam (a) (óra:perc)	3:55	Típus	Szabadonálló	
Zajszint (a) (dB(A) re 1 pW)	49	Zajszint (a)	C <sup>(c)</sup>	
Kikapcsolt mód (W)	0,49	Készenléti mód (W)	N/A	
Késleltetett indítás (W) (ha elérhető)	1,00	Csatlakoztatott fogyasztás (W) (ha elérhető)	N/A	

**A gyártó által kínált jótállási időtartam <sup>(b)</sup>:****Egyéb információ:**

Weblink a gyártóhoz, ahol a Bizottság (EU) 2019/2022 (1) (b) rendelet II. számú Melléklet 6. pontja megtalálható:

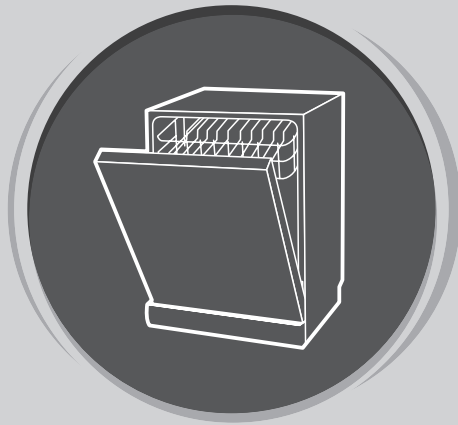
<sup>(a)</sup> ECO program.

<sup>(b)</sup> Ezen értékek módosítása nem releváns az (EU) 2017/1369 4. § (4) értelmében.

<sup>(c)</sup> Ha a termékadatbázis automatikusan kitölti a termékinformációkat, a gyártó nem írja felül a feltüntetett adattartalmat.

<sup>(1)</sup> A Bizottság (EU) 2019/2022 rendelete (2019. október 1.) a háztartási mosogatógépek környezettudatos tervezésére vonatkozó követelményeknek a 2009/125/EK európai parlamenti és tanácsi irányelv szerinti megállapításáról, az 1275/2008/EK bizottsági rendelet módosításáról és az 1016/2010/EU bizottsági rendelet hatályon kívül helyezéséről (Az Európai Unió Hivatalos Lapja 267. oldal).





# **МАШИНА ЗА МИЕЊЕ САДОВИ**

Упатство за употреба

## **ДЕЛ I: ОПШТИ УПАТСТВА**

Пред да ја користите машината за миење садови,  
внимателно прочитајте го ова упатство и чувајте го за идна употреба.

# БЕЗБЕДНОСНИ УПАТСТВА



## ПРЕДУПРЕДУВАЊЕ

Кога користите машина за миене садови, почитувајте ги следниве мерки на претпазливост:

- Инсталирањето и поправката може да ги врши само квалификуван техничар
- Уредот е наменет за употреба во домаќинството и за слични цели, како што се:
  - кујнски простори за вработување во продавници, канцеларии и други работни средини;
  - земјоделски домаќинства;
  - од гости на хотел и мотел, како и други видови сместувачки капацитети;
  - објекти кои обезбедуваат услуга ноќевање со појадок;
- Овој уред може да го користат деца на возраст од 8 или повеќе години и лица со намалени физички, сетилни или ментални способности или недостаток на искуство и знаење доколку се надгледувани или дадени инструкции за безбедно користење на уредот и се свесни за можниот ризик.
- Децата не треба да си играат со овој уред. Уредот не смеат да го чистат деца, освен ако тоа го прават под надзор. (Според EN60335-1)
- Овој уред не е наменет за употреба од лица (вклучувајќи деца) со намалени физички, сетилни или ментални способности или лица без искуство и знаење, освен ако не се под надзор или не добиле упатства за употреба на уредот од лице одговорно за нивната безбедност. (Според IEC60335-1) Пакувањето може да биде опасно за децата!
- Овој производ е наменет само за домашна и внатрешна употреба.
- За да го намалите ризикот од електричен удар, не потопувајте го производот, кабелот или приклучокот во вода или која било друга течност. Пред да го чистите и одржувате уредот, исклучете го напојувањето на уредот.
- За чистење, користете мека крпа натопена со благ сапун, а потоа повторно избришете со сува крпа.



## Инструкции за заземјување

- Овој уред мора да биде заземјен. Во случај на неисправност или дефект, заземјувањето ќе го намали ризикот од електричен удар со тоа што ќе и дозволи на електричната струја да го најде својот пат со најмалку
- отпор. Овој уред е опремен со приклучок за заземјување.
- Неопходно е приклучокот да е поврзан со соодветен штекер инсталиран и заземјен во согласност со сите локални кодови и прописи.
- Неправилното поврзување на опремата со проводникот за заземјување може да

предизвика ризик од електричен удар. Ако се сомневате во правилното заземјување на уредот, проверете

- заземјување заедно со квалификуван електричар или сервисен претставник.
- Ако приклучокот што доаѓа со уредот не одговара на штекерот, не го менувајте.
- Квалификуван електричар нека ви инсталира соодветен штекер или на полиците за садови, кои се во машина за миене садови.
- Не ја пуштајте за работа машината за миене садови доколку сите делови не се на своите позиции.
- Бидете многу внимателни кога ја отворате вратата на машината за миене садови додека работи, бидејќи постои ризик да ве испрска со вода. Не ставајте тешки предмети на отворената врата на машината и не стојте на неа. Уредот може да се преврти.
- При распоредување садови што треба да се мијат:
  1. Наредете ги остри предмети така што тие да не можат да го оштетат заптивката на вратата ;
  2. Предупредување: Ножевите и другите додатоци со остри врвови мора да бидат наредени во корпата така што нивните врвови се свртени надолу или мора да бидат поставени во хоризонтална положба.
- Некои детергенти за миене садови се многу алкални. Ако се проголтаат, може да бидат крајно опасни.
- Избегнувајте контакт со кожа и очи и држете ги децата подалеку од машината за миене садови ако вратата е отворена.
- На крајот од циклусот на перење, проверете дали има уште прашок од детергентот.
- Не перете пластични садови, освен ако не се означени како „безбедни за машинско перење“ или слично.
- За пластични садови кои немаат никакви ознаки, проверете ги препораките на производителот.
- Користете само детергенти и средство за плакнење препорачани за употреба во автоматски машини за миене садови.
- Никогаш не ставајте сапун, детергент за перење или детергент за раце во машина за миене садови.
- Не ја оставајте вратата отворена, бидејќи тоа го зголемува ризикот од сопнување.
- Ако кабелот за напојување е оштетен, мора да го замени производителот, неговиот сервисер или слично квалификувано лице, за да се избегнат можните ризици..
- За време на инсталацијата, кабелот за поврзување не смее да се свиткува или притиска на прекумерен или опасен начин.
- Не ги менувајте контролните копчиња неправилно.
- Уредот мора да биде поврзан со главниот вентил за вода со помош на нов комплект црева.

Не користете стари комплекти црева.

- За да заштеди енергија, уредот автоматски ќе се исклучи во режим на подготвеност ако машината не е активна во период од 15 минути.
- Максималниот број на комплекти за време на перењето е 9.
- Максималниот дозволен притисок на влезната вода е 1 mpa. Минималниот дозволен притисок на влезната вода е 0,04 MPa.
- The maximum number of place settings to be washed is 12.

### Отстранување



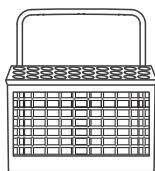
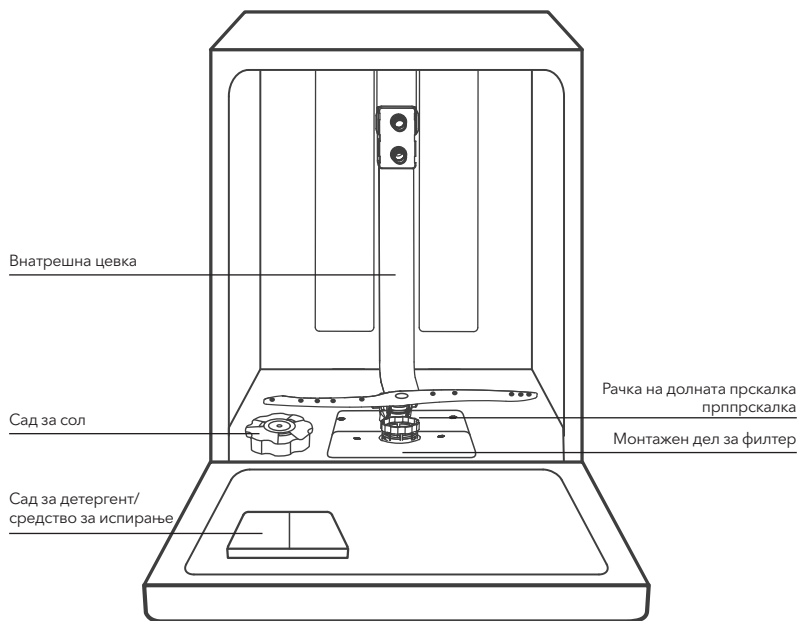
- За да го отстраните пакувањето и самиот уред, контактирајте со центар за рециклирање. Исечете го кабелот за поврзување и исклучете го механизмот за затворање на вратата на уредот.

- Картонската амбалажа е направена од рециклирана хартија и треба да се носи во место за собирање отпад од хартија за рециклирање.
- Со правилно фрлање на производот, ќе помогнете да се спречат потенцијалните негативни последици по животната средина и здравјето на луѓето, кои инаку можат да бидат предизвикани од неправилно отстранување на отпадот како што е овој уред.
- За повеќе информации за рециклирање на овој производ, ве молиме контактирајте ја канцеларијата на локалната самоуправа или службата за отстранување на комуналниот отпад.
- **ОТСТРАНУВАЊЕ: Не го фрлајте овој производ како несортиран комунален отпад. Овој вид отпад мора да се собира посебно за негов посебен третман.**

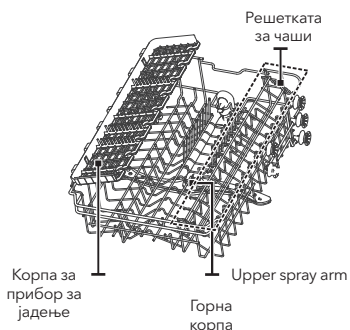
# ПРИКАЗ НА ПРОИЗВОД

## ВАЖНО!

За максимални перформанси на вашата машина за миење садови, прочитајте го целото упатство за употреба пред да ја користите за прв пат.



Полица за прибор за јадење



Корпа за прибор за јадење



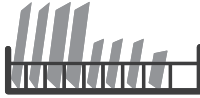
Долна корпа

## ЗАБЕЛЕШКА

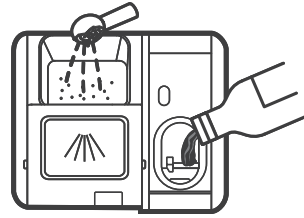
Сликите се дадени само за илустративни цели, различните модели може да се разликуваат.

# КОРИСТЕЊЕ НА ВАШАТА МАШИНА ЗА ПЕРЕЊЕ ЗА САДОВИ

Пред да почнете да ја користите машината за миење садови:



Внатре → Надвор



1. Прилагодете го омекнувачот на вода
2. Ставете сол во омекнувачот

3. Наредете ги садовите во корпи
4. Наполнете го садот за детергент / средство за плакнење

## ЗАБЕЛЕШКА

Ако треба да го прилагодите омекнувачот на вода, погледнете во Дел 1 „Омекнувач на вода“, кој се наоѓа во ДЕЛ II: Упатство за одреден модел.

## Ставете ја солта во омекнувачот

## ЗАБЕЛЕШКА

Ако моделот на вашата машина не користи омекнувач на вода, можете да го прескокнете овој дел. Користете само сол што е наменета за машина за миење садови.

Садот за сол се наоѓа под долната корпа и треба да се наполни како што е прикажано подолу во текстот:

## ⚠ ПРЕДУПРЕДУВАЊЕ

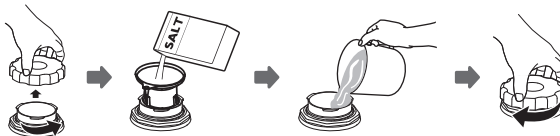
- **Користете само сол што е специјално произведена за машини за миење садови!**

Секој друг вид сол, кој не е специјално произведен за употреба во машина за миење садови, особено кујнската сол, ќе го оштети омекнувачот на вода. Во случај на штета предизвикана од употреба на несоодветен вид сол, производителот не дава никакви гаранции, ниту пак е одговорен за каква било штета предизвикана во таа прилика.

- **Додадете сол само веднаш пред машината да го започне циклусот на перење.**

На овој начин, ќе спречите потенцијално истурените зрна сол или солена вода да останат на дното на машината одреден временски период, што може да предизвика 'рѓосување'.

Следете ги чекорите подолу за да додадете сол за машина за миење садови:



1. Отстранете ја долната корпа и одвртете го капакот на резервоарот.
2. Ставете го долниот дел од инката (испорачана со производот) во отворот и истурете околу 1,5 кг сол за машината за миење садови
3. Наполнете го садот за сол со вода до максималната граница. Вообичаено е во оваа прилика да се истури мала количина на вода од садот за сол.
4. Откако ќе го наполните садот, вратете го капакот и цврсто зашрафете го.наpunite

5. Откако ќе додадете сол во садот за сол, предупредувачкото светло за сол ќе престане да трепка.
6. Некои од програмите за перење треба да се стартуваат веднаш по ставањето сол во садот за сол (Предлагаме да користите една од пократките програми).  
Во спротивно, солената вода може да го оштети системот за филтрирање, пумпата или некои други важни делови од машината. Во овој случај, гаранцијата нема да важи.

## ЗАБЕЛЕШКА

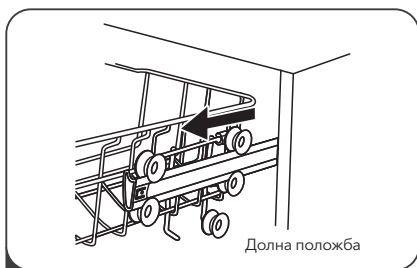
- Садот за сол мора да се полни само кога ќе се запали предупредувачкото светло за количината сол на контролната табла (☞). Во зависност од степенот на растворливост на сол, предупредувачкото светло за количина на сол може да продолжи да свети иако садот за сол е повторно наполнет.
- Ако уредот нема предупредувачко светло за количината сол на контролната табла (во некои модели), можете да процените кога да ставите сол во омекнувачот врз основа на бројот на циклуси на машината.
- Ако се истури сол, вклучете ја програмата за натопување или една од пократките програми за да ја отстраните.

## Совети за користење корпи

### Местење на горната корпа

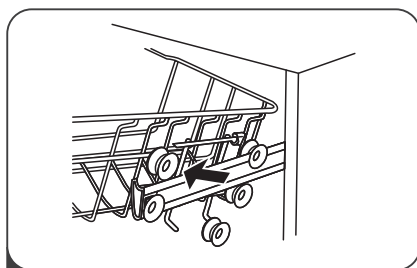
#### Тип 1:

Висината на горната корпа може лесно да се прилагоди така што високите садови може да се стават или во горната или во долната корпа. За да ја прилагодите висината на горната полица, следете ги чекорите подолу:

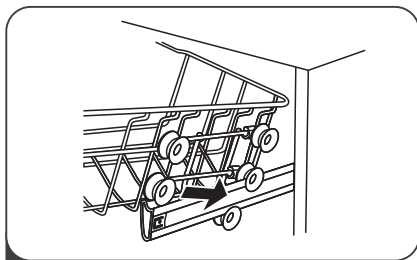


Долна положба

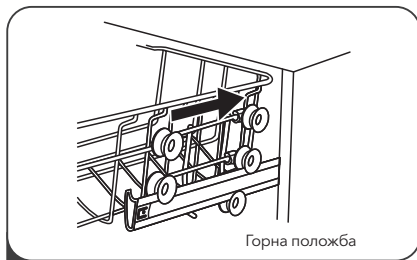
1 Извлечете ја горната корпа.



2 Отстранете ја горната корпа

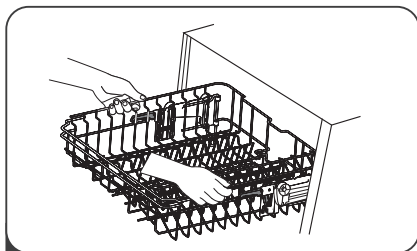


3 Поставете ја горната корпа користејќи ги горните или долните тркалца.

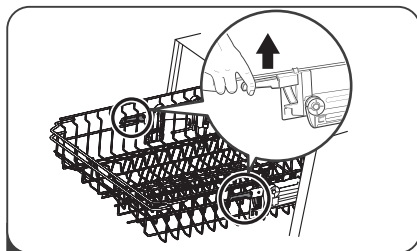


4 Турнете ја горната корпа во машината.

#### Тип 2:



1 Да се подигне полицата во горната положба; подигнете го додека двете страни не се на иста висина. Полицата ќе биде прикачена. Не треба да ја кревате рачката за прилагодување.



2 За да ја спуштите полицата, подигнете ја рачката за прилагодување на секоја страна за да ја спуштите корпата долу.

### Склопување на полицата за чаши

За да направите повеќе простор во корпата за миене садови за високи садови, подигнете ја решетката за чаши нагоре. На овој начин до него можете да поставите високи чаши. Можете исто така да ја тргнете ако не ви треба.

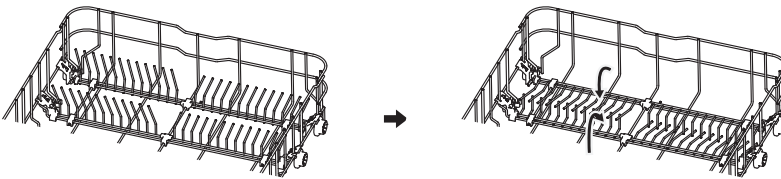


### Склопување на полица со шила

Боцките се користат за држење на чинии и овали. Тие може да се спуштат за да се направи повеќе простор за поголеми садови.

Кренете нагоре

Свиткајте наназад



## ОДРЖУВАЊЕ И ЧИСТЕЊЕ

### Одржување на надворешноста на уредот

#### Заптивка на вратата и вратата

Редовно чистете ги заптивките на вратата со мека, влажна крпа за да ги отстраните наслагите од храна. Кога ги редите садовите во машината за миене садови, остатоците од храна и пијалоци може да капнат по страните на вратата на машината за миене садови. Овие површини се наоѓаат надвор од просторот за перење и водата од прскалките не може да стигне до нив. Пред да ја затворите вратата, избришете ги сите наслагы.

#### Контролна табла

Ако контролната табла треба да се исчисти, избришете ја САМО со мека, влажна крпа.

#### ⚠ ПРЕДУПРЕДУВАЊЕ

- За да избегнете продирање на вода во бравата на вратата и електричните компоненти, не користете средства за чистење со распрскувач.
- Никогаш не користете абразивни средства за чистење или абразивни сунѓери кога чистите надворешни површини, бидејќи тоа може да ја изгребе површината. Некои хартиени крпи исто така може да ја изгребат површината или да остават треги на неа.

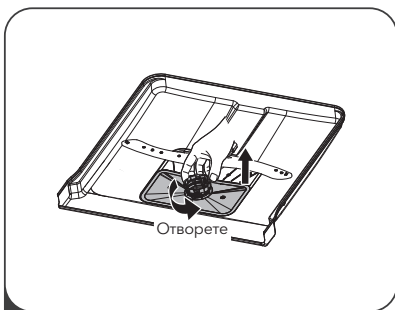
### Одржување на внатрешноста на уредот

#### Систем за филтрирање

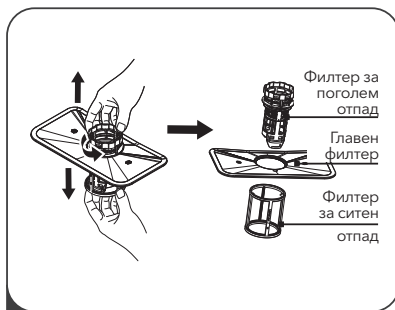
Системот за филтрирање, кој се наоѓа во долниот дел од областа за перење, го задржува поголемиот отпад што се создава за време на циклусот на перење. Собраниот поголем отпад може да доведе до затнување на филтерот. Редовно проверувајте ги филтрите и, доколку е потребно, чистете ги под млада вода. За да го исчистите филтерот во преградата за перење, следете ги чекорите подолу.

#### ☰ ЗАБЕЛЕШКА

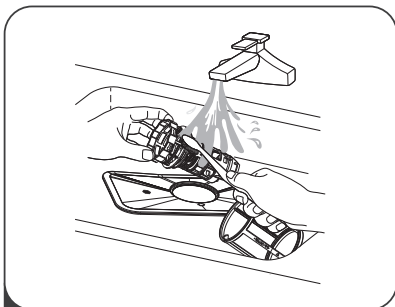
Сликите се дадени само за илустративни цели. Во различни модели, системите за филтрирање и прскалките може да се разликуваат.



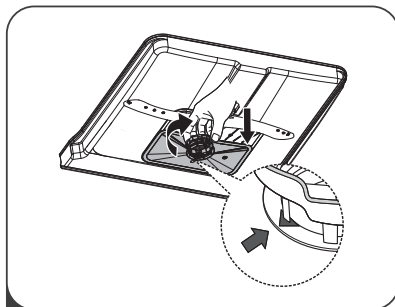
- 1** Фатете го филтерот за покрупен отпад и свртете го спротивно од стрелките на часовникот за да го отклучите. Подигнете го филтерот нагоре и извлекете го од машината за миење садови.



- 2** Филтерот за помал отпад може да се извлече од дното на делот за монтирање на филтерот.. Поголемиот филтер со отпад може да се одвои од главниот филтер со нежно притискање на јазиччињата на врвот и извлекување.



- 3** Поголемите остатоци од храна може да се исчистат со испирање на филтерот под проточна вода. За потемелно чистење, користете мека четка за чистење.



- 4** Повторно инсталирајте го филтерот во обратен редослед на расклопување, повторно наместете ја касетата за филтер и свртете ја во насока на стрелките на часовникот, сè до стрелката.



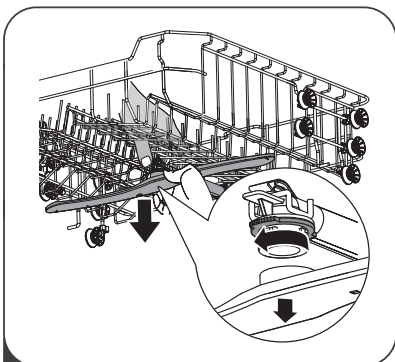
### ПРЕДУПРЕДУВАЊЕ

- Не прицврстувајте ги филтрите премногу цврсто. Вратете ги филтрите по наведениот редослед и добро прицврстете ги. Во спротивно, поголеми парчиња отпад може да навлезат во системот и да предизвикаат блокирање.
- НИКОГАШ не користете ја машината за миење садови ако филтрите не се правилно поставени. Неправилната инсталација на филтерот може да го намали нивото на перформансите на уредот и да ги оштети садовите и приборот.

### Рачки за прскалки

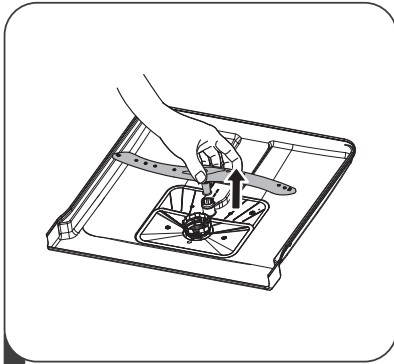
Потребно е редовно да ги чистите краците за прскање, инаку содржината на тврда вода ќе ги затне прскалките и ќе ги блокира лежиштата на прскалките.

За чистење на прскалките, следете ги следните упатства:

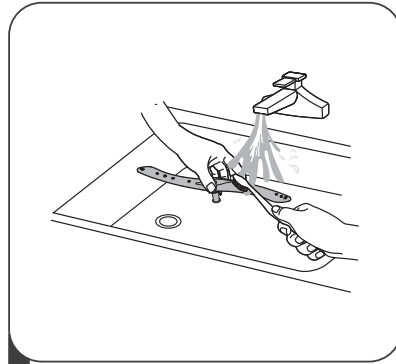


- 1** За да ја извадите горната рачка на прскалката, притиснете ја централната завртка за да не се движи, а потоа завртете ја рачката на распрскувачот спротивно од стрелките на часовникот.





**2** За да ја извадите долната рачка на прскалката, повлечете ја рачката на распрскувачот нагоре.



**3** Измијте ги рачките во топла вода со сапуница и користете мека четка за чистење на прскалките. По темелно плакнење, ставете ги назад во уредот.

## Грижа за машината за миење садови

### Мерки за заштита од мрзнење

Во текот на зимата, преземете ги сите мерки за да ја заштитите вашата машина за миење садови од смрзнување. По секој циклус на перење, направете го следново:

1. Исклучете ја машината за миење садови од штекерот.
2. Исклучете го доводот на вода и извадете ја цевката за довод на вода од вентилот за вода.
3. Искладете ја водата од доводната цевка и од вентилот за вода. (За собирање вода, користете длабок, широк сад)
4. Повторно поврзете го доводното црево за вода во вентилот за вода.
5. Отстранете го филтерот од дното на местото за перење и користете сунѓер за да ја соберете водата од мијалникот.

### После секое миење

По секое перење, исклучете го доводот на вода до уредот и оставете ја вратата делумно отворена за да не останат влага и мириси во уредот.

### Извлекете го приклучокот од штекерот

Пред каква било процедура за чистење или одржување, извлекете го приклучокот од штекерот.

### Не користете растворувачи или абразивни средства за чистење

Не користете растворувачи или абразивни производи при чистење на надворешниот дел и гумените елементи на уредот. Користете само крпа натопена во топла вода со сапуница.

За да отстраните дамки или дамки од внатрешните површини на уредот, користете крпа натопена со вода со малку оцет или специјализиран производ за чистење машини за миење садови.

### Кога уредот не се користи подолг временски период

Се препорачува да вклучите празна машина за миење садови еден циклус, потоа да ја исклучите од струја, да го исклучите доводот на вода и да ја оставите вратата на апаратот делумно отворена. Со оваа постапка ќе го продолжите животниот век на заптивките на вратата и ќе спречите создавање на непријатни мириси во внатрешноста на уредот.

### Транспорт на уредот

Доколку е потребно да го поместите уредот, обидете се да го држите во исправена положба за време на процесот. Само ако е навистина потребно, поставете го уредот на грб.

### Заптивки

Една од причините за непријатните мириси во машината за миење садови е храната заглавена во заптивките. Повременото чистење со влажен сунѓер ќе го спречи тоа.

# ИНСТРУКЦИИ ЗА ИНСТАЛАЦИЈА



## ПРЕДУПРЕДУВАЊЕ



### Опасност од струен удар

Пред да ја инсталирате машината за миење садови, исклучете го напојувањето. Ако не го направите тоа, може да предизвикате нечија смрт.



## ВНИМАНИЕ

Инсталирањето на цевки и електрична опрема треба да го направи стручно лице.

## За електричното поврзување



## ПРЕДУПРЕДУВАЊЕ

Лична безбедност:

- Не користете продолжни кабли или адаптери за поврзување на овој уред на струја.
- Во никој случај не го прекинувајте или отстранувајте приклучокот за заземјување од кабелот за поврзување.

### Барања во врска со електричната опрема

Погледнете ја плочката со спецификации за да знаете колкав напон користи вашата машина за миење садови и како да ја поврзете на правилниот приклучок. Користете го препорачаниот осигурувач, временски осигурувач или прекинувач со ознака 10A/13A/16A и обезбедете посебно коло наменето исклучиво на овој уред.

### Поврзување во струја

Проверете дали напонот и фреквенцијата на струјата одговараат на вредностите наведени на плочката со спецификации. Поврзете го приклучокот само на штекер што е правилно заземјен. Ако штекерот на кој мора да го поврзете уредот не се совпаѓа со приклучокот, заменете го штекерот. Не користете адаптери и слична опрема, бидејќи тие може да доведат до прегревање и да предизвикаат изгореници.

**⚠ Пред употреба, проверете дали има правилно заземјување.**

## Довод и одвод на вода

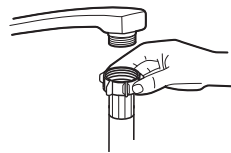
### Поврзување со ладна вода

Поврзете го цревото за довод на ладна вода со конекторот со навој од 3/4 (инчи) и проверете дали е добро прикачен.

Доколку водоводните цевки се нови или неискористени подолг временски период пуштајте вода низ нив и проверете дали водата е чиста. Мора да се преземат мерки на претпазливост за да се избегне ризикот од блокирање на протокот на вода на влезот и оштетување на уредот.

### За безбедносното доводно црево

Безбедносното доводно црево се состои од двојни сидови. Системот на ова црево дава гаранција дека ќе го блокира протокот на вода во случај на пукање на доводното црево и кога просторот помеѓу самото доводно црево и надворешното ребресто црево, кое е исполнето со воздух, се полни со вода.



Обично доводно црево



Безбедно доводно црево

## **!** ПРЕДУПРЕДУВАЊЕ

Цревето поврзано со тушот за мијалник може да пукне ако се стави на истиот довод на вода како и машината за миење садови. Доколку имате такво црево во лавабото, се препорачува да го извадите и да го затворите отворот.

### Како да го поврзете безбедносното доводно црево

1. Целосно извадете ги сигурносните црева за довод од просторот за складирање на задниот дел од машината за миење садови.
2. Прицврстете ги завртките за безбедносното црево за довод на славината со навој од 3/4 инчи..
3. Пред да ја вклучите машината за миење садови, целосно исклучете ја водата.

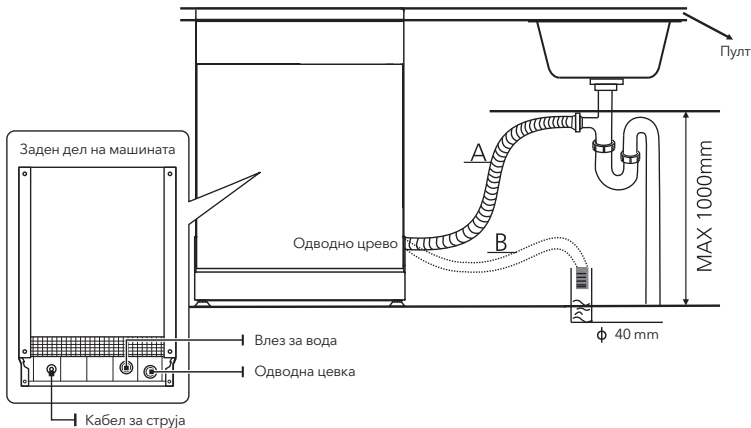
### Како да го извадите безбедносното доводно црево

1. Исклучете го доводот на вода.
2. Одвртете го безбедносното доводно црево од славината.

## Поврзување одводни црева

Вметнете го одводното црево во одводна цевка со минимален дијаметар од 4 cm или оставете го да истече во одводот, внимавајќи да не го свиткате или превиткате. Одводната цевка мора да се наоѓа на висина помала од 1000 mm. Слободниот дел од цревето не смее да се потопува во вода за да се избегне враќање на водата.

**!** Добро прицврстете го одводното црево и во случај на позиција А и во случај на позиција В.



### Како да се исцеди вишокот вода од цревата

Ако одводот е на височина од повеќе од 1000 mm од подот, вишокот вода во цревата нема да може да се исцеди директно во одводот. Потребно е вишокот вода од цревето да се исцеди во сад или соодветен сад што ќе го чувате надвор од мијалникот и на пониско ниво од него.

### Продолжно црево

Ако ви треба продолжено одводно црево, проверете дали е слично на она на кое го продолжувате. Не смее да биде подолг од 4 метри; во спротивно, ефектот на чистење на машината за миење садови ќе се намали.

### Поврзувачки сифони

Поврзувањето со канализациониот систем мора да биде на висина помала од 100 cm (максимум) од дното на машината за миење садови. Цревето за одвод на вода треба да се фиксира.

## Поставување на уредот

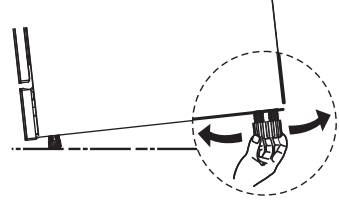
Ставете го уредот на саканата локација. Задниот дел на апаратот треба да се потпре на ѕидот зад него, а страните треба да бидат на исто ниво со околните кујнски елементи или ѕидови. Машината за миене садови е опремена со црева за довод и излез на вода што може да се постават или на десната или на левата страна, што го олеснува правилното поставување.

### Нивелирање на уредот

Кога апаратот е поставен за нивелирање, можете да ја промените висината на машината за миене садови со прилагодување на висината на завртките на стапалата. Во никој случај уредот не смее да се навалува повеќе од 2°.

### ЗАБЕЛЕШКА

Се однесува исклучиво на самостојни машини за миене садови.

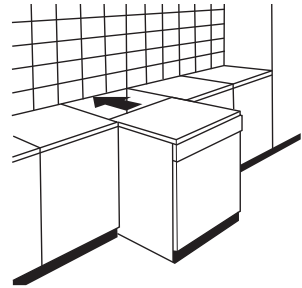


## Поставување на самостоен уред

### Поставување помеѓу постоечки кујнски елементи

Висината на машината за миене садови, која изнесува 845 mm, е дизајнирана да овозможи нејзина монтажа помеѓу постоечки кујнски елементи, кои во модерните кујни по нарачка ја имаат споменатата висина. Нозете може да се прилагодат за да достигнат соодветна висина.

Ламинираниот горен дел на машината не бара посебно одржување, бидејќи е отпорен на топлина, гребнатини и дамки.

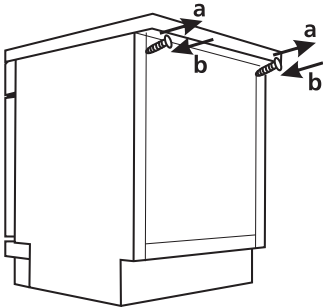


### Под постоечката работна површина

(кога уредот е поставен под работната површина)

Повеќето модерни кујни по нарачка имаат само една работна површина, под која се поставени кујнските елементи и електричните апарати.

Во овој случај, отстранете ја работната површина на машината за миене садови со одвртување на завртките што се наоѓаат на задниот раб на горната површина (а)



### ВНИМАНИЕ

По отстранувањето на горната работна површина, завртките МОРА повторно да се закачат на делот под задниот раб на горната површина (б). Така, висината на уредот ќе се намали на 815 mm, како што е наведено во Меѓународните регулативи (ISO), а машината за миене садови совршено ќе се вклопи под работната површина во кујната.

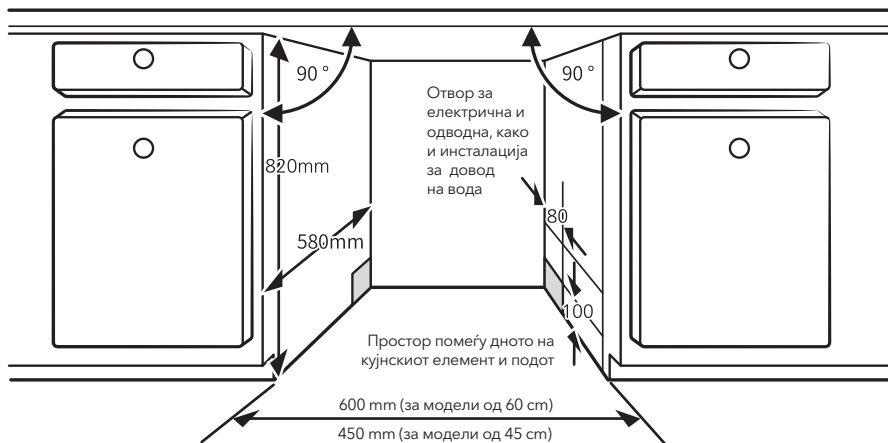
## Поставување на вградениот уред (за интегрираниот модел)

### Чекор 1.

#### Избор на најдобра локација за машината за миене садови

Машината за миене садови треба да биде поставена во близина на постојните влезни и излезни црева и кабел за поврзување. Илустрација на димензиите на кујнските елементи и локацијата на машината за миене садови.

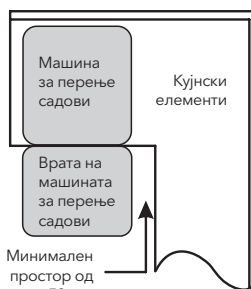
1. Помалку од 5 mm помеѓу горната површина на машината за миење садови и единицата во кујната, како и надворешната врата на исто ниво со кујнскиот уред.



2. Ако ја поставите машината за миење садови во далечниот агол во однос на кујнските елементи, треба да оставите доволно простор за отворање на вратата.

#### ЗАБЕЛЕШКА

Во зависност од тоа каде се наоѓа отворот за електрични инсталации, можеби ќе треба да го просечете отворот на спротивната страна на кујнскиот елемент.



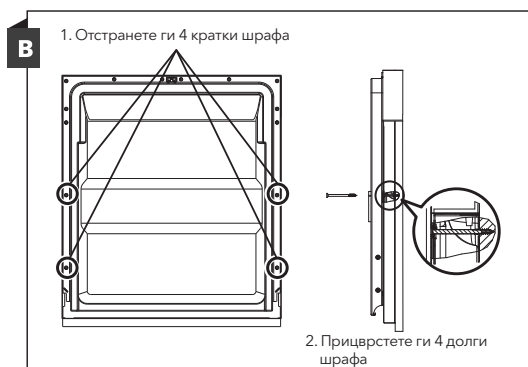
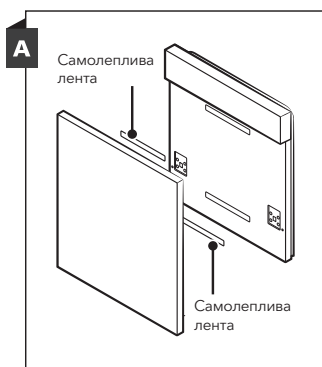
## Чекор 2. Димензии и поставување на декоративната табла

#### ЗАБЕЛЕШКА

Можете да направите украсна дрвена табла врз основа на цртежите поврзани со инсталацијата на уредот.

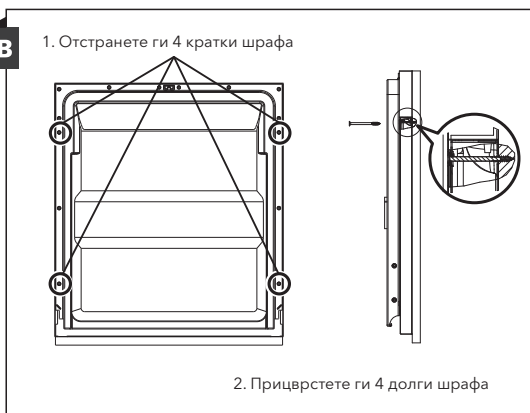
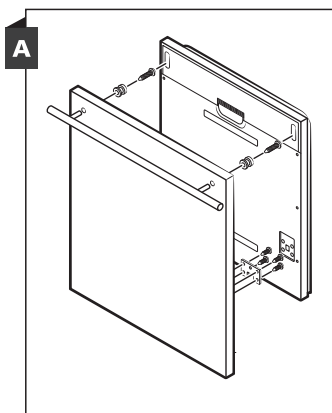
## Полуинтегриран модел

Одлепете ја самолепливата лента А од самолепливата лента Б, потоа залепете ја самолепливата лента А на декоративната дрвена штица и филц самолепливата лента В на надворешната страна на вратата на машината за миење садови (види слика А). Откако ќе ја поставите таблата, прикачете го на надворешната страна на вратата користејќи шрафови и завртки (види слика Б).



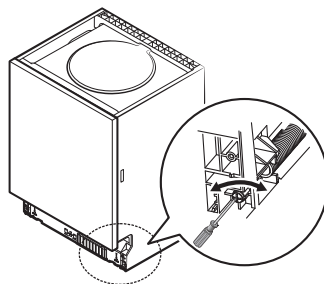
### Целосно интегриран модел

Одлепете ја самолепливата лента А од самолепливата лента В, потоа залепете ја самолепливата лента А на дрвениот преден панел и филц самолепливата лента В на надворешната страна на вратата на машината за миење садови (видете слика А). Откако ќе ја поставите таблата, прикачете ја на надворешната страна на вратата користејќи штрафови и завртки (види слика Б).



### Чекор 3. Прилагодување на затегнатоста на пружината на вратата

1. Затегнатоста на пружините на надворешната врата е правилно прилагодена во фабриката. Ако поставувате декоративни дрвени панели, мора да ја прилагодите затегнатоста на пружината на вратата.
2. Завртете ја завртката за прилагодување за да додадете дополнително затегнување на подесувачот или за да го олабавите челичниот кабел.



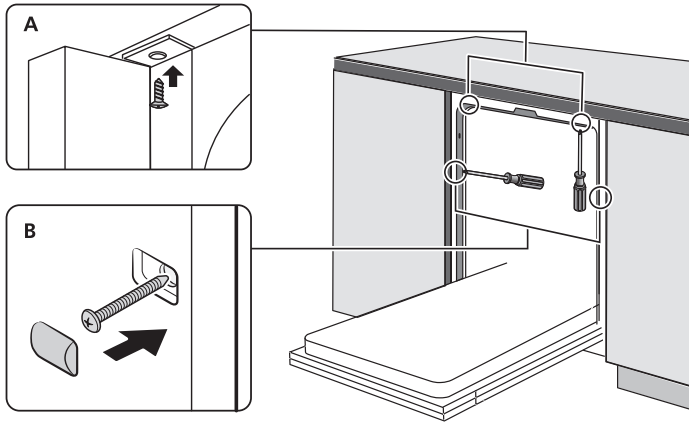
### Чекор 4. Чекори за поставување на машината за миење садови

#### ЗАБЕЛЕШКА

Погледнете ги наведените чекори за инсталирање на уредот во цртежите за инсталација.

1. Закачете ја лентата за завој под работната површина на кујнските елементи. Проверете дали лентата за завој цврсто се вклопува на работ на работната површина. (Чекор 2)
2. Поврзете го доводното црево со доводот за ладна вода.
3. Поврзете го одводното црево
4. Поврзете го кабелот за приклучок
5. Ставете ја машината за миење садови на нејзиното одредено место. (Чекор 4)
6. Израмнете ја машината за миење садови. Задната нога може да се прилагоди од предната страна на машината за миење садови со вртење на завртката Phillips која се наоѓа во центарот на дното на машината за миење садови и со помош на шрафцигер крстач. За да ги прилагодите предните ногарки, користете шрафцигер со рамна глава и вртете ги предните ногарки додека машината за миење садови не се израмни. (Чекор 5 и чекор 6)
7. Поставете ја декоративната врата од надворешната страна на вратата на машината за миење садови. (Чекор 7 до 10)
8. Прилагодете ја затегнатоста на пружините на вратата со помош на инбус клуч што ќе го свртите во насока на стрелките на часовникот, со што ќе ги затегне и левата и десната пружина. Ако не го сторите тоа, може да ја оштетите вашата машина за миење садови. (Чекор 11)

1. Машината за миене садови мора да биде добро прицврстена. Ова може да се направи на два начина:
  - A. Нормална работна површина: Ставете го држачот за прицврстување во отворот во страничниот дел и прицврстете го на работната површина со дрвени завртки.
  - B. Мермерна или гранитна работна површина: Закачете со завртка од страна.

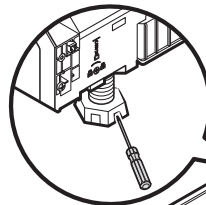


### Чекор 5. Израмнување на машината за миене садови

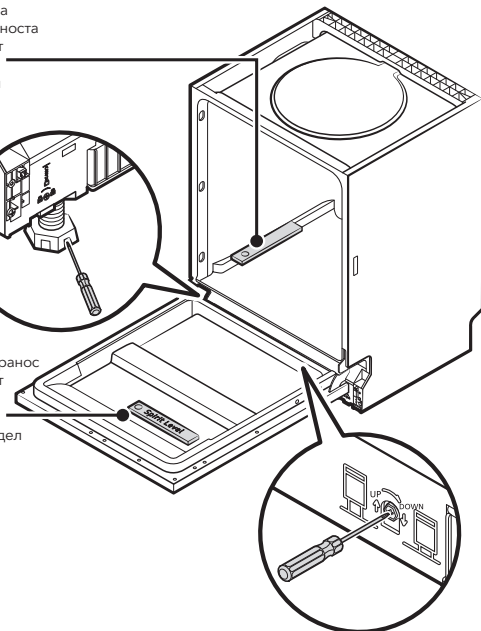
Машината за миене садови мора да биде израмнета за правилна употреба на решетките за садови и подобри перформанси на миенеџето.

1. Ставете либела на вратата и на шината на полицата во внатрешноста на преградата за перење како што е прикажано на сликата за да проверите дали машината за миене садови е израмнета.
2. Израмнете ја машината за миене садови со прилагодување на секоја од трите стапала за израмнување посебно.
3. Кога ја израмнувате машината за миене садови, водете сметка машината за миене садови да не се преврти.

Проверете ја изнивелираноста на предниот во однос на задниот дел



Проверете ја изнивелираноста на едниот во однос на другиот страничен дел



### ЗАБЕЛЕШКА

Максималната висина на подесувањето на ногата е 50 mm.

# СОВЕТИ ЗА РЕШАВАЊЕ ПРОБЛЕМИ

## Пред да повикате сервис

Прочитајте ги информациите прикажани на следните страници, бидејќи на овој начин можете да избегнете повикување сервис.

Проблем	Можни причини	Што да се направи
Машината за миење садови не се вклучува	Осигурувачот изгоре или прекинувачот го прекина струјното коло	Заменете го осигурувачот или повторно вклучете го прекинувачот. Исклучете ги сите уреди што го користат истото коло како машината за миење садови
	Напојувањето не е вклучено.	Проверете дали машината за миење садови е вклучена и вратата е добро затворена. Проверете дали кабелот за напојување е правилно приклучен во штекерот.
	Притисокот на водата е низок.	Проверете дали машината е правилно поврзана со доводот на вода и дали водата тече.
	Вратата на машината за миење садови не е правилно затворена.	Проверете дали вратата е правилно затворена и заклучена.
Машината за миење садови не исфрла вода	Цревото за одвод е свиткано или приклезнено.	Проверете го одводното црево.
	Филтерот е затнат.	Проверете го филтерот за поголеми остатоци.
	Мијалникот е затнат.	Проверете го мијалникот за да бидете сигурни дека добро исцеди. Ако проблемот е предизвикан од мијалник што не цеди, веројатно ќе ви треба повеќе водоводчија отколку мајстор за миење садови.
Сапуница во местото за перење	Несоодветен детергент.	Користете само специјален детергент за миење садови за да избегнете формирање на губриња од сапуница. Ако тоа се случи, отворете ја машината за миење садови и почекајте да испари водата со сапуница. Истурете приближно 1 литар ладна вода на дното на машината. Затворете ја вратата на машината и потоа изберете кој било циклус на перење. Машината првично ќе ја исцеди водата. На крајот од фазата на цедење, отворете ја вратата и проверете дали има уште вода со сапуница. Повторете го овој процес по потреба.
	Истурено средство за плакнење.	Секогаш и веднаш бришете го средството за плакнење доколку се истури.
Дамки од внатрешната страна на местото за перење	Можеби е користен детергент што содржи средство за боенење.	Погрижете се детергентот да не содржи средство за боенење.



Проблем	Можни причини	Што да се направи
Бел филм на внатрешните површини на местото за перење	Минерали од тврда вода.	За чистење на внатрешноста, користете влажен сунѓер што содржи детергент за миење садови. Носете гумени ракавици. Никога не користете други средства за чистење бидејќи тие може да создадат пена или вода со сапуница.
На приборот за јадење се појавуваат дамки од 'рѓа	Приборот за јадење е направен од материјали кои не се отпорни на 'рѓа.	Избегнувајте миење садови кои не се отпорни на 'рѓа во машина за миење садови.
	Не сте ја вклучиле машината веднаш по додавањето сол. Трагите од сол го достигнале циклусот на перење.	Откако ќе додадете сол, секогаш вклучете една од програмите за перење без садови во машината. Не ја вклучувајте опцијата Turbo (ако машината ја има).
	Капакот е лабав.	Проверете дали капачето на омекнувачот е безбедно на своето место.
Во машината за миење садови се слуша звук на тропане	Рачката на прскалната удира во некој сад во корпата	Запрете ја програмата и преуредете ги садовите што ја блокираат рачката на распрскувачот.
Во машината за миење садови се слуша звук на штраќање	Кршливите садови во машината за миење садови не се наредени така што да стојат стабилно.	Запрете ја програмата и преуредете ги кршливите садови.
Во водоводните цевки се слуша звук на тропане	Причината за ова може да биде инсталацијата на самото место или вкрстување на цевководи.	Ова на кој било начин не влијае на работата на машината за миење садови. Ако имате било какви сомнежи, контактирајте со квалификуван водоводчија.
Садовите не се чисти	Садовите не се наредени правилно.	Видете ги белешките за ДЕЛ II „Подготовка и распоредување на садовите во машина за миење садови“.
	Програмата не е доволно силна.	Вклучете поинтензивна програма.
	Не е додаден доволно детергент.	Додадете повеќе детергент или сменете го детергентот.
	Садовите го блокираат движењето на краците за прскање.	Преуредете ги садовите така што прскалките слободно да се вртат.
	Комплетот филтер е валкан или не е правилно поставен на дното на преградата за перење на машината. На овој начин може да се блокираат прскалките на рачките на прскалната.	Исчистете го и/или инсталирајте го филтерот правилно. Исчистете ги прскалките на краците на прскалната.
Стаклените садови се заматени.	Комбинација од мека вода и премногу детергент.	Ако водата што ја користите е мека, користете помалку детергент и користете пократки циклуси за миење стаклени садови
На садовите и чашите се појавуваат бели дамки.	Употребата на тврда вода може да предизвика формирање на наслаги од бигор.	Проверете ги поставките на омекнувачот на вода или наполнете го садот за сол.

Проблем	Можни причини	Што да се направи
На садовите се појавуваат црни или сиви дамки	Садовите биле во посилен контакт со алуминиумски прибор	За да ги отстраните гореспомнатите дамки, користете благо абразивно средство за чистење.
Во садот за детергент останува детергент	Садовите го блокираат отворот на садот за детергент.	Поставете ги садовите соодветно.
Садовите не се сушат	Садовите не се наредени правилно.	Наредете ги садовите како што е прикажано во упатствата. За да избегнете иритација на кожата, бидејќи на садовите може да се најдат остатоци од детергент, користете ракавици.
	Садовите беа извадени од машината премногу брзо.	Не вадете ги садовите од машината за миење садови веднаш по завршувањето на циклусот на миење. Отворете ја малку вратата за да се ослободи пареата. Извадете ги садовите штом температурата во преградата за перење ќе падне доволно за да можете да ги допирате предметите. Најпрво извадете ги садовите од долната корпа, за водата од горната корпа да не капе на долната.
Садовите не се сушат	Вклучивте погрешна програма.	Со пократки програми, температурата на перење е пониска, што го намалува ефектот на перење. Изберете програма која има долг период на перење.
	Употреба на прибор за јадење со неквалитетна завршица.	Процесот на цедене на водата е потешок кај ваквите садови. Прибор за јадење или садови од овој тип не се погодни за перење во машина за миење садови.

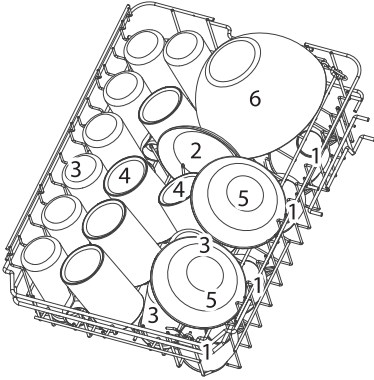

**ПРЕДУПРЕДУВАЊЕ**

Поправка на уредот од страна на непрофесионално лице може да ја загрози безбедноста на корисникот на уредот. Исто така, тоа може да влијае на промената на гарантните услови.

# ПОСТАВУВАЊЕ НА САДОВИ ВО КОРПА СПОРЕД СТАНДАРД EN 60436

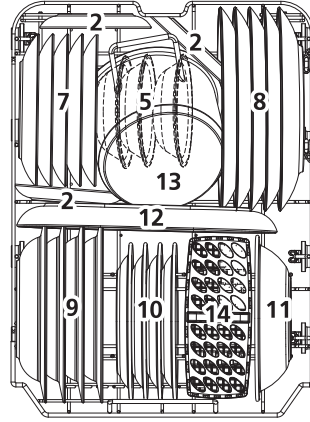
Користењето на целосниот капацитет на машината за миене садови при полнење придонесува за заштеда на енергија и вода.

## 1. Горна корпа:



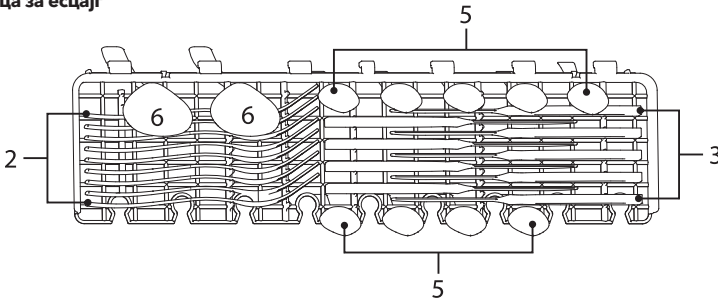
Број	Ставка
1	Филцани
2	Тацни
3	Чаши
4	Кригли
5	Чинии за десерт
6	Стаклени чинии

## 2. Долна корпа:



Број	Ставка
7	Десертни чинии
8	Чинии за ручање
9	Чинии за супа
10	Меламински десертни чинии
11	Меламински чинии
12	Овали
13	Мали лонци
14	Корпа за есцајг

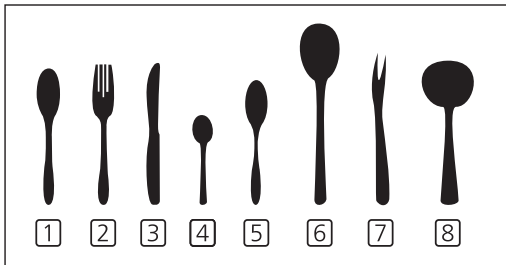
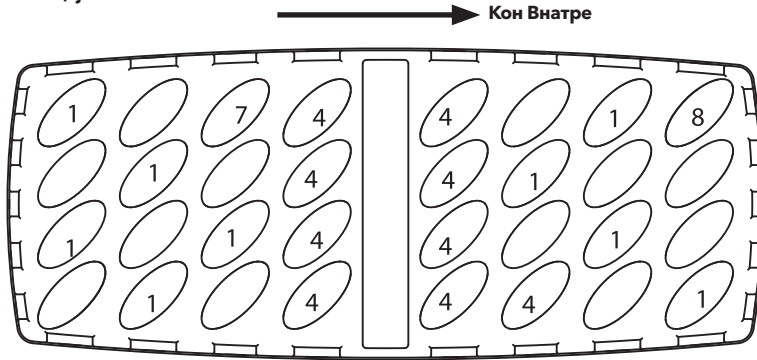
### 3. Полица за есцајг



#### ЗАБЕЛЕШКА

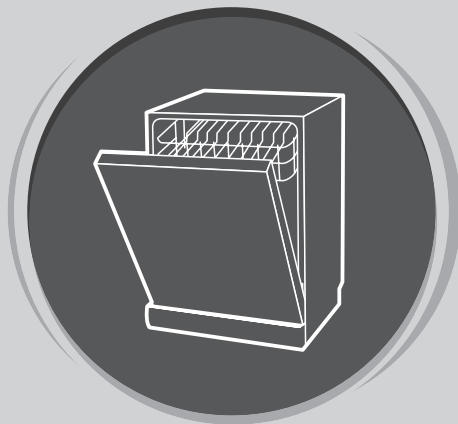
Ставете лесни, рамни парчиња есцајг на полицата. Вкупната тежина мора да биде помала од 1,5 кг.

### 4. Корпа за есцајг



Број	Ставка
1	Супени лажици
2	Виљушки
3	Ножеви
4	Кафени лажички
5	Лажички за десерт
6	Лажички за сервирање
7	Виљушки за сервирање
8	Кутлаци за сос

Информации за компаративни тестови во согласност со стандардот EN60436  
 Капацитет: 9 комплекти  
 Позиција на горната корпа: долна позиција  
 Програма: ECO  
 Постапка за средство за плакнење: MAX  
 Поставање на омекнувачот: H3



# **МАШИНА ЗА МИЕЊЕ САДОВИ**

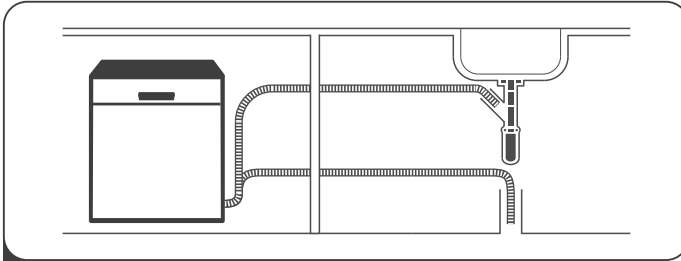
Упатство за употреба

**ДЕЛ II: ИНСТРУКЦИИ ЗА  
СПЕЦИФИЧНИОТ МОДЕЛ  
WDI461M**

Пред да ја користите машината за миење садови,  
внимателно прочитајте го ова упатство и чувајте го за идна употреба.

# КРАТКО УПАТСТВО ЗА УПОТРЕБА

За подетални информации за тоа како да го употребите, ве молиме прочитајте ја содржина во упатството за употреба.

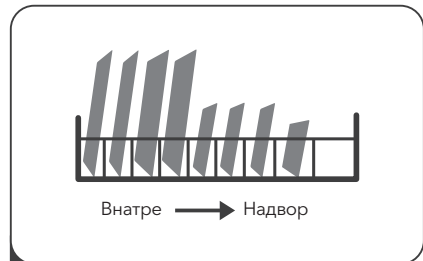


**1** Поставете ја машината за миење садови

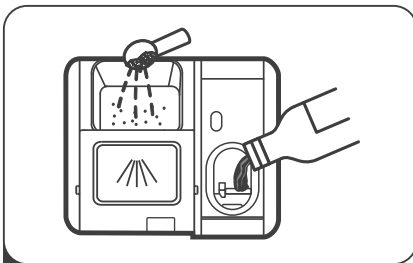
(Видете го делот 5 „УПАТСТВА ЗА ПОСТАВУВАЊЕ“ под ДЕЛ I: Општи упатства.)



**2** Тргнете ги поголемите остатоци од јадења од садовите. Uklonite veće ostatke sa posuda. Избегнувајте претходно плакнење.



**3** Наредете ги садовите во корпи.



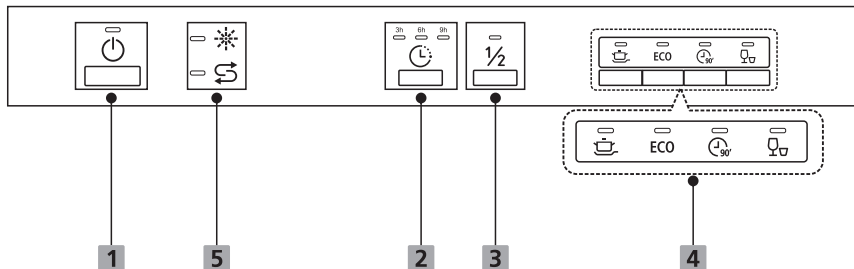
**4** Наполнете го садот за детергент / средство за плакнење iteposudu za deterđent / sredstvo za ispiranje.



**5** Изберете ја соодветната програма и вклучете ја машината за миење садови.

# КОРИСТЕЊЕ НА ВАШАТА МАШИНА ЗА МИЕЊЕ САДОВИ

## Контролна табла







### Опција (копче)

**1** Вклучување    Притиснете го ова копче за да ја вклучите машината; контролната табла ќе светне.

**2** Одложен почеток    Притиснете го копчето за да го одложите времето на започнување на уредот.


**3** Половина капацитет    Ако имате околу половина од вкупниот број садови за миење или помалку, можете да ја изберете оваа функција за да заштедите енергија и вода. (Оваа функција може да се користи само во интензивен режим, ЕКО, 90 мин.)

Изберете ја соодветната програма за миење, светлото ќе се вклучи на индикаторот за избраната програма.

- 4** Програм
-  **Intensive**  
За многу извалкани садови, како што се тенџериња и тави. Со загорена храна.
  -  **ECO**  
Ова е стандардна програма погодна за нормално извалкани садови како што се тави, чинии и чаши и за помалку извалкани тави.
  -  **90 min**  
За нормално извалкани садови кои треба брзо да се мијат.
  -  **Забрзано**  
Пократка програма за миење на малку извалкани садови кои не треба да се сушат.

### Екран

**5** Предупредување  
Индикатор

**Средство за плакнење**  
Ако иконата на индикаторот “” е вклучена, нема доволно средство за плакнење во машината за миење садови и треба повторно да се наполни.

**Значи**  
Ако иконата на индикаторот “” е вклучена, нема доволно сол во машината за миење садови и треба да се додаде.

## Омекнувач на вода

Омекнувачот на вода мора рачно да се прилагоди со помош на тркалцето за тврдост на водата. Омекнувачот на вода е дизајниран да ги отстранува минералите и солите од водата, што инаку би имало штетно или неповолно влијание врз работата на уредот. Колку е поголема содржината на минерали во водата што ја користите, толку е потешка. Количината на омекнувачот треба да се прилагоди според тврдоста на водата во областа каде што живеете. Можете да добиете информации за тврдоста на водата во областа каде што живеете од вашата локална управа за вода.

### Подесување на потрошувачката на сол

Машината за миене садови е дизајнирана да овозможи прилагодување на количината на сол што се користи врз основа на тврдоста на водата што се користи. Целта е да се оптимизира и прилагоди нивото на потрошувачка на сол за секој поединечен случај.

За да ја прилагодите потрошувачката на сол, следете ги чекорите подолу.

1. Вклучете го уредот;
2. Продолжете со притискање на копчето Забрзано повеќе од 5 секунди за да го активирате режимот за прилагодување на омекнувачот на вода во рок од 60 секунди по вклучувањето на уредот ;
3. Притиснете го копчето Брзо за да ја изберете соодветната поставка според вашата околина. Поставките ќе се променат по следниот редослед: Н3->Н4->Н5->Н6->Н1->Н2->Н3;
4. Притиснете го копчето за вклучување/исклучување за да излезете од режимот за поставување.

Тврдост на водата				Ниво на омекнувач на вода	Се обновува на секој Програми секвенци <sup>1)</sup>	Потрошувачка на сол (грам/циклус)
Германски dH *	Француски fH **	Британски Clarke ***	Mmol/l			
0 - 5	0 - 9	0 - 6	0 - 0.94	Н1-> Светлото за режим е вклучено, Брзо перење	Нема регенерација	0
6 - 11	10 - 20	7 - 14	1.0 - 2.0	Н2->90 min Светлото на режимот е вклучено	10	9
12 - 17	21 - 30	15 - 21	2.1 - 3.0	Н3->90 min, Светлото на режимот е вклучено, Брзо перење	5	12
18 - 22	31 - 40	22 - 28	3.1 - 4.0	Н4->ЕКО (Еколошки), Брзо перење	3	20
23 - 34	41 - 60	29 - 42	4.1 - 6.0	Н5->ЕКО (Еколошки), Светлото на режимот е вклучено, Брзо перење	2	30
35 - 55	61 - 98	43 - 69	6.1 - 9.8	Н6->ЕКО (Еколошки) Светлото на режимот е вклучено	1	60

1°dH=1.25 °fH=0.178mmol/l °Klarkov=1.78

Фабрично подесување: Н3. За информации во врска со тврдоста на водата што ја користите, контактирајте со локалната управа за водоснабдување.

<sup>1)</sup> Секој циклус со опцијата за регенерација троши дополнителни 2 литри вода, потрошувачката на енергија се зголемува за 0,02 kWh, а програмата се продолжува за 4 минути.

### ЗАБЕЛЕШКА

Проверете го дел 3 „Ставање сол во омекнувачот“, ДЕЛ I: Општи упатства, доколку нема доволно сол во вашата машина за перење.

### ЗАБЕЛЕШКА

**Ако моделот на вашата машина не користи омекнувач на вода, можете да го прескокнете овој дел.**

### Омекнувач на вода

Тврдоста на водата варира од место до место. Ако машината за миене садови користи тврда вода, ќе се појават наслани на садовите и приборот за јадење.

Уредот е опремен со специјална преграда за омекнувачот и има сад за сол, кој е специјално дизајниран да ги елиминира бигорот и минералите од водата.



## Подготовка и распоредување на садовите во машината

- Размислете да купите прибор за јадење со ознака „се пере во машина“.
- За одредени јадења, изберете ја програмата со најниска можна температура .
- За да избегнете оштетување, не отстранувајте чаши и прибор за јадење од машината за миење садови веднаш по завршувањето на програмата.

### Следниве типови на прибор за јадење/садови:

#### Не се погодни за перење:

- Прибор за јадење со дрвени, рогови, порцелански или бисерни рачки
- Пластични предмети кои не се отпорни на високи температури
- Постари видови прибор за јадење со залепени делови кои не се отпорни на високи температури
- Залепени прибор за јадење или садови
- Лимени или бакарни садови
- Кристални чаши
- Садови за готвење од нерѓосувачки челик
- Дрвени овали
- Садови за јадење изработени од синтетички влакна

#### Делумно се погодни за перење:

- Некои типови чаши може да го изгубат сјајот по неколку циклуси на перење
- Сребрените и алуминиумските делови обично ја менуваат бојата при перење
- Ако често се мијат во машината, застаклените елементи може да потемнат

### Препораки за распоредување на садовите во машината

Отстранете ги поголемите парчиња од преостанатата храна. Оемкнете ги остатоците од изгорената храна во тавите. Не е неопходно да се мијат садовите со проточна вода.

За најдобри перформанси на машината за миење садови, следете ги овие упатства за распоредување на садовите во машината за садови.

**(Карактеристиките и изгледот на корпите и корпите за прибор за јадење може да се разликуваат од корпите во вашиот модел.)**

Наредете ги предметите во машината за садови на следниов начин:

- Садови како филцани, чаши, тенџериња/тави итн. ставете во обратна положба.
- Заоблените садови и садовите со недостапни делови треба да се постават дијагонално, за да може водата непречено да истекува.
- Целосните додатоци треба да се наредени така што да бидат стабилни и да не се превртуваат.
- Целосните додатоци треба да бидат поставени така што прскалките можат слободно да се вртат за време на процесот на перење.
- Ставете шупливи садови, како што се филцани чаши, тави итн., така што отворот е свртен надолу, за да не се собира вода во садот или длабокото дно.
- Садовите и приборот за јадење не смеат да се ставаат еден во друг или да се покриваат еден со друг. За да избегнете оштетување на чашите, внимавајте да не се допираат.
- Горната корпа е наменета за понежни и полесни садови, како чаши и филцани за кафе и чај.
- Ножевите со долги сечила поставени во исправена положба се потенцијална опасност!
- Долгите и/или остри парчиња прибор за јадење, како што се ножевите за сечење, мора да се стават во горната корпа, во хоризонтална положба.
- Не преоптоварувајте ја машината за миење садови. Постојат добри причини зошто е важно да се следи ова упатство, а една од причините е разумната потрошувачка на енергија

### ЗАБЕЛЕШКА

Исклучително малите предмети не треба да се мијат во машина за садови, бидејќи лесно може да испаднат од корпата.

### Вадење садови

За да спречите капење вода од горната кон долната корпа, ви препорачуваме прво да ја отстраните содржината од долната, а потоа и од горната корпа.

**⚠ ПРЕДУПРЕДУВАЊЕ!**

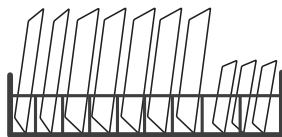
**Садовите ќе бидат жешки!** За да избегнете оштетување, не вадете ги чашите и приборот за јадење од машината за миене садови најмалку 15 минути по завршувањето на програмата.

**Распоред на садовите во горната корпа**

Горната корпа е наменета за почувствителни и полесни садови, како што се чаши, филцани и послужавници за кафе и чај, како и чинии, мали чинии и плитки тави (ако не се претерано валкани). Поставете ги садовите и елементите за готвење така што да не може да се поместуваат од протокот на вода.

**Распоред на садовите во долната корпа**

Ви предлагаме во долната корпа да наредите големи садови, како и садови кои најтешко се мијат, како тенџериња, тави, капаци, садови за сервирање и чинии, како што е прикажано на сликата. Најдобро е да поставите садови за сервирање и капаци на страните на полиците, за да не го блокирате вртењето на горната прскалка. Се советува да не ставате чинии со дијаметар поголем од 19 cm пред садот за детергент, за да се спречи блокирање.

**Редување садови во корпа за прибор за јадење**

Приборот за јадење треба да се сортира во полицата за прибор за јадење, така што секој елемент од приборот да стои посебно, на своето одредено место. Дополнително, погрижете се додатоците да не се групирани премногу густо, бидејќи тоа може да резултира со слаби перформанси на машината.

**⚠ ПРЕДУПРЕДУВАЊЕ!**

Не дозволувајте делови од садовите да сиркаат низ дното. Секогаш поставувајте ги острите прибори со острата точка свртена надолу!

**☰ ЗАБЕЛЕШКА**

За најдобар ефект на миене, наредете ги садовите во корпите според стандардните методи на распоредување, наведени во последниот дел од ДЕЛ I: ОПШТИ УПАТСТВА

## Улогата на средството за плакнење и детергентот


Средството за плакнење се издава за време на последното плакнење за да се спречи формирање на вода во капки на вашите садови, што може да остави кружни и шарени дамки. Покрај тоа, овој агенс го подобрува сушењето бидејќи дозволува водата да се лизне од садовите. Наменет е да биде во вашата машина за перење.

**⚠ ПРЕДУПРЕДУВАЊЕ!**

Користете само брендираните детергенти во машина за миене садови. Никогаш не ставајте други супстанции (на пр. детергент за миене садови, течен детергент) во садот за средство за плакнење. Тоа може да го оштети уредот.

**Кога е потребно повторно полнење на садот за средство за плакнење**

Колку често ќе го полните резервоарот ќе зависи од зачестеноста на миене садови, како и од активираниот поставка за средството за плакнење.

Показното светло за резервоарот за ниско ниво на средство за плакнење (  ) ќе се вклучи кога е потребно повторно полнење на средството за плакнење. Не преполнувајте го резервоарот за средство за плакнење.

### Улогата на детергентот

Хемиските состојки во детергентот се неопходни за отстранување, распарчување и исфрлање на сите видови нечистотија од машината за миење садови. Повеќето детергенти од комерцијална класа се погодни за оваа намена.



### ПРЕДУПРЕДУВАЊЕ!

#### Правилна употреба на детергент

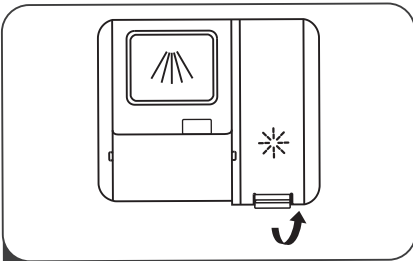
Користете само детергенти специјално направени за машини за миење садови. Чувајте ги детергентите за да останат свежи и суви. Не додавајте детергенти во прав во дозерот за детергент додека не сте подготвени да ја вклучите машината за миење садови.



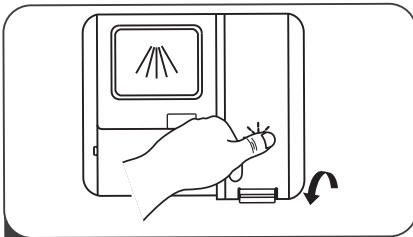
#### Детергентот за миење садови е корозивен!

Чувајте го детергентот за миење садови подалеку од дофат на деца.

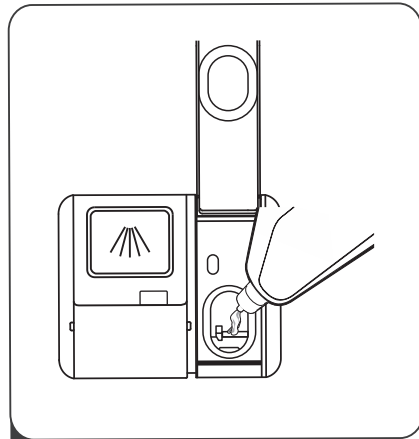
## Полнење на резервоарот за средство за плакнење



- 1 Отстранете го капачето на резервоарот за средство за плакнење со подигање на рамката



- 3 По постапката, затворете го капакот.



- 2 Истурете го средството за плакнење во резервоарот, внимавајќи да не го преполните.

### Прилагодување на резервоарот за средство за плакнење

Со цел да се постигне подобар ефект при сушењето и со ограничена употреба на средство за плакнење, машината за миење садови е дизајнирана да овозможи прилагодување на потрошувачката во зависност од потребите на корисникот.

Следете ги следните чекори.

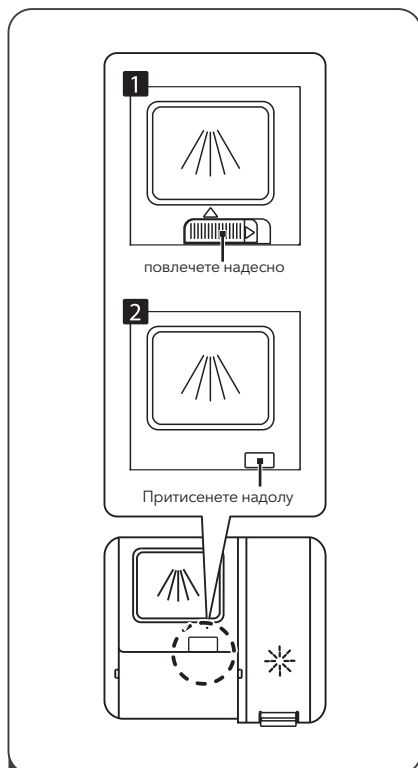
- Отворете ја вратата. Вклучете го уредот.
- Во рок од 60 секунди откако ќе го направите чекор 1, притиснете го копчето за режим на брзо перење и држете го повеќе од 5 секунди, а потоа притиснете го копчето за одложен почеток за да пристапите до опциите за поставки; индикаторот за средство за плакнење ќе трепка на фреквенција од 1 Hz.
- Притиснете го копчето за брзо перење за да ја изберете соодветната поставка, според вашите навики за миење садови. Поставките ќе се променат по следниот редослед: D1->D2->D3->D4->D5->D1. Колку е поголем бројот, толку повеќе средство за плакнење користи машината за миење садови.
- Притиснете го копчето за вклучување за да го завршите процесот на поставување.

## Ниво на средство за плакнење

## Клучна позиција за избор на програма

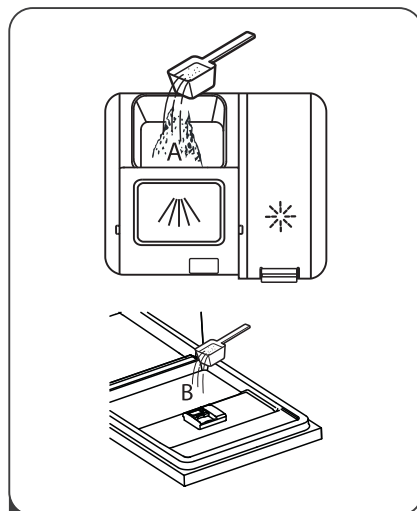
D1	D1-> Светлото на режимот за брзо перење е вклучено
D2	D2-> Запалено светло за режим од 90 минути
D3	D3-> Светло на режимот за брзо перење вклучено, 90 мин
D4	D4-> Светлото за ЕКО режим е вклучено
D5	D5-> Брзо перење, вклучено светло за ЕКО (еколошки) режим

## ПОЛНЕЊЕ НА САДОТ ЗА ДЕТЕРГЕНТ

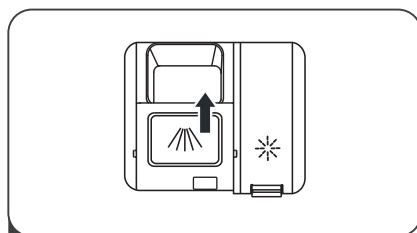


1 Изберете го методот на отворање во зависност од вистинскиот уред.

1. Отворете го капакот со лизгање на бравата за ослободување.
2. Отворете го капакот со лизгање на бравата за ослободување.



2 Додајте детергент во поголемиот отвор (A) за главниот циклус на перење. За да постигнете подобри резултати при миење, особено ако имате екстремно валкани садови, иступете мала количина детергент на вратата. Оваа дополнителна количина на детергент ќе се активира за време на фазата на предперење.



3 Затворете го капакот лизгајќи го напред и потоа притискајќи го.

### ЗАБЕЛЕШКА

- Имајте на ум дека поставките може да се разликуваат во зависност од степенот на загаденоста на водата.
- Следете ги препораките на производителот наведени на пакувањето на детергентот.

# ПРОГРАМИРАЊЕ НА МАШИНАТА ЗА МИЕЊЕ НА САДОВИ

## Табела за циклус на перење

Табелата подолу ги прикажува најсоодветните програми според степенот на остатоци од храна на садовите и потребната количина на детергент. Во продолжение се претставени различни податоци поврзани со програмите. Вредностите на потрошувачката и времетраењето на програмата се приближни, освен за програмата ЕКО (Еколошка).

Ознаката  представува потреба за додавање средство за плакнење во садот за средство за плакнење.

Program	Опис на циклусот	Детергент перење	Време циклус (min)	Energy (Kwh)	Вода (L)	Средство за плакнење
 Интензивно	Предперење (50°C)					
	Перење (65°C)	4/13 g	205	1.378	15.3	
	Плакнење					
	Плакнење (65°C)	1 ili 2 парчиња				
Сушење						
ECO (*EN 60436)	Перење (45°C)		235	0.704	9.0	
	Плакнење	17 g				
	Плакнење (55°C)					
	Сушење					
 90 Min	Перење (60°C)	17 g	90	1.234	10.2	
	Плакнење					
	Плакнење (65°C)	1 парче				
	Сушење					
Брзо	Перење (50°C)		30	0.611	10.0	
	Плакнење	12 g				
	Плакнење (45°C)					

### ЗАБЕЛЕШКА

### ECO (\*EN 60436)

ЕКО Програмата (Еколошка) е погодна за миење нормално валкани садови што (\*EN60436) е најефикасната програма за оваа употреба во однос на комбинираната потрошувачка на енергија и вода и се користи за проценка на усогласеноста со законодавството на ЕУ за екодизајн.

## Штедење енергија

1. Пред плакнењето на садовите доведува до зголемена потрошувачка на вода и енергија и не се препорачува.
2. Миењето садови во машина за миење садови за домаќинство обично троши помалку енергија и вода отколку рачно миење садови, кога машината за миење садови се користи според упатствата.

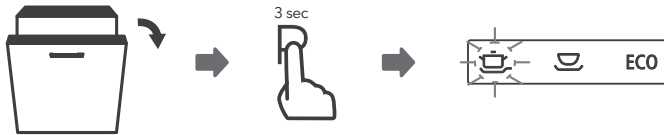
## Започнување на циклусот на миење

1. Извлечете ги долните и горните корпи, наредете ги садовите и вратете ги во машината. Се препорачува прво да ги наредите садовите на долната корпа, а потоа на горната корпа.
2. Истурете го детергентот.
3. Вметнете го приклучокот во штекерот. За информации за напојувањето, видете го делот „Карактеристики на производот“ на последната страница. Проверете дали доводот на вода е вклучен и под полн притисок.
4. Отворете ја вратата, притиснете го копчето за вклучување и светилката за вклучување/исклучување ќе светне.
5. Изберете ја програмата, по што индикаторското светло ќе се вклучи. Потоа затворете ја вратата и машината за миење садови ќе го започне својот циклус.

## Менување на програмата за време на започнатиот циклус

Циклусот на миене што е во тек може да се смени само ако не поминало многу време од стартувањето на машината. Во спротивно, машината можеби веќе го ставила детергентот во циклусот на миене и ја исцедила водата со сапуница. Во овој случај, потребно е да ја ресетирате машината и повторно да го наполните садот за детергент. За да ја ресетирате машината за миене садови, следете ги упатствата прикажани подолу:

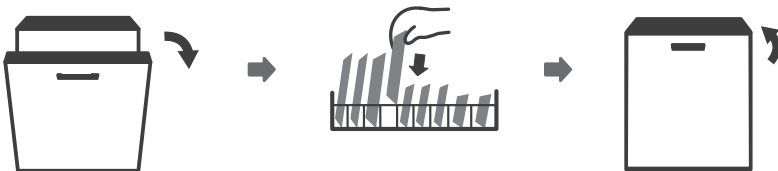
1. Отворете ја малку вратата, за да ја запрете машината за миене садови, откако ќе престане рачката за прскање да работи, можете да ја отворите вратата пошироко.
2. Притиснете кое било програмско копче и задржете повеќе од 3 секунди за да ја откажете моментално активната програма и машината ќе влезе во режим на подготвеност.
3. Можете да ја промените програмата на саканата поставка за циклус.



## Заборавивте да додадете сад?

Можете да го додадете садот што сте заборавиле да го ставите во машината во секое време пред да се отвори садот за детергент. Во тој случај, следните ги следните упатства:

1. Отворете ја малку вратата за да го запрете циклусот на миене
2. Откако рачката на прскањето ќе престане да работи, можете широко да ја отворите вратата
3. Додадете ги садовите што сте заборавиле да ги ставите во машината.
4. Затворете ја вратата.
5. Машината за миене садови повторно ќе се вклучи.



### ПРЕДУПРЕДУВАЊЕ



Опасно е да ја отворите вратата на машината за време на започнатиот циклус, бидејќи може да добиете изгореници од жешката пареа

## ОЗНАКА ЗА ГРЕШКА

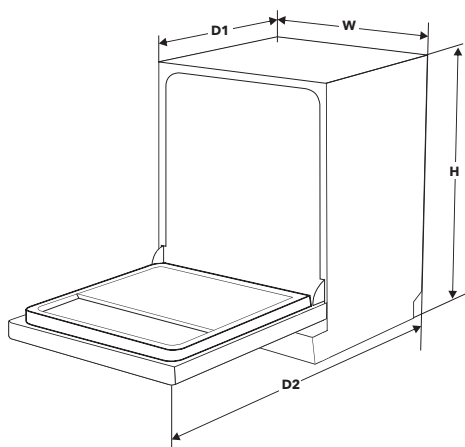
Во случај на неправилно работење, машината за миење садови ќе прикаже симболи за грешка, кои ги идентификуваат следните случаи:

Ознаки	Значење	Можни причини
Индикаторот за брзо перење трепка постојано	Продолжено време за примање вода.	Чешмите не се одвртени или доводот за вода е блокиран или притисокот на водата е пренизок .
Индикаторите за 90 минути и Забрзано перење трепкаат постојано.	Зададената температура не може да се постигне.	Неисправен грејач.
Индикаторот за миење ECO трепка постојано	Излевање.	На некој дел од машината за миење садови истекува вода.
Светлосни индикатори на Интензивно, ЕКО (Еколошки) и Брзо перење забрзано трепка	Губење на комуникацијата помеѓу главното коло и плочката на екранот.	Отворено коло или прекината врска за воспоставување комуникација.

### ПРЕДУПРЕДУВАЊЕ!

- Ако водата се прелее, исклучете го главниот вентил за вода пред да повикате сервис.
- Ако има вода на дното на машината поради прелевање или мало истекување вода, оваа вода треба да се отстрани пред повторно да ја вклучите машината за миење садови.
- Ако има код за грешка што не може да се реши, побарајте стручна помош од сервисен техничар.

## ТЕХНИЧКИ ПОДАТОЦИ



**Висина (V)** 815 mm

**Width (W)** 448 mm

**Длабочина (D1)** 550 mm (со затворена врата)

**Длабочина (D2)** 1150 mm (со врата отворена по агол од 90°)

## Листа со информации за производот

Име на добавувачот или трговска марка: Tesla

Адреса на добавувачот <sup>(6)</sup>:

Код за идентификација на моделот: WDI461M

## Општи параметри на производот:

Параметар	Вредност	Параметар	Вредност	
Номинален капацитет <sup>(8)</sup> (ps)	9	Димнезии cm	Висина	82
			Ширина	45
			Длабочина	55
EEl <sup>(9)</sup>	55,9	Класа на енергетска ефикасност <sup>(9)</sup>	E <sup>(4)</sup>	
Индекс на ефикасност на чистење <sup>(9)</sup>	1,125	Индекс на ефикасност на сушење <sup>(9)</sup>	1,065	
Потрошувачка на енергија изразена во kWh [по циклус], врз основа на еко програмата, со употреба на ладна вода. Вистинската потрошувачка на енергија ќе зависи од тоа како се користи уредот.	0,704	Потрошувачка на вода изразена во литри [по циклус], врз основа на еко програмата. Вистинската потрошувачка на вода ќе зависи од начинот на кој се користи уредот и тврдоста на водата.	9,0	
Времетраење на програмата <sup>(9)</sup> (h:min)	3:55	Тип	Вградено	
Емисијата на бучава во воздухот <sup>(9)</sup> (dB(A) re 1 pW)	49	Класа на емисија на бучава во воздухот <sup>(9)</sup>	C <sup>(4)</sup>	
Режим „Исклучено“ (Off) (W)	0,49	Режим на подготвеност (Standby) (W)	N/A	
Одложен почеток (W) (ако е применливо)	1,00	Мрежно подготвеност (W) (ако е применливо)	N/A	

Минималниот гарантен период што го нуди добавувачот <sup>(6)</sup>:

## Дополнителни информации:

Врска што води до веб-страницата на добавувачот, каде што се достапни информациите наведени во точка 6 од Анекс II од Регулативата на Комисијата (EU) 2019/2022 <sup>(1)</sup> <sup>(6)</sup>:

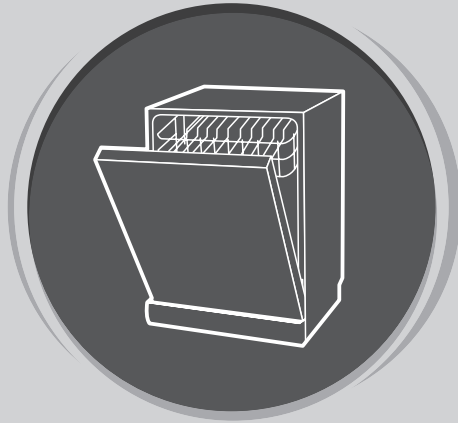
<sup>(8)</sup> for the eco program.

<sup>(9)</sup> промените во овие ставки нема да се сметаат за релевантни за целите на став 4 од член 4 од Регулативата (EU) 2017/1369.

<sup>(4)</sup> доколку комплетната содржина на ова поле автоматски се генерира во базата на податоци за производите, добавувачот нема да ги внесе споменатите податоци.

<sup>(1)</sup> Регулатива на Комисијата (EU) 2019/2022 од 1 октомври 2019 година, која ги утврдува барањата во однос на еколошкиот дизајн на машините за миене садови во домаќинството, и во согласност со Директивата 2009/125/ЕС на Европскиот парламент и на Советот, која ја менува Регулативата на Комисијата (EU) 1275/2008 и ја укинува Регулативата (EU) 1016/2010 на Комисијата (види страница 267 од овој Службен весник).





# **DISHWASHER**

## User Manual

### **PART I: GENERIC VERSION**

Please read this manual carefully before using the dishwasher and  
Keep this manual for future reference.

# INSTRUCȚIUNI DE SIGURANȚĂ

## PERICOLI

Când folosiți mașina de spălat vase, urmați precauțiile enumerate mai jos:

- Installation and repair can only be carried out by a qualified technician
- Acest aparat este destinat să fie utilizat în gospodării și în spații similare, cum ar fi:
  - bucătării personalului din magazine, birouri și alte medii de lucru;
  - case sau ferme;
  - ode către clienții din hoteluri, moteluri și alte spații de tip hotel;
  - spații de tip pensiune similare.
- Aparatul poate fi folosit de copii cu peste 8 ani și de persoane cu capacități fizice, senzoriale sau mentale reduse sau lipsă de experiență și cunoștințe, dacă li s-a oferit supraveghere sau instrucțiuni privind utilizarea aparatului într-un mod sigur și înțeleg pericolele implicate.
- Copiii nu se vor juca cu aparatul. Curățarea și întreținerea dispozitivului nu trebuie făcute de copii fără supraveghere.
- Acest aparat nu este destinat utilizării de către persoane (inclusiv copii) cu capacități fizice, senzoriale sau mentale reduse sau lipsă de experiență și cunoștințe, cu excepția cazului în care au primit o supraveghere sau instrucțiuni cu privire la utilizarea aparatului de către o persoană responsabilă pentru siguranța acestora. (Pentru IEC60335-1)
- Materialul de ambalare poate fi periculos pentru copii! Acest aparat este doar pentru uz casnic.
- This appliance is for indoor household use only.
- Pentru a vă proteja împotriva pericolului de electrocutare, nu scufundați unitatea, cablul sau mufa în apă sau alte lichide. Vă rugăm să deconectați înainte de a curăța și de a efectua întreținerea pe aparat.
- Folosiți o cârpă moale umezită cu detergent, apoi folosiți o cârpă uscată pentru a șterge din nou.

## Instrucțiuni de împământare

- Acest aparat trebuie să fie împământat. În cazul unei defecțiuni, împământarea va reduce riscul de electrocutare, oferind o cale de rezistență minimă pentru curentul electric. Acest aparat este echipat cu un conector pentru împământare.
- Mufa trebuie conectată la o priză adecvată care este instalată și împământată în conformitate cu toate codurile și ordonanțele locale.
- Conectarea necorespunzătoare a conductorului de împământare poate duce la riscul de electrocutare. Verificați cu un electrician calificat sau un reprezentant de service dacă aveți îndoieli dacă aparatul este împământat corect.
- Nu modificați ștecherul furnizat împreună cu aparatul
- Trebuie să aveți o priză adecvată de către un electrician calificat.

- Nu abuzați, așezați și nu stați pe ușa sau suportul de vase al mașinii de spălat vase.
- Nu folosiți mașina de spălat vase decât dacă toate panourile din carcasă sunt în poziție corectă.
- Deschideți ușa cu atenție dacă mașina de spălat vase funcționează, există riscul ca apa să vă stropească.
- Nu așezați obiecte grele sau stați în picioare pe ușa când este deschisă. Aparatul ar putea să se miște
- La încărcarea vaselor care trebuie spălate:
  1. Plasați obiectele ascuțite astfel încât să nu poată deteriora garnitura ușii;
  2. Avertisment: Cuțitele și alte ustensile cu puncte ascuțite trebuie să fie încărcate în coș cu punctele orientate în jos sau așezate în poziție orizontală.
- Unii detergenți pentru mașina de spălat vase sunt puternic alcalini. Pot fi extrem de periculoase dacă sunt înghițite.
- Evitați contactul cu pielea și ochii și țineți copiii departe de mașina de spălat vase atunci când ușa este deschisă.
- Verificați dacă cutia de detergent solid este goală după finalizarea ciclului de spălare.
- Nu spălați materialele din plastic decât dacă sunt marcate „Mașina de spălat vase” sau similar
- Pentru articole din plastic care nu sunt marcate, verificați recomandările producătorului.
- Folosiți doar detergenți și agenți de clătire recomandați pentru utilizare într-o mașină de spălat vase automată.
- Nu folosiți niciodată săpun, detergent pentru rufe sau detergent pentru spălarea mâinilor în mașina de spălat vase.
- Ușa nu trebuie lăsată deschisă, deoarece acest lucru ar putea crește riscul de accidentare.
- În cazul în care cablul de alimentare este deteriorat, acesta trebuie înlocuit de către producător sau aservite-ul autorizat sau de o persoană calificată pentru a evita un pericol.
- În timpul instalării, sursa de alimentare nu trebuie îndoită sau aplatizată excesiv.
- Nu schimbați controalele.
- Aparatul trebuie conectat la robinetul principal de apă folosind seturi noi de furtunuri. Seturile vechi nu trebuie reutilizate.
- Pentru a economisi energie, în modul de așteptare, aparatul se va opri automat atunci când nu există nicio funcționare timp de 15 de minute.
- Numărul maxim de locații care trebuie spălate este de 9.
- Presiunea maximă admisă a apei de intrare este de 1 MPa.
- Presiunea minimă admisă a apei de intrare este de 0,04 MPa.

## Eliminare



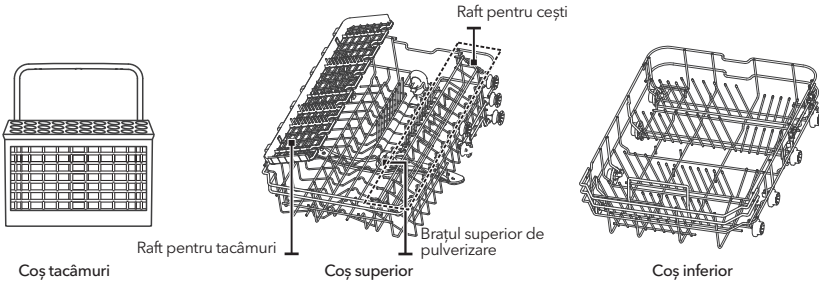
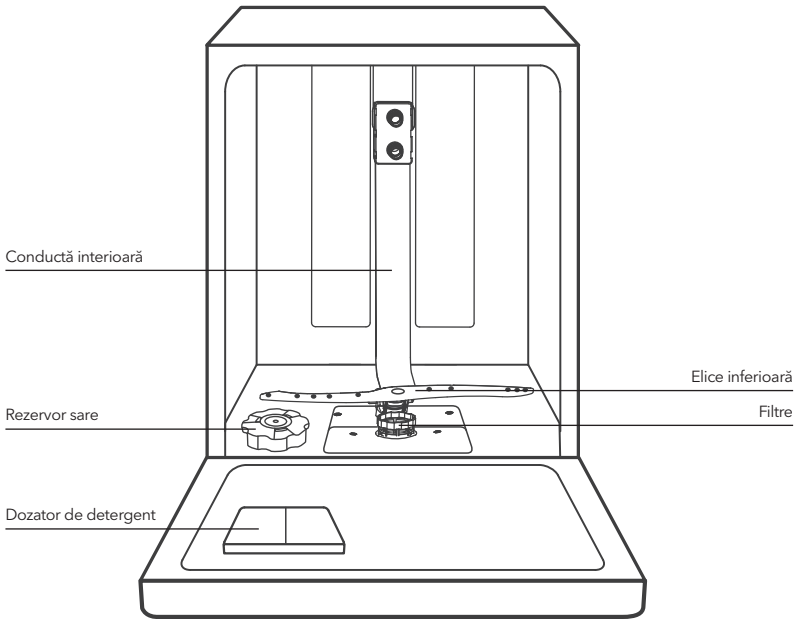
- Acest produs este conform cu Directiva DEEE a UE (2012/19/UE).

- Acest produs poartă simbolul de clasificare pentru deșeuri de echipamente electrice și electronice (DEEE). Acest produs a fost fabricat cu componente și materiale de calitate ridicată, care pot fi reutilizate și sunt potrivite pentru a fi reciclate. La sfârșitul duratei de viață a produsului, nu îl eliminați împreună cu deșeurile casnice sau alte tipuri de deșeuri. Transportați-l la un centru de colectare pentru reciclarea echipamentului electric și electronic. Vă rugăm să consultați autoritățile locale pentru a afla locația centrelor de colectare.
- Pentru informații mai detaliate despre reciclarea acestui produs, vă rugăm să contactați autoritatea locală a orașului și serviciul de eliminare a deșeurilor menajere.
- **ELIMINARE: Nu aruncați acest produs ca deșeuri municipale nesortate. Este necesară colectarea acestor deșeuri separat pentru tratarea specială.**

## PREZENTAREA PRODUSULUI

### ! IMPORTANT

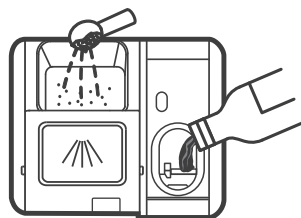
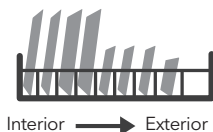
Pentru a obține cele mai bune performanțe de la mașina de spălat vase, citiți toate instrucțiunile de utilizare înainte de a o utiliza pentru prima dată.



Imaginile sunt doar pentru referință; modelele pot fi diferite.

# UTILIZAREA MAȘINII DE SPĂLAT VASE

Înainte de utilizarea mașinii de spălat vase:



1. Setați dozatorul pentru detergentul de clătire
2. dăugați sare în rezervorul de sare

3. Încărcați coșurile cu vase
4. Umpleți dozatorul de detergent

## NOTĂ

Vă rugăm să verificați secțiunea 1 „Detergent de clătire: din PARTEA II: Versiune specială, Dacă doriți să setați detergentul de dedurizare.

## Încărcarea sării în rezervor

### NOTĂ

Dacă modelul dvs. nu are niciun compartiment pentru sare, puteți săriți această secțiune.

Utilizați întotdeauna sare destinată utilizării mașinii de spălat vase.

Recipientul de sare este situat sub coșul inferior și trebuie umplut așa cum este explicat în următoarele:

### PERICOLI!

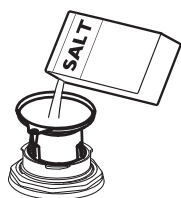
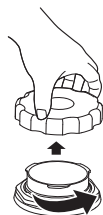
#### • Folosiți numai sare special concepută pentru utilizarea mașinilor de spălat vase!

Orice alt tip de sare care nu este conceput special pentru utilizarea mașinii de spălat vase, în special sarea de masă, va deteriora compartimentul de dedurizare a apei. În cazul daunelor cauzate de utilizarea sării necorespunzătoare, producătorul nu oferă nicio garanție și nici nu este responsabil pentru daunele cauzate.

#### • Umpleți cu sare numai înainte de a rula un ciclu.

Acest lucru va împiedica orice parte din sare sau apă sărată, care ar putea fi vărsată, rămânând pe fundul mașinii pentru orice perioadă de timp, care poate provoca coroziune.

Vă rugăm să urmați pașii de mai jos pentru adăugarea de sare pentru mașina de spălat vase:



1. Scoateți coșul inferior și deșurubați capacul rezervorului.
2. Introduceți capătul pâlniei (furnizat) în orificiu și turnați aproximativ 1,5 kg de sare pentru mașina de spălat vase.
3. Umpleți recipientul cu sare până la limita maximă cu apă, este normal ca o cantitate mică de apă să iasă din recipientul de sare.
4. După umplerea recipientului, înșurubați capacul înapoi.

5. LED-ul de avertizare pentru sare va înceta să clipească după ce recipientul cu sare a fost umplut.
6. Imediat după umplerea sării în recipientul cu sare, trebuie început un program de spălare (Vă recomandăm să folosiți un program scurt). În caz contrar, sistemul de filtrare, pompa sau alte părți importante ale mașinii pot fi deteriorate de apă sărată. Acest lucru este nul la garanție.

## NOTĂ

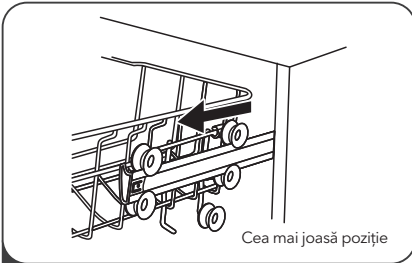
- Recipientul de sare trebuie reumplut numai atunci când se aprinde indicatorul de sare (S) din panoul de control. În funcție de cât de bine se dizolvă sarea, LED-ul de avertizare al sării poate fi aprins chiar dacă recipientul de sare este umplut.  
Dacă nu există nicio lumină de avertizare pentru sare în panoul de control (pentru unele modele), puteți estima când să completați sarea în rezervor prin ciclurile pe care le-a desfășurat mașina de spălat vase.
- Dacă s-a vărsat sare, executați un program clătire sau rapid pentru a se elimina.

## Sfaturi pentru încărcarea coșului

### Reglarea coșului superior

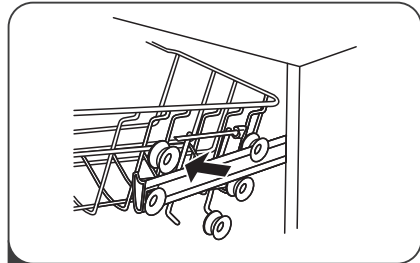
#### Tip 1:

Înălțimea coșului superior poate fi ajustată cu ușurință pentru a pune vase mai înalte, fie în coșul superior sau inferior. Pentru a regla înălțimea coșului superior, urmați acești pași:

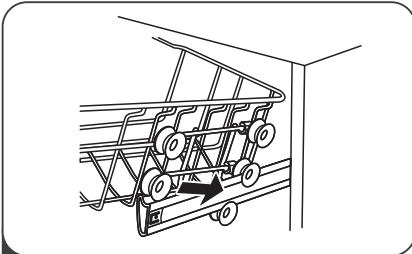


Cea mai joasă poziție

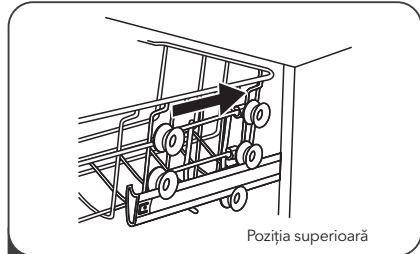
1 Trageți coșul superior.



2 Scoateți coșul superior.



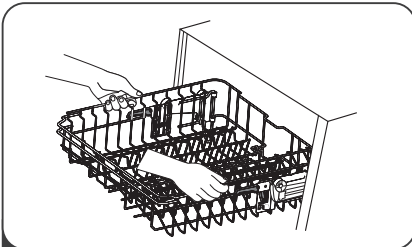
3 Re-atașați coșul superior pe roțile superioare sau inferioare.



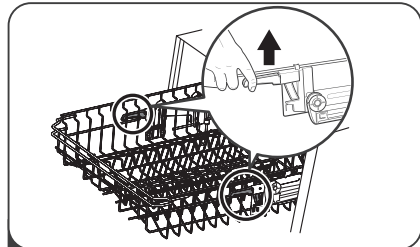
Poziția superioară

4 Coș superior

#### Tip 2:



1 Pentru a ridica coșul în poziția superioară, ridicați coșul până când ambele părți sunt la aceeași înălțime. Coșul se va fixa.



2 Pentru a coborî coșul, apăsați în jos pe mâner și eliberați.

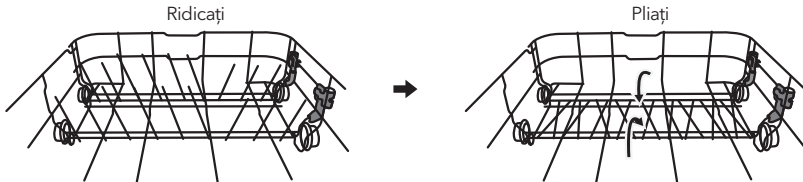
### Plierea suportului de pahare/căni

Pentru a face loc obiectelor mai înalte din coșul mașinii de spălat vase, ridicați suportul pentru pahare în sus. Puteți apoi apleca paharele înalte. Le puteți elimina, de asemenea, atunci când nu sunt necesare pentru utilizare.



### Plierea suportului de vase

Vârfulurile sunt utilizate pentru susținerea farfuriilor. Pot fi pliate pentru a face mai mult loc obiectelor mari.



## ÎNTREȚINERE ȘI CURĂȚARE

### Îngrijire externă

#### Ușa și garnitura ușii

Curățați garnitura ușii în mod regulat cu o cârpă moale umedă pentru a îndepărta depozitele de alimente. Atunci când mașina de spălat vase este încărcată, reziduurile de mâncare și băutură pot picura pe părțile laterale ale ușii mașinii de spălat vase. Aceste suprafețe se află în afara dulapului de spălare și nu sunt accesate de apă de la brațele de pulverizare. Orice depuneri trebuie șterse înainte de închiderea ușii.

#### Panoul de Control

Dacă este necesară curățarea, panoul de control trebuie șters DOAR cu o cârpă moale umedă.

#### PERICOL!

- Pentru a evita pătrunderea apei în încălțoarea ușii și a componentelor electrice, nu folosiți un produs de curățare prin pulverizare de niciun fel.
- Nu folosiți niciodată produse de curățare abrazive sau plăcuțe de curățare pe suprafețele exterioare, deoarece acestea pot zgâria finisajul. Unele prosoape de hârtie pot, de asemenea, să zgârie sau să lase urme pe această suprafață.

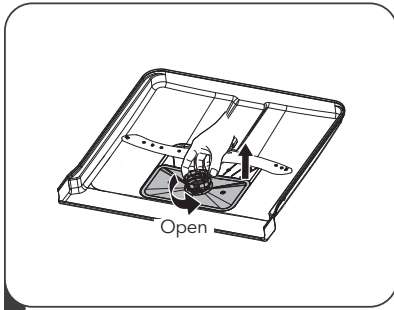
### Îngrijire internă

#### Sistem de filtrare

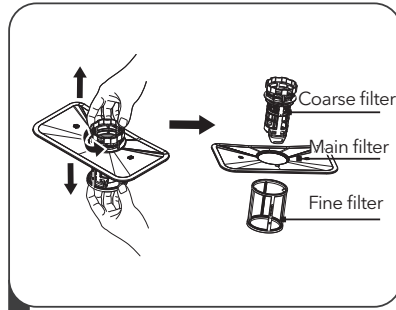
Sistemul de filtrare de la baza mașinii de spălat reține resturile grosiere din ciclul de spălare, inclusiv obiecte străine, cum ar fi scobitori sau cioburi. Resturile grosiere colectate pot cauza înfundarea filtrelor. Verificați în mod regulat starea filtrelor, îndepărtați cu atenție obiectele străine și curățați cu apă părțile sistemului de filtrare, dacă este necesar. Urmați pașii de mai jos pentru a curăța filtrul.

#### NOTĂ

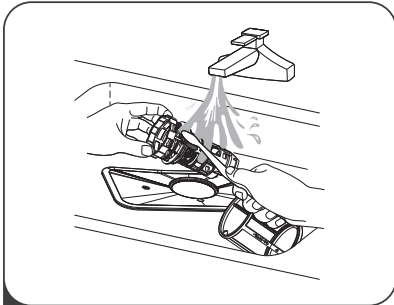
Imaginile sunt doar pentru referință; modelele pot fi diferite.



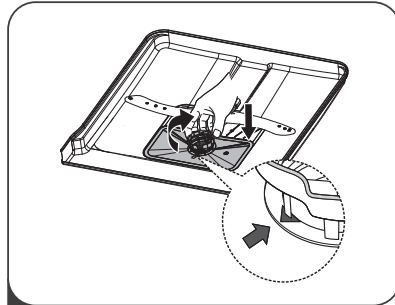
- 1** Țineți filtrul grosier și rotiți-l în sens invers acelor de ceasornic pentru a debloca filtrul. Ridicați filtrul în sus și în afara mașinii de spălat vase.



- 2** Filtrul fin poate fi extras de pe partea inferioară a ansamblului filtrului. Filtrul grosier poate fi detașat de filtrul principal prin strângerea ușoară a filetelor în partea de sus și scoaterea acestuia.



- 3** Resturile alimentare mai mari pot fi curățate prin clătirea filtrului sub jet de apă. Pentru o curățare mai minuțioasă, utilizați o perie moale de curățare.



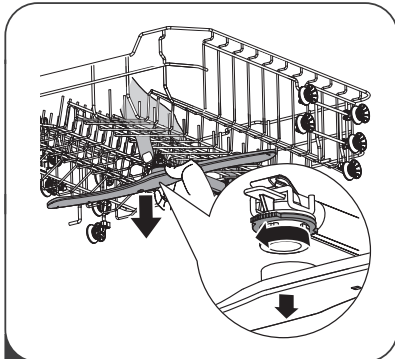
- 4** Reasamblați filtrele în ordinea inversă dezambalării, înlocuiți inserția de filtru și rotiți în sens orar până la săgeata închisă.

### **⚠ PERICOL!**

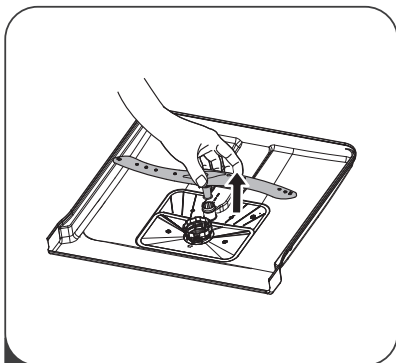
- Nu strângeți prea mult filtrele. Puneți filtrele înapoi în secvență în siguranță, în caz contrar, resturile grosiere ar putea intra în sistem și pot provoca un blocaj.
- Niciodată nu folosiți mașina de spălat vase fără filtre. Înlocuirea necorespunzătoare a filtrului poate reduce nivelul de performanță al aparatului și poate deteriora vasele și ustensilele.

### **Elice**

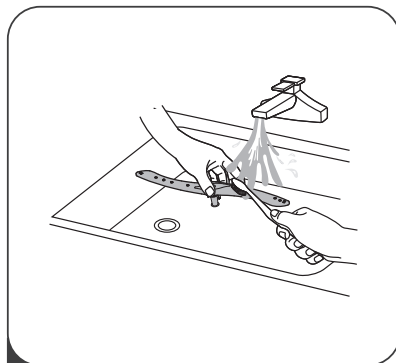
Este necesar să curățați regulat elicele pentru jeturi și rulmenți pentru elice. Pentru a curăța elicele, urmați instrucțiunile:



- 1** Pentru a îndepărta elicea superioară, țineți piulița în centru și rotiți elica în sens invers acelor de ceasornic pentru a o scoate.



**2** Pentru a scoate elicea inferioară, scoateți elicea în sus.



**3** Spălați elicele în apă cu săpun, caldă folosind o perie moale pentru a curăța rezidurile. Înlocuiți-le după clătirea completă.

## Îngrijirea mașinii de spălat vase

### Măsuri împotriva înghețului

Vă rugăm să luați măsuri de protecție împotriva înghețului pentru mașina de spălat vase pe timp de iarnă. După fiecare ciclu de spălare, vă rugăm să acționați după cum urmează:

1. Opriti energia electrică la mașina de spălat vase de la sursa de alimentare.
2. Opriti alimentarea cu apă și deconectați conducta de intrare a apei de la supapa de apă.
3. Scurgeți apa de la conducta de admisie și de la robinetul de apă. (Folosiți o tigeaie pentru a aduna apa)
4. Reconectați conducta de admisie a apei la supapa de apă.
5. Îndepărtați filtrul din partea de jos a mașinii și folosiți un burete pentru a scoate apă.

### După fiecare spălare

După fiecare spălare, opriti alimentarea cu apă a mașinii și lăsați ușa ușor deschisă astfel încât umiditatea și mirosurile să nu fie blocate în interior.

### Scoateți ștecherul

Înainte de a curăța sau de a efectua întreținerea, scoateți întotdeauna ștecherul din priză.

### Fără solvenți sau curățare abrazivă

Pentru a curăța părțile exterioare și de cauciuc ale mașinii de spălat vase, nu utilizați solvenți sau produse de curățare abrazive. Folosiți numai o cârpă cu apă caldă și detergent.

Pentru a îndepărta petele de pe suprafața interiorului, folosiți o cârpă umezită cu apă și puțină oțet sau un produs de curățare realizat special pentru mașinile de spălat vase.

### Când nu este folosită mașina pentru o lungă perioadă de timp

Este recomandat să efectuați un ciclu de spălare cu mașina de spălat vase goală și apoi scoateți ștecherul din priză, opriti alimentarea cu apă și lăsați ușa aparatului ușor deschis. Acest lucru va ajuta sigiliile ușii să se păstreze mai mult și va împiedica formarea mirosurilor în interiorul aparatului.

### Mutarea mașinii de spălat vase

Dacă mașina de spălat vase trebuie mutată, încercați să o mențineți în poziție verticală. Dacă este absolut necesar, poate fi poziționată pe spate.

### Sigilii

Unul dintre factorii care determină formarea mirosurilor în mașina de spălat vase sunt alimentele care rămân prinse în sigilii. Curățarea periodică cu un burete umed va împiedica acest lucru.



# INSTRUCȚIUNI DE INSTALARE

## **⚠ PERICOL!**



### **Pericol de șoc electric**

Deconectați energia electrică înainte de a instala mașina de spălat vase. Nerespectarea acestui lucru poate duce la moarte sau șoc electric.

## **⚠ AVERTIZARE!**

Instalarea conductelor și a echipamentelor electrice ar trebui să fie făcută de persoane profesioniste.

## Alimentarea la curent electric

## **⚠ PERICOL!**

Pentru siguranță personală:

- Nu folosiți un prelungitor
- În niciun caz nu tăiați și nu scoateți conexiunea la împământare de pe cablul de alimentare.

### **Cerințe electrice**

Vă rugăm să consultați eticheta de rating pentru a cunoaște tensiunea de rating și conectați mașina de spălat vase la sursa de alimentare corespunzătoare. Folosiți siguranța necesară 10A / 13A / 16A, siguranța cu întârziere sau întrerupătorul de circuit recomandat și asigurați un circuit separat care servește numai acestui aparat.

### **Conexiunea electrică**

Asigurați-vă că tensiunea și frecvența puterii corespund cu cele de pe placa nominală. Introduceți numai ștecherul într-o priză electrică care este împământată corect. Dacă priza electrică la care trebuie conectat aparatul nu este adecvată pentru priză, înlocuiți priza, mai degrabă decât să folosiți un adaptor sau altele asemenea, deoarece acestea ar putea provoca supraîncălzire și arsuri.

**⚠ Asigurați-vă că există o împământare adecvată înainte de utilizare.**

## Alimentarea cu apă și Scurgerea

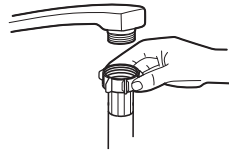
### **Cold water connection**

Conectați furtunul de alimentare cu apă rece la un conector filetat de 3/4 (inch) și asigurați-vă că acesta este fixat bine.

Dacă conductele de apă sunt noi sau nu au fost utilizate pentru o perioadă lungă de timp, lăsați apa să curgă pentru a vă asigura că apa este limpede. Această măsură de precauție este necesară pentru a evita riscul blocării orificiului de intrare a apei și a deteriorării aparatului.

### **Despre furtunul de alimentare cu siguranță**

Furtunul de alimentare cu siguranță este format din pereți dubli. Sistemul furtunului garantează intervenția sa prin blocarea fluxului de apă în cazul rușerii furtunului de alimentare și când spațiul de aer dintre furtunul de alimentare în sine și furtunul ondulat exterior este plin de apă.



Furtun de alimentare  
clasic



Furtun de alimentare  
de siguranță

## **⚠ PERICOL!**

Un furtun care se atașează la robinet poate exploda dacă este instalat pe aceeași linie de apă cu mașina de spălat vase. Dacă chiuveta dvs. are unul, se recomandă ca furtunul să fie deconectat și orificiul să fie închis.

**Cum să conectați furtunul de alimentare cu siguranță**

1. Trageți furtunele de siguranță din compartimentul de depozitare situat în spatele mașinii de spălat vase.
2. Strângeți șuruburile furtunului de alimentare de siguranță la robinet cu filet de 3/4 inch.
3. Porniți complet apa înainte de a porni mașina de spălat vase.

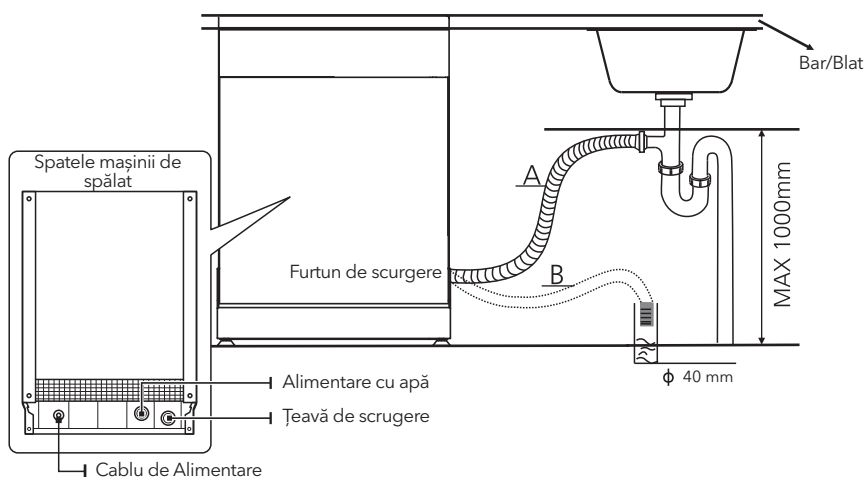
**Cum să deconectați furtunul de alimentare cu siguranță**

1. Opriți apa.
2. Deșurubați furtunul de alimentare de siguranță de la robinet.

## Conectarea Furtunului de scurgere

Introduceți furtunul de scurgere într-o conductă de scurgere cu un diametru de minim de 4 cm sau lăsați-l să curgă în chiuvetă, asigurându-vă că evitați îndoirea sau sertizarea acestuia. Înălțimea conductei de scurgere trebuie să fie mai mică de 1000mm. Capătul liber al furtunului nu trebuie scufundat în apă pentru a evita curgerea înapoi.

**⚠ Vă rugăm să fixați sigur furtunul de evacuare în poziția A sau în poziția B**

**Cum se scurge excesul de apă din furtun**

Dacă conexiunea la conducta de scurgere este poziționată mai sus de 1000 mm, excesul de apă poate rămâne în furtunul de scurgere. Va fi necesar să scurgeți excesul de apă din furtun într-un vas sau recipient adecvat care este ținut în exterior și mai jos decât chiuveta.

**Scurgerea apei**

Conectați furtunul de scurgere a apei. Furtunul de golire trebuie montat corect pentru a evita scurgeri de apă. Asigurați-vă că furtunul de scurgere a apei nu este zgâriat sau stropit.

**Furtun extensibil**

Dacă aveți nevoie de o extensie a furtunului de scurgere, asigurați-vă că folosiți un furtun similar. Trebuie să nu depășească 4 metri; altfel, efectul de curățare al mașinii de spălat vase ar putea fi redus.

**Conexiune cu sifon**

Conexiunea de deșeuri trebuie să fie la o înălțime mai mică de 1000 mm (maxim) de la partea de jos a mașinii de spălat vase.

## Poziționarea Mașinii de Spălat

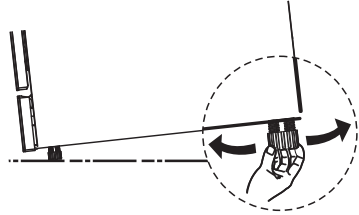
Poziționează aparatul în locația dorită. Spatele trebuie să se sprijine de peretele din spatele său, iar părțile laterale, de-a lungul dulapurilor sau pereților adiacenți. Mașina de spălat vase este echipată cu furtunuri de alimentare cu apă și de scurgere care pot fi poziționate fie pe partea dreaptă, fie pe partea stângă, pentru a facilita instalarea corectă.

### Stabilizarea mașinii de spălat

Odată ce aparatul este poziționat pentru nivelare, înălțimea a mașinii de spălat vase poate fi modificată prin reglarea înșurubarea nivelului picioarelor.

#### NOTĂ

Se aplică numai la mașina de spălat independentă.

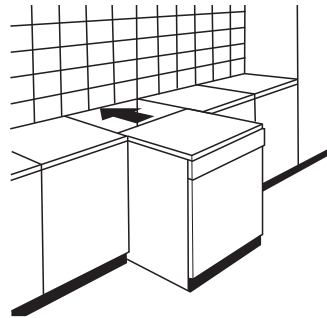


## Instalare în picioare

### Montarea între dulapurile existente

Înălțimea mașinii de spălat vase, 845 mm, a fost proiectat pentru a permite montarea mașinii între dulapurile existente de aceeași înălțime în bucătării moderne deja montate. Picioarele pot fi reglate astfel încât se atingă înălțimea corectă.

Partea laminată a mașinii nu necesită orice îngrijire specială, deoarece este rezistent la căldură, antigrafiu și rezistență la pete.



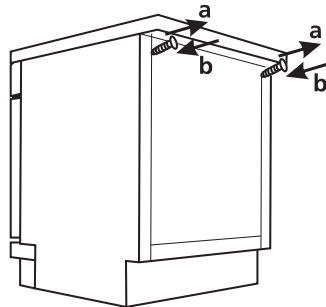
### Sub blatul de lucru existent

(când se montează sub un blat de lucru)

În cele mai multe bucătării moderne, există un singur blat de lucru sub care sunt montate dulapuri și aparate electrice. În acest caz, îndepărtați partea de lucru a mașinii de spălat vase deșurubând șuruburile sub mar ginea din spate a părții superioare (a).

#### AVERTIZARE!

După scoaterea blatului de lucru, șuruburile TREBUIE SĂ se înșurubeze din nou sub marginea din spate a vârfului (b). Înălțimea va fi apoi redusă la 815 mm, așa cum este stabilit de Regulamentul internațional (ISO), iar mașina de spălat vase se va potrivește perfect sub blatul de lucru al bucătăriei.

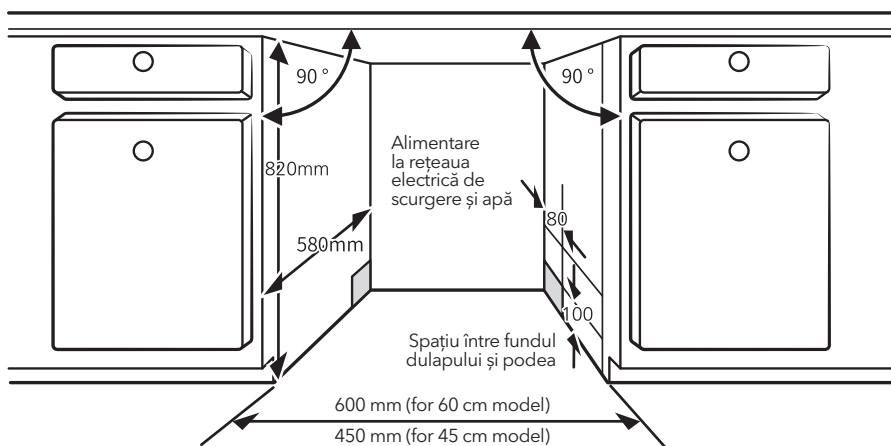


## Instalare încorporată (pentru modelul încorporat)

### Pașul 1. Selectarea celei mai bune locații pentru mașina de spălat vase

Poziția de instalare a mașinii de spălat vase ar trebui să fie aproape de furtunul de admisie și de scurgere existent și de priza de curent. Ilustrații despre dimensiunile dulapului și poziția de instalare a mașinii de spălat vase.

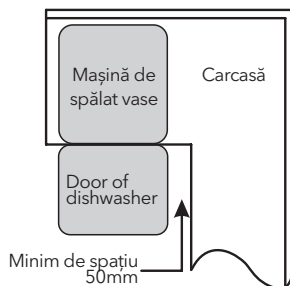
1. Less than 5 mm between the top of dishwasher and cabinet and the outer door aligned to cabinet.



2. Dacă mașina de spălat vase este instalată în colțul dulapului, ar trebui să existe spațiu la deschiderea ușii.

### NOTĂ

În funcție de locul unde se află priza electrică, poate fi necesar să faceți o gaură în partea opusă a dulapului.



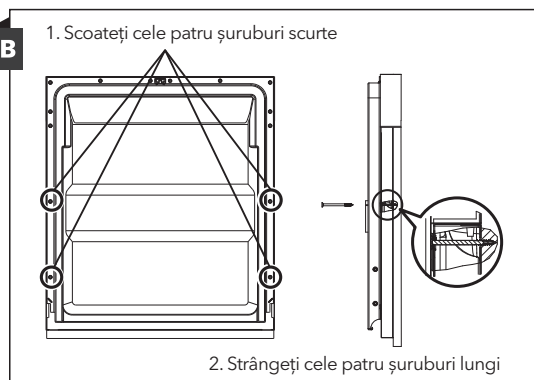
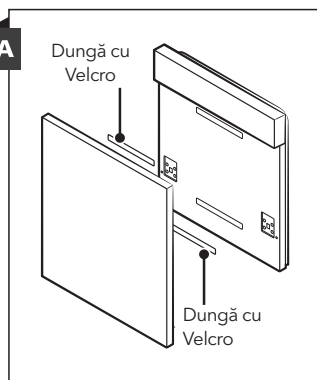
## Pasul 2. Dimensiunile și instalarea panoului estetic

### NOTĂ

Panoul estetic din lemn poate fi procesat conform desenelor de instalare.

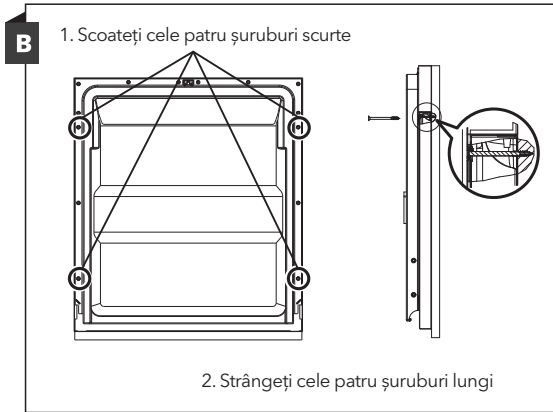
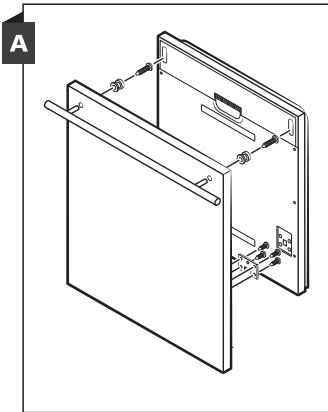
### Model semi-integrat

Separăți banda de velcro A și banda de velcro B și atașați banda de velcro A pe partea interioară a panoului estetic. Atașați banda de velcro simțită B pe ușa exterioară a mașinii de spălat vase (a se vedea figura A). După poziționarea panoului, fixați panoul pe ușa exterioară cu șuruburi (Vezi figura B).



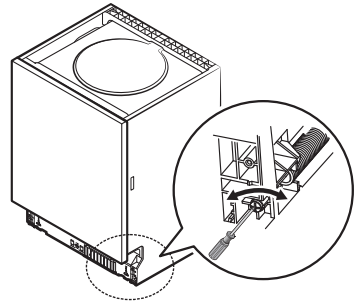
### Model complet incorporabil

Montați cârligul pe panoul estetic din lemn și puneți cârligul în fanta ușii exterioare a mașinii de spălat vase (a se vedea figura A). După poziționarea panoului, fixați panoul pe ușa exterioară cu șuruburi (Vezi figura B).



### Pasul 3. Reglarea tensiunii ușii

1. Arcurile ușilor sunt reglate la fabrică la tensiunea corespunzătoare pentru ușa exterioară. Dacă este instalat un panou estetic din lemn, va trebui să reglați tensiunea arcului ușii. Rotiți șurubul de reglare pentru a conduce reglarea la încordarea sau relaxarea cablului de oțel.
2. Tensiunea arcului ușii este corectă atunci când ușa rămâne orizontală în poziția complet deschisă, dar se ridică cu ușoara ridicare a degetului.

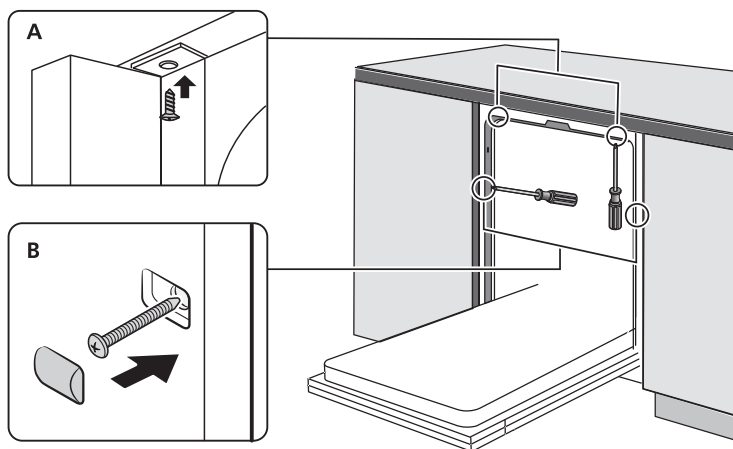


### Pasul 4. Etapele de instalare a mașinii de spălat vase

#### NOTĂ

Vă rugăm să consultați pașii specifici de instalare din desenele de instalare.

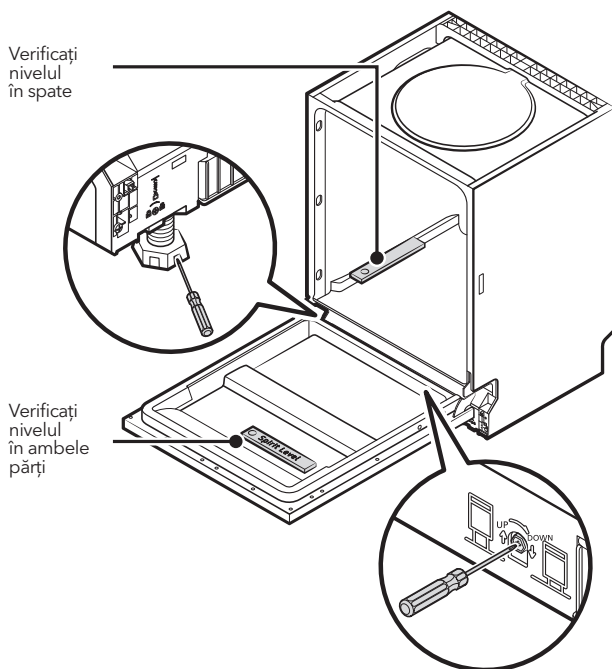
1. Fixați banda de condens sub suprafața de lucru a dulapului. Vă rugăm să vă asigurați că banda de condensare este aliniată la marginea suprafeței de lucru. (Pasul 2)
2. Conectați furtunul de intrare la alimentarea cu apă rece.
3. Conectați furtunul de scurgere.
4. Conectați cablul de alimentare.
5. Așezați mașina de spălat vase în dulap.
6. Nivelați mașina de spălat vase. Piciorul din spate poate fi reglat din partea din față a mașinii de spălat vase prin rotirea șurubului Philips în mijlocul bazei mașinii de spălat vase folosind un șurubelniță Philips. Pentru a regla picioarele din față, utilizați o șurubelniță dreaptă și rotiți picioarele din față până când mașina de spălat vase este stabilizată. (Pasul 5 la Pasul 6)
7. Instalați ușa mobilierului pe ușa exterioară a mașinii de spălat vase. (Pasul 7 - Pasul 10)
8. Reglați tensiunea arcurilor ușilor folosind o șurubelniță Philips care se rotește în sensul acelor de ceasornic pentru a strânge arcurile ușii stânga și dreapta. Nerespectarea acestui lucru poate cauza deteriorarea mașinii de spălat vase. (Pasul 11)
9. Mașina de spălat vase trebuie să fie asigurată în locul poziționării. Există două moduri de a face acest lucru:
  - A. Suprafață de lucru normală: Puneți cârligul de instalare în fanta planului lateral și fixați-l pe suprafața de lucru cu șuruburile.
  - B. Blatul de marmură sau granit: Fixați latura cu șuruburi.



### Pasul 5. Stabilizarea mașinii de spălat vase

Mașina de spălat vase trebuie să fie stabilizată pentru funcționarea corectă a suportului de vase și performanțe de spălare corecte.

1. Verificați pe ușă și șina în interior, așa cum este indicat pentru a verifica dacă mașina de spălat vase este la nivel.
2. Nivelati mașina de spălat vase reglând individual cele trei picioare de nivelare
3. Când stabiliți mașina de spălat vase, vă rugăm să acordați atenție.



#### NOTĂ

Înălțimea maximă de reglare a picioarelor este de 50 mm.

# SFATURI DE DIAGNOSTICARE

## Înainte de a apela la service-ul autorizat

Revizuirea graficelor din paginile următoare vă poate salva să apelați la service.

Problemă	Cauză Posibilă	Soluție
Mașina de spălat vase nu pornește	Siguranță arsă sau sau întrerupătorul nu s-a declanșat.	Înlocuiți siguranța sau resetați întrerupătorul. Îndepărtați orice alte aparate care au același circuit cu mașina de spălat vase.
	Alimentarea nu este pornită.	Asigurați-vă că mașina de spălat vase este pornită și ușa este închisă. Asigurați-vă că cablul de alimentare este bine conectat la priza de perete.
	Presiunea apei este scăzută.	Verificați dacă alimentarea cu apă este corectă și că apa este pornită.
	Ușa mașinii de spălat vase nu este bine închisă.	Asigurați-vă că închideți ușa în mod corespunzător.
Apa care nu este pompată din mașina de spălat vase	Furtun de scurgere răsucit sau blocat.	Verificați furtunul de scurgere.
	Filtrul înfundat.	Verificați sistemul de filtrare.
	Chiuveța de bucătărie înfundată.	Verificați chiuveța de bucătărie pentru a vă asigura că se scurge bine. Dacă problema e chiuveța de bucătărie care nu se scurge, est posibil să aveți nevoie de un instalator, ma degrabă decât de un serviciu pentru mașin spălat vase.
Spumă în interior	Detergent greșit.	Folosiți doar detergent special pentru mașina de spălat vase pentru a evita crearea de spumă în interior. Dacă se întâmplă acest lucru, deschideți mașina de spălat și lăsați spuma să se evaporeze. Adăugați 1 litru de apă rece la fundul mașinii de spălat vase, apoi selectați orice ciclu. Inițial, mașina de spălat vase va scurge apa, Deschideți ușa după ce etapa de scurgere este completă și verificați dacă spuma a dispărut. Repetați dacă e necesar
	Agent de clătire vărsat.	Ștergeți întotdeauna scurgerile lichidului de clătire.
Interiorul cuvei pătat	Este posibil să fi fost folosit detergent cu colorant	Ștergeți întotdeauna scurgerile de agent de clătire imediat.
Pete albe pe suprafața interioară	Apă dură.	Pentru a curăța interiorul, utilizați o cârpă moale umedă cu detergent pentru mașina de spălat vase și purtați mănuși de cauciuc. Nu folosiți niciodată alt produs de curățare decât detergentul pentru mașina de spălat vase, în caz contrar, acesta poate cauza spumă.
Pe tacâmuri există pete de rugină	Articolele afectate nu sunt rezistente la coroziune.	Evitați spălarea obiectelor care nu rezistă în mașina de spălat.
	Un program nu a fost rulat după ce sa adăugat sare de mașină de spălat vase. Urmele de sare au ajuns în ciclul de spălare.	Rulați întotdeauna un program de spălare fără veselă după adăugarea de sare. Nu selectați funcția Turbo (dacă există).
	Capacul de la lichidul de clătire este liber.	Verificați capacul de la lichidul de clătire.

Problemă	Cauză Posibilă	Soluție
Zgomot puternic în mașina de spălat vase	O elice se lovește de un produs din mașină.	Întrerupeți programul și rearanjați elementele care blochează elicea.
Zgomot ciudat în mașina de spălat vase	Articole de vesela sunt libere în mașina de spălat vase.	Întrerupeți programul și rearanjați articolele de veselă.
Zgomot în conductele de apă	Aceasta poate fi cauzată de instalarea propriu-zisă sau de secțiunea transversală a conductelor.	Aceasta nu are nicio influență asupra funcției de spălat vase. Dacă aveți îndoieli, contactați un instalator.
Vasele nu sunt curate	Vasele nu au fost încărcate corect.	Consultați notele din „Încărcarea și descărcarea mașinii de spălat vase”.
	Programul nu a fost suficient de puternic.	Selectați un program mai intensiv.
	Nu a fost folosit suficient detergent.	Folosiți mai mult detergent sau schimbați detergentul.
	Elementele blochează mișcarea elicele.	Reorganizați elementele astfel încât elicele să se poată roti liber.
	Combi-nația de filtru nu este curată sau nu este montată corect în baza dulapului de spălare. Acest lucru poate determina blocarea jeturilor elicelor.	Curățați și potriviți corect filtrul. Curățați elicele.
Pahare pătate.	Combi-nație de lichid de clătire și prea mult detergent.	Folosiți mai puțin detergent dacă aveți apă mai puțin dură și selectați un ciclu mai scurt pentru a spăla sticle și pentru a le curăța.
Pete albe pe farfuri și pahare	Apa dură poate provoca depuneri de calcar.	Verificați setările dedurizatorului de apă sau umpleți containerul de sare.
Semnele negre sau gri pe vase	Ustensilele din aluminiu s-au frecat de vase	Folosiți un produs de curățare abraziv ușor pentru a elimina aceste semne.
Detergentul lăsat în dozator	Vasele blochează dozatorul de detergent	Reîncărcați vasele în mod corespunzător.
Vasele nu se usucă	Încărcare incorectă	Folosiți mănuși dacă rezidurile de detergent pot fi găsite pe vase pentru a evita iritarea pielii.
	Vasele sunt scoase prea devreme	Nu goliți mașina de spălat vase imediat după spălare. Deschideți ușa ușor, astfel încât aburul să poată ieși. Scoateți vasele până când temperatura interioară este sigură de atingere. Descărcați mai întâi coșul inferior pentru a preveni căderea apei din coșul superior.
Vasele nu se usucă	A fost selectat programul greșit.	Cu un program scurt, temperatura de spălare este mai scăzută, scăzând performanțele de curățare. Alegeți un program cu o perioadă lungă de spălare.
	Utilizarea tacâmurilor cu o acoperire de calitate scăzută.	Drenarea apei este mai dificilă cu aceste elemente. Tacâmurile sau vasele de acest tip nu sunt potrivite pentru spălarea în mașina de spălat vase.



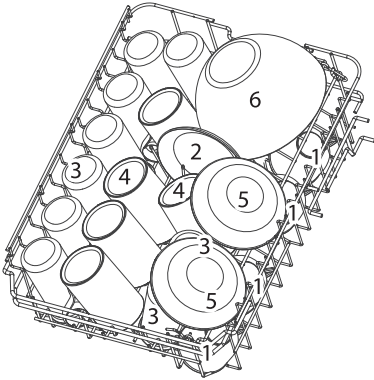
**ATENȚIE!**

Repararea personală sau neprofesională poate cauza riscuri grave pentru siguranța utilizatorului aparatului și garanția impactului.

# ÎNCĂRCAREA SERTARELOR CONFORM EN60436

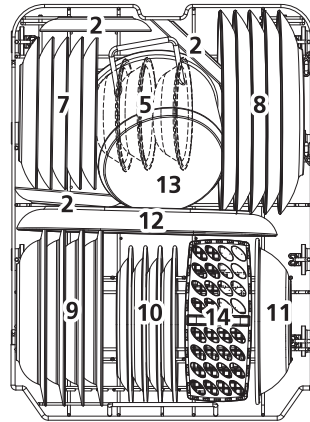
Încărcarea mașinii de spălat vase la capacitatea maximă va contribui la economie de energie și apă.

## 1. Sertar superior:



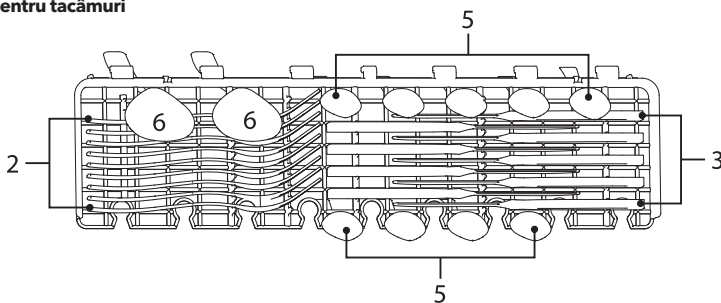
Număr	Articol
1	Cești
2	Farfurii
3	Pahare
4	Căni
5	Boluri pentru desert
6	Bol de sticlă

## 2. Sertar inferior:



Număr	Articol
7	Farfurii pentru desert
8	Farfurii pentru cină
9	Farfurii pentru supă
10	Farfurii de melamină pentru desert
11	Bol de melamină
12	Platou oval
13	Oală mică
14	Coș pentru tacâmuri

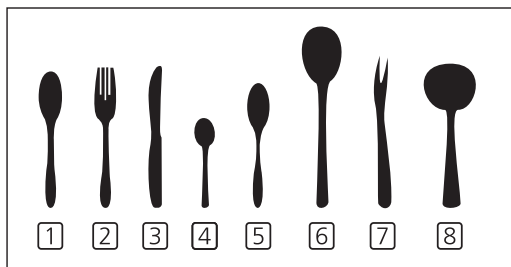
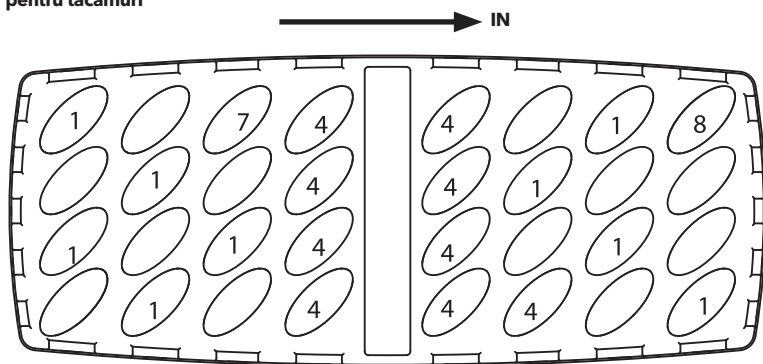
### 3. Raft pentru tacâmuri



**NOTA**

Vă rugăm să așezați articolele ușoare și plate pe raft. Greutatea totală trebuie să fie mai mică de 1,5 kg.

### 4. Sertar pentru tacâmuri



Număr	Articol
1	Linguri de supă
2	Furculițe
3	Cuțite
4	Lingurițe de ceai
5	Lingurițe de desert
6	Linguri
7	Furculițe
8	Linguri pentru sos

Informații pentru testele de comparabilitate în conformitate cu EN60436

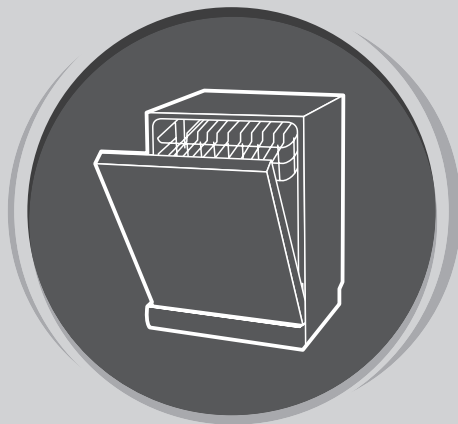
Capacitate: 9 spații

Poziția sertarului superior: poziție inferioară

Program: ECO

Setări clătire: MAX

Setări dedurizator: H3



# **DISHWASHER**

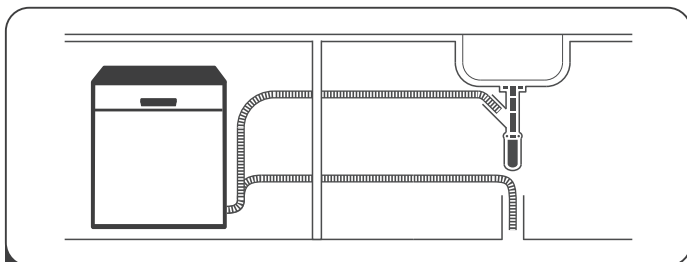
## User Manual

**PART II: SPECIAL VERSION**  
**WDI461M**

Please read this manual carefully before using the dishwasher and  
Keep this manual for future reference.

# GHID DE UTILIZARE RAPID

Vă rugăm să citiți conținutul corespunzător din manualul de instrucțiuni pentru o metodă de operare detaliată.

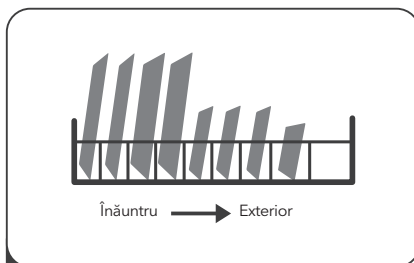


**1** Instalați mașina de spălat vase

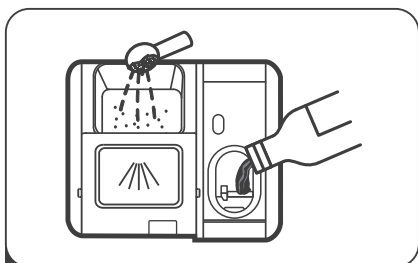
**Vă rugăm să consultați secțiunea 5 „INSTRUCȚIUNI DE INSTALARE” din PARTEA I: Versiune generică.)**



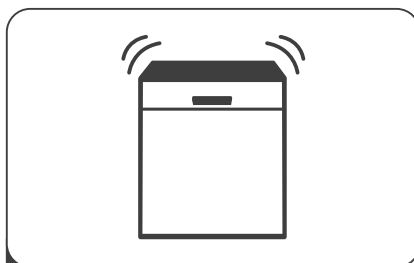
**2** Scoateți reziduurile mai mari din vase.  
Evitați pre-clătirea.



**3** Încărcați coșurile



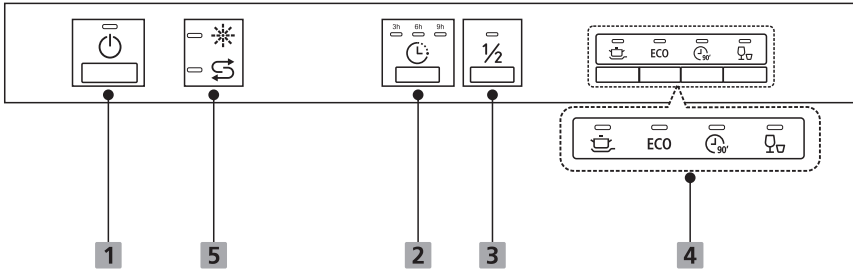
**4** Umpleți dozatorul cu detergent și agent de clătire.



**5** Selectați un program adecvat și porniți mașina de spălat vase.

# FOLOSIREA MAȘINII DE SPĂLAT VASE

## Panou de control







### Operație (Button)

1 Buton On/ Off Press this button to turn on your dishwasher, the screen lights up.



2 Întârziere Press the button to set the delay time.

3 Jumătate de încărcare Când aveți aproximativ sau mai puțin de șase seturi de vase de spălat, puteți alege această funcție pentru a economisi energie și apă. (Poate fi utilizat numai cu programele Intensive, Normal, ECO, Sticlă, 90 min).

Select the appropriate washing program, the selected program indicator will be lit.

- 4 Program
-  **Intensive**  
Articolele foarte murdare includ ghivece și tigăi. Cu urme uscate de mâncare.
  -  **ECO**  
Acesta este programul standard potrivit pentru încărcături normal murdare, cum ar fi ghivece, farfurii, pahare și tigăi ușor murdare.
  -  **90 min**  
Pentru încărcături normal murdare care necesită o spălare rapidă.
  -  **Rapid**  
O spălare mai scurtă pentru încărcături ușor murdare care nu necesită uscare.

### Afișaj

- 5 Warning indicator
-  **Lichid de clătire**  
Dacă "☀️" indicatorul este aprins, înseamnă că mașina de spălat vase are un nivel scăzut de lichid de clătire și necesită reîncărcare.
  -  **Sare**  
Dacă "♨️" indicatorul este aprins, înseamnă că mașina de spălat vase are un nivel scăzut de sare și necesită reîncărcare.

## Dedurizare Apă

Dedurizatorul de apă trebuie reglat manual, folosind cadranul de duritate a apei.

Dedurizatorul de apă este conceput pentru a elimina mineralele și sărurile din apă, ceea ce ar avea un efect dăunător sau negativ asupra funcționării aparatului.

Cu cât sunt mai multe minerale, cu atât apa este mai grea.

Dedurizatorul trebuie ajustat în funcție de duritatea apei din zona dvs. Autoritatea locală pentru apă vă poate sfătui cu privire la duritatea apei din zona dvs.

### Reglarea consumului de sare

Mașina de spălat vase este proiectată pentru a permite ajustarea cantității de sare consumată pe baza durității apei utilizate. Acest lucru este destinat să optimizeze și să personalizeze nivelul de consum de sare.

Vă rugăm să urmați pașii de mai jos pentru ajustarea consumului de sare.

1. Porniți aparatul;
2. În decurs de 60 de secunde de la pornirea aparatului, apăsați butonul Rapid mai mult de 5 secunde pentru a intra în modul de setare a dedurizatorului de apă. În 60 de secunde după ce aparatul a fost pornit;
3. Apăsați butonul Start / Pauză pentru a selecta setul adecvat în funcție de mediul dvs. local, seturile se vor schimba în următoarea secvență: H3->H4->H5->H6->H1->H2->H3;
4. Apăsați butonul de pornire pentru a încheia modelul configurat.

DURITATEA APEI				Nivelul de dedurizare	Regeneration occurs every X program sequence <sup>1)</sup>	Consum Sare (gram/ciclu)
German °dH	French °fH	British °Clarke	Mmol/l			
0 - 5	0 - 9	0 - 6	0 - 0.94	H1->Rapid Lumină strălucitoare	No regeneration	0
6 - 11	10 - 20	7 - 14	1.0 - 2.0	H2->90 min Lumină strălucitoare	10	9
12 - 17	21 - 30	15 - 21	2.1 - 3.0	H3->90 min, Rapid Lumină strălucitoare	5	12
18 - 22	31 - 40	22 - 28	3.1 - 4.0	H4->ECO Lumină strălucitoare	3	20
23 - 34	41 - 60	29 - 42	4.1 - 6.0	H5->ECO, Rapid Lumină strălucitoare	2	30
35 - 55	61 - 98	43 - 69	6.1 - 9.8	H6->ECO, 90 min Lumină strălucitoare	1	60

1 dH=1.25 Clarke=1.78 fH=0.178mmol/l

Setarea din fabrică: H3

Contactați furnizorul apă local pentru informații despre duritatea alimentării cu apă.

<sup>1)</sup> Fiecare ciclu cu o operație de regenerare consumă suplimentar 2,0 litri de apă, consumul de energie crește cu 0,02 kWh și programul se extinde cu 4 minute.

### NOTĂ

Vă rugăm să consultați secțiunea 3 „Încărcarea sării în compartimentul de dedurizare” din PARTEA I: Versiune generică, Dacă mașina de spălat vase nu are sare.

### NOTĂ

**Dacă modelul dvs. nu are niciun compartiment de dedurizare a apei, puteți săriți această secțiune.**

### Dedurizare Apă

Duritatea apei variază de la un loc la altul. Dacă se folosește apă dură în mașina de spălat vase, se vor depune depozite pe vase și ustensile. Mașina de spălat vase este echipat cu un dedurizant special care folosește un recipient de sare special conceput pentru a elimina varul și mineralele din apă

## Pregătirea și încărcarea vaselor

- Luați în considerare achiziționarea de ustensile care sunt identificate ca rezistente la mașina de spălat vase
- Pentru anumite articole, selectați un program cu cea mai mică temperatură posibilă.
- Pentru a preveni deteriorarea, nu scoateți sticlă și tacâmuri din mașina de spălat vase imediat după încheierea programului.

### Pentru spălarea următoarelor tacâmuri / vase

#### Nu sunt potrivite

- Tacâmuri cu mânere din lemn sau diverse modele
- Articole din plastic care nu sunt rezistente la căldură
- tacâmuri mai vechi cu piese lipite care nu sunt rezistente la temperatură
- Articole sau vase pentru tacâmuri lipite
- Articole de împletitură Sticla de cristal
- Articole din oțel supuse ruginii Platouri din lemn
- Articole fabricate din fibre sintetice

#### Sunt adecvate , însă limitat

- Unele tipuri de pahare pot deveni sensibile după un număr mare de spălări
- Piese din argint și aluminiu au tendința de decolorare în timpul spălării
- Modelele vitrate pot dispărea dacă sunt spășate frecvent

### Recomandări pentru încărcarea mașinii de spălat vase

Răzuiește orice cantitate mare de alimente rămase. Înmuiăți resturile de alimente arse în tigăi. Nu este necesar să clătiți vasele sub apă curentă

Pentru cele mai bune performanțe ale mașinii de spălat vase, urmați aceste instrucțiuni de încărcare.

**(Caracteristicile și aspectul coșurilor și coșurilor pentru tacâmuri pot varia în funcție de modelul dvs.)**

Plasați obiectele în mașina de spălat vase în felul următor:

Articole precum cupe, pahare, oale / tigăi etc. sunt orientate în jos.

- Articolele curbate, sau cele cu adâncimi, trebuie să fie încărcate ca atare, astfel încât apa să poată scurge. Toate ustensilele trebuie să fie stivuite în siguranță, astfel încât să nu se dea peste cap.
- Toate ustensilele sunt așezate astfel încât elicele să se poată roti liber în timpul spălării.
- Încărcați articole goale, cum ar fi cupe, pahare, tigăi etc. Cu deschiderea orientată în jos, astfel încât apa să nu poată fi colectată în recipient sau într-o bază adâncă.
- Vesela și obiectele de tacâmuri nu trebuie să se întindă unul în celălalt sau să se acopere reciproc. Pentru a evita deteriorarea, paharele nu trebuie să se atingă unul de altul.
- Coșul superior este conceput pentru a menține vasele de mâncare mai delicate și mai ușoare, cum ar fi pahare, pahare de cafea și ceai.
- Cuțitele cu lamă lungă depozitate într-o poziție verticală reprezintă un pericol potențial!
- Articole de tacâmuri lungi și / sau ascuțite, cum ar fi cuțitele de sculptură, trebuie să fie poziționate orizontal în coșul superior. Vă rugăm să nu supraîncărcați mașina de spălat vase. Acest lucru este important pentru rezultate bune și pentru un consum rezonabil de energie.

#### NOTĂ

Obiectele foarte mici nu trebuie spălate în mașina de spălat vase, deoarece acestea ar putea cădea cu ușurință din coș.

### Scoaterea vaselor

Pentru a împiedica scurgerea apei din coșul superior în coșul inferior, vă recomandăm să goliți mai întâi coșul inferior, urmat de coșul superior.

#### PERICOL!



**Articolele pot fi fierbinti!** Pentru a preveni deteriorarea, nu scoateți sticlă și tacâmuri din mașina de spălat vase timp de aproximativ 15 minute după încheierea programului.

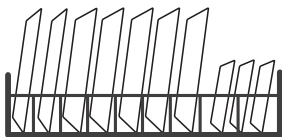
### Încărcarea coșului superior

Coșul superior este conceput pentru a menține vase mai delicate și mai ușoare cum ar fi pahare, căni de cafea și ceai și farfurioare, precum și farfurii, mici boluri și cratițe mici (atâta timp cât nu sunt prea murdare). Poziționează vasele pentru a nu fi atinse de elicele de apă.



### Încărcarea coșului inferior

Vă sugerăm să plasați articole mari și dificil de curățat în coșul inferior: cum ar fi vase, tigăi, capace, mâncăruri și boluri, ca în figura de mai jos. Este de preferat să așezați mâncărurile și capacele pentru a evita blocarea rotirii elice de sus. Diametrul maxim recomandat pentru plăcile din fața detergentului dozatorului este de 19 cm, acest lucru nu înseamnă că împiedică deschiderea acestuia.



### Încărcarea coșului de tacâmuri

Tacâmurile trebuie așezate în coșul pentru tacâmuri separat unul de celălalt în pozițiile corespunzătoare. Evitați cuibărirea tacâmurilor pentru a preveni performanțe insuficiente de curățare.

#### PERICOL!



Nu lăsați niciun element să se extindă prin partea de jos.  
Încărcați întotdeauna ustensilele ascuțite cu punctul ascuțit în jos!

#### NOTĂ

Pentru cele mai bune efecte la spălare, încărcați coșurile în referință la opțiunile de încărcare standard din ultima secțiune din PARTEA I: Versiunea generică

## Funcția agentului de clătire și a detergentului

Lichidul de clătire este eliberat în timpul clătirii finale pentru a preveni apariția picăturilor pe vasele tale, care pot lăsa pete și dungii. De asemenea, îmbunătățește uscarea, permițând apei să se rostogolească de pe vase. Mașina de spălat vase este proiectată pentru a utiliza substanțe de spălare lichide.

#### PERICOL!

Utilizați numai un agent de clătire pentru mașina de spălat vase. Nu completați niciodată distribuitorul cu substanță de spălare cu alte substanțe (de exemplu, agent de curățare a mașinii de spălat vase, detergent lichid) Acest lucru ar deteriora aparatul.

### Când reumpleți distribuitorul de spălare

Regularitatea cu care dozatorul trebuie reumplut depinde de frecvența cu care sunt spălate vasele și de agentul de clătire utilizat.

Indicatorul de clătire scăzută (  ) va fi aprins când este nevoie de mai mult agent de clătire. Nu umpleți prea mult dozatorul de agent de clătire.

### Funcția detergentului

Ingredientele chimice care compun detergentul sunt necesare pentru a îndepărta, zdrobi și arunca toată murdăria din mașina de spălat vase. Majoritatea detergentilor de calitate comercială sunt potriviți în acest scop.

#### PERICOL!

### Utilizarea corectă a detergentului

Folosiți doar detergent special pentru uz de mașini de spălat vase. Păstrați detergentul dvs. proaspăt și uscat. Nu puneți detergent în dozator până nu sunteți gata să porniți mașina de spălat vase.

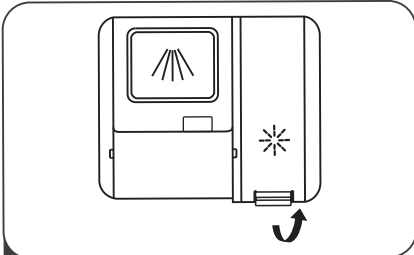




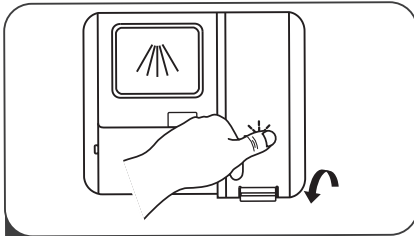
**Detergentul de spălat vase este coroziv!**

**Nu lăsați detergentul pentru mașina de spălat vase la îndemâna copiilor.**

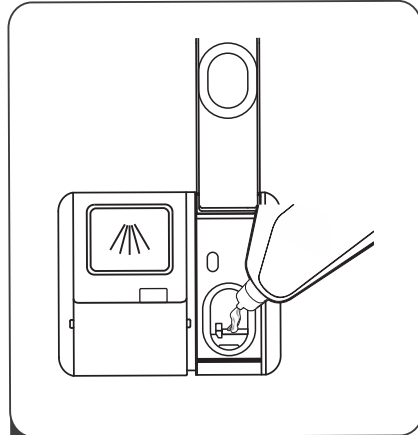
## Umplerea rezervorului pentru agent de clătire



1 Scoateți capacul rezervorului ridicând mânerul.



3 Strângeți capacul până la capăt



2 Se toarnă detergentul în dozator, având grijă să nu se umple în exces.

### Reglarea rezervorului de detergent

Pentru a obține o performanță mai bună de uscare, cu detergent limitat, mașina de spălat vase este proiectată pentru a regla consumul de către utilizator. Urmăți pașii de mai jos.

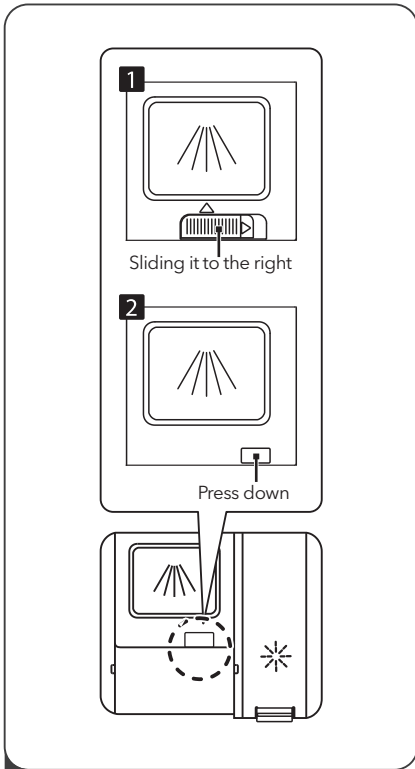
1. Închideți ușa și porniți aparatul.
2. În decurs de 60 de secunde de la pasul 1, apăsați butonul Program mai mult de 5 secunde, apoi apăsați butonul Întârziere pentru a introduce modelul setat, indicatorul pentru agentul de clătire va clipi.
3. Apăsați butonul Program pentru a selecta setul potrivit în funcție de obiceiurile dvs. de utilizare, seturile se vor schimba în următoarea succesiune: D1-> D2-> D3-> D4-> D5-> D1. Cu cât numărul este mai mare, cu atât mașina de spălat vase folosește mai mult agent de clătire.
4. Apăsați butonul de alimentare pentru a termina modelul de configurare.

#### Nivel agent de clătire

#### Poziția selectorului

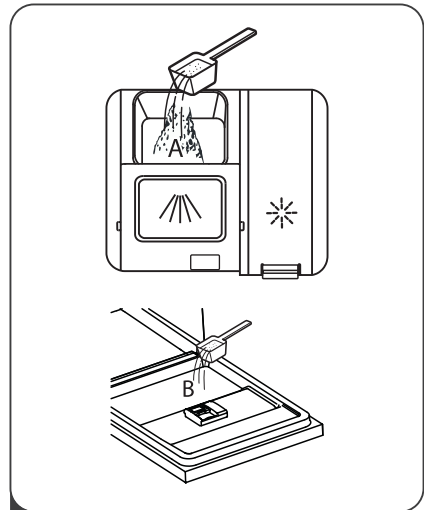
D1	D1-> Rapid Lumină strălucitoare
D2	D2-> 90 min Lumină strălucitoare
D3	D3-> Rapid 90 min Lumină strălucitoare
D4	D4-> ECO Lumină strălucitoare
D5	D5-> Rapid ECO Lumină strălucitoare

## Umplerea dozatorului de detergent

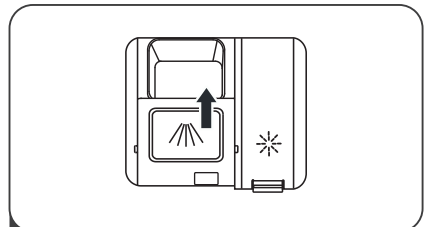


1 Vă rugăm să alegeți o cale deschisă în funcție de situația reală.

1. Deschideți capacul glisând butonul de eliberare.
2. Deschideți capacul apăsând în jos butonul de eliberare.



2 Adăugați detergent în cavitatea mai mare (A) pentru ciclul principal de spălare. Pentru un rezultat mai bun de curățare, mai ales dacă aveți articole foarte murdare, turnați o cantitate mică de detergent pe ușă. Detergentul suplimentar se va activa în timpul fazei de pre-spălare.



3 Închideți clapeta glisând-o în față și apoi apăsând-o în jos.

### NOTĂ




- Fiți conștienți că, în funcție de murdărirea apei, setarea poate fi diferită.
- Vă rugăm să respectați recomandările producătorului privind ambalajul detergentului.

# PROGRAMAREA MAȘINII DE SPĂLAT

## Tabelul de Programe

Tabelul de mai jos arată care programe sunt cele mai bune pentru nivelurile de reziduuri alimentare de ce cantitate de detergent este nevoie. De asemenea, arată diverse informații despre programe. Valorile consumului și durata programului sunt doar orientative, cu excepția programului ECO

● Semnificație: trebuie să umpleți clătirea în dozatorul de clătire.

Program	Descrierea Ciclului	Detergent Pre/Principal	Timp (min)	Energie (Kwh)	Apă (L)	Agent De clătire
 <b>Intensive</b>	Prespălare (50°C)					
	Spălare (65°C)					
	Clătire	4/13 g	205	1.378	15.3	●
	Clătire	1 or 2 bucată				
	Clătire (65°C)					
Uscare						
<b>ECO</b> (*EN 60436)	Spălare (45°C)					
	Clătire	17 g	235	0.704	9.0	●
	Clătire (55°C)					
	Uscare					
 <b>90 Min</b>	Spălare (60°C)					
	Clătire	17 g	90	1.234	10.2	●
	Clătire (65°C)	1 bucată				
	Uscare					
 <b>Rapid</b>	Spălare (50°C)					
	Clătire	12 g	30	0.611	10.0	○
	Clătire (45°C)					



NOTA

### ECO (\*EN 60436)

Programul ECO este potrivit pentru a curăța vesela normal murdară, că (\* EN60436) pentru această utilizare, este cel mai eficient program din punct de vedere al combinării sale consumului de energie și apă și este utilizat pentru a evalua conformitatea cu legislația UE în domeniul proiectării ecologice.

## Economisire de Energie

1. Pre-clătirea articolelor de masă duce la creșterea consumului de apă și energie și nu este recomandată.
2. Spălarea veselei într-o mașină de spălat vase de uz casnic consumă de obicei mai puțină energie și apă în faza de utilizare decât spălarea manuală a vasei atunci când mașina de spălat vase de uz casnic este utilizată conform instrucțiunilor.

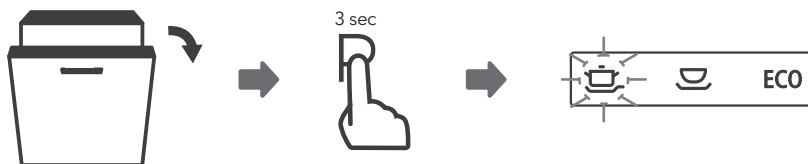
## Pornirea unui Ciclu de Spălare

1. Trageți coșul inferior și superior, încărcați vasele și împingeți-le înapoi. Se recomandă încărcarea coșului inferior mai întâi, apoi cel superior.
2. Turnați în detergent.
3. Introduceți ștecherul în priză. Sursa de alimentare se referă la ultima pagină „Fișă produs”. Asigurați-vă că alimentarea cu apă este pornită la presiune completă.
4. Închideți ușa, apăsați butonul de pornire, pentru a porni mașina.
5. Alegeți un program, lumina de răspuns se va aprinde. Apoi apăsați butonul Start / Pauză, mașina de spălat vase își va începe ciclul.

## Modificarea ciclului Intermediar al Programului

Un program poate fi schimbat numai dacă a funcționat doar pentru o perioadă scurtă de timp, altfel este posibil ca detergentul să fi fost deja eliberat sau apa de spălare cu detergent să fi fost deja golită. În acest caz, mașina de spălat vase trebuie resetată, iar dozatorul de detergent trebuie să fie reumplut. Pentru a reseta mașina de spălat vase, urmați instrucțiunile de mai jos:

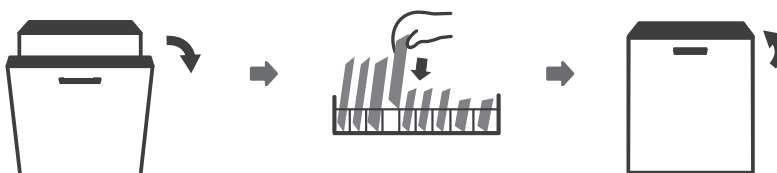
1. Deschideți ușa pentru a opri mașina de spălat vase, după ce brațul de pulverizare a încetat să funcționeze, puteți deschide ușa complet.
2. Apăsați butonul Program mai mult de trei secunde aparatul va fi în modul de selectare a programului..
3. Apăsați butonul Program pentru a selecta programul dorit.



## Ai uitat să adaugi un vas?

Vasul uitat poate fi adăugat oricând înainte de deschiderea dozatorului de detergent. În acest caz, urmați instrucțiunile de mai jos:

1. Apăsați butonul Start / Pauză pentru a întrerupe spălarea.
2. Așteptați 5 secunde apoi deschideți ușa.
3. Adăugați vasele uitate.
4. Închideți ușa.
5. Apăsați butonul Start / Pauză după 10 secunde, mașina de spălat vase va porni.



### **PERICOLI!**



Este periculos să deschideți ușa în mijlocul ciclului, deoarece aburul fierbinte vă poate stropi.

## CODURI DE EROARE

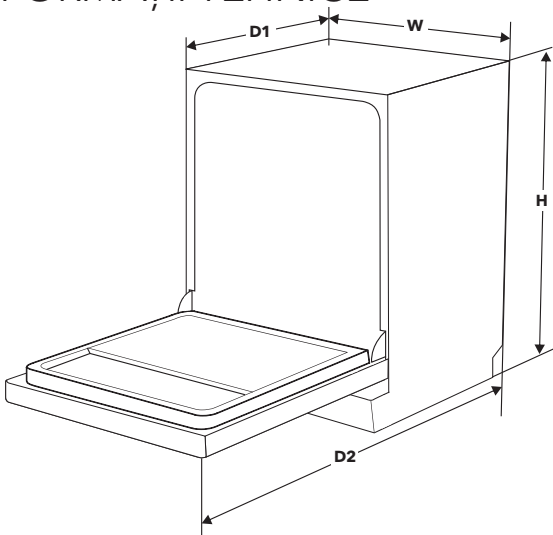
Dacă există o defecțiune, mașina de spălat vase va afișa un cod de eroare. Următorul tabel prezintă codurile de eroare posibile și cauzele acestora.

Cod	Semnificație	Cauză posibilă
Lumina rapidă pâlpâie ușor	Timp de alimentare mai lung.	Robinetul nu este deschis, sau admisia apei este restricționată sau presiunea apei este prea mică.
Lumina de 90 min și Rapid luminează intermitent	Nu atinge temperatura dorită.	Defecțiune a radiatorului.
Lumina ECO pâlpâie ușor	Inundație.	Unele elemente din mșina de spălat vase au scurgeri
Indicatorul Intensiv, ECO, Rapid pâlpâie ușor	Eșecul comunicării între PCB-ul principal cu PCB-ul afișajului.	Deschideți circuitul sau întrerupeți cablul de comunicare.

### PERICOL!

- Dacă apare inundația, opriți alimentarea principală cu apă înainte de a apela la un service
- Dacă există apă în tava de bază din cauza unei supraîncărcări sau a unei scurgeri mici, apa trebuie îndepărtată înainte de a reporni mașina de spălat vase.
- Dacă există un cod de eroare care nu poate fi rezolvat, vă rugăm să solicitați asistență profesională.

## INFORMAȚII TEHNICE



<b>Înălțime (H)</b>	815mm
<b>Lățime (W)</b>	448mm
<b>Adâncime (D1)</b>	550mm (cu ușa închisă)
<b>Adâncime (D2)</b>	1150mm (cu ușa deschisă la 90°)

## Fișă cu informații despre produs (EN60436)

**Nume utilizator sau marca comerț:** Tesla

**Adresa furnizorului (b):**

**Identificare model:** WDI461M

**Parametrii generali ai produsului:**

Parametrii	Valoare	Parametrii	Valoare	
Capacitate nominală (°) (ps)	9	Dimensiuni în cm	Înălțime	82
			Lățime	45
			Adâncime	55
EEI (°)	55,9	Clasa de eficiență energetică (°)	E (°)	
Indicele de performanță al curățării (°)	1,125	Indicele de performanță la uscare (°)	1,065	
Consumul de energie în kWh [pe ciclu], pe baza programului ecologic utilizând umplerea cu apă rece. Consumul real de energie va depinde de modul în care este utilizat aparatul.	0,704	Consumul de apă în litri [pe ciclu], pe baza programului ecologic. Consumul real de apă va depinde de modul în care este utilizat aparatul și de duritatea apei.	9,0	
Durata programului (°) (h:min)	3:55	Tip	Încorporat	
Emisii acustice de zgomot în aer (°) (dB(A) re 1 pW)	49	Clasa de emisii de zgomot acustic în aer (°)	C (°)	
Mod off (W)	0,49	Mod de așteptare (W)	N/A	
Start întârziat(W) (dacă este cazul)	1,00	Așteptare în rețea (W) (dacă este cazul)	N/A	

**Durata minimă a garanției oferite de furnizor (b):**

**Informații suplimentare:**

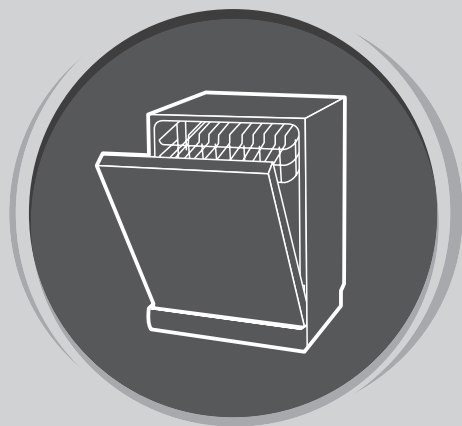
Link web către site-ul furnizorului, unde se găsesc informațiile din punctul 6, din Anexa II la Regulamentul Comisiei (UE) 2019/2022 (1) (°):

(°) pentru programul ecologic.

(b) modificările aduse acestor elemente nu vor fi considerate relevante în sensul Art. 4 alin. 4 din Regulamentul (UE) 2017/1369.

(°) în cazul în care baza de date a produsului generează automat conținutul definitiv al acestei celule, furnizorul nu va introduce aceste date.

(1) Regulamentul Comisiei (UE) 2019/2022 din 1 octombrie 2019 de stabilire a cerințelor de proiectare ecologică pentru mașinile de spălat vase de uz casnic în conformitate cu Directiva 2009/125 / CE a Parlamentului European și a Consiliului de modificare a Regulamentului Comisiei (CE) nr. 1275/2008 și de abrogare a Regulamentului Comisiei (UE) nr. 1016/2010 (a se vedea pagina 267 din prezentul Jurnal Oficial).



# POMIVALNI STROJ

Navodila  
za uporabo

## DEL I: OSNOVNA RAZLIČICA

Pred uporabo pazljivo preberite ta navodila za uporabo pomivalnega stroja in jih shranite za poznejšo uporabo.

# VARNOSTNI PODATKI

## OPOZORILO!

Ko uporabljate pomivalni stroj, upoštevajte spodaj navedene varnostne postopke:

- Namestitvev in popravila lahko izvede samo za to usposobljen tehnik.
- Ta stroj je namenjen za uporabo v gospodinjstvih in kot na pri:
  - v kuhinjah za osebe v trgovinah, pisarnah in v drugih delovnih okoljih;
  - na kmetijah;
  - za stranke v hotelih, motelih in drugih vrstah stanovanjskih objektov;
  - v turističnih objektih, ki nudijo nočitev z zajtrkom.
- To napravo lahko uporabljajo otroci, stari nad 8 let, in osebe z zmanjšanimi fizično-čutilnimi ali umskimi sposobnostmi ali s pomanjkanjem izkušnje ali znanja, vendar le pod nadzorom, ali pa če so poučeni o varni uporabi naprave in razumejo nevarnosti, ki jih prinaša uporaba naprave.
- Otroci se z napravo ne smejo igrati. Otroci pomivalnega stroja ne smejo čistiti in opravljati vzdrževanja brez nadzora. (Za EN60335-1)
- Te naprave ne smejo uporabljati osebe (vključno z otroki) z zmanjšanimi fizično-čutilnimi ali umskimi sposobnostmi ali s pomanjkanjem izkušnje in znanja, razen v primeru, da so pod nadzorom, ali pa jih je o varni uporabi naprave poučila oseba, ki odgovarja za njihovo varnost. (Za IEC60335-1)
- Embalaža je lahko nevarna za otroke!
- Ta naprava je namenjena samo za uporabo v gospodinjstvu.
- Naprave, kabla ali vtiča ne potaplajte v vodo ali drugo tekočino, da ne pride do nevarni električnega udara.
- Pred čiščenjem in vzdrževanjem napravo izklopite iz električnega omrežja.
- Uporabite mehko krpo, navlaženo z blagim milom, nato pa napravo s suho krpo ponovno obrišite.

## Navodila za ozemljitev

- Stroj morate ozemljiti. V primeru slabega delovanja ali okvare bo ozemljitev zmanjšala tveganje električnega udara, ker omogoča pot najmanjšega upora električnega toka. Stroj je opremljen z ozemljitvenim vodnikom z vtičem.
- Vtič morate vklopiti v ustrezno vtičnico, ki je nameščena in ozemljena v skladu z vsemi lokalnimi kodeksi in odloki.
- Nepravilen priklop opreme - vodnika ozemljitve pomeni tveganje za električni udar.
- Če niste prepričani, da je stroj pravilno ozemljen, naj to preverita za to usposobljen električar ali serviser.
- Ne spreminjajte vtiča, ki je dostavljen s strojem, če ne ustreza vaši vtičnici.
- Usposobljen električar naj vam namesti ustrezno vtičnico.
- S strojem ravnajte previdno. Ne sedajte naj ali stopajte na vrata ali na police za posodo pomivalnega stroja.

- Ne upravljajte s svojim pomivalnim strojem, če vse plošče ohišja niso pravilno nameščene.
- Previdno odpirajte vrata, če pomivalni stroj obratuje, saj obstaja tveganje, da bo voda brizgnila iz stroja.
- Ko so vrata stroja odprta, nanje ne polagajte težkih predmetov in ne stopajte nanje. Stroj se lahko prevrne naprej.
- Ko v stroj vstavljate posodo, ki jo želite pomiti:
  1. Ostre kose namestite tako, da ne bodo mogli poškodovati tesnila vrat.
  2. Opozorilo: Nože in drug pribor z ostrimi konicami morate naložiti v košaro tako, da bodo konice obrnjene navzdol, ali pa jih položite v ležeč položaj.
- Nekateri detergenti za pomivalne stroje so zelo alkalni. So izjemno nevarni, če jih zaužijemo.
- Pazite, da ne pridejo v stik s kožo in očmi, otrokom pa ne dovolite, da bi stali v bližini stroja, ko so njegova vrata odprta.
- Po zaključku pomivalnega cikla preverite, ali je v stroju ostalo kaj detergenta.
- Ne pomivajte plastičnih predmetov razen tistih z oznako »varno pomivanje v pomivalnem stroju« ali s podobno oznako.
- Če plastični izdelki nimajo take oznake, preverite priporočila proizvajalca.
- Uporabljajte samo detergente in sredstva za izpiranje, ki jih priporočajo za uporabo v avtomatskem pomivalnem stroju.
- V svojem pomivalnem stroju nikoli ne uporabljajte mila, detergentov za pranje perila ali tekočega mila za roke.
- Ne puščajte odprtih vrat, ker se lahko obnje spotaknete.
- Ko je električni napajalni kabel poškodovan, ga mora proizvajalec ali njegov pooblaščen serviser ali druga za to usposobljena oseba zamenjati, da ne pride do nesreče.
- Med nameščanjem električni kabel ne sme biti preveč ali nevarno upognjen ali sploščen.
- Ne izvajajte sprememb na krmilnih gumbih.
- Stroj morate priklopiti na glavni vodovodni ventil s kompletom novih gibljivih cevi. Starih cevi ne smete uporabljati.
- V načinu mirovanja se stroj samodejno izklopi in tako varčuje energijo, če v 15 minutah ne opravimo naslednjega pomivanja.
- V pomivalnem stroju lahko pomijete posodo do 9 pogrnjkov
- Najvišji dovoljen vhodni tlak vode je 1MPa
- Minimalni dovoljen vhodni tlak vode je 0,04MPa.

## Odstranjevanje naprave



- Prosimo, da embalažo in stroj, ki sta namenjena za odstranitev med odpadke, oddate v reciklažni center. Odrežite električni napajalni kabel in onespobite zapiranje vrat.
- Kartonska embalaža je izdelana iz recikliranega



papirja in jo morate odložiti v zaboj za odpadni papir, ki je namenjen za ponovno uporabo.

- S pravilnim odstranjevanjem izdelka med odpadke pomagate pri preprečevanju morebitnih negativnih posledic za okolje in na zdravje ljudi, ki bi jih sicer povzročili z neprimernim ravnanjem z odpadki tega izdelka.
- Več podrobnih podatkov o ponovni uporabi tega izdelka dobite pri svojem lokalnem mestnem uradu

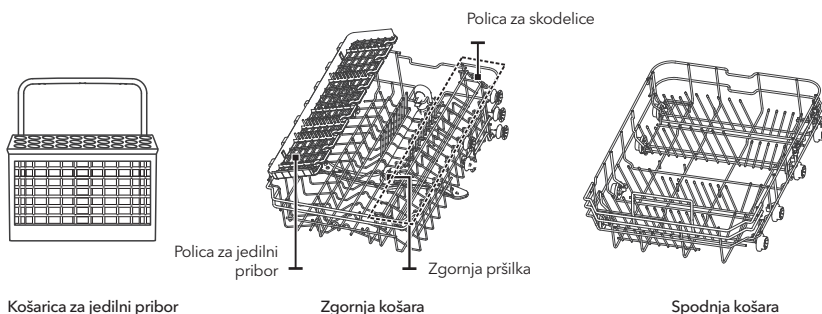
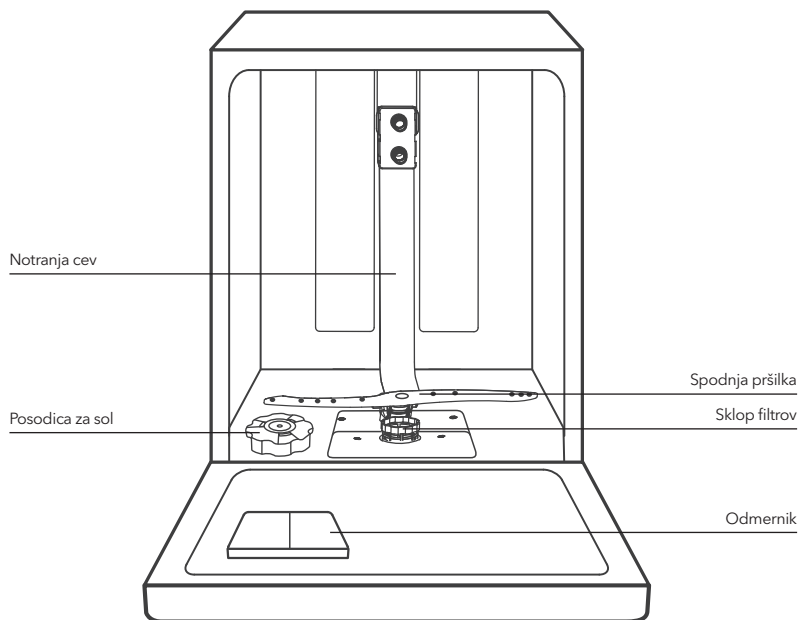
in v svojem centru za odlaganje gospodinjskih odpadkov.

- **ODSTRANJEVANJE:** Izdelka ne smete odložiti med mešane komunalne odpadke. Potrebno je ločeno zbiranje takih odpadkov, ki gredo v posebno predelavo.

## PREGLED IZDELKA

### ! POMEMBNO:

Pred prvo uporabo pomivalnega stroja preberite celotna navodila za delovanje, da boste znali stroj učinkovito uporabljati.

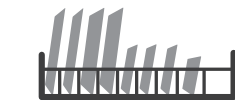


### OPOMBA!

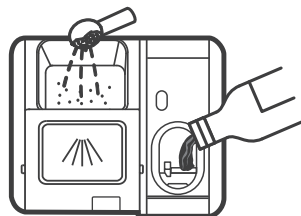
Slike izdelkov so le informativne in se lahko razlikujejo od dejanskega izdelka. Prosimo, da to upoštevate.

# UPORABA POMIVALNEGA STROJA

Pred uporabo pomivalnega stroja:



Notranjost → Zunanost



1. Namestite mehčalec vode.
2. Dodajte sol v mehčalec.

3. Naložite košaro.
4. Napolnite posodo za detergent

## OPOMBA!

Preberite poglavje »Mehčalec vode« v DELU II: Posebna različica - Nameščanje mehčalca vode.

## Dodajanje soli v mehčalec

### OPOMBA!

Če vaš model ne potrebuje mehčalca vode, lahko ta odstavek preskočite.

Vedno uporabljajte sol, ki je namenjena uporabi v pomivalnem stroju.

Posodica za sol je nameščena pod spodnjo košaro; napolnite jo tako, kot sledi:

### OPOZORILO!

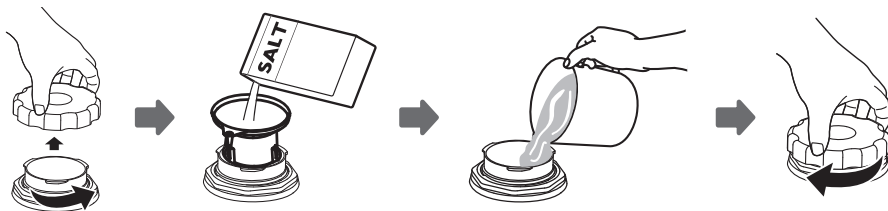
#### • Vedno uporabljajte sol, ki je namenjena uporabi v pomivalnem stroju!

Vsaka druga vrsta soli, ki ni posebej namenjena uporabi v pomivalnem stroju, zlasti kuhinjska sol, poškoduje mehčalec vode. V primeru poškodb zaradi uporabe neprimerne soli proizvajalec ne daje nobene garancije in ne odgovarja za nobeno nastalo škodo.

#### • Sol dodajajte samo pred začetkom cikla.

Tako preprečite, da bi kakršna koli zrna soli ali slana voda, ki se je morda razlila, ostala daljši čas na dnu stroja, ker lahko povzročijo rjavenje.

Pri dodajanju soli ravnajte kot sledi:



1. Odstranite spodnjo košaro in odvijte pokrovček rezervoarja.
2. Postavite konec (dobavljenega) lijaka v odprtino in vanj stresite okoli 1,5 kg soli za pomivalni stroj.
3. Napolnite posodo za sol z vodo do zgornje meje; manjša količina vode lahko priteče iz rezervoarja soli, kar je običajen pojav.
4. Ko napolnite rezervoar, spet trdno privijte pokrovček.
5. Opozorilna lučka za sol ugasne, ko rezervoar za sol napolnite s soljo.
6. Takoj ko napolnite rezervoar za sol s soljo, lahko zaženete program pomivanja (predlagamo, da uporabite kratki program). V nasprotnem primeru lahko slana voda poškoduje filter, črpalko, ali druge pomembne dele stroja. Tega pa garancija ne pokriva.

## OPOMBA!

- V rezervoar za sol morate dodati sol samo takrat, ko zasveti opozorilna lučka (☞) na krmilni plošči. Glede na to, kako hitro se sol topi, lahko opozorilna lučka še vedno sveti, čeprav ste napolnili rezervoar za sol. Če na krmilni plošči ni opozorilne lučke za sol (velja za nekatere modele), lahko ocenite, kdaj morate dodati sol v mehčalec, tj. s pomočjo ciklov, ki jih je pomivalni stroj opravil.
- Če se je sol raztresla, zaženite namakanje ali kratki program, da jo tako odstranite.

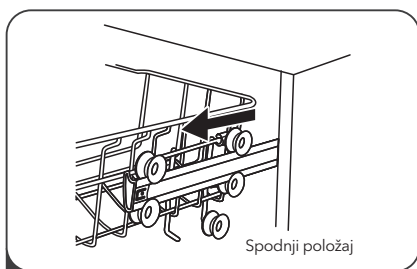
## Nasveti za nalaganje košare

### Nastavitev zgornje košare

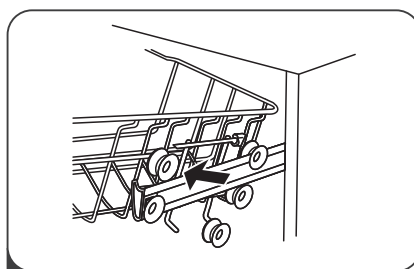
#### 1. način:

Višino zgornje košare lahko preprosto nastavite tako, da boste večjo posodo lahko naložili ali v zgornjo ali pa v spodnjo košaro.

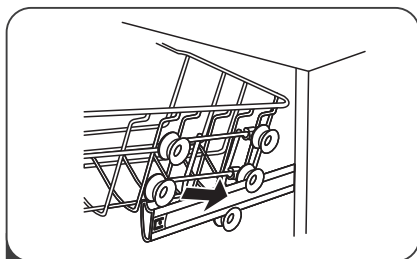
Višino zgornje košare prilagodite tako, kot sledi:



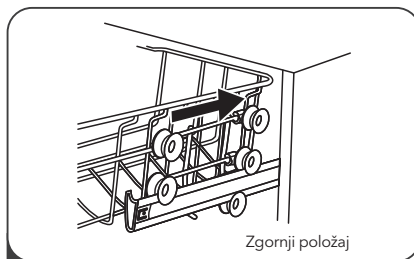
**1** Izvlecite zgornjo košaro.



**2** Odstranite zgornjo košaro.

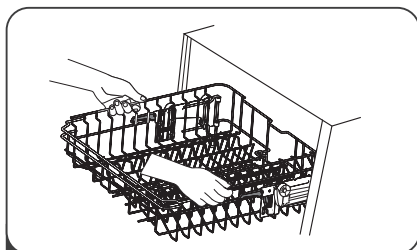


**3** Ponovno pritrdite zgornjo košaro na zgornje ali spodnje valjčke.

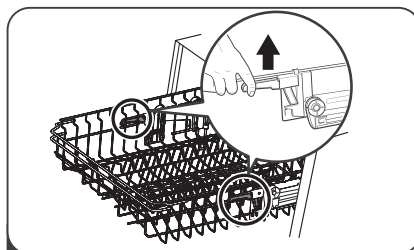


**4** Zgornjo košaro potisnite noter.

#### 2. način:



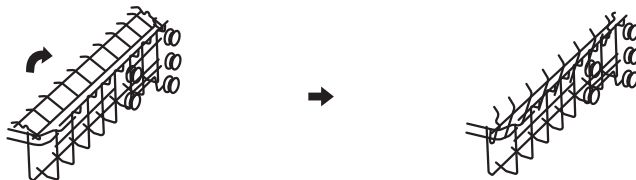
**1** Zgornjo košaro namestite na višji položaj tako, da jo držite na sredi vsake od stranic in jo dvigate, dokler se ne zaskoči v svoje mesto na zgornjem položaju. Držaja za uravnavanje ni treba dvigati.



**2** Zgornjo košaro namestite na nižji položaj tako, da dvignete držaja za uravnavo na vsaki strani (da sprostite košaro), in košaro spustite na nižji položaj.

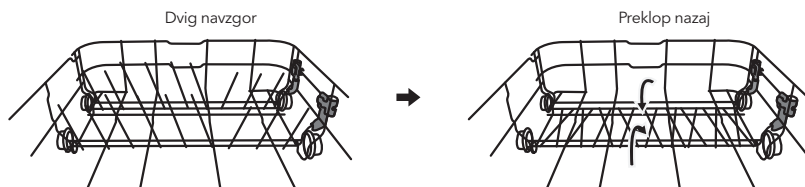
### Preklop polic za skodelice

Prostor za večje posode na zgornji košari pridobite tako, da dvignete polico za skodelice navzgor. Nato lahko ob njo naslonite visoke kozarce. Polino lahko tudi odstranite, ko jo ne potrebujete.



### Zlozljive police

Palčke spodnje košare se uporabljajo za namestitev krožnikov in pladnjev. Lahko jih znižate, da boste imeli več prostora za večje posode.



## VZDRŽEVANJE IN ČIŠČENJE

### Vzdrževanje zunanosti stroja

#### Vrata in tesnilo vrat

Z mehko in vlažno krpo redno čistite tesnila vrat, da odstranite preostanke hrane. Ko naložite posodo v pomivalni stroj, se lahko ostanki hrane in pijače nabirajo v stranicah pomivalnega stroja. Te površine so izven pomivalne omarice in jih voda iz pršilk ne doseže. Vse te ostanke morate odstraniti, preden zaprete vrata.

#### Krmilna plošča

Ko se krmilna plošča umaže, jo morate obrisati z mehko in vlažno krpo.



#### OPOZORILO!

- Ne uporabljajte nobene vrste čistila v razpršilu, da ne bi prišla tekočina v zaklep vrat in v električne komponente.
- Za čiščenje zunanjih površin nikoli ne uporabljajte abrazivnih čistilnih sredstev ali žičnih gob, ker z njimi lahko opraskate končni premaz. Tudi nekatere papirne brisače lahko povzročijo praske ali druge poškodbe na površini.

### Vzdrževanje notranjosti stroja

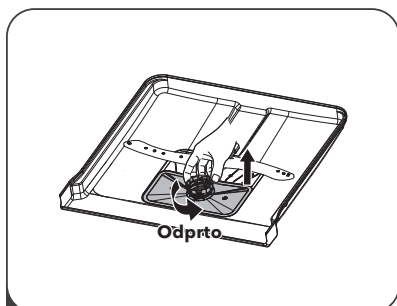
#### Sistem filtrov

Filtrini sistem na dnu omarice za pranje zadrži grobe ostanke iz cikla pranja, vključno s tujki, kot so zobobreci ali drobc. Zbrani grobi odpadki lahko povzročijo zamašitev filtrov. Redno preverjajte stanje filtrov, previdno odstranite tuje predmete in po potrebi očistite dele filtrirnega sistema z vodo. Za čiščenje filtra sledite spodnjim korakom.

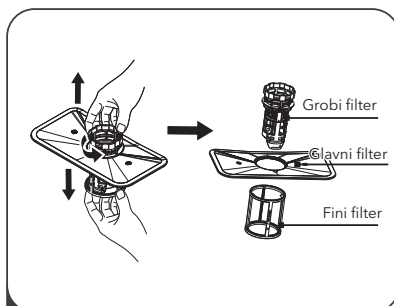


#### OPOMBA!

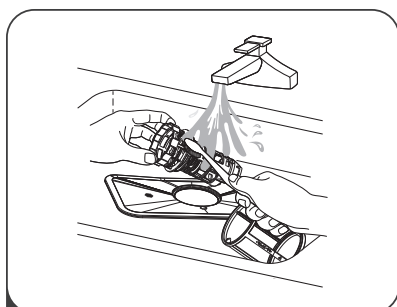
Slike izdelkov so le informativne in se lahko razlikujejo od dejanskih sistemov filtrov in pršilk.



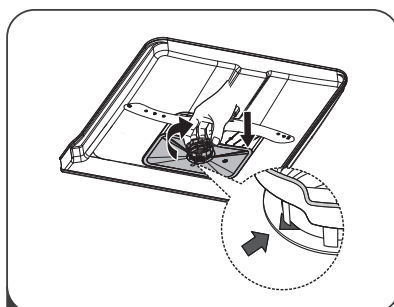
- 1** Držite grobi filter in ga obračajte v nasprotni smeri urnega kazalca, da ga sprostite. Dvignite filter navzgor in ven iz pomivalnega stroja.



- 2** Fini filter lahko izvlečete z dna sklopa filtrov. Grobi filter odpnite z glavnega filtra tako, da rahlo stisnete zavihke na vrhu in ga izvlečete.



- 3** Večje ostanke hrane lahko očistite z izpiranjem filtra pod tekočo vodo. Bolj temeljito očistite filter z mehko čistilno krtačko.



- 4** Ponovno sestavite filtre v obratnem vrstnem redu od razstavljanja, zamenjajte filterski vložek in ga obračajte v smeri urnega kazalca do puščice.

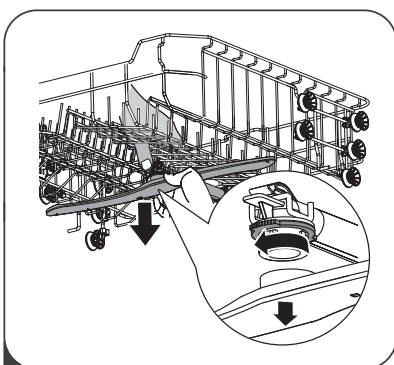
### **!** OPOZORILO!

- Filterv ne smete preveč zategniti. Namestite filtre po vrsti varno nazaj, da grobi delci ne zaidejo v sistem in povzročijo oviranje pretoka. Nikoli ne smete uporabljati pomivalnega stroja brez nameščenih filtrov. Nepravilno nameščeni filtri lahko zmanjšajo raven učinkovitosti stroja ter poškodujejo posodo in pribor.

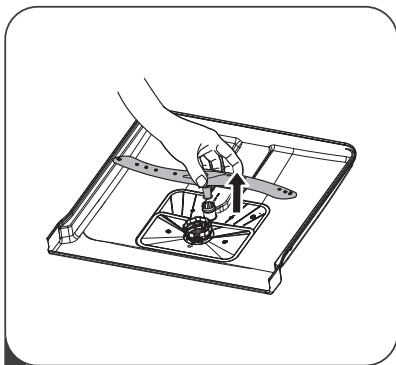
### **Pršilke**

Pršilke morate redno čistiti, ker kemikalije za mehčanje vode lahko zamašijo šobe pršilk in njene ležaje.

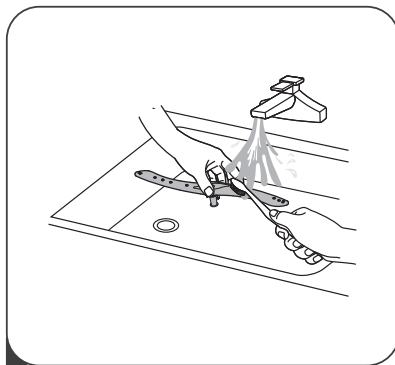
Pršilke očistite po spodnjih navodilih:



- 1** Odstranite zgornjo pršilko, držite matico na sredini in obračajte pršilko v smeri urnega kazalca, da jo odstranite.



**2** Spodnjo pršilko odstranite tako, da jo povlečete navzgor.



**3** Pršilki operite v milnati topli vodi, šobe pa očistite z mehko krtačko. Ko ste pršilki temeljito splaknili, jih ponovno namestite.

## Vzdrževanje pomivalnega stroja

### Varnostni ukrepi pred zamrznitvijo

Pozimi pomivalni stroj zavarujte pred zamrznitvijo. Po vsakem ciklu pomivanja:

1. Odklopite pomivalni stroj iz električnega omrežja - iz vira napajanja.
2. Izklopite napajanje z vodo in odklopite dovodno cev vode z vodovodnega ventila.
3. Izpustite vodo iz dovodne cevi in iz vodovodnega ventila. (Uporabite pladenj za izteklo vodo)
4. Ponovno priključite vodovodno cev na vodovodni ventil.
5. Odstranite vse filtre na dnu posode in z gobico posrkajte vodo v odtoku.

### Po vsakem pomivanju

Po vsakem pomivanju odklopite dovod vode do naprave in pustite vrata malo odprta, tako, da se vlaga in vonjave ne zadržujejo v notranjosti.

### Odstranite vtič

Pred čiščenjem ali pred vzdrževalnimi posegi morate vedno odstraniti vtič iz vtičnice.

### Čiščenje brez raztopil ali abrazivnih čistil

Za čiščenje zunanosti in gumijastih delov pomivalnega stroja ne uporabljajte topil ali abrazivnih čistil. Uporabljajte samo krpo s toplo milnato vodo. Za odstranjevanje pack ali madežev s površine notranjosti stroja uporabljajte krpo, namočeno v vodo z malo kisa ali pa čistilo, posebej namenjeno za pomivalne stroje.

### Ko stroja daljše obdobje ne uporabljate

Priporočamo, da zaženete cikel pomivanja s praznim strojem, nato pa izvlčete vtič iz vtičnice, odklopite napajanje vode in pustite vrata stroja malo odprta. Na ta način bo življenjska doba tesnil vrat daljša in se bo preprečilo tvorjenje vonjav v stroju.

### Premikanje stroja

Ko morate stroj premakniti, ga skušajte obdržati na navpičnem položaju. Le če ne gre drugače, ga lahko postavite na zadnjo stran.

### Tesnila

Eden od dejavnikov, ki povzročajo slabe vonjave v pomivalnem stroju, je hrana, ki se nabira v tesnilih. Da boste preprečili slabe vonjave, jih redno čistite z vlažno gobico.

# NAVODILA ZA NAMESTITEV

## OPOZORILO!



### **Nevarnost električnega udara**

Pred namestitvijo pomivalnega stroja izklopite električno napajanje.  
Če tega navodila ne upoštevate, lahko povzročite smrt ali električni udar.

## POZOR!

Namestitev cevi in električne opreme mora opraviti za to usposobljeno osebeje.

## Priklop na električno omrežje

### OPOZORILO!

Za osebno varnost:

- Na tem stroju ne uporabljajte podaljška kabla ali adapterja.
- Nikakor ne smete prekiniti ali odstraniti povezav ozemljitvenih priključkov z električnim kablom.

### **Zahteve glede električnega napajanja**

Nazivno napetost preverite na podatkovni ploščici in priklopite pomivalni stroj na ustrezno električno napajanje. Uporabljajte varovalko 10A/13A/16A, varovalko za časovni zamik ali odklopnik, ki ga priporočamo, saj zagotavlja ločen tokokrog samo za ta stroj.

### **Priklop na električno omrežje**

Preverite, ali napetost in frekvenca električne energije odgovarjata napetosti in frekvenci, ki sta navedeni na podatkovni ploščici. Vtič le priklopite v električno vtičnico, ki je pravilno ozemljena. Če električna vtičnica, na katero mora biti stroj priklopljen, ni primerna za vtič, raje zamenjajte vtičnico, kot da bi uporabljali adapterje ali podobne naprave, saj lahko povzročijo pregretje in opekline.

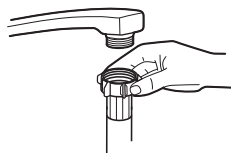
 **Pred uporabo stroja zagotovite pravilno ozemljitev.**

## Dovajanje in odvajanje vode

### **Priključek za hladno vodo**

Priključite cev za dovod mrzle vode na navojni 3/4 palčni priključek in se prepričajte, da je trdno pripeta na svoje mesto.

Če so vodovodne pipe nove ali pa jih daljši čas niste uporabljali, naj voda nekaj časa teče, da se prepričate, da je čista. Ta previdnostni ukrep je nujen, da se izognete tveganju zamašitve dovoda vode in poškodbe stroja.



Navadna napajalna cev



Varnostna napajalna cev

### **Varnostne napajalne gibljive cevi**

Varnostno gibljivo napajalno cev sestavljajo dvojne stene. Sistem gibljive cevi deluje tako, da zaustavi pretok vode v primeru okvare napajalne cevi ter takrat, ko je zračni prostor med napajalno cevjo in zunanjo valovito cevjo poln vode.

## OPOZORILO!

Cev, ki jo priklopite na odtok, lahko počí, če jo namestite na isto vodovodno cev kot pomivalni stroj. Če ima vaš odtok gibljivo cev, priporočamo, da jo odklopite in odprtino zamašite.

### Priklop varnostne napajalne cevi

1. Povlecite varnostno napajalno cev v celoti iz prostora za shranjevanje na zadnji strani pomivalnega stroja.
2. Zategnite vijake varnostne napajalne cevi do vodne pipe s 3/4 palčnim navojem.
3. Preden vklopite pomivalni stroj, odprite vodo do konca.

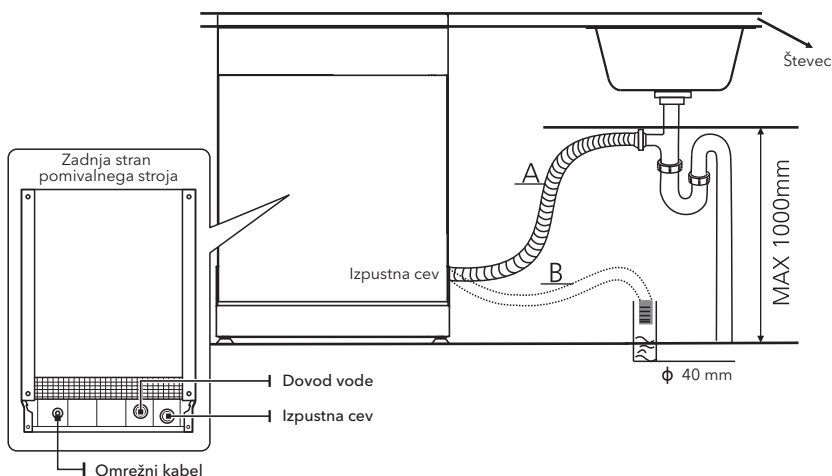
### Odklop varnostne napajalne cevi

1. Zaprite dovod vode.
2. S pipe odvijte varnostno napajalno cev.

## Priključitev odtočnih cevi

Vstavite odvodno gibljivo cev v odvodno cev s premerom najmanj 4 cm ali pa pustite, da izteka v odtok, vendar pa se ne sme upogibati ali zvijati. Višina izpustne cevi ne sme biti višja od 1000 mm. Prosti konec cevi ne sme biti potopljen v vodo, da ne bi prišlo do povratka toka.

**⚠ Prosimo, da varno pritrdite izpustno cev na položaj A ali na položaj B.**



### Izpust odvečne vode iz gibljivih cevi

Če je priključek na odtočno cev nameščen nad 1000 mm, lahko v odtočni cevi ostane odvečna voda. Odvečno vodo morate izpustiti iz cevi v posodo ali ustrezen rezervoar, ki stoji zunaj odtoka in je nižji od odtoka.

### Odtok vode

Priklopite gibljivo cev za izpust vode. Cev za izpust vode mora biti pravilno nameščena, da ne pride do iztekanja. Pazite, da cev za izpust vode ne bo zvita ali zmečkana.

### Podaljšek gibljive cevi

Če potrebujete podaljšek odvodne cevi, morate uporabljati podobno odvodno cev. Slednja ne sme biti daljša od 4 metrov, sicer bo učinek pomivanja pomivalnega stroja zmanjšan.

### Sifonski priključek

Priključek za odpadno vodo mora biti na višini, nižji od 100 cm (največ) od dna posode. Gibljivo cev za odtok vode morate pritrditi.



## Nameščanje stroja

Stroj namestite na zeleno mesto. Zadnja stran naj bo naslonjena na steno, stranici pa na sosednje omarice ali stene. Pomivalni stroj je opremljen s cevjo za dovod vode in cevjo za odvod vode. Namestite ju lahko na desno ali levo stran, da boste lažje izvedli pravilno namestitev.

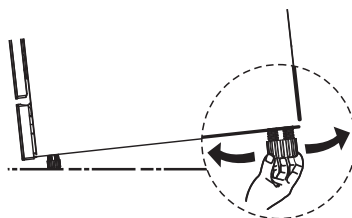
### Izravnavanje stroja

Ko je stroj nameščen in pripravljen za izravnavanje, lahko njegovo višino spreminjate s prilagajanjem ravnih privitih nogic.

Stroj se v nobenem primeru ne sme nagibati za več kot 2°.

### OPOMBA!

Velja samo za samostoječe pomivalne stroje.

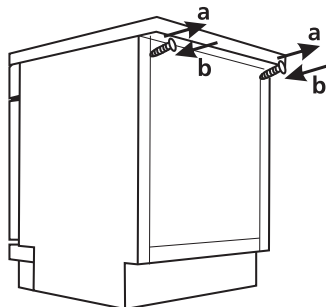
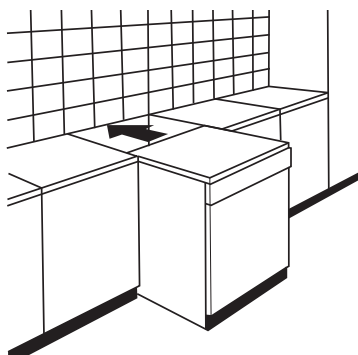


## Namestitev samostoječega stroja

### Vgradnja med obstoječe omarice

Višina pomivalnega stroja, 845 mm, je zasnovana tako, da v moderno opremljenih kuhinjah omogoča vgradnjo stroja med obstoječe omarice z enako višino. Nogice lahko nastavimo tako, da dosežemo pravilno višino.

Laminiran zgornji del stroja ne zahteva posebne nege, ker je odporen proti vročini, na praske in madeže.



### Namestitev pod obstoječim delovnim pultom

(Ko stroj vgrajujemo pod delovni pult)

Moderno opremljene kuhinje imajo en sam delovni pult, pod katerega vgradimo omarice in električne aparate. V takem primeru odstranite delovni pult pomivalnega stroja tako, da odvijete vijake pod zadnjim robom zgornje ploskve (a).

### POZOR!

Ko odstranite delovni pult, morate ponovno priviti vijake pod zadnjim robom vrha (b).

Višina se tako zniža na 815 mm, kot zahtevajo mednarodni predpisi (ISO) in pomivalni stroj lahko vstavite pod kuhinjski delovni pult.

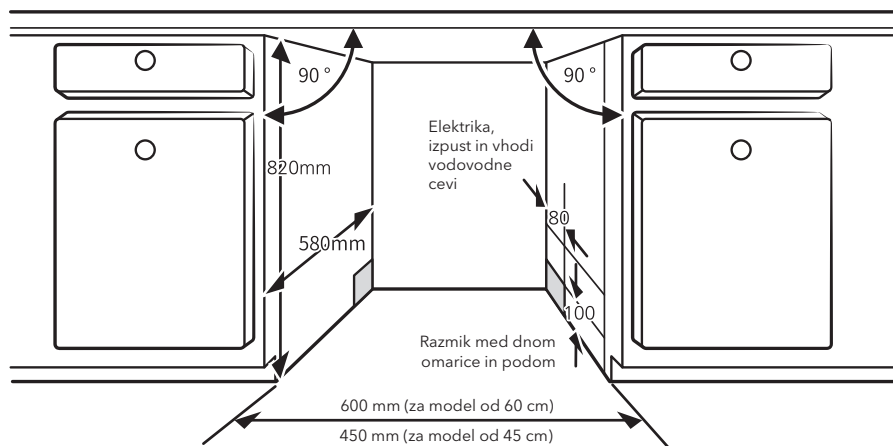
## Namestitev vgradnega stroja (za vgradni model)

### Korak 1: Izbira najboljšega mesta za pomivalni stroj

Mesto za namestitev pomivalnega stroja mora biti v bližini obstoječih gibljivih cevi za dovod in odvod vode ter blizu električnega napajanja.

Slike dimenzij omarice in slika položaja pomivalnega stroja.

1. Manj kot 5 mm med vrhom pomivalnega stroja in omarico in poravnavo zunanjih vrat z omarico.



2. Če pomivalni stroj namestite v kot omarice, morate zagotoviti nekaj prostora za odpiranje vrat.

### OPOMBA!

Morda boste morali izvrtati odprtino na nasprotni strani omarice, odvisno od mesta električne vtičnice.

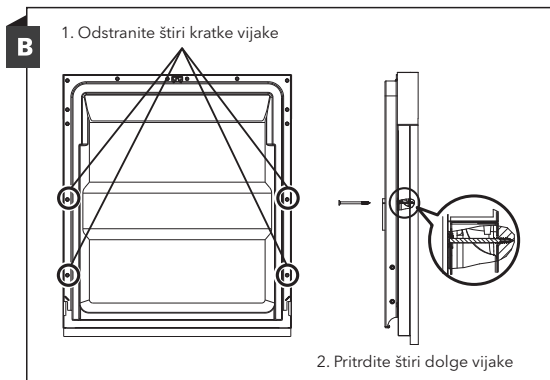
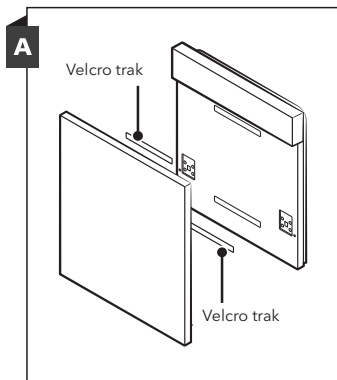
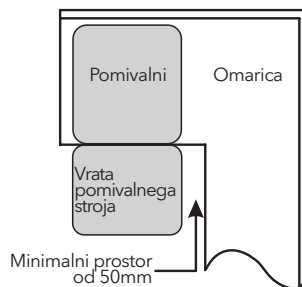
### Korak 2: Mere in nameštitev zunanje prednje plošče

### OPOMBA!

Lesena okrasna plošča se lahko obdela v skladu z načrti namestitve.

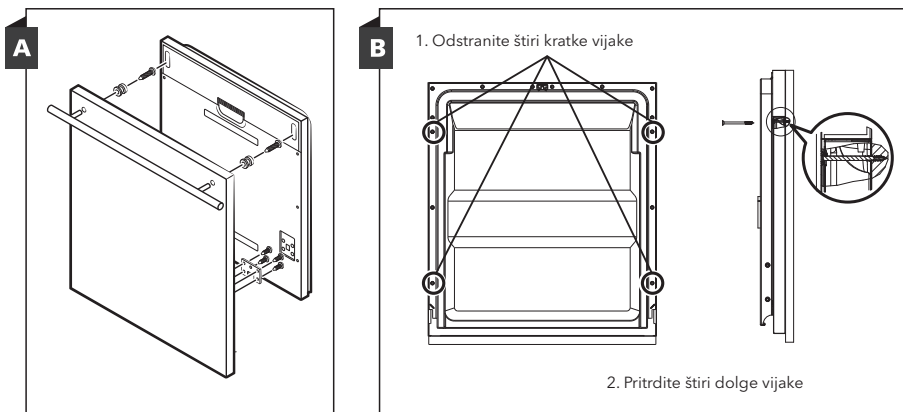
### Pol-vgradni model

Ločite velcro trak A in velcro trak B ter pritrdite velcro trak A na notranjo stran estetske plošče. Na zunanja vrata pomivalnega stroja pritrdite trak iz klobučevine B (glejte sliko A). Ko ploščo namestite, jo pritrdite v zunanja vrata z vijaki in sorniki (glej sliko B).



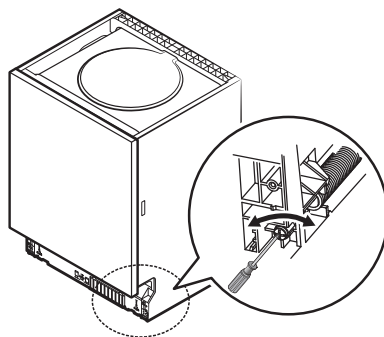
### Polno-vgradni model

Namestite kavelj na okrasno leseno ploščo in ga vstavite v režo zunanjih vrat pomivalnega stroja (glej sliko A). Ko ploščo namestite, jo pritrdite v zunanja vrata z vijaki in sorniki (glej sliko B).



### Korak 3: Nastavitev napetosti vzmeti vrat

1. Vzmeti vrat so tovarniško nastavljene na pravilno napetost zunanjih vrat. Če pa namestite leseno okrasno ploščo, morate vzmet vrat prilagoditi. Obračajte nastavitveni vijak tako, da bo nastavitveni element jekleni kabel napel ali sprostil.
2. Napetost vzmeti vrat je pravilna, ko vrata v popolnoma odprtem položaju ostanejo na pokončnem položaju, vendar pa se dvignejo z rahlim potiskom prsta.



### Korak 4: Postopki namestitve pomivalnega stroja

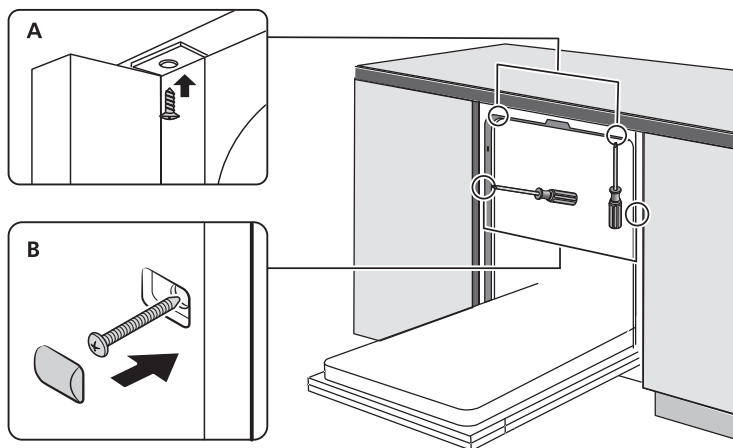
#### OPOMBA!

Prosimo, ravnajte se po natančnih napotkih in namestitvenih načrtih.

1. Pritrdite kondenzacijski trak pod delovno površino omarice. Preverite, ali je kondenzacijski trak poravnani z robom delovne površine. (Korak 2)
2. Priklopite cev za dovod mrzle vode.
3. Priklopite gibljivo odvodno cev.
4. Priklopite električni kabel.
5. Postavite pomivalni stroj na njegovo mesto. (Korak 4)
6. Izravnajte pomivalni stroj. Zadnjo nogico lahko naravnate s sprednje strani pomivalnega stroja z obračanjem izvijača na sredini podstavka pomivalnega stroja; uporabite Philipsov izvijač. Za uravnavo sprednjih nogic uporabite ploščati izvijač in sprednje nogice obračajte, dokler stroj ne bo izravnani. (koraka 5 do 6)
7. Namestite vrata pohošča na zunanja vrata pomivalnega stroja. (koraki 7 do 10)
8. Uravnajte napetost vzmeti vrat z obračanjem šestrobne imbus vijaka v smeri urnega kazalca in tako zategnite levo in desno vzmet vrat. Če tega ne naredite, se vaš pomivalni stroj lahko poškoduje. (Korak 11)
9. Pomivalni stroj mora biti pritrjen na svojem mestu. Za to obstajata dva načina:
  - A. Normalna delovna površina: položite namestitveni kavelj v režo stranice in ga z lesenimi vijaki varno pritrdite na delovno površino.
  - B. Marmorna ali granitna delovna površina: pritrdite stranice z vijaki.

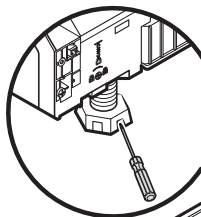
### Korak 5. Izravnava pomivalnega stroja

Pomivalni stroj mora biti izravnani, da bodo police za posodo pravilno nameščene in da bo pomivanje delovalo pravilno.

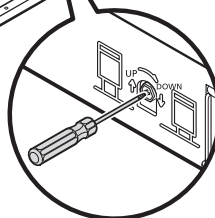
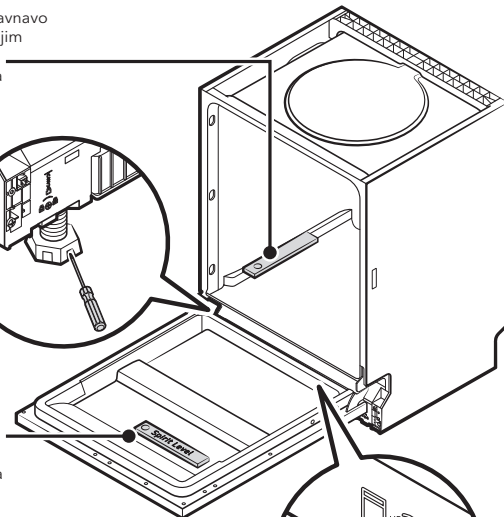


1. Da preverite, ali je stroj izravnán, položite vodno tehtnico na vrata in vodilo police znotraj korita, kot je prikazano spodaj.
2. Izravnajte pomivalni stroj z nastavljanjem vsake od treh izravnalnih nogic posebej.
3. Pri izravnavanju pomivalnega stroja pazite, da se stroj ne prevrne.

Preverite izravnávo med sprednjim in zadnjim delom stroja



Preverite izravnávo med levim in desnim delom stroja



### OPOMBA!

Največja nastavljiva višina noge je 50 mm.

# NAPOTKI ZA ODPRAVLJANJE NAPAK

## Preden pokličete serviserja

Pregled tabel na naslednjih straneh vam bo morda pomagal, da boste rešili težavo sami, brez serviserja.

Težava	Možni vzrok	Kaj storiti
Pomivalni stroj se ne zažene.	Pregorela je varovalka ali pa se je prekinil tokokrog.	Zamenjajte varovalko ali ponovno vzpostavite tokokrog. Odstranite vse druge naprave, priključene na isti tokokrog s pomivalnim strojem.
	Električno napajanje ni vklopljeno.	Preverite, ali je pomivalni stroj vklopljen in ali so vrata varno zaprta. Preverite, ali je električni kabel pravilno vklopljen v zidno vtičnico.
	Plak vode je nizek.	Preverite, ali je napajanje z vodo pravilno priključeno in ali je voda odprta.
	Vrata pomivalnega stroja niso pravilno zaprta.	Pravilno zaprite vrata z zapahom.
Voda se ne črpa iz pomivalnega stroja.	Zavita ali preščipnjena izpustna cev.	Preverite izpustno cev.
	Zamašen filter.	Preverite filtrirni sistem.
	Zamašen kuhinjski odtok.	Preverite, ali izpust v kuhinjskem odtoku v redu deluje. Če je težava v tem, da kuhinjski odtok ne izpušča vode, raje pokličite vodovodnega inštalaterja kot serviserja pomivalnih strojev.
Milnica v posodi.	Nepravi detergent.	Uporabljajte samo detergent, posebej namenjen za pomivalni stroj, ki ne tvori milnice. Če se tvori pena, odprite pomivalni stroj, da milnica izpari. Vlijte 1 liter mrzle vode na dno pomivalnega stroja. Zaprite vrata pomivalnega stroja, nato pa izberite cikel. Na začetku bo pomivalni stroj izpuščal vodo. Po končanem izpustu odprite vrata in preverite, ali je milnica izginila. Če je treba, ponovite.
	Razlito sredstvo za izpiranje.	Razlito sredstvo za izpiranje morate takoj obrisati.
Madeži v notranjosti korita.	Morda ste uporabljali detergent z barvilom.	Preverite, ali je detergentu dodano barvilo.
Bel sloj na notranji površini.	Trdi minerali v vodi.	Za čiščenje notranjosti uporabite vlažno gobico z detergentom za pomivalni stroj, pri tem pa nosite gumijaste rokavice. Nikoli ne uporabljajte drugega čistila kot detergent za pomivalni stroj, sicer se lahko tvorijo pene ali milnica.
Na jedilnem priboru so rjasti madeži.	Pribor ni odporen proti rjavenju.	V pomivalnem stroju ne pomivajte pribora, ki ni odporen proti rjavenju.
	Po dodajanju soli za pomivalni stroj niste zagnali programa. Sledi soli so prišle v pomivalni cikel.	Po dodajanju soli vedno zaženite program brez posode. Po dodajanju soli ne izberite funkcije Turbo (če jo imate).
	Pokrovček mehčalca je majav.	Preverite, ali je pokrovček mehčalca varno pritrjen.
V pomivalnem stroju se sliši trkajoč zvok.	Pršilka zadeva ob posodo ali košaro.	Prekinite program in ponovno namestite posodo, ki ovira pršilko.

Težava	Možni vzrok	Kaj storiti
V pomivalnem stroju se sliši žvenketanje.	Posode v pomivalnem stroju se majejo.	Prekinite program in ponovno namestite posodo.
Trkajoč zvok v vodovodnih ceveh.	To lahko povzroči nameščanje na licu mestu ali pa preraz cevovoda.	To ne vpliva na delovanje pomivalnega stroja. Če o tem niste prepričani, naj težavo reši usposobljen vodovodni inštalater.
Posoda ni čista.	Posoda ni pravilno naložena.	Glej DEL II, »Priprava in nalaganje posode«.
	Program ni bil dovolj zmogljiv.	Izberite bolj intenziven program.
	Ni bilo dovolj odmerjenega detergenta.	Uporabite več detergenta ali pa zamenjajte detergent.
	Posoda ovira premikanje pršilk.	Ponovno naložite posodo tako, da bodo pršilke lahko prosto krožile.
	Sklop filtrov ni čist ali pa trenutno ni pravilno nameščen v podstavek pomivalne omarice. To je lahko vzrok, da so pršilke ovirane.	Očistite in/ali pravilno namestite filtre. Očistite šobe pršilk.
Orošena steklena posoda.	Kombinacija mehke vode in preveč detergenta.	Če imate mehko vodo, uporabljajte manj detergenta in izberite krajši cikel za pranje steklene posode, da bo slednja čista.
Na posodi in na kozarcih se pojavljajo beli madeži.	Trda voda lahko povzroči nalaganje vodnega kamna.	Preverite nastavitve mehčalca vode ali ga napolnite stanje posode za sol.
Črne ali sive lise na posodi.	Ob posodo so se drgnili aluminijasti kuhinjski pripomočki.	Uporabljajte blago abrazivno čistilo, da odstranite te lise.
V odmerniku ostaja detergent.	Posoda ovira odmernik detergenta.	Ponovno pravilno naložite posodo.
Posoda se ne suši.	Neppravilno nalaganje.	Če lahko ostanek detergenta, uporabite rokavice najdemo na posodi, da se izognemo koži.
	Posoda se prehitro odstrani.	Ne izpraznite pomivalnega stroja takoj po končanem pomivanju. Rahlo odprite vrata, da bo para lahko uhajala ven. Posodo vzemite ven, ko se notranja temperatura zniža in se posode lahko dotikate. Najprej razložite spodnjo košaro, da nanjo ne bo kapljala voda iz zgornje košare.
	Izbrali ste napačen program.	Pri kratkem programu je pomivalna temperatura nižja, kar znižuje zmogljivost čiščenja. Izberite program z daljšim časom pomivanja.
	Uporaba jedilnega pribora z nizko kakovostjo premaza.	Pri taki posodi je izpust vode težji. Jedilni pribor in posoda te vrste niso primerni za pomivanje v pomivalnem stroju.

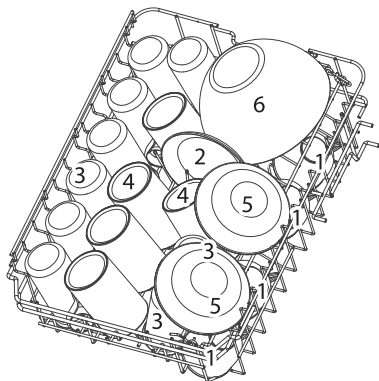
**OPOZORILO!**

Samopopravila ali nepoklicna popravila lahko povzročijo resna tveganja za varnost uporabnika naprave in vplivajo na garancijo.

# ZLAGANJE POSODE V KOŠARE V SKLADU Z EN60436

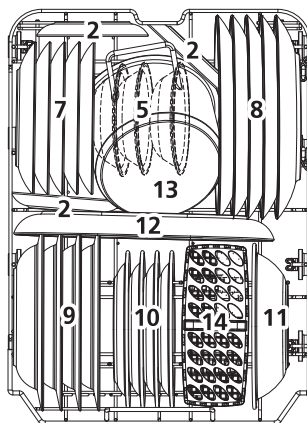
Nalaganje pomivalnega stroja na polno zmogljivost bo prispevalo k prihranku energije in vode.

## 1. Zgornja košara:



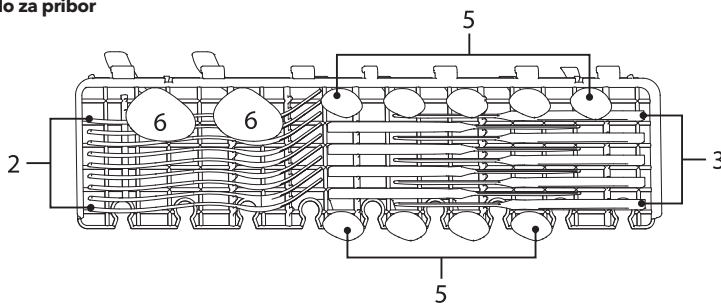
Številka	Posoda
1	Šalice
2	Krožnički
3	Kozarci
4	Šalice
5	Posodice za sladice
6	Steklena posoda

## 2. Spodnja košara:



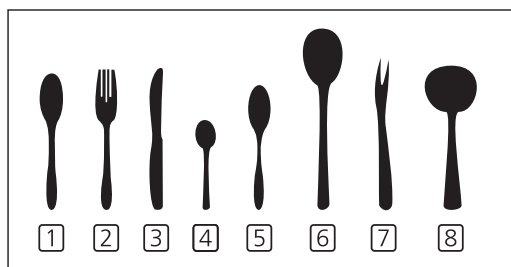
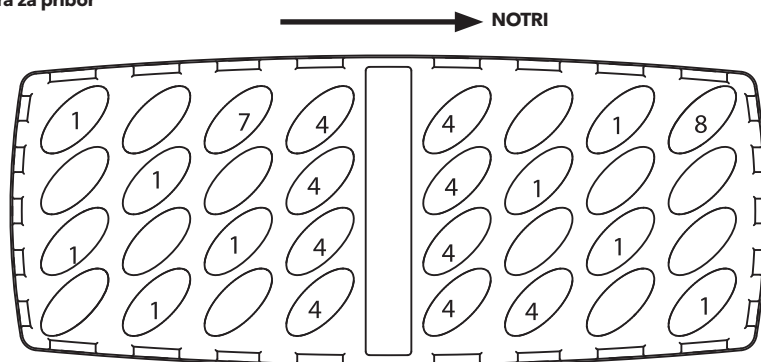
Številka	Posoda
7	Desertni krožniki
8	Krožniki
9	Jušni krožniki
10	Desertni krožniki iz melamina
11	Skleda iz melamine
12	Ovalni krožnik
13	Majhen lonec
14	Košara za jedilni pribor

### 3. Stojalo za pribor



**OPOMBA!** Na polico lahko položite raven, lahek pribor. Največja obremenitvena teža je 1,5 kg.

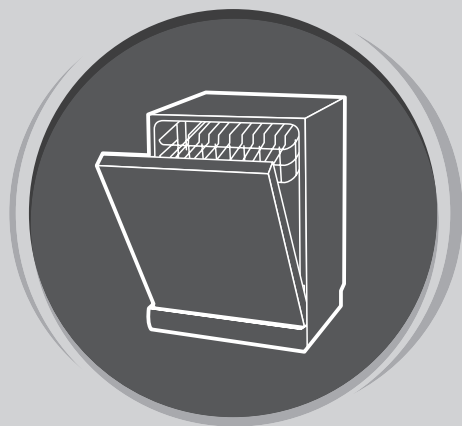
### 4. Košara za pribor



Številka	Posoda
1	Jušne žlice
2	Vilice
3	Noži
4	Čajne žličke
5	Desertna žlica
6	Servirne žlice
7	Servirne vilice
8	Žlice za omako

Informacije o testu za primerljivost so podane v skladu s standardom EN60436  
 Kapaciteta: 9 pogrinjkov  
 Položaj zgornje košare: spodnji položaj  
 Program: ECO  
 Količina dodanega sredstva za izpiranje: MAX  
 Nastavitev naprave za mehčanje: H3





# POMIVALNI STROJ

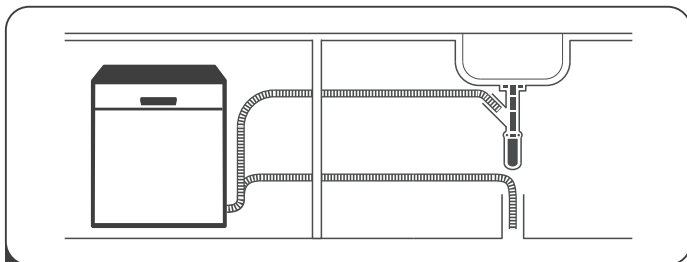
Priročnik  
za uporabo

**DEL II: POSEBNA  
RAZLIČICA  
WDI461M**

Pred uporabo pazljivo preberite ta navodila za uporabo pomivalnega stroja in jih shranite za poznejšo uporabo.

# HITRA NAVODILA ZA UPORABO

Prosimo, preberite zadevno vsebino v Navodilih za uporabo, kjer so podrobnejši opisi načinov delovanja.

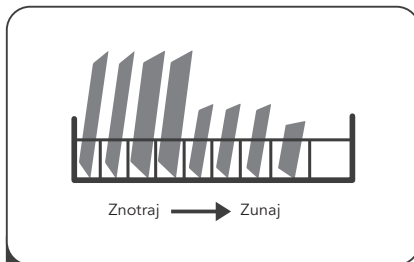


**1** Namestite pomivalni stroj.

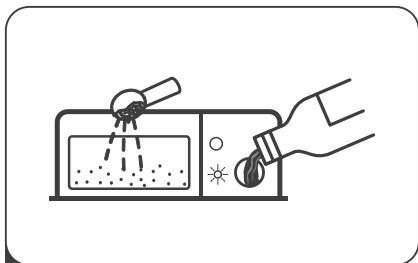
**(Preberite poglavje 5 NAVODILA ZA NAMESTITEV v delu I: Osnovna različica.)**



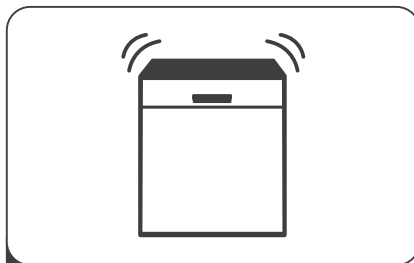
**2** Odstranite večje kose umazanije iz posode. Izogibajte se predpranja.



**3** Naložite košaro



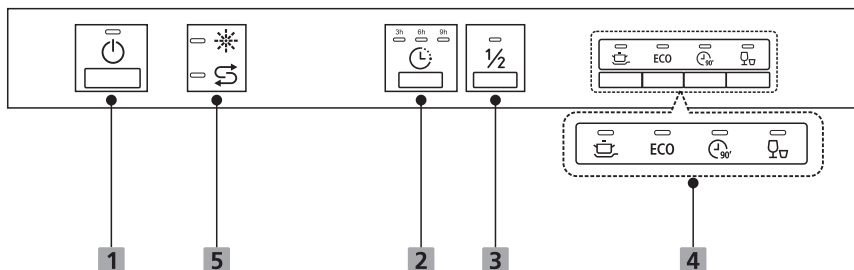
**4** Napolnite odmernik z detergentom in sredstvom za izpiranje.



**5** Izberite zeleni program in zaženite pomivalni stroj.

# UPORABA POMIVALNEGA STROJA

## Krmilna plošča



### Delovanje (Gumb)

**1** Vkllop Pritisnite na gumb za vklop pomivalnega stroja.

**2** Zamik S pritiskom na gumb nastavite čas zamika.

**3** Polovična obremenitev Ko morate pomiti okoli 6 pogrinjkov ali manj, lahko izberete to funkcijo, s katero varčujete z energijo in vodo. (Lahko jo uporabljate samo z intenzivnim, ECO, in 90 minutnim programom)

Izberite ustrezen program pomivanja, indikator izbranega programa zasveti.



#### Intenzivno pomivanje

Za zelo umazano posodo, ki vključuje lonce in ponve ter posodo z zasušeno hrano.



#### ECO

To je standardni program, primeren za pomivanje normalno umazane posode, ki vključuje lonce, krožnike, kozarce in manj umazano posodo.



#### 90 Min

Za normalno umazano posodo, ki jo želite hitro pomiti.



#### Hitri program

Krajše pomivanje za manj umazano posodo, ki je ni treba sušiti.

### Prikaz

**5** Opozorilna signalna lučka



#### Sredstvo za izpiranje

Če sveti indikator ☼, pomeni, da v pomivalnem stroju zmanjkuje sredstva za izpiranje posode, ki ga morate doliti.



#### Sol

Če sveti indikator ↻, pomeni, da v pomivalnem stroju zmanjkuje soli in jo je treba dodati.

## Mehčalec vode

Mehčalec vode morate nastaviti ročno z uporabo merilnika trdote vode.

Mehčalec vode je namenjen odstranjevanju mineralov in soli iz vode, ki bi imeli škodljiv ali nasproten učinek na delovanje stroja.

Več kot je mineralov v vodi, večja je trdota vode.

Mehčalec morate prilagajati glede na trdoto vode na svojem območju. Svoj lokalni upravljavec vodnih virov vam lahko svetuje glede trdote vode na vašem območju.

### Nastavitev porabe soli

Pomivalni stroj je zasnovan tako, da omogoča nastavljanje količine soli, ki jo stroj porabi na osnovi trdote uporabljene vode. Nastavitev je namenjena optimizaciji in prilagajanju ravni porabe soli.

Pri nastavljanju porabe soli postopajte, kot sledi.

1. Vključite stroj.
2. Pritisnite na gumb Rapid in ga držite več kot 5 sekund, da zaženete nastavljen model mehčalca soli v času 60 sekund po vklopu stroja.
3. Pritisnite na gumb za Hitri program za izbiro pravilne nastavitve v skladu z svojim lokalnim okoljem. Nastavitve se bodo spreminjale v naslednjem zaporedju: H3->H4->H5->H6->H1->H2->H3;
4. Pritisnite na električni gumb za Vključ, da zaključite nastavljen program.

TRDOTA VODE				Raven vodnega mehčalca	Regeneracija se odvija vsak X program <sup>1)</sup>	Poraba soli (gram/cikel)
Nemško °dH	Francosko °fH	Angleško ° Klarkov	Mmol/l			
0 - 5	0 - 9	0 - 6	0 - 0.94	H1->Rapid lučka sveti	Brez	0
6 - 11	10 - 20	7 - 14	1.0 - 2.0	H2->90 min lučka sveti	10	9
12 - 17	21 - 30	15 - 21	2.1 - 3.0	H3->90 min, Rapid lučka svetita	5	12
18 - 22	31 - 40	22 - 28	3.1 - 4.0	H4->ECO lučka sveti	3	20
23 - 34	41 - 60	29 - 42	4.1 - 6.0	H5->ECO, Rapid lučki svetita	2	30
35 - 55	61 - 98	43 - 69	6.1 - 9.8	H6->ECO, 90 min lučki svetita	1	60

1°dH=1.25 °Clarke=1.78 °fH=0.178mmol/l ° fH=0.178mmol/l

Tovarniške nastavitve: H3

Vaš lokalni upravljavec oskrbe z vodo naj vam pove, kakšno trdoto ima voda iz vašega vira napajanja.

<sup>1)</sup>Vsak cikel z regeneracijo porabi dodatna dva litra vode, poraba energije se poveša za 0.02 kWh in program se podaljša za 4 minute.

### OPOMBA!

Prosimo, preberite Poglavlje 3, »Polnjenje soli v mehčalec«, DEL I: Osnovna različica - Če v vašem pomivalnem stroju ni dovolj soli.

### OPOMBA!

**Če vaš model ne potrebuje mehčalca vode, lahko ta odstavek spustite.**

### Mehčalec vode

Trdota vode se razlikuje od kraja do kraja. Če v pomivalnem stroju uporabljate trdo vodo, se bo na posodi in priboru nalagala usedlina. Pomivalni stroj je opremljen s posebnim mehčalcem, ki uporablja poseben vsebnik soli, zasnovan tako, da se iz vode izločajo apno in minerali.

## Priprava in nalaganje posode

- Razmislite o nakupu posode, ki je primerna za pomivalni stroj.
- Za določene pripomočke izberite program z najnižjo možno temperaturo.
- Ne jemljite steklene posode in jedilnega pribora iz stroja takoj po zaključku programa, da ne pride do poškodb.

### Za pomivanje naslednjega jedilnega pribora/posode

#### Niso primerni:

- Jedilni pribor z ročaji iz lesa, roževine, ali biserovine;
- Plastični predmeti, ki niso odporni na vročino
- Starejši jedilni pribor z lepljenimi deli, ki niso odporni na temperaturo
- Lepljen jedilni pribor ali posoda
- Kositrni ali bakreni predmeti
- Kristalno steklo
- Jekleni predmeti, ki rjavijo
- Leseni pladnji
- Predmeti iz sintetičnih vlaken

#### Delno primerni:

- Nekaterе vrste kozarcev lahko po večjem številu pomivanja postanejo motni.
- Srebrni in aluminijasti deli se lahko med pomivanjem razbarvajo.
- Glazirani vzorci lahko zbledijo, če se pogosto pomivajo v stroju.

### Priporočila za nalaganje v pomivalni stroj

Postrgajte vse večje količine preostanka hrane. Zmehčajte ostanke zažgane hrane v ponvah. Posode ni treba izpirati pod tekočo vodo.

Pomivalni stroj bo najbolj učinkovito deloval, če boste upoštevali naslednje napotke o nalaganju.

#### (Lastnosti in videz košar in košarice za jedilni pribor se lahko razlikujejo od vašega modela.)

Posodo položite v pomivalni stroj na naslednji način:

- Posodo, kot so skodelice, kozarci, lonci/ponve, itd., položite tako, da gleda navzdol.
- Zaobljeno posodo ali posodo z odprtinami naložite povprek, tako da lahko voda kroži okoli njih.
- Vsi pripomočki so varno zloženi in se ne morejo prevrniti.
- Vsi pripomočki so položeni tako, da se lahko pršilki med pomivanjem prosto vrta.
- Votle posode, kot so skodelice, kozarci, ponve, itd., naložite tako, da bo odprtina gledala navzdol in se voda ne bo mogla zbirati v njih ali v globokem podstavku.
- Posode in jedilni pribor ne smejo ležati ena v drugi, prav tako se ne smejo prekrivati.
- Kozarci se ne smejo dotikati, da se ne poškodujejo.
- Zgornja košara je namenjena bolj občutljivi in lažji posodi, kot so kozarci ter skodelice za kavo in čaj.
- Noži z dolgimi rezili, ki so naloženi v pokončnem položaju, so potencialno nevarni!
- Dolgi in / ali ostri kosi jedilnega pribora, kot so noži za razkosanje, morajo biti položeni vodoravno na zgornji košari.
- Pomivalnega stroja ne smete preveč obremeniti. To je pomembno, ker boste tako dosegli dobre rezultate in manjšo porabo energije.

### OPOMBA!

Zelo majhnih kosov ne pomivajte v stroju, ker lahko zlahka padejo iz košare.

### Odstranjevanje posode

Da preprečite kapljanje vode iz zgornje košare v spodnjo košaro, priporočamo, da najprej izpraznite spodnjo košaro, zatem pa še zgornjo košaro.

### OPOZORILO!



**Predmeti so vroči!** Ne jemljite steklene posode in jedilnega pribora iz stroja takoj, počakajte še približno 15 minut po zaključku programa, da ne pride do poškodb.

### Nalaganje na zgornjo košaro

Zgornja košara je namenjena bolj občutljivi in lažji posodi, kot so kozarci in skodelice za kavo in čaj ter krožnički, kot tudi krožniki, majhne skodele in plitve ponve (če le niso preveč umazane). Položite pogrinjke in posodo za kuhanje tako, da jih curki vode ne bodo premikali.



### Nalaganje na spodnjo košaro

Predlagamo, da položite večje kose in kose, ki jih je težje pomiti, v spodnjo košaro: lonce, ponve, pokrovke, servirne posode in skodele, kot to kaže slika. Najbolje je, da položite servirne posode in pokrovke ob strani košar, da ne bodo ovirali vrtenja zgornje pršilke.

Največji priporočljiv premer krožnikov, ki jih lahko položite pred odmernik detergenta in da krožniki ne bodo ovirali odpiranja odmernika, je okoli 19 cm.



### Nalaganje v košarico za jedilni pribor

Jedilni pribor morate položiti v predelek za jedilni pribor, ločeno eden od drugega, na ustreznem položaju. Pazite, da posoda ne bo nameščena preveč tesno skupaj, ker bi sicer bila slabo pomita.



#### OPOZORILO!



Ne dopustite, da bi kateri koli predmet segal skozi dno. Vedno naložite ostre pripomočke z ostro konico navzdol!



#### OPOMBA!

Najboljši učinek pomivanja dosežete, če naložite košari v skladu z običajnimi načini nalaganja, opisanimi v zadnjem poglavju, DEL I: Osnovna različica.

## Funkcija sredstva za izpiranje in detergenta

Sredstvo za izpiranje se sprošča med zadnjim splakovanjem in tako preprečuje, da bi voda tvorila kapljice na vaši posodi; kapljice pa za sabo puščajo madeže in črte. Po uporabi sredstva za izpiranje se posoda bolje suši, ker voda lahko kroži okoli nje. Vaš pomivalni stroj je zasnovan za uporabo tekočih sredstev za izpiranje.




#### OPOZORILO!

Za pomivalni stroj vedno uporabljajte sredstvo za izpiranje dobre blagovne znamke. Nikoli ne polnite odmernika sredstva za izpiranje z drugimi sredstvi (na primer čistilom, tekočim detergentom). S temi sredstvi lahko poškodujete stroj.

### Kdaj dolivamo sredstvo za izpiranje v odmernik

Pogostost dolivanja sredstva za izpiranje posode je odvisna od pogostosti pomivanja posode in od nastavitve stopnje uporabe sredstva za izpiranje.

Če sveti kazalnik (  ) to pomeni, da v pomivalnem stroju zmanjkuje sredstva za izpiranje posode, ki ga morate doliti. Bodite pozorni da ne dodajate preveč sredstva za izpiranje v odmernik.

### Funkcija detergenta

Kemične sestavine, ki sestavljajo detergent, so potrebne za odstranjevanje, drobljenje in odvajanje vse umazanije iz pomivalnega stroja. Večina kakovostnih trgovskih detergentov je primernih za ta namen.



#### OPOZORILO!

#### Pravilna uporaba detergenta

Uporabljajte samo detergent, narejen posebej za uporabo v pomivalnem stroju. Detergent hranite tako, da bo ostal svež in suh.

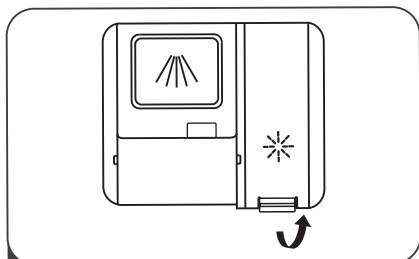
Ne napolnite detergenta v odmernik dokler niste pripvaljeni na zagon pomivalnega stroja.



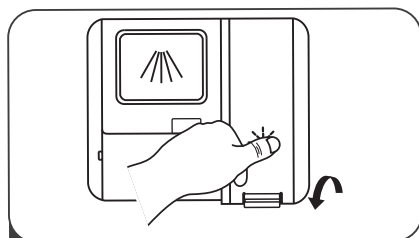
**Detergent za pomivalni stroj je koroziven!**

**Detergenta za pomivalni stroj ne smete hraniti na mestu, kjer ga otroci lahko dosežejo**

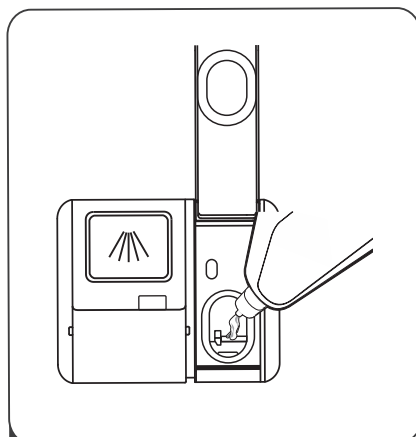
## Polnjenje posodice za sredstvo za izpiranje



- 1** Odprite pokrov posodice za sredstvo za izpiranje tako, da dvignete ročaj.



- 3** Zaprite pokrov.



- 2** Sredstvo za izpiranje vlijite v razpršilnik. Pazite da ga ne napolnite preveč.

### Nastavitev sredstva za izpiranje

To achieve a better Drying performance with limited Izpiranje aid, the dishwasher is designed to adjust the consumption by user. Follow the below steps.

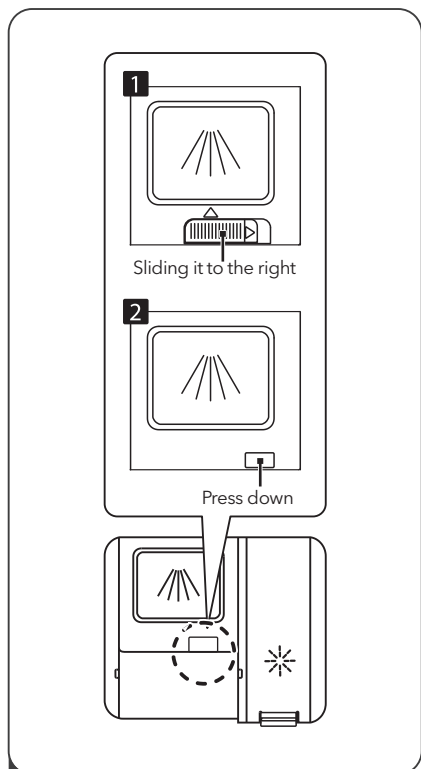
1. Odprite vrata pomivalnega stroja in vklopite aparat.
2. Največ 60 sekund po vklopu aparata pritisnite tipko za Hitri program, in nato pritisnite gum za Zamik, da začnete nastavitve. Simbol za sredstvo za izpiranje začne utripati.
3. Pritisnite tipko za Hitri program, da izberete, ustrežno nastavitev glede na vaše potrebe. Nastavitve se bodo spreminjale po naslednjem vrstnem redu: D1->D2->D3->D4->D5->D1. Višja kot je številka, več sredstva za izpiranje bo pomivalni stroj uporabil.
4. Prisnite gumb za Vklop aparata, za izhod iz nastavitve.

#### Stopnja sredstva za izpiranje

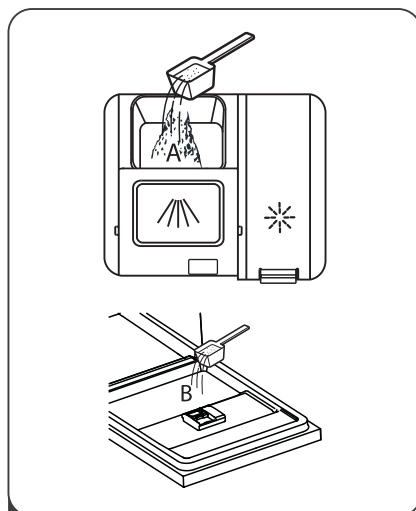
#### Prikaz

D1	D1-> Osvetljen Hitri program
D2	D2-> Osvetljen 90 minutni program
D3	D3-> Osvetljen Hitri 90 minutni program
D4	D4-> Osvetljen ECO program
D5	D5-> Osvetljen Hitri ECO program.

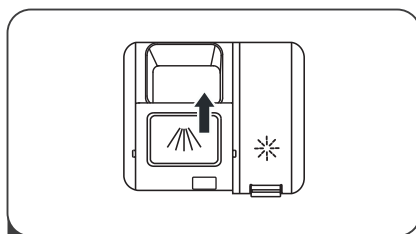
## Polnjenje posode za detergent



- 1 Prosimo, izberite način odpiranja glede na dejansko stanje.
1. Odprite zavihek, tako da potisnete sprostitveni zatič.
  2. Odprite zavihek tako da pritisnete sprostitveni zatič.



- 2 Dodajte priporočeno količino detergenta v glavni predal (A). Za najboljše rezultate je priporočljivo dodajanje še dodatne dozice detergenta direktno na vrata, še posebej če imate veliko zelo umazane posode. Dodatni detergent bo uporabljen v pred-pralni fazi.



- 3 Zaprite zavihek tako, da ga potisnete naprej in pritisnete navzdol, da se zaklene.

**OPOMBA!**

- Ne pozabite, da je nastavev lahko različna glede na čistost vode.
- Upoštevajte priporočila proizvajalca glede embalaže detergenta.






# PROGRAMIRANJE POMIVALNEGA STROJA

## Tabela ciklov pomivanja

V spodnji tabeli so navedeni programi, ki so najbolj ustrezni za različne stopnje ostankov hrane in potrebne količine detergenta. Tabela prav tako vsebuje različne podatke o programih. Vrednosti, dane za programe, ki niso ekološki, so samo okvirne.

● To pomeni: v odmernik sredstva za izpiranje je treba dodati sredstvo za izpiranje.

Program	Opis cikla	Detergent predpranje/ glavno pranje	Čas delovanja (min)	Energija (kWh)	Voda (L)	Sredstvo za izpiranje
 <b>Intenzivni program</b>	Predpranje (50°C)					
	Pranje (65°C)					
	Izpiranje	4/13 g	205	1.378	15.3	●
	Izpiranje (65°C)	(1 ili 2 komada)				
	Sušenje					
<b>ECO</b> (*EN 60436)	Pranje (45°C)					
	Izpiranje	17 g	235	0.704	9.0	●
	Izpiranje (55°C)					
	Sušenje					
 <b>90 Min</b>	Pranje (60°C)					
	Izpiranje	17 g	90	1.234	10.2	●
	Izpiranje (65°C)	(1 2 komad)				
	Sušenje					
 <b>Hitri program</b>	Pranje (50°C)					
	Izpiranje	12 g	30	0.611	10.0	○
	Izpiranje (45°C)					



### ECO (\*EN 60436)

Eko program je primeren za čiščenje normalno umazane namizne posode, saj je za to uporabo najučinkovitejši program glede njegove kombinirane porabe energije in vode ter se uporablja za oceno skladnosti z zakonodajo EU o okoljskem oblikovanju.

## Varčevanje energije

1. Predpranje namiznega pribora vodi do večje porabe vode in energije in posledično ni priporočljivo.
2. Pranje namiznega pribora v gospodinjskem pomivalnem stroju ponavadi porabi manj energije in vode v fazi uporabe kot ročno pomivanje posode, če gospodinjski pomivalni stroj uporabljate v skladu z navodili proizvajalca.

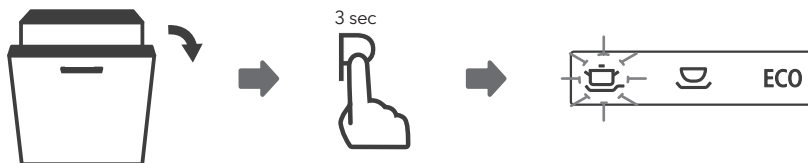
## Zagon cikla pomivanja

1. Izvlecite spodnjo in zgornjo košaro, naložite posodo in ju potisnite nazaj. Priporočamo, da najprej naložite spodnjo košaro, nato pa še zgornjo.
2. Nalijte detergent.
3. Vstavite vtič v vtičnico. Podatek o električnem napajanju je na zadnji strani poglavja »Podatkovna kartica o izdelku«. Prepričajte se, da je napajanje z vodo odprto s polnim pritiskom.
4. Odprite vrata, pritisnite na gumb za vklop in lučka za vklop/izklop se bo prižgala.
5. Izberite program in odgovarjajoča označevalna lučka zasveti. Nato pritisnite na gumb Start/Pavza in cikel pomivanja se začne.

## Spreminjanje programa med ciklom

Cikel pomivanja lahko spremenite samo, če teče kratek čas, sicer se detergent lahko že sprosti in iz pomivalnega stroja že odteka odpadna voda. V tem primeru morate pomivalni stroj ponovno nastaviti in doliti detergent v odmernik. Pomivalni stroj ponovno nastavite po spodnjih navodilih:

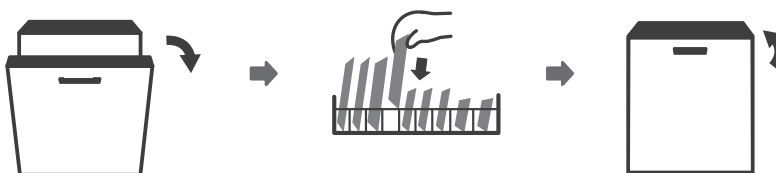
1. Odprite vrata le malo, da pomivalni stroj preneha delovati. Po tem, ko so prenehale delovati pršilke, lahko vrata popolnoma odprete.
2. Pritisnite katerikoli gumb Program in ga držite več kot 3 sekunde - v način izbiranja cikla (stanje pripravljenosti).
3. Program lahko spremenite na želeno nastavev cikla.



## Ste pozabili naložiti kos posode?

Če ste pozabili dodati kakšen kos posode, ga lahko dodate v času, preden se odpre odmernik detergenta. V tem primeru postopajte po spodnjih navodilih:

1. Odprite vrata le malo, da pomivalni stroj preneha delovati.
2. Po tem, ko so prenehale delovati pršilke, lahko vrata popolnoma odprete.
3. Dodajte v stroj pozabljeno posodo.
4. Zaprite vrata.
5. Pomivalni stroj bo ponovno začel delovati.



### OPOZORILO!



Sredi cikla je nevarno odpirati vrata, ker vas vroča para lahko popari.

# KODE NAPAK

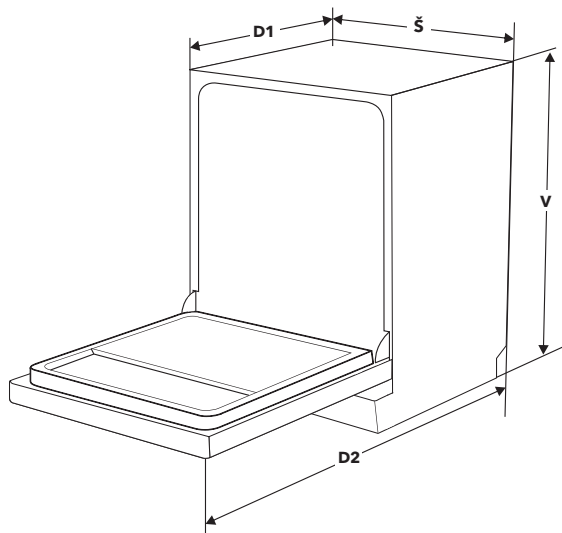
V primeru slabega delovanja pomivalni stroj prikaže kode napak, da jih identificira:

Kode	Pomen	Možni vzroki
Slabo utripajoča označevalna lučka hitrega programa.	Daljši vstopni čas.	Pipa ni odprta ali je dovod vode oviran ali pa je tlak vode prenizek.
Slabo utripajoča označevalna lučka za hitri program in za 90 min program.	Zahtevana temperatura ni dosežena.	Slabo delovanje grelnika.
Slabo utripajoča označevalna lučka ECO programa.	Prelivanje.	Eden od elementov pomivalnega stroja pušča.
Medlo utripanje lučke ECO, Hitrega in Intenzivnega pomivanja	Napaka pri komunikaciji med glavnim in zaslonskim tiskanim vezjem	Odprt tokokrog ali pretrgana žica za komunikacijo.

## OPOZORILO!

- Če pride do prelivanja, zaprite glavni dovod vode, preden pokličete serviserja.
- Če je v pladnju podstavka voda zaradi prelivanja ali manjšega iztekanja, morate vodo odstraniti, preden ponovno zaženete pomivalni stroj.
- Če se pojavi koda napake, ki je ne morete rešiti se prosimo obrnite na profesionalni servis.

# TEHNIČNI PODATKI



<b>Visina (V)</b>	815mm
<b>Širina (Š)</b>	448mm
<b>Globina (D1)</b>	550mm (z zaprtimi vrati)
<b>Globina (D2)</b>	1150mm (z odprtimi vrati 90°)

## Podatkovna kartica izdelka (EN60436)

**Ime ali blagovna znamka:** Tesla

**Supplier's address (b):**

**Model identifier:** WDI461M

**Splošni parametri izdelka:**

Parameter	Vrednost	Parameter	Vrednost	
Nazivna zmogljivost (a) (ps)	9	Dimenzije v cm	Višina	82
			Širina	45
			Globina	55
EEl (a)	55,9	Razred energijske učinkovitosti (a)	E (c)	
Indeks učinkovitosti čiščenja (a)	1,125	Indeks učinkovitosti sušenja (a)	1,065	
Poraba energije v kWh [po ciklu], na podlagi Eco programa s hladno vodo. Dejanska poraba energije je odvisna od načina uporabe.	0,704	Poraba vode v litrih [po ciklu], na podlagi Eco programa. Dejanska poraba vode je odvisna od načina uporabe in od trdote vode.	9,0	
Trajanje programa (a) (h:min)	3:55	Tip	Vgrajeno	
Emisije hrupa (a) (dB(A) re 1 pW)	49	Razred emisij akustičnega hrupa, ki se prenaša po zraku (a)	C (c)	
Način izklopa (W)	0,49	Način pripravljenosti (W)	N/A	
Odloženi zagon (W) (če je na voljo)	1,00	Omrežni način (W) (če je na voljo)	N/A	

**Minimalno trajanje garancije proizvajalca (b):**

**Dodatne informacije:**

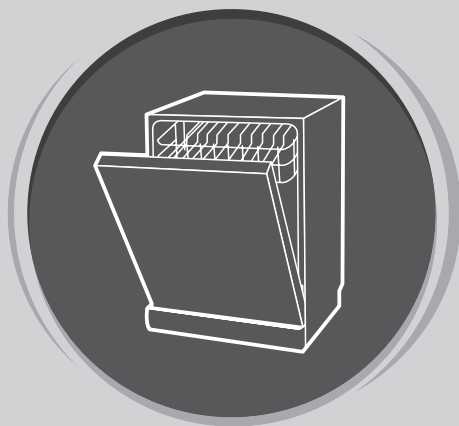
Spletna povezava na stran proizvajalca, kjer se nahajajo informacije, v skladu s točko 6 of Aneksa II to Direktive Komisije (EU) 2019/2022 (1) (b):

(a) Za Eco program.

(b) Spremembe teh vrednosti se ne smatrajo za relevantnim v smislu 4. Odstavka direktive (EU) 2017/1369.

(c) Če baza podatkov izdelka samodejno generira to vrednost, proizvajalec ne bo vnašal te vrednosti.

(1) Direktiva (EU) 2019/2022 z dne 1. oktobra 2019, ki opredeljuje ekološke zahteve glede gospodinjskih pomivalnih strojev v skladu z direktivo 2009/125/EC Evropskega parlamenta in Sveta, dopolnjuje direktivo (EC) št. 1275/2008 in razveljavalja direktivo (EU) št. 1016/2010 (glej stran 267 tega uradnega dokumenta).



# MAŠINA ZA PRANJE SUDOVA

Uputstvo  
za upotrebu

## DEO I: UOPŠTENO UPUTSTVO

Pre upotrebe mašine za pranje sudova, pažljivo pročitajte ovo uputstvo i sačuvajte ga za buduću upotrebu.

# BEZBEDNOSNA UPUTSTVA

## UPOZORENJE!

Prilikom upotrebe mašine za pranje sudova, pridržavajte se sledećih mera predostrožnosti:

- Postavljanje i popravku može izvesti samo kvalifikovani tehničar
- Uređaj je namenjen upotrebi u domaćinstvu i za slične namene, kao što su:
  - kuhinjski prostori za zaposlenje u prodavnicama, kancelarijama i drugim radnim okruženjima;
  - poljoprivredna domaćinstva;
  - od strane hotelskih i motelskih gostiju, kao i drugih vrsta smeštajnih objekata;
  - objekti koji pružaju uslugu noćenja sa doručkom;
- Ovaj uređaj mogu koristiti deca starosti 8 ili više godina i osobe sa smanjenim fizičkim, čulnim ili mentalnim sposobnostima, ili manjkom iskustva i znanja ukoliko su pod nadzorom, ili su im data uputstva u vezi sa bezbednom upotrebom uređaja, i svesni su mogućeg rizika.
- Deca ne bi trebalo da se igraju ovim uređajem. Uređaj ne smeju čistiti deca, osim ako to ne čine pod nadzorom. (Prema EN60335-1)
- Nije predviđeno da ovaj uređaj upotrebljavaju osobe (uključujući decu) sa umanjanim fizičkim, čulnim ili mentalnim sposobnostima, ili osobe bez iskustva i znanja, osim ukoliko su pod nadzorom ili ukoliko su dobile uputstva o upotrebi uređaja od osobe odgovorne za njihovu bezbednost. (Prema IEC60335-1) Ambalaža može biti opasna za decu!
- Ovaj proizvod je predviđen isključivo za upotrebu u domaćinstvu i u zatvorenom prostoru.
- Kako biste smanjili rizik od strujnog udara, ne potapajte proizvod, kabl ili utikač u vodu ili neku drugu tečnost. Pre čišćenja i održavanja uređaja, molimo vas da prekinete napajanje uređaja električnom energijom.
- Za čišćenje koristite meku krpu navlaženu blagom sapunicom, a zatim ponovo obrišite suvom krpom.

## Uputstva u vezi sa uzemljenjem

- Ovaj uređaj mora biti uzemljen. U slučaju nepravilnog rada ili kvara, uzemljenje će umanjiti rizik od pojave strujnog udara tako što će električnu struju omogućiti da nađe put sa najmanjim otporom. Ovaj uređaj je opremljen priključkom za sprovođenje uzemljenja.
- Neophodno je da priključak bude povezan sa odgovarajućim izlazom postavljenim i uzemljenim u skladu sa svim lokalnim propisima i naredbama.
- Neodgovarajuće povezivanje opreme sa provodnikom uzemljenja može da izazove rizik od strujnog udara. Ukoliko imate nedoumice u vezi sa pravilnim uzemljenjem uređaja, proverite uzemljenje zajedno sa kvalifikovanim električarem ili predstavnikom servisa.
- Ukoliko priključak koji ste dobili uz uređaj ne odgovara utičnici, nemojte ga prepravljati.
- Neka Vam kvalifikovani električar postavi

odgovarajuću utičnicu.

- Nemojte primenjivati silu, sedeti ili stajati na vratima ili policama za posude, koje se nalaze u mašini za pranje sudova.
- Nemojte puštati u rad svoju mašinu za pranje sudova ukoliko sve table kućišta nisu na svojim pozicijama.
- Budite veoma pažljivi prilikom otvaranja vrata mašine za pranje sudova dok ona radi, jer postoji rizik da Vas isprska mlaz vode. Ne stavljajte teške predmete na otvorena vrata mašine i nemojte stajati na njima. Uređaj bi se mogao prevrnuti.
- Prilikom raspoređivanja posuda koje je potrebno oprati:
  1. Oštre predmete rasporedite tako da ne mogu da oštete zaptivku na vratima;
  2. Upozorenje: Noževе i ostali pribor oštrih vrhova morate rasporediti u korpi tako da im vrhovi budu okrenuti ka dole ili ih morate postaviti u horizontalni položaj..
- Neki deterđenti za mašinsko pranje sudova su veoma alkalni. Ukoliko dođe do njihovog gutanja, mogu biti izuzetno opasni.
- Izbegavajte kontakt sa kožom i očima, a decu držite dalje od mašine za pranje sudova ukoliko su vrata otvorena.
- Po završetku ciklusa pranja, proverite da li ima još praha od deterđenta.
- Nemojte prati plastično posuđe, osim ukoliko nosi oznaku „bezbedno za mašinsko pranje“ ili slično.
- Kod plastičnog posuđa koje ne nosi nikakvu oznaku, proverite preporuke proizvođača.
- Upotrebljavajte isključivo deterđente i sredstva za ispiranje preporučena za upotrebu u automatskim mašinama za pranje sudova.
- Nikada nemojte u mašinu za pranje sudova stavljati sapun, deterđent za pranje veša ili deterđent za pranje ruku.
- Ne ostavljajte otvorena vrata, jer time povećavate rizik od saplitanja.
- Ukoliko je kabl za napajanje oštećen, mora ga zameniti proizvođač, njegov agent za servisiranje ili slično kvalifikovano lice, kako bi se izbegli mogući rizici.
- Prilikom postavljanja, priključni kabl se ne sme savijati ili pritiskati na prekomeran ili opasan način.
- Nemojte nepropisno prepravljati kontrolne tastere.
- Uređaj je potrebno povezati sa glavnim ventilom za vodu pomoću novog kompleta creva. Nemojte upotrebljavati stare komplete creva.
- U cilju uštede energije, uređaj će se u režimu pripravnosti automatski isključiti ukoliko mašina nije aktivna tokom perioda od 15 minuta.
- Maksimalni broj kompleta prilikom pranja iznosi 9.
- Maksimalni dozvoljeni pritisak ulazne vode iznosi 1 MPa.
- Minimalni dozvoljeni pritisak ulazne vode iznosi 0,04 MPa.

## Odlaganje



- Za odlaganje ambalaže i samog uređaja, obratite se centru za recikliranje. Isecite priključni kabl i onesposobite mehanizam za zatvaranje vrata na uređaju.
- Kartonska ambalaža je proizvedena od recikliranog papira i treba je odložiti na mesto za prikupljanje papirnog otpada radi ponovnog recikliranja.
- Ispravnim odlaganjem proizvoda, pomoćićete

sprečavanju potencijalnih negativnih posledica po životnu sredinu i ljudsko zdravlje, koje inače mogu biti uzrokovane nenepravnim odlaganjem otpada kao što je ovaj uređaj.

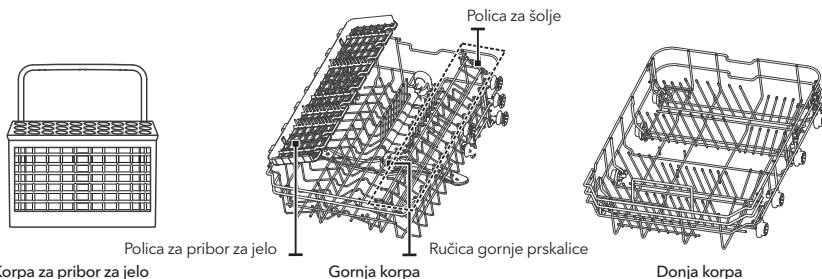
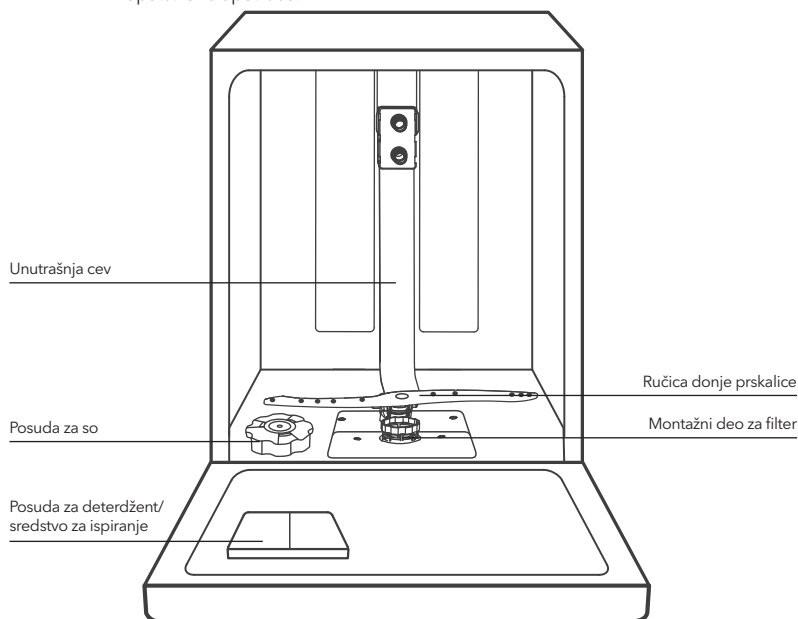
- Za više informacija o recikliranju ovog proizvoda, molimo Vas da kontaktirate kancelariju jedinice lokalne samouprave ili komunalni servis za odlaganje kućnog otpada.
- **ODLAGANJE: Ne odlažite ovaj proizvod kao nerazvrstan komunalni otpad. Ovakav otpad je neophodno zasebno sabirati radi njegovog posebnog tretiranja.**

## PRIKAZ PROIZVODA



**VAŽNO!**

Za maksimalni učinak Vaše mašine za pranje sudova, pre prve upotrebe pročitajte kompletno uputstvo za upotrebu.

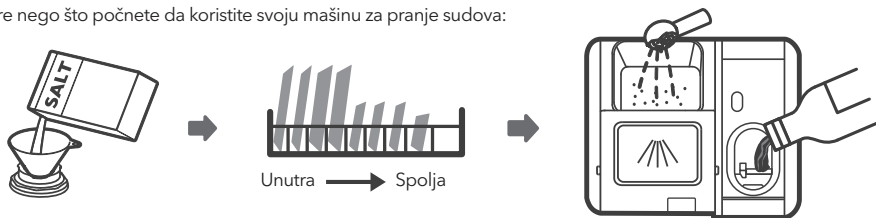


**NAPOMENA**

Slike su date isključivo u ilustrativne svrhe, različiti modeli se mogu razlikovati.

# UPOTREBA VAŠE MAŠINE ZA PRANJE SUDOVA

Pre nego što počnete da koristite svoju mašinu za pranje sudova:



1. Podesite omekšivač vode
2. Stavite so u omekšivač
3. Rasporedite posude u korpe
4. Napunite posudu za deterdžent / sredstvo za ispiranje

## NAPOMENA

Ukoliko je potrebno da podesite omekšivač vode, pogledajte odeljak 1 „Omekšivač vode“, koji se nalazi u DELU II: Uputstvo za određeni model.

## Stavite so u omekšivač

### NAPOMENA

Ukoliko se u okviru Vašeg modela mašine ne upotrebljava omekšivač vode, ovaj odeljak možete preskočiti.

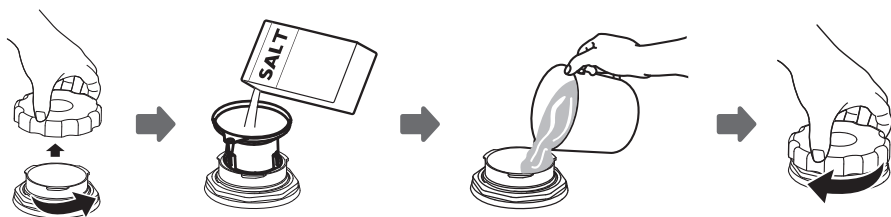
Koristite isključivo so, koja je namenjena za mašinu za pranje sudova.

Posuda za so se nalazi ispod donje korpe, a treba da bude dopunjena na način prikazan dalje u tekstu:

### UPOZORENJE!

- **Koristite isključivo so koja je posebno proizvedena za mašine za pranje sudova!**  
Bilo koja druga vrsta soli, koja nije posebno proizvedena za mašinu za pranje sudova, a naročito jestiva so, oštetiće omekšivač vode. U slučaju oštećenja nastalih usled upotrebe neodgovarajuće vrste soli, proizvođač ne pruža nikakve garancije, niti je odgovoran za bilo kakvo oštećenje nastalo tom prilikom.
- **So dopunjujte isključivo neposredno pre nego što mašina započne ciklus pranja.**  
Na taj način ćete sprečiti zadržavanje potencijalno prosutih zrna soli ili slane vode na dnu mašine tokom određenog vremenskog perioda, što može izazvati rđanje.

Pratite sledeće korake kako biste dodali so za mašinu za pranje sudova:



1. Skinite donju korpu i odšrafite poklopac rezervoara.
2. Stavite donji deo levka (koji se dostavlja uz proizvod) u otvor i naspite oko 1,5 kg soli za mašinu za pranje sudova.
3. Dopunite posudu za so vodom do njene maksimalne granice. Uobičajeno je da se, tom prilikom, iz posude za so prospe manja količina vode.
4. Nakon što napunite posudu, ponovo stavite poklopac i dobro ga zašrafite.
5. Nakon što naspete so u posudu za so, lampica upozorenja za količinu soli će prestati da svetli.
6. Neki od programa pranja bi trebalo pokrenuti odmah po stavljanju soli u posudu za so (Predlažemo upotrebu nekog od kraćih programa). U suprotnom, slana voda bi mogla da ošteti sistem za filtriranje, pumpu ili neke druge važne delove mašine. U tom slučaju, garancija se neće primenjivati.



## NAPOMENA

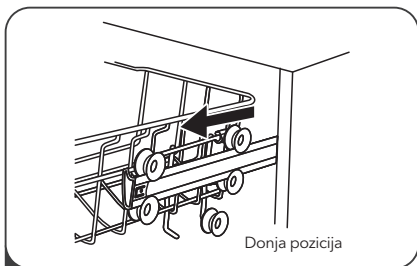
- Posuda za so se mora dopunjavati samo kada se na kontrolnoj tabli uključi lampica upozorenja za količinu soli (☹). Zavisno od stepena rastvorljivosti soli, lampica upozorenja za količinu soli može nastaviti da svetli iako je posuda za so dopunjena.
- Ukoliko uređaj na kontrolnoj tabli nema lampicu upozorenja za količinu soli (kod nekih modela), na osnovu broja ciklusa mašine možete proceniti kada ćete staviti so u omekšivač.
- Ukoliko je došlo do prosipanja soli, uključite program natapanja ili neki od kraćih programa kako biste je uklonili.

## Saveti za upotrebu korpi

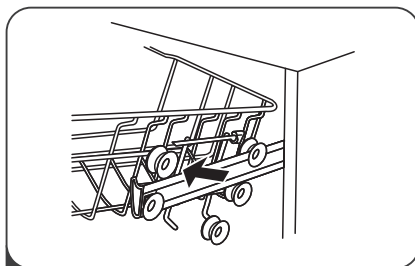
### Podешavanje gornje korpe

#### Tip 1:

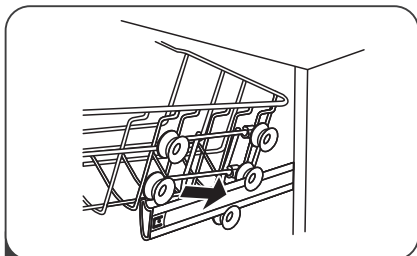
Visina gornje korpe se može lako podesiti tako da visoko posude možete smestiti bilo u gornju ili u donju korpu. Da podesite visinu gornje police, pratite sledeće korake:



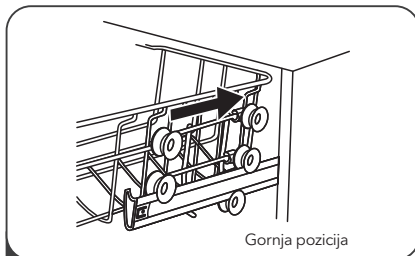
1 Izvucite gornju korpu.



2 Uklonite gornju korpu.

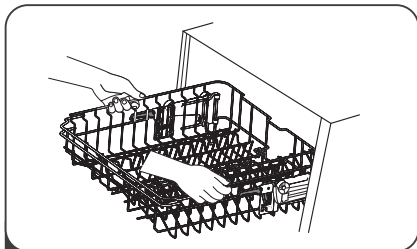


3 Ponovo postavite gornju korpu pomoću gornjih ili donjih točkića.

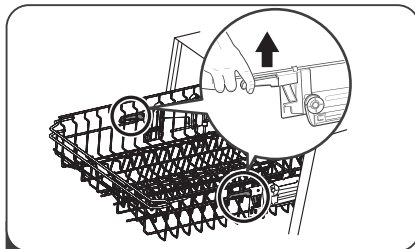


4 Gurnite gornju korpu u mašinu.

#### Tip 2:



1 Da podignete policu u gornju poziciju; podižite je sve dok obe strane ne budu na istoj visini. Polica će biti pričvršćena. Nije potrebno da podižete ručku za podešavanje.



2 Da spustite policu, podignite dršku za prilagošavanje sa svake strane, kako bi se korpa spustila ka dole.

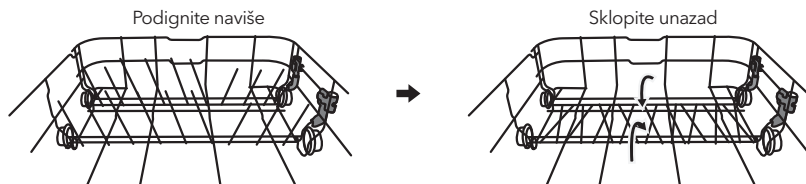
### Sklapanje polica za šolje

Da u korpi mašine za pranje sudova napravite više prostora za visoko posuđe, podignite policu za šolje ka naviše. Na taj način, uz nju možete prisloniti visoke čaše. Možete je i skinuti ukoliko Vam nije potrebna.



### Sklapanje polica sa šiljcima

Šiljci se koriste za pridržavanje tanjira i ovala. Mogu se spustiti kako bi se napravilo više prostora za veće posuđe.



## ODRŽAVANJE I ČIŠĆENJE

### Održavanje spoljašnosti uređaja

#### Vrata i zaptivka za vrata

Zaptivke za vrata redovno čistite mekom, vlažnom krpom kako biste uklonili naslage hrane.

Prilikom raspoređivanja posuđa u mašini za pranje sudova, ostaci hrane i pića mogu kapati po bočnim stranama vrata mašine za pranje sudova. Ove površine se nalaze izvan prostora za pranje i voda iz ručica prskalice ih ne može dohvatiti. Pre nego što zatvorite vrata, obrišite eventualne naslage.

#### Kontrolna tabla

Ukoliko je kontrolnu tablu potrebno očistiti, brišite je ISKLJUČIVO mekom, vlažnom krpom.

#### ⚠ UPOZORENJE!

- Da biste izbegli prodiranje vode u bravu vrata i u električne komponente, nemojte koristiti nikakva sredstva za čišćenje u spreju.
- Nikada ne upotrebljavajte abrazivna sredstva za čišćenje ili abrazivne sundere prilikom čišćenja spoljašnjih površina, jer tako možete izgubiti završni sloj. Neki papirni ubrusi takođe mogu izgubiti površinu ili ostaviti tragove na njoj.

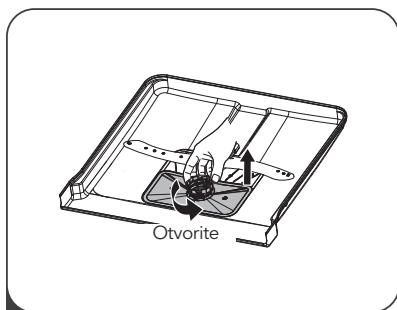
### Održavanje unutrašnjosti uređaja

#### Sistem za filtriranje

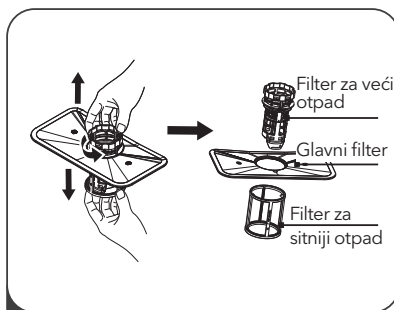
Sistem za filtriranje, koji se nalazi u donjem delu prostora za pranje, zadržava veći otpad nastao tokom ciklusa pranja. Prikupljeni veći otpad može da dovede do začepljenja filtera. Redovno proveravajte filtere i po potrebi ih čistite pod mlazom vode. Za čišćenje filtera u prostoru za pranje, pratite sledeće korake.

#### ☰ NAPOMENA

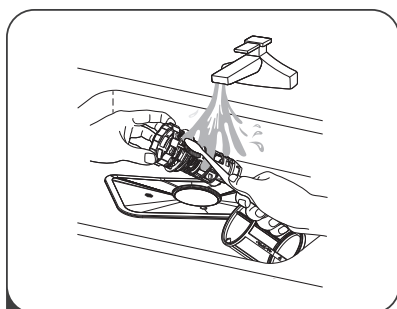
Slike su date isključivo u ilustrativne svrhe. Kod različitih modela, sistemi za filtriranje i ručice prskalice se mogu razlikovati.



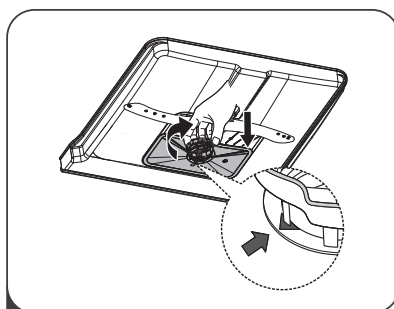
- 1** Uхватite filter za veći otpad i okrenite ga u smeru suprotnom od smeru kazaljke na satu kako biste ga otključali. Podignite filter naviše i izvucite ga iz mašine za pranje sudova.



- 2** Filter za sitniji otpad se može izvući sa dna montažnog dela za filter.  
Filter za veći otpad se može odvojiti od glavnog filtera laganim pritiskanjem jezičaka na vrhu i izvlačenjem.



- 3** Veći ostaci hrane se mogu očistiti ispiranjem filtera pod mlazom vode.  
Za temeljnije čišćenje, koristite meku četku za čišćenje.



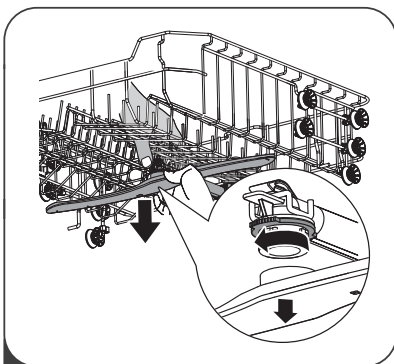
- 4** Filtere ponovo postavite obrnutim redosledom u odnosu na redosled kojim ste ih rasklapali, ponovo postavite uložak filtera i okrenite ga u smeru kazaljke na satu, sve do strelice.

### ⚠ UPOZORENJE!

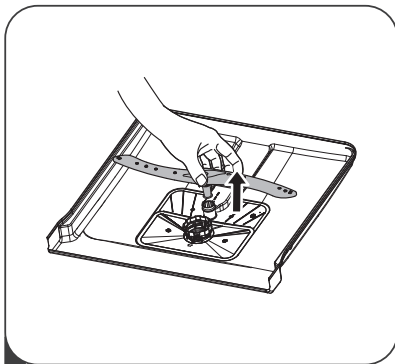
- Nemojte prejako pričvršćivati filtere. Vratite filtere određenim redosledom i dobro ih pričvrstite. U suprotnom, veći komadi otpada bi mogli ući u sistem i izazvati začepljenje.
- NIKADA ne upotrebljavajte mašinu za pranje sudova ako filteri nisu na odgovarajući način postavljeni. Nepravilno postavljanje filtera može smanjiti nivo radnog učinka uređaja i oštetiti posuđe i pribor.

### Ručice prskalice

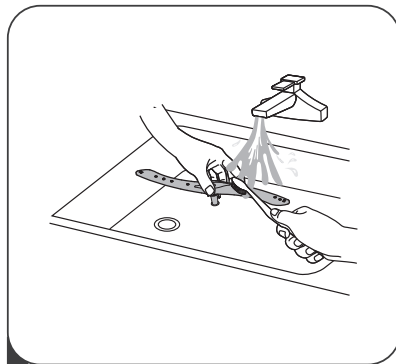
Ručice prskalice je neophodno redovno čistiti, jer će, u suprotnom, sadržaj iz tvrde vode začepiti mlaznice i blokirati ležajeve ručica prskalice. Za čišćenje ručica prskalice, pratite sledeća uputstva:



- 1** Da biste skinuli ručicu gornje prskalice, pritisnite centralni zavrtnj tako da se ne kreće, a zatim zarotirajte ručicu prskalice u smeru suprotnom od smeru kazaljke na satu.



**2** Da biste skinuli ručicu donje prskalice, povucite ručicu prskalice uvis.



**3** Ručice operite u toploj vodi sa sapunicom, a za čišćenje mlaznica upotrebite meku četku. Nakon temeljnog ispiranja, ponovo ih postavite u uređaj.

## Briga o mašini za pranje sudova

### Mere zaštite od zamrzavanja

Tokom zime, preduzmite sve mere da zaštitite mašinu za pranje sudova od zamrzavanja. Nakon svakog ciklusa pranja, obavite sledeće:

1. Izvucite utikač mašine za pranje sudova iz utičnice.
2. Isključite dovod vode i skinite dovodnu cev za vodu sa ventila za vodu.
3. Istočite vodu iz dovodne cevi i iz ventila za vodu. (Za prikupljanje vode, upotrebite dublju široku posudu)
4. Ponovo povežite dovodnu cev za vodu sa ventilom za vodu.
5. Skinite filter sa dna prostora za pranje i sunderom pokupite vodu iz slivnika.

### Nakon svakog pranja

Nakon svakog pranja isključite dovod vode do uređaja i ostavite vrata delimično otvorena kako se vlaga i mirisi ne bi zadržavali u uređaju.

### Izvucite utikač iz utičnice

Pre svakog čišćenja ili postupka održavanja izvucite utikač iz utičnice.

### Ne upotrebljavajte rastvarače ili abrazivna sredstva za čišćenje

Ne upotrebljavajte rastvarače ili abrazivne proizvode prilikom čišćenja spoljašnjeg dela i gumenih elemenata uređaja. Upotrebljavajte isključivo krpu natopljenu toplom vodom sa sapunicom.

Za uklanjanje fleka ili mrlja sa unutrašnjih površina uređaja koristite krpu navlaženu vodom sa malo sirćeta ili specijalizovan proizvod za čišćenje mašina za pranje sudova.

### Kada se uređaj ne upotrebljava tokom dužeg vremenskog perioda

Preporučuje se da praznu mašinu za pranje sudova uključite da radi jedan ciklus, a zatim da izvučete utikač iz utičnice, isključite dovod vode i ostavite vrata uređaja delimično otvorena. Ovim postupkom ćete produžiti životni vek zaptivkama na vratima i sprečiti stvaranje neprijatnih mirisa unutar uređaja.

### Transport uređaja

Ukoliko je neophodno premestiti uređaj, pokušajte da ga tokom tog procesa držite u uspravnom položaju. Samo ako je to zaista neophodno, uređaj položite na njegov zadnji deo.

### Zaptivke

Jedan od razloga nastajanja neprijatnog mirisa u mašini za pranje sudova jeste hrana, koja je ostala zaglavljena u zaptivkama. Povremeno čišćenje vlažnim sunderom će ovo sprečiti.

# UPUTSTVA ZA POSTAVLJANJE

## ⚠ UPOZORENJE!



### Opasnost od strujnog udara

Pre postavljanja mašine za pranje sudova, prekinite dovod struje. Ukoliko to ne učinite, možete izazvati nečiju smrt ili nekoga

## ⚠ PAŽNJA

Postavljanje cevi i električne opreme treba da obavi profesionalno lice.

## O električnom povezivanju

### ⚠ UPOZORENJE!

Radi lične bezbednosti:

- Za povezivanje ovog uređaja sa strujom ne upotrebljavajte produžne kablove ili adaptere.
- Nemojte ni pod kojim okolnostima seći ili skidati vezu za uzemljenje sa priključnog kabla.

### Zahtevi u vezi sa električnom opremom

Pogledajte pločicu sa nominalnim podacima kako biste znali koji nominalni napon Vaša mašina za pranje sudova koristi i kako biste je priključili na odgovarajuću utičnicu. Koristite preporučeni osigurač sa zahtevanim naponom od 10A/13A/16A, vremenski osigurač ili prekidač i obezbedite zasebno strujno kolo namenjeno isključivo ovom uređaju.

### Povezivanje na struju

Pobrinite se da napon i frekvencija struje odgovaraju vrednostima navedenim na pločici sa nominalnim podacima. Povežite utikač isključivo sa utičnicom koja je pravilno uzemljena. Ukoliko utičnica na koju morate priključiti uređaj ne odgovara utikaču, zamenite utičnicu. Nemojte upotrebljavati adaptere i sličnu opremu, jer mogu dovesti do pregrevanja i izazvati opekotine.

**⚠ Pre upotrebe se pobrinite da postoji odgovarajuće uzemljenje.**

## Dovod i odvod vode

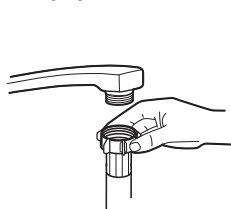
### Povezivanje sa hladnom vodom

Povežite dovodno crevo za hladnu vodu na konektor od 3/4 (cola) sa navojima i pobrinite se da je ono dobro pričvršćeno.

Ukoliko su cevi za vodu nove ili ako nisu upotrebljavane tokom dužeg vremenskog perioda, propustite kroz njih vodu i proverite da li je voda čista. Ovu meru predostrožnosti je neophodno obaviti kako bi se izbegao rizik od blokiranja protoka vode na ulazu i oštećenja uređaja.

### O sigurnosnom dovodnom crevu

Sigurnosno dovodno crevo se sastoji od duplih zidova. Sistem na ovom crevu pruža garanciju da će ono blokirati protok vode u slučaju pucanja dovodnog creva i onda kada se prostor između samog dovodnog creva i spoljašnjeg rebrastog creva, koji je ispunjen vazduhom, napuni vodom.



Obično dovodno crevo



Sigurnosno dovodno crevo

## ⚠ UPOZORENJE!

Crevo povezano sa tušem za sudoperu može da pukne ukoliko je postavljeno na isti dovod vode kao i mašina za pranje sudova. Ukoliko takvo crevo imate u svojoj sudoperi, preporučuje se da ga skinete i zatvorite otvor.

### Kako da povežete sigurnosno dovodno crevo

1. Potpuno izvadište sigurnosna dovodna creva iz skladišnog prostora na zadnjem delu mašine za pranje sudova.
2. Pričvrstite zavrtnje sigurnosnog dovodnog creva na slavinu od 3/4 cola sa navojima.
3. Pre nego što mašinu za pranje sudova pustite u rad, potpuno odvrnite vodu.

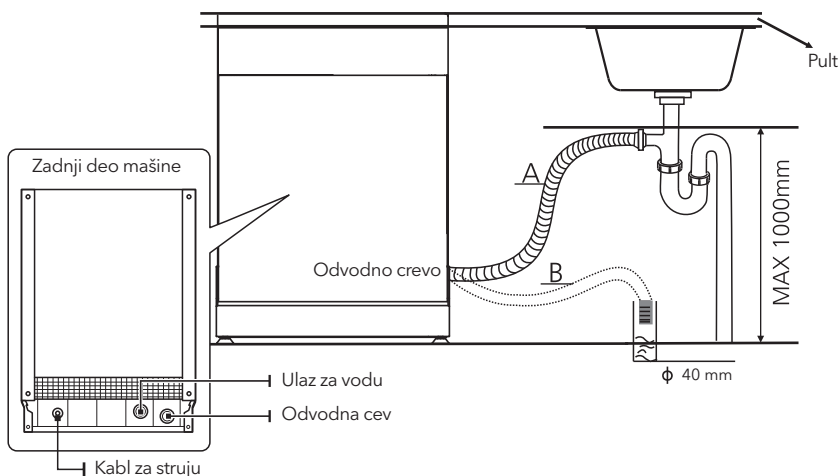
### Kako da skinete sigurnosno dovodno crevo

1. Isključite dovod vode.
2. Odšrafite sigurnosno dovodno crevo sa slavine.

## Povezivanje odvodnih creva

Ubacite odvodno crevo u odvodnu cev minimalnog prečnika od 4 cm ili ga ostavite da ističe u slivnik, vodeći pritom računa da ga ne savijate i ne prelamate. Odvodna cev mora biti locirana na visini manjoj od 1000 mm. Slobodni deo creva se ne sme uranjati u vodu kako bi se izbeglo vraćanje vode.

**⚠ Dobro pričvrstite odvodno crevo i u slučaju pozicije A i u slučaju pozicije B.**



### Kako da isпустite višak vode iz creva

Ukoliko je slivnik na visini većoj od 1000 mm od poda, višak vode u crevima neće moći da se isпусти direktno u slivnik. Neophodno je da višak vode iz creva isпустite u neku činiju ili odgovarajući sud koji ćete držati izvan slivnika i na nižem nivou od njega.

### Odvod vode

Povežite odvodno crevo za vodu. Odvodno crevo mora biti pravilno povezano kako bi se izbeglo curenje vode. Pobrinite se da odvodno crevo za vodu nije prelomljeno ili pritisnuto.

### Produžno crevo

Ukoliko vam je potrebno produžno odvodno crevo, pobrinite se da bude slično onome na koje ga nastavljate. Ne sme biti duže od 4 metra; u suprotnom, efekat čišćenja mašine za pranje sudova će biti umanjen.

### Povezivanje sifona

Veza sa kanalizacijom mora biti na visini manjoj od 100 cm (maksimalno) od dna mašine za pranje sudova. Odvodno crevo za vodu je potrebno fiksirati.

## Pozicioniranje uređaja

Postavite uređaj na željeno mesto. Zadnji deo uređaja treba da se naslanja na zid iza njega, a bočne strane treba da budu poravnate sa okolnim kuhinjskim elementima ili zidovima. Mašina za pranje sudova je opremljena dovodnim i odvodnim crevima za vodu koja se mogu postaviti bilo sa desne ili leve strane, čime se olakšava pravilno postavljanje.

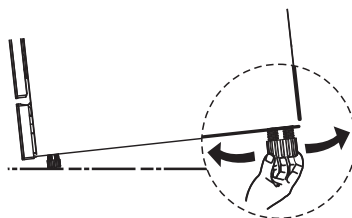
### Nivelisanje uređaja

Kada je uređaj postavljen za nivelisanje, visinu mašine za pranje sudova možete promeniti podešavanjem visine šrafa na nožicama.

Ni u kom slučaju, uređaj ne sme biti nagnut više od 2°.

### NAPOMENA

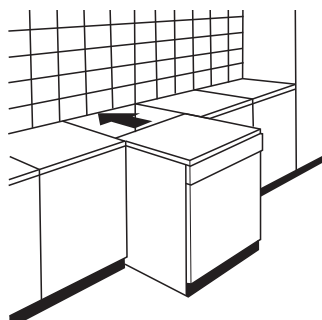
Primenjuje se isključivo na samostojeće mašine za pranje sudova.



## Postavljanje samostojećeg uređaja

### Postavljanje između postojećih kuhinjskih elemenata

Visina mašine za pranje sudova, koja iznosi 845 mm, dizajnirana je tako da omogući njeno postavljanje između postojećih kuhinjskih elemenata, koji u modernim kuhinjama rađenim po meri imaju pomenutu visinu. Nožice se mogu podesiti tako da se dostigne odgovarajuća visina. Laminirani gornji deo mašine ne zahteva posebno održavanje, jer je otporan na toplotu, ogrebotine i fleke.



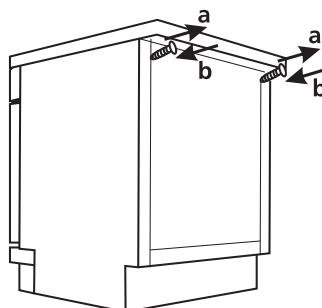
### Ispod postojeće radne površine

(kada se uređaj postavlja ispod radne površine)

Većina modernih kuhinja rađenih po meri ima samo jednu jedinstvenu radnu površinu, ispod koje se postavljaju kuhinjski elementi i električni uređaji. U ovom slučaju, skinite radnu površinu mašine za pranje sudova tako što ćete odšrafiti zavrtnje koji se nalaze na zadnjoj ivici gornje površine (a).

### PAŽNJA

Nakon skidanja gornje radne površine, zavrtnje MORATE ponovo pričvrstiti na deo ispod zadnje ivice gornje površine (b). Visina uređaja će se tako smanjiti na 815 mm, kako je navedeno u Međunarodnim uredbama (ISO), a mašina za pranje sudova će se savršeno uklopiti pod kuhinjsku radnu površinu.



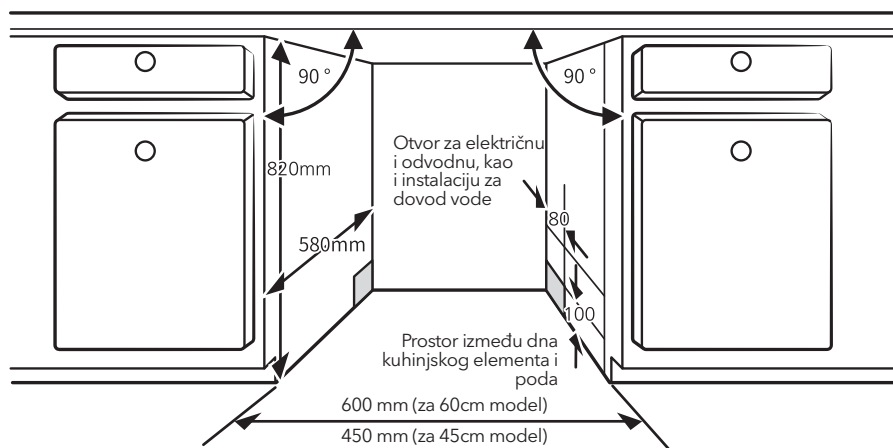
## Postavljanje ugradnog uređaja (kod integrisanog modela)

### Korak 1. Izbor najbolje lokacije za mašinu za pranje sudova

Mašina za pranje sudova treba da bude postavljena u blizini postojećih dovodnih i odvodnih creva i priključnog kabela.

Ilustracija dimenzija kuhinjskih elemenata i mesta postavljanja mašine za pranje sudova.

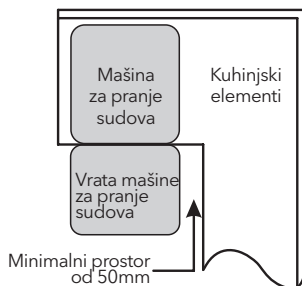
1. Manje od 5 mm između gornje površine mašine za pranje sudova i kuhinjskog elementa, kao i spoljnih vrata u ravni sa kuhinjskim elementom.



2. Ako mašinu za pranje sudova postavljate u krajnji ugao u odnosu na kuhinjske elemente, potrebno je da ostavite dovoljno mesta za otvaranje vrata.

#### NAPOMENA

Zavisno od toga gde se nalazi otvor za električne instalacije, možda ćete morati da prosečete otvor na suprotnoj strani kuhinjskog elementa.



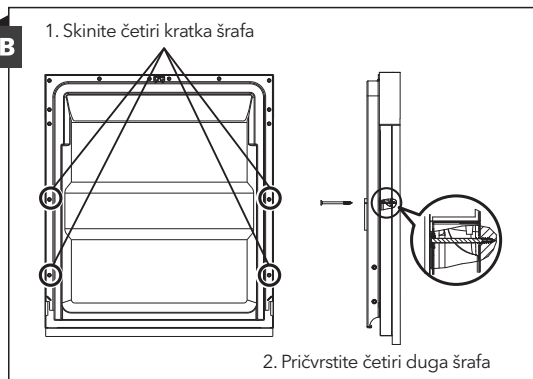
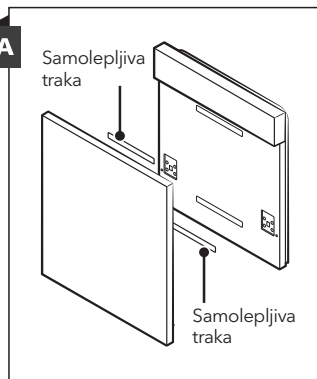
### Korak 2. Dimenzije i postavljanje ukrasne table

#### NAPOMENA

Ukrasnu drvenu tablu biste mogli napraviti na osnovu crteža koji se odnose na postavljanje uređaja.

### Poluintegrirani model

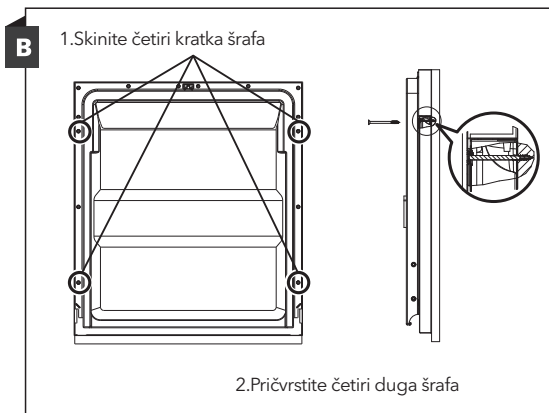
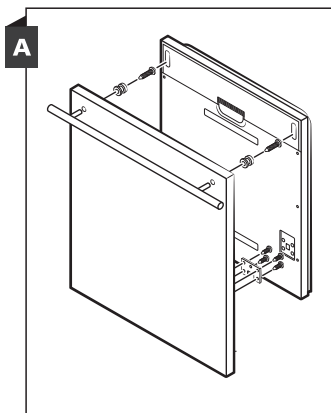
Odlepite samolepljivu traku A od samolepljive trake B, pa samolepljivu traku A nalepite na ukrasnu drvenu tablu, a filcanu samolepljivu traku B na spoljašnju stranu vrata mašine za pranje sudova (pogledajte sliku A). Nakon što pozicionirate tablu, pričvrstite je za spoljašnju stranu vrata pomoću šrafova i zavrtanja (pogledajte sliku B).





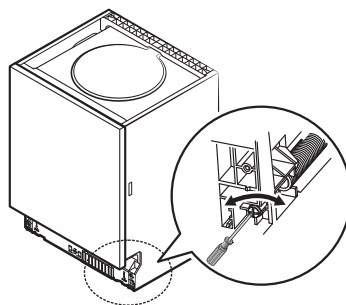
### Potpuno integrisani model

Odlepite samolepljivu traku A od samolepljive trake B, pa samolepljivu traku A nalepite na drveni front panel, a filcanu samolepljivu traku B na spoljašnju stranu vrata mašine za pranje sudova (pogledajte sliku A). Nakon pozicioniranja table, pričvrstite je za spoljašnju stranu vrata pomoću šrafova i zavrtnja (pogledajte sliku B).



### Korak 3. Podešavanje zategnutosti opruge na vratima

1. Zategnutost opruga na spoljašnjim vratima je fabrički pravilno podešena. Ukoliko postavljate ukrasne drvene table, morate podesiti zategnutost opruge na vratima. Okrećite šraf za podešavanje kako biste regulator dodatno zategli ili kako biste opustili čeličnu sajlju.
2. Zategnutost opruge na vratima je pravilno podešena ako vrata ostaju u horizontalnom položaju kada su potpuno otvorena i ako se u zatvoreni položaj vraćaju podizanjem prstom uz najmanji napor.



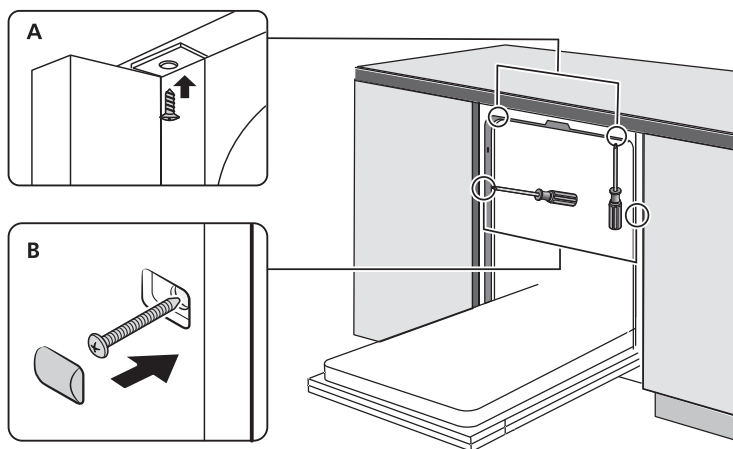
### Korak 4. Koraci za postavljanje mašine za pranje sudova



#### NAPOMENA

Pogledajte navedene korake za postavljanje uređaja na crtežima za postavljanje.

1. Ispod radne površine kuhinjskih elemenata pričvrstite bandaž traku. Pobrinite se da bandaž traka dobro naleže na ivicu radne površine. (Korak 2)
2. Povežite ulazno crevo sa dovodom hladne vode.
3. Povežite odvodno crevo.
4. Povežite priključni kabl.
5. Postavite mašinu za pranje sudova na za nju predviđeno mesto. (Korak 4)
6. Iznivelište mašinu za pranje sudova. Zadnja nožica se može podešavati sa prednje strane mašine za pranje sudova okretanjem krstastog šrafa koji se nalazi u sredini dna mašine za pranje sudova i koristite krstati šrafciğer. Da podesite prednje nožice, upotrebite ravni odvijač i okrećite prednje nožice sve dok ne iznivelište mašinu za pranje sudova. (Korak 5 i Korak 6)
7. Postavite ukrasna vrata na spoljnu stranu vrata mašine za pranje sudova. (Koraci 7 do 10)
8. Podesite zategnutost opruga na vratima pomoću imbus ključa koji ćete okretati u smeru kretanja kazaljke na satu, čime ćete zategnuti i levu i desnu oprugu. Ukoliko to ne učinite, možete oštetiti svoju mašinu za pranje sudova. (Korak 11)
9. Mašina za pranje sudova mora biti dobro pričvršćena. Ovo se može učiniti na dva načina:
  - A. Normalna radna površina: Postavite nosač za pričvršćivanje u otvor na bočnom delu i pričvrstite ga za radnu površinu šrafovim za drvo.
  - B. Mermerna ili granitna radna površina: Pričvrstite šrafom sa bočne strane.

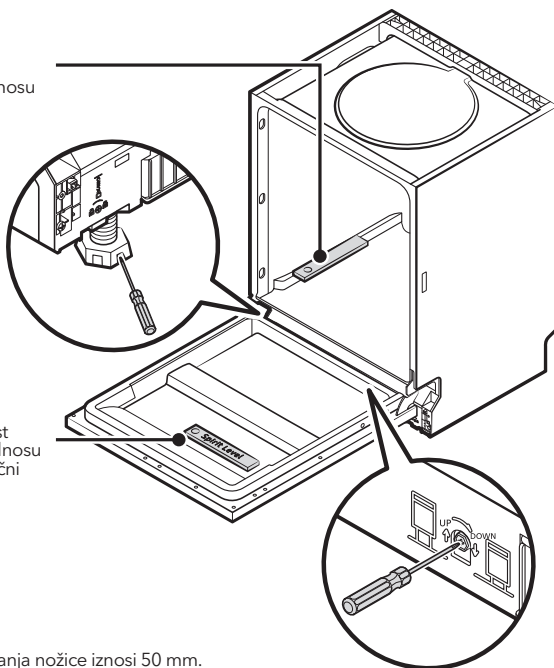


### Korak 5. Nivelisanje mašine za pranje sudova

Mašina za pranje sudova mora biti iznivelisana radi pravilne upotrebe police za sudove i boljeg učinka prilikom pranja.

1. Postavite libelu na vrata i na šinu police unutar prostora za pranje na način prikazan na slici kako biste proverili da li je mašina za pranje sudova iznivelisana.
2. Iznivelišite mašinu za pranje sudova tako što ćete zasebno podešeti svaku od tri nožice za nivelisanje.
3. Prilikom nivelisanja mašine za pranje sudova, povedite računa da se mašina za pranje sudova ne prevrne.

Proverite iznivelisanost prednjeg u odnosu na zadnji deo



Proverite iznivelisanost jednog u odnosu na drugi bočni deo

### NAPOMENA

Maksimalna visina podešavanja nožice iznosi 50 mm.

# SAVETI ZA OTKLANJANJE KVAROVA

## Pre nego što pozovete servis

Pročitajte informacije prikazane na stranama koje slede jer na taj način možete izbeći pozivanje servisa.

Problem	Mogući uzroci	Šta uraditi
Mašina za pranje sudova ne počinje da radi	Osigurač je pregoreo ili je prekidač prekinuo strujno kolo.	Zamenite osigurač ili ponovo uključite prekidač. Isključite sve uređaje koji koriste isto strujno kolo kao i mašina za pranje sudova.
	Napajanje nije uključeno.	Pobrinite se da je mašina za pranje sudova uključena i da su vrata dobro zatvorena. Pobrinite se da je priključni kabl pravilno priključen u utičnicu.
	Pritisak vode je nizak.	Proverite da li je mašina pravilno povezana na dovod vode i da li je voda puštena.
	Vrata mašine za pranje sudova nisu pravilno zatvorena.	Pobrinite se da su vrata pravilno zatvorena i da su se zaključala.
Mašina za pranje sudova ne izbacuje vodu	Odvodno crevo je presavijeno ili pritisnuto.	Proverite odvodno crevo.
	Filter je začepljen.	Proverite filter za veći otpad.
	Sudopera je začepljena.	Proverite sudoperu kako biste se uverili da dobro odvodi vodu. Ukoliko je problem izazvala sudopera koja ne odvodi vodu, verovatno će Vam vodoinstalater biti potrebniji od servisera mašina za pranje sudova.
Sapunica u prostoru za pranje	Neodgovarajući deterdžent.	Upotrebljavajte isključivo specijalni deterdžent za mašinsko pranje sudova kako biste izbegli stvaranje sapunice. Ukoliko se ovo dogodi, otvorite mašinu za pranje sudova i sačekajte da sapunica ispari. Prospite otprilike 1 litar hladne vode na dno mašine. Zatvorite vrata mašine, a zatim izaberite bilo koji ciklus pranja. Mašina će, na početku, ispustiti vodu. Po završetku faze ispuštanja vode, otvorite vrata i proverite da li ima još sapunice. Po potrebi ponovite ovaj postupak.
	Sredstvo za ispiranje se prosulo.	Uvek i odmah obrišite sredstvo za ispiranje ukoliko se prospe.
Fleke po unutrašnjem delu prostora za pranje	Možda je upotrebljavan deterdžent koji sadrži sredstvo za bojenje.	Uverite se da deterdžent ne sadrži sredstvo za bojenje.
Beli film po unutrašnjim površinama prostora za pranje	Minerali tvrde vode.	Za čišćenje unutrašnjosti koristite vlažni sunder koji sadrži deterdžent za mašinsko pranje sudova. Nosite gumene rukavice. Nikada ne koristite druga sredstva za čišćenje jer može doći do stvaranja pene ili sapunice.
Na priboru za jelo se javljaju mrlje od rde	Pribor za jelo je napravljen od materijala koji nisu otporni na rđu.	Izbegavajte da u mašini za pranje sudova perete posude koje nije otporne na rđu.
	Mašinu niste pustili u rad odmah po dodavanju soli. Tragovi soli su dospeli u ciklus pranja.	Po dodavanju soli, uvek uključite neki od programa pranja bez sudova u mašini. Ne uključujte opciju Turbo (ukoliko je mašina ima).
	The lid of the softer is loose.	Proverite da li je poklopac omeškivača bezbedno postavljen.

Problem	Mogući uzroci	Šta uraditi
U mašini za pranje sudova se čuje udaranje	Ručica prskalice udara o neku posudu u korpi	Prekinite program i ponovo rasporedite posude koje blokira ručicu prskalice.
U mašini za pranje sudova se čuje zveckanje	Lomljivo posuđe u mašini za pranje sudova nije raspoređeno tako da stoji stabilno.	Prekinite program i ponovo rasporedite lomljivo posuđe.
U cevima za vodu se čuje udaranje	Razlog ovome može biti postavljanje na samom mestu ili ukrštanje cevovoda.	Ovo ni na koji način ne utiče na rad mašine za pranje sudova. Ukoliko imate bilo kakvih nedoumica, kontaktirajte kvalifikovanog vodoinstalatera.
Posuđe nije čisto	Posuđe nije pravilno raspoređeno.	Pogledajte napomene DELU II „Priprema i raspoređivanje posuda u mašini za pranje sudova“.
	Program nije dovoljno snažan.	Uključite intenzivniji program.
	Nije stavljeno dovoljno deterdženta.	Stavite više deterdženta ili promenite deterdžent.
	Posuđe blokira kretanje ručica prskalice.	Ponovo rasporedite posuđe tako da prskalice mogu da se neometano okreću.
	Komplet filtera je zaprljan ili nije pravilno postavljen na dno prostora za pranje u mašini. Na ovaj način mogu se zablokirati mlaznice na ručicama prskalice.	Očistite i/ili pravilno postavite filter. Očistite mlaznice na ručicama prskalice.
Posuđe od stakla je mutno.	Kombinacija meke vode i prevelike količine deterdženta.	Ukoliko je voda koju koristite meka, upotrebljavajte manje deterdženta i koristite kraće cikluse za pranje staklenog posuđa.
Na posudu i čašama se javljaju bele mrlje.	Upotreba tvrde vode može da izazove formiranje naslaga kamenca.	Proverite podešavanja omekšivača vode ili napunite posudu za so.
Na posudu se javljaju crne ili sive mrlje	Posuđe je bilo u snažnijem kontaktu sa priborom od aluminijuma.	Za uklanjanje pomenutih mrlja, koristite blago abrazivno sredstvo za čišćenje.
U posudi za deterdžent je ostao deterdžent	Posuđe blokira otvaranje posude za deterdžent.	Ponovo rasporedite posuđe na odgovarajući način.
Posuđe se ne suši	Posuđe nije pravilno raspoređeno.	Rasporedite posuđe na način prikazan u uputstvu. Kako biste izbegli iritaciju kože, pošto se na posudu mogu naći ostaci deterdženta, koristite rukavice.
	Posuđe je prebrzo izvađeno iz mašine.	Nemojte vaditi posuđe iz mašine za pranje sudova odmah po završetku ciklusa pranja. Malo otvorite vrata kako biste ispustili paru. Izvucite posuđe tak kada se temperatura unutar prostora za pranje dovoljno spusti da možete da dodirujete predmete. Najpre izvadite posuđe sa donje korpe, kako voda sa gornje korpe ne bi kapala po donjoj.
Posuđe se ne suši	Uključili ste pogrešan program.	Kod kraćih programa, temperatura pranja je niža, što umanjuje učinak pranja. Izaberite program koji ima dugi period pranja.
	Upotreba pribora za jelo sa nekalitetnim završnim slojem.	Postupak ocedivanje vode je teži kod ovakvog posuđa. Pribor za jelo ili posuđe ovog tipa nisu pogodni za pranje u mašini za pranje sudova.

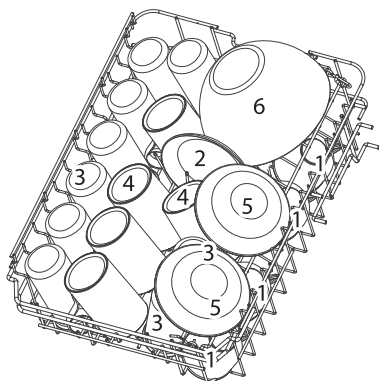
**UPOZORENJE!**

Popravljanje uređaja od strane nestručnog lica može dovesti do ugrožavanja bezbednosti korisnika uređaja. Takođe, može uticati na promenu uslova garancije.

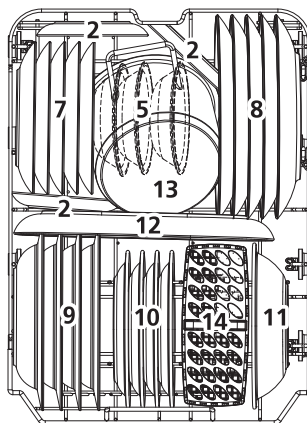
## RASPOREĐIVANJE POSUĐA U KORPAMA U SKLADU SA STANDARDOM EN60436

Korišćenje punog kapaciteta mašine za sudove prilikom punjenja, doprinosi uštedi energije i vode.

### 1. Gornja korpa:



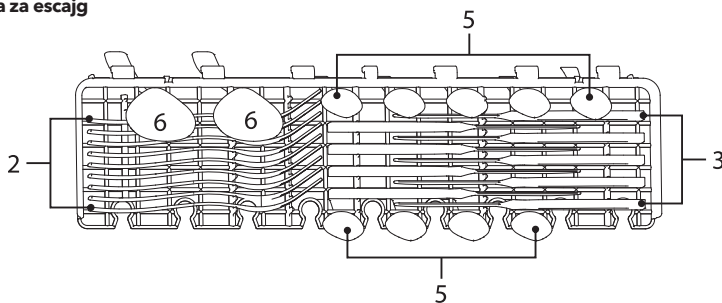
### 2. Donja korpa:



Broj	Stavka
1	Šolje
2	Tacne
3	Čaše
4	Krigle
5	Činije za dezert
6	Staklena činija

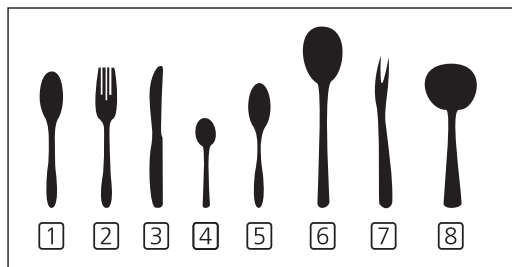
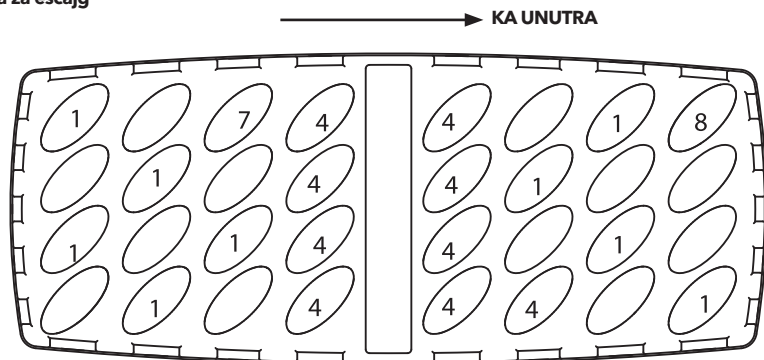
Broj	Stavka
7	Tanjiri za dezert
8	Tanjiri za ručavanje
9	Tanjiri za supu
10	Tanjiri za dezert od melamina
11	Činija od melamina
12	Oval
13	Mali lonac
14	Korpa za escajg

### 3. Polica za escajg



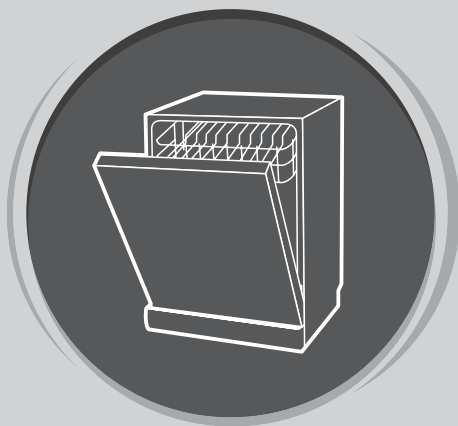
**NAPOMENA!** Lagane, ravne komade escajga stavite na policu. Ukupna težina mora biti manja od 1,5 kg.

### 4. Korpa za escajg



Broj	Stavka
1	Supene kašike
2	Viljuške
3	Noževi
4	Kafene kašičice
5	Kašičice za desert
6	Kašike za serviranje
7	Viljuške za serviranje
8	Kutlače za sos

Informacije u vezi sa uporednim testovima u skladu sa standardom EN60436  
 Kapacitet: 9 kompleta  
 Pozicija gornje korpe: niža pozicija  
 Program: ECO (EKOLOŠKI)  
 Podešavanje za sredstvo za ispiranje: MAX (MAKSIMALNO)  
 Podešavanje za omekšivač: H3



# MAŠINA ZA PRANJE SUDOVA

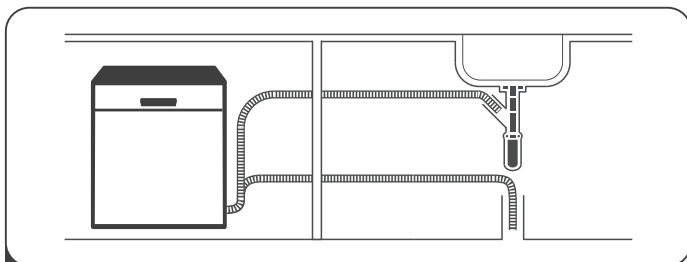
Uputstvo  
za upotrebu

**DEO II: UPUTSTVO ZA  
ODREĐENI MODEL  
WDI461M**

Pre upotrebe mašine za pranje sudova, pažljivo pročitajte ovo uputstvo i sačuvajte ga za buduću upotrebu.

# KRATKO KORISNIČKO UPUTSTVO

Za detaljnije informacije o načinu rukovanja, pročitajte odgovarajući sadržaj u uputstvu za upotrebu.

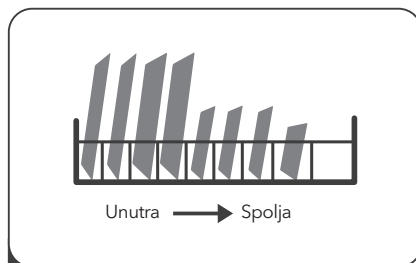


**1** Postavite mašinu za pranje sudova

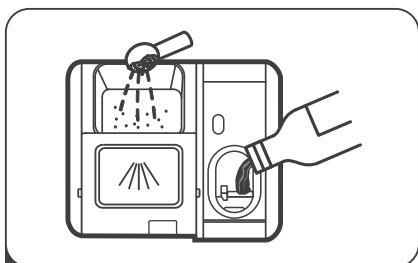
(Pogledajte odeljak 5 „UPUTSTVA ZA POSTAVLJANJE“ u okviru DELA I: Uopšteno uputstvo.)



**2** Uklonite veće ostatke sa posuda. Izbegavajte prethodno ispiranje.



**3** Rasporedite posude u korpe.



**4** Napunite posudu za deterđent / sredstvo za ispiranje.

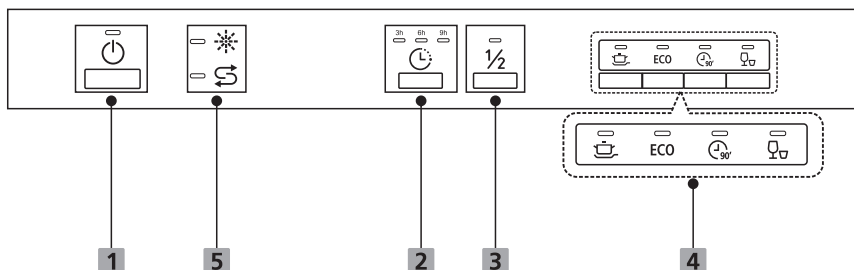


**5** Izaberite odgovarajući program i upalite mašinu za sudove.



# UPOTREBA VAŠE MAŠINE ZA PRANJE SUDOVA

## Kontrolna tabla







### Opcija (taster)

**1** Uključivanje Pritisnite ovo dugme, da biste uključili svoju mašinu; kontrolna tabla će zasvetleti.



**2** Odloženi početak Pritisnite dugme, kako biste odložili vreme početka rada uređaja.

**3** Polovina kapaciteta Ukoliko imate otprilike polovinu ukupnog broja kompleta posuda za pranje ili manje od toga, možete odabrati ovu funkciju radi uštede energije i vode. (Ova funkcija se može koristiti samo okvru režima Intenzivno, ECO (Ekološki), 90 min)

Izaberite odgovarajući program pranja, na indikatoru izabranog programa uključice se svetlo.

- 4** Program
-  **Intenzivno**  
Za veoma zaprljano posuđe, kao što su šerpe i tiganji. Sa skorelom hranom.
  -  **ECO**  
Ovo je standardni program podesan za normalno zaprljano stono posuđe, kao što su tiganji, tanjiri i čašše i za manje zaprljane tiganje.
  -  **90 min**  
Za normalno zaprljano posuđe koje treba brzo oprati.
  -  **Ubrzano**  
Kraći program pranja za blago zaprljano posuđe koje ne treba da se suši.

### Ekran

- 5** Upozorenje indikator
-  **Sredstvo za ispiranje**  
Ukoliko je uključena ikonica indikatora "☼", u mašini za pranje sudova nema dovoljno sredstva za ispiranje i potrebno ga je dopuniti.
  -  **So**  
Ukoliko je uključena ikonica indikatora "⊞", u mašini za pranje sudova nema dovoljno soli i potrebno je dopuniti.

## Omekšivač vode

Omekšivač vode se mora ručno podesiti pomoću brojačnika za tvrdoću vode.

Omekšivač vode je napravljen da iz vode ukloni minerale i soli, koji bi inače imali štetno ili nepovoljno dejstvo po rad uređaja.

Što je veći sadržaj minerala u vodi koju koristite, to je ona tvrđa.

Količinu omekšivača treba podesiti prema tvrdoći vode u oblasti u kojoj živite. Od lokalnog nadležnog organa zaduženog za vodu možete dobiti informacije u vezi sa tvrdoćom vode u oblasti u kojoj živite.

### Podešavanje utroška soli

Mašina za pranje sudova je napravljena tako da omogućava podešavanje količine utrošene soli na osnovu tvrdoće vode koja je u upotrebi. Cilj je da se nivo utroška soli optimizuje i prilagodi svakom zasebnom slučaju.

Za podešavanje utroška soli, pratite sledeće korake.

1. Uključite uređaj;
2. Zadržite pritisak na tasteru Ubrzano u trajanju od preko 5 sekundi kako bi se u roku od 60 sekundi od uključivanja uređaja aktivirao režim podešavanja za omekšivač vode;
3. Pritisnite taster Ubrzano kako biste izabrali odgovarajuće podešavanje prema sredini u kojoj se nalazite. Podešavanje će se smenjivati sledećim redosledom:  
H3->H4->H5->H6->H1->H2->H3;
4. Pritisnite taster Uključivanje/Isključivanje kako bi ste napustili režim podešavanja.

TVRDOĆA VODE				Nivo omekšivača vode	Regeneracija se dešava na svakih X program sekvenci <sup>1)</sup>	Potrošnja soli (grama/ciklusu)
Nemački °dH	Francuski °fH	Britanski °Klarkov	Mmol/l			
0 - 5	0 - 9	0 - 6	0 - 0.94	H1-> Uključena lampica režima Brzo pranje	Nema regeneracije	0
6 - 11	10 - 20	7 - 14	1.0 - 2.0	H2-> Uključena lampica režima 90 min	10	9
12 - 17	21 - 30	15 - 21	2.1 - 3.0	H3-> Uključena lampica režima 90 min, Brzo pranje	5	12
18 - 22	31 - 40	22 - 28	3.1 - 4.0	H4-> Uključena lampica režima ECO (Ekološki)	3	20
23 - 34	41 - 60	29 - 42	4.1 - 6.0	H5-> Uključena lampica režima ECO (Ekološki), Brzo pranje	2	30
35 - 55	61 - 98	43 - 69	6.1 - 9.8	H6-> Uključena lampica režima ECO (Ekološki), 90 min	1	60

1°dH=1.25 °Klarkov=1.78 °fH=0,178mmol/l

Fabričko podešavanje: H3

Za informacije u vezi sa tvrdoćom vode koju koristite, kontaktirajte lokalni nadležni organ zadužen za vodu.

<sup>1)</sup> Svaki ciklus sa opcijom regeneracije troši dodatnih 2l vode, potrošnja energije se povećava za 0.02 kWh, a program se produžava za 4 minuta.



#### NAPOMENA

Proverite odeljak 3 "Stavljanje soli u omekšivač", DEO I: Uopštenog uputstva, ukoliko u vašoj veš mašini nema dovoljno soli.



#### NAPOMENA

**Ukoliko se u okviru Vašeg modela mašine ne upotrebljava omekšivač vode, ovaj odeljak možete preskočiti.**

#### Omekšivač vode

Tvrdoća vode se razlikuje od mesta do mesta. Ukoliko mašina za pranje sudova koristi tvrdvu vodu, pojavice se naslage na sudovima i priboru za jelo.

Uređaj je opremljen posebnom pregradom za omekšivač i ima posudu za so, što je posebno dizajnirano za eliminisanje kamenca i minerala iz vode.

## Priprema i raspoređivanje posuđa u mašini

- Razmislite o kupovini pribora za jelo, koji je označen kao "bezbedan za pranje u mašini".
- Za određene posude izaberite program s najnižom mogućom temperaturom.
- Kako biste izbegli oštećenja, čaše i pribor za jelo ne vadite iz mašine za pranje sudova odmah nakon što program završi s radom.

### Sledeći tipovi pribora za jelo/posuđa

#### nisu pogodni za pranje:

- Pribor za jelo sa drvenim, rožanim, porcelanskim ili sedefnim drškama
- Plastični predmeti koji nisu otporni na visoke temperature
- Stariji tipovi pribora za jelo sa zalepljenim delovima koji nisu otporni na visoke temperature
- Lepljeni pribor za jelo ili posude
- Posude od kalaja ili bakra
- Kristalne čaše
- Posude od čelika podloznog rđanju
- Drveni ovali
- Posude od sintetičkih vlakana

#### su delimično pogodni za pranje:

- Neke vrste čaša mogu da posle većeg broja ciklusa pranja izgube sjaj
- Delovi od srebra i aluminijuma obično promene boju tokom pranja
- Ukoliko se često peru u mašini, glazirani elementi mogu da potamne

### Preporuke za raspoređivanje posuđa u mašini

Uklonite veće komade preostale hrane. Razmekšajte ostatke zagorele hrane u tiganjima. Nije neophodno isprati posude tekućom vodom.

Za najbolji učinak mašine za pranje sudova, pratite sledeće smernice za raspoređivanje posuđa u mašini.

**(Karakteristike i izgled korpi i korpi za pribor za jelo mogu se razlikovati od korpi u okviru Vašeg modela.)**

Predmete rasporedite u mašini za pranje sudova na sledeći način:

- Posude poput šolja, čaša, šerpi/tiganja itd. postavite u obrnuti položaj.
- Zakrivljeno posude i posude sa nepristupačnim delovima treba postaviti dijagonalno, kako bi voda mogla da se nesmetano sliva.
- Kompletan pribor treba naslagati tako da bude stabilan i da se ne prevrne.
- Kompletan pribor treba postaviti tako da ručice prskalice mogu da se slobodno okreću tokom procesa pranja.
- Šuplje posude, poput šolja, čaša, tiganja itd., postavite tako da otvor bude okrenut ka dole, kako se voda ne bi sakupljala u posudi ili dubokom dnu.
- Posude i pribor za jelo se ne smeju smeštati jedni u druge i zaklanjati jedni druge. Kako biste izbegli oštećenje čaša, povedite računa da se one ne dodiruju.
- Gornja korpa je predviđena za delikatnije i lakše posude, poput čaša i šolja za kafu i čaj.
- Noževi dugih sečiva postavljeni u uspravan položaj predstavljaju potencijalnu opasnost!
- Dugi i / ili oštri komadi pribora za jelo, poput noževa za sečenje, moraju se postavljati u gornju korpu, u horizontalnom položaju.
- Nemojte preterano opteretiti svoju mašinu za pranje sudova. Postoje dobri razlozi zbog kojih je ovu smernicu važno ispoštovati, a jedan od razloga je i razumna potrošnja energije.

### NAPOMENA

Izuzetno male predmete ne treba prati u mašini za pranje sudova, jer mogu lako ispasti iz korpi.

### Vađenje posuda

Kako biste sprečili kapanje vode sa gornje na donju korpu, preporučujemo Vam da najpre izvadite sadržaj donje, a onda i gornje korpe.

### UPOZORENJE!



**Posude će biti vrelo!** Kako biste izbegli oštećenja, čaše i pribor za jelo ne vadite iz mašine za pranje sudova najmanje 15 minuta nakon što program završi.

### Raspoređivanje posuđa u gornju korpu

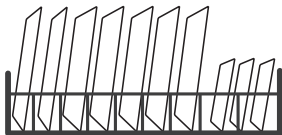
Gornja korpa je predviđena za osetljivije i lakše posuđe, poput čaša, šolja za kafu i čaj i tacni, kao i tanjira, malih činija i plitkih tiganja (ukoliko nisu preterano zaprljani). Posuđe i elemente za kuvanje postavite tako da ne može da ih pomeri mlaz vode.



### Raspoređivanje posuđa u donju korpu

Predlažemo Vam da u donju korpu rasporedite veliko posuđe, kao i posuđe koje se najteže pere, poput šerpi, tiganja, poklopaca, servisnog posuđa i činija, na način prikazan na slici. Najbolje je da servisno posuđe i poklopce postavite sa strane polica, kako ne biste blokirali okretanje gornje ručice prskalice.

Savetuje se da se ispred posuđe za deteržent ne stavljaju tanjiri čiji je prečnik veći od 19 cm, da ne bi došlo do njenog blokiranja.



### Raspoređivanje posuđa u korpu za pribor za jelo

Pribor za jelo treba razvrstati u polici za pribor za jelo, tako da svaki element pribora za jelo stoji zasebno, na za njega predviđenom mestu. Osim toga, povedite računa da pribor ne bude pregusto grupisan, jer to za rezultat može imati loš učinak mašine.



#### UPOZORENJE!



Ne dozvolite da delovi posuđa proviruju kroz dno.  
Oštar pribor uvek postavljajte sa oštrim vrhom okrenutim ka dole!



#### NAPOMENA

Za najbolji efekat pranja, posuđe raspoređujte u korpe u skladu sa standardnim načinima raspoređivanja, navedenim u poslednjem odeljku DELA I: OPŠTE UPUTSTVO

## Uloga sredstva za ispiranje i deterdženta

Sredstvo za ispiranje se ispušta tokom poslednjeg ispiranja kako bi sprečilo da se voda na Vašem posuđu formira u kapi, koje mogu da ostave kružne i prugaste mrlje. Osim toga, ovo sredstvo poboljšava sušenje jer vodi omogućava da sklizne sa posuđa. Predviđeno je da se u Vašoj mašini za pranje.




#### UPOZORENJE!

U mašinu za pranje sudova stavljajte samo brendirana sredstva za ispiranje. Nikada ne stavljajte neke druge supstance (npr. sredstvo za čišćenje mašine za pranje sudova, tečni deterdžent) u posudu za sredstvo za ispiranje. Na taj način možete oštetiti uređaj.

### Kada je potrebno dopuniti posudu za sredstvo za ispiranje

Učestalost potrebe za dopunjavanjem rezervoara zavisiće od učestalosti pranja posuđa, kao i od aktiviranog podešavanja za sredstvo za ispiranje.

Lampica indikatora koji ukazuje na nizak nivo sredstva za ispiranje u rezervoaru (  ) uključuje se kada bude bilo potrebno dopuniti sredstvo za ispiranje. Nemojte prepunjavati rezervoar sredstva za ispiranje.

### Uloga deterdženta

Hemijski sastojci u deterdžentu su neophodni za skidanje, usitnjavanje i izbacivanje svih vrsta prljavštine iz mašine za pranje sudova. Većina deterdženata komercijalnog kvaliteta odgovara ovoj svrsi.

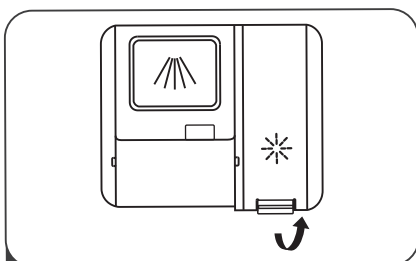
**UPOZORENJE!****Pravilna upotreba deterdženta**

Upotrebljavajte isključivo deterdžente posebno napravljene za mašine za pranje sudova. Čuvajte deterdžente tako da ostanu sveži i suvi. Ne stavljajte praškaste deterdžente u posudu za deterdžent sve dok ne budete spremni da uključite mašinu za pranje sudova.

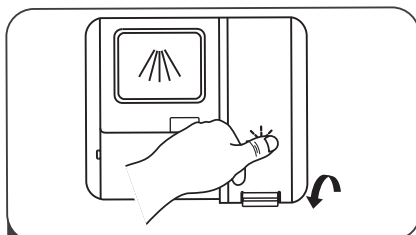


**Deterdžent za mašinsko pranje sudova je korozivan!**

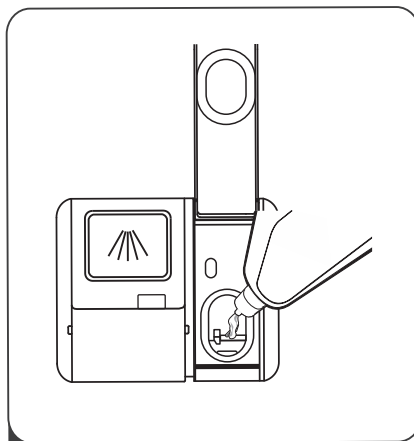
**Držite deterdžent za mašinsko pranje sudova van domašaja dece.**

**Punjenje rezervoara za sredstvo za ispiranje**

- 1 Uklonite poklopac rezervoara sredstva za ispiranje tako što ćete podići ručicu.



- 3 Nakon obavljenog postupka, zatvorite poklopac.



- 2 Sipajte sredstvo za ispiranje u rezervoar, pazeći pritom da ga ne prepunite.

**Podešavanje rezervoara sredstva za ispiranje**

Da bi se postigao bolji učinak prilikom sušenja, a uz ograničenu upotrebu sredstva za ispiranje, mašina za pranje sudova je dizajnirana tako da omogući podešavanje potrošnje zavisno od potreba korisnika.

Pratite sledeće korake.

1. Otvorite vrata. Uključite uredaj.
2. U roku od 60 sekundi nakon što ste obavili korak 1, pritisnite taster režima za brzo pranje i zadržite pritisak duže od 5 sekundi, a zatim pritisnite taster za odloženi start kako biste pristupili opcijama za podešavanje; indikator sredstva za ispiranje će treperiti pri frekvenciji od 1 Hz.
3. Pritisnite taster režima za brzo pranje kako biste odabrali odgovarajuće podešavanje, u skladu sa Vašim navikama pri pranju sudova. Podešavanja će se smenjivati sledećim redosledom: D1->D2->D3->D4->D5->D1. Što je broj veći, to će biti i veća količina sredstva za ispiranje koju mašina za pranje sudova koristi.
4. Pritisnite taster za uključivanje/isključivanje kako biste kompletirali postupak podešavanja.

**Nivo sredstva za ispiranje**

D1

**Pozicija tastera za odabir programa**

D1-&gt; Uključena lampica režima Brzo pranje

D2

D2-&gt; Uključena lampica režima 90 min

D3

D3-&gt; Uključena lampica režima Brzo pranje, 90 min

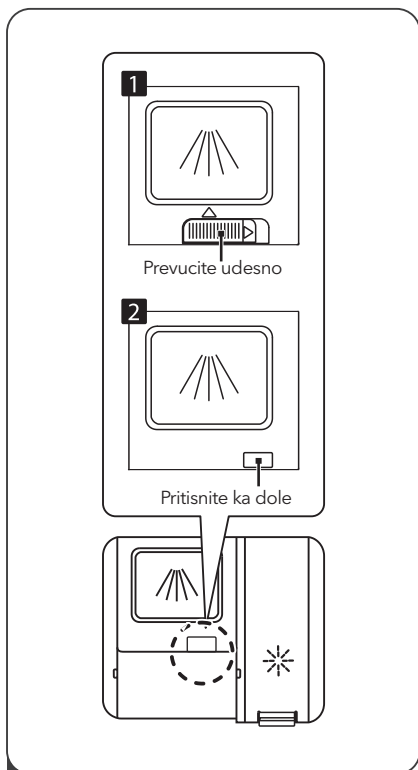
D4

D4-&gt; Uključena lampica režima ECO (Ekološki)

D5

D5-&gt; Uključena lampica režima Brzo pranje, ECO (Ekološki)

## PUNJENJE POSUDE ZA DETERDŽENT

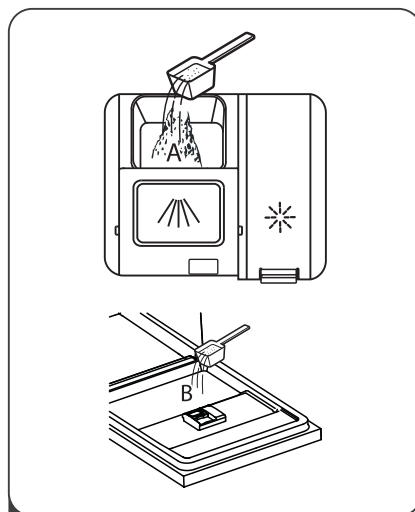


1 Način otvaranja odaberite zaviso od realnog uređaja.

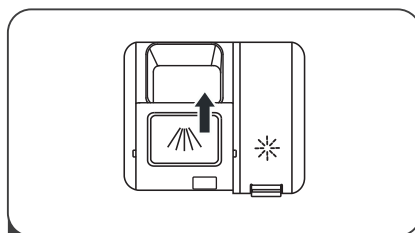
1. Otvorite poklopac tako što ćete kliznim pokretom prevući rezu za otpuštanje.
2. Otvorite poklopac pritiskom na rezu za otpuštanje.

**NAPOMENA**

- Imajte u vidu da podešavanja mogu da se razlikuju zaviso od stepena zaprljanosti vode.
- Pridržavajte se preporuka proizvođača navedenih na ambalaži deterdženta.



- 2 Dodajte deterdžent u veći otvor (A) za glavni ciklus pranja. Za postizanje boljih rezultata prilikom pranja, posebno ukoliko imate izuzetno zaprljano posuđe, sipajte malu količinu deterdženta na vrata. Ova dodatna količina deterdženta će se aktivirati tokom faze pretpranja.






- 3 Zatvorite poklopac tako što ćete ga kliznim pokretom prevući ka prednjem delu, a zatim ga utisnuti.

# PROGRAMIRANJE MAŠINE ZA PRANJE SUDOVA

## Tabela ciklusa pranja

U tabeli ispod prikazani su najprikladniji programi prema stepenu ostataka hrane na posudu i potrebnoj količini deterdženta. Osim toga, prikazani su i razni podaci u vezi sa programima. Vrednosti potrošnje i trajanja programa su orijentacione, osim za EKO (Ekološki) program.

Oznaka (●) predstavlja potrebu za dodavanjem sredstva za ispiranje u posudu za sredstvo za ispiranje.

Program	Opis ciklusa	Deterdženta pretpranje/ glavno pranje	Vreme trajanja ciklusa (min)	Energija (kWh)	Voda (L)	Sredstvo za ispiranje
 <b>Intenzivno</b>	Pretpranje (50°C)					
	Pranje (65°C)					
	Ispiranje	4/13 g	205	1.378	15.3	●
	Ispiranje	1 ili 2 komada				
	Ispiranje (65°C)					
Sušenje						
<b>ECO</b> (*EN 60436)	Pranje (45°C)					
	Ispiranje	17 g	235	0.704	9.0	●
	Ispiranje (55°C)					
	Sušenje					
 <b>90 minuta</b>	Pranje (60°C)					
	Ispiranje	17 g	90	1.234	10.2	●
	Ispiranje (65°C)	1 komad				
	Sušenje					
 <b>Rapid</b>	Pranje (50°C)					
	Ispiranje	12 g	30	0.611	10.0	○
	Ispiranje (45°C)					

### NAPOMENA

#### **ECO** (\*EN 60436)

EKO (Ekološki) program je pogodan za pranje normalno zaprljanog posuda što je (\*EN60436) za ovu upotrebu najefikasniji program u smislu kombinovane potrošnje energije i vode i koristi se za procenu usklađenosti sa zakonodavstvom EU o ekodizajiranju.

## Ušteda energije

1. Predispiranje posuda dovodi do povećane potrošnje vode i energije i ne preporučuje se.
2. Pranje posuda u mašini za pranje sudova u domaćinstvu obično troši manje energije i vode od ručnog pranja posuda, kada se mašina za pranje sudova koristi u skladu sa uputstvima.

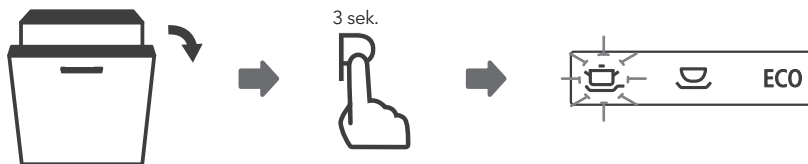
## Započinjanje ciklusa pranja

1. Izvucite donju i gornju korpu, rasporedite posude i vratite ih u mašinu. Preporučuje se da najpre rasporedite posude na donjoj, a zatim na gornjoj korpi.
2. Sipajte deterdžent.
3. Priključite utikač u utičnicu. Za podatke o napajanju, pogledajte odeljak „Karakteristike proizvoda“, na poslednjoj strani. Postarajte se da dovod vode bude uključen i pod punim pritiskom.
4. Otvorite vrata, pritisnite dugme za uključivanje i svetlo za uključivanje/isključivanje će zasvetleti.
5. Izaberite program, nakon čega će se uključiti svetlo indikacije. Zatim zatvorite vrata i mašina za pranje sudova će započeti svoj ciklus.

## Menjanje programa u toku započetog ciklusa

Ciklus pranja koji je u toku se može promeniti samo ukoliko nije proteklo mnogo vremena od početka rada mašine. U suprotnom, mašina je možda već ubacila deterdžent u ciklus pranja i ispuстила vodu sa sapunicom. U tom slučaju, mašinu je neophodno ponovo podesiti, a posudu za deterdžent dopuniti. Da ponovo podesite mašinu za pranje sudova, pratite dole prikazana uputstva:

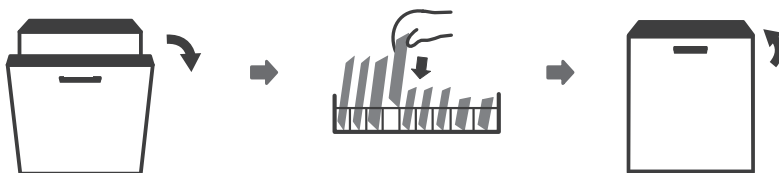
1. Otvorite malo vrata, kako biste zaustavili rad mašine za pranje sudova, nakon što ručica prskalice prestane da radi, vrata možete otvoriti širom.
2. Pritisnite taster za bilo koji program i zadržite pritisak duže od 3 sekunde kako biste opozvali trenutno aktivni program, pri čemu će mašina preći u stanje pripravnosti.
3. Možete promeniti program na željenu postavku ciklusa.



## Zaboravili ste da dodate posudu?

Posudu koju ste zaboravili da stavite u mašinu možete dodati u bilo kom trenutku pre nego što se otvori posuda za deterdžent. U tom slučaju, pratite sledeća uputstva:

1. Otvorite malo vrata, kako biste zaustavili ciklus pranja.
2. Nakon što ručica prskalice prestane s radom, možete širom otvoriti vrata.
3. Dodajte posuđe koje ste zaboravili da stavite u mašinu.
4. Zatvorite vrata.
5. Mašina za pranje sudova će ponovo početi s radom.



### UPOZORENJE!



Opasno je otvarati vrata mašine u toku započetog ciklusa, jer možete zadobiti opekotine od vrelе pare.



# OZNAKE GREŠAKA

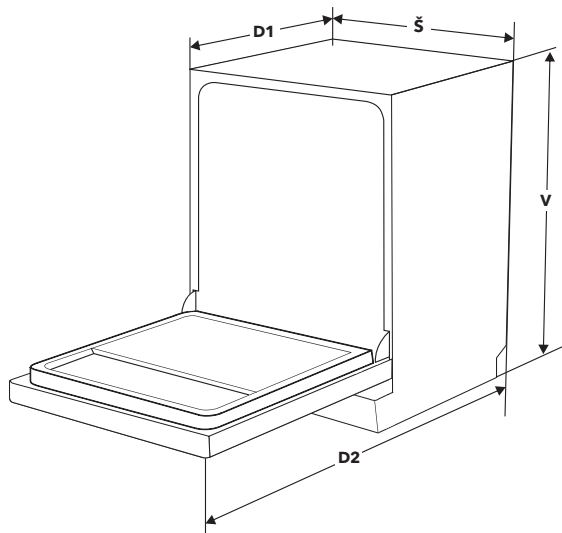
U slučaju nepravilnog rada, na mašini za pranje sudova će biti prikazane oznake grešaka, kojima se identifikuju sledeći slučajevi:

Oznake	Značenje	Mogući uzroci
Indikator ubrzanog pranja neprekidno treperi	Produženo vreme primanja vode.	Slavine nisu odvrnute ili je ulaz vode blokiran ili je pritisak vode prenizak.
Indikator 90-minutnog i Ubrzanog pranja neprekidno trepere.	Ne može se dostići zadata temperatura.	Neispravan grejač.
Indikator ECO pranja neprekidno treperi	Prelivanje.	Neki deo mašine za pranje sudova propušta vodu.
Svetlosni indikator režima Intenzivno, ECO (Ekološki), i Brzo pranje ubrzano trepere	Prekid komunikacije između glavne štampane ploče i štampane ploče za displej.	Otvoreno kolo ili prekid veza za uspostavljanje komunikacije.

## ⚠ UPOZORENJE!

- Ukoliko dođe do preliivanja vode, pre nego što pozovete servis, isključite glavni ventil za vodu.
- Ukoliko na dnu mašine ima vode zbog preliivanja ili manjeg propuštanja vode, pre ponovnog pokretanja mašine za pranje sudova ovu vodu treba ukloniti.
- Ukoliko postoji kod greške koji se ne može rešiti, zatražite stručnu pomoć servisera.

## TEHNIČKI PODACI



<b>Visina (V)</b>	815mm
<b>Širina (Š)</b>	448mm
<b>Dubina (D1)</b>	550mm (sa zatvorenim vratima)
<b>Dubina (D2)</b>	1150mm (s vratima otvorenim pod uglom od 90°)

## Lista sa informacijama o proizvodu (EN60436)

**Naziv ili zaštitni znak dobavljača:** Tesla**Adresa dobavljača (b):****Identifikacioni kod modela:** WDI461M**Opšti parametri proizvoda:**

Parametar	Vrednost	Parametar	Vrednost	
Nominalni kapacitet (*) (ps)	9	Dimenzije u cm	Visina	82
			Širina	45
			Dubina	55
EEI (*)	55,9	Klasa energetske efikasnosti (*)	E (°)	
Indeks efikasnosti čišćenja (*)	1,125	Indeks efikasnosti sušenja (*)	1,065	
Potrošnja energije izražena u kWh [po ciklusu], zasnovana na programu eco (ekološki), uz upotrebu hladne vode. Realna potrošnja energije zavisice od načina na koji se uređaj upotrebljava.	0,704	Potrošnja vode izražena u litrima [po ciklusu], zasnovana na programu eco (ekološki). Realna potrošnja vode zavisice od načina na koji se uređaj upotrebljava i od tvrdoće vode.	9,0	
Trajanje programa (°) (č: min)	3:55	Tip	Ugradno	
Emitovanje buke koja se prenosi vazduhom (°) (dB(A) re 1 pW)	49	Klasa emitovanja buke koja se prenosi vazduhom (°)	C (°)	
Režim „Isključeno“ (Off) (W)	0,49	Režim pripravnosti (Standby) (W)	N/A	
Odloženi start (W) (ukoliko je primenjivo)	1,00	Mrežna pripravnost (W) (ukoliko je primenjivo)	N/A	

**Minimalno trajanje garancije ponuđeno od strane dobavljača (b):****Dodatne informacije:**

Link koji vodi ka veb sajtu dobavljača, a na kome su dostupne informacije navedene pod tačkom 6 Aneksa II Uredbe Komisije (EU) 2019/2022 (1) (b):

(a) za program eco (ekološki).

(b) izmene u okviru ovih stavki se neće smatrati relevantnim za svrhe stava 4 Člana 4 Uredbe (EU) 2017/1369.

(c) ukoliko se u okviru baze podataka o proizvodu automatski generiše kompletan sadržaj ovog polja, dobavljač neće uneti pomenute podatke.

(1) Uredba Komisije (EU) 2019/2022 od 1. oktobra 2019. godine, kojom se utvrđuju zahtevi u smislu ekološkog dizajna mašina za pranje sudova u domaćinstvu, a u skladu sa Direktivom 2009/125/EC Evropskog parlamenta i Saveta, kojom se vrši izmena i dopuna Uredbe Komisije (EU) 1275/2008 i van snage stavlja Uredbe Komisije (EU) 1016/2010 (pogledajte na strani 267 ovog Službenog glasnika).



TESLA

[tesla.info](http://tesla.info)

