

TESLA

FRIDGE

RS0905H

User Manual

ENG

BiH/
CG

SRB



Product images are for illustrative purposes only and may differ from the actual product.

SAFETY INFORMATION

In the interest of your safety and to ensure the correct use, before installing and first using the appliance, read this user manual carefully, including its hints and warnings. To avoid unnecessary mistakes and accidents, it is important to ensure that all people using the appliance are thoroughly familiar with its operation and safety features. Save these instructions and make sure that they remain with the appliance if it is moved or sold, so that everyone using it through its life will be properly informed on appliance use and safety. For the safety of life and property keep to the precautions of these user instructions as the manufacturer is not responsible for damages caused by omission.

Children and vulnerable people safety

- This appliance can be used by children aged of 8 years and above and persons with reduced physical, sensory or mental capabilities, or lack of experience and knowledge if they have supervision or have been given instructions concerning the use of the appliance in a safe way and understand the hazards involved.
- Children aged from 3 to 8 years are allowed to load and unload this appliance.
- Children should be supervised to ensure that they do not play with the appliance.
- Cleaning and user maintenance should not be done by children unless they are aged from 8 years and above and supervised.
- Keep all packaging well away from children. There is risk of suffocation.
- If you are discarding the appliance pull the plug out of the socket, cut the connection cable (as close to the appliance as you can) and remove the door to prevent playing children from suffering electric shock or closing themselves in.
- If this appliance features a magnetic door seal to replace an older appliance having a spring lock (latch) on the door or lid, be sure to make that spring lock unusable before you discard the old appliance. This will prevent it from becoming a death trap for a child.

General safety

WARNING!

- Keep ventilation openings, in the appliance enclosure or in the built-in structure, clear of obstruction.
- Do not use mechanical devices or other means to accelerate the defrosting process, other than those recommended by the manufacturer.
- Do not damage the refrigerant circuit.
- Do not use other electrical appliances (such as ice cream makers) inside of refrigerating appliances, unless they are approved for this purpose by the manufacture.
- Do not touch the light bulb if it has been on for a long period of time because it could be very hot.¹
- When positioning the appliance, ensure the supply cord is not trapped or damaged.
- Do not locate multiple portable socket-outlets or portable power suppliers at the rear of the appliance.
- Do not store explosive substances such as aerosol cans with a flammable propellant in this appliance.
- The refrigerant isobutene (R600a) is contained within the refrigerant circuit of the appliance, a natural gas with a high level of environmental compatibility, which is nevertheless flammable.
- During transportation and installation of the appliance, be certain that none of the components of the refrigerant circuit become damaged.
 - avoid open flames and sources of ignition
 - thoroughly ventilate the room in which the appliance is situated
- It is dangerous to alter the specifications or modify this product

¹ If there is a light in the compartment.

² If there is a freezer compartment.

³ If there is a fresh-food storage compartment.

in any way. Any damage to the cord may cause a short circuit, fire and/or electric shock.

- This appliance is intended to be used in a household and similar applications such as
 - staff kitchen areas in shops, offices and other working environments;
 - farm houses and by clients in hotels, motels and other residential type environments;
 - bed and breakfast type environments;
 - catering and similar non-retail applications.

WARNING!

- Any electrical components (plug, power cord, compressor and etc.) must be replaced by a certified service agent or qualified service personnel.
- The light bulb supplied with this appliance is a "special use light bulb" usable only with the appliance supplied. This "special use lamp" is not usable for domestic lighting.
- Power cord must not be lengthened.
- Make sure that the power plug is not squashed or damaged by the back of the appliance. A squashed or damaged power plug may overheat and cause a fire.
- Make sure that you can come to the main plug of the appliance.
- Do not pull the main cable.
- If the power plug socket is loose, do not insert the power plug. There is a risk of electric shock or fire.
- You must not operate the appliance without the lamp.
- This appliance is heavy. Care should be taken when moving it.
- Do not remove nor touch items from the freezer compartment if your hands are damp/wet, as this could cause skin abrasions or frost/freezer burns.
- Avoid prolonged exposure of the appliance to direct sunlight.

Daily use

- Do not put hot things on the plastic parts in the appliance.
- Do not place food products directly against the rear wall.
- Frozen food must not be re-frozen once it has been thawed out.²
- Store pre-packed frozen food in accordance with the frozen food manufacture, s instructions.²
- Appliance, s manufactures storage recommendations should be strictly adhered to. Refer to relevant instructions.
- Do not place carbonated or fizzy drinks in the freezer compartment as it creates pressure on the container, which may cause it to explode, resulting in damage to the appliance.²
- Ice lollies can cause frost burns if consumed straight from the appliance.²

To avoid contamination of food, please respect the following instructions

- Opening the door for long periods can cause a significant increase of the temperature in the compartments of the appliance.
- Clean regularly surfaces that can come in contact with food and accessible drainage systems.
- Clean water tanks if they have not been used for 48h; flush the water system connected to a water supply if water has not been drawn for 5 days.
- Store raw meat and fish in suitable containers in the refrigerator, so that it is not in contact with or drip onto other food.
- Two-star frozen-food compartments(if they are presented in the appliance) are suitable for storing pre-frozen food, storing or making ice-cream and making ice cubes.
- One-, two- and three -star compartments (if they are presented in the appliance) are not suitable for the freezing of fresh food.
- If the appliance is left empty for long periods, switch off, defrost, clean, dry and leave the door open to prevent mould developing within the appliance.

Care and cleaning

- Before maintenance, switch off the appliance and disconnect the main plug from the power socket.
- Do not clean the appliance with metal objects.
- Do not use sharp objects to remove frost from the appliance. Use a plastic scraper.²
- Regularly examine the drain in the refrigerator for defrosted water. If necessary, clean the drain. If the drain is blocked, water will collect at the bottom of the appliance.³

Installation

IMPORTANT! For electrical connection carefully follow the instructions given in specific paragraphs.

- Unpack the appliance and check if there are damages on it. Do not connect the appliance if it is damaged. Report possible damages immediately to the place you bought it. In that case retain packing.
- It is advisable to wait at least four hours before connecting the appliance to allow the oil to flow back in the compressor.
- Adequate air circulation should be provided around the appliance, lacking this leads to overheating. To achieve sufficient ventilation, follow the instructions relevant to installation.
- Wherever possible the spacers of the product should be against a wall to avoid touching or catching warm parts (compressor, condenser) to prevent possible burn.
- The appliance must not be located close to radiators or cookers.
- Make sure that the main plug is accessible after the installation of the appliance.

Service

- Any electrical work required to do the servicing of the appliance should be carried out by a qualified electrician or competent person.
- This product must be serviced by an authorized Service Center, and only genuine spare parts must be used.

Energy saving

- Do not put hot food in the appliance;
- Do not pack food close together as this prevents air circulating;

- Make sure food does not touch the back of the compartment(s);
- If electricity goes off, do not open the door(s);
- Do not open the door(s) frequently;
- Do not keep the door(s) open for a long time;
- Do not set the thermostat on exceeding cold temperatures;
- Some accessories, such as drawers, can be removed to get larger storage volume and lower energy consumption.

Environment Protection



This appliance does not contain gasses which could damage the ozone layer, in either its refrigerant circuit or insulation materials. The appliance shall not be discarded together with the urban refuse and rubbish. The insulation foam contains flammable gases: the appliance shall be disposed according to the appliance regulations which can be obtained from your local authorities. Avoid damaging the cooling unit, especially the heat exchanger. The materials used on this appliance marked by the ♻️ symbol are recyclable.



The symbol on the product or on its packaging indicates that this product may not be treated as household waste. Instead it should be taken to the appropriate collection point for the recycling of electrical and electronic equipment. By ensuring this product is disposed of correctly, you will help prevent potential negative consequences to the environment and human health, which could otherwise be caused by inappropriate waste handling of this product. For more detailed information about recycling of this product, please contact your local council, your household waste disposal service or the shop where you purchased the product.

Packaging materials

The materials with the symbol are recyclable. Dispose the packaging in a suitable collection container to recycle it.

Disposal of the appliance

1. Disconnect the power plug from the power socket.
2. Cut off the power cable and discard it.



WARNING!

During using, service and disposal the appliance, please pay attention to symbol similar as left side, which is located on rear of appliance (rear panel or compressor) and with yellow or orange color.

It's risk of fire warning symbol. There are flammable materials in refrigerant pipes and compressor.

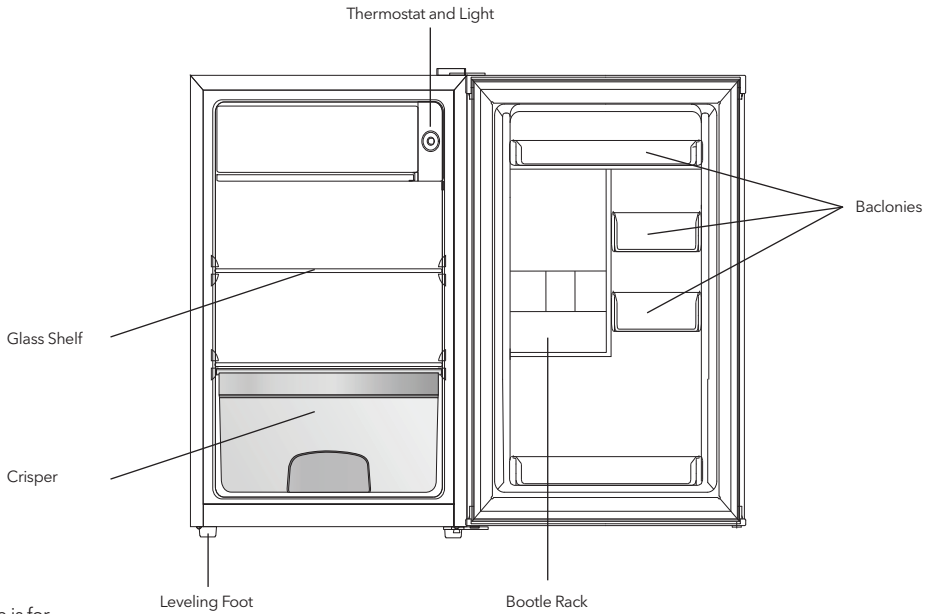
Please be far away fire source during using, service and disposal.

¹ If there is a light in the compartment.

² If there is a freezer compartment.

³ If there is a fresh-food storage compartment.

OVERVIEW

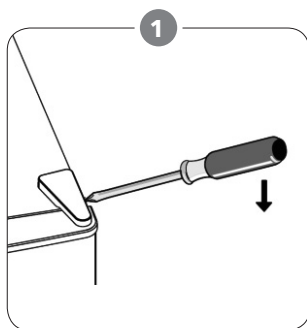


Note: Picture is for reference only. Real appliance probably is different.

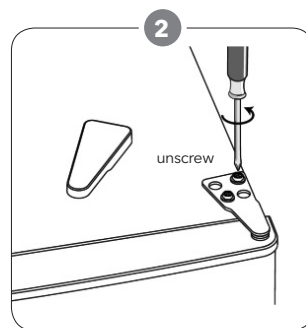
REVERSE DOOR

Tools required: Philips screwdriver, Flat bladed screwdriver, Hexagonal spanner.

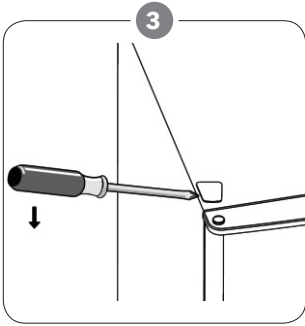
- Ensure the unit is unplugged and empty.
- To take the door off, it is necessary to tilt the unit backwards. You should rest the unit on something solid so that it will not slip during the door reversing process.
- All parts removed must be saved to do the reinstallation of the door.
- Do not lay the unit flat as this may damage the coolant system.
- It's better that 2 people handle the unit during assembly.



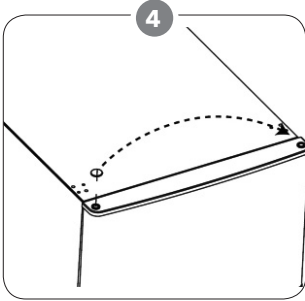
Remove the top right hinge cover.



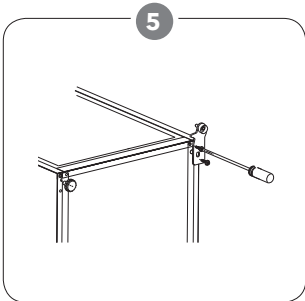
Undo the screws. Then remove the hinge bracket.



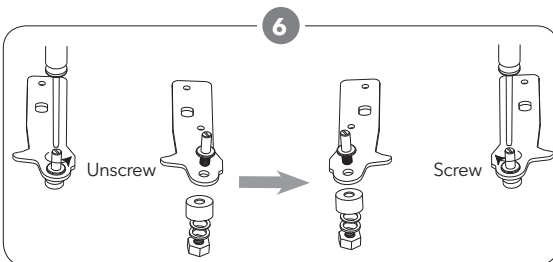
Remove the top left screw cover.



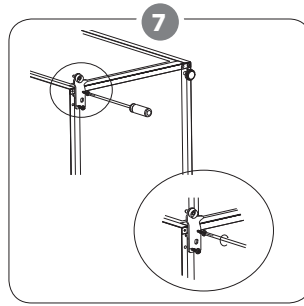
Move the core cover from left side to right side. And then lift the upper door and place it on a padded surface to prevent it from scratching.



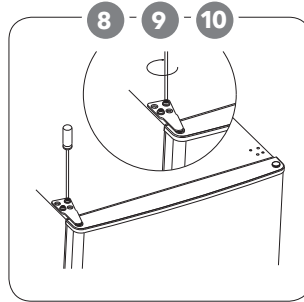
Unscrew bottom hinge. Then remove the adjustable feet from another side.



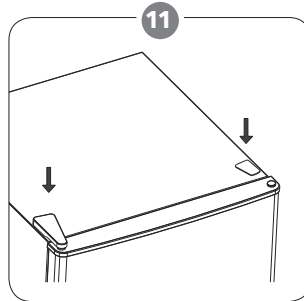
Unscrew and remove the bottom hinge pin with flat screw drivers, turn the bracket over and replacethe pin.



Refitthe bracket fitting the bottom hinge pin. Replace the adjustable foot.



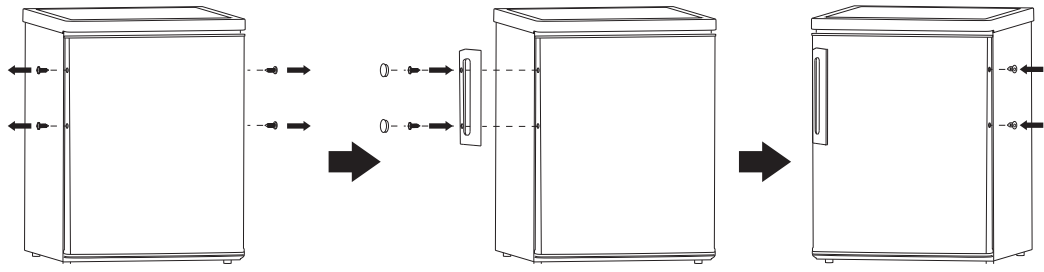
8. Place the door back on. Ensure the door is aligned horizontally and vertically so that the seals are closed on all sides before finally tightening the top hinge.
9. Insertthe hinge bracket and screw itto the top of the unit.
10. Use a spanner to tighten itif necessary.



Put the hinge cover and the screw cover back.

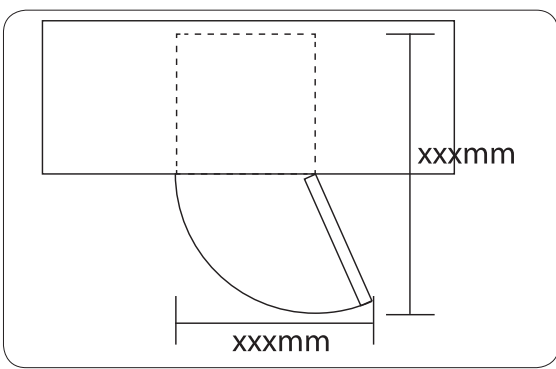
INSTALLATION

Install door external handle



Space Requirement

- Keep enough space for opening of doors.
- Keep at least 50mm gap at two sides.



Positioning

Install this appliance at a location where the ambient temperature corresponds to the climate class indicated on the rating plate of the appliance:

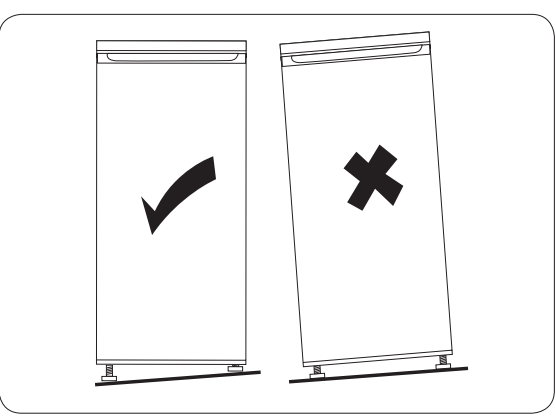
Climate class	Ambient temperature
SN	+10°C to +32°C
N	+16°C to +32°C
ST	+16°C to +38°C
T	+16°C to +43°C

Location

The appliance should be installed well away from sources of heat such as radiators, boilers, direct sunlight etc. Ensure that air can circulate freely around the back of the cabinet to ensure best performance. If the appliance is positioned below an overhanging wall unit, the minimum distance between the top of the cabinet and the wall unit must be at least 100 mm. Ideally, however, the appliance should not be positioned below overhanging wall units. Accurate leveling is ensured by one or more adjustable feet at the base of the cabinet.

Levelling the unit

To do this adjust the two levelling feet at front of the unit. If the unit is not level, the doors and magnetic seal alignments will not be covered properly.



WARNING!

It must be possible to disconnect the appliance from the mains power supply; the plug must therefore be easily accessible after installation.

Electrical connection

Before plugging in, ensure that the voltage and frequency shown on the rating plate correspond to your domestic power supply. The appliance must be grounded. The power supply cable plug is provided with a contact for this purpose. If the domestic power supply socket is not grounded, connect the appliance to a separate ground in compliance with current regulations, consulting a qualified electrician.

The manufacturer declines all responsibility if the above safety precautions are not observed. This appliance complies with the E.E.C. Directives.

DAILY USE

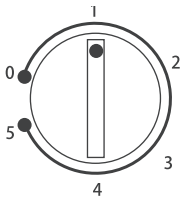
First use

Cleaning the interior

Before using the appliance for the first time, wash the interior and all internal accessories with lukewarm water and some neutral soap so as to remove the typical smell of a brand new product, then dry thoroughly

IMPORTANT! Do not use detergents or abrasive powders, as these will damage the finish.

Temperature Setting

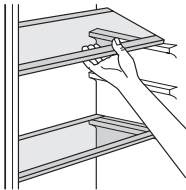


- Plug on your appliance. The internal temperature is controlled by a thermostat. There are 6 (8) settings. 1 is warmest setting, 5 (7) is the coldest setting and 0 is to turn off the appliance.
- The appliance may not operate at the correct temperature if it is in a particularly hot or if you open the door often.

Accessories

Movable shelves

The walls of the refrigerator are equipped with a series of runners so that the shelves can be positioned as desired.



Positioning the door balconies

In order to storage food or beverage with different size, the door balconies can be placed at different height. Follow below process to adjust the shelves.

- Step 1. pull the balcony to be free.
- Step 2. Select suitable position and press the balcony to two convex plates until it is totally blocked.

Vegetable Drawer

The drawer is suitable for storing fruit and vegetables. It can be pulled out freely.

Thawing

Deep-frozen or frozen food, prior to be used, can be thawed in a fridge compartment or at room temperature. Place the frozen food in a dish or bowl to avoid the flowing of condensate water when thaw it in compartment.

Hints for fresh food refrigeration

To obtain the best performance:

- Do not store warm food or evaporating liquids in the refrigerator
- Do cover or wrap the food, particularly if it has a strong flavor
- Position food so that air can circulate freely around it

Hints for refrigeration

- Food (all types): wrap in polythene bags and place on the glass shelves above the vegetable drawer.
- For safety, store in this way only one or two days at the most.
- Cooked foods, cold dishes, etc...: these should be covered and may be placed on any shelf.
- Fruit and vegetables: these should be thoroughly cleaned and placed in the special drawer(s) provided.
- butter and cheese: these should be placed in special airtight containers or wrapped in aluminum foil or polythene bags to exclude as much air as possible.
- Milk bottle: these should have a cap and should be stored in the balconies on the door.
- Bananas, potatoes, onions and garlic, if not packed, must not be kept in the fridge.

Cleaning

For hygienic reasons the appliance interior, including interior accessories, should be cleaned regularly.

! CAUTION!

The appliance may not be connected to the mains during cleaning. Danger of electrical shock! Before cleaning switch the appliance off and remove the plug from the mains, or switch off or turn out the circuit breaker or fuse. Never clean the appliance with a steam cleaner. Moisture could accumulate in electrical components, danger of electrical shock! Hot vapors can lead to the damage of plastic parts. The appliance must be dry before it is placed back into service.

IMPORTANT! Ethereal oils and organic solvents can attack plastic parts, e.g. lemon juice or the juice from orange peel, butyric acid, cleanser that contain acetic acid.

- Do not allow such substances to come into contact the appliance parts.
- Do not use any abrasive cleaners
- Remove the food from the freezer. Store them in a cool place, well covered.
- Switch the appliance off and remove the plug from the mains, or switch off the circuit breaker or fuse.
- Clean the appliance and the interior accessories with a cloth and lukewarm water. After cleaning wipe with fresh water and rub dry.
- Accumulation of dust at the condenser increases energy consumption. For this reason carefully clean the condenser at the back of the appliance once a year with a soft brush or a vacuum cleaner¹
- After everything is dry place appliance back into service.

¹ If the condenser is at back of appliance.

Replace the lamp

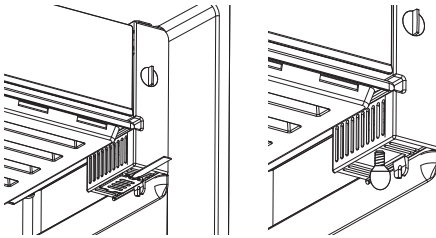
CAUTION!

Before replacing the lamp, shall disconnect the appliance from mains power supply.

Lamp specification is listed in rating label.

Follow below process to replace the lamp:

1. Set the temperature regulation knob at number "0" to switch off the appliance.
2. Unplug the appliance to make sure the appliance is disconnected from main power supply.
3. Remove the screw of the lamp cover.
4. Remove the lamp cover out by a flat screw driver.
5. Unscrew the lamp by two fingers.
6. Fit new lamp according to the opposite direction, then replace the lamp cover.
7. Plug in the appliance and regulate the knob to right position.



Defrosting

The evaporator, however, will become progressively covered with frost. This should be removed. Never use sharp metal tools to scrape off frost from the evaporator as you could damage it. However, when the ice becomes very thick on the evaporator, complete defrosting should be carried out as follows:

- pull out the plug from the socket;
- remove all stored food, wrap it in several layers of newspaper and put it in a cool place;
- keep the door open, and placing a basin underneath the appliance to collect the defrost water;
- when defrosting is completed, dry the interior thoroughly replace the plug in the power socket to run the appliance again.

TROUBLESHOOTING

CAUTION!

Before troubleshooting, disconnect the power supply. Only a qualified electrician or competent person must do the troubleshooting that is not in this manual.

IMPORTANT! There are some sounds during normal use (compressor, refrigerant circulation).

Problem	Possible cause	Solution
Appliance does not work	Temperature regulation knob is set at number "0".	Set the knob at other number to switch on the appliance.
	Power plug is not plugged in or is loose	Insert power plug.
	Fuse has blown or is defective	Check fuse, replace if necessary.
	Socket is defective	Socket malfunctions are to be corrected by an electrician.
The food is too warm.	Temperature is not properly adjusted.	Please look in the initial Temperature Setting section.
	Door was open for an extended period.	Open the door only as long as necessary.
	A large quantity of warm food was placed in the appliance within the last 24 hours.	Turn the temperature regulation to a colder setting temporarily.
	The appliance is near a heat source.	Please look in the installation location section.
Appliance cools too much	Temperature is set too cold.	Turn the temperature regulation knob to a warmer setting temporarily.
Unusual noises	Appliance is not level.	Re-adjust the feet.
	The appliance is touching the wall or other objects.	Move the appliance slightly.
	A component, e.g. a pipe, on the rear of the appliance is touching another part of the appliance or the wall.	If necessary, carefully bend the component out of the way.

If the malfunction shows again, contact the Service Center.

! BEZBEDNOSNA UPUTSTVA

Radi sopstvene bezbjednosti obezbjedite sigurnu upotrebu, prije instalacije i prve upotrebe uređaja, pročitajte ovo korisničko uputstvo, uključujući i savjete i upozorenja. Da biste izbjegli nepotrebne greške i nezgode, važno je da se postarate da sve osobe koje koriste uređaj budu detaljno upoznate s njegovim operacijama i bezbjednosnim funkcijama. Sačuvajte ova uputstva i pobrinite se da budu u sklopu uređaja ako bude premješten ili prodat, kako bi svako, ko ga koristi tokom svog života bio upoznat sa pravilnom upotrebom i bezbjednošću uređaja.

Imajte na umu ovo korisničko uputstvo radi svoje lične sigurnosti i sigurnosti imovine, budući da proizvođač nije odgovoran za štetu učinjenu propustima.

Bezbjednost djece i nesamostalnih osoba

- Ovaj uređaj mogu koristiti djeca starosti 8 ili više godina i osobe sa smanjenim fizičkim, čulnim ili mentalnim sposobnostima, ili manjkom iskustva i znanja ukoliko su pod nadzorom, ili su im data uputstva u vezi sa bezbjednom upotrebom uređaja, i svjesni su mogućeg rizika.
- Djeci uzrasta od 3 do 8 godina je dozvoljeno da stavljaju predmete u i uzimaju predmete iz ovog uređaja.
- Djeca bi trebalo da budu pod nadzorom, kako biste osigurali da se ne igraju uređajem.
- Čišćenjem i održavanjem ne bi trebalo da se bave djeca, osim ako nisu starosti 8 ili više godina i moraju biti pod obaveznim nadzorom.
- Svu ambalažu čuvajte van domašaja djece. Postoji opasnost od gušenja.
- Ukoliko ste odlučili da više ne koristite uređaj, prekinite napajanje uređaja strujom, presijecite kabl za napajanje (što je bliže moguće uređaju) i uklonite vrata, kako biste spriječili mogućnost da djeca, koja se igraju, pretrpe strujni udar ili se zatvore u uređaj.
- Ukoliko ovaj uređaj ima magnetnu gumu na vratima, a želite da njime zamijenite stariji uređaj, koji se zatvara pomoću opruge na vratima ili poklopcu, onemogućite funkcionisanje zatvaranja starijeg uređaja pomoću opruge. Na ovaj način ćete spriječiti da uređaj postane smrtonosna zamka za dijete.

Opšta bezbjednost

! UPOZORENJE!

- Održavajte ventilacione otvore u kućistu frižidera ili ugradnoj strukturi čistima od začepljenja.
- Nemojte koristiti mehaničke uređaje ili druge naprave kako biste ubrzali proces odmrzavanja, osim proizvoda preporučenih od strane proizvođača uređaja.
- Nemojte oštetiti sistem za hlađenje.
- Nemojte stavljati druge električne uređaje (kao što su uređaji za pravljenje sladoleda) u uređaj za hlađenje, osim ako ih proizvođač nije odobrio u ovu svrhu.
- Ne dirajte sijalicu ukoliko radi duže vremena, jer može biti veoma vruća.¹
- Prilikom postavljanja uređaja, uvjerite se da ništa ne pritiska priključni kabl, kao i da kabl nije oštećen.
- Ne postavljajte višestruke prenosive utičnice ili prenosivo napajanje iza uređaja.
- Nemojte čuvati eksplozivne supstance, kao što su ambalaže sprejeva sa zapaljivim gasom u ovom uređaju.
- Supstanca za hlađenje, izobutan (R600a), se nalazi u sistemu za hlađenje uređaja, to je prirodni gas s visokim nivoom ekološke kompatibilnosti, ali izuzetno zapaljiv.
- Pobrinite se da tokom transporta ili postavljanja uređaja ne bude oštećena nijedna komponenta sistema za hlađenje uređaja.
 - izbjegavajte otvoren plamen i izvore zapaljivosti
 - temeljno provjetrite prostoriju, u kojoj se nalazi uređaj
- Opasno je menjati specifikacije ili modifikovati proizvod na bilo

koji način. Bilo kakvo oštećenje kabla može prouzrokovati kratak spoj, požar i/ili strujni udar.

- Ovaj uređaj je namenjen za upotrebu u domaćinstvima i za slične primjene, kao što su
 - prostori za zaposlene u kuhinji, u prodavnicama, kancelarije i druga radna okruženja;
 - poljoprivredna domaćinstva i od strane hotelskih i motelskih gostiju, kao i drugih vrsta ovakvih objekata;
 - objekti koji pružaju uslugu noćenja sa doručkom;
 - katering i slične neprodajne namjene.

! UPOZORENJE!

- Bilo koju električnu komponentu (utikač, kabl za napajanje, kompresor itd.) mora zamijeniti ovlašćeni serviser ili kvalifikovano osoblje.
- Sijalica, dostavljena sa ovim uređajem, je "sijalica za specijalnu namjenu" i može se koristiti samo za uređaj uz koji je dostavljena. Ova "sijalica za specijalnu namjenu" se ne može koristiti za kućno osvjjetljenje.
- Kabl za napajanje se ne smije produžavati.
- Provjerite da li je utikač, na zadnjoj strani uređaja, zgnječen ili oštećen. Zgnječeni ili oštećeni utikač može dovesti do pregrijavanja i izazvati požar.
- Pobrinite se da vam glavni utikač uređaja bude dostupan.
- Nemojte izvlačiti glavni kabl.
- Ukoliko utičnica nije fiksirana, nemojte priključivati aparat. Postoji rizik od strujnog udara ili vatre.
- Ne smijete raditi ništa na uređaju bez osvjjetljenja.
- Uređaj je težak. Budite oprezni tokom pomijeranja uređaja.
- Nemojte uklanjati ili dodirivati elemente iz dijela za zamrzavanje ako su vam ruke vlažne/mokre, budući da to može prouzrokovati ogrebotine ili promrzline na koži.
- Izbjegavajte duže izlaganje aparata direktnoj sunčevoj svjetlosti.

Dnevna upotreba

- Ne stavljajte vruće stvari na plastične dijelove uređaja.
- Ne stavljajte prehrambene proizvode iza zadnji zid.
- Zamrznuta hrana se ne smije ponovo zamrzavati nakon što se otopi.²
- Već zapakovanu zamrznutu hranu čuvajte u skladu sa instrukcijama proizvođača, u vezi sa zamrznutom hranom.²
- Striktno se pridržavajte preporuka proizvođača u pogledu držanja stvari u uređaju. Pridržavajte se relevantnih instrukcija.
- Ne stavljajte gazirana pića u dio za zamrzavanje, budući da to stvara pritisak, koji može prouzrokovati pucanje ambalaže, što može dovesti do oštećenja uređaja.²

Kako biste izbjegli kontaminiranje hrane, pratite sledeća uputstva

- Držanje uređaja otvorenim tokom dugih vremenskih perioda može da dovede do značajnog rasta temperature unutar odjeljaka uređaja.
- Redovno čistite površine koje mogu da dođu u dodir sa hranom, kao i pristupačne djelove odvodnog sistema.
- Očistite rezervoare za vodu ukoliko ih nijeste koristili tokom vremenskog perioda dužeg od 48 h; ukoliko tokom vremenskog perioda od 5 dana nijeste uzimali vodu iz uređaja, isperite sistem za protok vode vodom iz vodovodne mreže.
- Sirovo meso i ribu unutar frižidera držite u odgovarajućim posudama, kako ove namirnice ne bi došle u dodir sa ili kako ne bi kapale po ostaloj hrani.
- Odjeljci za smrznutu hranu označeni sa dvije zvjezdice (ukoliko postoje u okviru uređaja) pogodni su za držanje prethodno smrznute hrane, za držanje ili pravljenje sladoleda i za pravljenje kockica leda.
- Odjeljci označeni jednom, dvijema i trima zvjezdicama (ukoliko postoje u okviru uređaja) nijesu pogodni za zamrzavanje svježe hrane.
- Ukoliko će uređaj biti prazan tokom dužeg vremenskog perioda,

¹ Ukoliko u uređaju postoji.

² Ukoliko postoji dio za zamrzavanje.

³ Ukoliko postoji dio za čuvanje sveže hrane

isključite ga, odledite, očistite i osušite, a zatim ostavite vrata uređaja otvorenim kako biste spriječili razvoj buđi u unutrašnjosti uređaja.

Održavanje i čišćenje

- Prije održavanja, isključite uređaj, ili prekinite dotok električne energije.
- Uređaj nemojte čistiti metalnim predmetima.
- Ne koristite oštre predmete, da bi uklonili led sa uređaja. Koristite plastična sredstva za struganje.²
- Redovno provjeravajte odvod za odleđenu vodu u frižideru. Ukoliko je potrebno, očistite odvod. Ukoliko je odvod blokiran, voda će se sakupljati na dnu uređaja.³

Instalacija uređaja

VAŽNO! Za priključivanje na električnu mrežu, pažljivo pratite uputstva data u specifičnim dijelovima uputstva.

- Raspakujte uređaj i provjerite da li postoje na njemu oštećenja. Ne povežite uređaj na struju, ukoliko je oštećen. Moguća oštećenja odmah prijavite u mjestu gdje ste ga kupili. U tom slučaju zadržite ambalažu uređaja.
- Preporučuje se, da sačekate najmanje četiri sata prije nego što priključite uređaj, kako bi se ulje vratilo u kompresor.
- Potrebno je obezbijediti adekvatno strujanje vazduha oko uređaja, nepostojanje ovoga može dovesti do pregrijavanja. Za postizanje odgovarajućeg protoka vazduha, pratite uputstva potrebna za instalaciju uređaja.
- Gdje god je moguće, razmaknica mora biti postavljena između uređaja i zida, kako bi se izbjeglo dodirivanje ili hvatanje za vruće dijelove (kompresor, kondenzator) kako bi se izbjegle moguće opekotine.
- Uređaj ne smije biti postavljen blizu radijatora ili štednjaka.
- Pobrinite se da bude obezbijeđen lak pristup glavnom utikaču i nakon postavljanja uređaja..

Servisiranje

- Bilo kakvo servisiranje uređaja, koje zahtjeva električne radove, treba da bude obavljen od strane kvalifikovanog električara ili kompetentne osobe.
- Samo ovlašćeni centar za servisiranje može obaviti popravke na uređaju, i mogu se koristiti samo originalni rezervni dijelovi.

Ušteda energije

- Ne stavljate vruću hranu u uređaj;
- Ne pakujte svu hranu zajedno, budući da to sprječava cirkulaciju vazduha;
- Pobrinite se da hrana ne dotiče zadnji dio pregrade(a);
- Ukoliko nestane struje, ne otvarajte vrata;
- Ne otvarajte često vrata;
- Ne držite vrata otvorena drugo;
- Nemojte postavljati termostat na izuzetno niske temperature
- Određeni elementi, kao što su fioke, mogu biti uklonjeni, kako bi se napravila veća zapremina za skladištenje, i smanjila potrošnja energije.

Zaštita životne sredine



Ovaj uređaj ne sadrži gasove, koji mogu oštetiti ozonski omotač, ni u sistemu za hlađenje, ni u materijalima za izolaciju. Uređaj ne bi trebalo odlagati zajedno sa gradskim ili kućnim otpadom. Izolaciona pjena sadrži zapaljive gasove: uređaj bi trebalo odložiti u skladu sa propisima za uređaje, koje su izdale lokale vlasti. Izbjegavajte pravljenje oštećenja dijela za hlađenje, posebno dijela za razmjenu toplote. Materijali korišćeni za ovaj uređaj, mogu se reciklirati ukoliko su označeni simbolom za reciklažu. ♻️



Oznaka na proizvodu, ili njegovom pakovanju, ukazuje da ovaj proizvod ne smije biti tretiran kao otpad nastao u domaćinstvu. Umjesto toga, treba ga ostaviti na odgovarajućem mjestu, na kojem se sakuplja električna i elektronska oprema. Osiguravanjem da je proizvod ispravno odložen, pomoć ćete sprečavanju potencijalnih negativnih posljedica po životnu sredinu i ljudsko zdravlje, koje inače mogu biti uzrokovane nepravilnim odlaganjem otpada ovog uređaja. Za više detalja o recikliranju ovog proizvoda, molimo vas da kontaktirate svoj lokalni organ za zaštitu životne sredine, preduzeće za odlaganje komunalnog otpada ili prodavnicu, u kojoj ste kupili proizvod.

Materijali ambalaže

Materijali označeni ovim simbolom mogu se reciklirati. Ambalažu odložite u odgovarajući konterjner za prikupljanje otpada za reciklažu.

Odlaganje uređaja

1. Prekinite napajanje uređaja strujom.
2. Odsijecite kabl za napajanje i odložite ga.



UPOZORENJE!

Priključivanjem, servisiranju i odlaganju uređaja, imajte u vidu oznaku nalik ocnaci prikazanoj na slici lijevo, koja se nalazi na zadnjem dijelu uređaja (tabla ili kompresor na zadnjem delu uređaja), a koja je žute ili narandžaste boje.

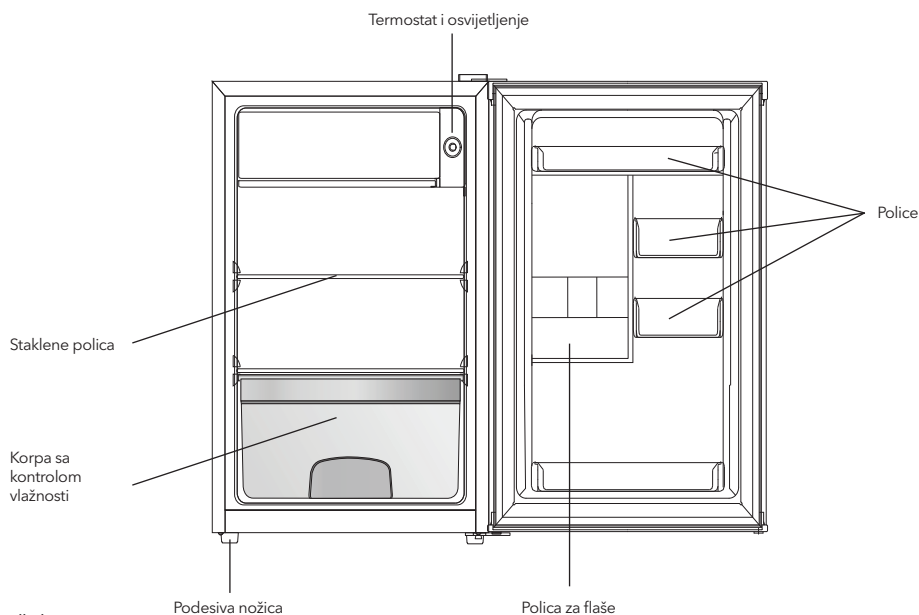
Ova oznaka predstavlja simbol rizika od požara. U cijevima za rashladno sredstvo i u kompresoru se nalaze zapaljivi materijali. Molimo Vas da tokom upotrebe, servisiranja i odlaganja, uređaj držite dalje od izvora požara.

¹ Ukoliko u uređaju postoji.

² Ukoliko postoji dio za zamrzavanje.

³ Ukoliko postoji dio za čuvanje sveže hrane

PREGLED

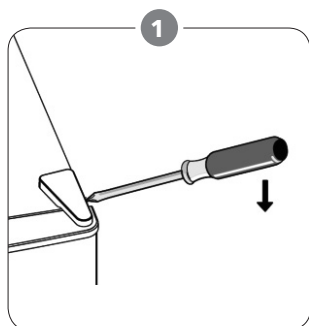


Ova ilustracija je samo okvirna, molimo vas da za detalje pogledajte svoj uređaj.

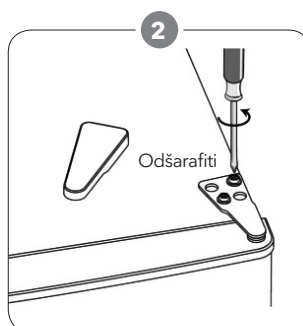
ZAMIJENA SMJERA OTVARANJA VRATA

Potrebna alat: Philips odvijač, ravni odvijač, šestougaoni ključ.

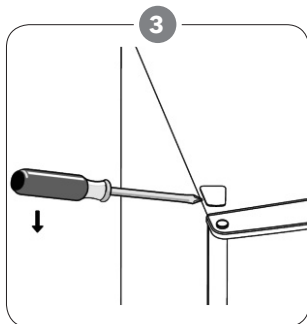
- Pobrinite se da uređaj bude isključen i prazan.
- Da biste skinuli vrata, potrebno je da uređaj nagnete unazad. Uređaj treba da bude postavljen na tvrdu podlogu, kako se ne bi dogodilo da isklizne prilikom zamijene položaja vrata.
- Svi uklonjeni dijelovi moraju biti sačuvani radi ponovnog instaliranja vrata.
- Uređaj nemojte stavljati u horizontalan položaj, jer to može oštetiti sistem za hlađenje.
- Preporučuje se da dvije osobe učestvuju u montiranju.



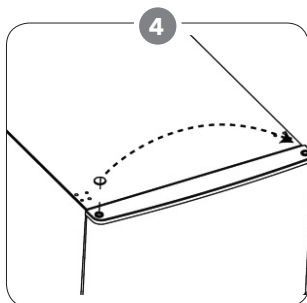
Uklonite gornji desni poklopac šarke.



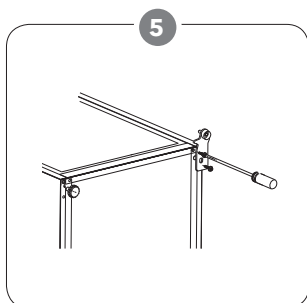
Odšarafite šrafove. Zatim uklonite podupirač šarke.



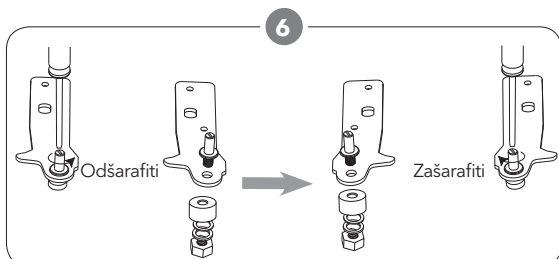
Uklonite gornji lijevi poklopac sa šrafa.



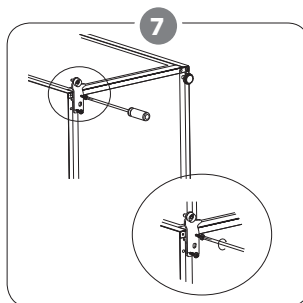
Pomerite poklopac sa leva nadesno. I zatim podignite gornja gornja vrata i odložite ih na meku podlogu da bi spriječili stvaranje ogrebotina.



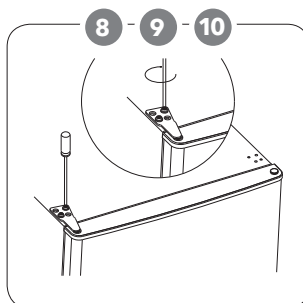
Odšarafite donju šarku. Zatim skinite nožice za podešavanje visine sa druge strane.



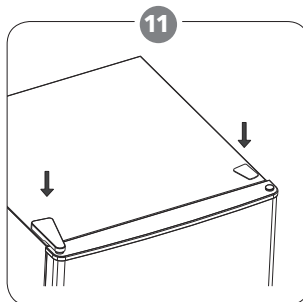
Odšarafite i skinite osovinu donje šarke pomoću ravnih odvijača, obrnite nosač i ponovo postavite osovinu.



Ponovo postavite nosač na osovinu donje šarke. Ponovo postavite nožicu za podešavanje visine.



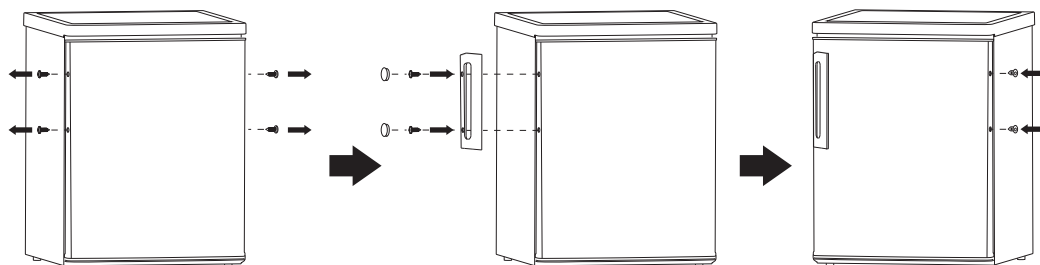
8. Ponovo postavite vrata. Prije nego što potpuno pričvrstite gornju šarku, postarajte se da vrata poravnate i po horizontalnoj i po vertikalnoj osi kako bi zaptivke nalegle sa svih strana.
9. Postavite nosač šarke i pričvrstite ga za gornji dio jedinice.
10. Ukoliko je potrebno, pričvrstite ključem.



Ponovo postavite oblogu šarke i poklopac šrafa.

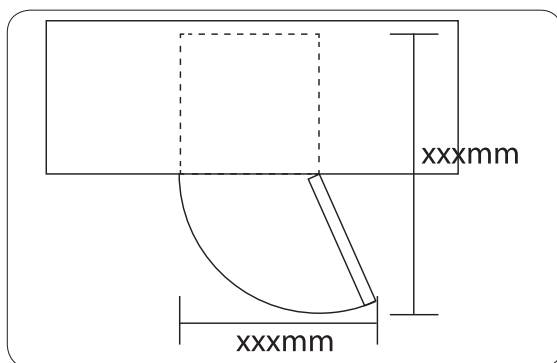
UGRADNJA UREĐAJA

Postavite ručku za vrata



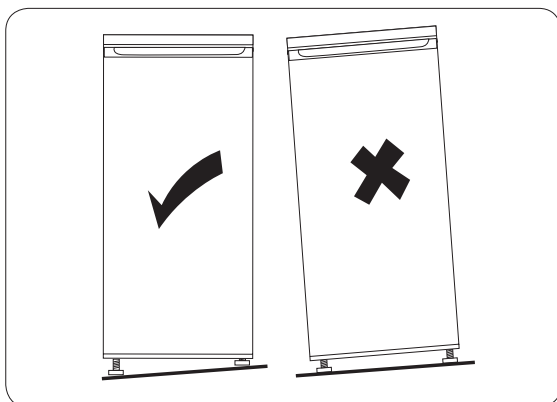
Potrebe prostora

- Ostavite dovoljno mjesta za otvaranje vrata.
- Ostavite najmanje 50mm razmaka s obje strane



Nivelacija uređaja

Kako biste ovo uradili, podesite dvije podesne nožice s prednje strane uređaja. Ukoliko uređaj nije nivelisan, vrata i magnetna guma neće pravilno prijanjati.



Postavljanje uređaj

Postavite ovaj uređaj na mjesto, na kojem će sobna temperatura odgovarati klimatskom razredu, naznačenom na specifikaciji proizvoda:

Klimatska klasa	Sobna temperatura
SN	+10°C to +32°C
N	+16°C to +32°C
ST	+16°C to +38°C
T	+16°C to +43°C

Lokacija

Uređaj treba da bude postavljen daleko od izvora toplote, kao što su radijatori, bojleri, izlaganje direktnim sunčevim zracima itd. Postarajte se da vazduh slobodno cirkuliše oko zadnjeg dijela frižidera, kako biste osigurali najbolju učinak. Ukoliko je uređaj postavljen ispod visećeg dijela, minimalni razmak između vrha uređaja i visećeg dijela treba da bude bar 100 mm. Idealno bi bilo da uređaj ne bude postavljen ispod visećeg dijela. Odgovarajuća nivelacija se postiže uz pomoć jedne ili više podesnih nožica, u zavisnosti od uređaja.

⚠ UPOZORENJE!

Prekidanje napajanja uređaja mora biti omogućeno; iz tog razloga, utičnica mora biti dostupna nakon postavljanja uređaja.

Povezivanje na struju

Prije uključivanja, provjerite da napon i frekvencija prikazana na tablici specifikacije odgovaraju naponu struje domaćinstva. Uređaj mora biti uzemljen. Kabl za napajanje električnom energijom je opremljen kontaktom za ovu namijenu. Ukoliko utičnica u domaćinstvu nema uzemljenje, priključite uređaj na izdvojeno uzemljenje u skladu sa trenutnim propisima; konsultujte se sa kvalifikovanim električarem. Proizvođač ne snosi nikakvu odgovornost, ukoliko gore navedene preventivne mjere nisu ispoštovane. Ovaj uređaj ispunjava uslove EEC direktiva.

DNEVNA UPOTREBA

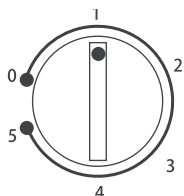
Prva upotreba

Čišćenje unutrašnjosti uređaja

Prije korišćenja uređaja po prvi put, očistite unutrašnjost i sve unutrašnje elemente mlakom vodom i neutralnim sapunom, kako biste uklonili tipičan miris novog proizvoda, a zatim ga dobro osušite.

VAŽNO! Ne koristite deterdžente ili abrazivna sredstva, budući da mogu da oštete površinu.

Podešavanje temperature

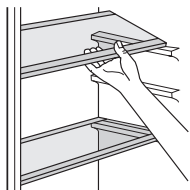


- Uključite svoj uređaj. Unutrašnju temperaturu reguliše termostat. Postoji 6 (8) nivoa temperature, 1 je najtopliji nivo, 5 (7) je najhladniji, i 0 znači da je uređaj isključen.
- Uređaj možda neće raditi na pravoj temperaturi, ako se nalazi u veoma toplom okruženju ili ako često otvarate vrata.

Prateći elementi

Police koje se mogu pomjeriti

Zidovi frižidera imaju niz žljebova, tako da se police mogu podešavati po želji.



Pozicioniranje police u vratima

Kako bi se omogućilo držanje hrane ili pića u ambalaži različitih dimenzija, police na vratima se mogu postavljati na različitim visinama. Da podesite police, pratite sljedeće korake:

- Korak 1: policu u vratima izvucite kako biste je izvadili.
- Korak 2: Odaberite odgovarajuću poziciju za policu i utisnite je u dvije konveksne pločice sve dok je potpuno ne zablokirate.

Fioka za povrće

Fioka je adekvatna za držanje voća i povrća. Može se potpuno izvući.

Otapanje

Duboko zamrznuta ili zamrznuta hrana se, prije upotrebe, može otapati u odjeljku za rashlađivanje ili na sobnoj temperaturi. Kako biste spriječili prelivanje kondenzovane vode prilikom otapanja u odjeljku frižidera, smrznutu hranu stavite u tanjir ili činiju.

Korisni savjeti

Kako biste dobili najbolji učinak:

- Ne čuvajte vruću hranu ili tečnosti koje isparavaju u frižideru
- Pokrijte ili uvijte hranu, naročito ako ima jak miris
- Rasporedite hranu tako da vazduh može da slobodno cirkuliše oko nje

Savjeti za čuvanje hrane u frižideru

- Hrana (sve vrste): uvijte u polietilenske kese i stavite na staklene police iznad fioke za povrće.
- Radi sigurnosti, hranu na ovaj način čuvajte jedan dan, najviše dva.
- Kuhana hrana, hladna jela, itd...: treba ih pokriti i mogu se odložiti na bilo koju policu.
- Voće i povrće: treba da bude temeljno oprano i odloženo u fioke, namenjene za njihovo čuvanje.
- Buter i sir: treba da budu stavljeni u specijalne posude koje ne propuštaju vazduh, ili zavijeni u aluminijumske folije ili polietilenske kese kako bi se uklonilo što više vazduha.
- Boce s mlijekom/jogurtom: treba da budu zatvorene i da se čuvaju u policama na vratima.
- Banane, krompir, luk i bijeli luk, ukoliko nisu zapakovani, ne smiju biti čuvani u frižideru

Čišćenje

Iz higijenskih razloga unutrašnjost uređaja, uključujući i unutrašnje elemente, treba čistiti redovno.

! OPREZI!

Uređaj ne smije biti povezan strujom tokom čišćenja. Postoji opasnost od strujnog udara! Prije čišćenja uređaja, isključite ga i prekinite dotok električne energije, ili isključite automatsku sklopku ili osigurač.

Uređaj nikako ne čistite paročistačem. Vлага može da se nakupi u električnim komponentama, opasnost od strujnog udara! Vrela isparenja mogu dovesti do oštećenja plastičnih dijelova. Uređaj mora biti suh prije ponovne upotrebe..

VAŽNO! Eterična ulja i organski rastvarači mogu nagristi plastične dijelove, na primjer limunov sok, ili sok od pomorandžine kore, karboksilne kiseline, sredstva za čišćenje koja sadrže sirćetnu kiselinu.

- Ne dozvolite da ovakve supstance dođu u kontakt sa dijelovima uređaja.
- Nemojte koristiti abrazivna sredstva za čišćenje
- Uklonite hranu iz zamrzivača. Hranu čuvajte na hladnom mjestu, i dobro je pokrijte.
- Isključite uređaj i prekinite dotok električne energije, ili isključite automatsku sklopku ili osigurač.
- Očistite uređaj i unutrašnje elemente tkaninom i mlakom vodom. Nakon čišćenja isperite čistom vodom i osušite krpom.
- Nagomilavanje prašine na kondenzatoru povećava utrošak energije. Zato je potrebno jednom godišnje mekom četkom ili usisivačem pažljivo očistiti kondenzator pozicioniran na poleđini uređaja.¹
- Nakon što sve bude suho, ponovo uključite uređaj.

¹ Ukoliko je kondenzator pozicioniran na poleđini uređaja.

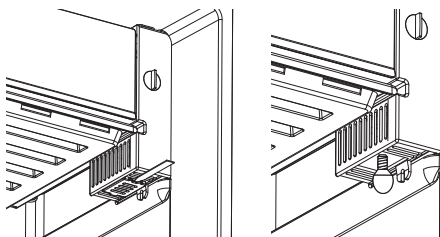
Mijenjanje sijalice

! OPREZ!

Prije zamijene sijalice, trebalo bi da prekinete napajanje uređaja strujom.

Specifikacije sijalice su navedene na etiketi. Pratite sljedeće korake, kako biste zamijenili sijalicu:

1. Postavite regulator temperature na "0" kako biste isključili uređaj.
2. Isključite aparat, kako biste bili sigurni, da uređaj nije povezan sa izvorom napajanja.
3. Uklonite šraf sa štitnika za sijalicu.
4. Skinite poklopac lampice ravnim odvijačem.
5. Odšarafite lampicu uz pomoć dva prsta.
6. Postavite novu lampicu rotiranjem u suprotnom smjeru, a zatim ponovo postavite poklopac za lampicu.
7. Priključite uređaj na napajanje i okrenite toččić na odgovarajuću poziciju.



Otapanje zamrzivača

Vremenom će isparivač biti prekriven slojem leda. Njega treba ukloniti. Nikad ne koristite oštre metalne alate da biste skinuli led sa isparivača, budući da ga tako možete oštetiti. Međutim, ukoliko je sloj leda veoma debeo na isparivaču, proces odleđivanja treba obaviti na sledeći način:

- prekinite napajanje uređaja strujom;
- uklonite svu hranu iz uređaja, umotajte je u nekoliko slojeva novina i odložite je na hladno mesto;
- držite vrata otvorena, i postavite lavor ispod uređaja, kako bi se tu sakupljala odleđena voda;
- kada proces odleđivanja bude gotov, temeljno osušite

RJEŠAVANJE PROBLEMA

! OPREZ!

Prije rešavanja problema, prekinite napajanje električnom energijom. Samo kvalifikovani električar ili kompetentna osoba treba da riješi problem koji nije naveden u ovom uputstvu.

VAŽNO! Postoje određeni zvukovi, koje uređaj proizvodi tokom normalne upotrebe (kompresor, rashladni dio uređaja).

Problem	Mogući uzrok	Rješenje
Uređaj ne radi	Regulator temperature je postavljen na "0".	Postavite regulator temperature na neki drugi broj, kako biste uključili uređaj.
	Uređaj nije priključen na strujno kolo.	Utaknite utikač.
	Osigurač je ispao ili je neispravan.	Provjerite osigurač, zamijenite ga ako je potrebno.
	Utičnica je neispravna.	Kvarove utikača treba da popravi električar.
Hrana je pretopla.	Temperatura nije pravilno podešena.	Molimo vas, pogledajte odeljak za osnovni nivo temperature.
	Vrata su bila otvorena duže vremena.	Držite vrata otvorenim samo onoliko, koliko je potrebno.
	Velika količina tople hrane je stavljena u uređaj u poslednja 24 sata.	Podesite regulator temperature na privremeno na nižu temperaturu.
	Uređaj je blizu izvora toplote.	Molimo vas, pogledajte odeljak za lokaciju i instalaciju.
Uređaj previše hladi	Regulator temperature je podešen na hladno.	Podesite regulator temperature na privremeno na višu temperaturu
Neobični zvukovi	Uređaj nije nivelisan.	Ponovo podesite nožice.
	Uređaj dodiruje zid ili druge predmete.	Malo pomjerite uređaj.
	Dio, kao što je cjevovod na zadnjoj strani uređaja, dodiruje druge dijelove uređaja ili zid.	Ukoliko je potrebno, pažljivo uklonite dio koji predstavlja prepreku.

Ukoliko se kvar pojavi ponovo, kontaktirajte Servisni centar.

⚠ BEZBEDNOSNA UPUTSTVA

Radi sopstvene bezbednosti obezbedite sigurnu upotrebu, pre instalacije i prve upotrebe uređaja, pročitajte ovo korisničko uputstvo, uključujući i savete i upozorenja. Da biste izbegli nepotrebne greške i nezgode, važno je da se postarate da sve osobe koje koriste uređaj budu detaljno upoznate s njegovim operacijama i bezbedonosnim funkcijama. Sačuvajte ova uputstva i pobrinite se da budu u sklopu uređaja ako bude premešten ili prodat, kako bi svako, ko ga koristi tokom svog života bio upoznat sa pravilnom upotrebom i bezbednošću uređaja.

Imajte na umu ovo korisničko uputstvo radi svoje lične sigurnosti i sigurnosti imovine, budući da proizvođač nije odgovoran za štetu učinjenu propustima.

Bezbednost dece i nesamostalnih osoba

- Ovaj uređaj mogu koristiti deca starosti 8 ili više godina i osobe sa smanjenim fizičkim, čulnim ili mentalnim sposobnostima, ili manjkom iskustva i znanja ukoliko su pod nadzorom, ili su im data uputstva u vezi sa bezbednom upotrebom uređaja, i svesni su mogućeg rizika.
- Deci uzrasta od 3 do 8 godina je dozvoljeno da stavljaju predmete u i uzimaju predmete iz ovog uređaja.
- Deca bi trebalo da budu pod nadzorom, kako biste osigurali da se ne igraju uređajem.
- Čišćenjem i održavanjem ne bi trebalo da se bave deca, osim ako nisu starosti 8 ili više godina i moraju biti pod obaveznim nadzorom.
- Svu ambalažu čuvajte van domašaja dece. Postoji opasnost od gušenja.
- Ukoliko ste odlučili da više ne koristite uređaj, prekinite napajanje uređaja strujom, preseците kabl za napajanje (što je bliže moguće uređaju) i uklonite vrata, kako biste sprečili mogućnost da deca, koja se igraju, pretrpe strujni udar ili se zatvore u uređaj.
- Ukoliko ovaj uređaj ima magnetnu gumu na vratima, a želite da njime zamenite stariji uređaj, koji se zatvarao pomoću opruge na vratima ili poklopcu, onemogućite funkcionisanje zatvaranja starijeg uređaja pomoću opruge. Na ovaj način ćete sprečiti da uređaj postane smrtonosna zamka za dete.

Opšta bezbednost

⚠ UPOZORENJE!

- Održavajte ventilacione otvore u kućištu frižidera ili ugradnoj strukturi čistima od začepljenja.
- Nemojte koristiti mehaničke uređaje ili druge naprave kako biste ubrzali proces odmrzavanja, osim proizvoda preporučenih od strane proizvođača uređaja.
- Nemojte oštetiti sistem za hlađenje.
- Nemojte stavljati druge električne uređaje (kao što su uređaji za pravljenje sladoleda) u uređaj za hlađenje, osim ako ih proizvođač nije odobrio u ovu svrhu.
- Ne dirajte sijalicu ukoliko radi duže vremena, jer može biti veoma vruća.¹
- Prilikom postavljanja uređaja, uverite se da ništa ne pritisaka priključni kabl, kao i da kabl nije oštećen.
- Ne postavljajte višestruke prenosive utičnice ili prenosivo napajanje iza uređaja.
- Nemojte čuvati eksplozivne supstance, kao što su ambalaže sprejeva sa zapaljivim gasom u ovom uređaju.
- Supstanca za hlađenje, izobutan (R600a), se nalazi u sistemu za hlađenje uređaja, to je prirodni gas s visokim nivoom ekološke kompatibilnosti, ali izuzetno zapaljiv.
- Pobrinite se da tokom transporta ili postavljanja uređaja ne bude oštećena nijedna komponenta sistema za hlađenje uređaja.

¹ Ukoliko u uređaju postoji.

² Ukoliko postoji deo za zamrzavanje.

³ Ukoliko postoji deo za čuvanje sveže hrane

- izbegavajte otvoren plamen i izvore zapaljivosti
- temeljno proventrite prostoriju, u kojoj se nalazi uređaj
- Opasno je menjati specifikacije ili modifikovati proizvod na bilo koji način. Bilo kakvo oštećenje kabla može prouzrokovati kratak spoj, požar i/ili strujni udar.
- Ovaj uređaj je namenjen za upotrebu u domaćinstvima i za slične primene, kao što su
 - prostori za zaposlene u kuhinji, u prodavnicama, kancelarije i druga radna okruženja;
 - poljoprivredna domaćinstva i od strane hotelskih i motelskih gostiju, kao i drugih vrsta ovakvih objekata;
 - objekti koji pružaju uslugu noćenja sa doručkom;
 - catering i slične neprodajne namene.

⚠ UPOZORENJE!

- Bilo koju električnu komponentu (utikač, kabl za napajanje, kompresor itd.) mora zameniti ovlašćeni serviser ili kvalifikovano osoblje.
- Sijalica, dostavljena sa ovim uređajem, je "sijalica za specijalnu namenu" i može se koristiti samo za uređaj uz koji je dostavljena. Ova "sijalica za specijalnu namenu" se ne može koristiti za kućno osvetljenje.
- Kabl za napajanje se ne sme produžavati.
- Proverite da li je utikač, na zadnjoj strani uređaja, zgnječen ili oštećen. Zgnječen ili oštećen utikač može dovesti do pregrevanja i izazvati požar.
- Pobrinite se da vam glavni utikač uređaja bude dostupan.
- Nemojte izvlačiti glavni kabl.
- Ukoliko utičnica nije fiksirana, nemojte priključivati aparat. Postoji rizik od strujnog udara ili vatre.
- Ne smete raditi ništa na uređaju bez osvetljenja.
- Uređaj je težak. Budite oprezni tokom pomeranja uređaja.
- Nemojte uklanjati ili dodirivati elemente iz dela za zamrzavanje ako su vam ruke vlažne/mokre, budući da to može prouzrokovati ogrebotine ili promrzline na koži.
- Izbegavajte duže izlaganje aparata direktnoj sunčevoj svetlosti.

Dnevna upotreba

- Ne stavljajte vruće stvari na plastične delove uređaja.
 - Ne stavljate prehrambene proizvode iza zadnji zid.
 - Zamrznuta hrana se ne sme ponovo zamrzavati nakon što se otopi.²
 - Već zapakovanu zamrznutu hranu čuvajte u skladu sa instrukcijama proizvođača, u vezi sa zamrznutom hranom.²
 - Striktno se pridržavajte preporuka proizvođača u pogledu držanja stvari u uređaju. Pridržavajte se relevantnih instrukcija.
 - Ne stavljate gazirana pića u deo za zamrzavanje, budući da to stvara pritisak, koji može prouzrokovati pucanje ambalaže, što može dovesti do oštećenja uređaja.²
- Kako biste izbegli kontaminiranje hrane, pratite sledeća uputstva
- Držanje uređaja otvorenim tokom dugih vremenskih perioda može da dovede do značajnog rasta temperature unutar odeljaka uređaja.
 - Redovno čistite površine koje mogu da dodu u dodir sa hranom, kao i pristupačne delove odvodnog sistema.
 - Očistite rezervoare za vodu ukoliko ih niste koristili tokom vremenskog perioda dužeg od 48 h; ukoliko tokom vremenskog perioda od 5 dana niste uzimali vodu iz uređaja, isperite sistem za protok vode vodom iz vodovodne mreže.
 - Sirovo meso i ribu unutar frižidera držite u odgovarajućim posudama, kako ove namirnice ne bi došle u dodir sa ili kako ne bi kapale po ostaloj hrani.
 - Odeljci za smrznutu hranu označeni sa dve zvezdice (ukoliko postoje u okviru uređaja) pogodni su za držanje prethodno

smrznute hrane, za držanje ili pravljenje sladoleda i za pravljenje kockica leda.

- Odeljci označeni jednom, dvema i trima zvezdicama (ukoliko postoje u okviru uređaja) nisu pogodni za zamrzavanje sveže hrane.
- Ukoliko će uređaj biti prazan tokom dužeg vremenskog perioda, isključite ga, odledite, očistite i osušite, a zatim ostavite vrata uređaja otvorenim kako biste sprečili razvoj buđi u unutrašnjosti uređaja.

Održavanje i čišćenje

- Pre održavanja, isključite uređaj, ili prekinite dotok električne energije.
- Uređaj nemojte čistiti metalnim predmetima.
- Ne koristite oštre predmete, da bi uklonili led sa uređaja. Koristite plastična sredstva za struganje.²
- Redovno proveravajte odvod za odledenu vodu u frižideru. Ukoliko je potrebno, očistite odvod. Ukoliko je odvod blokiran, voda će se sakupljati na dnu uređaja.³

Instalacija uređaja

VAŽNO! Za priključivanje na električnu mrežu, pažljivo pratite uputstva data u specifičnim delovima uputstva.

- Raspakujte uređaj i proverite da li postoje na njemu oštećenja. Ne povezujte uređaj na struju, ukoliko je oštećen. Moguća oštećenja odmah prijavite u mestu, gde ste ga kupili. U tom slučaju zadržite ambalažu uređaja.
- Potrebno je obezbediti adekvatno strujanje vazduha oko uređaja, nepostojanje ovoga može dovesti do pregrevanja. Za postizanje odgovarajućeg protoka vazduha, pratite uputstva potrebna za instalaciju uređaja.
- Gde god je moguće, razmaknica mora biti postavljena između uređaja i zida, kako bi se izbeglo dodirivanje ili hvatanje za vruće delove (kompresor, kondenzator) kako bi se izbegle moguće opekotine.
- Uređaj ne sme biti postavljen blizu radijatora ili štednjaka.
- Pobrinite se da bude obezbeđen lak pristup glavnom utikaču i nakon postavljanja uređaja.

Servisiranje

- Bilo kakvo servisiranje uređaja, koje zahteva električne radove, treba da bude obavljen od strane kvalifikovanog električara ili kompetentne osobe.
- Samo ovlašćeni centar za servisiranje može obaviti popravke na uređaju, i mogu se koristiti samo originalni rezervni delovi.

Ušteda energije

- Ne stavljate vruću hranu u uređaj;
- Ne pakujte svu hranu zajedno, budući da to sprečava cirkulaciju vazduha;
- Pobrinite se da hrana ne dotiče zadnji deo pregrade(a);
- Ukoliko nestane struje, ne otvarajte vrata;
- Ne otvarajte često vrata;
- Ne držite vrata otvorena drugo;
- Nemojte postavljati termostat na izuzetno niske temperature
- Određeni elementi, kao što su fioke, mogu biti uklonjeni, kako bi se napravila veća zapremina za skladištenje, i smanjila potrošnja energije.

Zaštita životne sredine



Ovaj uređaj ne sadrži gasove, koji mogu oštetiti ozonski omotač, ni u sistemu za hlađenje, ni u materijalima za izolaciju. Uređaj ne bi trebalo odlagati zajedno sa gradskim ili kućnim otpadom. Izolaciona pena sadrži zapaljive gasove: uređaj bi trebalo odložiti u skladu sa propisima za uređaje, koje su izdale lokale vlasti. Izbegavajte pravljenje oštećenja dela za hlađenje, posebno dela za razmenu toplote. Materijali korišćeni za ovaj uređaj, mogu se reciklirati ukoliko su označeni simbolom za reciklažu.



Oznaka na proizvodu, ili njegovom pakovanju, ukazuje da ovaj proizvod ne sme biti tretiran kao otpad nastao u domaćinstvu. Umesto toga, treba ga ostaviti na odgovarajućem mestu, na kojem se sakuplja električna i elektronska oprema.

Osiguravanjem da je proizvod ispravno odložen, pomoć ćete sprečavanju potencijalnih negativnih posledica po životnu sredinu i ljudsko zdravlje, koje inače mogu biti uzrokovane nepravilnim odlaganjem otpada ovog uređaja. Za više detalja o recikliranju ovog proizvoda, molimo vas da kontaktirate svoju lokalni organ za zaštitu životne sredine, preduzeće za odlaganje komunalnog otpada ili prodavnicu, u kojoj ste kupili proizvod.

Materijali ambalaže

Materijali označeni ovim simbolom mogu se reciklirati. Ambalažu odložite u odgovarajući konterjner za prikupljanje otpada za reciklažu.

Odlaganje uređaja

1. Prekinite napajanje uređaja strujom.
2. Odsecite kabl za napajanje i odložite ga.



UPOZORENJE!

Prilikom upotrebe, servisiranja i odlaganja uređaja, imajte u vidu oznaku nalik oznaci prikazanoj na slici levo, koja se nalazi na zadnjem delu uređaja (tabla ili kompresor na zadnjem delu uređaja), a koja je žute ili narandžaste boje.

Ova oznaka predstavlja simbol rizika od požara. U cevima za rashladno sredstvo i u kompresoru se nalaze zapaljivi materijali.

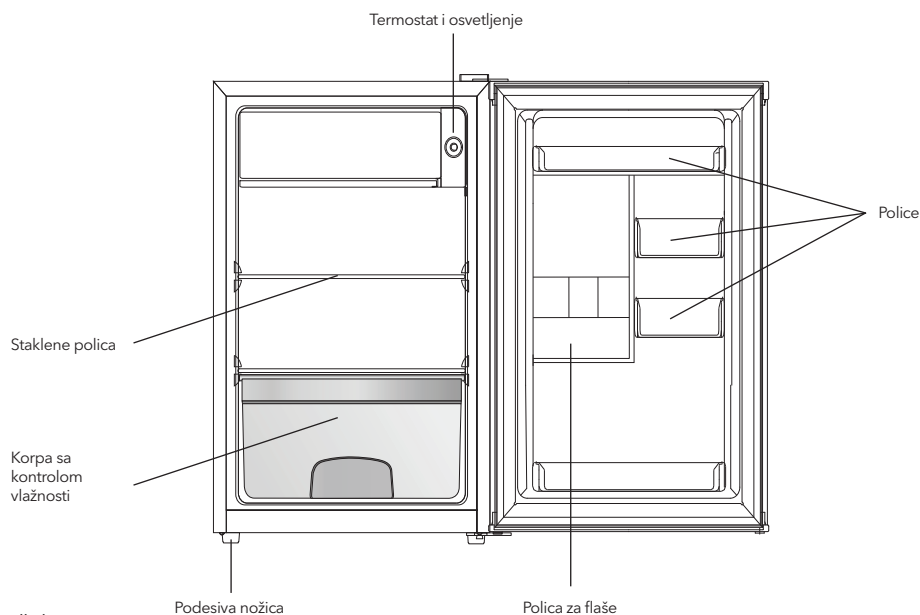
Molimo Vas da tokom upotrebe, servisiranja i odlaganja, uređaj držite dalje od izvora požara.

¹ Ukoliko u uređaju postoji.

² Ukoliko postoji deo za zamrzavanje.

³ Ukoliko postoji deo za čuvanje sveže hrane

PREGLED

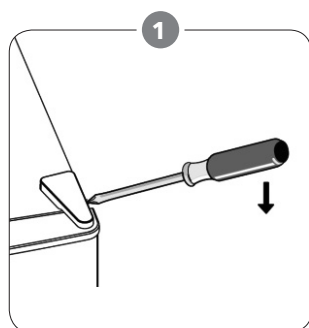


Ova ilustracija je samo okvirna, molimo vas da za detalje pogledajte svoj uređaj.

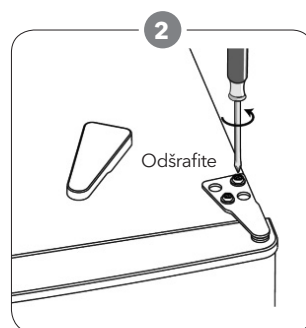
ZAMENA SMERA OTVARANJA VRATA

Potreban alat: Philips odvijač, ravni odvijač, šestougaoni ključ.

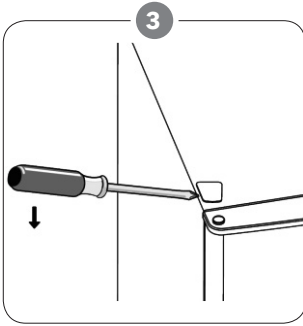
- Pobrinite se da uređaj bude isključen i prazan.
- Da biste skinuli vrata, potrebno je da uređaj nagnete unazad. Uređaj treba da bude postavljen na tvrdu podlogu, kako se ne bi dogodilo da isklizne prilikom zamene položaja vrata.
- Svi uklonjeni delovi moraju biti sačuvani radi ponovnog instaliranja vrata.
- Uređaj nemojte stavljati u horizontalan položaj, jer to može oštetiti sistem za hlađenje.
- Preporučuje se da dve osobe učestvuju u montiranju.



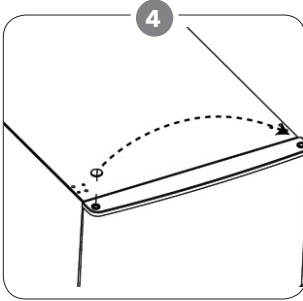
Uklonite gornji desni poklopac šarke.



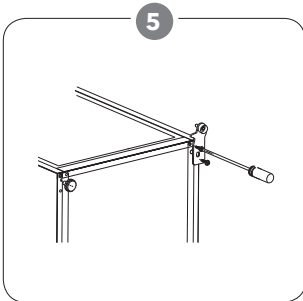
Odšrafite. Zatim uklonite podupirač šarke.



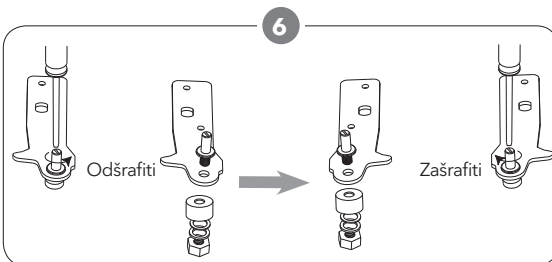
Uklonite gornji levi poklopac sa šrafa.



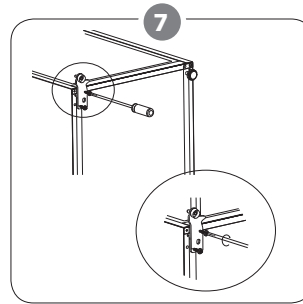
Pomerite poklopac sa leva nadesno. I zatim podignite gornja gornja vrata i odložite ih na meku podlogu da bi sprečili stvaranje ogrebotina.



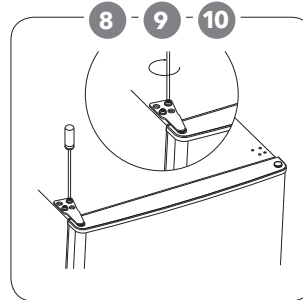
Odšrafite donju šarku. Zatim skinite nožice za podešavanje visine sa druge strane.



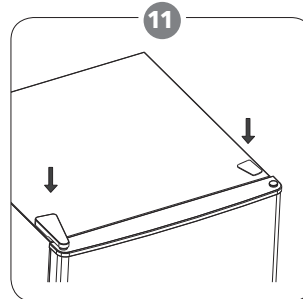
Odšrafite i skinite osovinu donje šarke pomoću ravnih odvijača, obrnite nosač i ponovo postavite osovinu.



Ponovo postavite nosač na osovinu donje šarke. Ponovo postavite nožice za podešavanje visine.



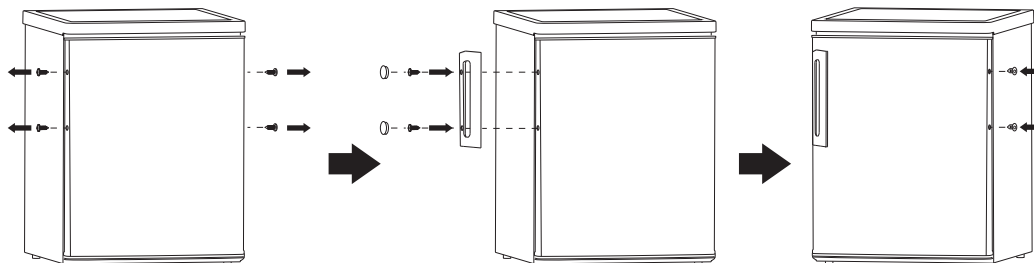
8. Ponovo postavite vrata. Pre nego što potpuno pričvrstite gornju šarku, postarajte se da vrata poravnate i po horizontalnoj i po vertikalnoj osi kako bi zaptivke nalegale sa svih strana.
9. Postavite nosač šarke i pričvrstite ga za gornji deo jedinice.
10. Ukoliko je potrebno, pričvrstite ključem.



Ponovo postavite oblogu šarke i poklopac šrafa.

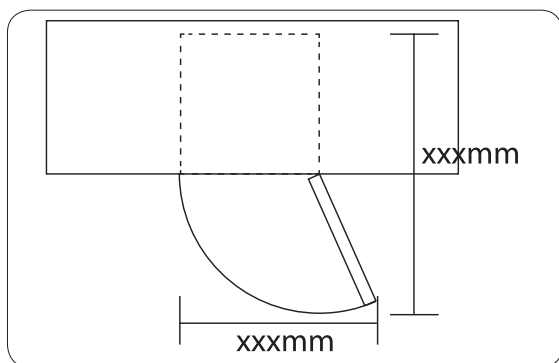
UGRADNJA UREĐAJA

Postavite ručku za vrata



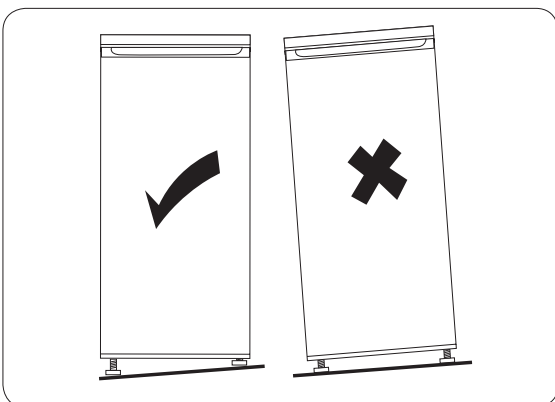
Potrebe prostora

- Ostavite dovoljno mesta za otvaranje vrata.
- Ostavite najmanje 50mm razmaka s obe strane



Nivelacija uređaja

Kako biste ovo uradili, podesite dve podesne nožice s prednje strane uređaja. Ukoliko uređaj nije nivelisan, vrata i magnetna guma neće pravilno prijanjati.



Postavljanje uređaj

Postavite ovaj uređaj na mesto, na kojem će sobna temperatura odgovarati klimatskom razredu, naznačenom na specifikaciji proizvođača:

Klimatska klasa	Sobna temperatura
SN	+10°C to +32°C
N	+16°C to +32°C
ST	+16°C to +38°C
T	+16°C to +43°C

Lokacija

Uređaj treba da bude postavljen daleko od izvora toplote, kao što su radijatori, bojleri, izlaganje direktnim sunčevim zracima itd. Postarajte se da vazduh slobodno cirkuliše oko zadnjeg dela frižidera, kako biste osigurali najbolju učinak. Ukoliko je uređaj postavljen ispod visećeg dela, minimalni razmak između vrha uređaja i visećeg dela treba da bude bar 100 mm. Idealno bi bilo da uređaj ne bude postavljen ispod visećeg dela. Odgovarajuća nivelacija se postiže uz pomoć jedne ili više podesnih nožica, u zavisnosti od uređaja.

⚠ UPOZORENJE!

Prekidanje napajanja uređaja mora biti omogućeno; iz tog razloga, utičnica mora biti dostupna nakon postavljanja uređaja.

Povezivanje na struju

Pre uključivanja, proverite da napon i frekvencija prikazana na tablici specifikacije odgovaraju naponu struje domaćinstva. Uređaj mora biti uzemljen. Kabl za napajanje električnom energijom je opremljen kontaktom za ovu namenu. Ukoliko utičnica u domaćinstvu nema uzemljenje, priključite uređaj na izdvojeno uzemljenje u skladu sa trenutnim propisima; konsultujte se sa kvalifikovanim električarem. Proizvođač ne snosi nikakvu odgovornost, ukoliko gore navedene preventivne mere nisu ispoštovane. Ovaj uređaj ispunjava uslove EEC direktiva.

DNEVNA UPOTREBA

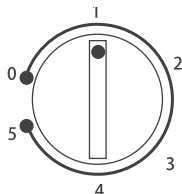
Prva upotreba

Čišćenje unutrašnjosti uređaja

Pre korišćenja uređaja po prvi put, očistite unutrašnjost i sve unutrašnje elemente mlakom vodom i neutralnim sapunom, kako biste uklonili tipičan miris novog proizvoda, a zatim ga dobro osušite

VAŽNO! Ne koristite deterdžente ili abrazivna sredstva, budući da mogu da oštete površinu.

Podešavanje temperature

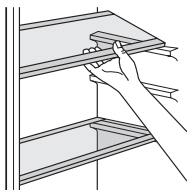


- Uključite svoj uređaj. Unutrašnju temperaturu reguliše termostat. Postoji 6 (8) nivoa temperature, 1 je najtopliji nivo, 5 (7) je najhladniji, i 0 znači da je uređaj isključen.
- Uređaj možda neće raditi na pravoj temperaturi, ako se nalazi u veoma toplom okruženju ili ako često otvarate vrata.

Prateći elementi

Police koje se mogu pomerati

Zidovi frižidera imaju niz žljebova, tako da se police mogu podešavati po želji.



Polozicioniranje policu u vratima

Kako bi se omogućilo držanje hrane ili pića u ambalaži različitih dimenzija, police na vratima se mogu postavljati na različitim visinama. Da podesite police, pratite sledeće korake:

- Korak 1: policu u vratima izvucite kako biste je izvadili.
- Korak 2: Odaberite odgovarajuću poziciju za policu i utisnite je u dve konveksne pločice sve dok je potpuno ne zablokirate.

Fioka za povrće

Fioka je adekvatna za držanje voća i povrća. Može se potpuno izvući.

Otapanje

Duboko zamrznuta ili zamrznuta hrana se, pre upotrebe, može otapati u odeljku za rashlađivanje ili na sobnoj temperaturi. Kako biste sprečili prelivanje kondenzovane vode prilikom otapanja u odeljku frižidera, smrznutu hranu stavite u tanjir ili činiju.

Korisni saveti

Kako biste dobili najbolji učinak:

- Ne čuvajte vruću hranu ili tečnosti koje isparavaju u frižideru
- Pokrijte ili uvijte hranu, naročito ako ima jak miris
- Rasporedite hranu tako da vazduh može da slobodno cirkuliše oko nje

Saveti za čuvanje hrane u frižideru

- Hrana (sve vrste): uvijte u polietilenske kese i stavite na staklene police iznad fioke za povrće.
- Radi sigurnosti, hranu na ovaj način čuvajte jedan dan, najviše dva.
- Kuvana hrana, hladna jela, itd...: treba ih pokriti i mogu se odložiti na bilo koju policu.
- Voće i povrće: treba da bude temeljno oprano i odloženo u fioke, namenjene za njihovo čuvanje.
- buter i sir: treba da budu stavljeni u specijalne posude koje ne propuštaju vazduh, ili zavijeni u aluminijumske folije ili polietilenske kese kako bi se uklonilo što više vazduha.
- Boce s mlekom/jogurtom: treba da budu zatvorene i da se čuvaju u policama na vratima.
- Banane, krompir, luk i beli luk, ukoliko nisu zapakovani, ne smeju biti čuvani u frižideru.

Čišćenje

Iz higijenskih razloga unutrašnjost uređaja, uključujući i unutrašnje elemente, treba čistiti redovno.

! OPREZ!

Uređaj ne sme biti povezan strujom tokom čišćenja. Postoji opasnost od strujnog udara! Pre čišćenja uređaja, isključite ga i prekinite dotok električne energije, ili isključite automatsku sklopku ili osigurač. Uređaj nikako ne čistite paročištačem. Vлага može da se nakupi u električnim komponentama, opasnost od strujnog udara! Vrela isparenja mogu dovesti do oštećenja plastičnih delova. Uređaj mora biti suv pre ponovne upotrebe.

VAŽNO! Eterična ulja i organski rastvarači mogu nagristi plastične delove, na primer limunov sok, ili sok od pomorandžine kore, karboksilne kiseline, sredstva za čišćenje koja sadrže sircetnu kiselinu.

- Ne dozvolite da ovakve supstance dođu u kontakt sa delovima uređaja.
- Nemojte koristiti abrazivna sredstva za čišćenje
- Uklonite hranu iz zamrzivača. Hranu čuvajte na hladnom mestu, i dobro je pokrijte.
- Isključite uređaj i prekinite dotok električne energije, ili isključite automatsku sklopku ili osigurač.
- Očistite uređaj i unutrašnje elemente tkaninom i mlakom vodom. Nakon čišćenja isperite čistom vodom i osušite krpom.
- Nagomilavanje prašine na kondenzatoru povećava utrošak energije. Zato je potrebno jednom godišnje mekom četkom ili usisivačem pažljivo očistiti kondenzator pozicioniran na poledini uređaja.¹
- Nakon što sve bude suvo, ponovo uključite uređaj.

¹ Ukoliko je kondenzator pozicioniran na poledini uređaja.

Menjanje sijalice

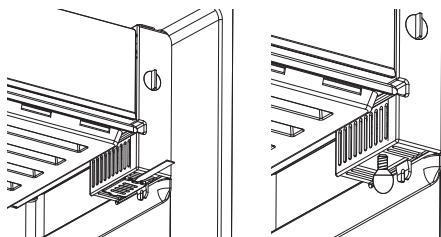
! OPREZ!

Pre zamene sijalice, trebalo bi da prekinete napajanje uređaja strujom.

Specifikacije sijalice su navedene na etiketi.

Pratite sledeće korake, kako biste zamenili sijalicu:

1. Postavite regulator temperature na "0" kako biste isključili uređaj.
2. Isključite aparat, kako biste bili sigurni, da uređaj nije povezan sa izvorom napajanja.
3. Uklonite šraf sa štitnika za sijalicu.
4. Skinite poklopac lampice ravnim odvijačem.
5. Odšrafite lampicu uz pomoć dva prsta.
6. Postavite novu lampicu rotiranjem u suprotnom smeru, a zatim ponovo postavite poklopac za lampicu.
7. Priključite uređaj na napajanje i okrenite toččić na odgovarajuću poziciju.



Otapanje zamrzivača

Vremenom će isparivač biti prekriven slojem leda. Njega treba ukloniti. Nikad ne koristite oštre metalne alate da biste skinuli led sa isparivača, budući da ga tako možete oštetiti. Međutim, ukoliko je sloj leda veoma debeo na isparivaču, proces odleđivanja treba obaviti na sledeći način:

- prekinete napajanje uređaja strujom;
- uklonite svu hranu iz uređaja, umotajte je u nekoliko slojeva novina i odložite je na hladno mesto;
- držite vrata otvorena, i postavite lavor ispod uređaja, kako bi se tu sakupljala odleđena voda;
- kada proces odleđivanja bude gotov, temeljno osušite

REŠAVANJE PROBLEMA

! OPREZ!

Pre rešavanja problema, prekinete napajanje električnom energijom. Samo kvalifikovani električar ili kompetentna osoba treba da reši problem koji nije naveden u ovom uputstvu.

VAŽNO! Postoje određeni zvukovi, koje uređaj proizvodi tokom normalne upotrebe (kompresor, rashladni deo uređaja).

Problem	Mogući uzrok	Rešenje
Uređaj ne radi	Regulator temperature je postavljen na "0".	Postavite regulator temperature na neki drugi broj, kako biste uključili uređaj.
	Uređaj nije priključen na strujno kolo.	Utaknite utikač.
	Osigurač je ispaao ili je neispravan.	Proverite osigurač, zamenite ga ako je potrebno.
	Utičnica je neispravna.	Kvarove utikača treba da popravi električar.
Hrana je pretopla.	Temperatura nije pravilno podešena.	Molimo vas, pogledajte odeljak za osnovni nivo temperature.
	Vrata su bila otvorena duže vremena.	Držite vrata otvorenim samo onoliko, koliko je potrebno.
	Velika količina tople hrane je stavljena u uređaj u poslednja 24 sata.	Podesite regulator temperature na privremeno na nižu temperaturu.
Uređaj previše hladi	Uređaj je blizu izvora toplote.	Molimo vas, pogledajte odeljak za lokaciju i instalaciju.
	Regulator temperature je podešen na hladno.	Podesite regulator temperature na privremeno na višu temperaturu
Neobični zvukovi	Uređaj nije nivelisan.	Ponovo podesite nožice.
	Uređaj dodiruje zid ili druge predmete.	Malo pomerite uređaj.
	Deo, kao što je cevovod na zadnjoj strani uređaja, dodiruje druge delove uređaja ili zid.	Ukoliko je potrebno, pažljivo uklonite deo koji predstavlja prepreku.

Ukoliko se kvar pojavi ponovo, kontaktirajte Servisni centar.

TESLA

tesla.info