

TESLA

MICROWAVE OVEN

MW2030MW

User Manual



Product images are for illustrative purposes only and may differ from the actual product.

PRECAUTIONS TO AVOID POSSIBLE EXPOSURE TO EXCESSIVE MICROWAVE ENERGY

- Do not attempt to operate this oven with the door open because this can result in harmful exposure to microwave energy. It is important not to break or tamper with the safety interlocks.
- Do not place any object between the oven front face and the door or allow soil or cleaner residue to accumulate on sealing surfaces.

⚠ WARNING!

- If the door or door seals are damaged, the oven must not be operated until it has been repaired by a qualified person.

ADDENDUM

If the appliance is not maintained in a good state of cleanliness, its surface could be degraded and affect the lifespan of the appliance and lead to a dangerous situation.

Specifications

Rated Voltage	230V~ 50Hz
Rated Input Power (Microwave)	1050W
Rated Output Power (Microwave)	700 W
Oven Capacity	20 L
Turntable Diameter	Ø 255 mm
External Dimensions	440x356x259mm
Net Weight	Approx. 10.24kg

IMPORTANT SAFETY INSTRUCTIONS

WARNING!

To reduce the risk of fire, electric shock, injury to persons or exposure to excessive microwave oven energy when using your appliance, follow basic precautions, including the following:

1. Read and follow the specific: "PRECAUTIONS TO AVOID POSSIBLE EXPOSURE TO EXCESSIVE MICROWAVE ENERGY".
2. This appliance can be used by children aged from 8 years and above and persons with reduced physical, sensory or mental capabilities or lack of experience and knowledge if they have been given supervision or instruction concerning use of the appliance in a safe way and understand the hazards involved. Children should not play with the appliance. Cleaning and user maintenance should not be done by children unless they are older than 8 and supervised. Children less than 8 years of age should be kept away unless continuously supervised.
3. Keep the appliance and its cord out of reach of children less than 8 years.
4. If the supply cord is damaged, it must be replaced by the manufacturer, its service agent or similarly qualified persons in order to avoid a hazard. (For appliance with type Y attachment)
5. **WARNING:** Ensure that the appliance is switched off before replacing the lamp to avoid the possibility of electric shock.
6. **WARNING:** It is hazardous for anyone other than a qualified person to carry out any service or repair

operation that involves the removal of a cover which gives protection against exposure to microwave energy.

7. **WARNING:** Liquids and other foods must not be heated in sealed containers since they are liable to explode.
8. When heating food in plastic or paper containers, keep an eye on the oven due to the possibility of ignition.
9. Only use utensils that are suitable for use in microwave ovens.
10. If smoke is emitted, switch off or unplug the appliance and keep the door closed in order to stifle any flames.
11. Microwave heating of beverages can result in delayed eruptive boiling, therefore care must be taken when handling the container.
12. The contents of feeding bottles and baby food jars shall be stirred or shaken and the temperature checked before consumption, in order to avoid burns.
13. Eggs in their shell and whole hard-boiled eggs should not be heated in microwave ovens since they may explode, even after microwave heating has ended.
14. The oven should be cleaned regularly and any food deposits removed.
15. Failure to maintain the oven in a clean condition could lead to deterioration of the surface that could adversely affect the lifespan of the appliance and possibly result in a hazardous situation.
16. The appliance must not be installed behind a decorative door in order to avoid overheating. (This is not applicable for appliances with decorative doors.)
17. Only use the temperature probe recommended for this oven. (for ovens provided with a facility to use a temperature-sensing probe.)
18. The microwave oven shall not be placed in a cabinet unless it has been tested in a cabinet.

19. The microwave oven must be operated with the decorative door open. (for ovens with a decorative door.)
20. This appliance is intended to be used in household and similar applications such as:
 - staff kitchen areas in shops, offices and other working environments;
 - by clients in hotels, motels and other residential type environments;
 - farm houses;
 - bed and breakfast type environments.
21. The microwave oven is intended for heating food and beverages. Drying of food or clothing and heating of warming pads, slippers, sponges, damp cloth and similar may lead to risk of injury, ignition or fire.
22. Metallic containers for food and beverages are not allowed during microwave cooking.
23. The appliance should not be cleaned with a steam cleaner.
24. The appliance is intended to be used freestanding.
25. The rear surface of appliances shall be placed against a wall.

READ CAREFULLY AND KEEP FOR FUTURE REFERENCE

To Reduce the Risk of Injury to Persons Grounding Installation

DANGER!

Electric Shock Hazard Touching some of the internal components can cause serious personal injury or death. Do not disassemble this appliance.

⚠ WARNING!**Electric Shock Hazard**

Improper use of the grounding can result in electric shock. Do not plug into an outlet until appliance is properly installed and grounded.

- This appliance must be grounded. In the event of an electrical short circuit, grounding reduces the risk of electric shock by providing an escape wire for the electric current. This appliance is equipped with a cord having a grounding wire with a grounding plug. The plug must be plugged into an outlet that is properly installed and grounded.
- Consult a qualified electrician or serviceman if the grounding instructions are not completely understood or if doubt exists as to whether the appliance is properly grounded.
- If it is necessary to use an extension cord, use only a 3-wire extension cord.
 1. A short power-supply cord is provided to reduce the risks resulting from becoming entangled in or tripping over a longer cord.
 2. If a long cord set or extension cord is used:
 - 1) The marked electrical rating of the cord set or extension cord should be at least as great as the electrical rating of the appliance.
 - 2) The extension cord must be a grounding-type 3-wire cord.
 - 3) The long cord should be arranged so that it will not drape over the counter top or tabletop where it can be pulled on by children or tripped over unintentionally.

CLEANING

Be sure to unplug the appliance from the power supply.

1. Clean the cavity of the oven after using with a slightly damp cloth.
2. Clean the accessories in the usual way in soapy water.
3. The door frame and seal and neighboring parts must be cleaned carefully with a damp cloth when they are dirty.
4. Do not use harsh abrasive cleaners or sharp metal scrapers to clean the oven door glass since they can scratch the surface, which may result in shattering of the glass.
5. Cleaning Tip---For easier cleaning of the cavity walls that the food cooked can touch: Place half a lemon in a bowl, add 300ml (1/2 pint) water and heat on 100% microwave power for 10 minutes. Wipe the oven clean using a soft, dry cloth.

UTENSILS

CAUTION! Personal Injury Hazard

It is hazardous for anyone other than a competent person to carry out any service or repair operation that involves the removal of a cover which gives protection against exposure to microwave energy.

See the instructions on "Materials you can use in microwave oven or to be avoided in microwave oven." There may be certain non-metallic utensils that are not safe to use for microwaving. If in doubt, you can test the utensil in question following the procedure below.

Utensil Test:

1. Fill a microwave-safe container with 1 cup of cold water (250ml) along with the utensil in question.

2. Cook on maximum power for 1 minute.
3. Carefully feel the utensil. If the empty utensil is warm, do not use it for microwave cooking.
4. Do not exceed 1-minute cooking time.

Materials you can use in microwave oven

Utensils	Remarks
Browning dish	Follow manufacturer's instructions. The bottom of browning dish must be at least 3/16 inch (5mm) above the turntable. Incorrect usage may cause the turntable to break.
Dinnerware	Microwave-safe only. Follow manufacturer's instructions. Do not use cracked or chipped dishes.
Glass jars	Always remove lid. Use only to heat food until just warm. Most glass jars are not heat resistant and may break.
Glassware	Heat-resistant oven glassware only. Make sure there is no metallic trim. Do not use cracked or chipped dishes.
Oven cooking bags	Follow manufacturer's instructions. Do not close with metal tie. Make slits to allow steam to escape.
Paper plates and cups	Use for short-term cooking/warming only. Do not leave oven unattended while cooking.
Paper towels	Use to cover food for reheating and absorbing fat. Use with supervision for a short-term cooking only.
Parchment paper	Use as a cover to prevent splattering or a wrap for steaming.
Plastic	Microwave-safe only. Follow the manufacturer's instructions. Should be labeled "Microwave Safe". Some plastic containers soften, as the food inside gets hot. "Boiling bags" and tightly closed plastic bags should be slit, pierced or vented as directed by package.
Plastic wrap	Microwave-safe only. Use to cover food during cooking to retain moisture. Do not allow plastic wrap to touch food.
Thermometers	Microwave-safe only (meat and candy thermometers).
Wax paper	Use as a cover to prevent splattering and retain moisture.

Materials to be avoided in microwave oven

Utensils	Remarks
Aluminum tray	May cause arcing. Transfer food into microwave-safe dish.
Food carton with metal handle	May cause arcing. Transfer food into microwave-safe dish.
Metal or metal-trimmed utensils	Metal shields the food from microwave energy. Metal trim may cause arcing.

Utensils	Remarks
Metal twist ties	May cause arcing and could cause a fire in the oven.
Paper bags	May cause a fire in the oven.
Plastic foam	Plastic foam may melt or contaminate the liquid inside when exposed to high temperature.
Wood	Wood will dry out when used in the microwave oven and may split or crack.

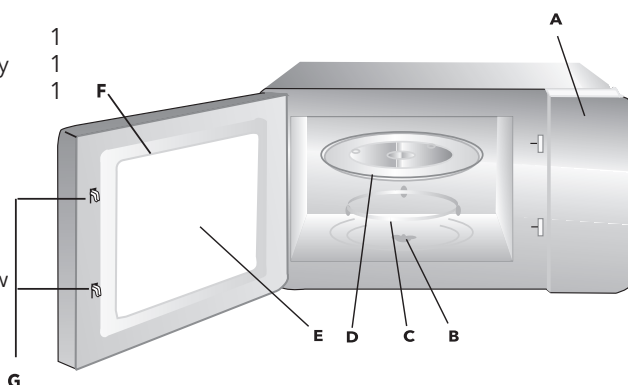
SETTING UP YOUR OVEN

Names of Oven Parts and Accessories

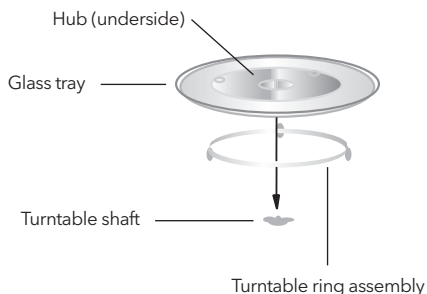
Remove the oven and all materials from the carton and oven cavity. Your oven comes with the following accessories:

Glass tray 1
Turntable ring assembly 1
Instruction Manual 1

- A) Control panel
B) Turntable shaft
C) Turntable ring assembly
D) Glass tray
E) Observation window
F) Door assembly
G) Safety interlock system



Turntable Installation



- Never place the glass tray upside down. The glass tray should never be restricted.
- Both glass tray and turntable ring assembly must always be used during cooking.
- All food and containers of food are always placed on the glass tray for cooking.
- If glass tray or turntable ring assembly cracks or breaks, contact your nearest authorized service center.

Countertop Installation

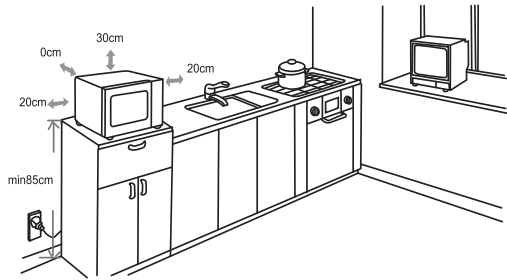
Remove all packing material and accessories. Examine the oven for any damage such as dents or broken door. Do not install if oven is damaged.

Cabinet: Remove any protective film found on the microwave oven cabinet surface. Do not remove the light brown Mica cover that is attached to the oven cavity to protect the magnetron.

INSTALLATION

1. Select a level surface that provides enough open space for the intake and/or outlet vents.

(1) The minimum installation height is 85cm.



- (2) The rear surface of appliance shall be placed against a wall. Leave a minimum clearance of 30cm above the oven, a minimum clearance of 20cm is required between the oven and any adjacent walls.
- (3) Do not remove the legs from the bottom of the oven.
- (4) Blocking the intake and/ or outlet openings can damage the oven.
- (5) Place the oven as far away from radios and TV as possible. Operation of microwave oven may cause interference to your radio or TV reception.

2. Plug your oven into a standard household outlet. Be sure the voltage and the frequency is the same as the voltage and the frequency on the rating label.

⚠ WARNING!

Do not install oven over a range cooktop or other heat-producing appliance. If installed near or over a heat source, the oven could be damaged and the warranty would be void.



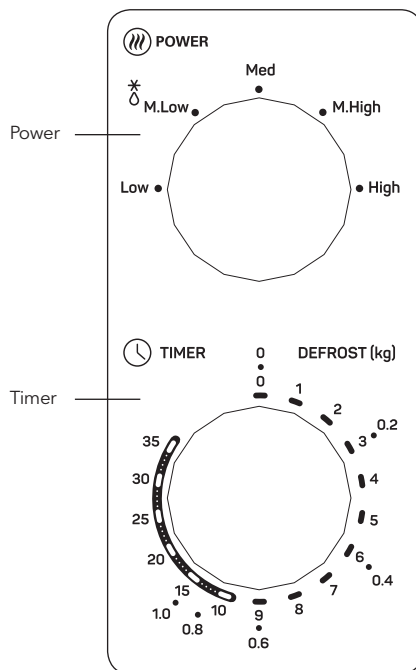
The accessible surface may be hot during operation.

OPERATION

Control Panel and Features

Operation Instructions

1. Set cooking power by turning the power knob to desired level.
2. Set the cooking time by turning the timer knob to the desired time according your food cooking guide.
3. The microwave oven will automatically start cooking after power level and time are set.
4. After the cooking time is up, the unit will "Dong" when finished.
5. If the unit is not in use, always set the time to "0".



Function/Power	Output	Application
Low	17% micro.	Soften ice cream
Med. Low (Defrost)	33% micro.	Soup stew, soften butter or defrost
Med.	55% micro.	Stew, fish
Med. High	77% micro.	Rice, fish, chicken, ground meat
High	100% micro.	Reheat, milk, boil water, vegetables, beverage

Notice: When removing food from the oven, please ensure that the oven power is switched off by turning the timer switch to 0 (zero). Failure to do so, and operating the microwave oven without food in it, can result in overheating and damage to the magnetron.

TROUBLESHOOTING

NORMAL	
Microwave oven interfering TV reception	Radio and TV reception may be interfered when microwave oven operating. It is similar to the interference of small electrical appliances, like mixer, vacuum cleaner, and electric fan. It is normal.
Dim oven light	In low power microwave cooking, oven light may become dim. It is normal.
Steam accumulating on door, hot air out of vents	In cooking, steam may come out of food. Most will get out from vents. But some may accumulate on cool place like oven door. It is normal.
Oven started accidentally with no food in.	It is forbidden to run the unit without any food inside. It is very dangerous.

TROUBLE	POSSIBLE CAUSE	REMEDY
Oven can not be started.	Power cord not plugged in tightly.	Unplug. Then plug again after 10 seconds.
	Fuse blowing or circuit breaker works.	Replace fuse or reset circuit breaker (repaired by professional personnel of our company)
	Trouble with outlet.	Test outlet with other electrical appliances.
Oven does not heat.	Door not closed well.	Close door well.

ENG



According to Waste of Electrical and Electronic Equipment (WEEE) directive, WEEE should be separately collected and treated. If at any time in future, you need to dispose of this product please do NOT dispose of this product with household waste. Please send this product to WEEE collecting points where available.

PREDOSTROŽNOSTI ZA IZBEGAVANJE MOGUĆEG PREKOMERNOG IZLAGANJA MIKROTALASNOJ ENERGIJI

- Ne pokušavajte da koristite ovu rernu sa otvorenim vratima jer to može rezultirati štetnim izlaganjem mikrotalasnoj energiji. Važno je ne lomiti ili ne rotirati bezbednosne spojeve.
- Ne postavljajte nikakve predmete između prednje strane rerne i vrata, ne dozvoljavajte nakupljanje prljavštine ili sredstava za čišćenje na površinama za dihtovanje.

⚠ UPOZORENJE!

- Ukoliko su vrata ili vratni dihtunzi oštećeni, rerna se ne sme koristiti dok ih ne zameni stručna osoba.

DODATAK

Ukoliko se uređaj ne održava čistim, to može uticati na njegovu površinu i radni vek i dovesti do opasnih situacija.

Specifikacije

Radni napon	230V~ 50Hz
Nominalna ulazna snaga (mikrotalasi)	1050W
Nominalna izlazna snaga (mikrotalasi)	700 W
Kapacitet rerne	20 L
Prečnik okretnog tanjira	Ø 255 mm
Spoljne dimenzije	440x356x259mm
Neto težina	Oko 10.24kg

VAŽNA SIGURNOSNA UPUTSTVA

UPOZORENJE!

Da biste smanjili rizik od požara, strujnog udara, povrede ili izlaganja prekomernoj energiji mikrotalasne rerne prilikom njenog korišćenja, sledite osnovne mere predostrožnosti koje uključuju sledeće:

1. Pročitajte i pratite: "MERE PREDOSTROŽNOSTI KAKO BISTE IZBEGLI MOGUĆU IZLOŽENOST PREKOMERENOJ MIKROTALASNOJ ENERGIJI".
2. Upozorenje: Uređaj mogu koristiti deca starija od 8 godina i osobe sa smanjenim fizičkim, senzornim i mentalnim sposobnostima ili nedostatkom iskustva i znanja samo ako su pod nadzorom ili su im data odgovarajuća uputstva, tako da mogu koristiti rernu na siguran način i da razumeveju opasnost usled neispravne upotrebe. Deca ne treba da se igraju sa ovim aparatom. Čišćenje i održavanje ne bi trebalo da obavljaju deca, osim ako su pod nadzorom i imaju više od 8 godina. Decu mlađu od 8 godina treba držati dalje od aparata, ukoliko nisu pod neprekidnim nadzorom.
3. Čuvajte aparat i njegove kablove van domašaja dece mlađe od 8 godina.
4. Ako je kabl za napajanje oštećen, mora ga zameniti proizvođač, njegov serviser ili slična kvalifikovana lica, kako bi se izbegla opasnost. (Za uređaj sa priborom tipa Y).
5. **UPOZORENJE:** Uverite se da je uređaj isključen pre nego što zamenite lampu kako biste izbegli mogućnost električnog udara.
6. **UPOZORENJE:** Opasno je za bilo koga osim kvalifikovane osobe da sprovede servisiranje ili popravku koja uključuje uklanjanje poklopca koji pruža zaštitu od izlaganja mikrotalasnoj energiji.

7. **UPOZORENJE:** Tečnosti i druga hrana se ne smeju zagrevati u zatvorenim posudama jer mogu da eksplodiraju.
8. Prilikom zagrevanja hrane u plastičnim ili papirnim posudama, pazite na rernu zbog mogućnosti paljenja.
9. Koristite samo posude koji su pogodne za upotrebu u mikrotalasnim rernama.
10. Ukoliko primetite dim, ugasite ili isključite uređaj iz struje, i držite zatvorena vrata rerne kako bi se vatra ugasila.
11. Mikrotalasno zagrevanje napitaka može dovesti do odloženog eruptivnog ključanja, stoga treba voditi računa prilikom rukovanja posudom.
12. Kako bi se izbegle opekotine, sadržaj dečjih flašica i teglica sa dečjom hranom treba promešati ili protresti pre konzumiranja i proveriti njegovu temperaturu.
13. Jaja u ljusci i tvrdo kuvana jaja ne bi trebalo zagrevati u mikrotalasnoj rerni jer mogu da eksplodiraju čak i nakon završetka grejanja u rerni.
14. Rernu bi trebalo redovno čistiti i uklanjati naslage hrane.
15. Neredovno čišćenje rerne može dovesti do propadanja njenih površina, što može skratiti njen vek trajanja i dovesti do opasnih situacija.
16. Uređaj se ne sme postaviti iza dekorativnih vrata kako bi se izbeglo pregrevanje (Ovo nije primenljivo za uređaje sa ukrasnim vratima).
17. Koristite samo sondu temeprature koja se preporučuje za ovu rernu (za rerne opremljene instalacijom za korišćenje sonde za proveru temperature).
18. Mikrotalasna rerna ne bi trebalo da bude postavljena u kuhinjske elemente osim ako nije testirana za to.
19. Prilikom rada, ukrasna vrata moraju ostati otvorena (za rerne sa dekorativnim vratima).

20. Aparat je namenjen upotrebi u domaćinstvu i sličnim objektima kao što su:
 - kuhinje za osoblje u prodavnicama, kancelarijama i drugim radnim okruženjima;
 - hoteli, moteli i druge smeštajne jedinice;
 - seoske kuće;
 - prenoćišta.
21. Mikrotalasna rena je namenjena za zagrevanje hrane i pića. Sušenje hrane ili odeće ili zagrevanje mokrih tkanina, papuča, sunđera, krpa i sličnih predmeta može dovesti do povrede, paljenja ili požara.
22. Tokom kuvanja u mikrotalasnoj reni nije dozvoljeno koristiti metalne posude za hranu i piće.
23. Uređaj ne treba čistiti paročistačem.
24. Uređaj treba da stoji samostalno, neprijubljen uz druge uređaje.
25. Zadnja strana uređaja trebalo bi da bude okrenuta prema zidu.

PROČITAJTE PAŽLJIVO I ČUVAJTE ZA BUDUĆU UPOTREBU

Za smanjenje rizika od fizičkih povreda
Uzemljenje

⚠ OPASNOST!

Opasnost od strujnog udara.
Dodirivanje nekih komponenti može da izazove ozbiljne povrede ili smrt. Ne rastavljajte ovaj uređaj.

⚠ UPOZORENJE!

Opasnost od strujnog udara.

Neispravno uzemljenje može da rezutira strujnim udarom.
Ne uključujte uređaj u utičnicu za struju dok ga ispravno ne instalirate i uzemljite.

- Ovaj uređaj mora da bude uzemljen. U slučaju kratkog strujnog spoja uzemljenje smanjuje opasnost od strujnog udara putem odvodne žice za električnu struju. Ovaj uređaj je opremljen uzemljenim strujnim kablom i utikačem sa kontaktom za uzemljenje. Utikač se mora ispravno uključiti u instaliranu i uzemljenu strujnu utičnicu.
- Konsultujte se sa kvalifikovanim električarem ili serviserom ukoliko u potpunosti ne razumete uputstva za uzemljenje ili ukoliko niste sigurni da li je uređaj pravilno uzemljen.
- Ukoliko je potrebno da koristite produžni kabl, koristite isključivo produžni kabl sa tri žice.
 1. Obezbeđen je kratak kabl za napajanje kako bi se smanjili rizici od zapetljanja ili spoticanja o duži strujni kabl.
 2. Ukoliko se koristi dugi strujni kabl ili produžni kabl:
 - 1) Nominalna snaga strujnog kabla ili produžnog kabla mora biti jednaka ili veća od nominalne snage uređaja.
 - 2) Produžni kabl mora da bude kabl uzemljenog tipa sa tri žice.
 - 3) Dugi strujni kabl treba da se sprovede tako da ne visi preko ivice radne površine ili stola gde mogu da ga povuku deca ili neko može slučajno da se saplete o njega.

ČIŠĆENJE

Obavezno isključite rernu iz strujne utičnice.

1. Nakon upotrebe očistite unutrašnjost rerne vlažnom krpom.
2. Dodatke očistite na uobičajeni način u vodi sa sapunicom.
3. Kada su prljavi, okvir vrata, zaptivku i okolne delove treba pažljivo očistiti vlažnom krpom.
4. Ne koristite jaka abrazivna sredstva za čišćenje ili oštre metalne strugalice za čišćenje vrata rerne, pošto oni mogu da ogrebu površinu, što može rezultirati razbijanjem stakla.

5. Savet za čišćenje - Za lakše čišćenje šupljine zidova koje skuvana hrana može da dodirne: Stavite pola limuna u činiju, dodajte 300 ml vode i zagrejte na 100% snage mikrotalasa na 10 minuta. Obrišite rernu mekom, suvom krpom.

POSUĐE

⚠ OPREZ! Opasnost od povreda

Servisiranje ili popravljanje koje uključuje uklanjanje poklopca koji štiti od izlaganja mikrotalasnoj energiji, opasno je za svakog osim za obučeno lice.

Pogledajte uputstva o "Materijalima koji mogu da se koriste u mikrotalasnoj rerni ili koje treba izbegavati". Postoji određeno nemetalno posuđe koje nije bezbedno za upotrebu u mikrotalasnoj rerni. Ukoliko postoji sumnja, posudu možete testirati na dole opisan način.

Test posuda:

1. Napunite posudu bezbednu za upotrebu u mikrotalasnoj rerni 1 šoljicom hladne vode (250ml), zajedno sa posudom koju testirate.
2. Kuvajte na maksimalnoj snazi 1 minut.
3. Pažljivo opipajte posudu. Ukoliko je prazna posuda topla, ne koristite je za kuvanje u mikrotalasnoj rerni.
4. Nemojte prekoračiti 1 minut kuvanja.

Materijali bezbedni za upotrebu u mikrotalasnoj rerni

Posuda	Napomene
Posuda koja služi da se u njoj zapeče jelo	Pridržavajte se uputstava proizvođača. Dno posude mora da bude minimalno 5mm iznad tanjira koji se okreće. Neispravna upotreba može da izazove pucanje tanjira.
Servis za jelo	Isključivo onaj koji je pogodan za upotrebu u mikrotalasnim rernama. Pridržavajte se uputstava proizvođača. Ne koristite napuklo ili oštećeno posuđe.

Posuda	Napomene
Staklene tegle	Uvek uklonite poklopac. Koristite za zagrevanje hrane dok ne bude topla. Većina tegli nije otporna na toplotu i može da pukne.
Stakleno posuđe	Koristite isključivo vatrostalno stakleno posuđe. Na sudovima nikako ne sme biti metalnih rubova. Ne koristite napuklo ili oštećeno posuđe.
Kese za kuvanje u rernama	Pridržavajte se uputstava proizvođača. Ne zatvarajte metalnom vezicom. Napravite otvore tako da para može da izlazi.
Papirnati tanjiri i šoljice	Koristite isključivo za kratkotrajno kuvanje / zagrevanje. Ne ostavljajte bez nadzora tokom kuvanja.
Papirne salвете	Koristite za prekrivanje hrane za podgrevanje i upijanje masnoće. Koristite pod nadzorom isključivo za kratkotrajno kuvanje.
Papir za kolače	Koristite kao poklopac kako biste sprečili prskanje ili kao omotač za kuvanje u pari.
Plastika	Isključivo ona koja je pogodna za upotrebu u mikrotalasnim rernama. Pridržavajte se uputstava proizvođača. Trebalo bi da bude označena sa "Microwave Safe". Neke plastične posude omekšavaju dok se hrana unutar njih zagreva. "Kese za kuvanje" i čvrsto zatvorene plastične kese prerezati, probušiti ili ostaviti otvorene prema uputstvu na pakovanju.
Plastična folija	Isključivo ona koja je pogodna za upotrebu u mikrotalasnim rernama. Koristite za prekrivanje hrane tokom kuvanja radi zadržavanja vlage. Plastična folija ne bi smela da dodiruje hranu.
Termometri	Isključivo oni koji su pogodni za upotrebu u mikrotalasnim rernama (Termometri za meso i kolače).
Masni papir	Koristite kao poklopac za sprečavanje prskanja i zadržavanje vlage.

Materijali nepogodni za upotrebu u mikrotalasnju rerni

Posuda	Napomene
Aluminijumski tanjir	Može da izazove varničenje. Premestite hranu u posudu pogodnu za mikrotalasne rerne.
Posude za hranu sa metalnom drškom	Može da izazove varničenje. Premestite hranu u posudu pogodnu za mikrotalasne rerne.

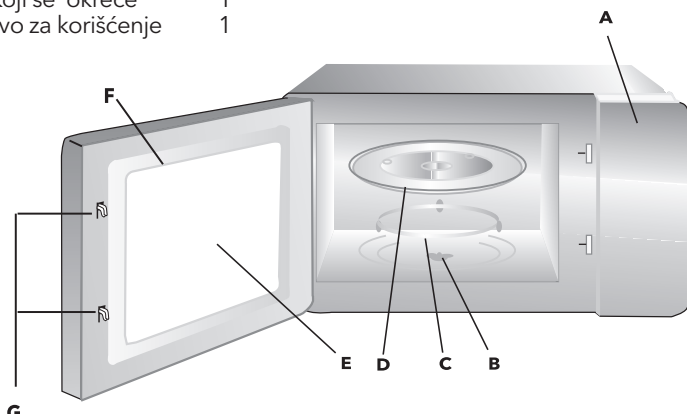
Posuda	Napomene
Metalne posude ili posude sa metalnom ivicom	Metal štiti hranu od mikrotalasne energije. Metalne ivice mogu da izazovu varničenje.
Metalne vezice	Mogu da izazovu varničenje i vatru unutar rerne.
Papirnate kese	Mogu da izazovu vatru u pećnici.
Stiropor	Stiropor može da se otopi ili kontaminira tečnost unutar rerne kada je izložen visokoj temperaturi.
Drvo	Prilikom upotrebe u mikrotalasnoj rerni drvo će se isušiti, i može i da naprsne.

POSTAVLJANJE RERNE

Nazivi delova rerne i dodatka

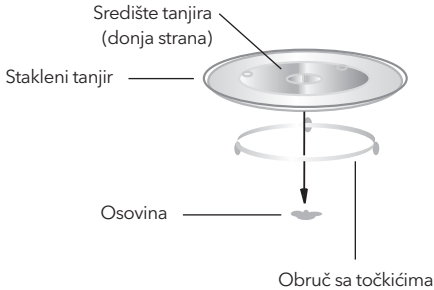
Uklonite rernu i sav materijal iz ambalaže i unutrašnjosti rerne. Uz vašu rernu priloženi su sledeći dodaci:

- Stakleni tanjir 1
- Tanjir koji se okreće 1
- Uputstvo za korišćenje 1



- A) Kontrolna ploča
- B) Osovina za okretanje
- C) Komplet obrtnog prstena
- D) Stakleni tanjir
- E) Prozor za posmatranje
- F) Vrata
- G) Sistem sigurnosnog blokiranja

Instalacija tanjira koji se okreće



- Nikada ne postavljajte stakleni tanjir naopako. Ništa ne sme da blokira stakleni tanjir.
- Stakleni tanjir i obruč sa točkicama uvek moraju da se koriste tokom kuvanja.
- Prilikom kuvanja, sva hrana i posude uvek treba staviti na stakleni tanjir.
- Ukoliko stakleni tanjir ili obruč sa točkicama naprsnu ili se slome, kontaktirajte najbliži ovlašćeni servisni centar.

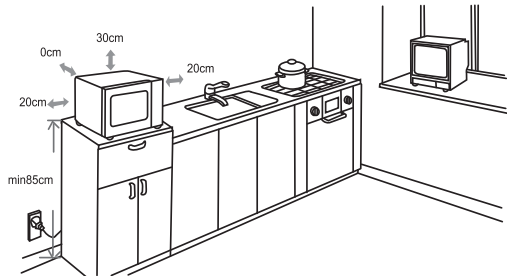
Instalacija na radnu površinu

Uklonite sav ambalažni materijal i dodatke. Proverite ima li oštećenja na reni, poput ogrebotina ili oštećenih vrata. Ne instalirajte pećnicu ukoliko je oštećena.

Kućište: Uklonite zaštitnu foliju sa površine kućišta mikrotalasne rerne. Ne uklanjajte svetlosmeđi liskun poklopac koji je pričvršćen za unutrašnjost rerne, a služi za zaštitu magnetrona.

INSTALACIJA

- Izaberite ravnu površinu sa dovoljno slobodnog prostora za dovod/odvod ventilacionog sistema rerne.



- (1) Minimalna visina ugradnje je 85cm.

- (2) Uređaj se postavlja zadnjom stranom uz zid. Iznad rerne ostavite minimalno 30cm slobodnog prostora, a potrebno je najmanje 20 cm između rerne i susednih zidova.

- (3) Ne uklanjajte nožice sa dna rerne.

- (4) Blokiranje ulaza i/ili izlaza za vazduh može da ošteti reru.

- (5) Postavite rernu što je dalje moguće od radija i tv prijemnika. Rad mikrotalasne rerne može da izazove smetnje u vašem radijskom ili televizijskom prijemu.
2. Uključite rernu u standardnu kućnu strujnu utičnicu. Napon i frekvencija treba da odgovaraju naponu i frekvenciji rerne, koji su navedeni na etiketi sa tehničkim podacima.

⚠ UPOZORENJE!

Ne postavljajte rernu iznad šporeta ili drugih toplotnih uređaja. Ukoliko se se instalira u blizini ili iznad izvora toplote, rerna bi se mogla oštetiti, i na taj način bi se mogla poništiti garancija za ovaj proizvod.

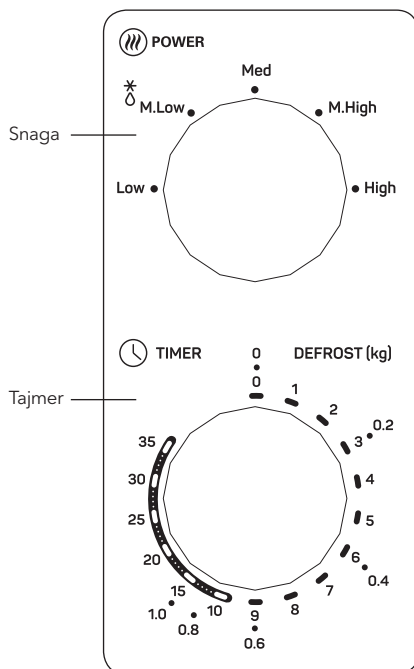


Dostupna površina može biti vruća tokom rada.

UPOTREBA

Kontrolna tabla i funkcije - uputstvo za upotrebu

1. Za podešavanje snage kuvanja postavite dugme snage na željeni nivo.
2. Za postavljanje trajanja kuvanja postavite dugme tajmera na željeni nivo prema vrsti hrane, na osnovu uputstva za kuvanje.
3. Mikrotalasna rerna automatski će da započne s kuvanjem nakon što odredite nivo snage i trajanje kuvanja.
4. Nakon isteka vremena kuvanja, uređaj će vas upozoriti zvučnim signalom.
5. Ukoliko se uređaj ne koristi, uvek postavite vreme trajanja kuvanja na "0".



Funkcija/Snaga	Izlaz	Primena
Niska	17% mikro.	Omekšavanje sladoleda
Sr.niska (odmrzavanje)	33% mikro.	Čorbe, omekšavanje putera ili odmrzavanje
Srednja	55% mikro.	Gulaš, riba
Srednje visoka	77% mikro.	Pirinač, riba, pileтина, mleveno meso
Visoka	100% mikro.	Podgrevanje, mleko, kuvanje vode, povrće, napici

Pažnja: Pre nego što izvadite hranu iz rerne, molimo da isključite rernu postavljanjem tajmera na položaj 0 (nula). Rad rerne bez hrane u njoj može da uzrokuje pregrevanje i oštećenje magnetrona.

OTKLANJANJE PROBLEMA

NORMALNO	
Mikrotalasna ometa TV prijem	Tokom rada mikrotalasna rerna može ometati radio i TV prijem. To je slično interferenciji malih kućnih aparata, kao što su mikser, usisivač i fen za kosu. To je normalno.
Prigušeno svetlo u rerni	Prilikom kuvanja niskom snagom mikrotalasa, svetlo rerne može postati prigušeno. To je normalno.
Na vratima se kondenzuje vlaga, vruć vazduh izlazi iz otvora	Tokom kuvanja iz hrane može izlaziti para. Veći deo će izaći kroz ventilacione otvore, ali deo se može kondenzovati na hladnijim mestima poput vrata rerne. To je normalno.
Rerna je slučajno uključena bez hrane u njoj	Zabranjeno je koristiti praznu rernu, bez hrane u njoj. To je veoma opasno.

PROBLEM	MOGUĆI UZROK	REŠENJE
Rerna se ne može pokrenuti	Strujni kabl nije ispravno uključen	Isključite kabl, pa ga nakon 10 sekundi ponovno uključite
	Neispravan osigurač ili prekidač	Zamenite osigurač ili prekidač (uslugu vrši stručno osoblje naše kompanije)
	Problem sa utičnicom	Testirajte utičnicu na drugim električnim uređajima.

PROBLEM	MOGUĆI UZROK	REŠENJE
Rerna se ne zagreva	Vrata nisu dobro zatvorena	Dobro zatvorite vrata



Prema odredbi o odlaganju električne i elektronske opreme, takva oprema treba da se posebno sakuplja i obrađuje. Ukoliko u nekom trenutku treba da bacite ovaj uređaj, molimo da ga NE bacate u đubre zajedno sa ostalim kućnim otpadom, već tamo gde je za to unapred određeno mesto. Ukoliko je moguće, molimo vas pošaljite ovaj uređaj u centar za prikupljanje električne i elektronske opreme.

TESLA

tesla.info